

REVISIONS			
REV	DESCRIPTION	DATE	APPROVED
B	REVISED PER NEW REQUIREMENTS	04/04/2023	R.L.

NOTES:

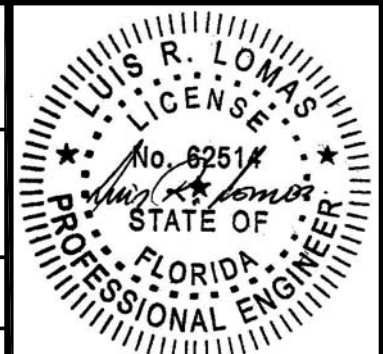
1. THE PRODUCT SHOWN HEREIN IS DESIGNED AND MANUFACTURED TO COMPLY WITH REQUIREMENTS OF THE FLORIDA BUILDING CODE INCLUDING THE HVHZ.
2. WOOD FRAMING AND MASONRY OPENING TO BE DESIGNED AND ANCHORED TO PROPERLY TRANSFER ALL LOADS TO STRUCTURE. FRAMING AND MASONRY OPENING IS THE RESPONSIBILITY OF THE ARCHITECT OR ENGINEER OF RECORD.
3. WHERE SHIM OR BUCK THICKNESS IS LESS THAN 1-1/2" UNITS MUST BE ANCHORED THROUGH THE FRAME IN ACCORDANCE WITH MANUFACTURER'S PUBLISHED INSTALLATION INSTRUCTIONS. ANCHORS SHALL BE SECURELY FASTENED DIRECTLY INTO MASONRY, CONCRETE OR OTHER STRUCTURAL SUBSTRATE MATERIAL.
4. WHERE WOOD BUCK THICKNESS IS 1-1/2" OR GREATER, BUCK SHALL BE SECURELY FASTENED TO MASONRY, CONCRETE OR OTHER STRUCTURAL SUBSTRATE. UNITS MAY BE ANCHORED THROUGH FRAME TO SECURED WOOD BUCK IN ACCORDANCE WITH MANUFACTURER'S PUBLISHED INSTALLATION INSTRUCTIONS.
5. WHERE 1X BUCK IS NOT USED DISSIMILAR MATERIALS MUST BE SEPARATED WITH APPROVED COATING OR MEMBRANE. SELECTION OF COATING OR MEMBRANE IS THE RESPONSIBILITY OF THE ARCHITECT OR ENGINEER OF RECORD.
6. BUCKS SHALL EXTEND BEYOND UNIT FRAME INTERIOR FACE SO THAT FULL FRAME SUPPORT IS PROVIDED.
7. FOR FIN INSTALLATION SHIM AS NEEDED. FOR FRAME INSTALLATION SHIM AS REQUIRED AT EACH ANCHOR LOCATION WITH LOAD BEARING SHIM. SHIM WHERE SPACE OF 1/16" OR GREATER OCCURS. MAXIMUM ALLOWABLE SHIM STACK TO BE 1/4".
8. SHIMS SHALL BE LOCATED, APPLIED AND MADE FROM MATERIALS AND THICKNESS CAPABLE OF SUSTAINING APPLICABLE LOADS.
9. WIND LOAD DURATION FACTOR Cd=1.6 WAS USED FOR WOOD ANCHOR CALCULATIONS.
10. FRAME MATERIAL: EXTRUDED ALUMINUM 6063-T5.
11. UNITS MUST BE GLAZED PER ASTM E1300, SEE SHEET 2 FOR GLASS DETAILS.
12. APPROVED IMPACT PROTECTIVE SYSTEM IS NOT REQUIRED FOR THIS PRODUCT IN WIND BORNE DEBRIS REGIONS.
13. FOR ANCHORING THROUGH FRAME INTO WOOD FRAMING OR 2X BUCK USE #10 WOOD SCREWS WITH SUFFICIENT LENGTH TO ACHIEVE A 1 1/4" MINIMUM EMBEDMENT INTO SUBSTRATE. LOCATE ANCHORS AS SHOWN IN ELEVATIONS AND INSTALLATION DETAILS.

14. FOR ANCHORING THROUGH FRAME INTO MASONRY/CONCRETE USE 3/16" TAPCONS WITH SUFFICIENT LENGTH TO ACHIEVE A 1 1/4" MINIMUM EMBEDMENT INTO SUBSTRATE WITH 2" MINIMUM EDGE DISTANCE. LOCATE ANCHORS AS SHOWN IN ELEVATIONS AND INSTALLATION DETAILS.
15. FOR ANCHORING THROUGH FRAME INTO METAL STRUCTURE USE #10 SMS OR SELF DRILLING SCREWS WITH SUFFICIENT LENGTH TO ACHIEVE 3 THREADS MINIMUM BEYOND STRUCTURE INTERIOR WALL. LOCATE ANCHORS AS SHOWN IN ELEVATIONS AND INSTALLATION DETAILS.
16. ALL FASTENERS TO BE CORROSION RESISTANT.
17. INSTALLATION ANCHORS SHALL BE INSTALLED IN ACCORDANCE WITH ANCHOR MANUFACTURER'S INSTALLATION INSTRUCTIONS AND ANCHORS SHALL NOT BE USED IN SUBSTRATES WITH STRENGTHS LESS THAN THE MINIMUM STRENGTH SPECIFIED BELOW:
 - A. WOOD: MINIMUM SPECIFIC GRAVITY OF G=0.42
 - B. CONCRETE: MINIMUM COMPRESSIVE STRENGTH OF 2,000 PSI.
 - C. MASONRY: HOLLOW/FILLED BLOCK PER ASTM C90 WITH Fm=2,000PSI MINIMUM.
 - D. METAL STRUCTURE: STEEL 18GA (.048") FY=33KSI/FU=52KSI OR ALUMINUM 6063-T5 FU=30KSI 1/8" THICK MINIMUM

TABLE OF CONTENTS	
SHEET NO.	DESCRIPTION
1	NOTES
2	ELEVATION AND GLAZING DETAIL
3 - 5	INSTALLATION DETAILS
6	COMPONENTS

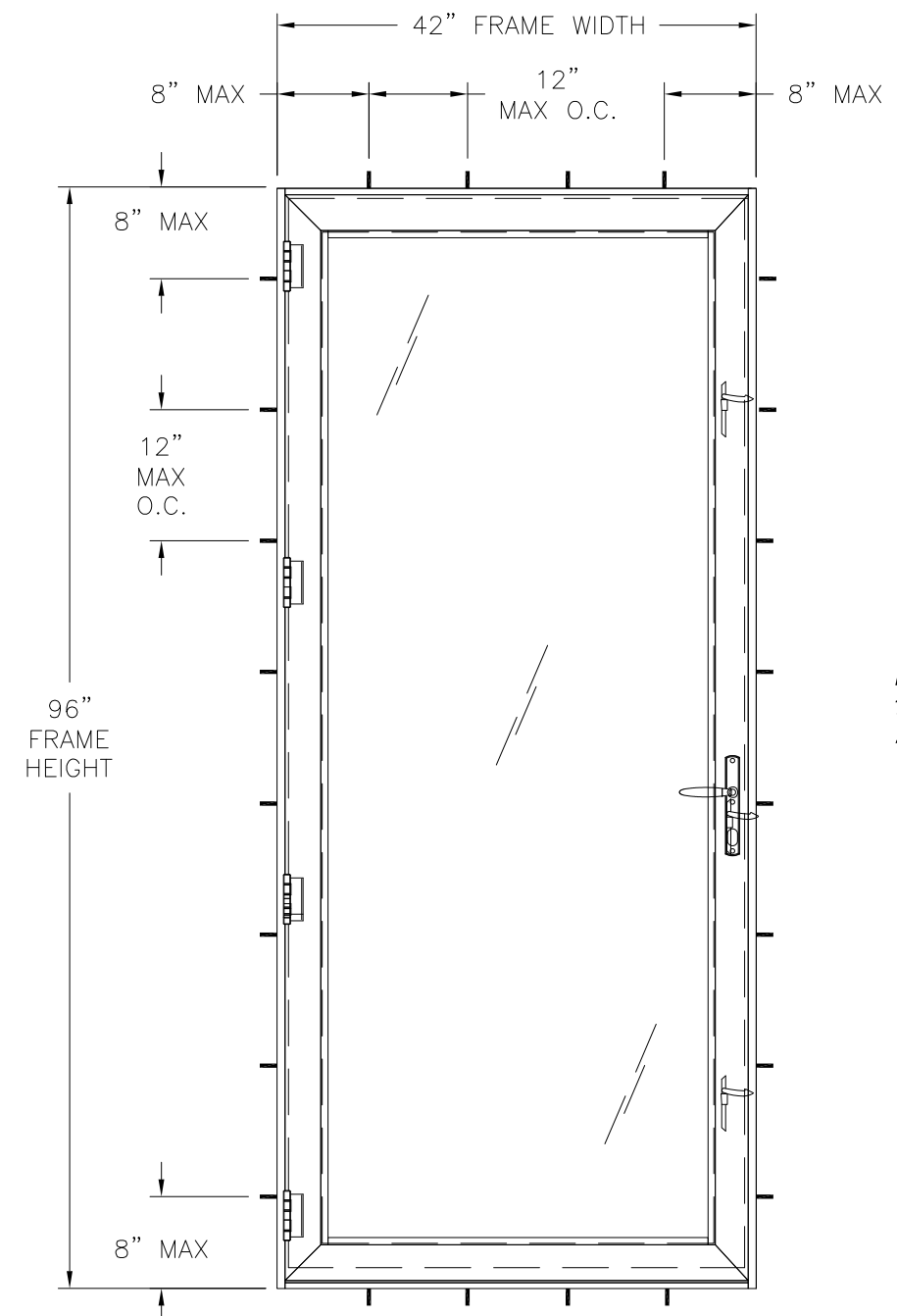
US ALUMINUM 950 SOLON RD. WAXAHACHIE, TX 75165		
D900 OS HINGED DOOR - ACCESSIBLE THRESHOLD W/STANDARD OR 10" BOTTOM RAIL L.M.I. NOTES		
DRAWN: A.R.	DWG NO. 08-03296	REV B
SCALE NTS	DATE 01/02/19	SHEET 1 OF 6
L. ROBERTO LOMAS P.E. 400 S. PALM AVE, INDIALANTIC, FL 32903 434-688-0609 rllomas@lrlomaspe.com		

SIGNED: 04/04/2023

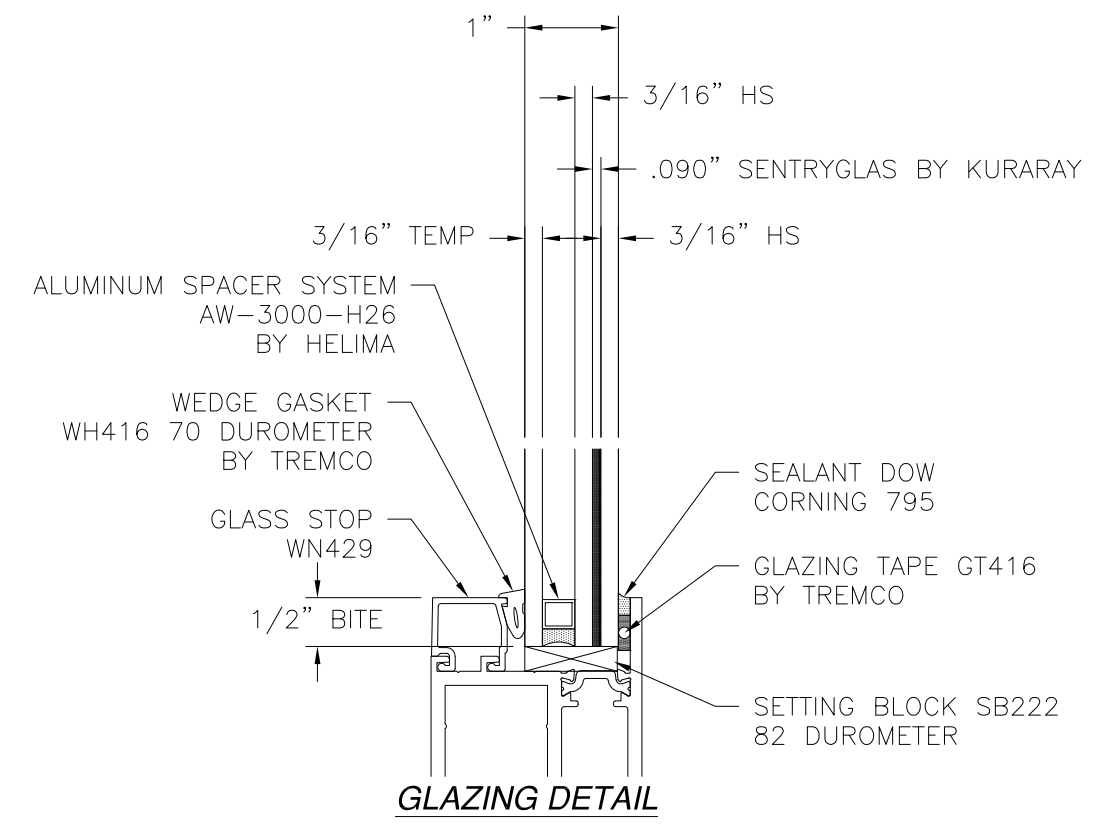


Luis R. Lomas P.E.
FL No.: 62514

REVISIONS			
REV	DESCRIPTION	DATE	APPROVED
B	REVISED PER NEW REQUIREMENTS	04/04/2023	R.L.



NOTES:
 1. PANEL SIZE: 40 9/16" x 95 5/8"
 2. D.L.O.: 33" x 87 1/16"



D900 ALUMINUM TERRACE DOOR
 EXTERIOR VIEW

DESIGN PRESSURE RATING	IMPACT RATING
±80.0PSF	LARGE AND SMALL MISSILE IMPACT

MISSILE LEVEL D, WIND ZONE 4, AND HVHZ
 42" X 96" FRAME SHOWN. OTHER SIZES APPROVED AS LONG AS FRAME AREA DOES NOT EXCEED 28.0" FT²
 STANDARD BOTTOM RAIL SHOWN, 10" BOTTOM RAIL SIMILAR

HARDWARE SCHEDULE

A.	(1) HERITAGE O-S ACT45.5/31.5 CYL TH97715, 36" FROM SILL
B.	(1) ATHINAI M156/216N LOCK - SOLID BRASS W/DEADBOLT, 42" FROM SILL (ALTERNATE)
C.	(1) DEADBOLT STRIKE TH701 SECURED AT JAMB
D.	(1) TONGUE STRIKE TH702 SECURED AT JAMB
E.	(2) SHOOT BOLT STRIKE TH703 AT HEAD AND SILL
F.	(4) HINGE ASSEMBLY WH751 AT 8" FROM HEAD AND SILL AND EQUALLY SPACED ALONG HINGE STILE

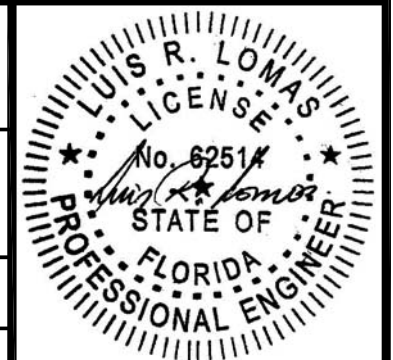
SIGNED: 04/04/2023

US ALUMINUM
 950 SOLON RD.
 WAXAHACHIE, TX 75165

D900 OS HINGED DOOR – ACCESSIBLE THRESHOLD
 W/STANDARD OR 10" BOTTOM RAIL L.M.I.
 ELEVATION AND GLAZING DETAIL

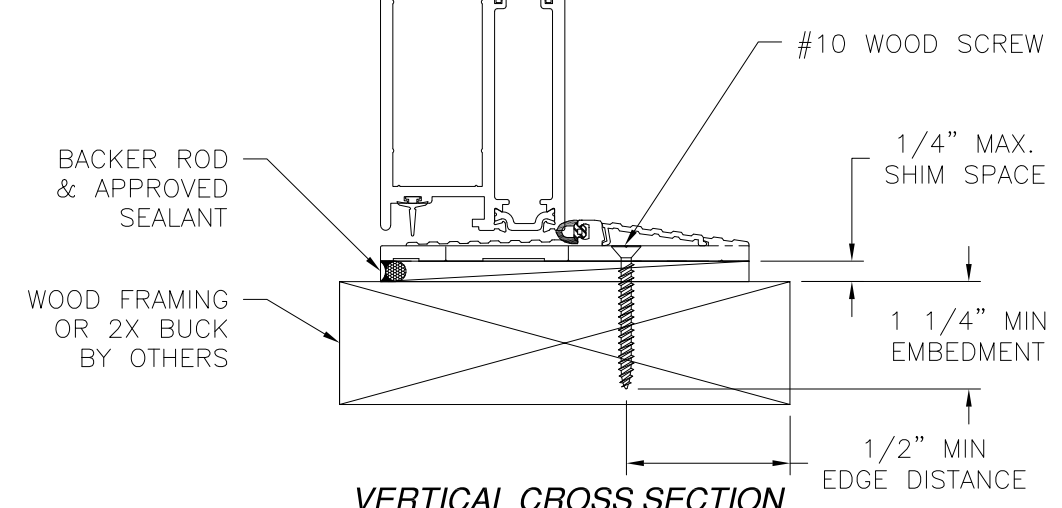
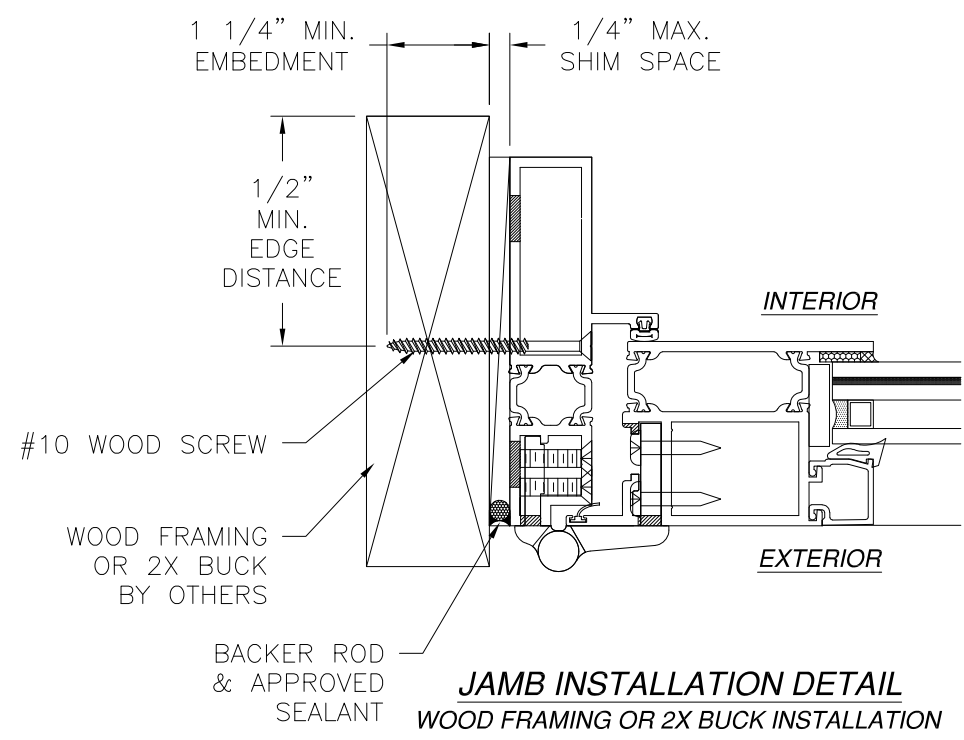
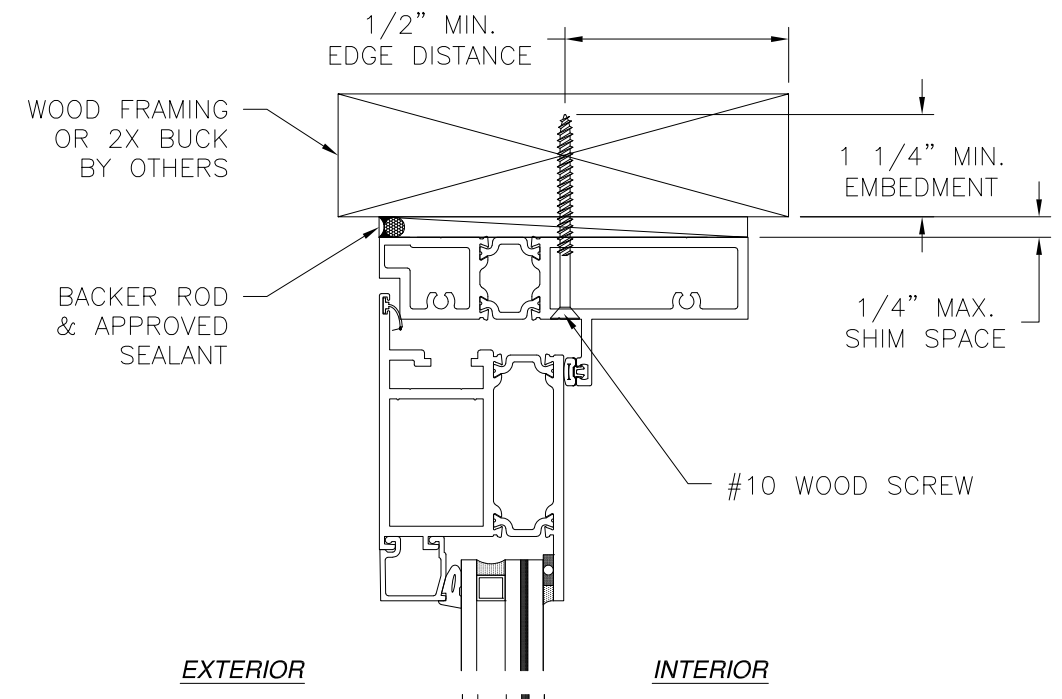
DRAWN: A.R.	DWG NO. 08-03296	REV B
SCALE NTS	DATE 01/02/19	SHEET 2 OF 6

L. ROBERTO LOMAS P.E.
 400 S. PALM AVE, INDIALANTIC, FL 32903
 434-688-0609 rllomas@lrlomaspe.com



Luis R. Lomas P.E.
 FL No.: 62514

REVISIONS			
REV	DESCRIPTION	DATE	APPROVED
B	REVISED PER NEW REQUIREMENTS	04/04/2023	R.L.



VERTICAL CROSS SECTION
 WOOD FRAMING OR 2X BUCK INSTALLATION
 10" BOTTOM RAIL SHOWN, STANDARD RAIL SIMILAR

- NOTES:**
1. INTERIOR AND EXTERIOR FINISHES, BY OTHERS, NOT SHOWN FOR CLARITY.
 2. PERIMETER AND JOINT SEALANT BY OTHERS TO BE DESIGNED IN ACCORDANCE WITH ASTM E2112

SIGNED: 04/04/2023

US ALUMINUM
 950 SOLON RD.
 WAXAHACHIE, TX 75165

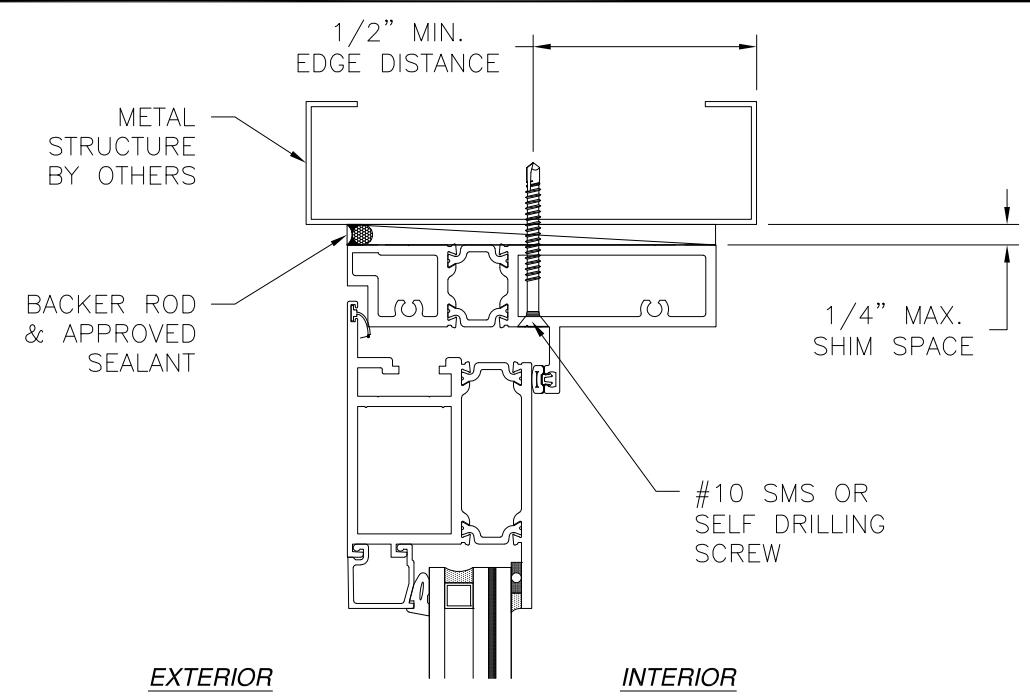
D900 OS HINGED DOOR – ACCESSIBLE THRESHOLD
 W/STANDARD OR 10" BOTTOM RAIL L.M.I.
 INSTALLATION DETAILS

DRAWN: A.R.	DWG NO. 08-03296	REV B
SCALE NTS	DATE 01/02/19	SHEET 3 OF 6

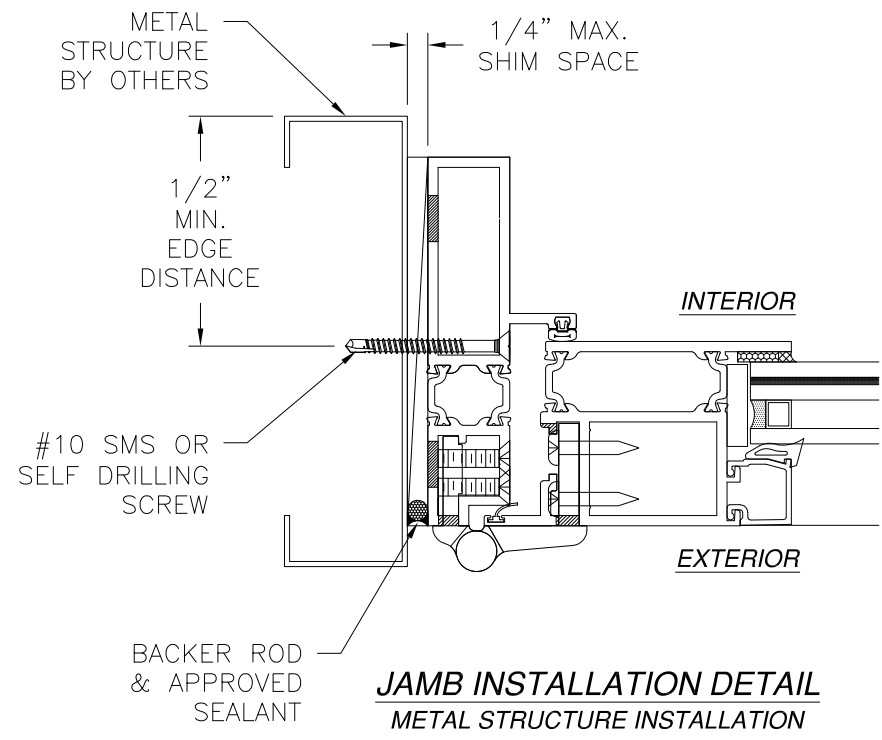
L. ROBERTO LOMAS P.E.
 400 S. PALM AVE, INDIALANTIC, FL 32903
 434-688-0609 rllomas@lrlomaspe.com

Luis R. Lomas P.E.
 FL No.: 62514

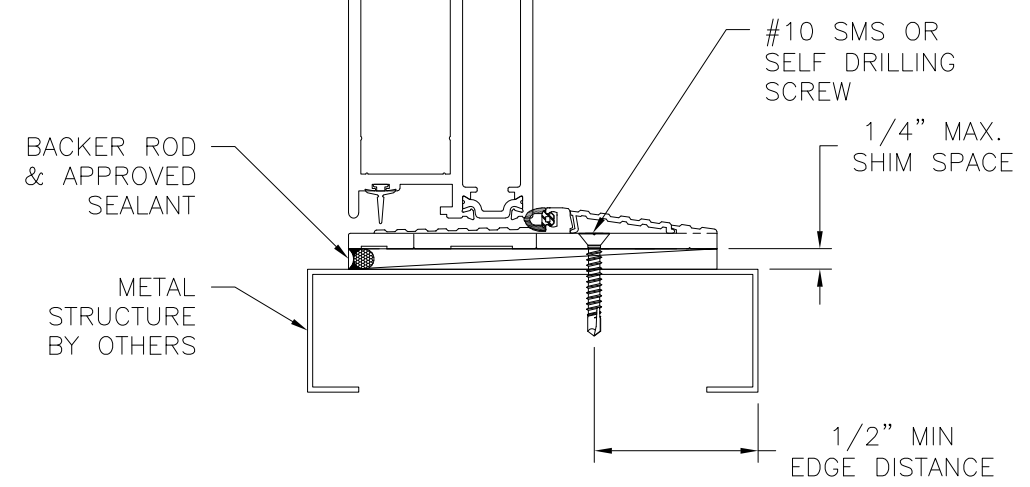
REVISIONS			
REV	DESCRIPTION	DATE	APPROVED
B	REVISED PER NEW REQUIREMENTS	04/04/2023	R.L.



EXTERIOR INTERIOR



JAMB INSTALLATION DETAIL
METAL STRUCTURE INSTALLATION

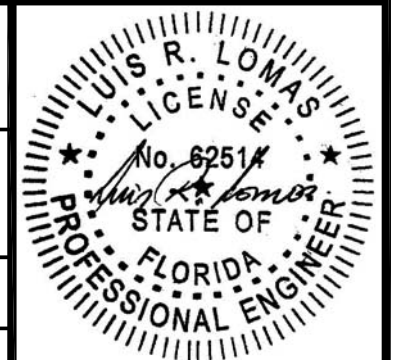


VERTICAL CROSS SECTION
METAL STRUCTURE INSTALLATION
10" BOTTOM RAIL SHOWN, STANDARD RAIL SIMILAR

- NOTES:**
1. INTERIOR AND EXTERIOR FINISHES, BY OTHERS, NOT SHOWN FOR CLARITY.
 2. PERIMETER AND JOINT SEALANT BY OTHERS TO BE DESIGNED IN ACCORDANCE WITH ASTM E2112

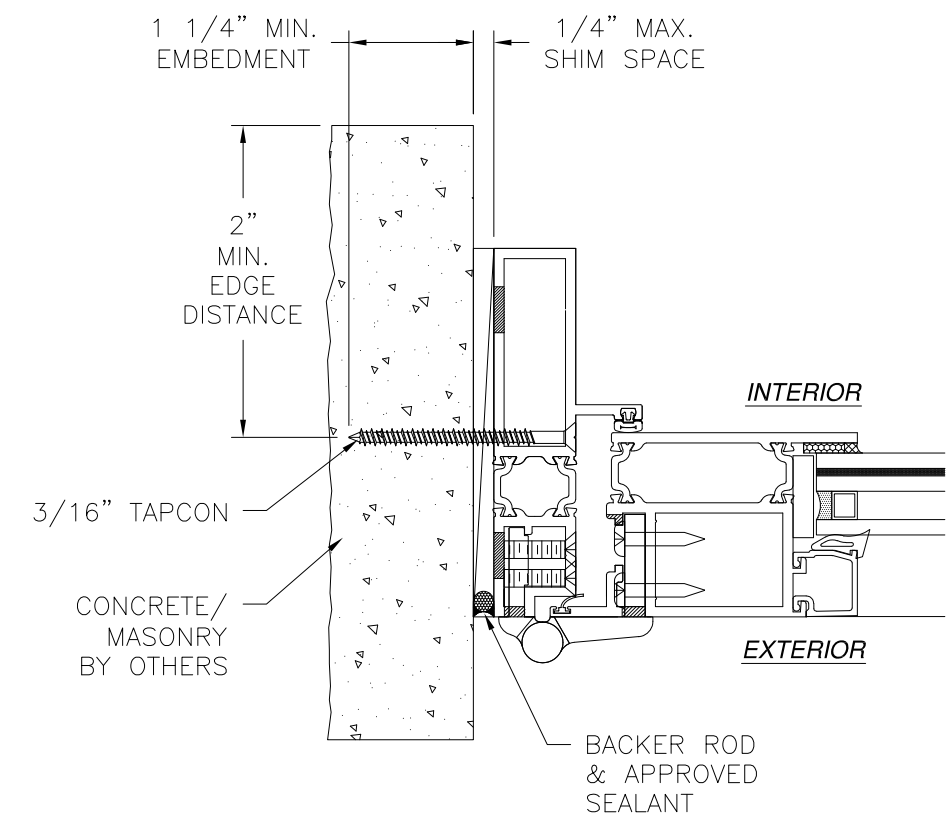
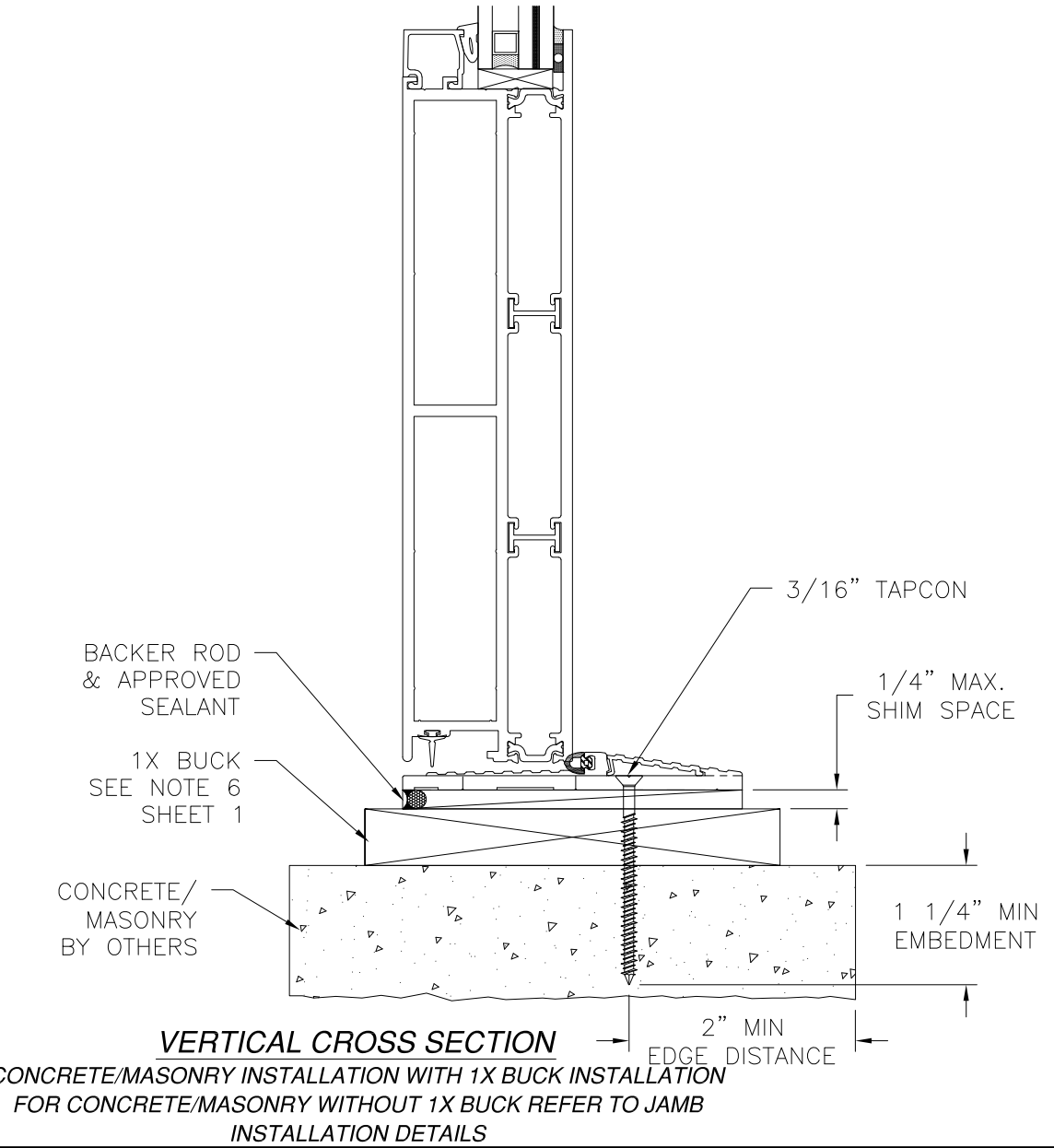
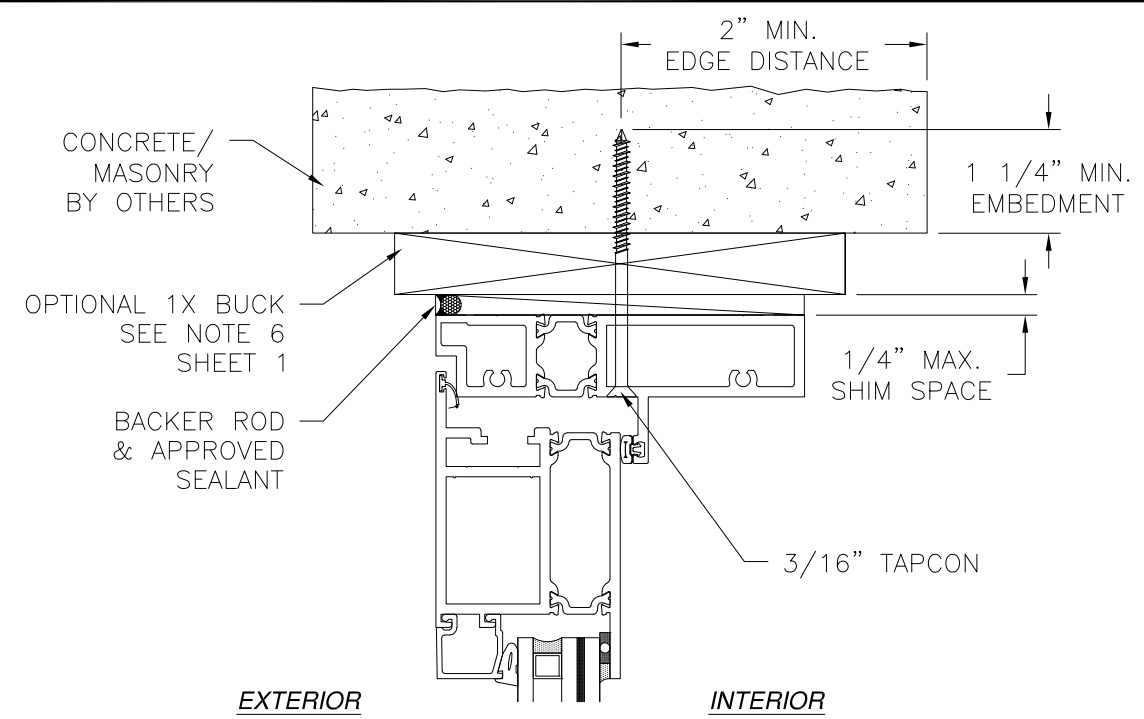
SIGNED: 04/04/2023

US ALUMINUM 950 SOLON RD. WAXAHACHIE, TX 75165		
D900 OS HINGED DOOR – ACCESSIBLE THRESHOLD W/STANDARD OR 10" BOTTOM RAIL L.M.I. INSTALLATION DETAILS		
DRAWN: A.R.	DWG NO. 08-03296	REV B
SCALE NTS	DATE 01/02/19	SHEET 4 OF 6
L. ROBERTO LOMAS P.E. 400 S. PALM AVE, INDIALANTIC, FL 32903 434-688-0609 rllomas@rlomaspe.com		



Luis R. Lomas P.E.
FL No.: 62514

REVISIONS			
REV	DESCRIPTION	DATE	APPROVED
B	REVISED PER NEW REQUIREMENTS	04/04/2023	R.L.

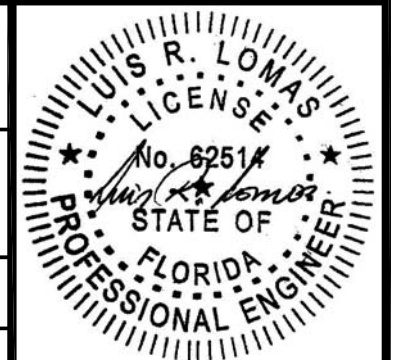


JAMB INSTALLATION DETAIL
 CONCRETE/MASONRY WITHOUT 1X BUCK INSTALLATION
 FOR CONCRETE/MASONRY INSTALLATION WITH 1X BUCK REFER
 TO HEAD AND SILL INSTALLATION DETAILS

- NOTES:**
1. INTERIOR AND EXTERIOR FINISHES, BY OTHERS, NOT SHOWN FOR CLARITY.
 2. PERIMETER AND JOINT SEALANT BY OTHERS TO BE DESIGNED IN ACCORDANCE WITH ASTM E2112

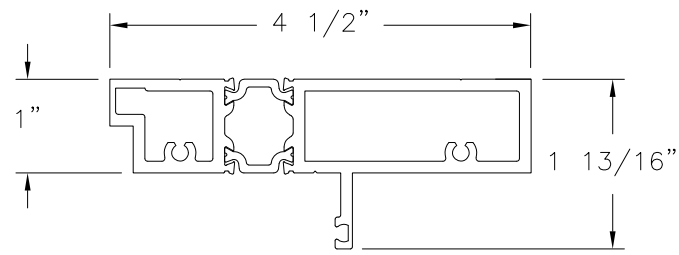
SIGNED: 04/04/2023

US ALUMINUM 950 SOLON RD. WAXAHACHIE, TX 75165		
D900 OS HINGED DOOR – ACCESSIBLE THRESHOLD W/STANDARD OR 10" BOTTOM RAIL L.M.I. INSTALLATION DETAILS		
DRAWN: A.R.	DWG NO. 08-03296	REV B
SCALE NTS	DATE 01/02/19	SHEET 5 OF 6
L. ROBERTO LOMAS P.E. 400 S. PALM AVE, INDIALANTIC, FL 32903 434-688-0609 rllomas@rlomaspe.com		

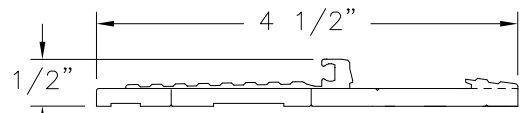


Luis R. Lomas P.E.
 FL No.: 62514

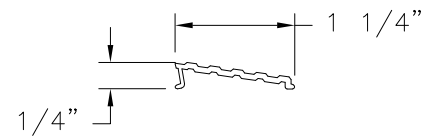
REVISIONS			
REV	DESCRIPTION	DATE	APPROVED
B	REVISED PER NEW REQUIREMENTS	04/04/2023	R.L.



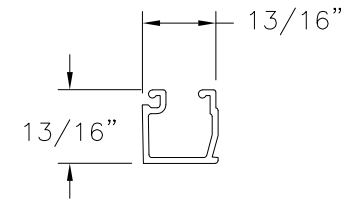
FRAME HEAD HT450
ALUMINUM 6063-T5



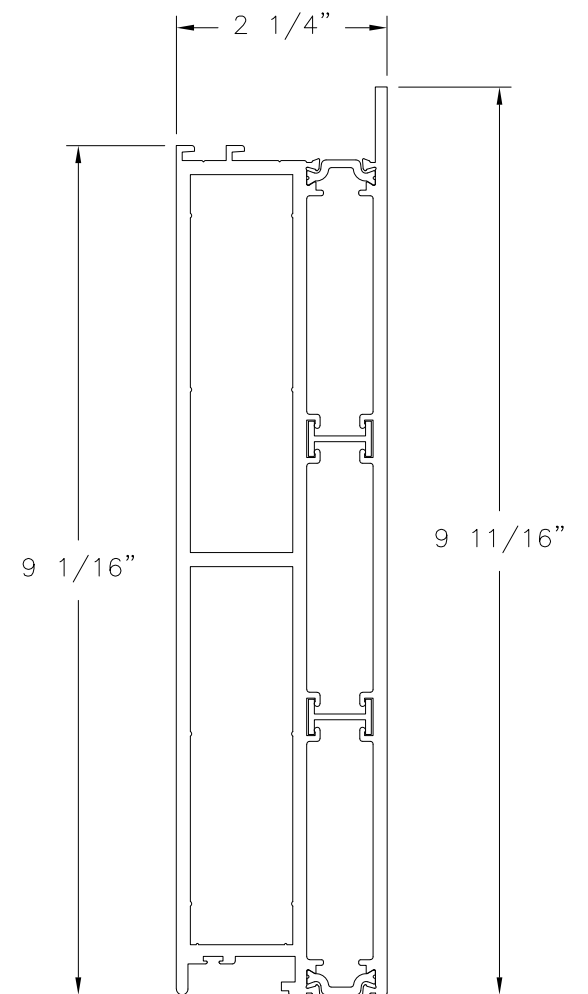
ACCESSIBLE THRESHOLD TH425
ALUMINUM 6063-T5



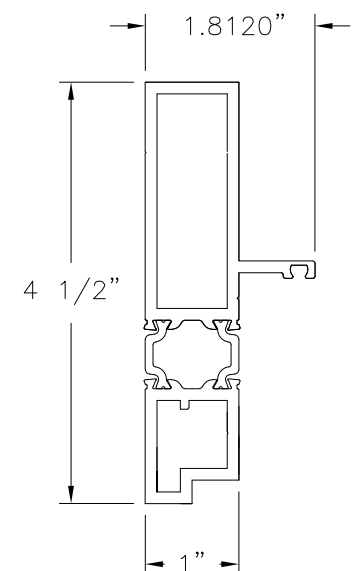
THRESHOLD SNAP COVER TH426
ALUMINUM 6063-T5



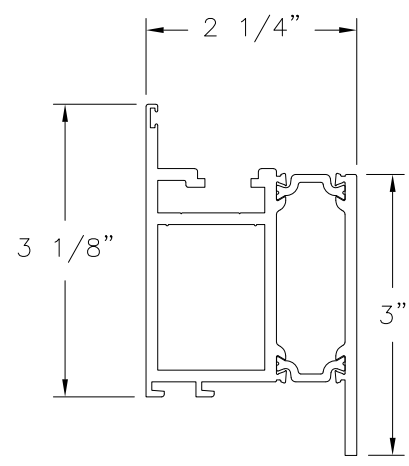
GLASS STOP WN429
ALUMINUM 6063-T5



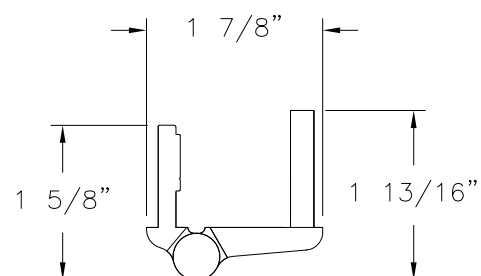
10" BOTTOM RAIL WT900
ALUMINUM 6063-T5



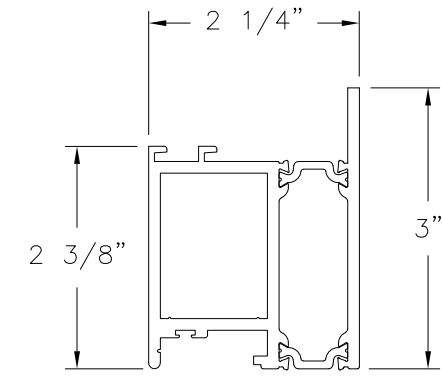
FRAME JAMB JI450
ALUMINUM 6063-T5



SASH MEMBER HT300
ALUMINUM 6063-T5



HINGE ASSEMBLY WH751
ALUMINUM 6063-T5



STANDARD BOTTOM RAIL HT301
ALUMINUM 6063-T5

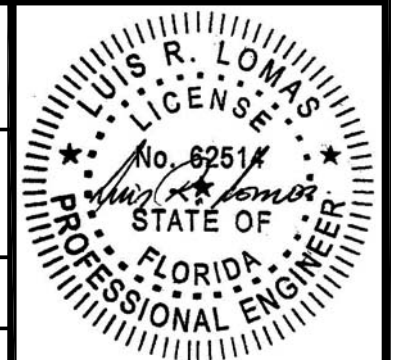
SIGNED: 04/04/2023

US ALUMINUM
950 SOLON RD.
WAXAHACHIE, TX 75165

D900 OS HINGED DOOR – ACCESSIBLE THRESHOLD
W/STANDARD OR 10" BOTTOM RAIL L.M.I.
COMPONENTS

DRAWN: A.R.	DWG NO. 08-03296	REV B
SCALE NTS	DATE 01/02/19	SHEET 6 OF 6

L. ROBERTO LOMAS P.E.
400 S. PALM AVE, INDIALANTIC, FL 32903
434-688-0609 rllomas@rlomaspe.com



Luis R. Lomas P.E.
FL No.: 62514