

REVISIONS			
REV	DESCRIPTION	DATE	APPROVED
A	REVISED PER NEW CODE	02/01/2024	R.L.

NOTES:

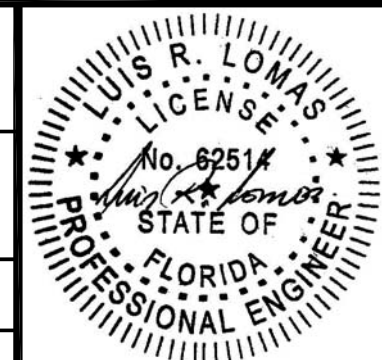
1. THE PRODUCT SHOWN HEREIN IS DESIGNED AND MANUFACTURED TO COMPLY WITH REQUIREMENTS OF THE FLORIDA BUILDING CODE.
2. WOOD FRAMING, METAL STRUCTURE AND MASONRY OPENING TO BE DESIGNED AND ANCHORED TO PROPERLY TRANSFER ALL LOADS TO STRUCTURE. FRAMING AND MASONRY OPENING IS THE RESPONSIBILITY OF THE ARCHITECT OR ENGINEER OF RECORD.
3. WHERE SHIM OR BUCK THICKNESS IS LESS THAN 1-1/2" UNITS MUST BE ANCHORED THROUGH THE FRAME IN ACCORDANCE WITH MANUFACTURER'S PUBLISHED INSTALLATION INSTRUCTIONS. ANCHORS SHALL BE SECURELY FASTENED DIRECTLY INTO MASONRY, CONCRETE OR OTHER STRUCTURAL SUBSTRATE MATERIAL.
4. WHERE WOOD BUCK THICKNESS IS 1-1/2" OR GREATER, BUCK SHALL BE SECURELY FASTENED TO MASONRY, CONCRETE OR OTHER STRUCTURAL SUBSTRATE. UNITS MAY BE ANCHORED THROUGH FRAME TO SECURED WOOD BUCK IN ACCORDANCE WITH MANUFACTURER'S PUBLISHED INSTALLATION INSTRUCTIONS.
5. WHERE 1X BUCK IS NOT USED DISSIMILAR MATERIALS MUST BE SEPARATED WITH APPROVED COATING OR MEMBRANE. SELECTION OF COATING OR MEMBRANE IS THE RESPONSIBILITY OF THE ARCHITECT OR ENGINEER OF RECORD.
6. BUCKS SHALL EXTEND BEYOND UNIT FRAME INTERIOR FACE SO THAT FULL FRAME SUPPORT IS PROVIDED.
7. SHIM AS REQUIRED AT EACH ANCHOR LOCATION WITH LOAD BEARING SHIM. SHIM WHERE SPACE OF 1/16" OR GREATER OCCURS. MAXIMUM ALLOWABLE SHIM STACK TO BE 1/4".
8. SHIMS SHALL BE LOCATED, APPLIED AND MADE FROM MATERIALS AND THICKNESS CAPABLE OF SUSTAINING APPLICABLE LOADS.
9. WIND LOAD DURATION FACTOR Cd=1.6 WAS USED FOR WOOD ANCHOR CALCULATIONS.
10. FRAME MATERIAL: ALUMINUM 6063-T5
11. UNITS MUST BE GLAZED PER ASTM E1300.
12. APPROVED IMPACT PROTECTIVE SYSTEM IS REQUIRED FOR THIS PRODUCT IN WIND BORNE DEBRIS REGIONS.

13. FOR ANCHORING THROUGH FRAME INTO WOOD FRAMING OR 2X BUCK USE #12 WOOD SCREWS WITH SUFFICIENT LENGTH TO ACHIEVE A 1 3/8" MINIMUM EMBEDMENT INTO SUBSTRATE. LOCATE ANCHORS AS SHOWN IN ELEVATIONS AND INSTALLATION DETAILS.
14. FOR ANCHORING THROUGH FRAME INTO MASONRY/CONCRETE USE 1/4" TAPCON WITH SUFFICIENT LENGTH TO ACHIEVE A 1 1/4" MINIMUM EMBEDMENT INTO SUBSTRATE WITH 2" MINIMUM EDGE DISTANCE. LOCATE ANCHORS AS SHOWN IN ELEVATIONS AND INSTALLATION DETAILS.
15. FOR ANCHORING THROUGH FRAME INTO METAL STRUCTURE USE #12 SMS OR SELF DRILLING SCREWS WITH SUFFICIENT LENGTH TO ACHIEVE 3 THREADS MINIMUM BEYOND STRUCTURE INTERIOR WALL. LOCATE ANCHORS AS SHOWN IN ELEVATIONS AND INSTALLATION DETAILS.
16. ALL FASTENERS TO BE CORROSION RESISTANT.
17. INSTALLATION ANCHORS SHALL BE INSTALLED IN ACCORDANCE WITH ANCHOR MANUFACTURER'S INSTALLATION INSTRUCTIONS AND ANCHORS SHALL NOT BE USED IN SUBSTRATES WITH STRENGTHS LESS THAN THE MINIMUM STRENGTH SPECIFIED BELOW:
 - 17.1. WOOD: MINIMUM SPECIFIC GRAVITY OF G=0.42
 - 17.2. CONCRETE: MINIMUM COMPRESSIVE STRENGTH OF 2,000 PSI.
 - 17.3. MASONRY: HOLLOW/FILLED BLOCK PER ASTM C90 WITH Fm=2,000PSI MINIMUM.
 - 17.4. METAL STRUCTURE: STEEL 18GA (.048") FY=33KSI/FU=52KSI OR ALUMINUM 6063-T5 FU=30KSI 1/8" THICK MINIMUM

SIGNED: 02/08/2024

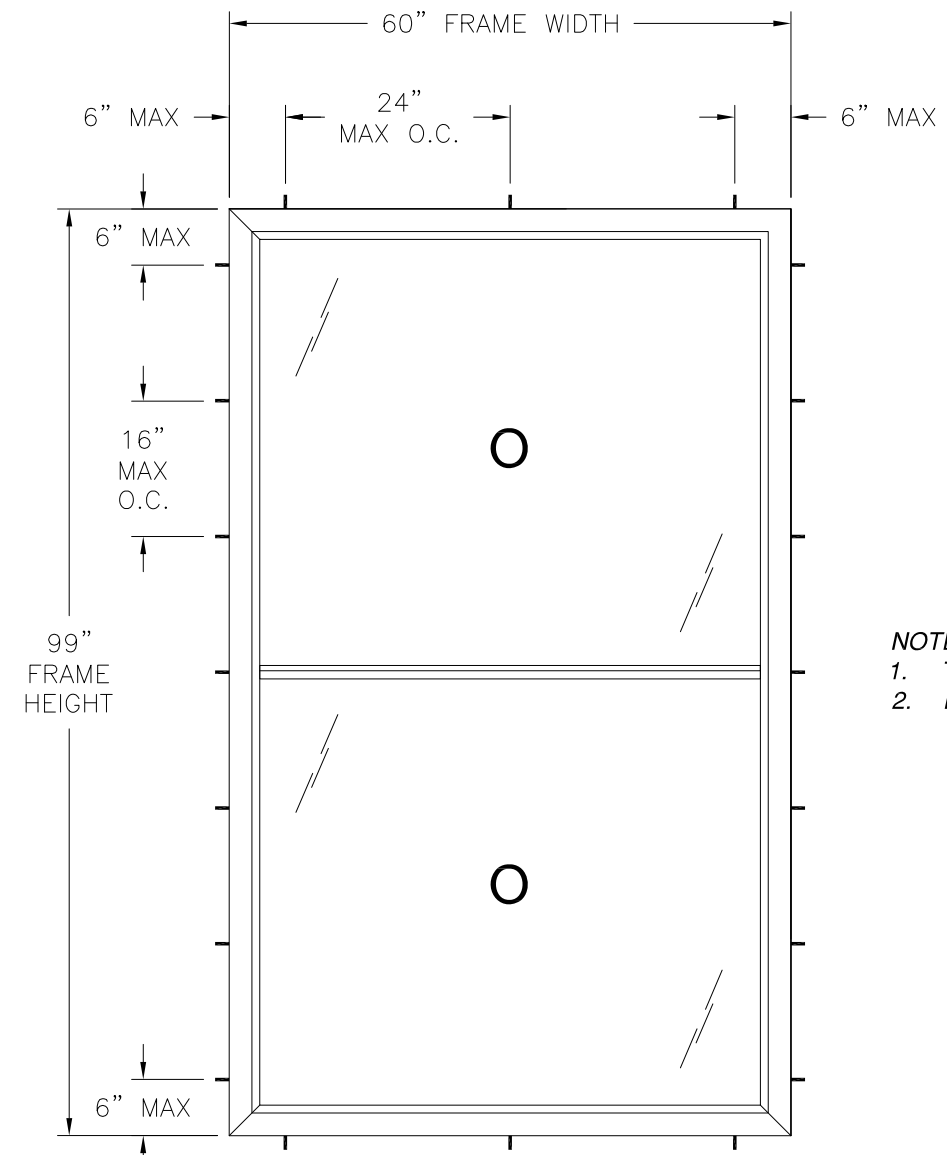
TABLE OF CONTENTS	
SHEET NO.	DESCRIPTION
1	NOTES
2	ELEVATION
3 - 5	INSTALLATION DETAILS
6	COMPONENTS

ALL SEASONS COMMERCIAL 1293 NORTH HARVEY MITCHELL PARKWAY BRYAN, TX 77803		
SERIES E4000FO FIXED FRAME OFFSET ALUMINUM FIXED WINDOW 60" X 99" NON-IMPACT NOTES		
DRAWN: A.R.	DWG NO. 08-03227	REV A
SCALE NTS	DATE 03/26/18	SHEET 1 OF 6
L. ROBERTO LOMAS P.E. 208 7th Ave, INDIALANTIC, FL 32903 434-688-0609 rllomas@rlomaspe.com		



Luis R. Lomas P.E.
FL No.: 62514

REVISIONS			
REV	DESCRIPTION	DATE	APPROVED
A	REVISED PER NEW CODE	02/01/2024	R.L.



- NOTES:
1. TOP D.L.O.: 56" x 46"
 2. BOTTOM D.L.O.: 56" x 45 3/4"

SERIES E4000FO FIXED WINDOW
 EXTERIOR VIEW
 FRAME INSTALLATION

DESIGN PRESSURE RATING	IMPACT RATING
±80.0PSF	NONE

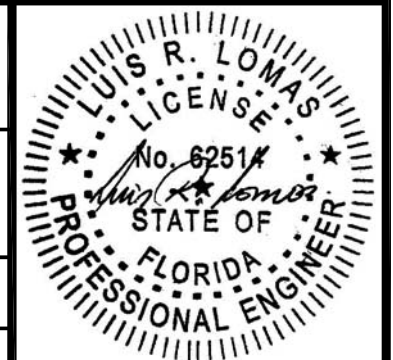
SIGNED: 02/08/2024

ALL SEASONS COMMERCIAL
 1293 NORTH HARVEY MITCHELL PARKWAY
 BRYAN, TX 77803

SERIES E4000FO FIXED FRAME OFFSET ALUMINUM
 FIXED WINDOW 60" X 99" NON-IMPACT
 ELEVATION

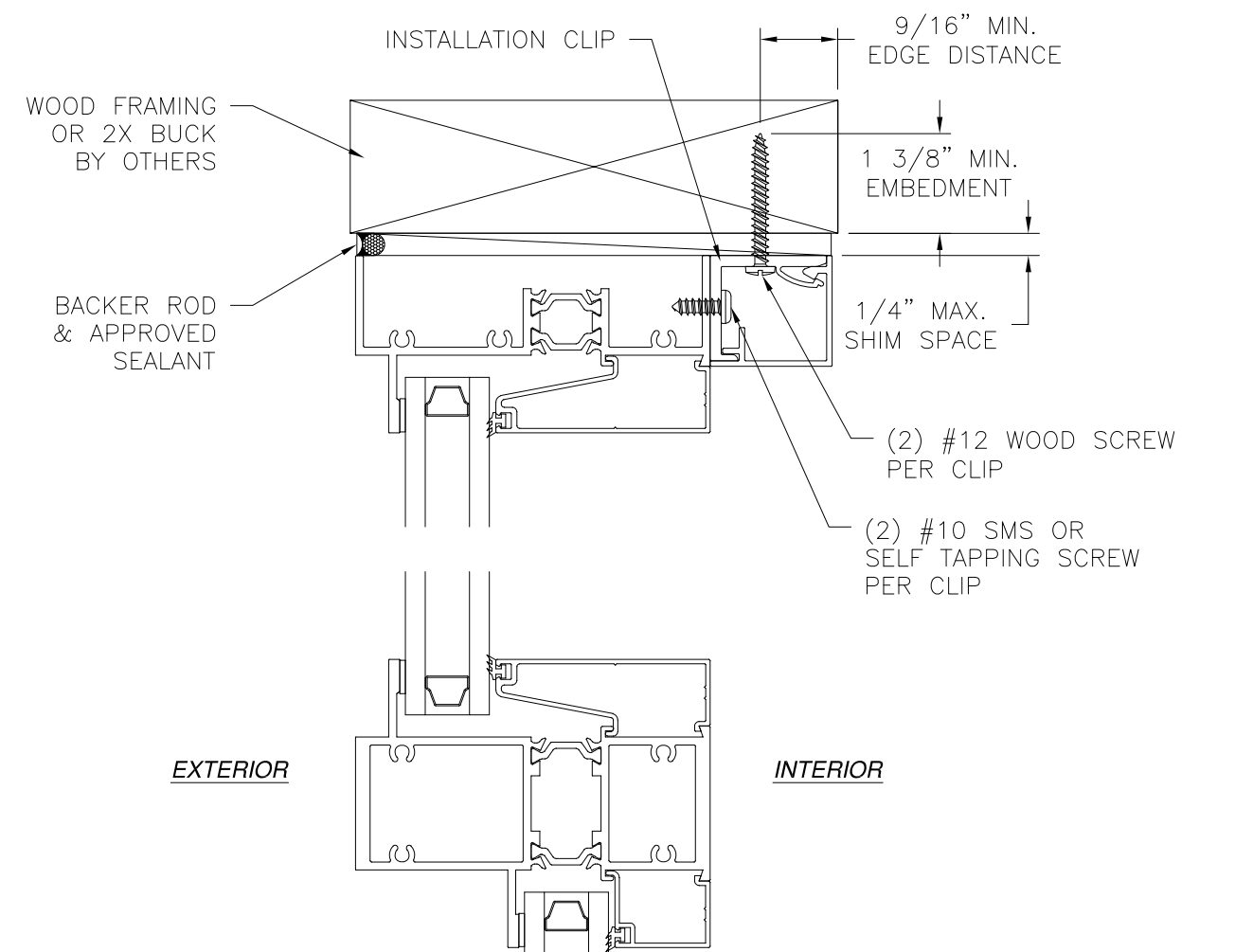
DRAWN: A.R.	DWG NO. 08-03227	REV A
SCALE NTS	DATE 03/26/18	SHEET 2 OF 6

L. ROBERTO LOMAS P.E.
 208 7th Ave, INDIALANTIC, FL 32903
 434-688-0609 rllomas@rlomaspe.com



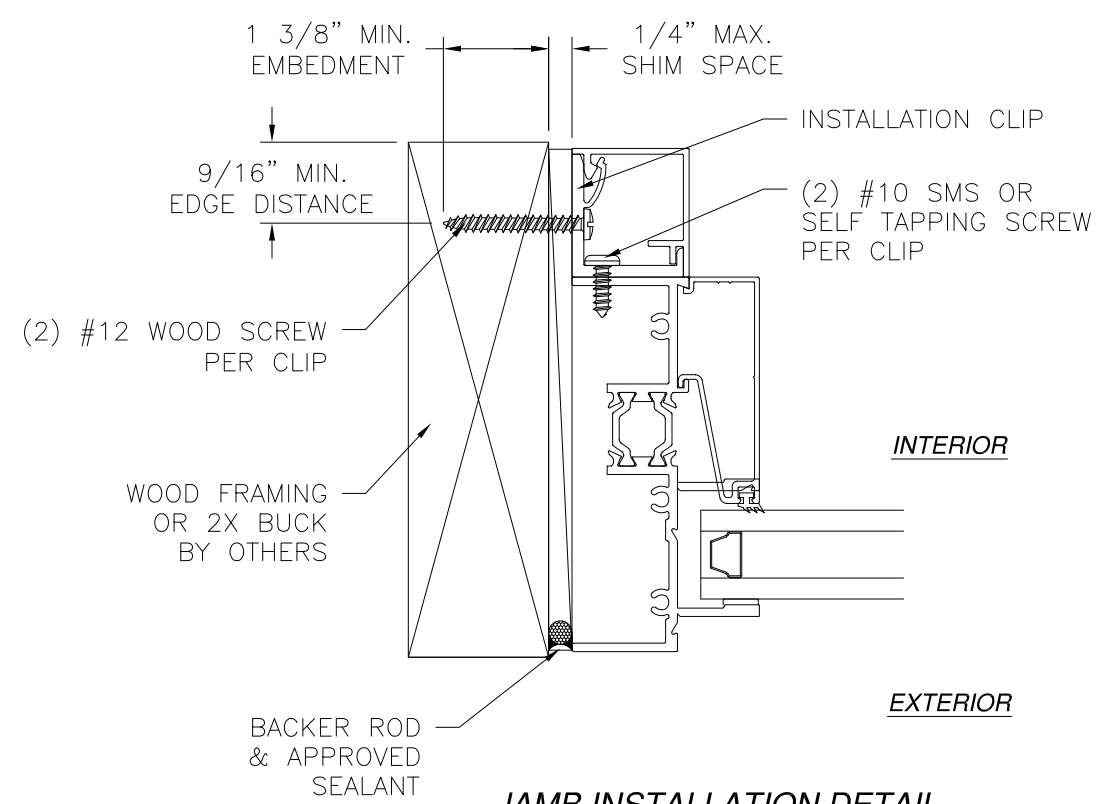
Luis R. Lomas P.E.
 FL No.: 62514

REVISIONS			
REV	DESCRIPTION	DATE	APPROVED
A	REVISED PER NEW CODE	02/01/2024	R.L.



EXTERIOR

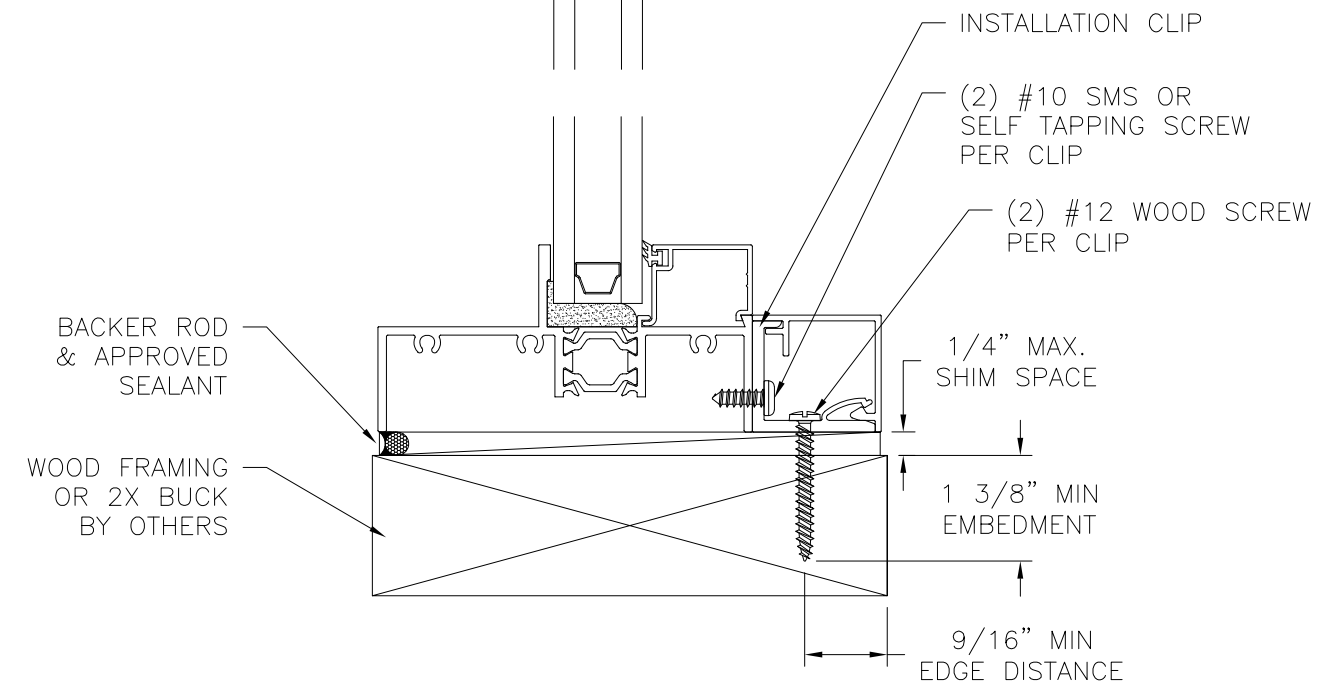
INTERIOR



INTERIOR

EXTERIOR

JAMB INSTALLATION DETAIL
WOOD FRAMING OR 2X BUCK INSTALLATION

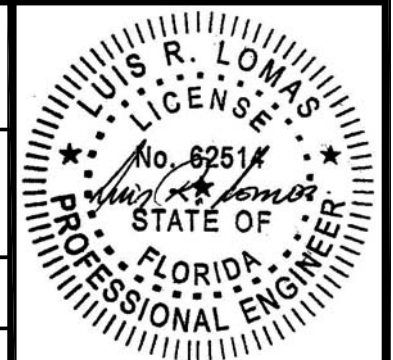


VERTICAL CROSS SECTION
WOOD FRAMING OR 2X BUCK INSTALLATION

- NOTES:**
1. INTERIOR AND EXTERIOR FINISHES, BY OTHERS, NOT SHOWN FOR CLARITY.
 2. PERIMETER AND JOINT SEALANT BY OTHERS TO BE DESIGNED IN ACCORDANCE WITH ASTM E2112

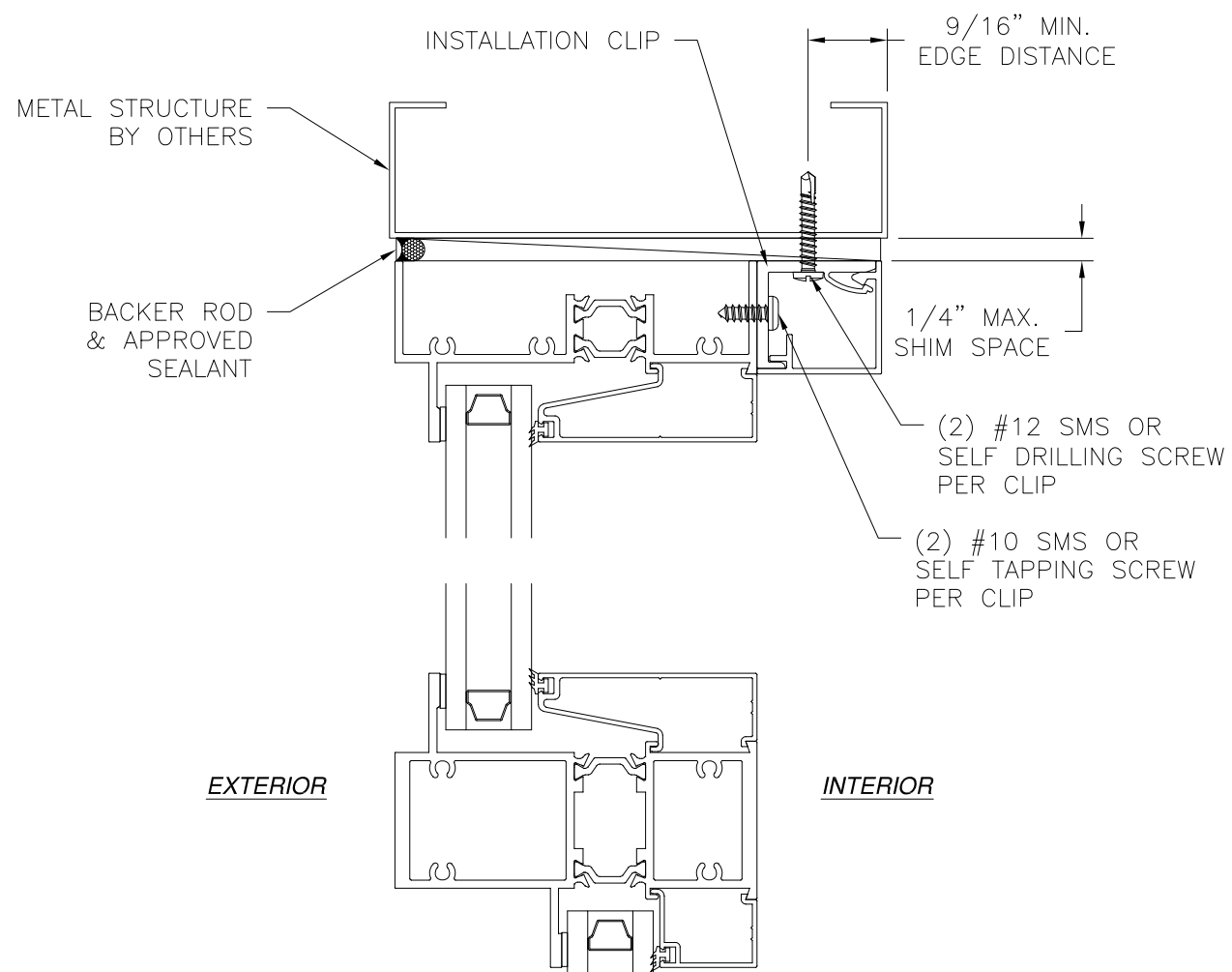
SIGNED: 02/08/2024

ALL SEASONS COMMERCIAL 1293 NORTH HARVEY MITCHELL PARKWAY BRYAN, TX 77803		
SERIES E4000FO FIXED FRAME OFFSET ALUMINUM FIXED WINDOW 60" X 99" NON-IMPACT INSTALLATION DETAILS		
DRAWN: A.R.	DWG NO. 08-03227	REV A
SCALE NTS	DATE 03/26/18	SHEET 3 OF 6
L. ROBERTO LOMAS P.E. 208 7th Ave, INDIALANTIC, FL 32903 434-688-0609 rllomas@lrlomaspe.com		



Luis R. Lomas P.E.
FL No.: 62514

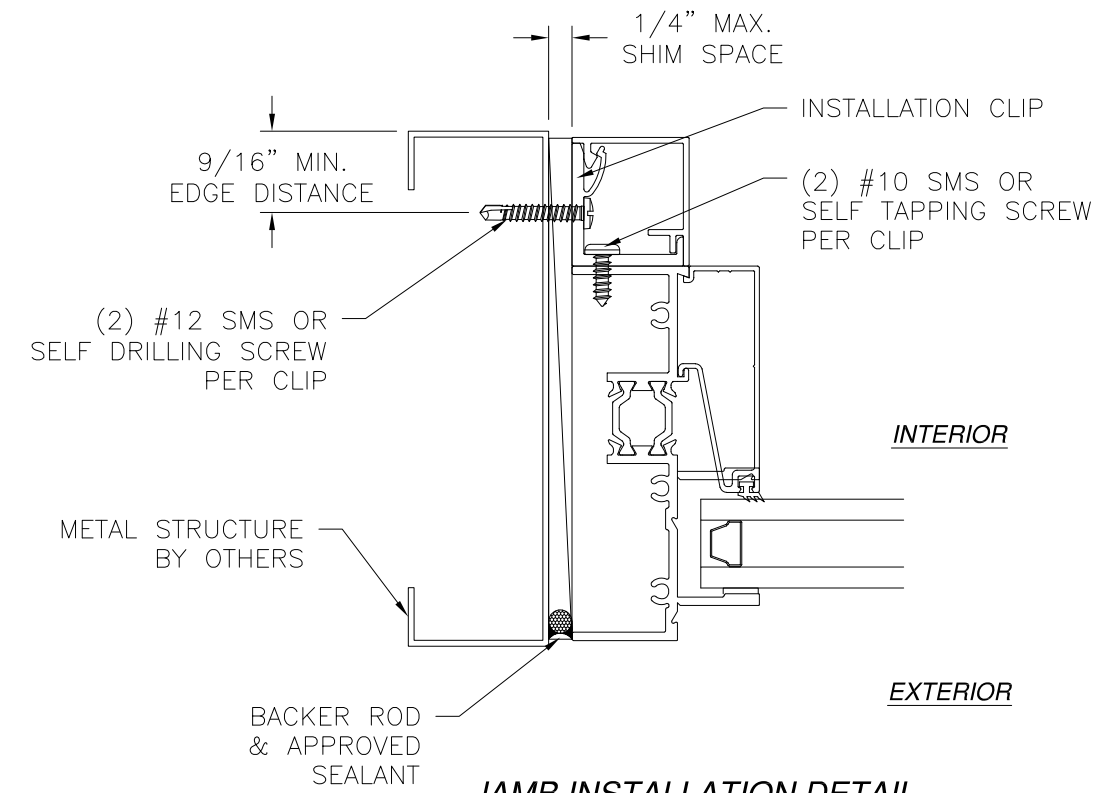
REVISIONS			
REV	DESCRIPTION	DATE	APPROVED
A	REVISED PER NEW CODE	02/01/2024	R.L.



EXTERIOR

INTERIOR

VERTICAL CROSS SECTION
METAL STRUCTURE INSTALLATION



INTERIOR

EXTERIOR

JAMB INSTALLATION DETAIL
METAL STRUCTURE INSTALLATION

- NOTES:**
- INTERIOR AND EXTERIOR FINISHES, BY OTHERS, NOT SHOWN FOR CLARITY.
 - PERIMETER AND JOINT SEALANT BY OTHERS TO BE DESIGNED IN ACCORDANCE WITH ASTM E2112

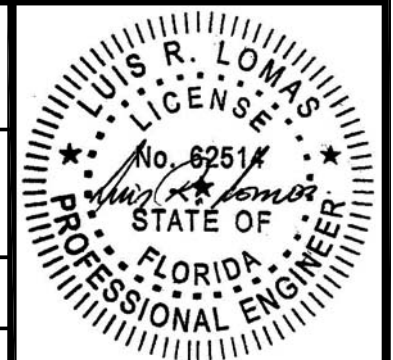
SIGNED: 02/08/2024

ALL SEASONS COMMERCIAL
1293 NORTH HARVEY MITCHELL PARKWAY
BRYAN, TX 77803

SERIES E4000FO FIXED FRAME OFFSET ALUMINUM
FIXED WINDOW 60" X 99" NON-IMPACT
INSTALLATION DETAILS

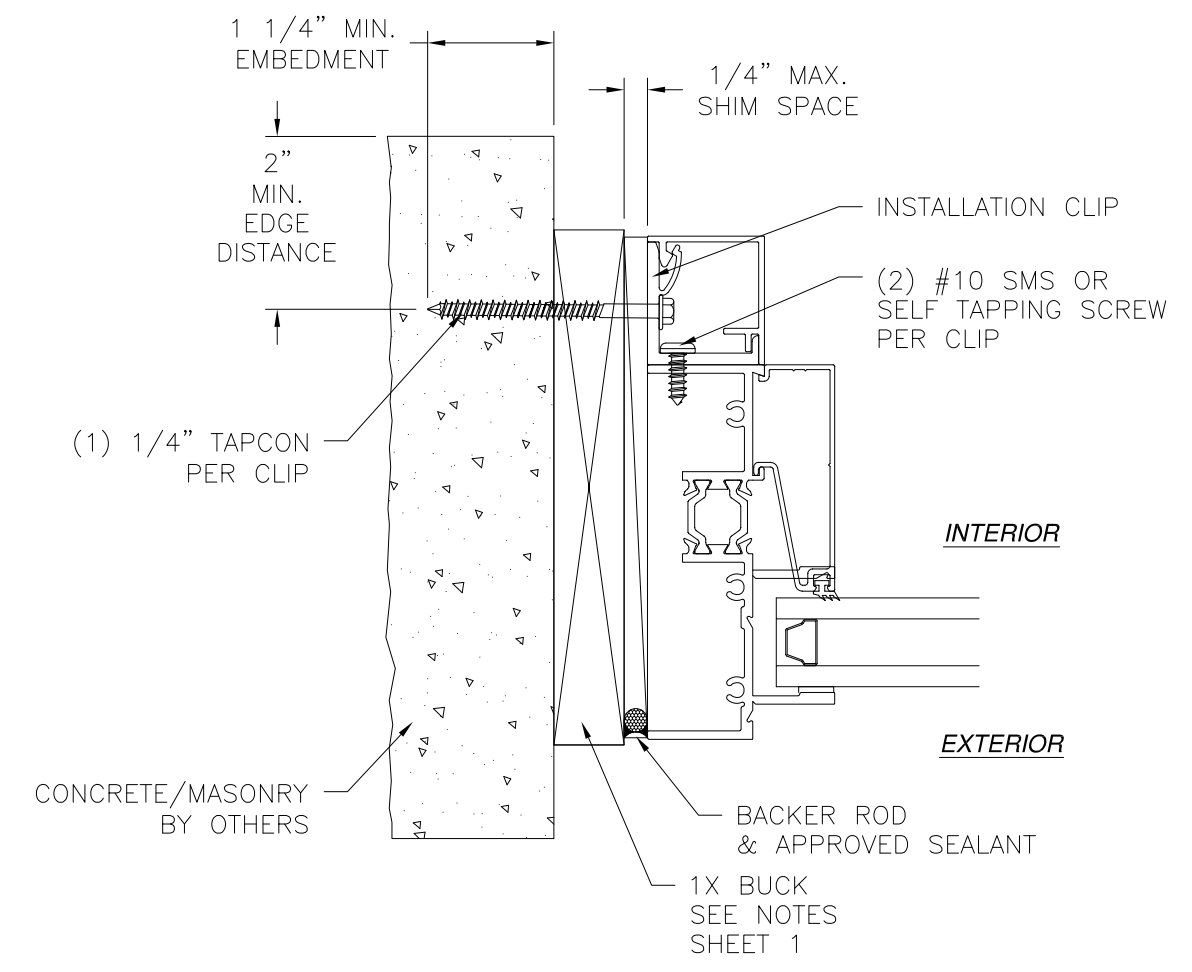
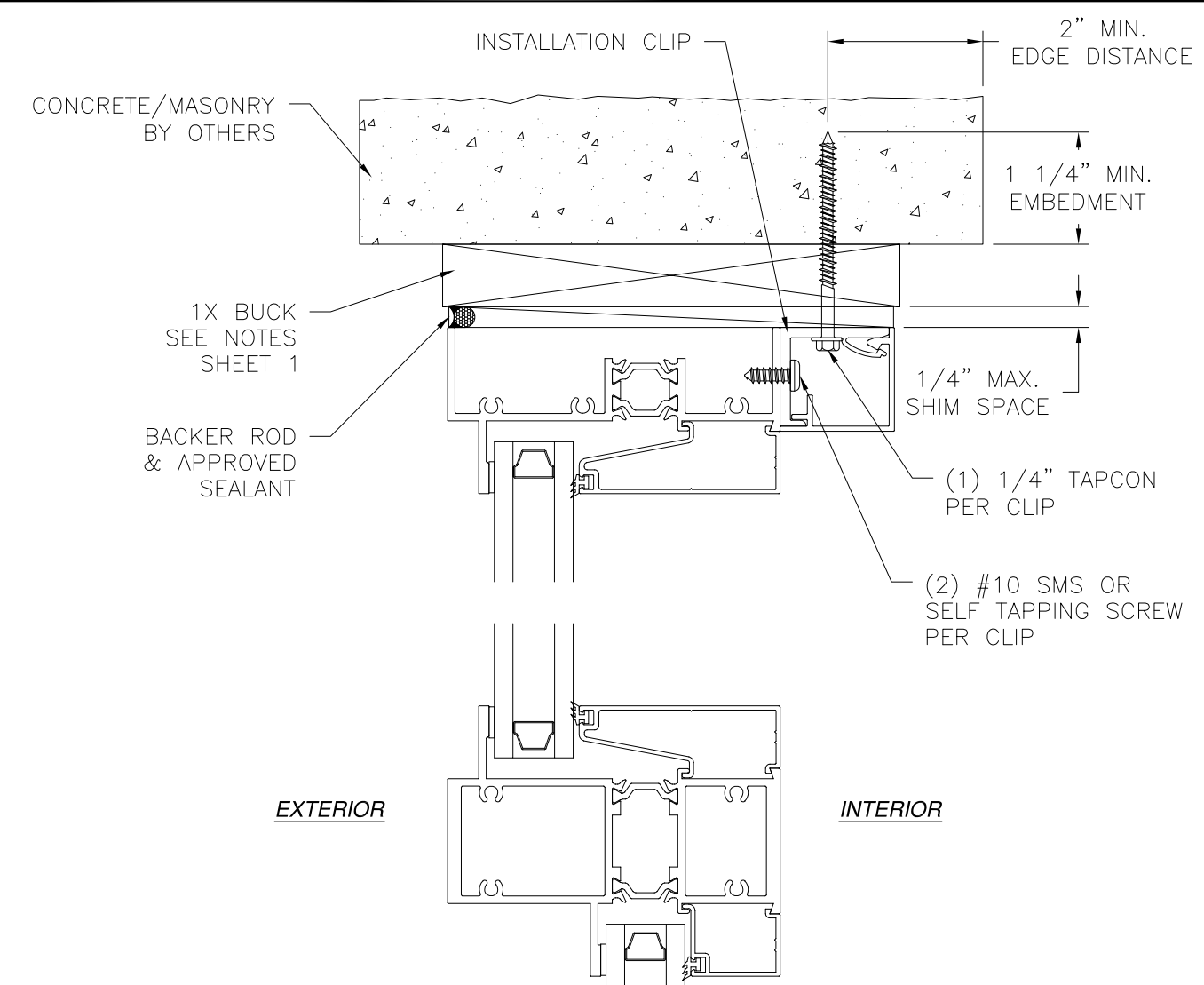
DRAWN: A.R.	DWG NO. 08-03227	REV A
SCALE NTS	DATE 03/26/18	SHEET 4 OF 6

L. ROBERTO LOMAS P.E.
208 7th Ave, INDIALANTIC, FL 32903
434-688-0609 rllomas@lrlomaspe.com



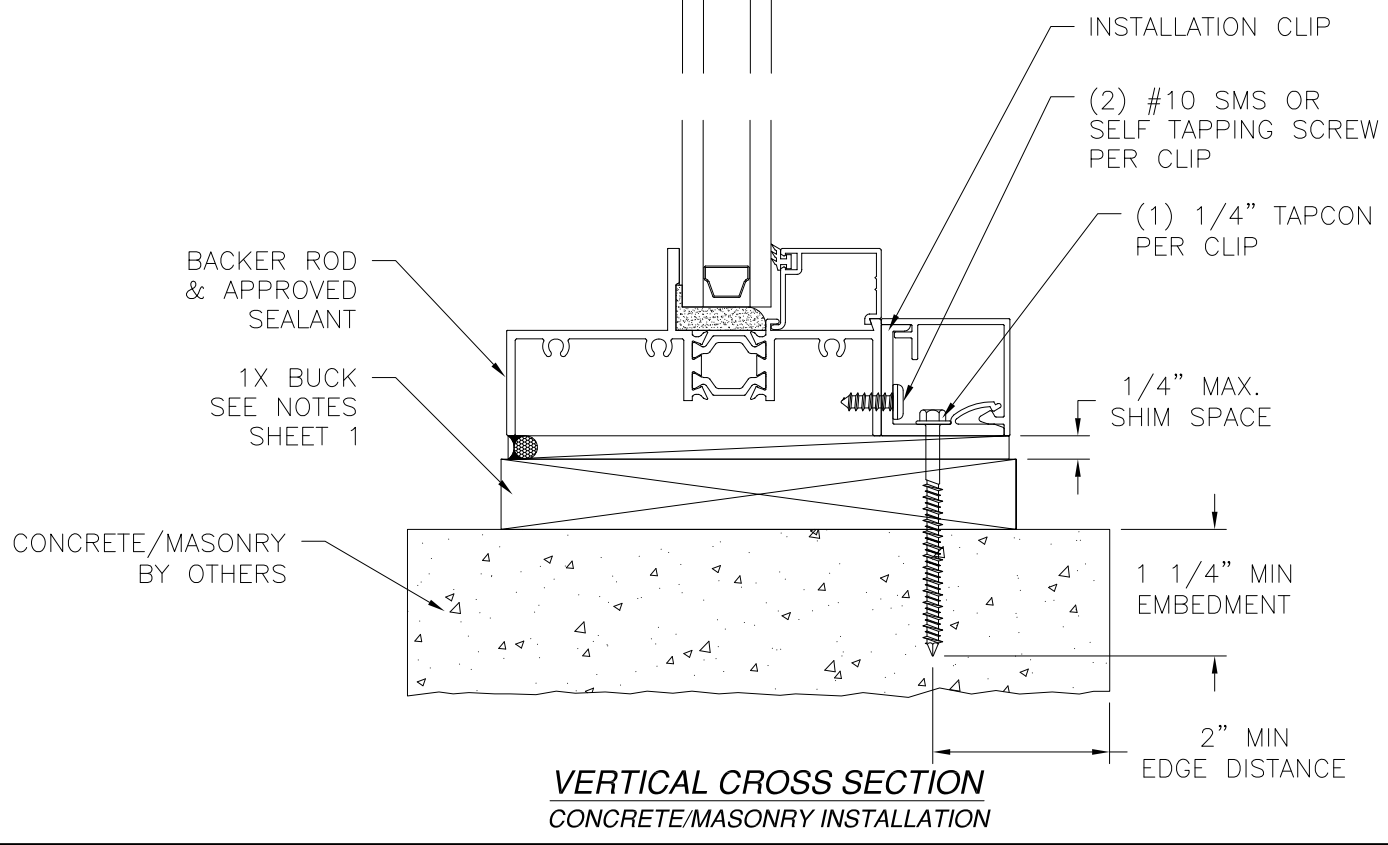
Luis R. Lomas P.E.
FL No.: 62514

REVISIONS			
REV	DESCRIPTION	DATE	APPROVED
A	REVISED PER NEW CODE	02/01/2024	R.L.



**JAMB INSTALLATION DETAIL
CONCRETE/MASONRY INSTALLATION**

- NOTES:**
1. INTERIOR AND EXTERIOR FINISHES, BY OTHERS, NOT SHOWN FOR CLARITY.
 2. PERIMETER AND JOINT SEALANT BY OTHERS TO BE DESIGNED IN ACCORDANCE WITH ASTM E2112



**VERTICAL CROSS SECTION
CONCRETE/MASONRY INSTALLATION**

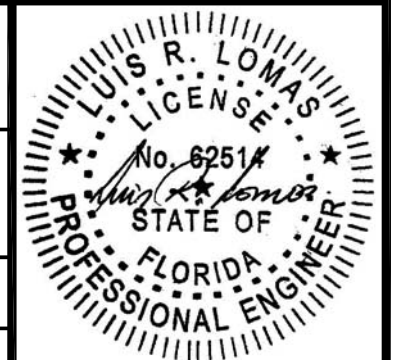
SIGNED: 02/08/2024

ALL SEASONS COMMERCIAL
1293 NORTH HARVEY MITCHELL PARKWAY
BRYAN, TX 77803

SERIES E4000FO FIXED FRAME OFFSET ALUMINUM
FIXED WINDOW 60" X 99" NON-IMPACT
INSTALLATION DETAILS

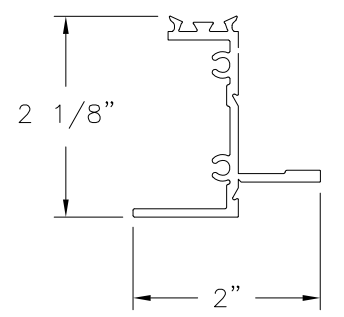
DRAWN: A.R.	DWG NO. 08-03227	REV A
SCALE NTS	DATE 03/26/18	SHEET 5 OF 6

L. ROBERTO LOMAS P.E.
208 7th Ave, INDIALANTIC, FL 32903
434-688-0609 rllomas@lrlomaspe.com

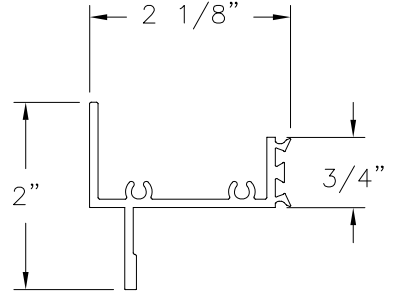


Luis R. Lomas P.E.
FL No.: 62514

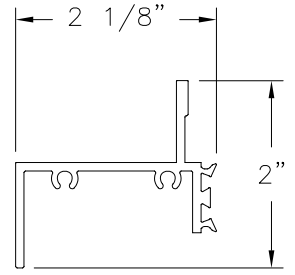
REVISIONS			
REV	DESCRIPTION	DATE	APPROVED
A	REVISED PER NEW CODE	02/01/2024	R.L.



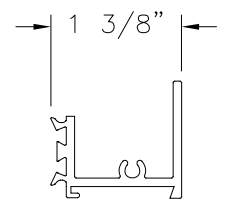
JAMB - EXTERIOR
ALUMINUM 6063-T5 (12875)



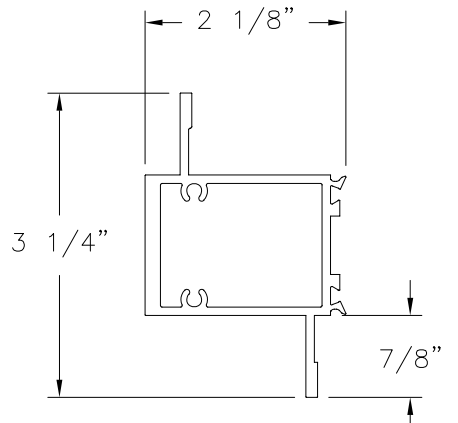
HEAD - EXTERIOR
ALUMINUM 6063-T5 (12876)



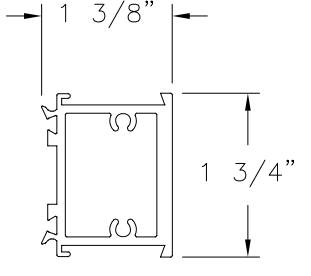
SILL ALTERNATE - EXTERIOR
ALUMINUM 6063-T5 (12878)



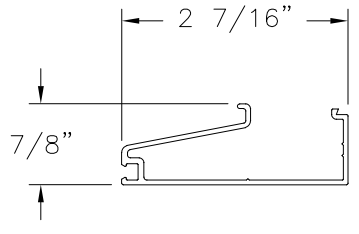
FRAME INTERIOR
ALUMINUM 6063-T5 (12879)



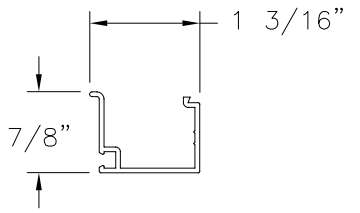
MEETING RAIL EXTERIOR
ALUMINUM 6063-T5 (12881)



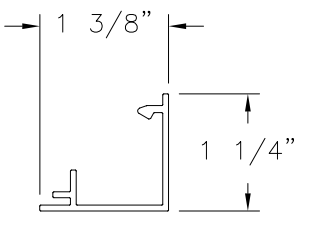
MEETING RAIL INTERIOR
ALUMINUM 6063-T5 (12882)



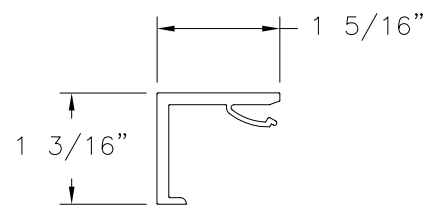
UPPER GLAZING BEAD
ALUMINUM 6063-T5 (12883)



LOWER GLAZING BEAD
ALUMINUM 6063-T5 (12884)



INSTALL CLIP COVER
ALUMINUM 6063-T5 (969)



INSTALL CLIP
ALUMINUM 6063-T5 (970)

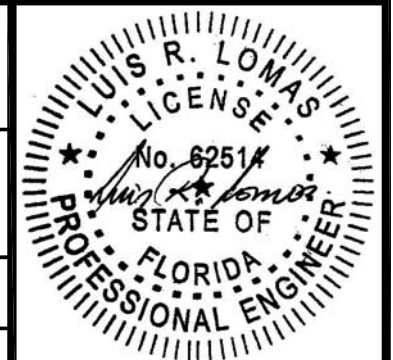
ALL SEASONS COMMERCIAL
1293 NORTH HARVEY MITCHELL PARKWAY
BRYAN, TX 77803

SERIES E4000FO FIXED FRAME OFFSET ALUMINUM
FIXED WINDOW 60" X 99" NON-IMPACT
COMPONENTS

DRAWN: A.R.	DWG NO. 08-03227	REV A
SCALE NTS	DATE 03/26/18	SHEET 6 OF 6

L. ROBERTO LOMAS P.E.
208 7th Ave, INDIALANTIC, FL 32903
434-688-0609 rllomas@lrlomaspe.com

SIGNED: 02/08/2024



Luis R. Lomas P.E.
FL No.: 62514