

REVISIONS			
REV	DESCRIPTION	DATE	APPROVED

NOTES:

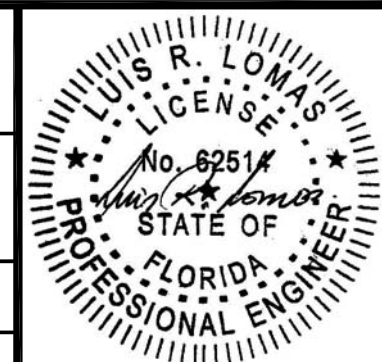
1. THE PRODUCT SHOWN HEREIN IS DESIGNED AND MANUFACTURED TO COMPLY WITH REQUIREMENTS OF THE FLORIDA BUILDING CODE.
2. WOOD FRAMING AND MASONRY OPENING TO BE DESIGNED AND ANCHORED TO PROPERLY TRANSFER ALL LOADS TO STRUCTURE. FRAMING AND MASONRY OPENING IS THE RESPONSIBILITY OF THE ARCHITECT OR ENGINEER OF RECORD.
3. 1X BUCK OVER MASONRY/CONCRETE IS OPTIONAL.
4. WHERE SHIM OR BUCK THICKNESS IS LESS THAN 1-1/2" UNITS MUST BE ANCHORED THROUGH THE FRAME IN ACCORDANCE WITH MANUFACTURER'S PUBLISHED INSTALLATION INSTRUCTIONS. ANCHORS SHALL BE SECURELY FASTENED DIRECTLY INTO MASONRY, CONCRETE OR OTHER STRUCTURAL SUBSTRATE MATERIAL.
5. WHERE WOOD BUCK THICKNESS IS 1-1/2" OR GREATER, BUCK SHALL BE SECURELY FASTENED TO MASONRY, CONCRETE OR OTHER STRUCTURAL SUBSTRATE. UNITS MAY BE ANCHORED THROUGH FRAME TO SECURED WOOD BUCK IN ACCORDANCE WITH MANUFACTURER'S PUBLISHED INSTALLATION INSTRUCTIONS.
6. WHERE 1X BUCK IS NOT USED DISSIMILAR MATERIALS MUST BE SEPARATED WITH APPROVED COATING OR MEMBRANE. SELECTION OF COATING OR MEMBRANE IS THE RESPONSIBILITY OF THE ARCHITECT OR ENGINEER OF RECORD.
7. BUCKS SHALL EXTEND BEYOND UNIT FRAME INTERIOR FACE SO THAT FULL FRAME SUPPORT IS PROVIDED.
8. FOR FIN INSTALLATION SHIM AS NEEDED. FOR FRAME INSTALLATION SHIM AS REQUIRED AT EACH ANCHOR LOCATION WITH LOAD BEARING SHIM. SHIM WHERE SPACE OF 1/16" OR GREATER OCCURS. MAXIMUM ALLOWABLE SHIM STACK TO BE 1/4".
9. SHIMS SHALL BE LOCATED, APPLIED AND MADE FROM MATERIALS AND THICKNESS CAPABLE OF SUSTAINING APPLICABLE LOADS.
10. WIND LOAD DURATION FACTOR Cd=1.6 WAS USED FOR WOOD ANCHOR CALCULATIONS.
11. FRAME MATERIAL: ALUMINUM 6063-T5
12. UNITS MUST BE GLAZED PER ASTM E1300-04/09, SEE SHEET 2 FOR GLASS DETAIL.
13. APPROVED IMPACT PROTECTIVE SYSTEM IS NOT REQUIRED FOR THIS PRODUCT IN WIND BORNE DEBRIS REGIONS.
14. FOR ANCHORING THROUGH FIN INTO WOOD FRAMING OR 2X BUCK USE #6 WOOD SCREWS WITH SUFFICIENT LENGTH TO ACHIEVE A 1 1/4" MINIMUM EMBEDMENT INTO SUBSTRATE. LOCATE ANCHORS AS SHOWN IN ELEVATIONS AND INSTALLATION DETAILS.

15. FOR ANCHORING THROUGH FRAME INTO WOOD FRAMING OR 2X BUCK USE #12 WOOD SCREWS WITH SUFFICIENT LENGTH TO ACHIEVE A 1 1/4" MINIMUM EMBEDMENT INTO SUBSTRATE. LOCATE ANCHORS AS SHOWN IN ELEVATIONS AND INSTALLATION DETAILS.
16. FOR ANCHORING THROUGH FRAME INTO MASONRY/CONCRETE USE 1/4" TAPCONS WITH SUFFICIENT LENGTH TO ACHIEVE A 1 1/4" MINIMUM EMBEDMENT INTO SUBSTRATE WITH 2" MINIMUM EDGE DISTANCE. LOCATE ANCHORS AS SHOWN IN ELEVATIONS AND INSTALLATION DETAILS.
17. FOR ANCHORING THROUGH FRAME INTO METAL STRUCTURE USE #12 SMS OR SELF DRILLING SCREWS WITH SUFFICIENT LENGTH TO ACHIEVE 3 THREADS MINIMUM BEYOND STRUCTURE INTERIOR WALL. LOCATE ANCHORS AS SHOWN IN ELEVATIONS AND INSTALLATION DETAILS.
18. ALL FASTENERS TO BE CORROSION RESISTANT.
19. INSTALLATION ANCHORS SHALL BE INSTALLED IN ACCORDANCE WITH ANCHOR MANUFACTURER'S INSTALLATION INSTRUCTIONS AND ANCHORS SHALL NOT BE USED IN SUBSTRATES WITH STRENGTHS LESS THAN THE MINIMUM STRENGTH SPECIFIED BELOW:
  - A. WOOD: MINIMUM SPECIFIC GRAVITY OF G=0.42
  - B. CONCRETE: MINIMUM COMPRESSIVE STRENGTH OF 2,000 PSI.
  - C. MASONRY: HOLLOW/FILLED BLOCK PER ASTM C90 WITH Fm=2,000PSI MINIMUM.
  - D. METAL STRUCTURE: STEEL 18GA (.048") FY=33KSI/FU=52KSI OR ALUMINUM 6063-T5 FU=30KSI .048" THICK MINIMUM

SIGNED: 08/27/2018

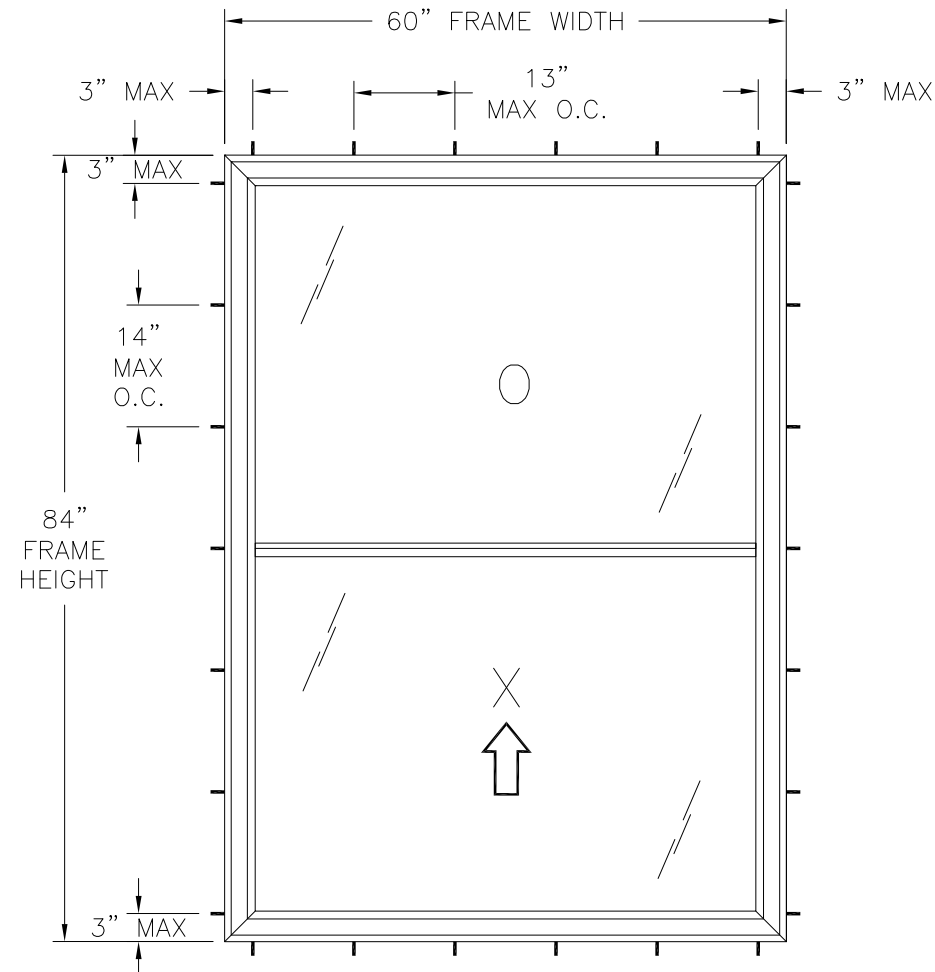
TABLE OF CONTENTS	
SHEET NO.	DESCRIPTION
1	NOTES
2	ELEVATIONS AND GLAZING DETAIL
3 - 6	INSTALLATION DETAILS
7	COMPONENTS

<b>ALL SEASONS COMMERCIAL</b> 1293 NORTH HARVEY MITCHELL PARKWAY BRYAN, TX 77803		
SERIES 3250 ALUMINUM SINGLE HUNG WINDOW 60" X 84" LARGE AND SMALL MISSILE IMPACT NOTES		
DRAWN: A.R.	DWG NO. 08-03274	REV -
SCALE NTS	DATE 07/13/18	SHEET 1 OF 7
L. ROBERTO LOMAS P.E. 1432 WOODFORD RD LEWISVILLE, NC 27023 434-688-0609 rllomas@lrlomaspe.com		

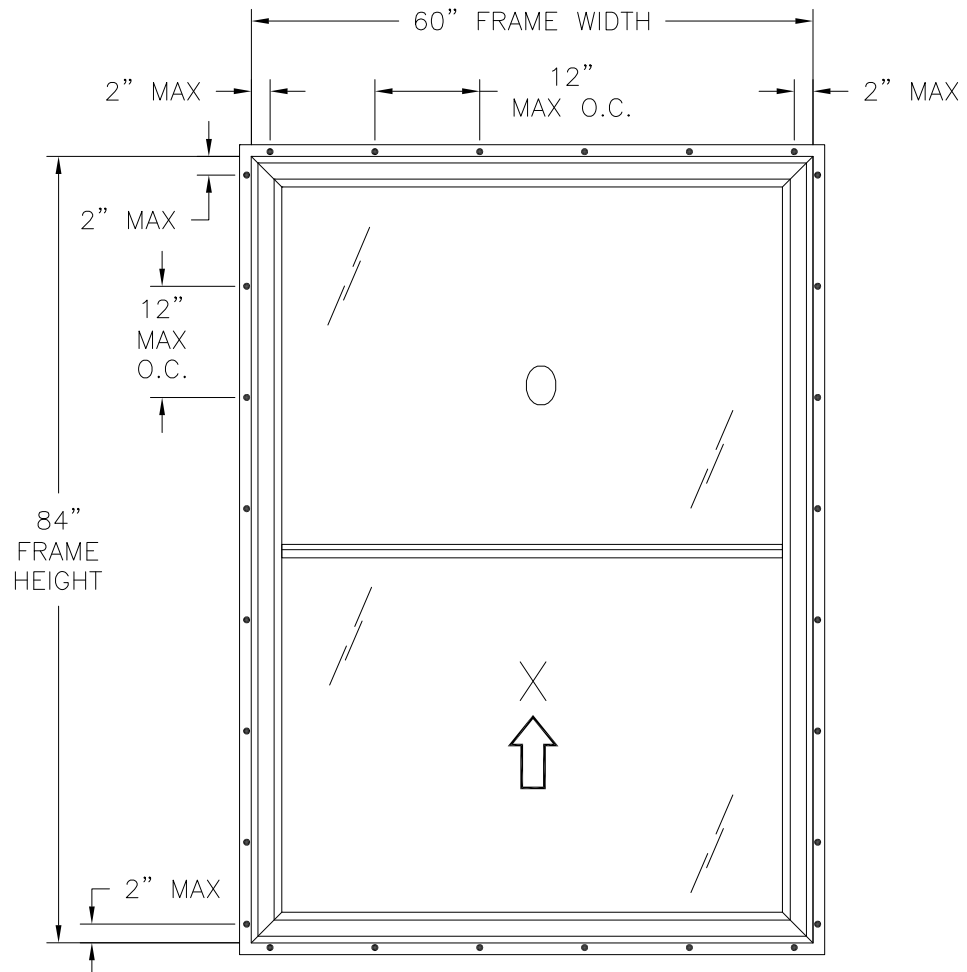


Luis R. Lomas P.E.  
FL No.: 62514

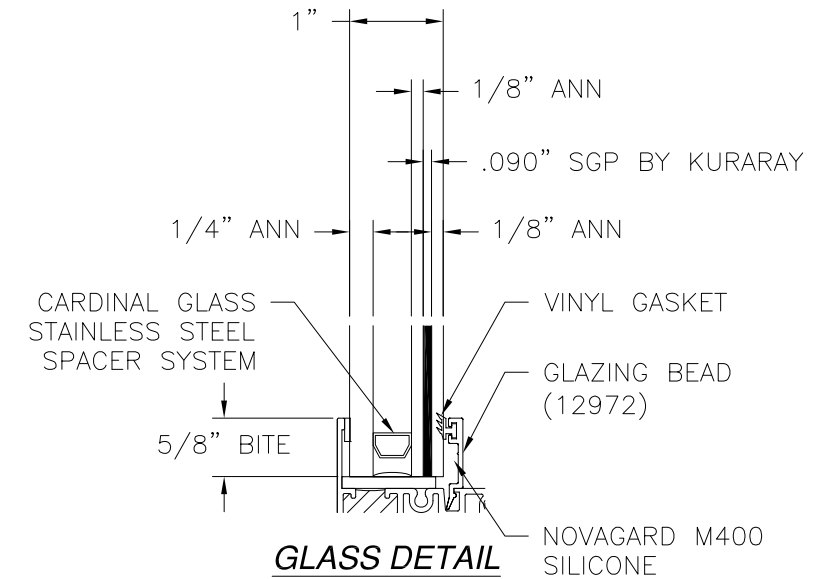
REVISIONS			
REV	DESCRIPTION	DATE	APPROVED



**SERIES 3250 SINGLE HUNG WINDOW**  
EXTERIOR VIEW  
FRAME INSTALLATION



**SERIES 3250 SINGLE HUNG WINDOW**  
EXTERIOR VIEW  
FIN INSTALLATION



**GLASS DETAIL**

DESIGN PRESSURE RATING	IMPACT RATING
±75.0 PSF	LARGE AND SMALL MISSILE IMPACT

60" X 84" UNIT SHOWN. OTHER SIZES APPROVED AS LONG AS FRAME AREA DOES NOT EXCEED 35.0 FT<sup>2</sup>

- NOTES:
- SASH SIZE: 58" x 41 3/8"
  - FIXED D.L.O.: 55" X 37"
  - SASH D.L.O.: 54 1/4" x 37"

**HARDWARE SCHEDULE**

A.	(1) METALLIC SWEEP LOCK SPACED 1 1/2" FROM EACH END OF SASH TOP RAIL
B.	(2) ONE SPIRAL BALANCE PER SASH STILE

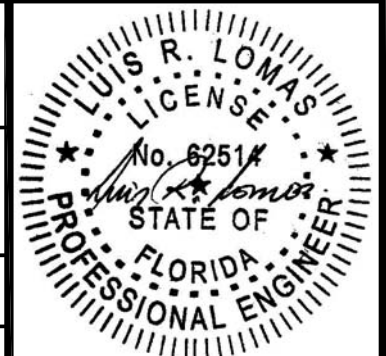
SIGNED: 08/27/2018

ALL SEASONS COMMERCIAL  
1293 NORTH HARVEY MITCHELL PARKWAY  
BRYAN, TX 77803

SERIES 3250 ALUMINUM SINGLE HUNG WINDOW  
60" X 84" LARGE AND SMALL MISSILE IMPACT  
ELEVATIONS AND GLAZING DETAIL

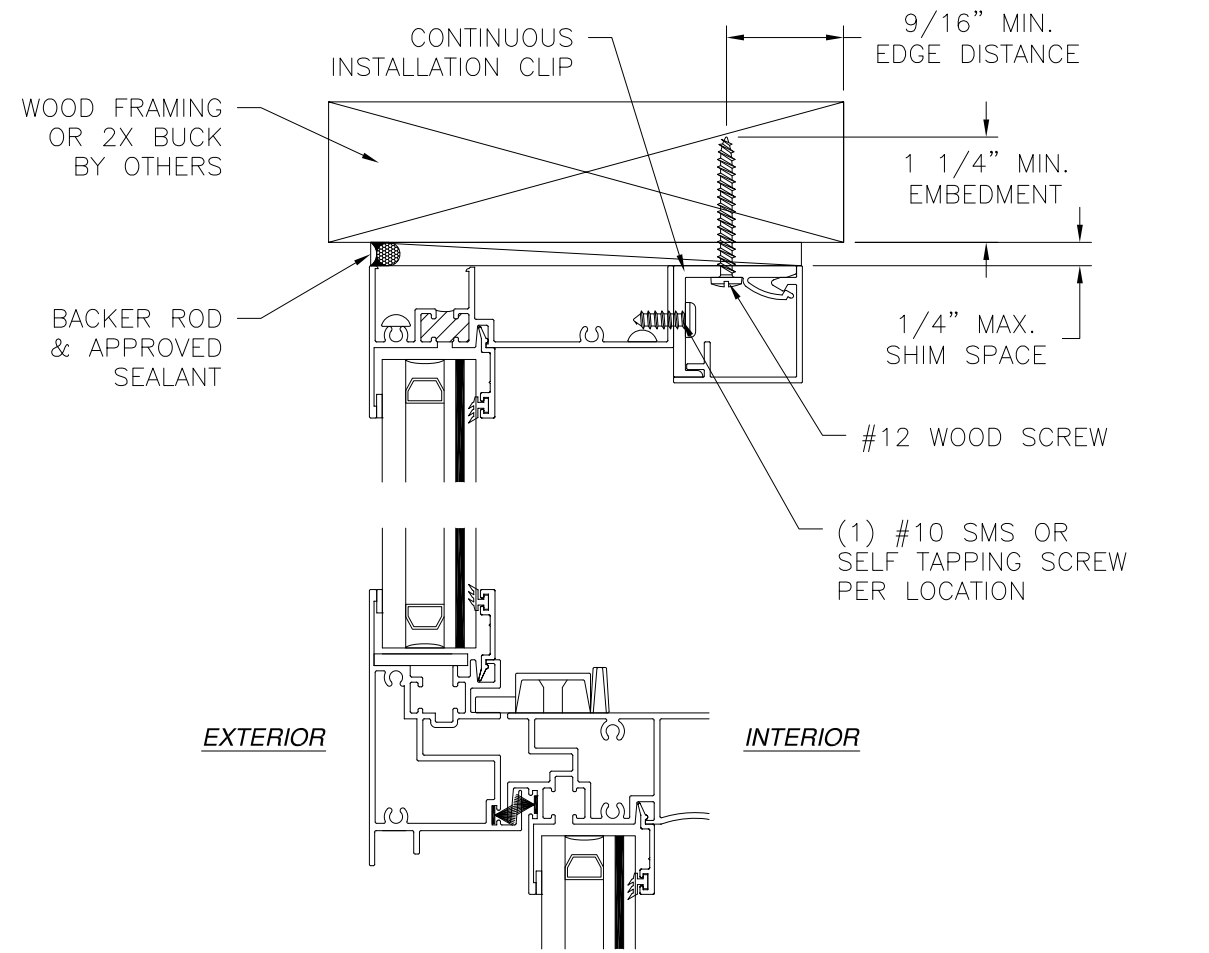
DRAWN: A.R.	DWG NO. 08-03274	REV -
SCALE NTS	DATE 07/13/18	SHEET 2 OF 7

L. ROBERTO LOMAS P.E.  
1432 WOODFORD RD LEWISVILLE, NC 27023  
434-688-0609 rllomas@rlomaspe.com

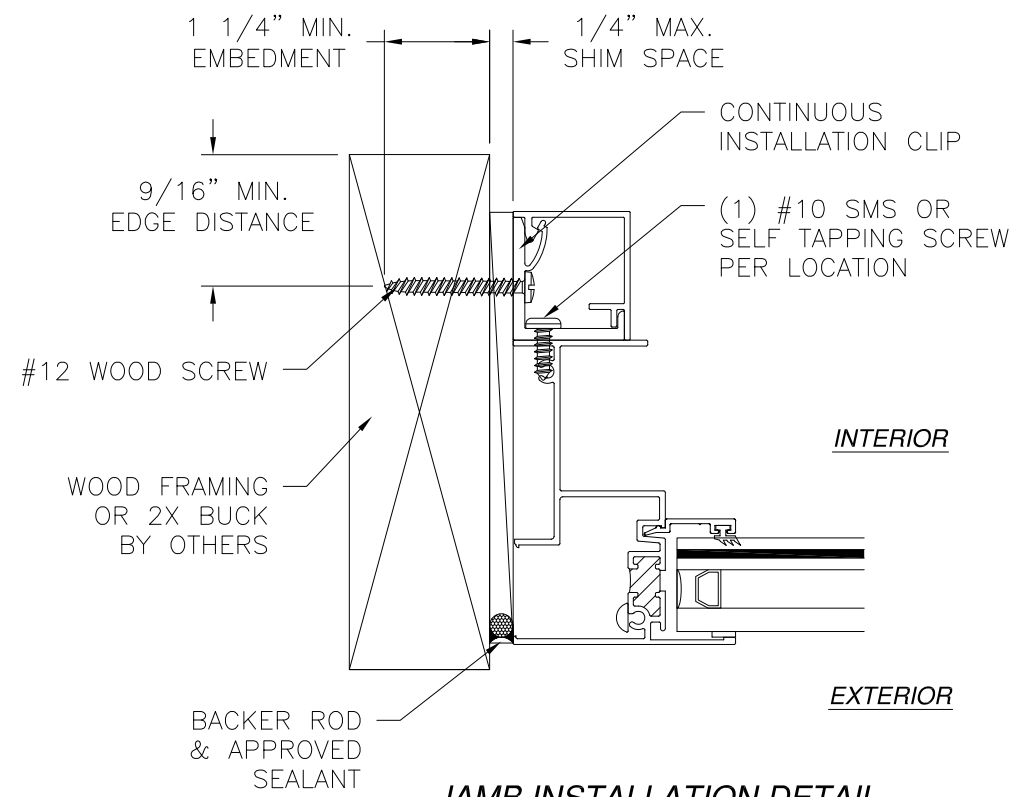


Luis R. Lomas P.E.  
FL No.: 62514

REVISIONS			
REV	DESCRIPTION	DATE	APPROVED



**VERTICAL CROSS SECTION**  
WOOD FRAMING OR 2X BUCK INSTALLATION



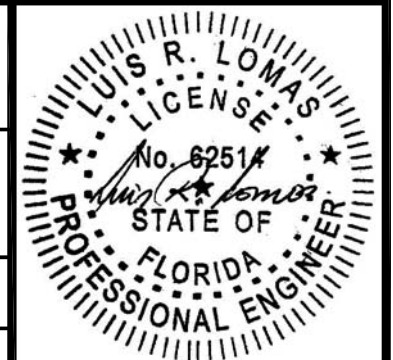
**JAMB INSTALLATION DETAIL**  
WOOD FRAMING OR 2X BUCK INSTALLATION

**NOTES:**

1. INTERIOR AND EXTERIOR FINISHES, BY OTHERS, NOT SHOWN FOR CLARITY.
2. PERIMETER AND JOINT SEALANT BY OTHERS TO BE DESIGNED IN ACCORDANCE WITH ASTM E2112

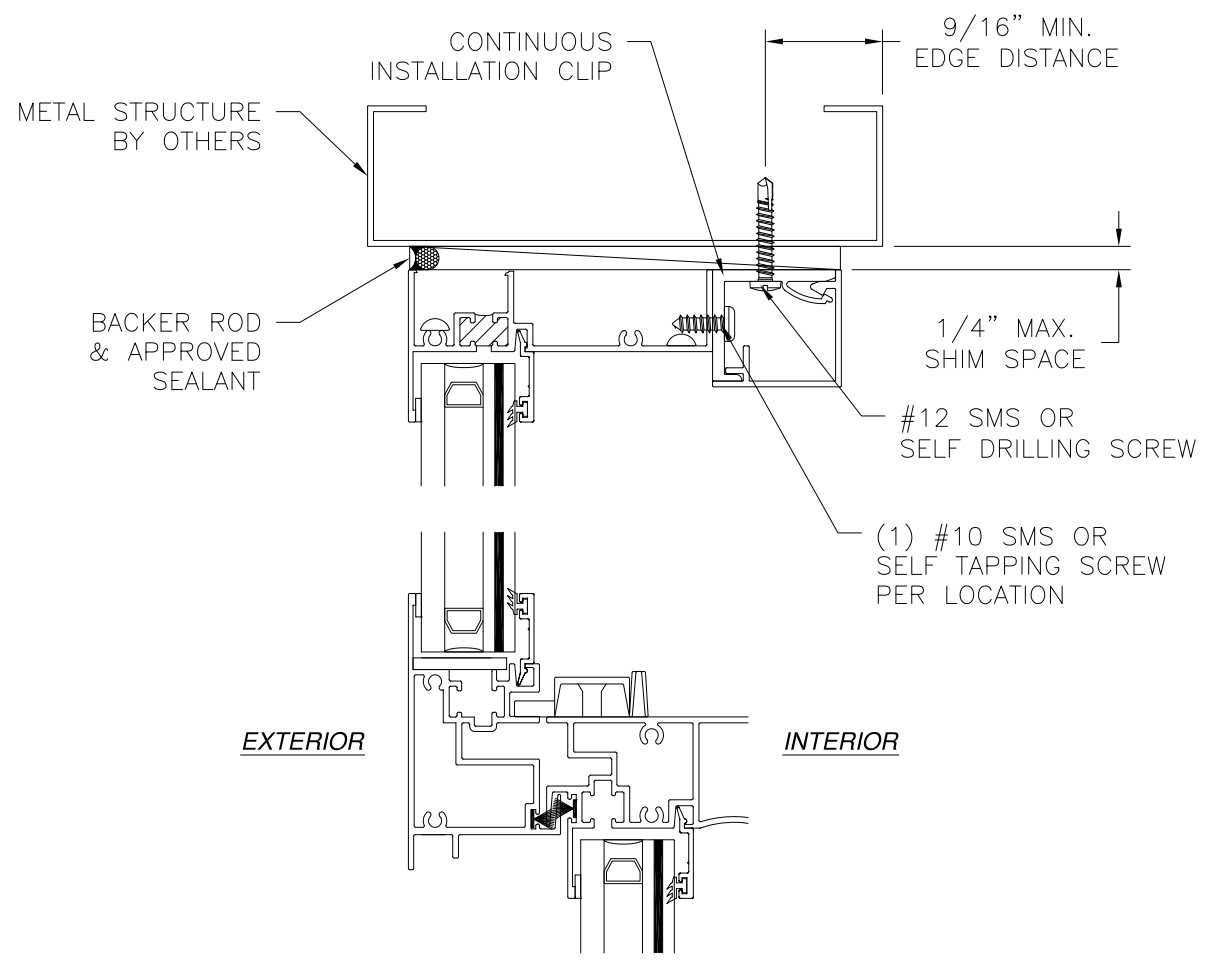
SIGNED: 08/27/2018

<b>ALL SEASONS COMMERCIAL</b> 1293 NORTH HARVEY MITCHELL PARKWAY BRYAN, TX 77803		
SERIES 3250 ALUMINUM SINGLE HUNG WINDOW 60" X 84" LARGE AND SMALL MISSILE IMPACT INSTALLATION DETAILS		
DRAWN: A.R.	DWG NO. 08-03274	REV -
SCALE NTS	DATE 07/13/18	SHEET 3 OF 7
L. ROBERTO LOMAS P.E. 1432 WOODFORD RD LEWISVILLE, NC 27023 434-688-0609 rllomas@rlomaspe.com		

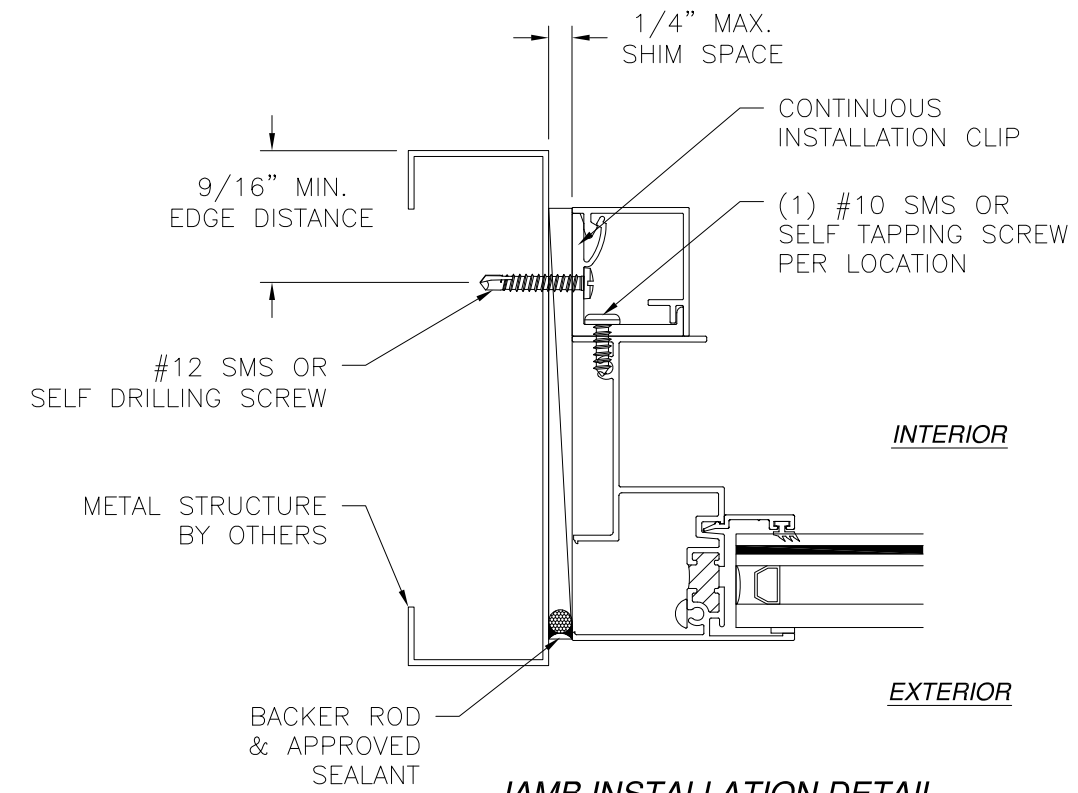


Luis R. Lomas P.E.  
FL No.: 62514

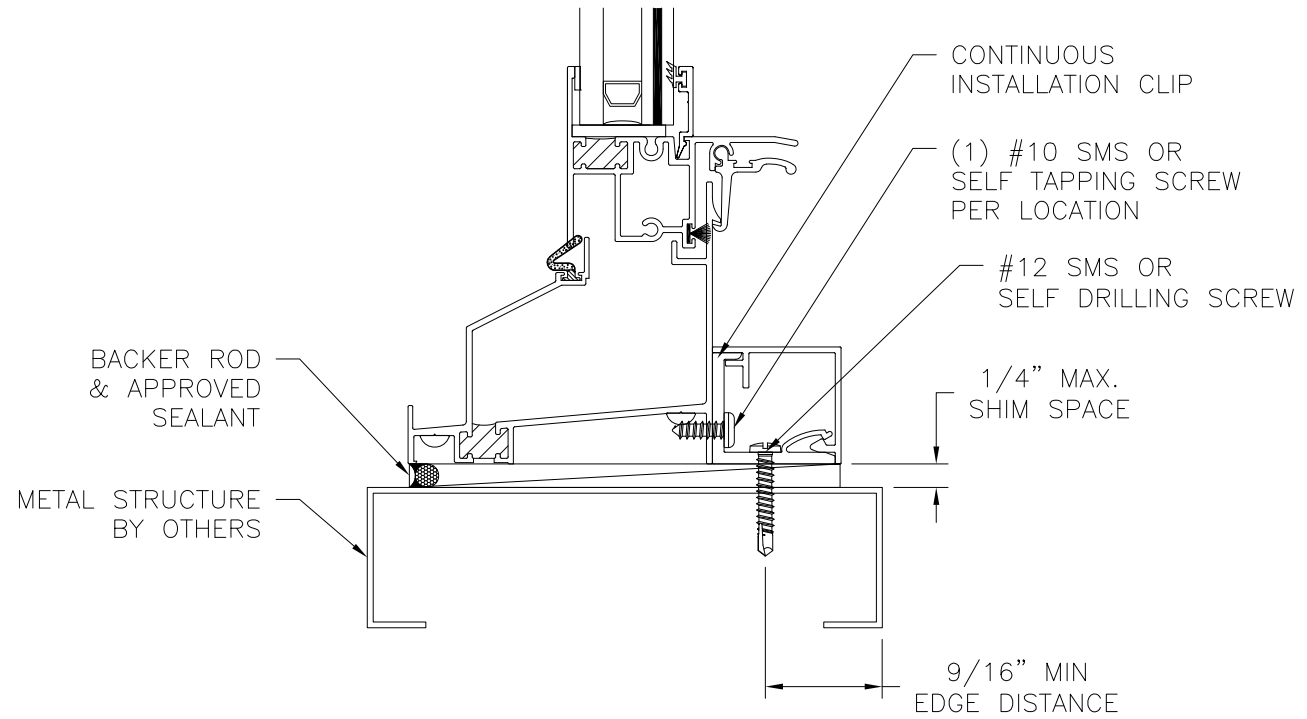
REVISIONS			
REV	DESCRIPTION	DATE	APPROVED



**VERTICAL CROSS SECTION**  
METAL STRUCTURE INSTALLATION



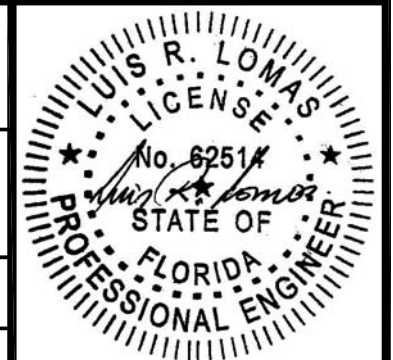
**JAMB INSTALLATION DETAIL**  
METAL STRUCTURE INSTALLATION



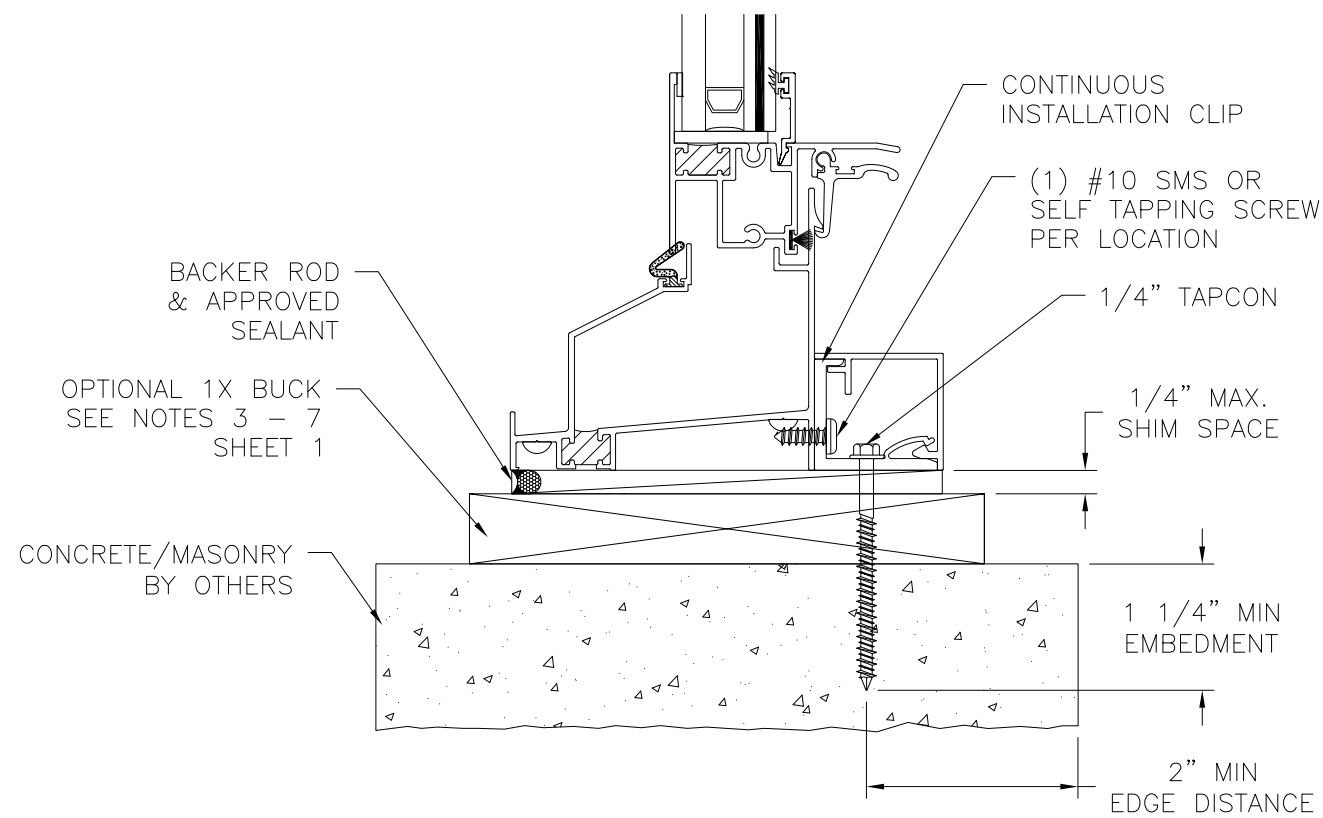
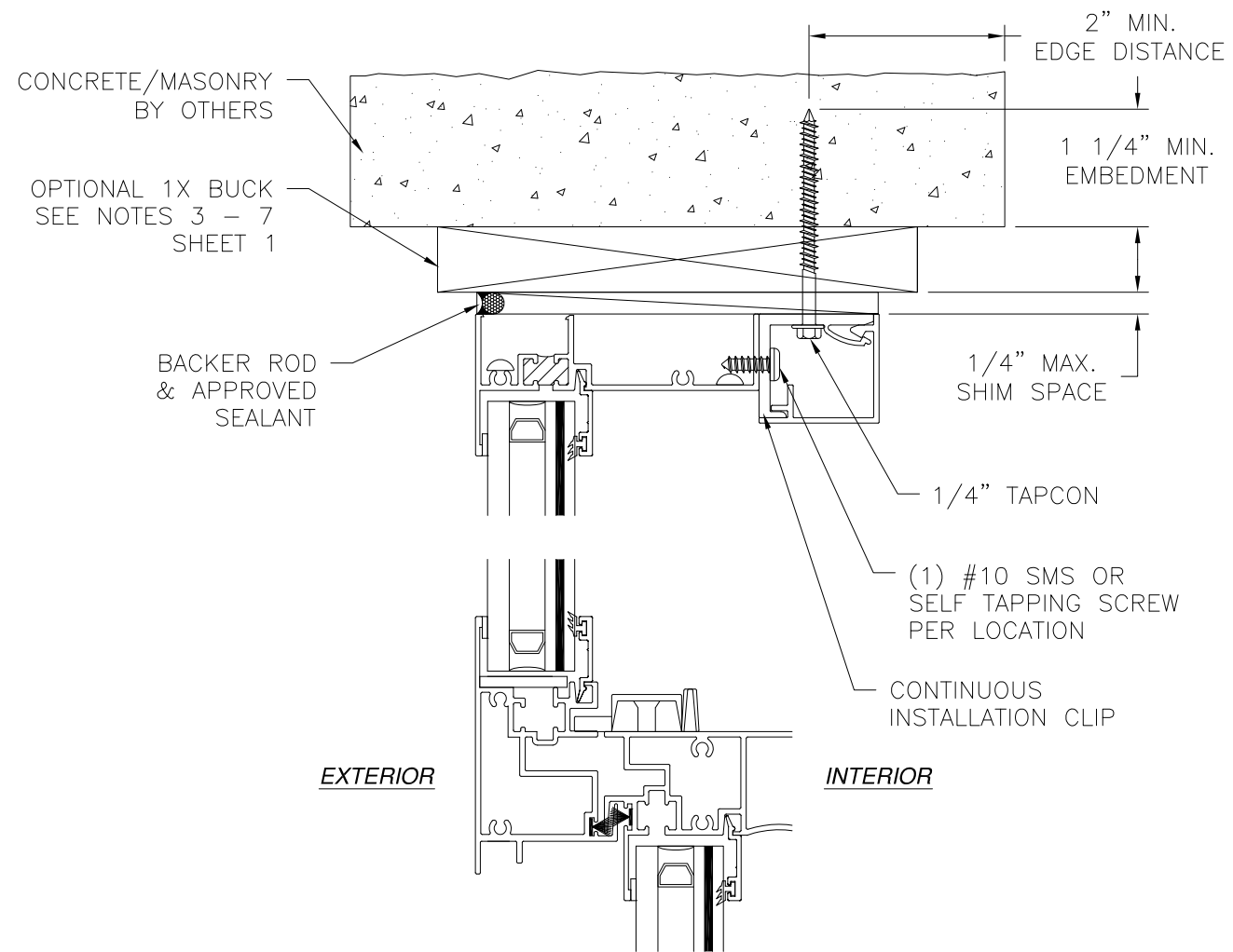
- NOTES:**
- INTERIOR AND EXTERIOR FINISHES, BY OTHERS, NOT SHOWN FOR CLARITY.
  - PERIMETER AND JOINT SEALANT BY OTHERS TO BE DESIGNED IN ACCORDANCE WITH ASTM E2112

SIGNED: 08/27/2018

<b>ALL SEASONS COMMERCIAL</b> 1293 NORTH HARVEY MITCHELL PARKWAY BRYAN, TX 77803		
SERIES 3250 ALUMINUM SINGLE HUNG WINDOW 60" X 84" LARGE AND SMALL MISSILE IMPACT INSTALLATION DETAILS		
DRAWN: A.R.	DWG NO. 08-03274	REV -
SCALE NTS	DATE 07/13/18	SHEET 4 OF 7
L. ROBERTO LOMAS P.E. 1432 WOODFORD RD LEWISVILLE, NC 27023 434-688-0609 rllomas@lrlomaspe.com		

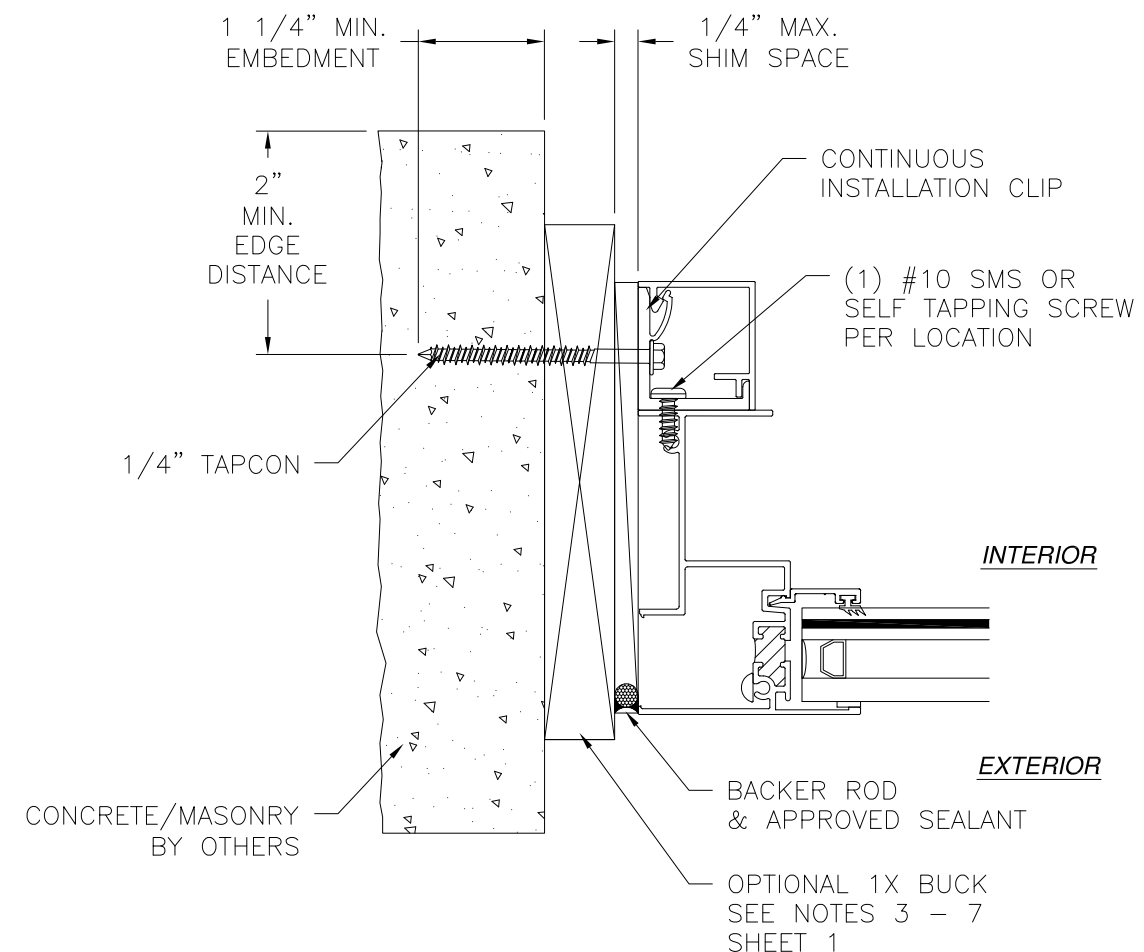


Luis R. Lomas P.E.  
FL No.: 62514



**VERTICAL CROSS SECTION**  
CONCRETE/MASONRY INSTALLATION

REVISIONS			
REV	DESCRIPTION	DATE	APPROVED



**JAMB INSTALLATION DETAIL**  
CONCRETE/MASONRY INSTALLATION

- NOTES:**
- INTERIOR AND EXTERIOR FINISHES, BY OTHERS, NOT SHOWN FOR CLARITY.
  - PERIMETER AND JOINT SEALANT BY OTHERS TO BE DESIGNED IN ACCORDANCE WITH ASTM E2112

SIGNED: 08/27/2018

ALL SEASONS COMMERCIAL  
1293 NORTH HARVEY MITCHELL PARKWAY  
BRYAN, TX 77803

SERIES 3250 ALUMINUM SINGLE HUNG WINDOW  
60" X 84" LARGE AND SMALL MISSILE IMPACT  
INSTALLATION DETAILS

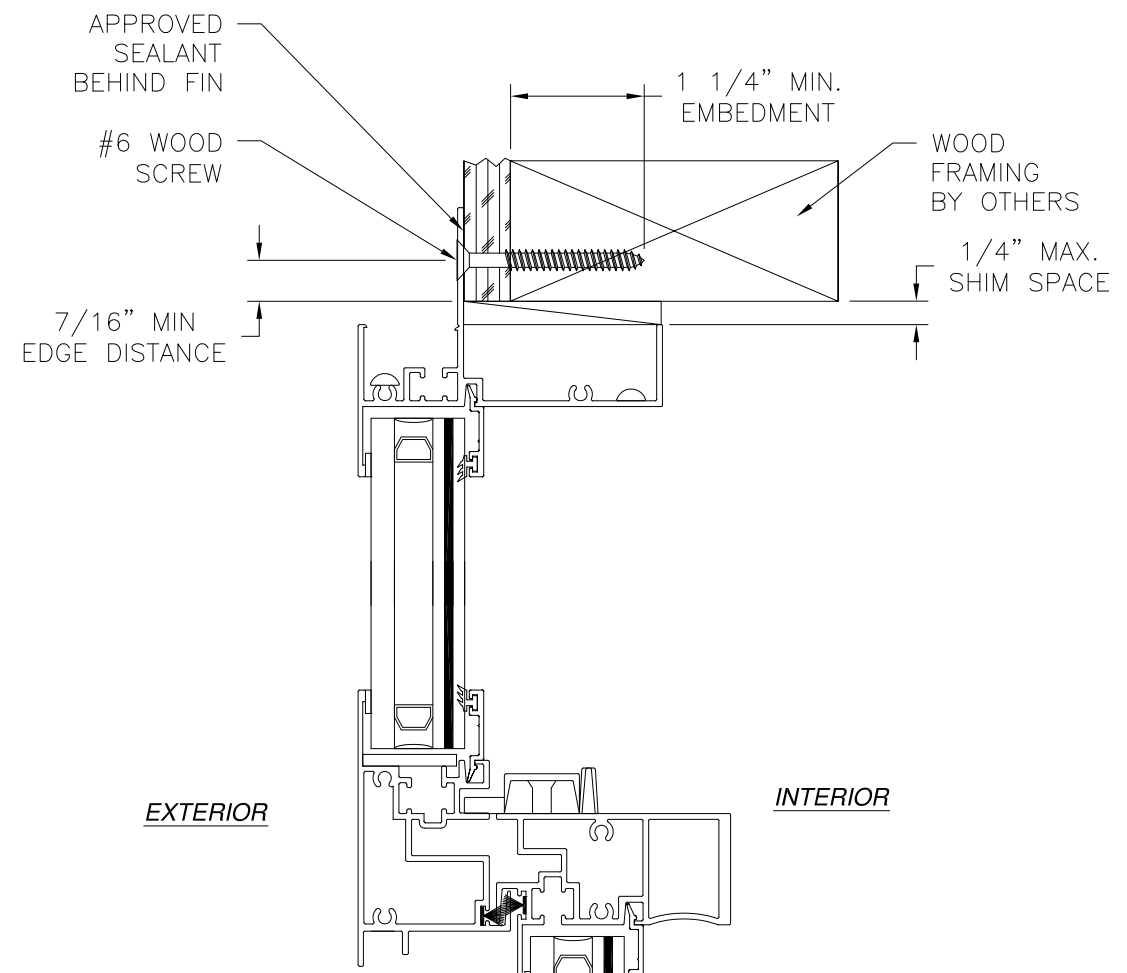
DRAWN: A.R.	DWG NO. 08-03274	REV -
SCALE NTS	DATE 07/13/18	SHEET 5 OF 7

L. ROBERTO LOMAS P.E.  
1432 WOODFORD RD LEWISVILLE, NC 27023  
434-688-0609 rllomas@rlomaspe.com

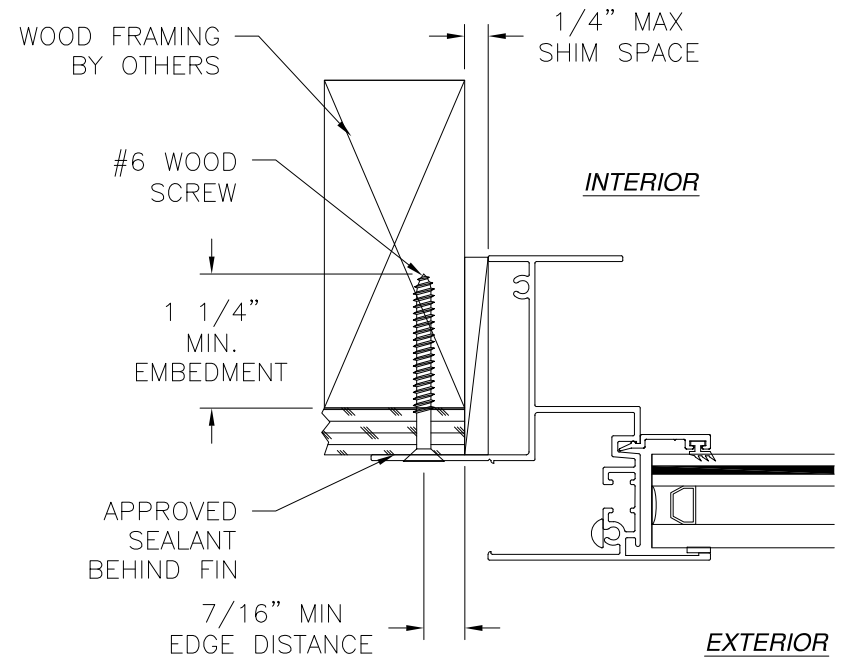


Luis R. Lomas P.E.  
FL No.: 62514

REVISIONS			
REV	DESCRIPTION	DATE	APPROVED



**VERTICAL CROSS SECTION**  
WOOD FRAMING OR 2X BUCK INSTALLATION

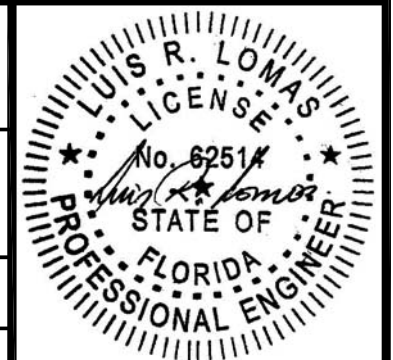


**JAMB INSTALLATION DETAIL**  
WOOD FRAMING OR 2X BUCK INSTALLATION

- NOTES:**
1. INTERIOR AND EXTERIOR FINISHES, BY OTHERS, NOT SHOWN FOR CLARITY.
  2. PERIMETER AND JOINT SEALANT BY OTHERS TO BE DESIGNED IN ACCORDANCE WITH ASTM E2112

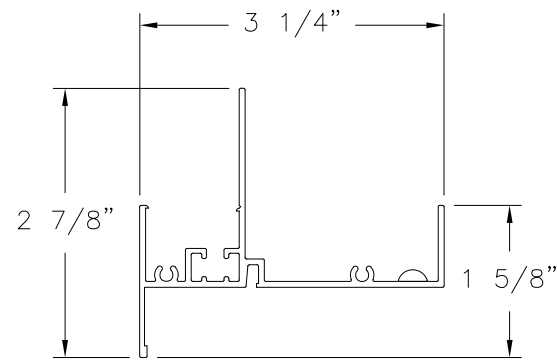
SIGNED: 08/27/2018

<b>ALL SEASONS COMMERCIAL</b> 1293 NORTH HARVEY MITCHELL PARKWAY BRYAN, TX 77803		
SERIES 3250 ALUMINUM SINGLE HUNG WINDOW 60" X 84" LARGE AND SMALL MISSILE IMPACT INSTALLATION DETAILS		
DRAWN: A.R.	DWG NO. 08-03274	REV -
SCALE NTS	DATE 07/13/18	SHEET 6 OF 7
L. ROBERTO LOMAS P.E. 1432 WOODFORD RD LEWISVILLE, NC 27023 434-688-0609 rllomas@rlomaspe.com		

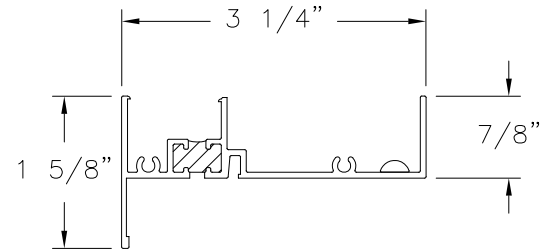


Luis R. Lomas P.E.  
FL No.: 62514

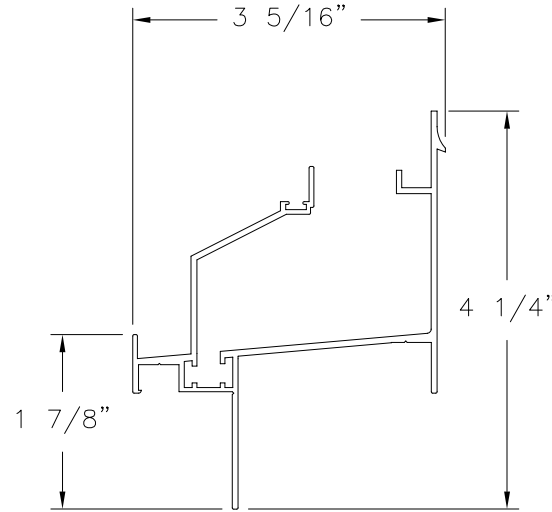
REVISIONS			
REV	DESCRIPTION	DATE	APPROVED



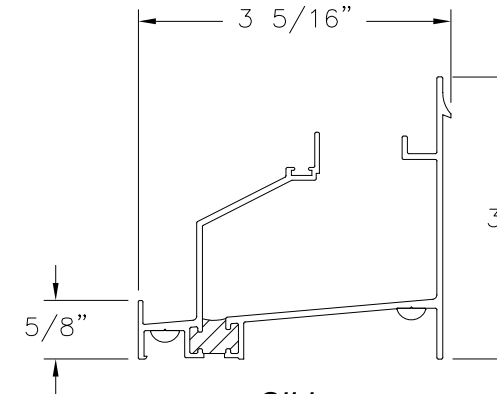
**HEAD  
FIN INSTALLATION**  
ALUMINUM 6063-T5 (12964)



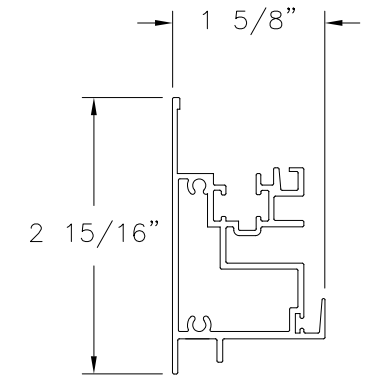
**HEAD  
FRAME INSTALLATION**  
ALUMINUM 6063-T5 (12964)



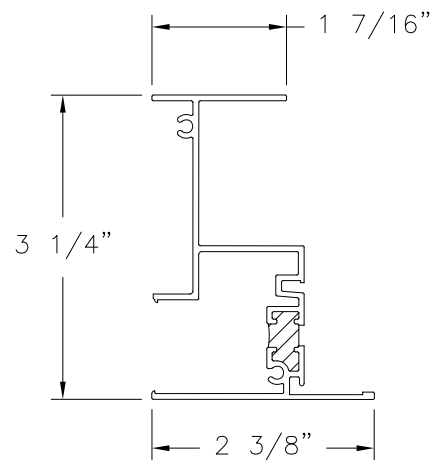
**SILL  
FIN INSTALLATION**  
ALUMINUM 6063-T5 (12966)



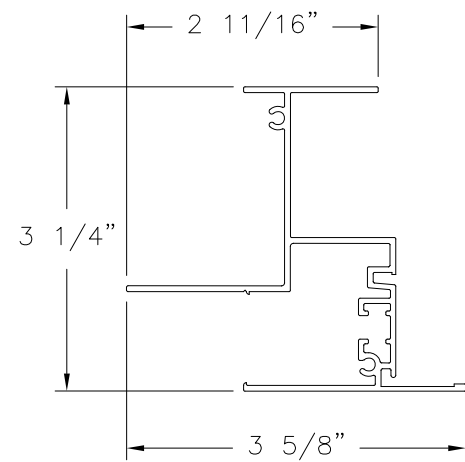
**SILL  
FRAME INSTALLATION**  
ALUMINUM 6063-T5 (12966)



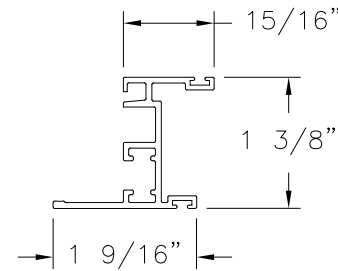
**MEETING RAIL**  
ALUMINUM 6063-T5 (12957)



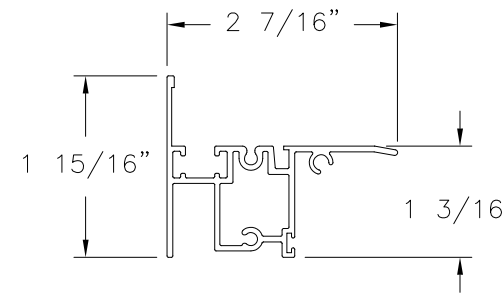
**JAMB  
FRAME INSTALLATION**  
ALUMINUM 6063-T5 (12965)



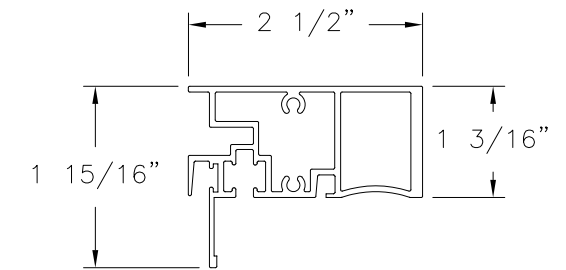
**JAMB  
FIN INSTALLATION**  
ALUMINUM 6063-T5 (12965)



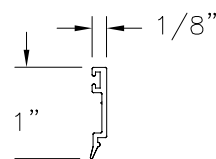
**SASH JAMB**  
ALUMINUM 6063-T5 (12969)



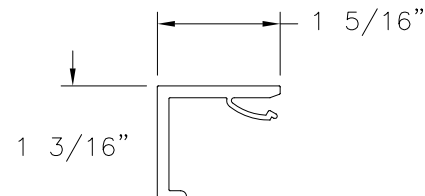
**SASH SILL**  
ALUMINUM 6063-T5 (12970)



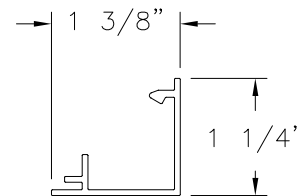
**SASH HEAD**  
ALUMINUM 6063-T5 (12953)



**GLAZING BEAD**  
ALUMINUM 6063-T5 (12972)



**INSTALL CLIP**  
ALUMINUM 6063-T5 (970)



**INSTALL CLIP COVER**  
ALUMINUM 6063-T5 (969)

SIGNED: 08/27/2018

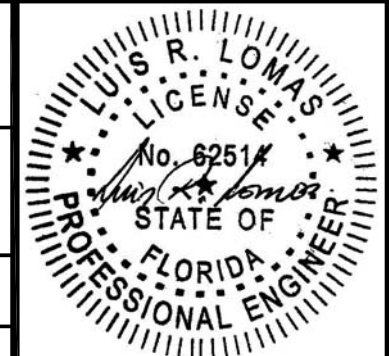
ALL SEASONS COMMERCIAL

1293 NORTH HARVEY MITCHELL PARKWAY  
BRYAN, TX 77803

SERIES 3250 ALUMINUM SINGLE HUNG WINDOW  
60" X 84" LARGE AND SMALL MISSILE IMPACT  
COMPONENTS

DRAWN: A.R.	DWG NO. 08-03274	REV -
SCALE NTS	DATE 07/13/18	SHEET 7 OF 7

L. ROBERTO LOMAS P.E.  
1432 WOODFORD RD LEWISVILLE, NC 27023  
434-688-0609 rllomas@lrlomaspe.com



Luis R. Lomas P.E.  
FL No.: 62514