

REVISIONS			
REV	DESCRIPTION	DATE	APPROVED
A	REVISED PER NEW CODE	02/05/2024	R.L.

NOTES:

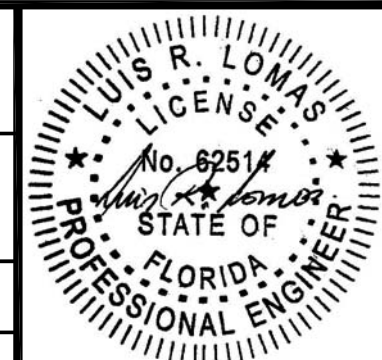
1. THE PRODUCT SHOWN HEREIN IS DESIGNED AND MANUFACTURED TO COMPLY WITH REQUIREMENTS OF THE FLORIDA BUILDING CODE.
2. WOOD FRAMING, METAL STRUCTURE AND MASONRY OPENING TO BE DESIGNED AND ANCHORED TO PROPERLY TRANSFER ALL LOADS TO STRUCTURE. FRAMING AND MASONRY OPENING IS THE RESPONSIBILITY OF THE ARCHITECT OR ENGINEER OF RECORD.
3. WHERE SHIM OR BUCK THICKNESS IS LESS THAN 1-1/2" UNITS MUST BE ANCHORED THROUGH THE FRAME IN ACCORDANCE WITH MANUFACTURER'S PUBLISHED INSTALLATION INSTRUCTIONS. ANCHORS SHALL BE SECURELY FASTENED DIRECTLY INTO MASONRY, CONCRETE OR OTHER STRUCTURAL SUBSTRATE MATERIAL.
4. WHERE WOOD BUCK THICKNESS IS 1-1/2" OR GREATER, BUCK SHALL BE SECURELY FASTENED TO MASONRY, CONCRETE OR OTHER STRUCTURAL SUBSTRATE. UNITS MAY BE ANCHORED THROUGH FRAME TO SECURED WOOD BUCK IN ACCORDANCE WITH MANUFACTURER'S PUBLISHED INSTALLATION INSTRUCTIONS.
5. WHERE 1X BUCK IS NOT USED DISSIMILAR MATERIALS MUST BE SEPARATED WITH APPROVED COATING OR MEMBRANE. SELECTION OF COATING OR MEMBRANE IS THE RESPONSIBILITY OF THE ARCHITECT OR ENGINEER OF RECORD.
6. BUCKS SHALL EXTEND BEYOND UNIT FRAME INTERIOR FACE SO THAT FULL FRAME SUPPORT IS PROVIDED.
7. SHIM AS REQUIRED AT EACH ANCHOR LOCATION WITH LOAD BEARING SHIM. SHIM WHERE SPACE OF 1/16" OR GREATER OCCURS. MAXIMUM ALLOWABLE SHIM STACK TO BE 1/4".
8. SHIMS SHALL BE LOCATED, APPLIED AND MADE FROM MATERIALS AND THICKNESS CAPABLE OF SUSTAINING APPLICABLE LOADS.
9. WIND LOAD DURATION FACTOR Cd=1.6 WAS USED FOR WOOD ANCHOR CALCULATIONS.
10. FRAME MATERIAL: ALUMINUM 6063-T5
11. UNITS MUST BE GLAZED PER ASTM E1300.
12. APPROVED IMPACT PROTECTIVE SYSTEM IS REQUIRED FOR THIS PRODUCT IN WIND BORNE DEBRIS REGIONS.

13. FOR ANCHORING THROUGH FIN INTO WOOD FRAMING OR 2X BUCK USE #8 WOOD SCREWS WITH SUFFICIENT LENGTH TO ACHIEVE A 1 1/4" MINIMUM EMBEDMENT INTO SUBSTRATE. LOCATE ANCHORS AS SHOWN IN ELEVATIONS AND INSTALLATION DETAILS.
14. FOR ANCHORING THROUGH FIN INTO METAL STRUCTURE USE #8 SMS OR SELF DRILLING SCREWS WITH SUFFICIENT LENGTH TO ACHIEVE 3 THREADS MINIMUM BEYOND STRUCTURE INTERIOR WALL. LOCATE ANCHORS AS SHOWN IN ELEVATIONS AND INSTALLATION DETAILS.
15. FOR ANCHORING THROUGH FRAME INTO WOOD FRAMING OR 2X BUCK USE #12 WOOD SCREWS WITH SUFFICIENT LENGTH TO ACHIEVE A 1 3/8" MINIMUM EMBEDMENT INTO SUBSTRATE. LOCATE ANCHORS AS SHOWN IN ELEVATIONS AND INSTALLATION DETAILS.
16. FOR ANCHORING THROUGH FRAME INTO MASONRY/CONCRETE USE 1/4" TAPCONS WITH SUFFICIENT LENGTH TO ACHIEVE A 1 1/4" MINIMUM EMBEDMENT INTO SUBSTRATE WITH 2" MINIMUM EDGE DISTANCE. LOCATE ANCHORS AS SHOWN IN ELEVATIONS AND INSTALLATION DETAILS.
17. FOR ANCHORING THROUGH FRAME INTO METAL STRUCTURE USE #12 SMS OR SELF DRILLING SCREWS WITH SUFFICIENT LENGTH TO ACHIEVE 3 THREADS MINIMUM BEYOND STRUCTURE INTERIOR WALL. LOCATE ANCHORS AS SHOWN IN ELEVATIONS AND INSTALLATION DETAILS.
18. ALL FASTENERS TO BE CORROSION RESISTANT.
19. INSTALLATION ANCHORS SHALL BE INSTALLED IN ACCORDANCE WITH ANCHOR MANUFACTURER'S INSTALLATION INSTRUCTIONS AND ANCHORS SHALL NOT BE USED IN SUBSTRATES WITH STRENGTHS LESS THAN THE MINIMUM STRENGTH SPECIFIED BELOW:
 - 19.1. WOOD: MINIMUM SPECIFIC GRAVITY OF G=0.42
 - 19.2. CONCRETE: MINIMUM COMPRESSIVE STRENGTH OF 2,000 PSI.
 - 19.3. MASONRY: HOLLOW/FILLED BLOCK PER ASTM C90 WITH Fm=2,000PSI MINIMUM.
 - 19.4. METAL STRUCTURE: STEEL 18GA (.048") FY=33KSI/FU=52KSI OR ALUMINUM 6063-T5 FU=30KSI 1/8" THICK MINIMUM

SIGNED: 02/12/2024

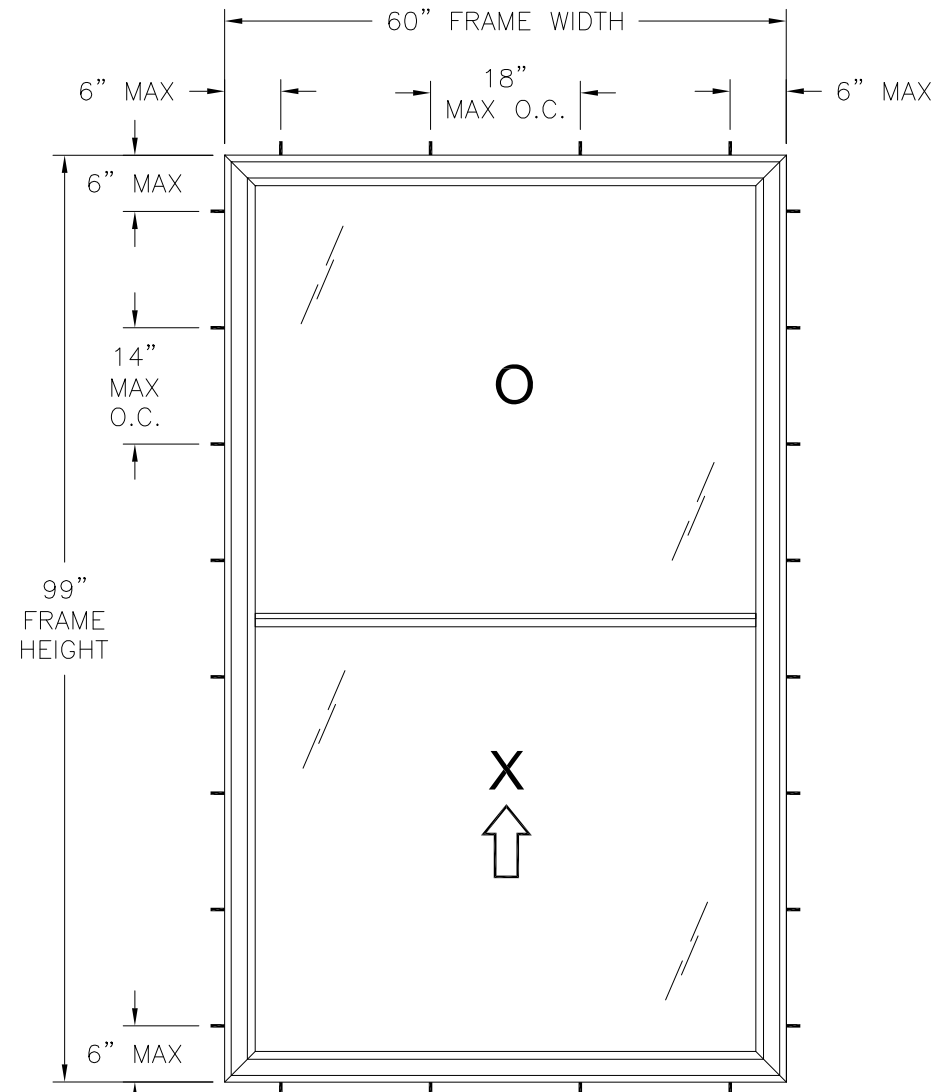
TABLE OF CONTENTS	
SHEET NO.	DESCRIPTION
1	NOTES
2	ELEVATIONS
3 - 7	INSTALLATION DETAILS
8	COMPONENTS

ALL SEASONS COMMERCIAL 1293 NORTH HARVEY MITCHELL PARKWAY BRYAN, TX 77803		
SERIES 3250 ALUMINUM SINGLE HUNG WINDOW 60" X 99" NON-IMPACT NOTES		
DRAWN: A.R.	DWG NO. 08-03225	REV A
SCALE NTS	DATE 03/22/18	SHEET 1 OF 8
L. ROBERTO LOMAS P.E. 1432 WOODFORD RD LEWISVILLE, NC 27023 434-688-0609 rllomas@rlomaspe.com		

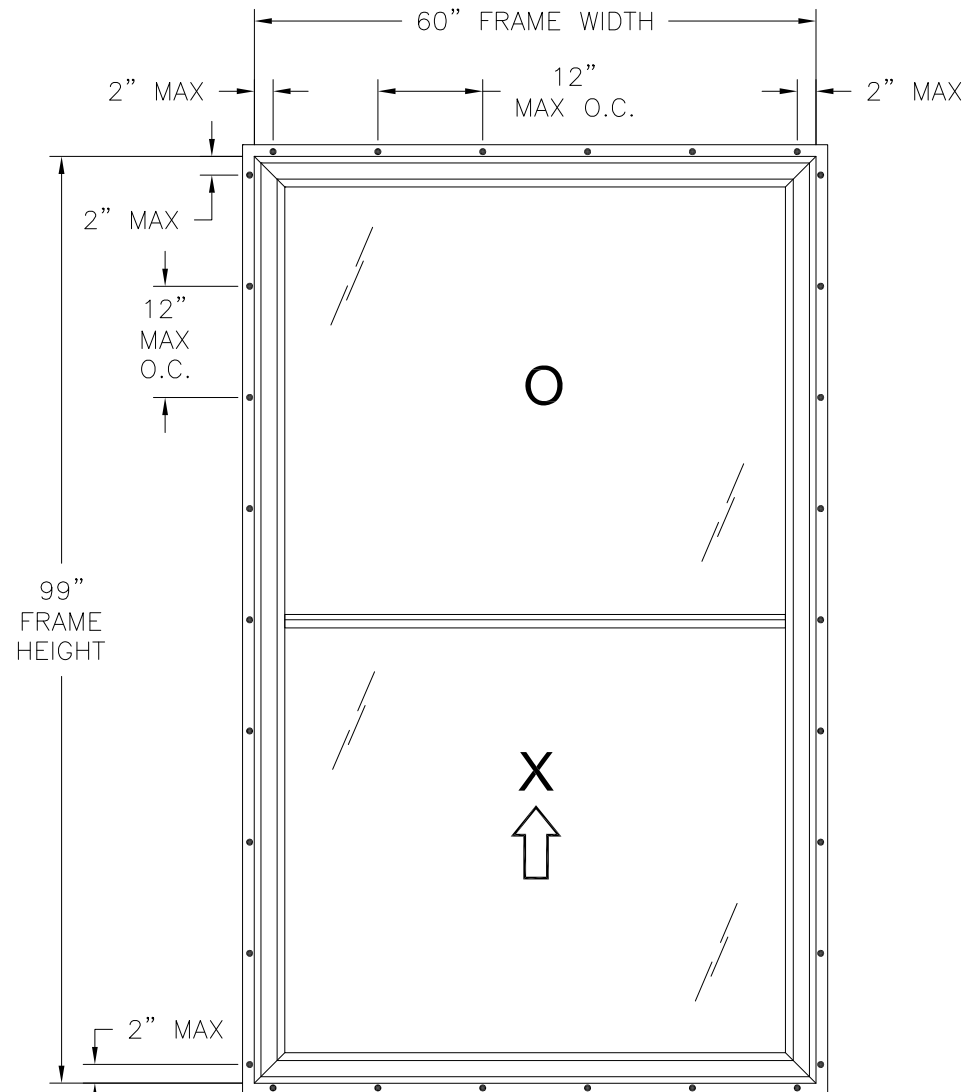


Luis R. Lomas P.E.
FL No.: 62514

REVISIONS			
REV	DESCRIPTION	DATE	APPROVED
A	REVISED PER NEW CODE	02/05/2024	R.L.



SERIES 3250 SINGLE HUNG WINDOW
EXTERIOR VIEW
FRAME INSTALLATION



SERIES 3250 SINGLE HUNG WINDOW
EXTERIOR VIEW
FIN INSTALLATION

DESIGN PRESSURE RATING	IMPACT RATING
±75.0PSF	NONE

NOTES:

- SASH SIZE: 57 3/16" x 48 3/16"
- FIXED D.L.O.: 55 3/16" x 44 7/8"
- SASH D.L.O.: 54 1/2" x 45"

HARDWARE SCHEDULE

A.	(1) COMPOSITE SWEEP LOCK AT EACH END OF SASH TOP RAIL
B.	(2) SPIRAL BALANCE, ONE AT EACH SASH STILE

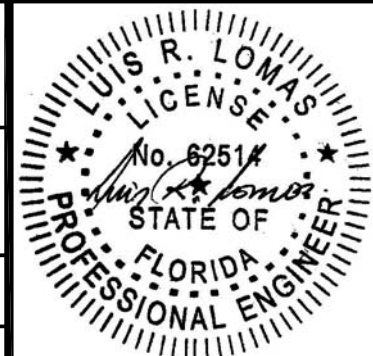
ALL SEASONS COMMERCIAL
1293 NORTH HARVEY MITCHELL PARKWAY
BRYAN, TX 77803

SERIES 3250 ALUMINUM SINGLE HUNG WINDOW
60" X 99" NON-IMPACT
ELEVATIONS

DRAWN: A.R.	DWG NO. 08-03225	REV A
SCALE NTS	DATE 03/22/18	SHEET 2 OF 8

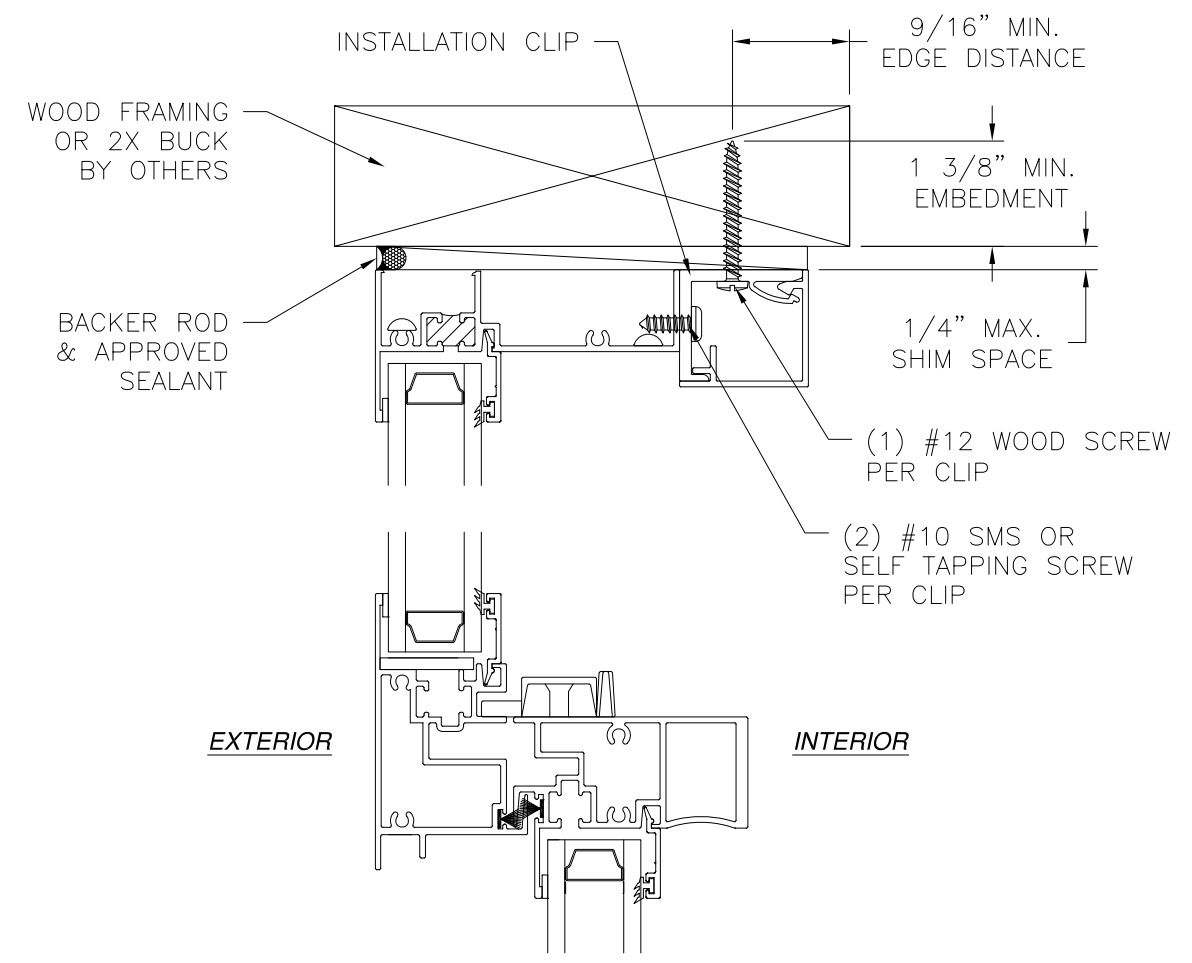
L. ROBERTO LOMAS P.E.
1432 WOODFORD RD LEWISVILLE, NC 27023
434-688-0609 rllomas@lrlomaspe.com

SIGNED: 02/12/2024

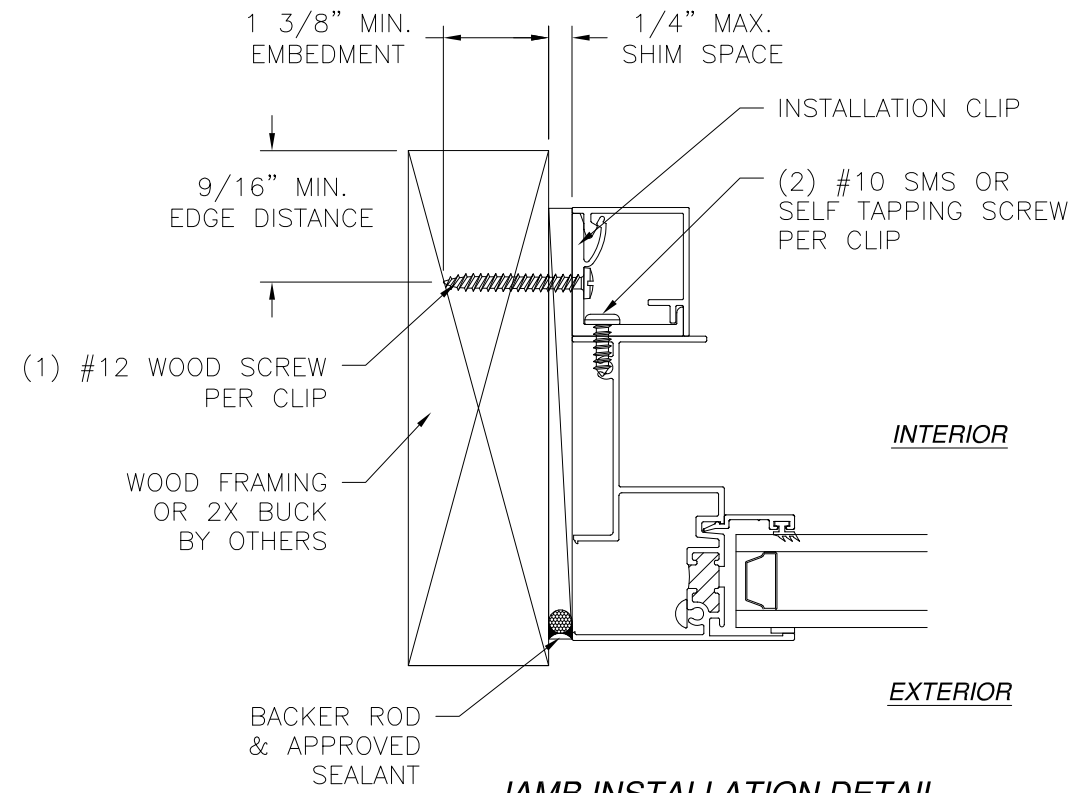


Luis R. Lomas P.E.
FL No.: 62514

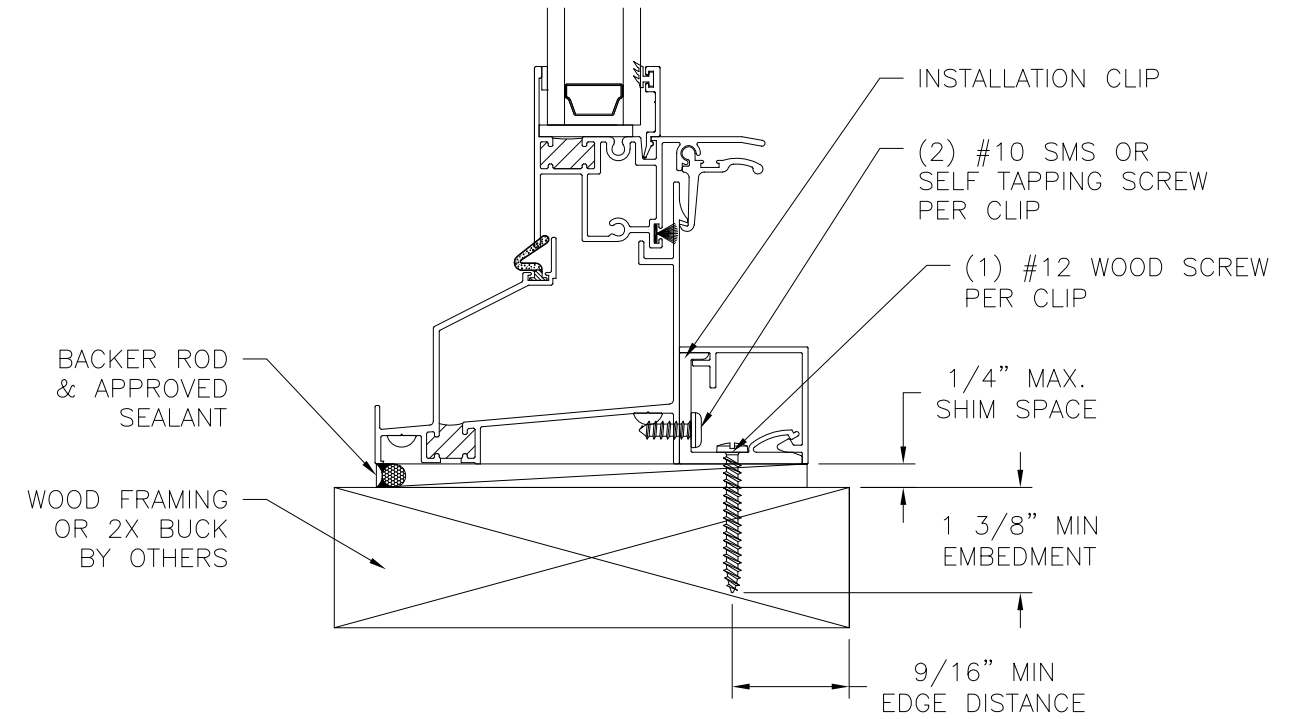
REVISIONS			
REV	DESCRIPTION	DATE	APPROVED
A	REVISED PER NEW CODE	02/05/2024	R.L.



VERTICAL CROSS SECTION
WOOD FRAMING OR 2X BUCK INSTALLATION



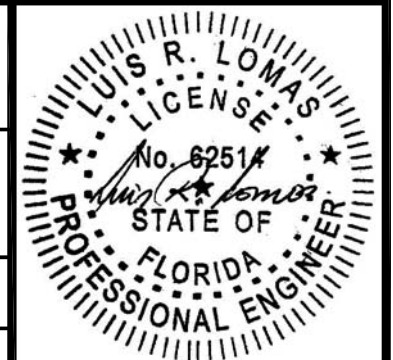
JAMB INSTALLATION DETAIL
WOOD FRAMING OR 2X BUCK INSTALLATION



- NOTES:**
- INTERIOR AND EXTERIOR FINISHES, BY OTHERS, NOT SHOWN FOR CLARITY.
 - PERIMETER AND JOINT SEALANT BY OTHERS TO BE DESIGNED IN ACCORDANCE WITH ASTM E2112

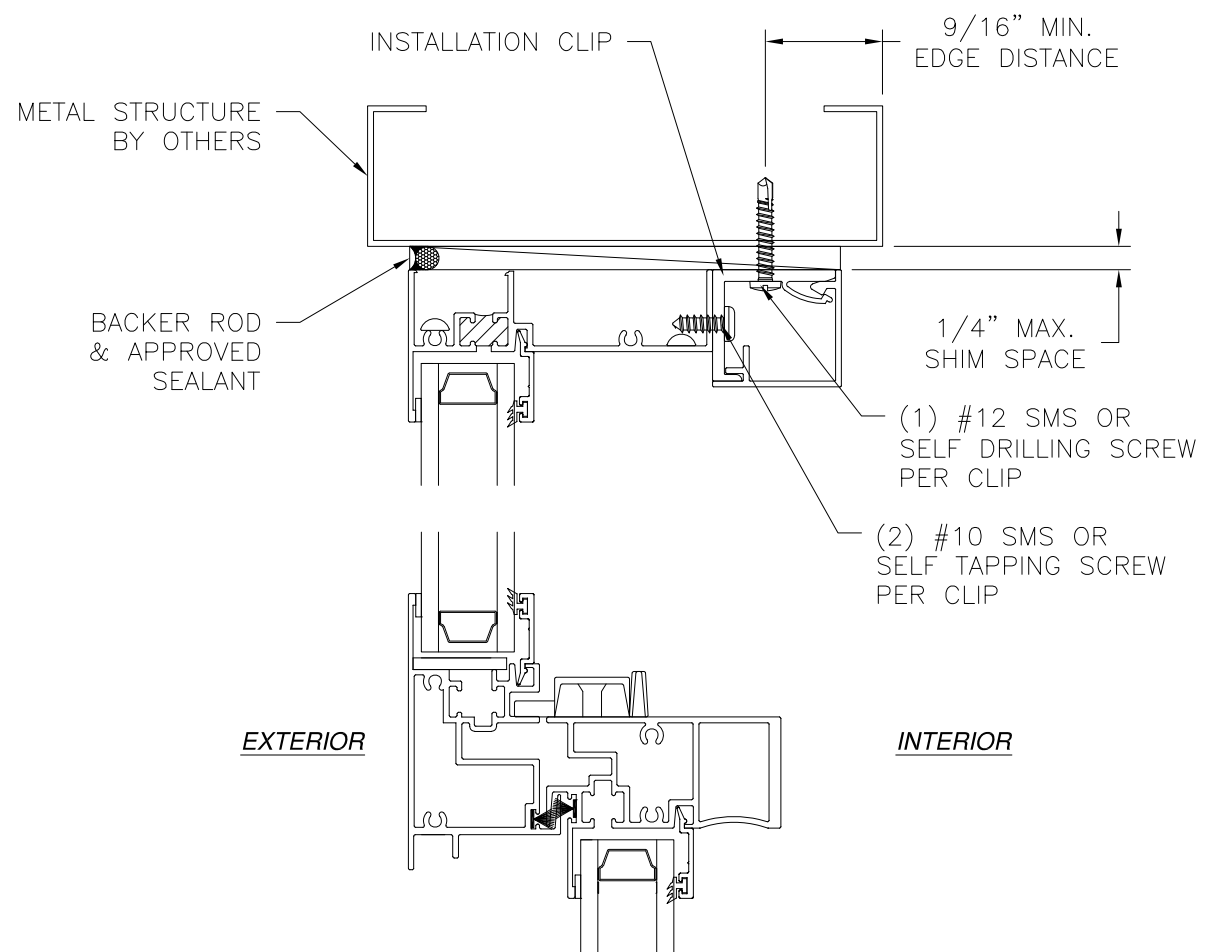
SIGNED: 02/12/2024

ALL SEASONS COMMERCIAL 1293 NORTH HARVEY MITCHELL PARKWAY BRYAN, TX 77803		
SERIES 3250 ALUMINUM SINGLE HUNG WINDOW 60" X 99" NON-IMPACT INSTALLATION DETAILS		
DRAWN: A.R.	DWG NO. 08-03225	REV A
SCALE NTS	DATE 03/22/18	SHEET 3 OF 8
L. ROBERTO LOMAS P.E. 1432 WOODFORD RD LEWISVILLE, NC 27023 434-688-0609 rllomas@lrlomaspe.com		

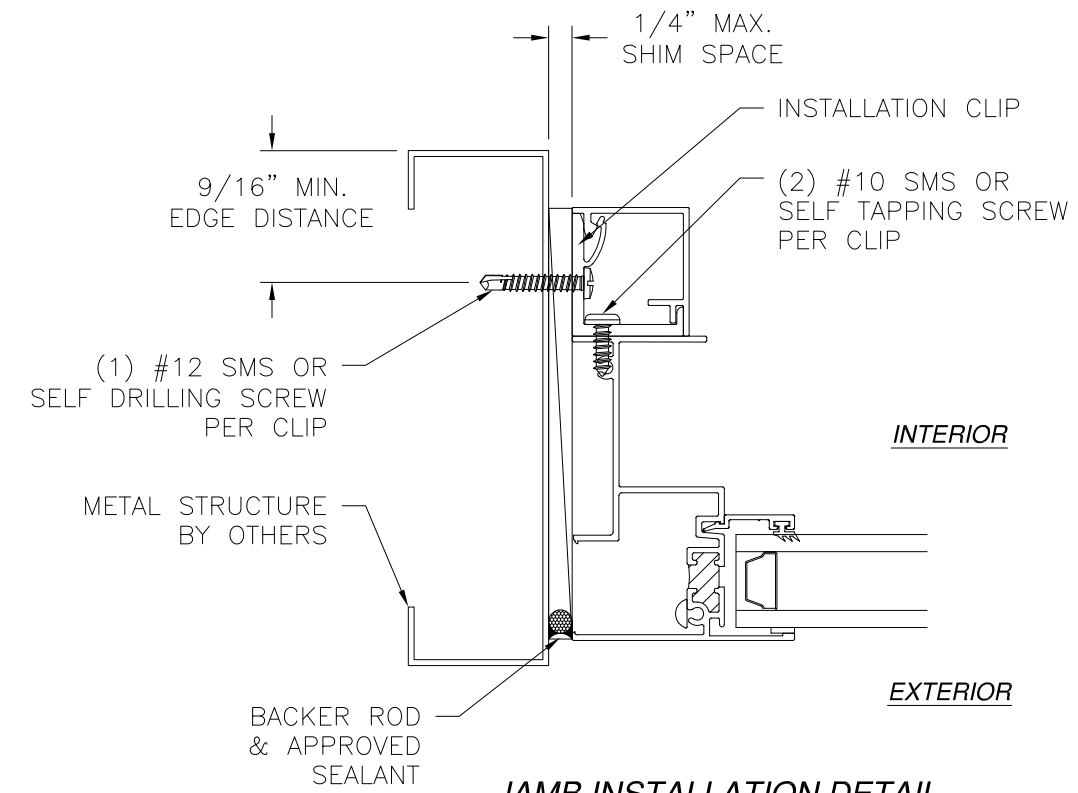


Luis R. Lomas P.E.
FL No.: 62514

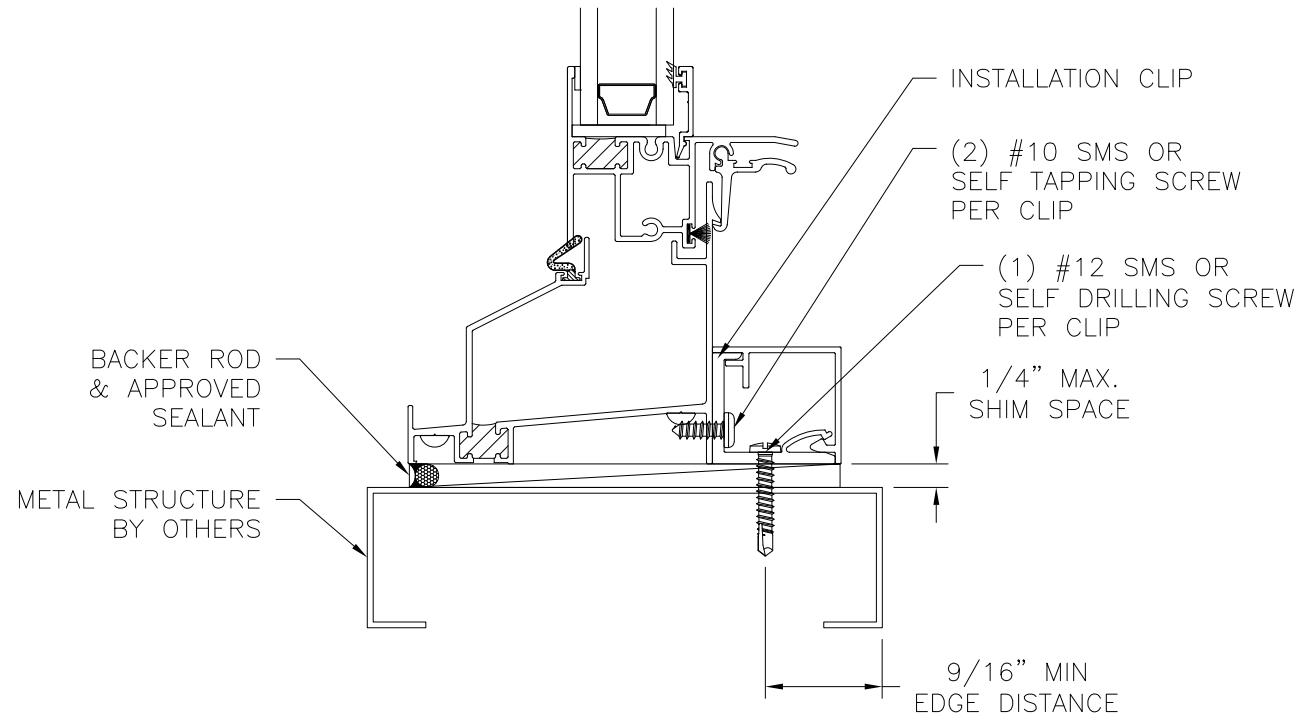
REVISIONS			
REV	DESCRIPTION	DATE	APPROVED
A	REVISED PER NEW CODE	02/05/2024	R.L.



VERTICAL CROSS SECTION
METAL STRUCTURE INSTALLATION



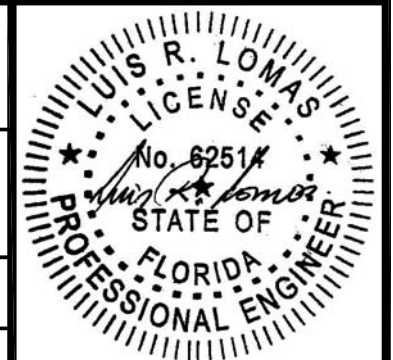
JAMB INSTALLATION DETAIL
METAL STRUCTURE INSTALLATION



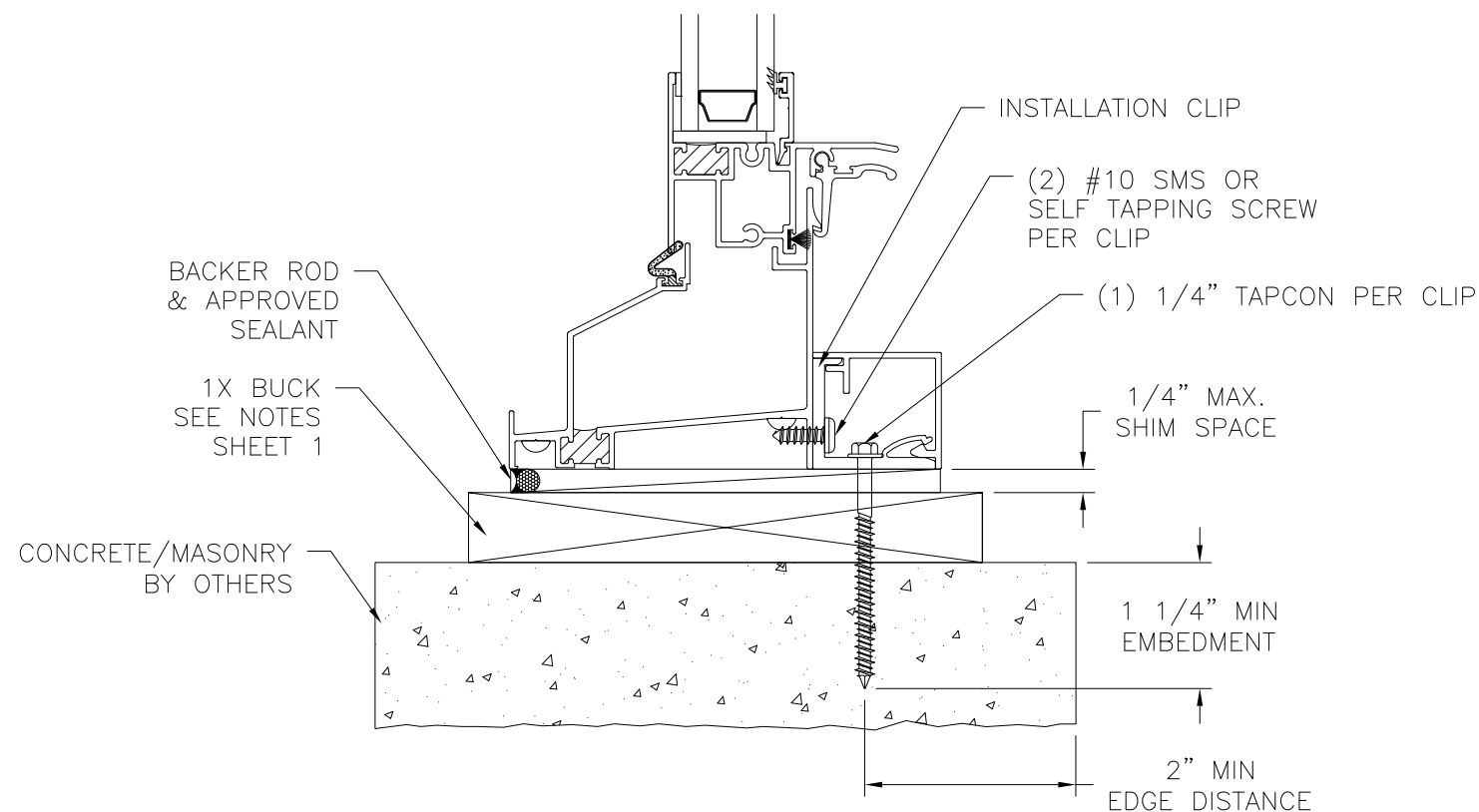
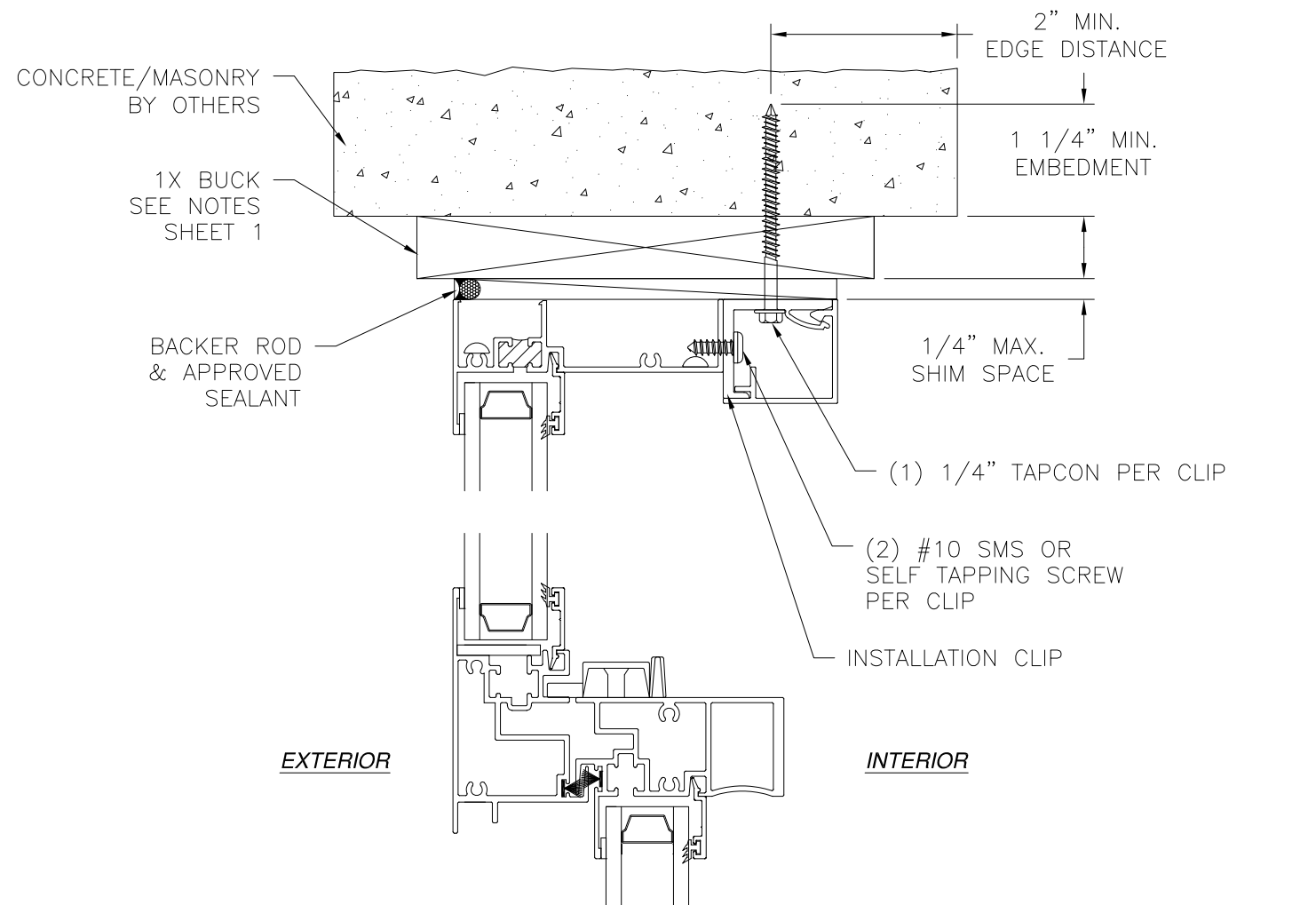
- NOTES:**
- INTERIOR AND EXTERIOR FINISHES, BY OTHERS, NOT SHOWN FOR CLARITY.
 - PERIMETER AND JOINT SEALANT BY OTHERS TO BE DESIGNED IN ACCORDANCE WITH ASTM E2112

SIGNED: 02/12/2024

<p>ALL SEASONS COMMERCIAL 1293 NORTH HARVEY MITCHELL PARKWAY BRYAN, TX 77803</p>		
<p>SERIES 3250 ALUMINUM SINGLE HUNG WINDOW 60" X 99" NON-IMPACT INSTALLATION DETAILS</p>		
DRAWN: A.R.	DWG NO. 08-03225	REV A
SCALE NTS	DATE 03/22/18	SHEET 4 OF 8
<p>L. ROBERTO LOMAS P.E. 1432 WOODFORD RD LEWISVILLE, NC 27023 434-688-0609 rllomas@lrlomaspe.com</p>		

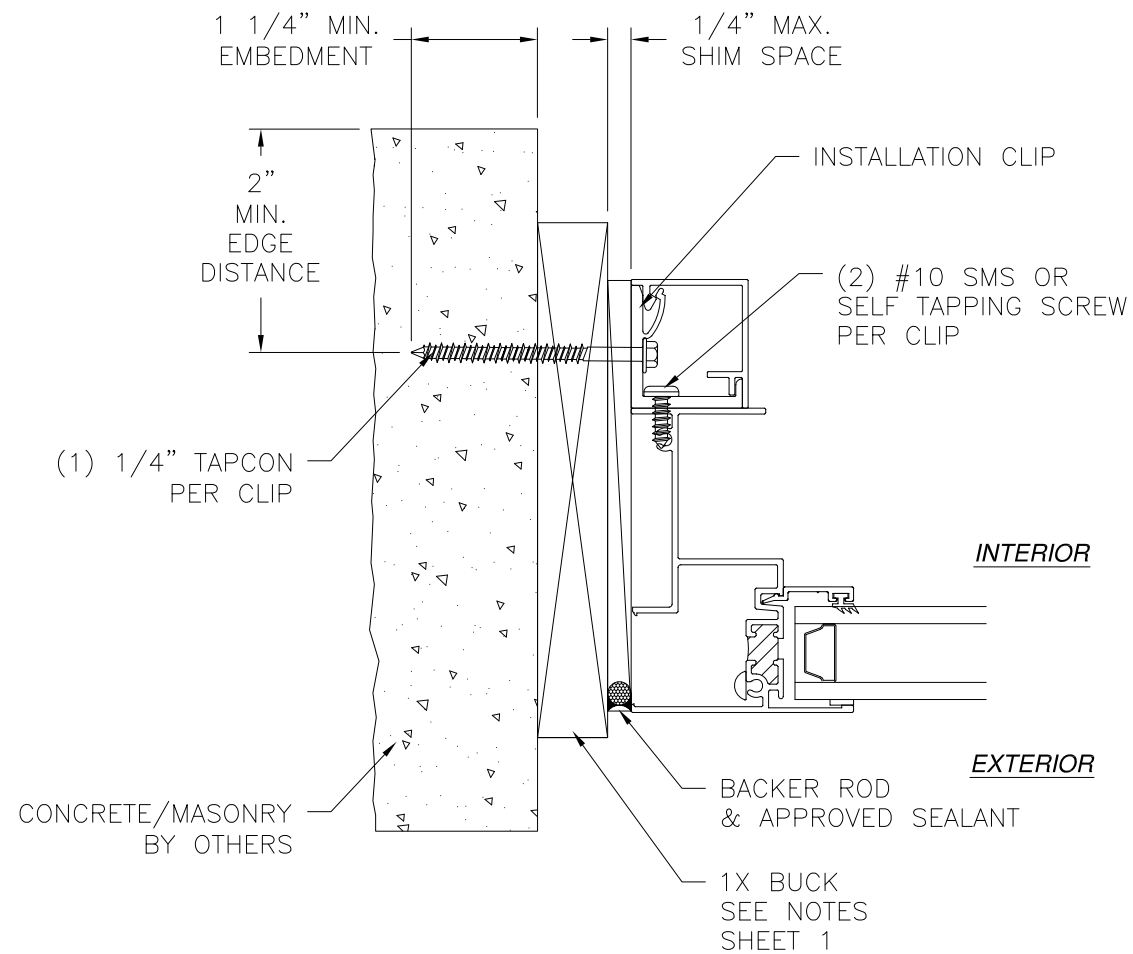


Luis R. Lomas P.E.
FL No.: 62514



**VERTICAL CROSS SECTION
CONCRETE/MASONRY INSTALLATION**

REVISIONS			
REV	DESCRIPTION	DATE	APPROVED
A	REVISED PER NEW CODE	02/05/2024	R.L.



**JAMB INSTALLATION DETAIL
CONCRETE/MASONRY INSTALLATION**

NOTES:

1. INTERIOR AND EXTERIOR FINISHES, BY OTHERS, NOT SHOWN FOR CLARITY.
2. PERIMETER AND JOINT SEALANT BY OTHERS TO BE DESIGNED IN ACCORDANCE WITH ASTM E2112

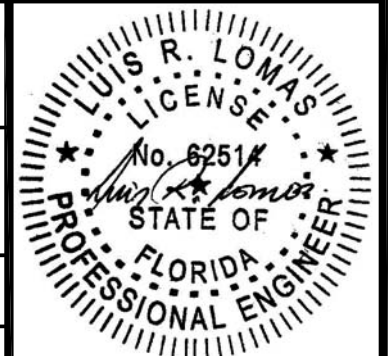
SIGNED: 02/12/2024

ALL SEASONS COMMERCIAL
1293 NORTH HARVEY MITCHELL PARKWAY
BRYAN, TX 77803

SERIES 3250 ALUMINUM SINGLE HUNG WINDOW
60" X 99" NON-IMPACT
INSTALLATION DETAILS

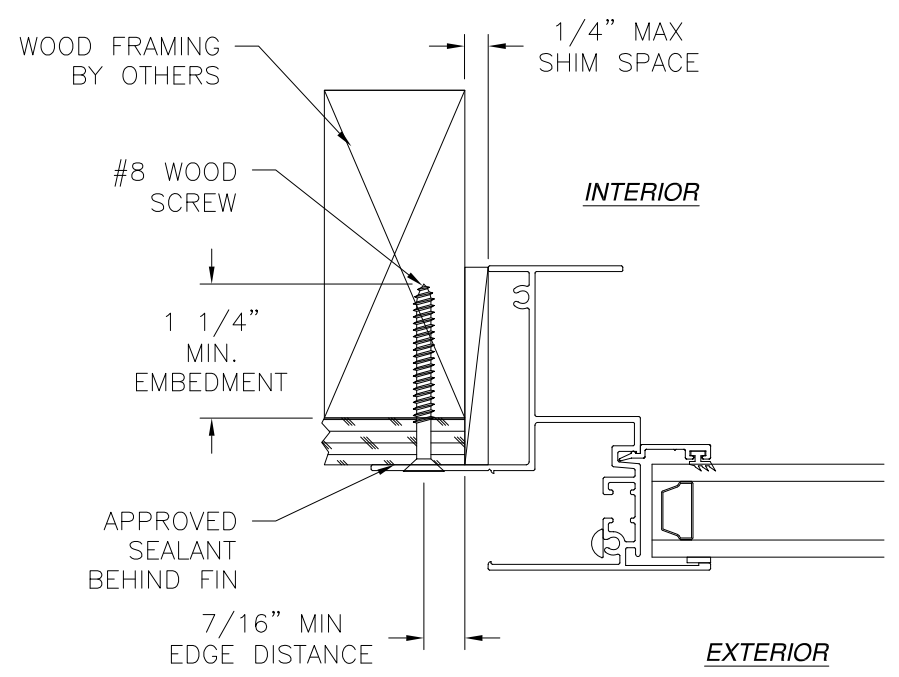
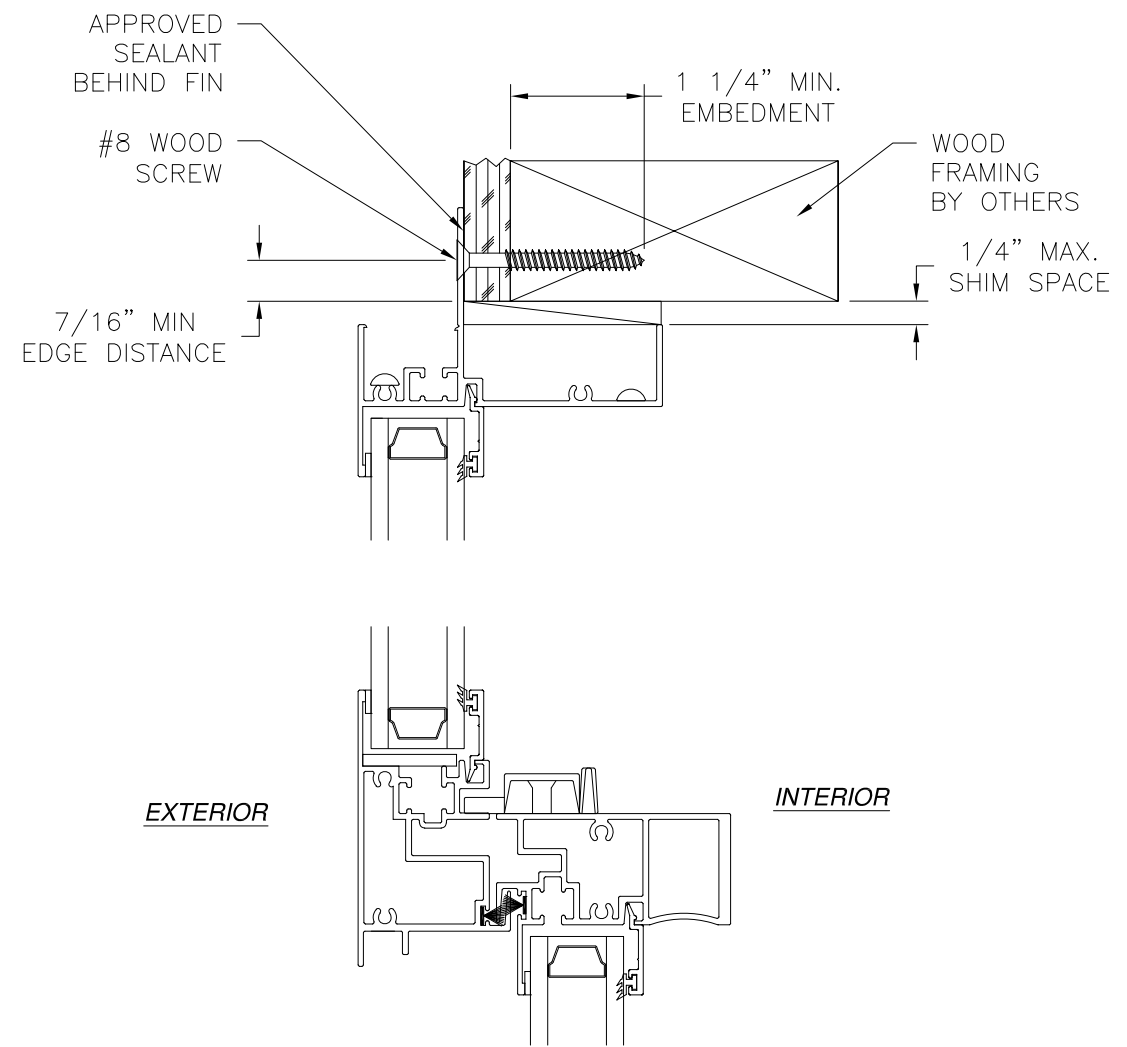
DRAWN: A.R.	DWG NO. 08-03225	REV A
SCALE NTS	DATE 03/22/18	SHEET 5 OF 8

L. ROBERTO LOMAS P.E.
1432 WOODFORD RD LEWISVILLE, NC 27023
434-688-0609 rllomas@rlomaspe.com



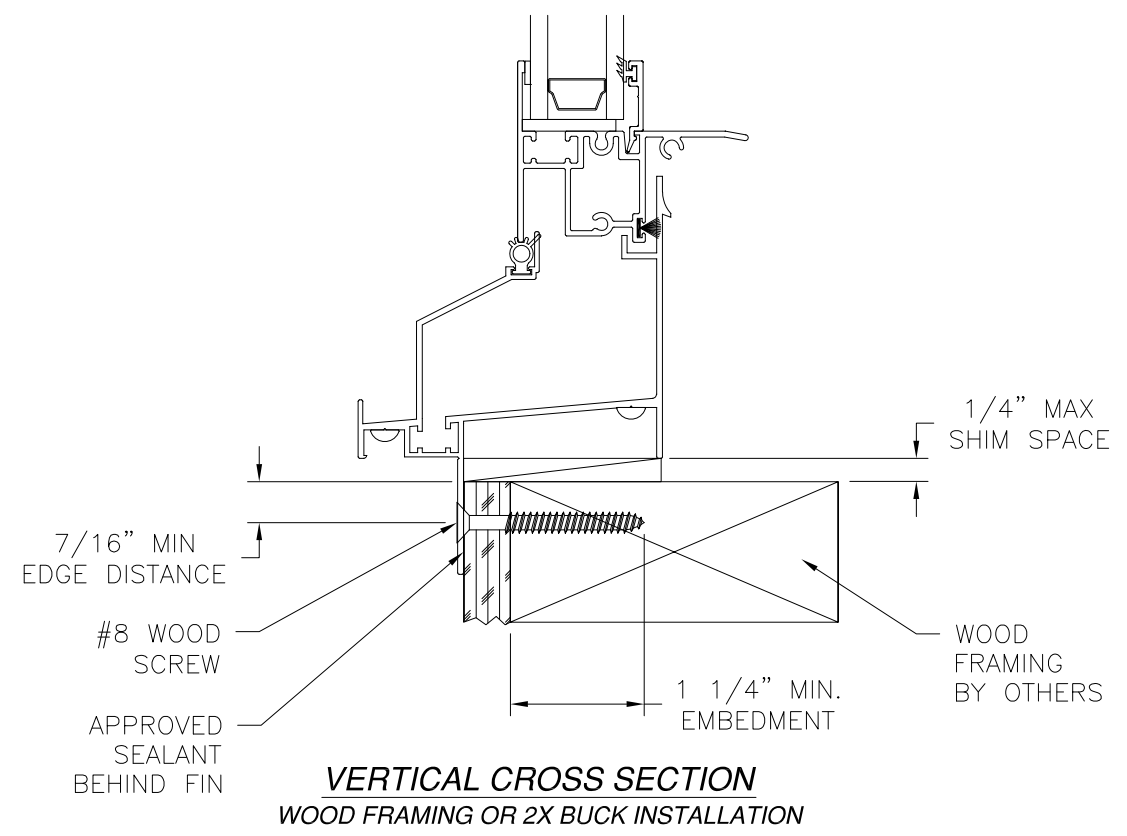
Luis R. Lomas P.E.
FL No.: 62514

REVISIONS			
REV	DESCRIPTION	DATE	APPROVED
A	REVISED PER NEW CODE	02/05/2024	R.L.



JAMB INSTALLATION DETAIL
WOOD FRAMING OR 2X BUCK INSTALLATION

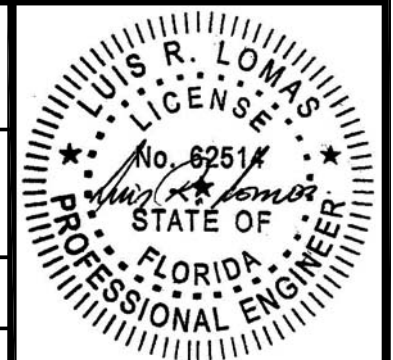
- NOTES:**
1. INTERIOR AND EXTERIOR FINISHES, BY OTHERS, NOT SHOWN FOR CLARITY.
 2. PERIMETER AND JOINT SEALANT BY OTHERS TO BE DESIGNED IN ACCORDANCE WITH ASTM E2112



VERTICAL CROSS SECTION
WOOD FRAMING OR 2X BUCK INSTALLATION

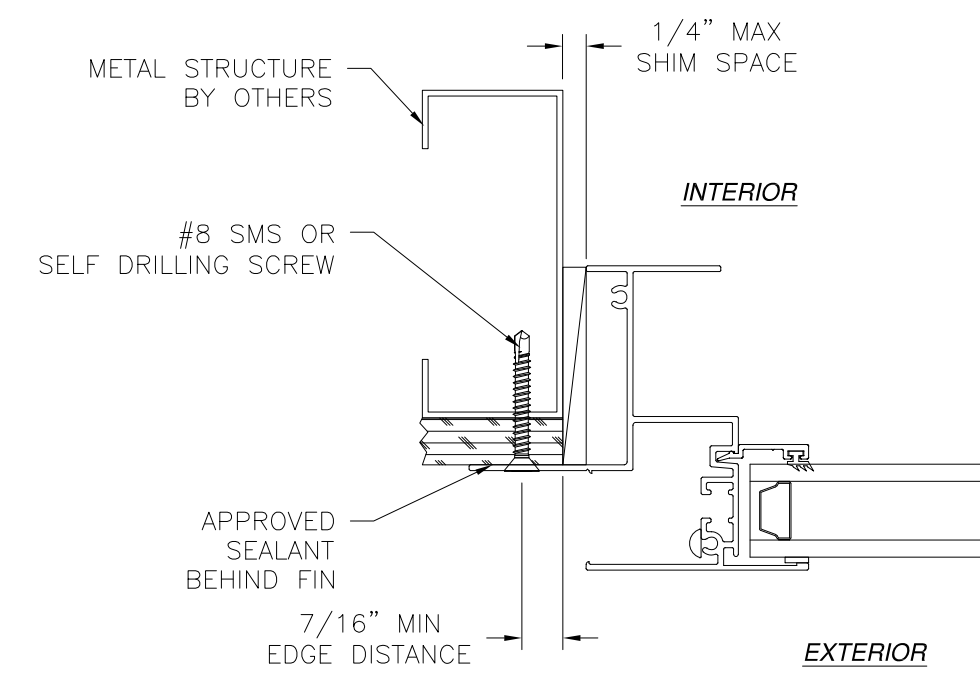
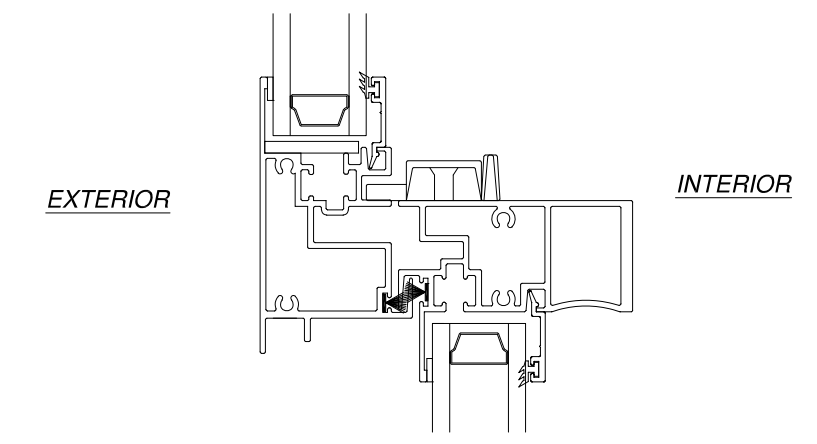
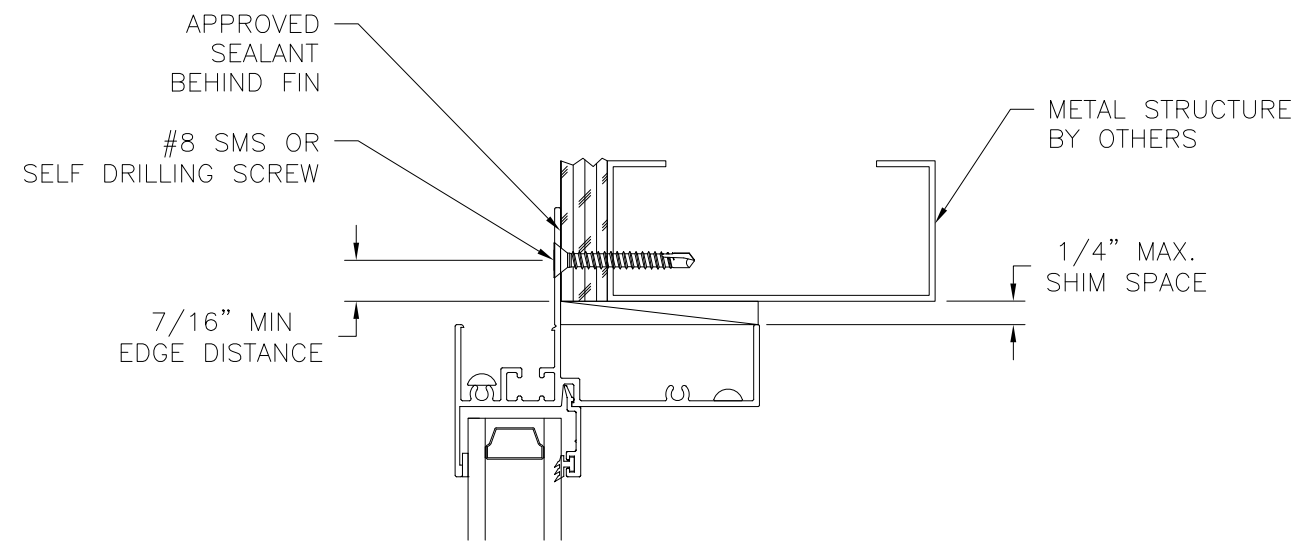
SIGNED: 02/12/2024

ALL SEASONS COMMERCIAL 1293 NORTH HARVEY MITCHELL PARKWAY BRYAN, TX 77803		
SERIES 3250 ALUMINUM SINGLE HUNG WINDOW 60" X 99" NON-IMPACT FIN INSTALLATION DETAILS		
DRAWN: A.R.	DWG NO. 08-03225	REV A
SCALE NTS	DATE 03/22/18	SHEET 6 OF 8
L. ROBERTO LOMAS P.E. 1432 WOODFORD RD LEWISVILLE, NC 27023 434-688-0609 rllomas@rlomaspe.com		

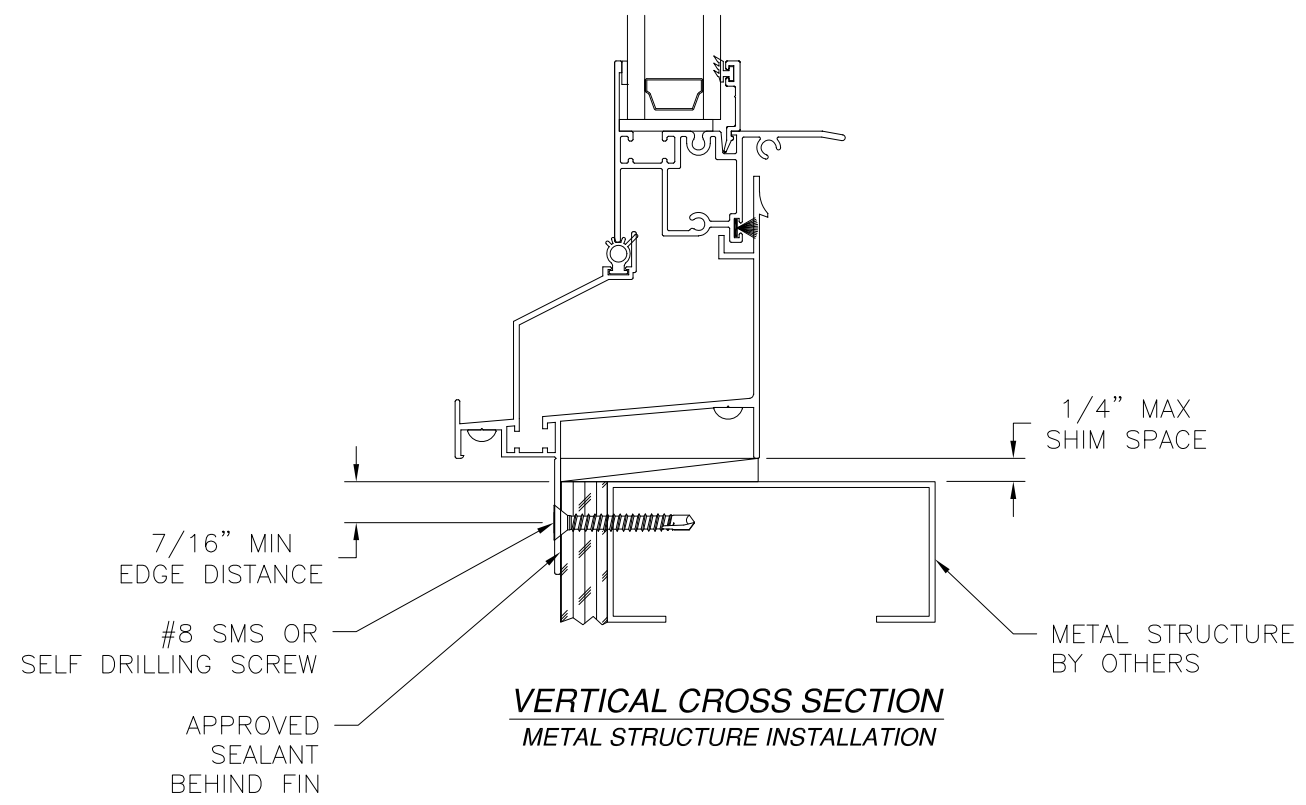


Luis R. Lomas P.E.
FL No.: 62514

REVISIONS			
REV	DESCRIPTION	DATE	APPROVED
A	REVISED PER NEW CODE	02/05/2024	R.L.



JAMB INSTALLATION DETAIL
METAL STRUCTURE INSTALLATION

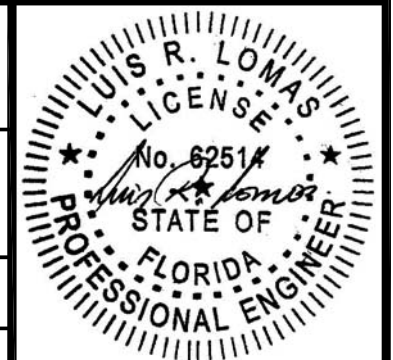


VERTICAL CROSS SECTION
METAL STRUCTURE INSTALLATION

- NOTES:
1. INTERIOR AND EXTERIOR FINISHES, BY OTHERS, NOT SHOWN FOR CLARITY.
 2. PERIMETER AND JOINT SEALANT BY OTHERS TO BE DESIGNED IN ACCORDANCE WITH ASTM E2112

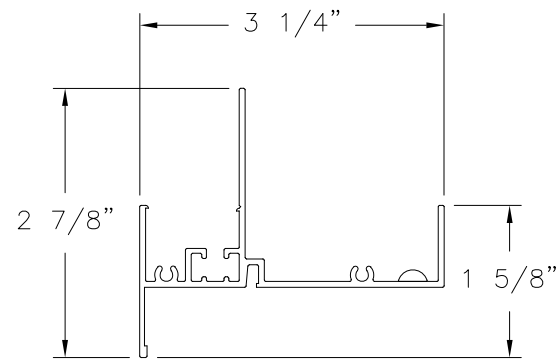
SIGNED: 02/12/2024

<p>ALL SEASONS COMMERCIAL 1293 NORTH HARVEY MITCHELL PARKWAY BRYAN, TX 77803</p>		
<p>SERIES 3250 ALUMINUM SINGLE HUNG WINDOW 60" X 99" NON-IMPACT FIN INSTALLATION DETAILS</p>		
DRAWN: A.R.	DWG NO. 08-03225	REV A
SCALE NTS	DATE 03/22/18	SHEET 7 OF 8
<p>L. ROBERTO LOMAS P.E. 1432 WOODFORD RD LEWISVILLE, NC 27023 434-688-0609 rllomas@rlomaspe.com</p>		

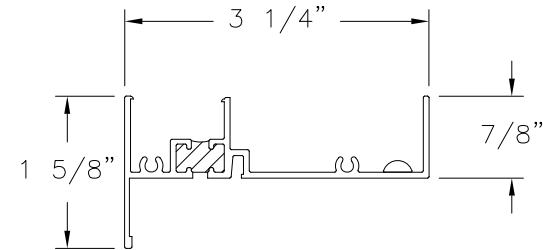


Luis R. Lomas P.E.
FL No.: 62514

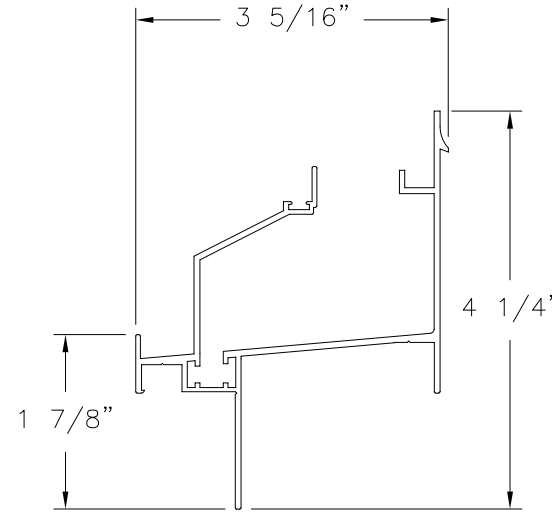
REVISIONS			
REV	DESCRIPTION	DATE	APPROVED
A	REVISED PER NEW CODE	02/05/2024	R.L.



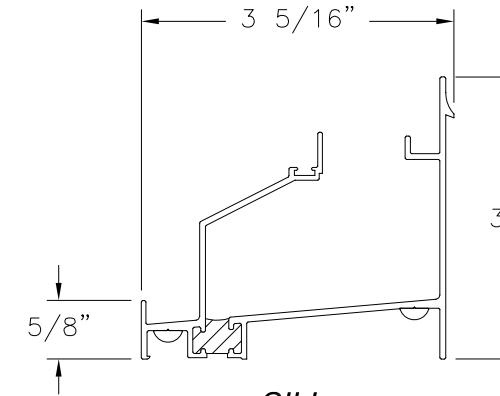
**HEAD
FIN INSTALLATION**
ALUMINUM 6063-T5 (12964)



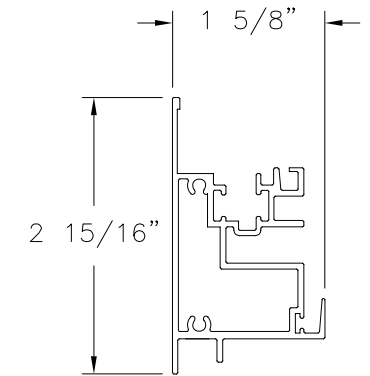
**HEAD
FRAME INSTALLATION**
ALUMINUM 6063-T5 (12964)



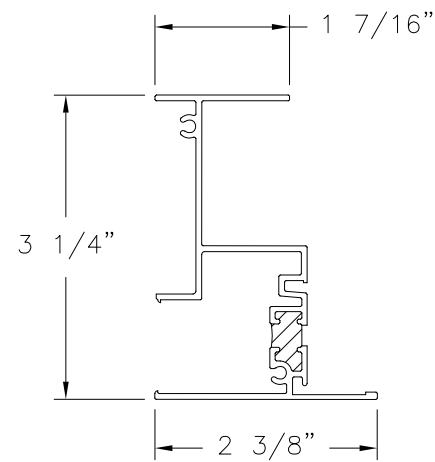
**SILL
FIN INSTALLATION**
ALUMINUM 6063-T5 (12966)



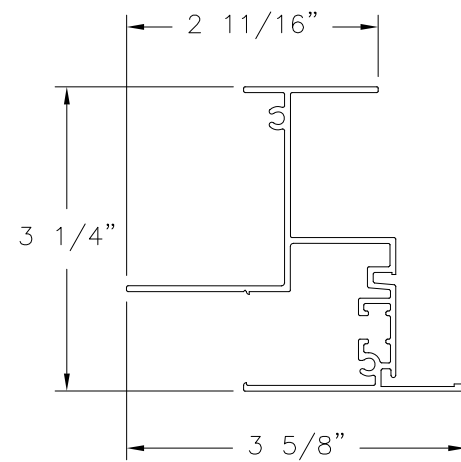
**SILL
FRAME INSTALLATION**
ALUMINUM 6063-T5 (12966)



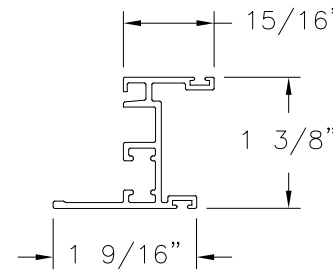
MEETING RAIL
ALUMINUM 6063-T5 (12957)



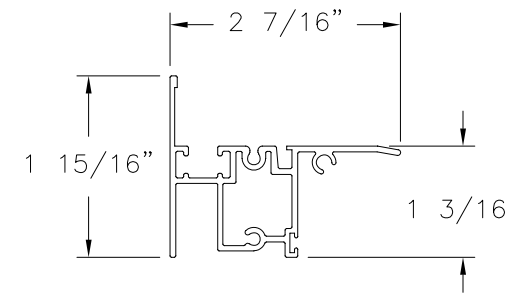
**JAMB
FRAME INSTALLATION**
ALUMINUM 6063-T5 (12965)



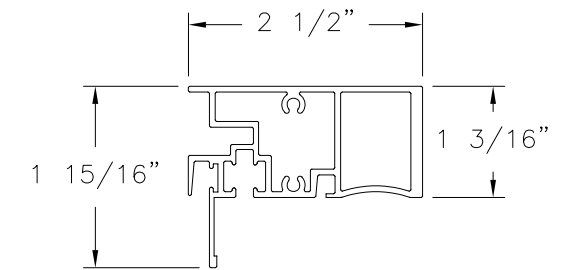
**JAMB
FIN INSTALLATION**
ALUMINUM 6063-T5 (12965)



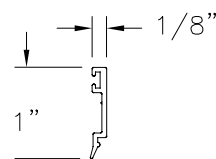
SASH JAMB
ALUMINUM 6063-T5 (12969)



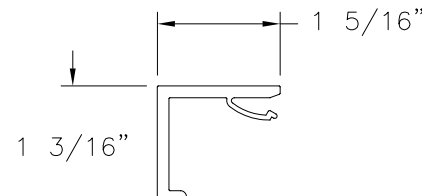
SASH SILL
ALUMINUM 6063-T5 (12970)



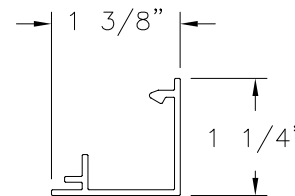
SASH HEAD
ALUMINUM 6063-T5 (12953)



GLAZING BEAD
ALUMINUM 6063-T5 (12972)



INSTALL CLIP
ALUMINUM 6063-T5 (970)



INSTALL CLIP COVER
ALUMINUM 6063-T5 (969)

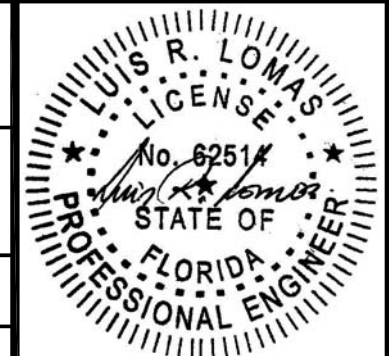
SIGNED: 02/12/2024

ALL SEASONS COMMERCIAL
1293 NORTH HARVEY MITCHELL PARKWAY
BRYAN, TX 77803

SERIES 3250 ALUMINUM SINGLE HUNG WINDOW
60" X 99" NON-IMPACT
COMPONENTS

DRAWN: A.R.	DWG NO. 08-03225	REV A
SCALE NTS	DATE 03/22/18	SHEET 8 OF 8

L. ROBERTO LOMAS P.E.
1432 WOODFORD RD LEWISVILLE, NC 27023
434-688-0609 rllomas@lrlomaspe.com



Luis R. Lomas P.E.
FL No.: 62514