

Evaluation Report BHBCON June 26, 2024

Product Description: Burmon Hurricane Bracket – BHBCON

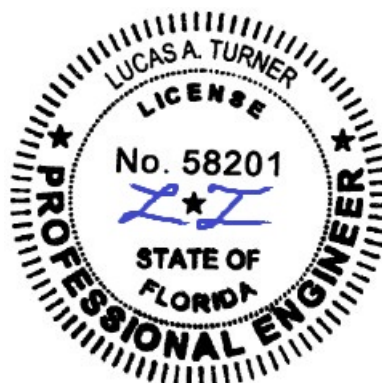
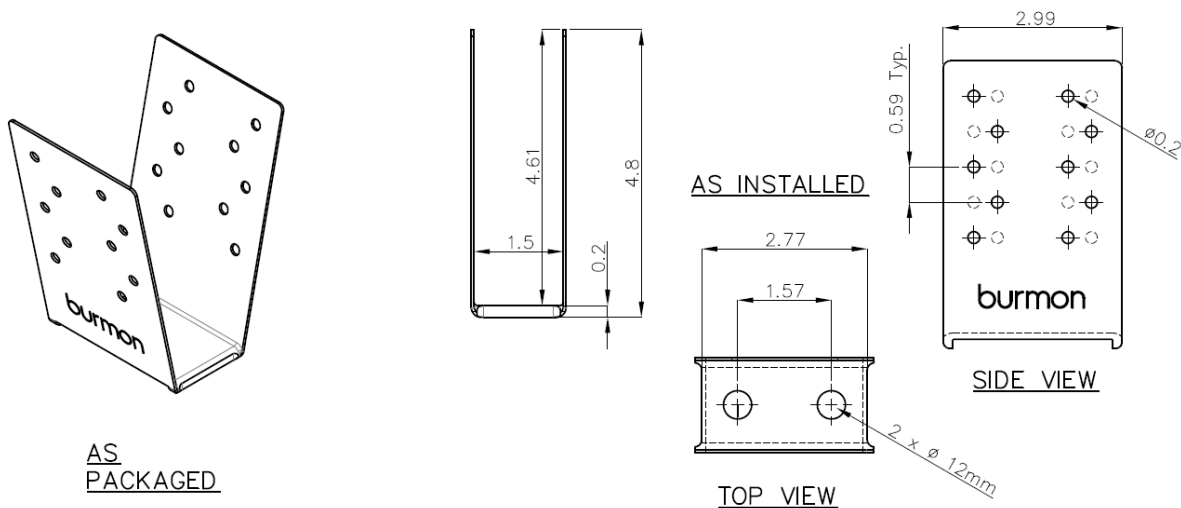
Manufacturer: Burmon Building Products
171 Kamala Crescent, Unit 12, Casuarina, NSW, 2487, Australia

Statement of Compliance: This report evaluates the above-listed product per the requirements of FAC Product Approval Rule Chapter 61G20-3.005 (2) (b). This product complies with the requirements of the 8th Edition (2023) Florida Building Code for use outside the High Velocity Hurricane Zone. The product testing standards performed are outlined below.

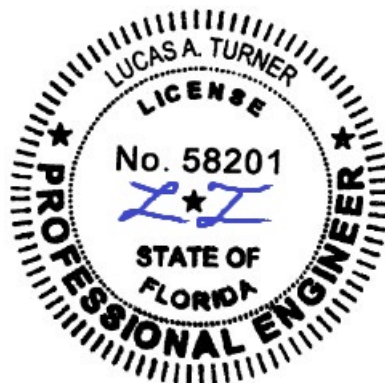
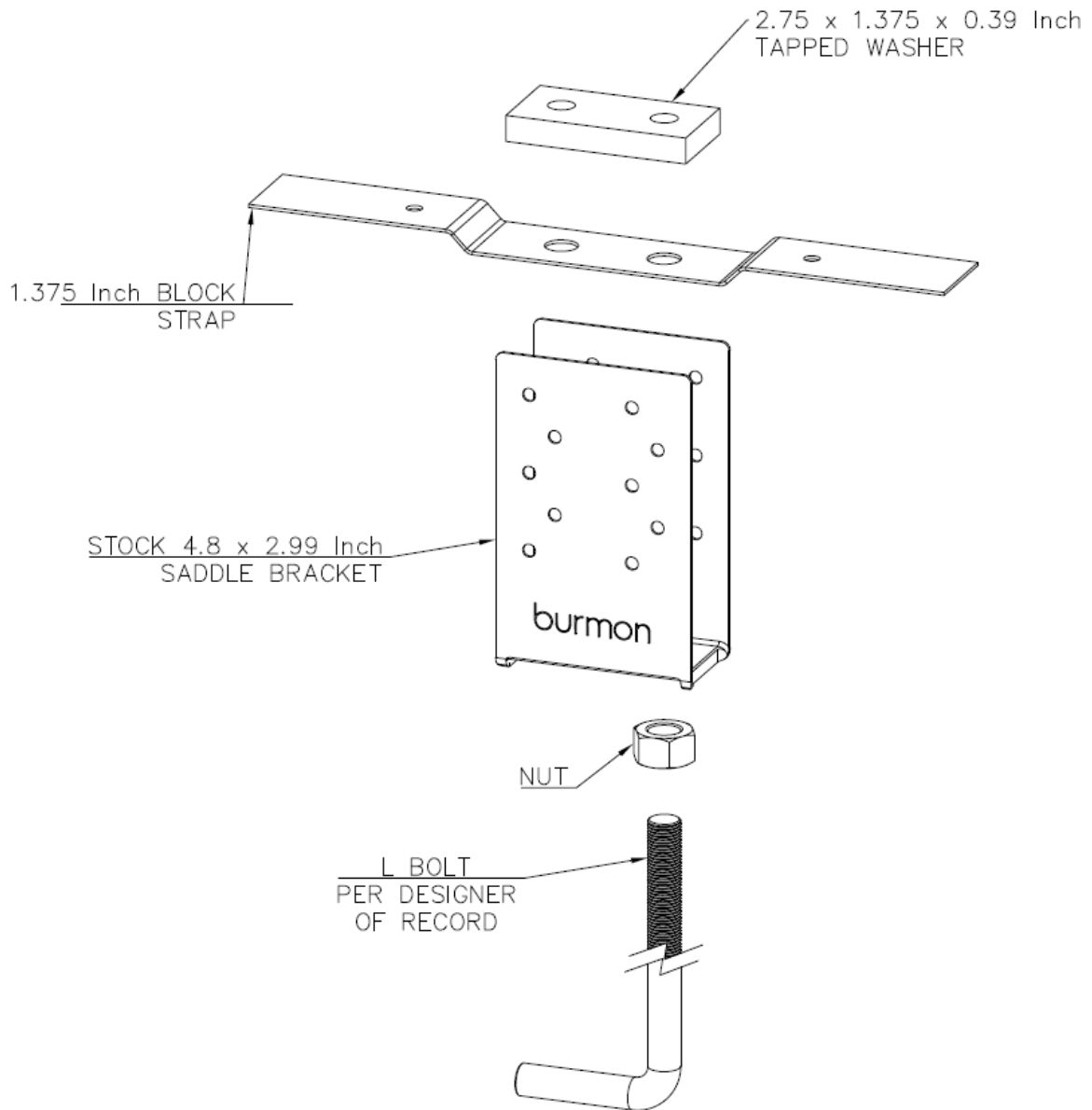
Technical Documentation:

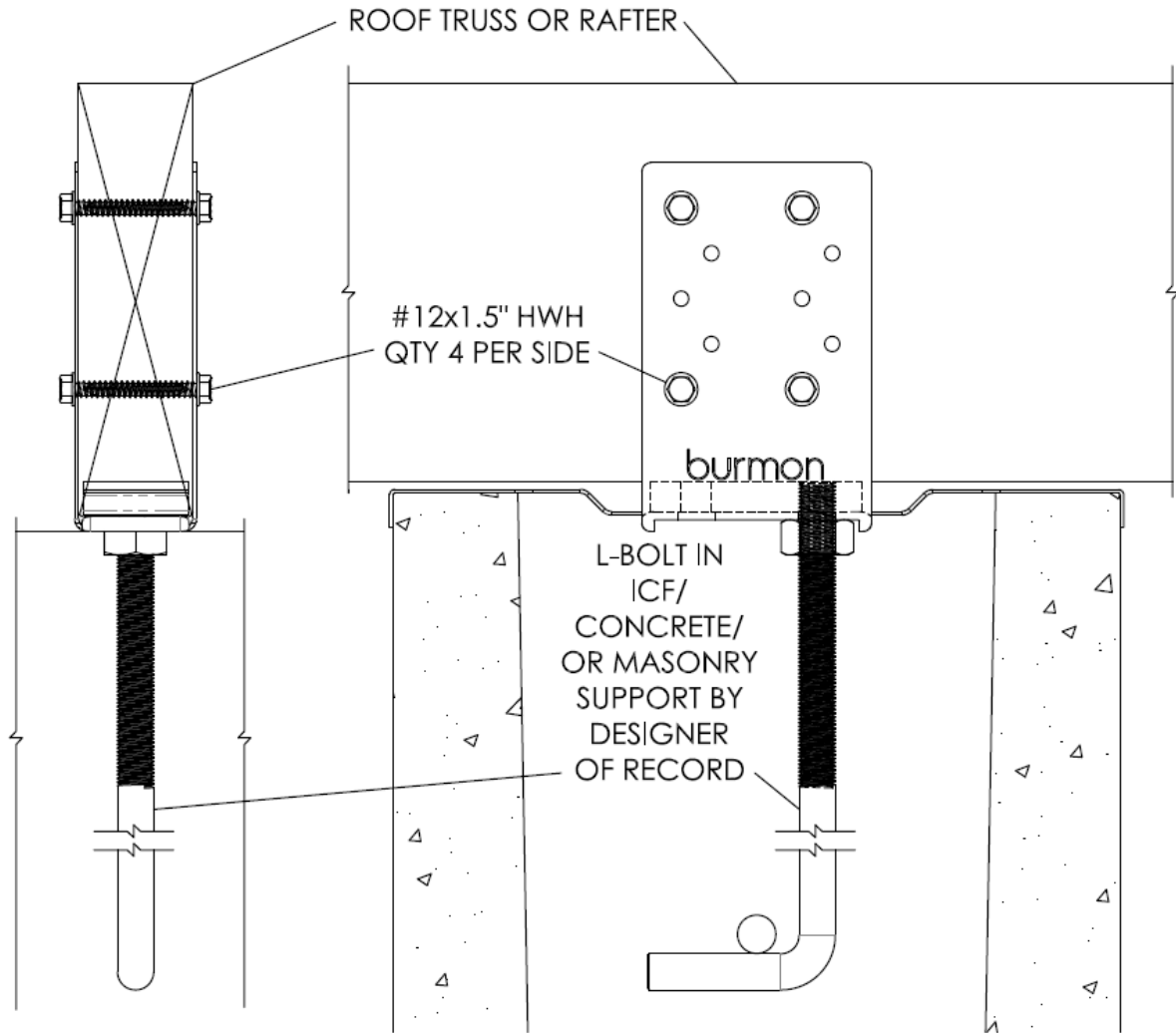
- 1) This report, prepared by Lucas A. Turner, P.E., at 2428 Old Natchez Trc. Trl., Camden, TN
- 2) Test Report H3848.02-119-16-r1, from Intertek York, PA, with testing performed:
ASTM D 1761-06, *Standard Test Methods for Mechanical Fasteners in Wood*, Sect. 21-30
- 3) Manufacturer's full technical data, online at: <https://burmon.com/>

Product Details:



Assembly Detail:





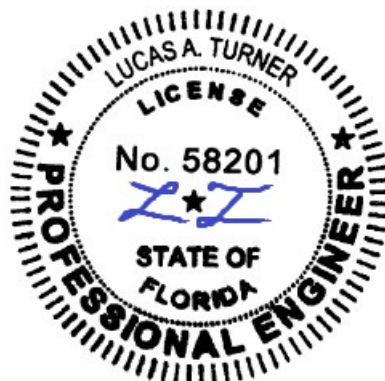
Material Types: Roof truss/rafter is Spruce/Pine/Fir wood (G=0.42 min.). ICF, Concrete, and/or Masonry construction and reinforcement is by others and beyond the scope of this evaluation.

Installation:

ASTM B-117 galvanized steel fasteners required.

Bracket to Truss/Rafter: #12 x 1-1/2" hex washer head tri-seal, tested with qty four screws per each side of bracket, eight screws total. Other screw quantities may be evaluated by others per project requirements, beyond the scope of this evaluation.

Bracket to ICF/Concrete/Masonry Support: 1/2" min. L-bolt embedment and engagement with support is by others and beyond the scope of this approval.



Performance: Wind Uplift Resistance value below is Ultimate Test Uplift Loads, as-tested with no safety factor applied, in accordance with testing listed in Technical Documentation above, and installed as indicated above.

Bracket Assembly to ICF/Concrete/Masonry: 6,211 lbs Wind Uplift Resistance

Limitations of Use:

- Truss Bracket is 18-gauge min. Galvanized (G90) steel (330Mpa min.) construction
- Design of truss/rafter and support system is outside the scope of this evaluation.
- This product may not be used in the High Velocity Hurricane Zone
- Fire classification is not within the scope of this Evaluation.

Certification of Independence: I do not have, nor do I intend to acquire, nor will I acquire, a financial interest in Burmon Building Products, or in any company manufacturing or distributing products for which this report is being issued. I do not have, nor do I intend to acquire, nor will I acquire, a financial interest in any other entity involved in the testing or approval process of this product.

