

REVISIONS			
REV	DESCRIPTION	DATE	APPROVED
A	REVISED PER NEW REQUIREMENTS	12/13/23	R.L.

NOTES:


1. THE PRODUCT SHOWN HEREIN IS DESIGNED AND MANUFACTURED TO COMPLY WITH REQUIREMENTS OF THE FLORIDA BUILDING CODE AND HVHZ.
2. WOOD FRAMING, METAL STRUCTURE AND MASONRY OPENING TO BE DESIGNED AND ANCHORED TO PROPERLY TRANSFER ALL LOADS TO STRUCTURE. FRAMING AND MASONRY OPENING IS THE RESPONSIBILITY OF THE ARCHITECT OR ENGINEER OF RECORD.
3. WHERE SHIM OR BUCK THICKNESS IS LESS THAN 1-1/2" WINDOW UNITS MUST BE ANCHORED THROUGH THE FRAME IN ACCORDANCE WITH MANUFACTURER'S PUBLISHED INSTALLATION INSTRUCTIONS. ANCHORS SHALL BE SECURELY FASTENED DIRECTLY INTO MASONRY, CONCRETE OR OTHER STRUCTURAL SUBSTRATE MATERIAL.
4. WHERE WOOD BUCK THICKNESS IS 1-1/2" OR GREATER, BUCK SHALL BE SECURELY FASTENED TO MASONRY, CONCRETE OR OTHER STRUCTURAL SUBSTRATE. WINDOW UNITS MAY BE ANCHORED THROUGH FRAME TO SECURED WOOD BUCK IN ACCORDANCE WITH MANUFACTURER'S PUBLISHED INSTALLATION INSTRUCTIONS.
5. WHERE 1X BUCK IS NOT USED DISSIMILAR MATERIALS MUST BE SEPARATED WITH APPROVED COATING OR MEMBRANE. SELECTION OF COATING OR MEMBRANE IS THE RESPONSIBILITY OF THE ARCHITECT OR ENGINEER OF RECORD.
6. BUCKS SHALL EXTEND BEYOND WINDOW INTERIOR FACE SO THAT FULL FRAME SUPPORT IS PROVIDED.
7. SHIM AS REQUIRED AT EACH ANCHOR LOCATION WITH LOAD BEARING SHIM. SHIM WHERE SPACE OF 1/16" OR GREATER OCCURS. MAXIMUM ALLOWABLE SHIM STACK TO BE 1/4".
8. SHIMS SHALL BE LOCATED, APPLIED AND MADE FROM MATERIALS AND THICKNESS CAPABLE OF SUSTAINING APPLICABLE LOADS.
9. WIND LOAD DURATION FACTOR Cd=1.6 WAS USED FOR WOOD ANCHOR CALCULATIONS.
10. FRAME MATERIAL: EXTRUDED ALUMINUM 6063-T6.
11. UNITS MUST BE GLAZED PER ASTM E1300, SEE SHEET 17 FOR GLASS DETAIL.
12. APPROVED IMPACT PROTECTIVE SYSTEM IS NOT REQUIRED FOR THIS PRODUCT IN WIND BORNE DEBRIS REGIONS.

13. FOR ANCHORING THROUGH FRAME INTO WOOD FRAMING OR 2X BUCK USE #14 WOOD SCREWS WITH SUFFICIENT LENGTH TO ACHIEVE A 1 3/8" MINIMUM EMBEDMENT INTO SUBSTRATE. LOCATE ANCHORS AS SHOWN IN ELEVATIONS AND INSTALLATION DETAILS.
14. FOR ANCHORING THROUGH FRAME INTO MASONRY/CONCRETE USE 1/4" TAPCON WITH SUFFICIENT LENGTH TO ACHIEVE A 1 1/4" MINIMUM EMBEDMENT INTO SUBSTRATE WITH 2" MINIMUM EDGE DISTANCE. LOCATE ANCHORS AS SHOWN IN ELEVATIONS AND INSTALLATION DETAILS.
15. FOR ANCHORING THROUGH FRAME INTO METAL STRUCTURE USE #14 SMS OR SELF DRILLING SCREWS WITH SUFFICIENT LENGTH TO ACHIEVE 3 THREADS MINIMUM BEYOND STRUCTURE INTERIOR WALL. LOCATE ANCHORS AS SHOWN IN ELEVATIONS AND INSTALLATION DETAILS.
16. ALL FASTENERS TO BE CORROSION RESISTANT.
17. INSTALLATION ANCHORS SHALL BE INSTALLED IN ACCORDANCE WITH ANCHOR MANUFACTURER'S INSTALLATION INSTRUCTIONS AND ANCHORS SHALL NOT BE USED IN SUBSTRATES WITH STRENGTHS LESS THAN THE MINIMUM STRENGTH SPECIFIED BELOW:
  - 17.1. WOOD: MINIMUM SPECIFIC GRAVITY OF G=0.42
  - 17.2. CONCRETE: MINIMUM COMPRESSIVE STRENGTH OF 2,000 PSI.
  - 17.3. MASONRY: HOLLOW/FILLED BLOCK PER ASTM C90 WITH Fm=2,000PSI MINIMUM.
  - 17.4. METAL STRUCTURE: STEEL 18GA (.048") FY=33KSI/FU=52KSI OR ALUMINUM 6063-T5 FU=30KSI .048" THICK MINIMUM
18. APPROVED CONFIGURATIONS: OX, XO, OXO, XXO, OXX, XXX, XOO, OOX, OXXO, XXXO, OXXX, XXXX, PX, XP, OXP, PXO, PXXXX, XXXXP, PXXXXP, PXXO, OXXP, PXOO, OOXp, PXXXX, OXXXP, PXXX, XXXP, PXXP.

SIGNED: 01/03/2024

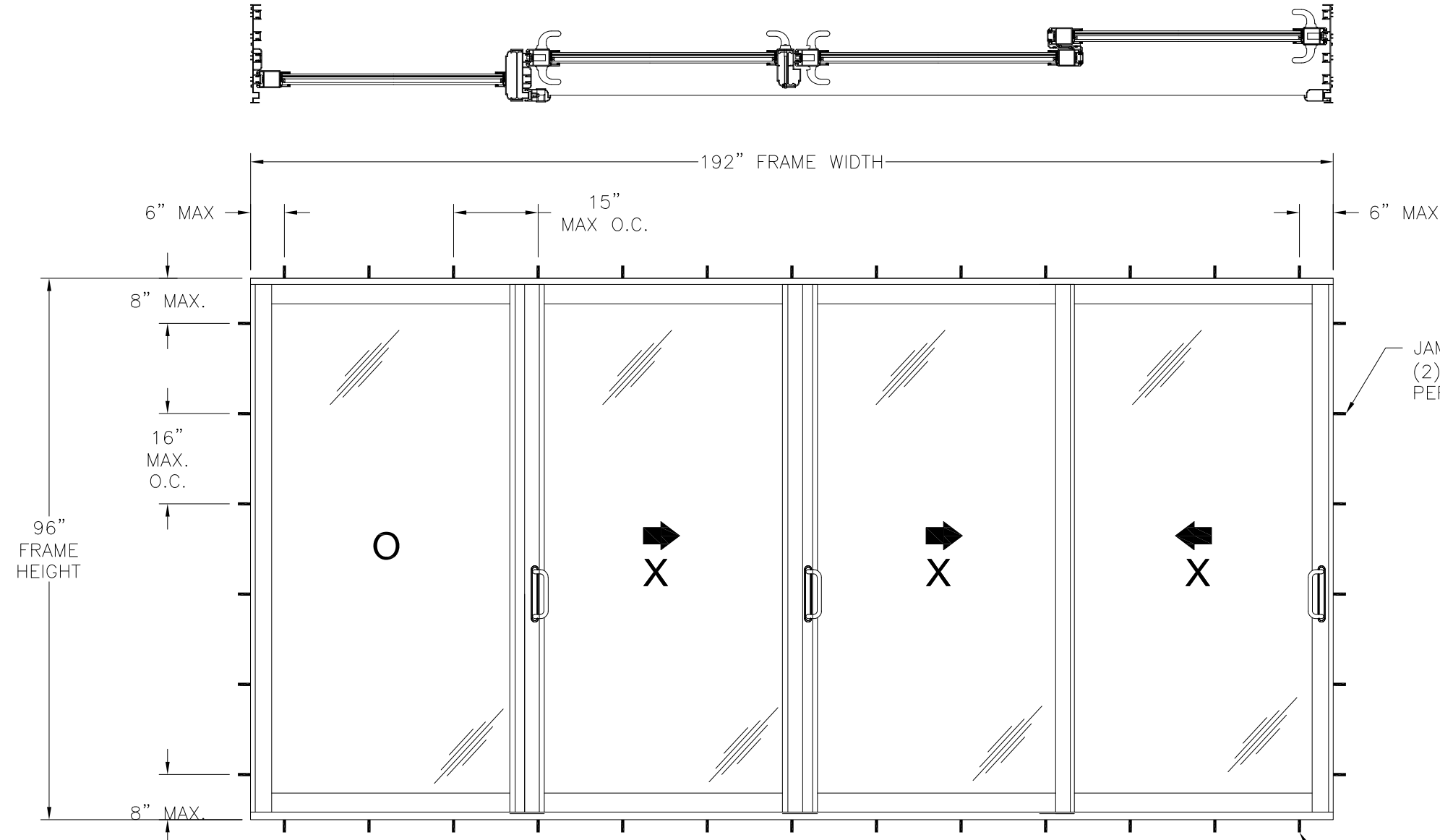
TABLE OF CONTENTS	
SHEET NO.	DESCRIPTION
1	NOTES
2 - 4	ELEVATION
5 - 17	INSTALLATION DETAILS
18 - 19	COMPONENTS

<b>EASTERN ARCHITECTURAL SYSTEMS</b> 16341 DOMESTIC AVENUE FT. MYERS, FL 33912		
SERIES 7000 ALUMINUM SLIDING GLASS DOOR LARGE MISSILE IMPACT NOTES		
DRAWN: A.R.	DWG NO. 08-03375	REV A
SCALE NTS	DATE 12/13/18	SHEET 1 OF 19
L. ROBERTO LOMAS P.E. 208 7th Ave, INDIALANTIC, FL 32903 434-688-0609 rllomas@rlomaspe.com		



Luis R. Lomas P.E.  
FL No.: 62514

REVISIONS			
REV	DESCRIPTION	DATE	APPROVED
A	REVISED PER NEW REQUIREMENTS	12/13/23	R.L.



- NOTES:**
- PANEL SIZE: 49 1/4" x 94 1/4"
  - D.L.O.: 43" X 86 3/4"

**SERIES 7000 ALUMINUM SLIDING GLASS DOOR**  
EXTERIOR VIEW

DESIGN PRESSURE RATING	IMPACT RATING
±60.0PSF	LARGE AND SMALL MISSILE IMPACT

MISSILE LEVEL D, WIND ZONE 4 AND HVHZ

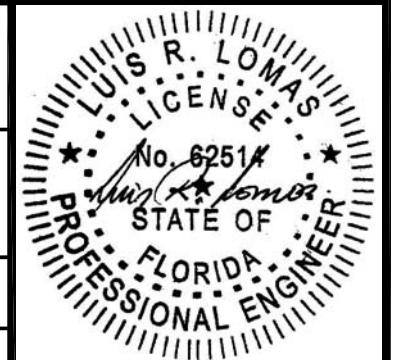
SIGNED: 01/03/2024

**EASTERN ARCHITECTURAL SYSTEMS**  
16341 DOMESTIC AVENUE  
FT. MYERS, FL 33912

SERIES 7000 ALUMINUM SLIDING GLASS DOOR  
LARGE MISSILE IMPACT  
ELEVATION

DRAWN: A.R.	DWG NO. 08-03375	REV A
SCALE NTS	DATE 12/13/18	SHEET 2 OF 19

L. ROBERTO LOMAS P.E.  
208 7th Ave, INDIALANTIC, FL 32903  
434-688-0609 rllomas@rlomaspe.com

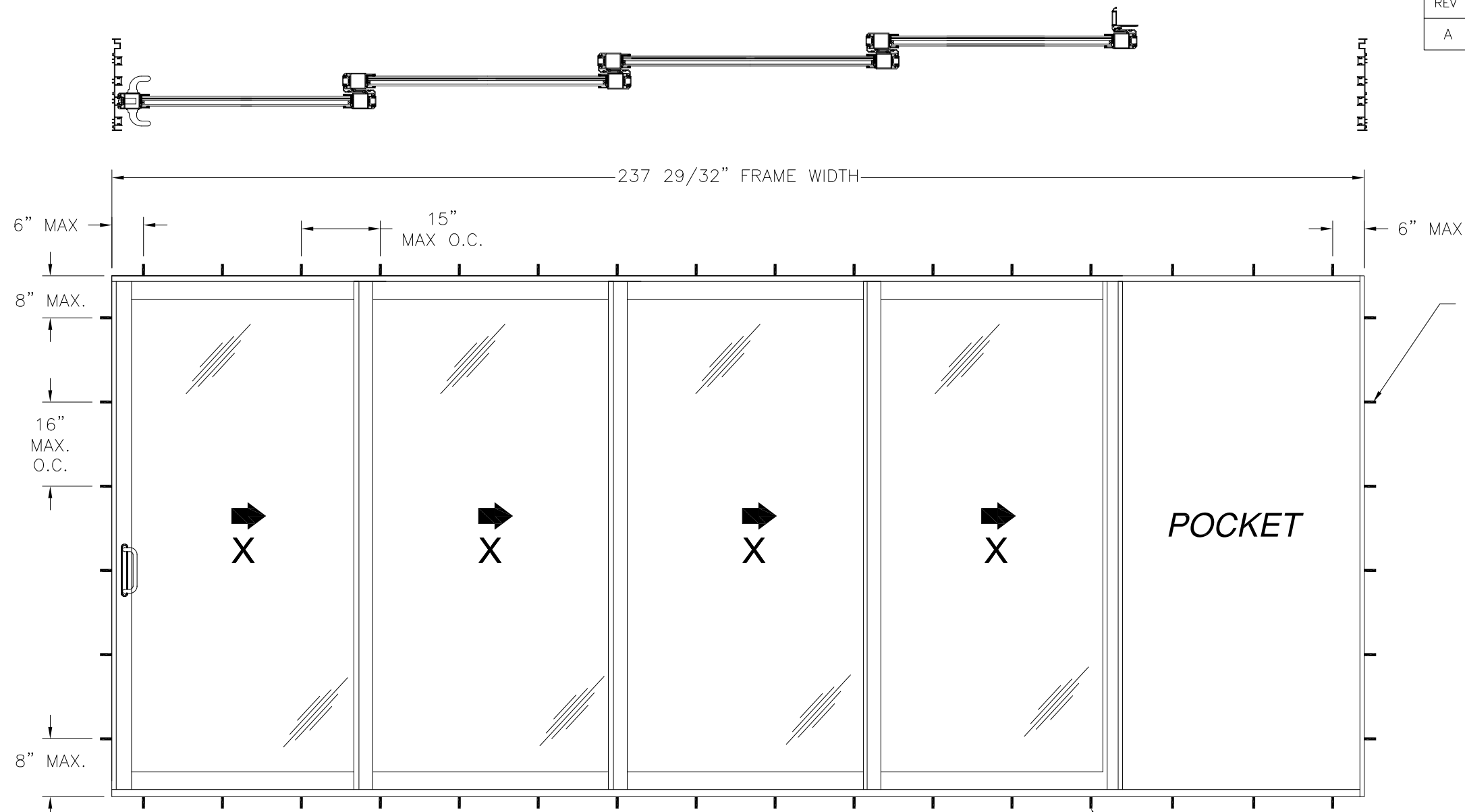


Luis R. Lomas P.E.  
FL No.: 62514

**HARDWARE SCHEDULE**

A.	LOCK HANDLE WITH KEEPER BY AMESBURY, INTERIOR AND EXTERIOR OF OPERABLE PANEL
B.	ROLLER ASSEMBLY (TA-88-PRN-166-ST-SS) BY AMESBURY, AT BOTTOM RAIL
C.	ALUMINUM REINFORCEMENT BAR (57282) FOR OXXO BUTT STILE AT CENTER INTERLOCK
D.	ALUMINUM REINFORCEMENT BAR (57316) FOR OXXO BUTT STILE AT INTERLOCK LEFT

REVISIONS			
REV	DESCRIPTION	DATE	APPROVED
A	REVISED PER NEW REQUIREMENTS	12/13/23	R.L.



JAMBS  
(2) ANCHORS  
PER LOCATION

- NOTES:
- PANEL SIZE: 49 1/4" x 94 1/4"
  - D.L.O.: 43" X 86 3/4"

**SERIES 7000 ALUMINUM SLIDING GLASS DOOR**  
EXTERIOR VIEW

HEAD AND SILL (2) ANCHORS  
PER LOCATION.

DESIGN PRESSURE RATING	IMPACT RATING
±60.0PSF	LARGE AND SMALL MISSILE IMPACT

MISSILE LEVEL D, WIND ZONE 4 AND HVHZ

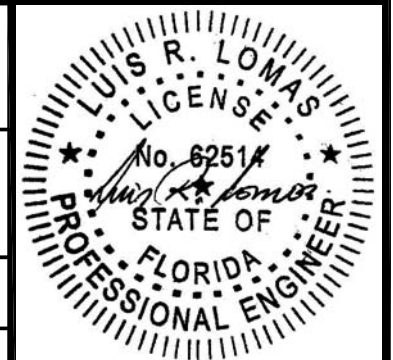
SIGNED: 01/03/2024

**EASTERN ARCHITECTURAL SYSTEMS**  
16341 DOMESTIC AVENUE  
FT. MYERS, FL 33912

SERIES 7000 ALUMINUM SLIDING GLASS DOOR  
LARGE MISSILE IMPACT  
ELEVATION WITH POCKET

DRAWN: A.R.	DWG NO. 08-03375	REV A
SCALE NTS	DATE 12/13/18	SHEET 3 OF 19

L. ROBERTO LOMAS P.E.  
208 7th Ave, INDIALANTIC, FL 32903  
434-688-0609 rllomas@rlomaspe.com

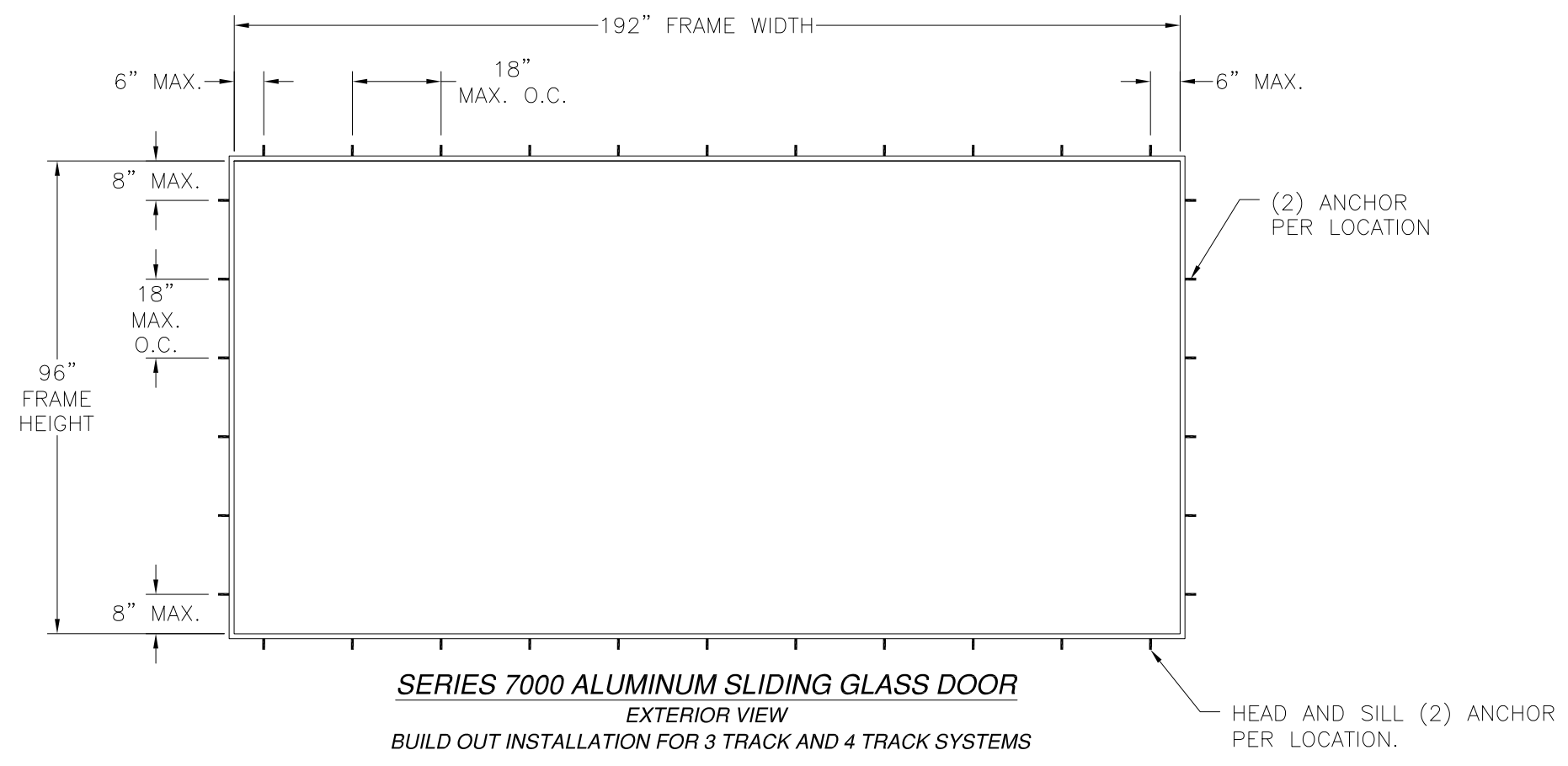
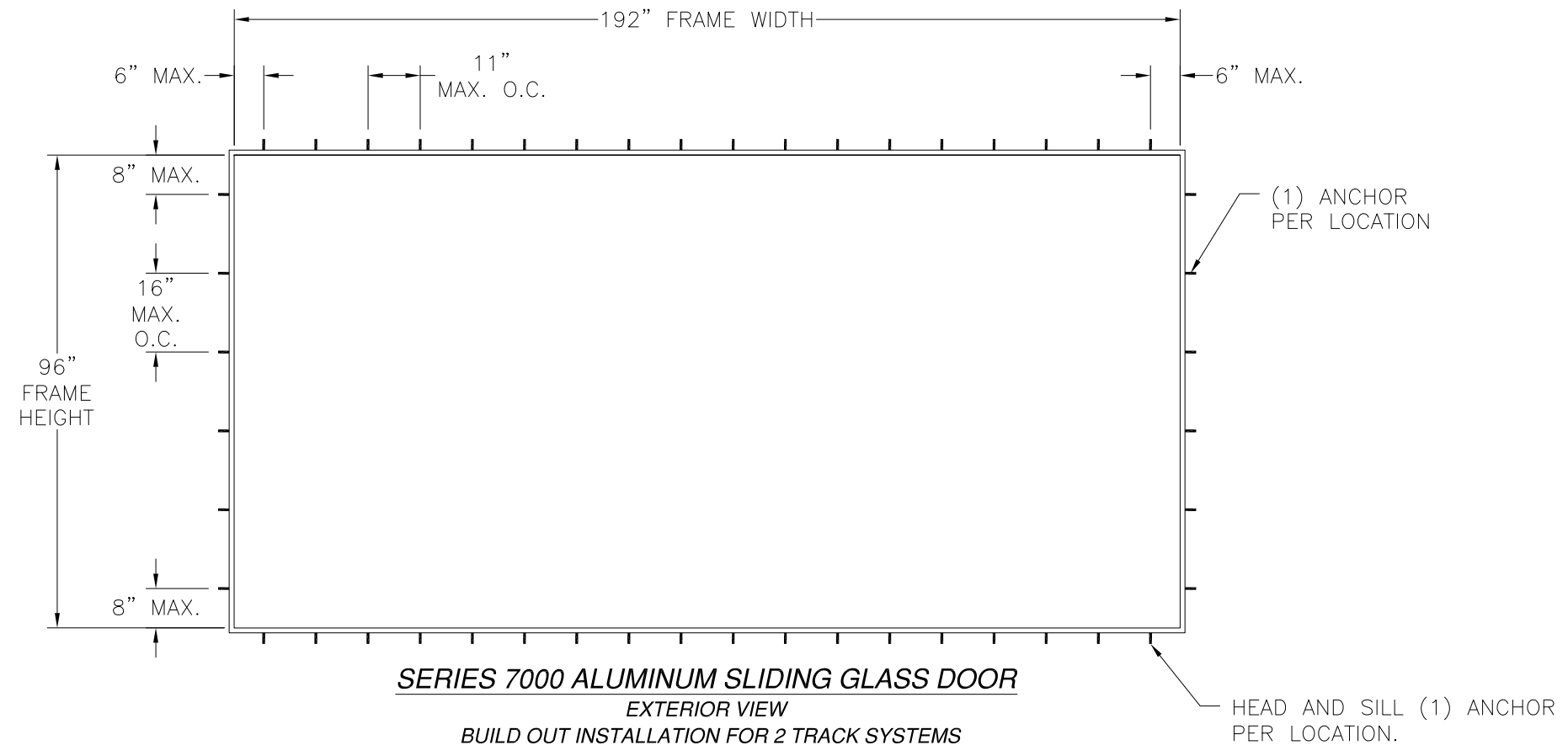


Luis R. Lomas P.E.  
FL No.: 62514

**HARDWARE SCHEDULE**

A.	LOCK HANDLE WITH KEEPER BY AMESBURY, INTERIOR AND EXTERIOR OF OPERABLE PANEL
B.	ROLLER ASSEMBLY (TA-88-PRN-166-ST-SS) BY AMESBURY, AT BOTTOM RAIL
C.	ALUMINUM REINFORCEMENT BAR (57282) FOR OXO BUTT STILE AT CENTER INTERLOCK
D.	ALUMINUM REINFORCEMENT BAR (57316) FOR OXO BUTT STILE AT INTERLOCK LEFT

REVISIONS			
REV	DESCRIPTION	DATE	APPROVED
A	REVISED PER NEW REQUIREMENTS	12/13/23	R.L.



**EASTERN ARCHITECTURAL SYSTEMS**  
 16341 DOMESTIC AVENUE  
 FT. MYERS, FL 33912

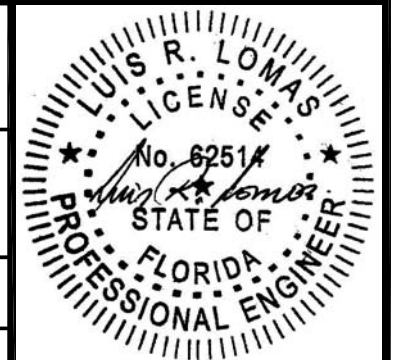
---

SERIES 7000 ALUMINUM SLIDING GLASS DOOR  
 LARGE MISSILE IMPACT  
 BUILD OUT ELEVATIONS

DRAWN: A.R.	DWG NO. 08-03375	REV A
SCALE NTS	DATE 12/13/18	SHEET 4 OF 19

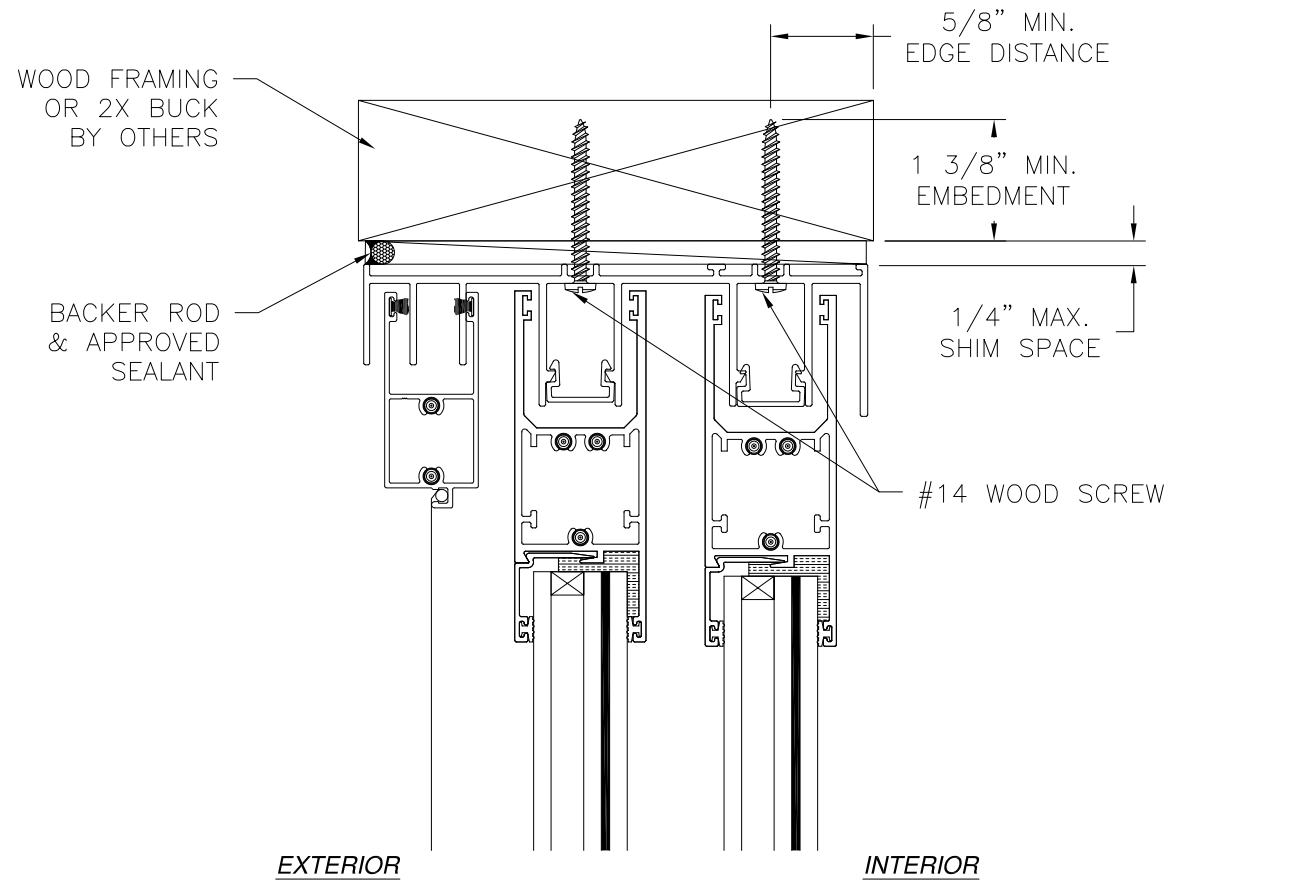
L. ROBERTO LOMAS P.E.  
 208 7th Ave, INDIALANTIC, FL 32903  
 434-688-0609 rllomas@lrlomaspe.com

SIGNED: 01/03/2024



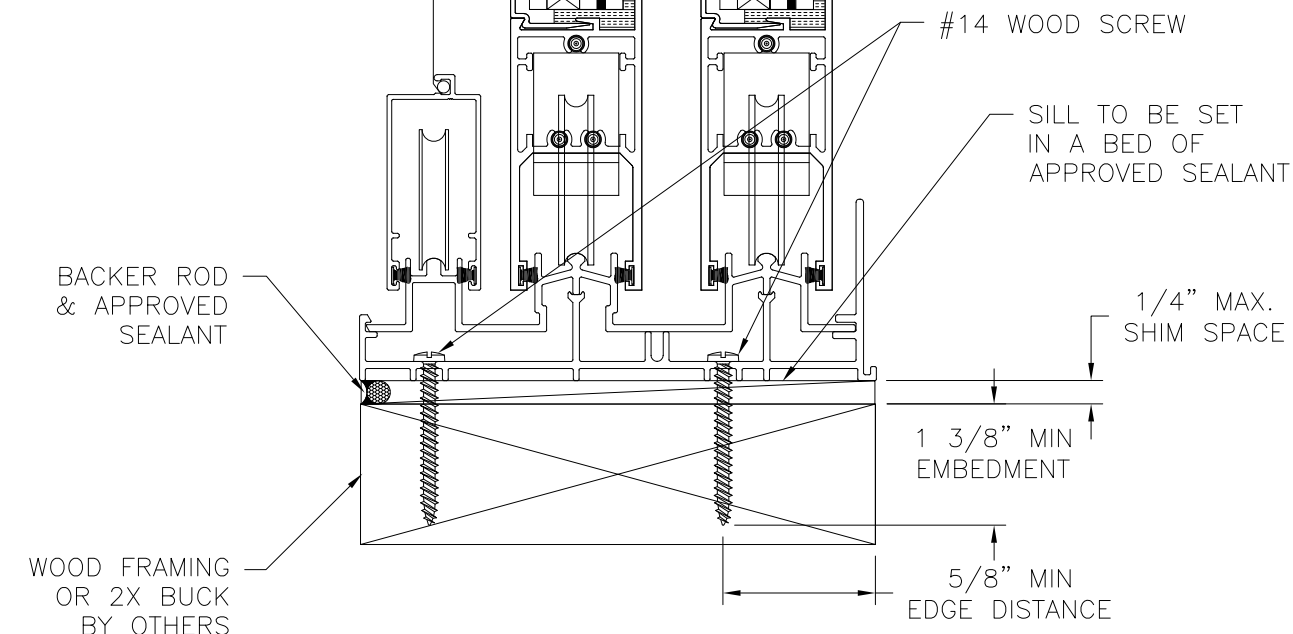
Luis R. Lomas P.E.  
 FL No.: 62514

REVISIONS			
REV	DESCRIPTION	DATE	APPROVED
A	REVISED PER NEW REQUIREMENTS	12/13/23	R.L.

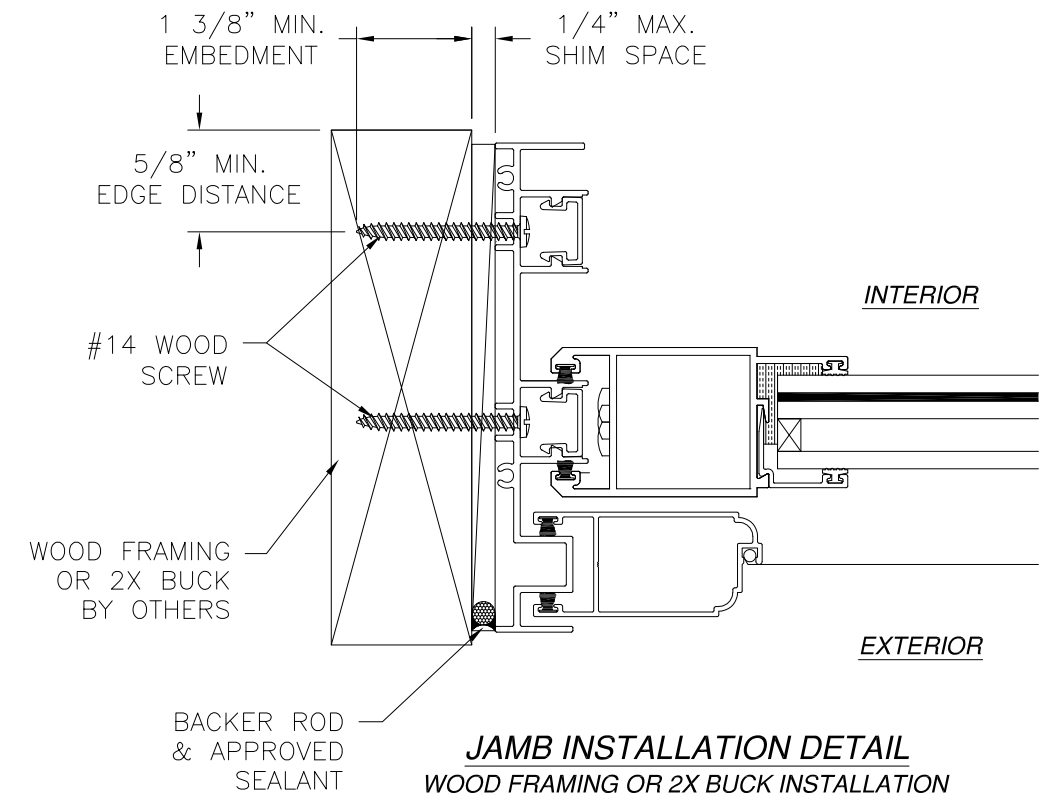


EXTERIOR

INTERIOR



**VERTICAL CROSS SECTION**  
WOOD FRAMING OR 2X BUCK INSTALLATION

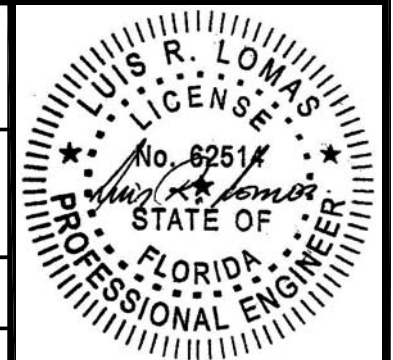


**JAMB INSTALLATION DETAIL**  
WOOD FRAMING OR 2X BUCK INSTALLATION

- NOTES:**
- INTERIOR AND EXTERIOR FINISHES, BY OTHERS, NOT SHOWN FOR CLARITY.
  - PERIMETER AND JOINT SEALANT BY OTHERS TO BE DESIGNED IN ACCORDANCE WITH ASTM E2112

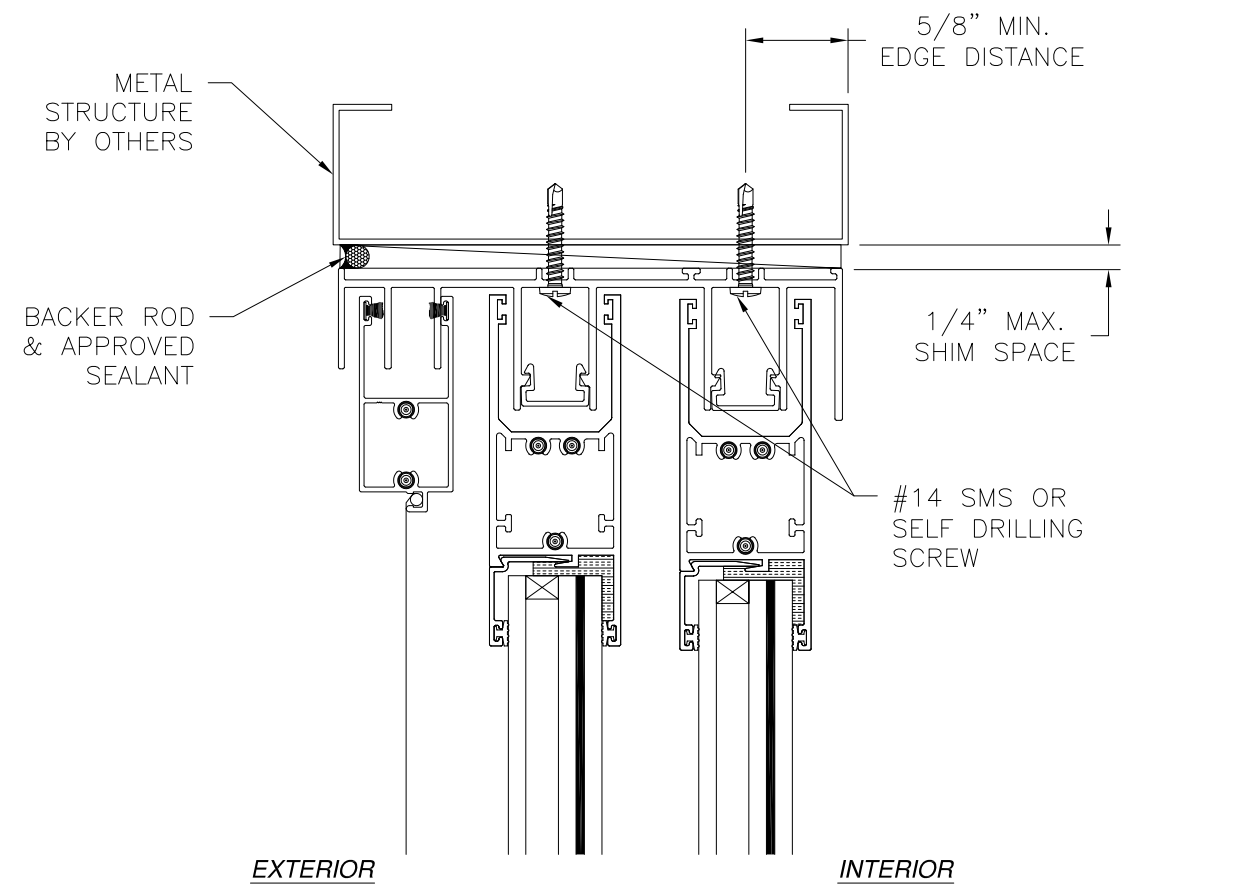
SIGNED: 01/03/2024

EASTERN ARCHITECTURAL SYSTEMS 16341 DOMESTIC AVENUE FT. MYERS, FL 33912		
SERIES 7000 ALUMINUM SLIDING GLASS DOOR LARGE MISSILE IMPACT 2 TRACK INSTALLATION DETAILS		
DRAWN: A.R.	DWG NO. 08-03375	REV A
SCALE NTS	DATE 12/13/18	SHEET 5 OF 19
L. ROBERTO LOMAS P.E. 208 7th Ave, INDIALANTIC, FL 32903 434-688-0609 rllomas@lrlomaspe.com		

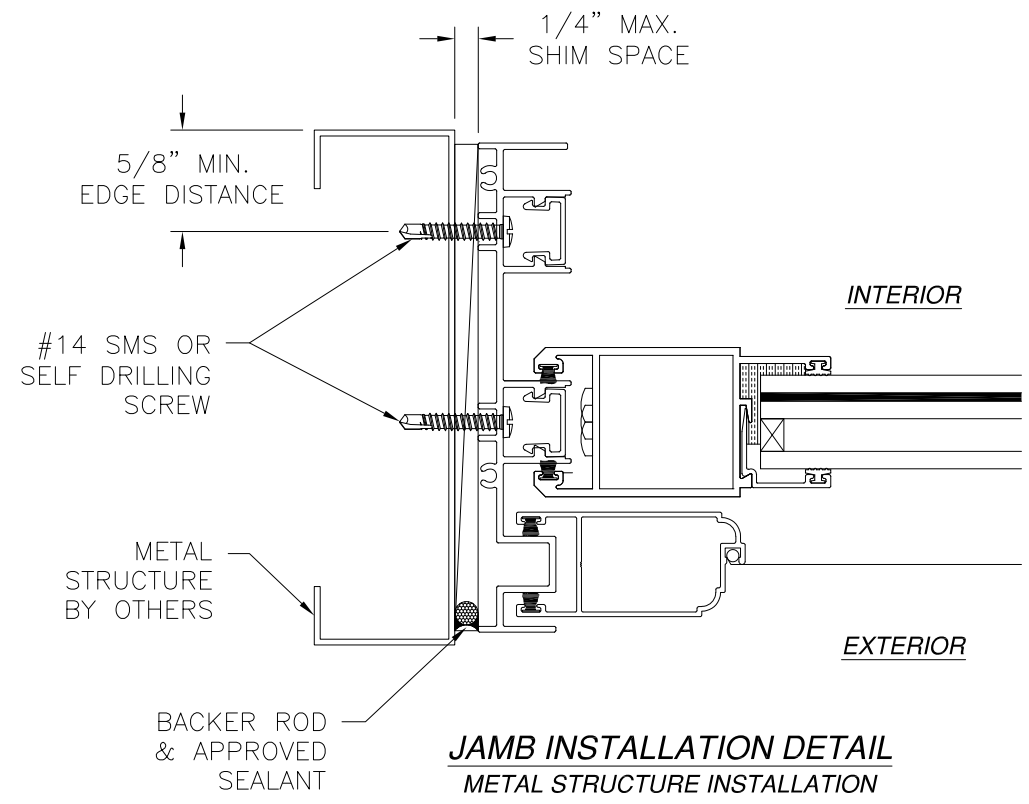


Luis R. Lomas P.E.  
FL No.: 62514

REVISIONS			
REV	DESCRIPTION	DATE	APPROVED
A	REVISED PER NEW REQUIREMENTS	12/13/23	R.L.

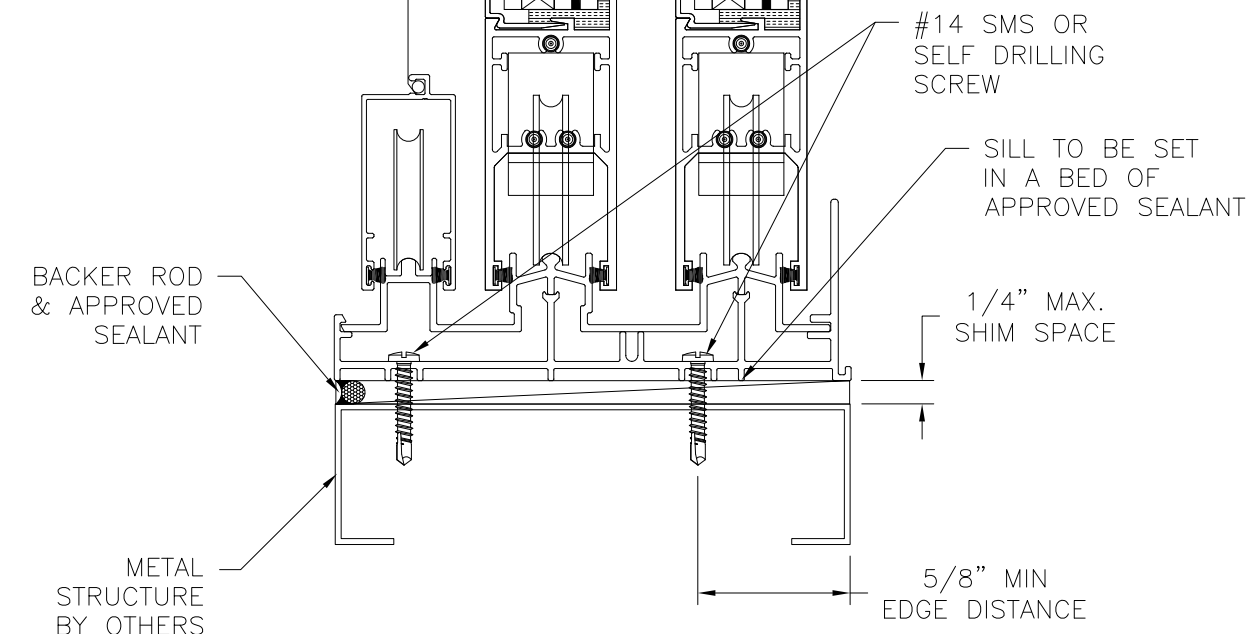


**VERTICAL CROSS SECTION**  
METAL STRUCTURE INSTALLATION



**JAMB INSTALLATION DETAIL**  
METAL STRUCTURE INSTALLATION

- NOTES:**
- INTERIOR AND EXTERIOR FINISHES, BY OTHERS, NOT SHOWN FOR CLARITY.
  - PERIMETER AND JOINT SEALANT BY OTHERS TO BE DESIGNED IN ACCORDANCE WITH ASTM E2112



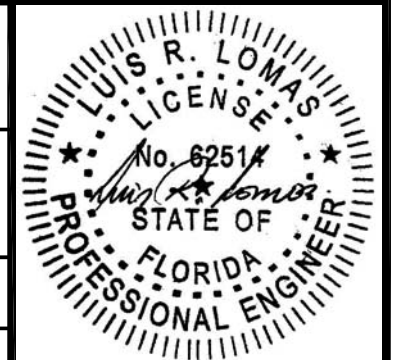
**EASTERN ARCHITECTURAL SYSTEMS**  
16341 DOMESTIC AVENUE  
FT. MYERS, FL 33912

SERIES 7000 ALUMINUM SLIDING GLASS DOOR  
LARGE MISSILE IMPACT  
2 TRACK INSTALLATION DETAILS

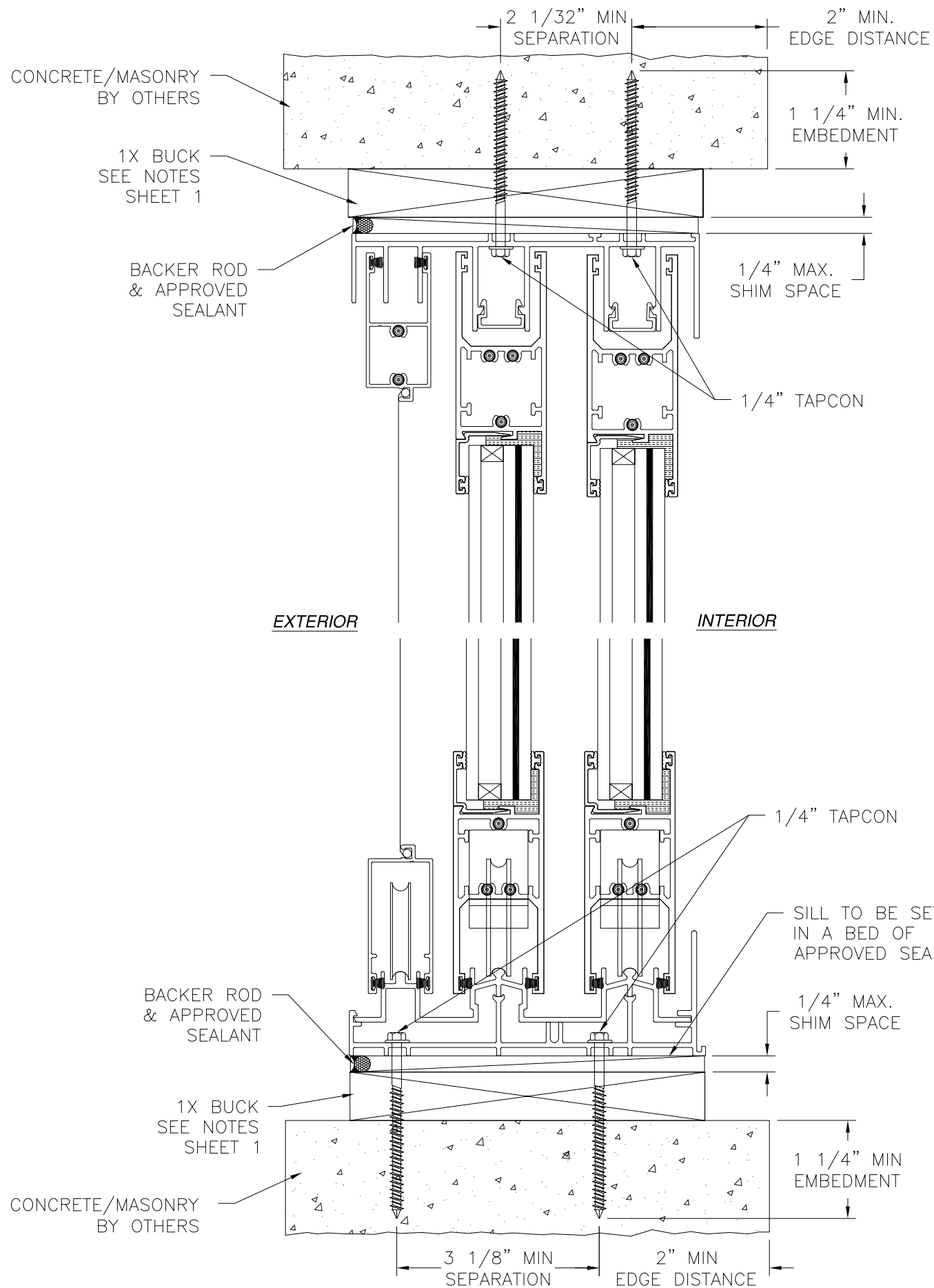
DRAWN: A.R.	DWG NO. 08-03375	REV A
SCALE NTS	DATE 12/13/18	SHEET 6 OF 19

L. ROBERTO LOMAS P.E.  
208 7th Ave, INDIALANTIC, FL 32903  
434-688-0609 rllomas@rlomaspe.com

SIGNED: 01/03/2024

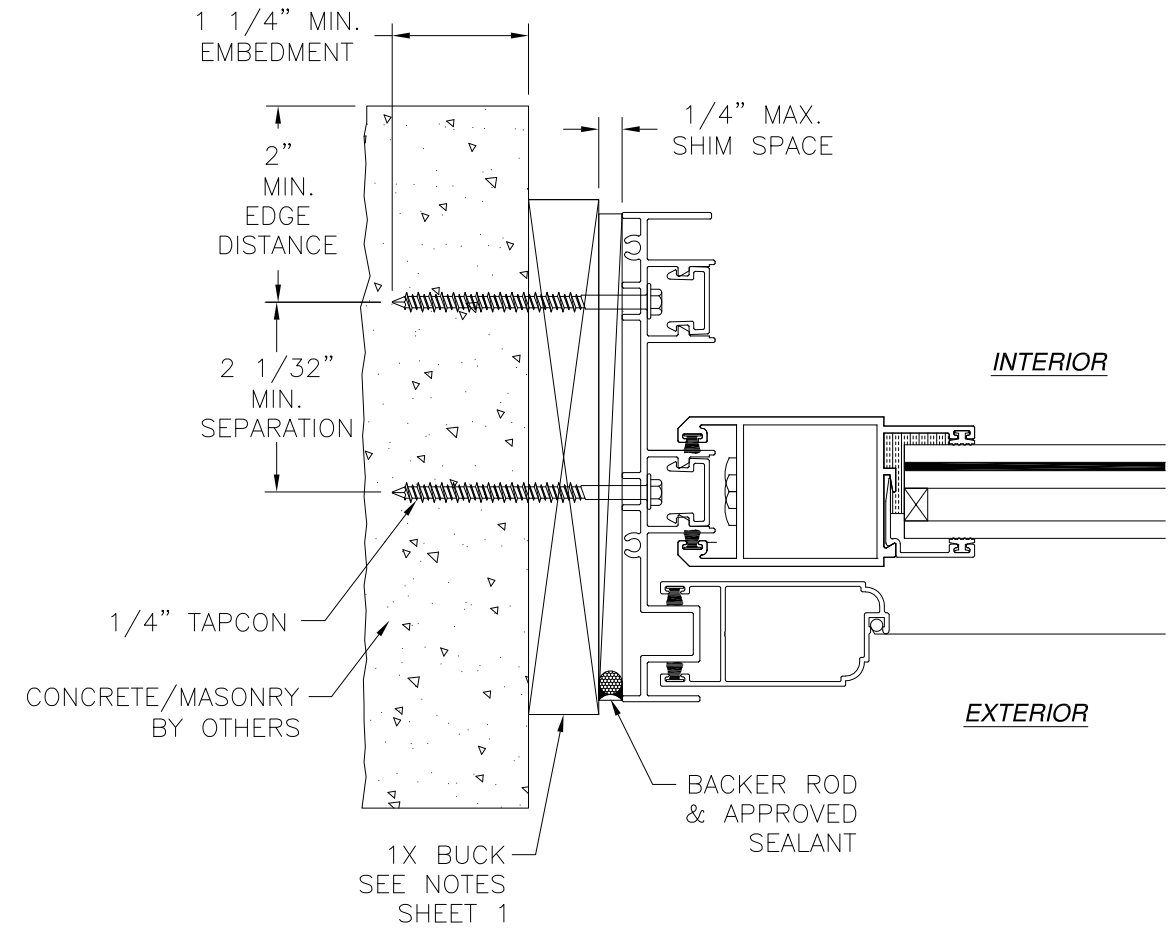


Luis R. Lomas P.E.  
FL No.: 62514



**VERTICAL CROSS SECTION  
CONCRETE/MASONRY INSTALLATION**

REVISIONS			
REV	DESCRIPTION	DATE	APPROVED
A	REVISED PER NEW REQUIREMENTS	12/13/23	R.L.



**JAMB INSTALLATION DETAIL  
CONCRETE/MASONRY INSTALLATION**

**NOTES:**

1. INTERIOR AND EXTERIOR FINISHES, BY OTHERS, NOT SHOWN FOR CLARITY.
2. PERIMETER AND JOINT SEALANT BY OTHERS TO BE DESIGNED IN ACCORDANCE WITH ASTM E2112

SIGNED: 01/03/2024

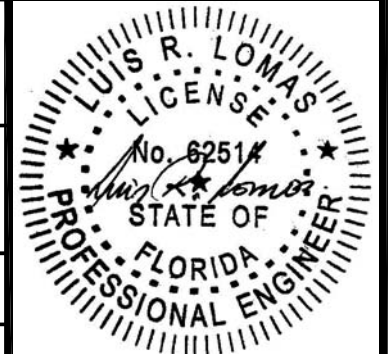
**EASTERN ARCHITECTURAL SYSTEMS**

16341 DOMESTIC AVENUE  
FT. MYERS, FL 33912

SERIES 7000 ALUMINUM SLIDING GLASS DOOR  
LARGE MISSILE IMPACT  
2 TRACK INSTALLATION DETAILS

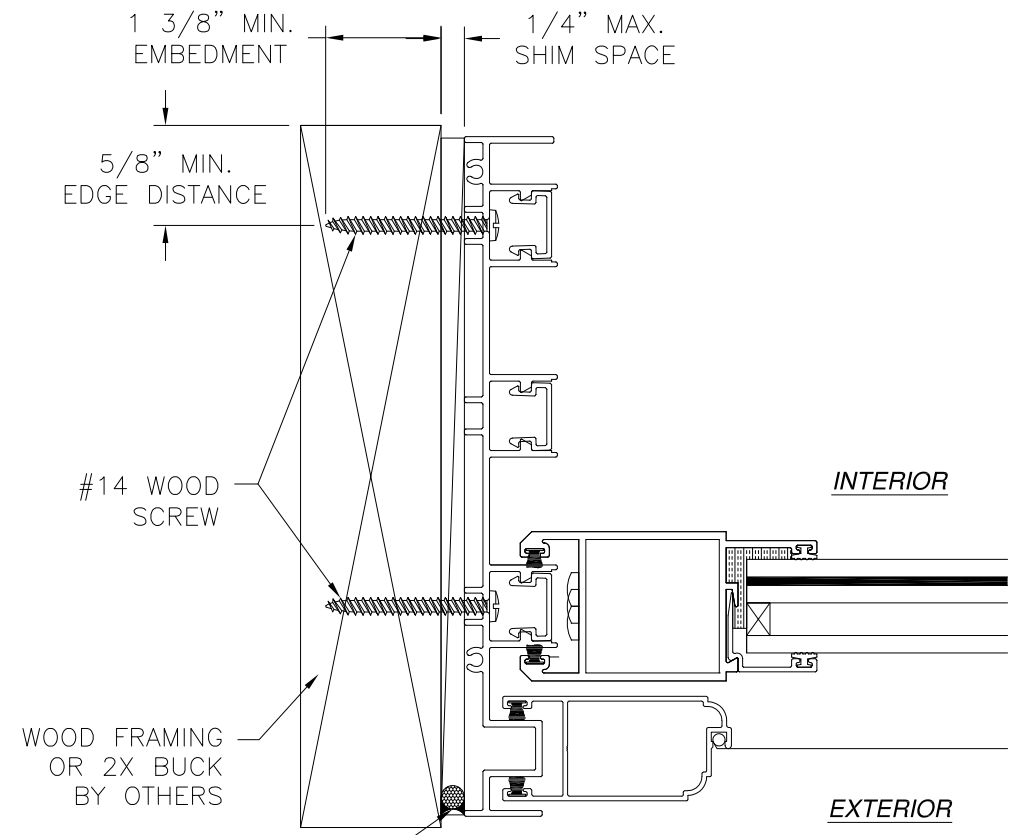
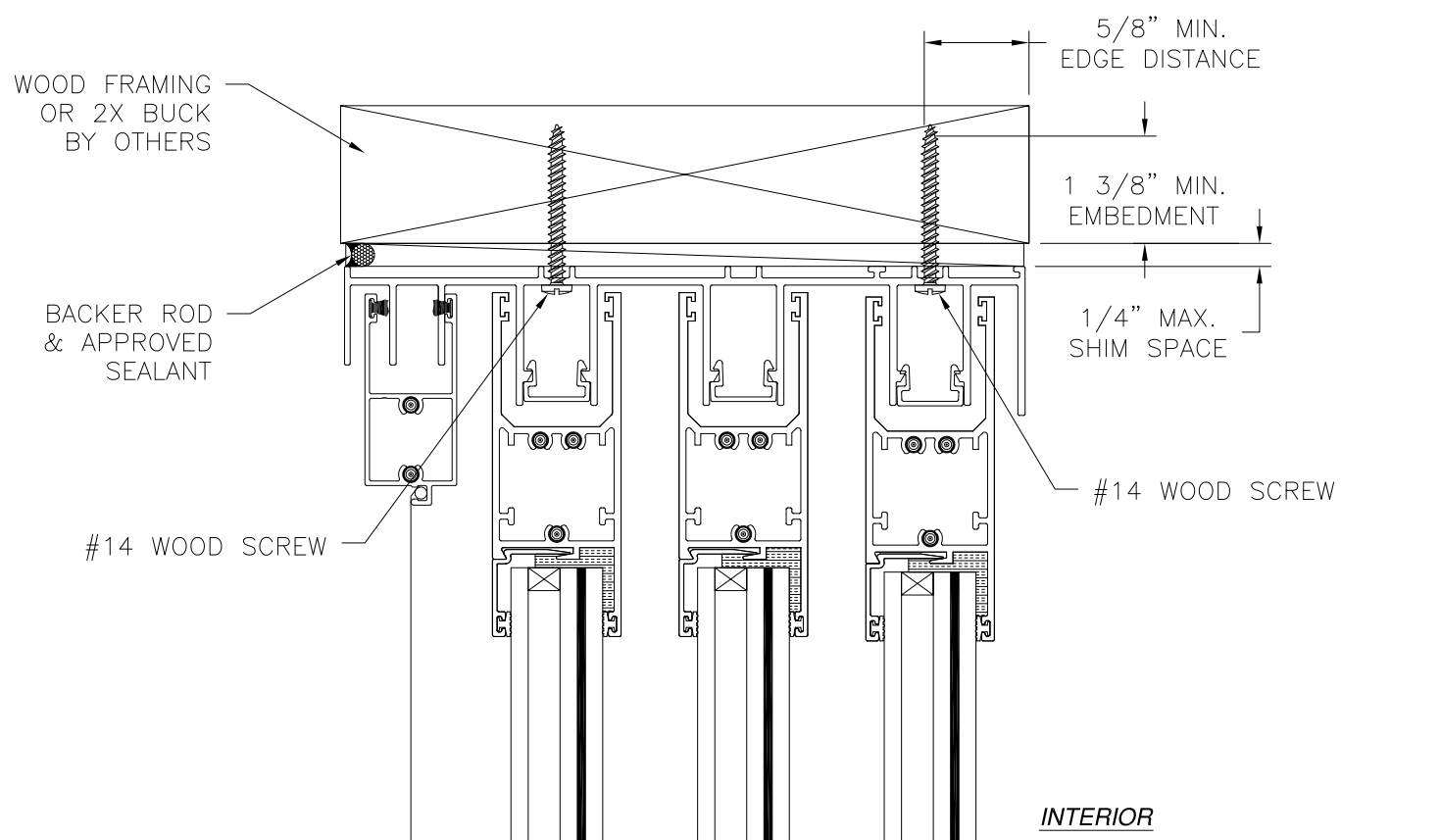
DRAWN: A.R.	DWG NO. 08-03375	REV A
SCALE NTS	DATE 12/13/18	SHEET 7 OF 19

L. ROBERTO LOMAS P.E.  
208 7th Ave, INDIALANTIC, FL 32903  
434-688-0609 rllomas@rlomaspe.com

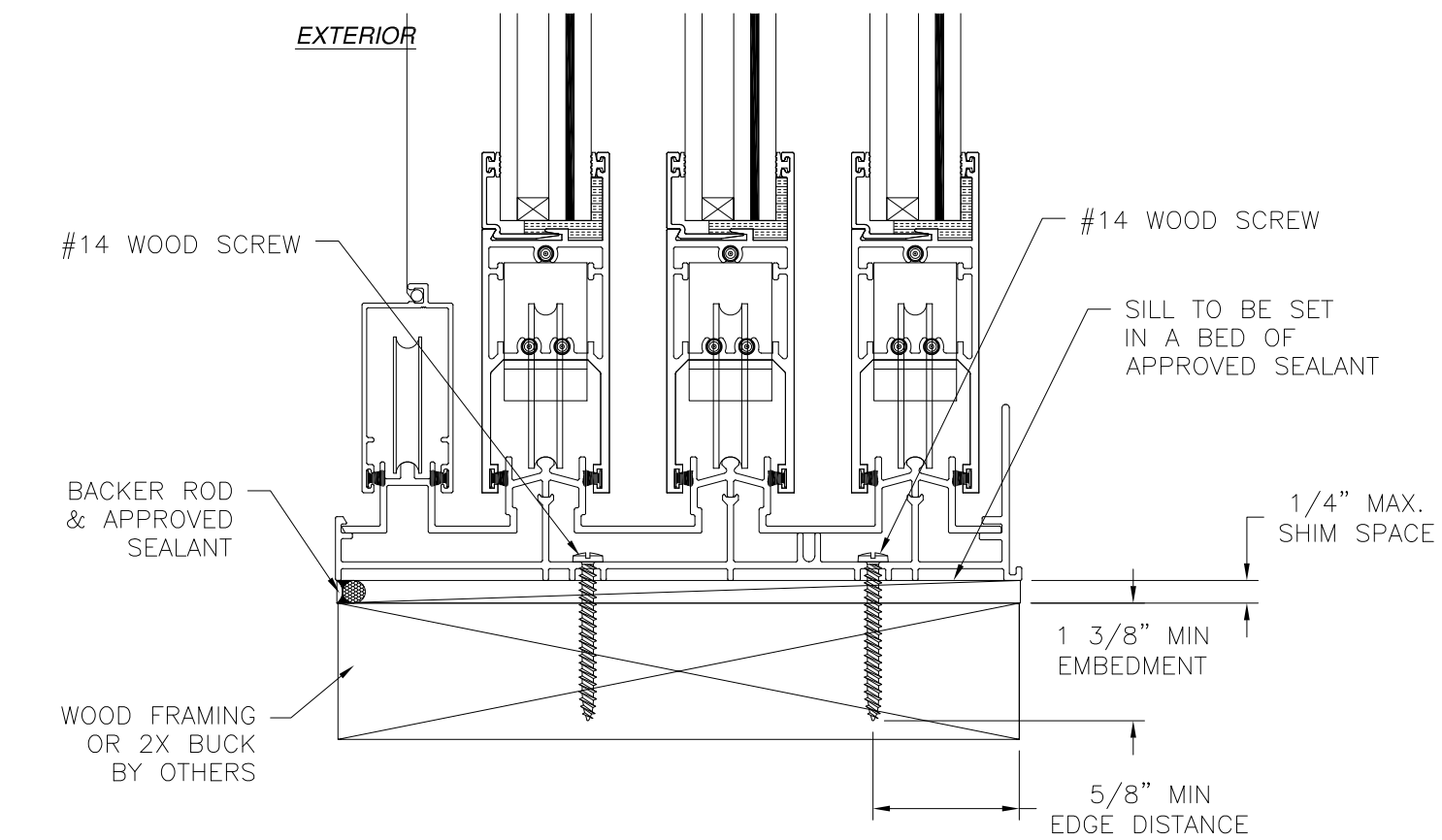


Luis R. Lomas P.E.  
FL No.: 62514

REVISIONS			
REV	DESCRIPTION	DATE	APPROVED
A	REVISED PER NEW REQUIREMENTS	12/13/23	R.L.



**JAMB INSTALLATION DETAIL**  
WOOD FRAMING OR 2X BUCK INSTALLATION



**VERTICAL CROSS SECTION**  
WOOD FRAMING OR 2X BUCK INSTALLATION

- NOTES:**
- INTERIOR AND EXTERIOR FINISHES, BY OTHERS, NOT SHOWN FOR CLARITY.
  - PERIMETER AND JOINT SEALANT BY OTHERS TO BE DESIGNED IN ACCORDANCE WITH ASTM E2112

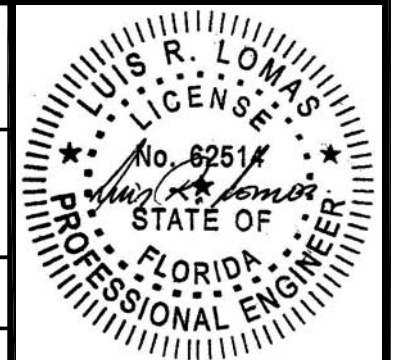
SIGNED: 01/03/2024

**EASTERN ARCHITECTURAL SYSTEMS**  
16341 DOMESTIC AVENUE  
FT. MYERS, FL 33912

SERIES 7000 ALUMINUM SLIDING GLASS DOOR  
LARGE MISSILE IMPACT  
3 TRACK INSTALLATION DETAILS

DRAWN: A.R.	DWG NO. 08-03375	REV A
SCALE NTS	DATE 12/13/18	SHEET 8 OF 19

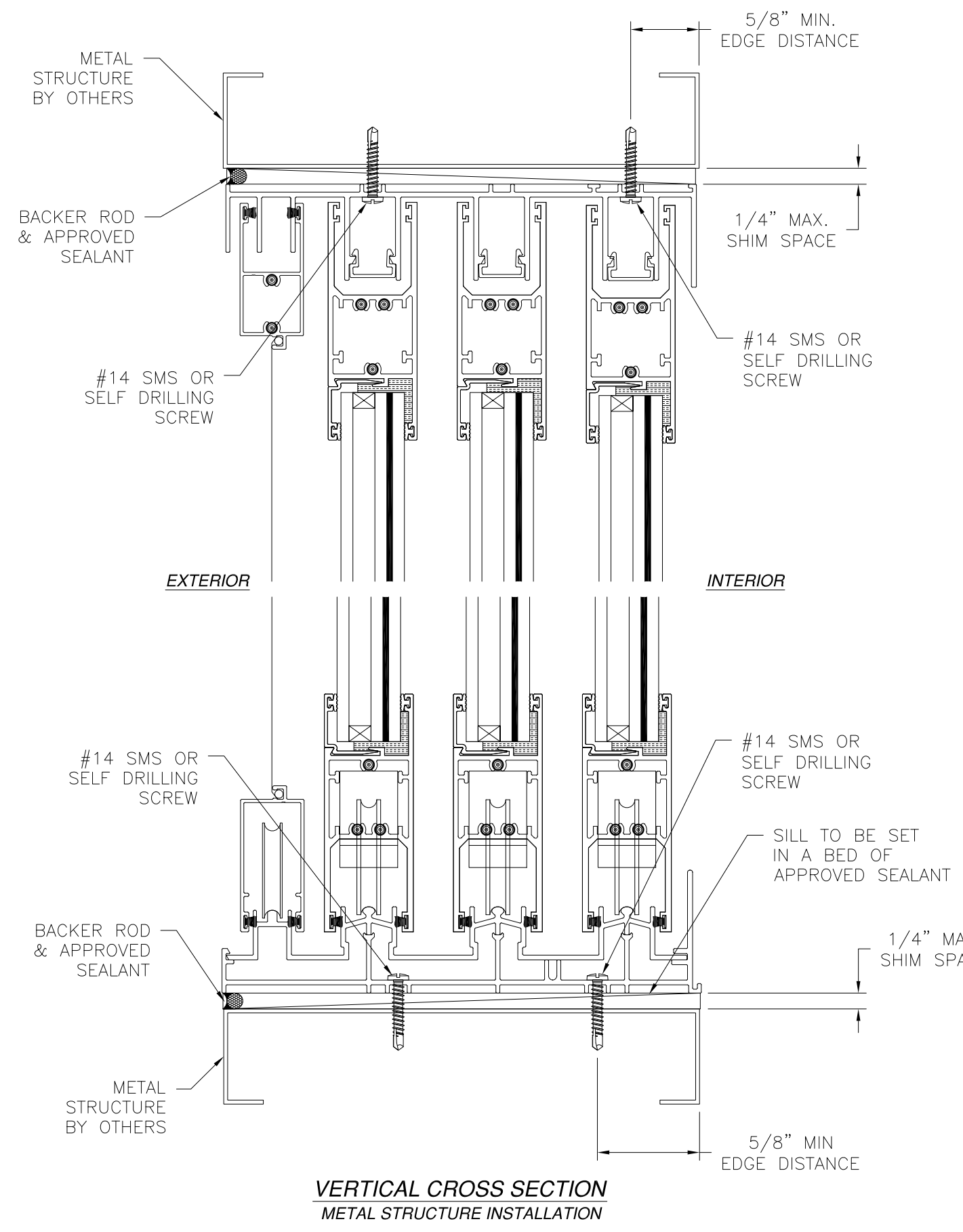
L. ROBERTO LOMAS P.E.  
208 7th Ave, INDIALANTIC, FL 32903  
434-688-0609 rllomas@lrlomaspe.com



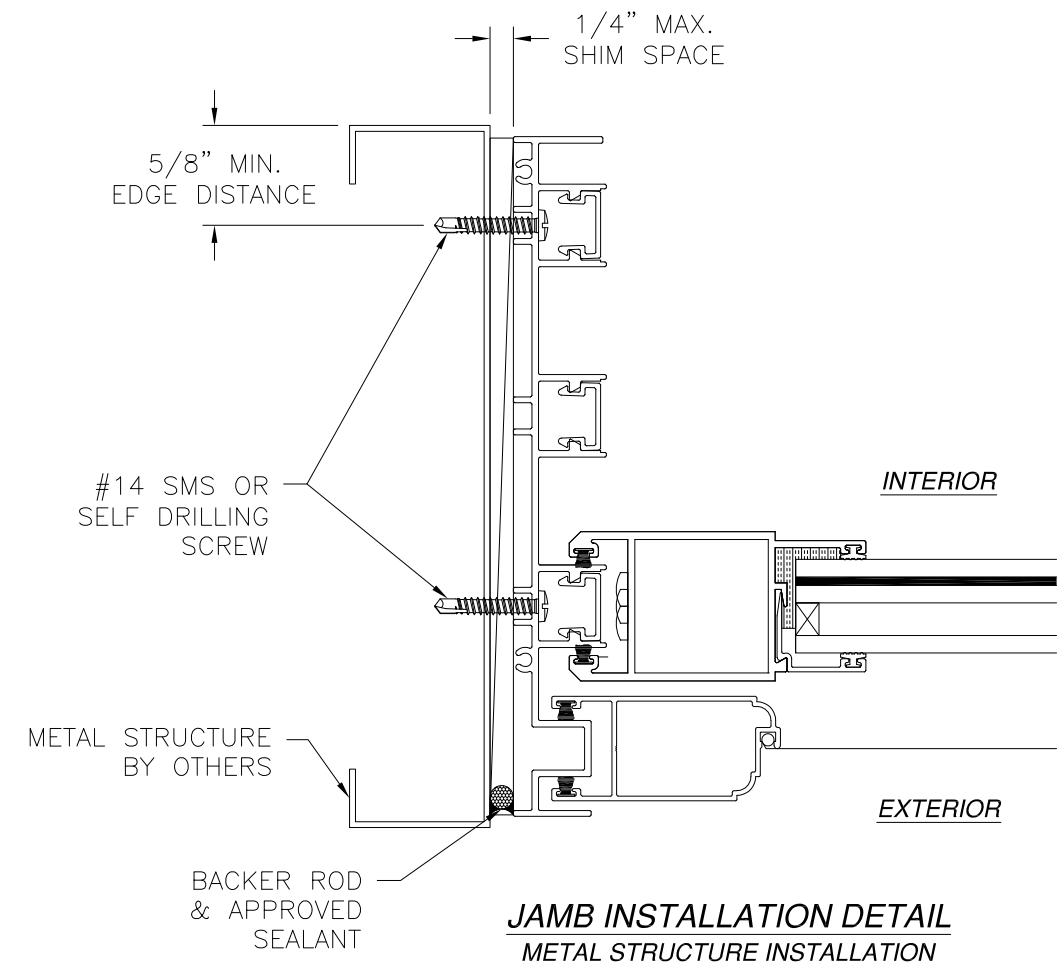
Luis R. Lomas P.E.  
FL No.: 62514



REVISIONS			
REV	DESCRIPTION	DATE	APPROVED
A	REVISED PER NEW REQUIREMENTS	12/13/23	R.L.



**VERTICAL CROSS SECTION**  
METAL STRUCTURE INSTALLATION

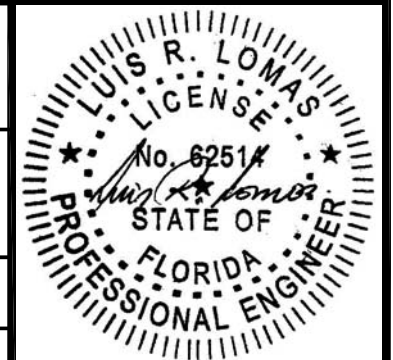


**JAMB INSTALLATION DETAIL**  
METAL STRUCTURE INSTALLATION

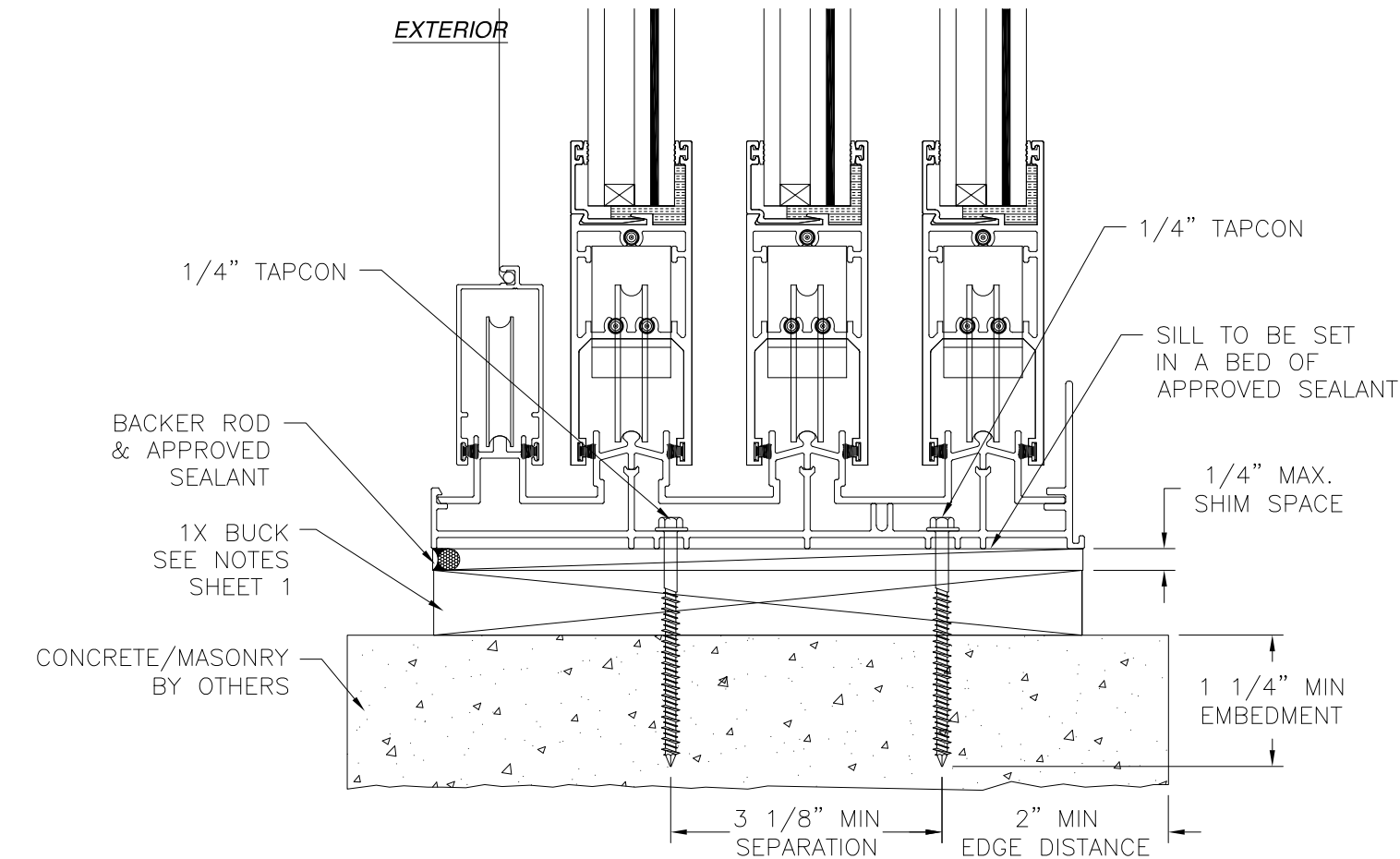
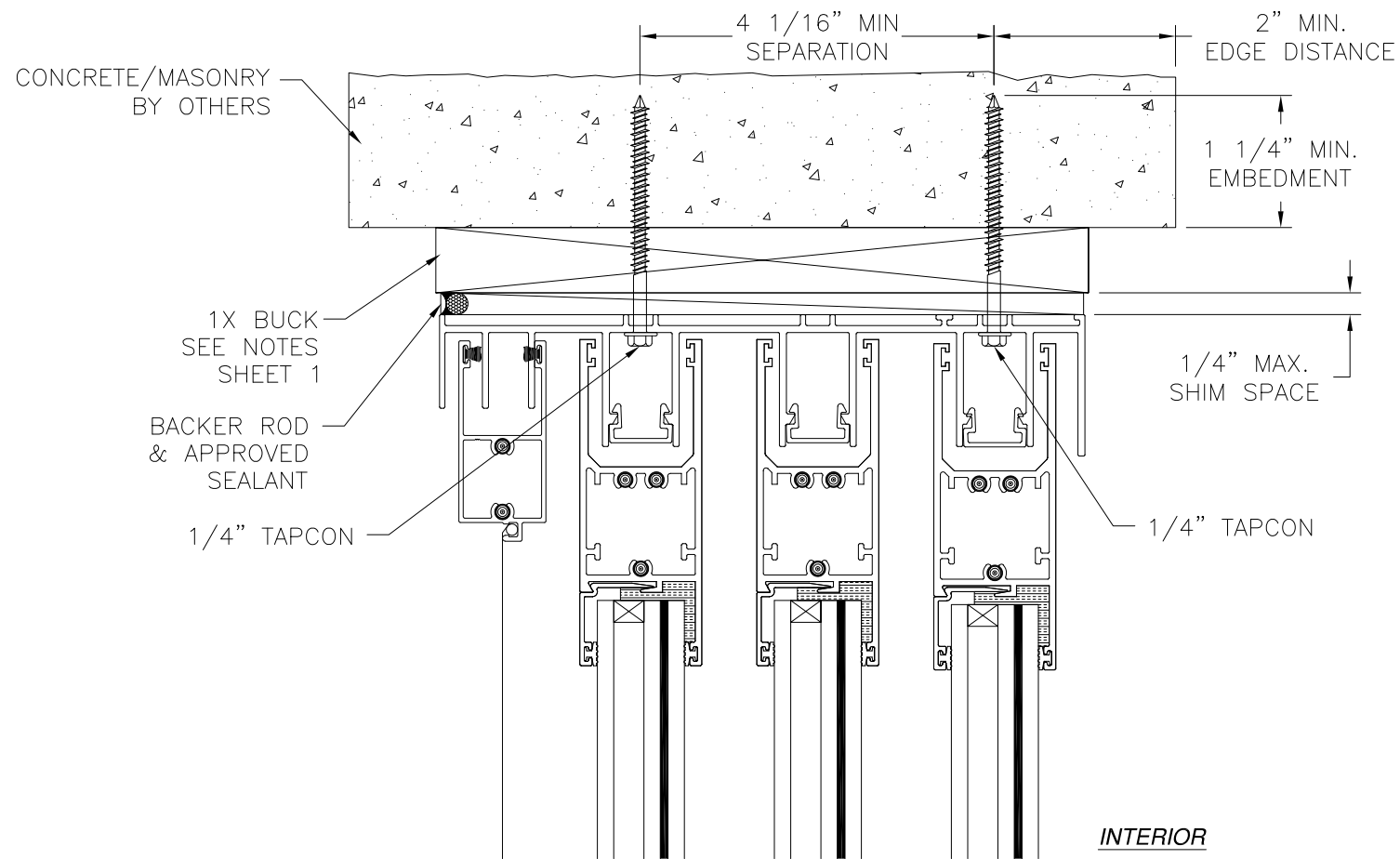
- NOTES:**
1. INTERIOR AND EXTERIOR FINISHES, BY OTHERS, NOT SHOWN FOR CLARITY.
  2. PERIMETER AND JOINT SEALANT BY OTHERS TO BE DESIGNED IN ACCORDANCE WITH ASTM E2112

SIGNED: 01/03/2024

EASTERN ARCHITECTURAL SYSTEMS 16341 DOMESTIC AVENUE FT. MYERS, FL 33912		
SERIES 7000 ALUMINUM SLIDING GLASS DOOR LARGE MISSILE IMPACT 3 TRACK INSTALLATION DETAILS		
DRAWN: A.R.	DWG NO. 08-03375	REV A
SCALE NTS	DATE 12/13/18	SHEET 9 OF 19
L. ROBERTO LOMAS P.E. 208 7th Ave, INDIALANTIC, FL 32903 434-688-0609 rllomas@lrlomaspe.com		

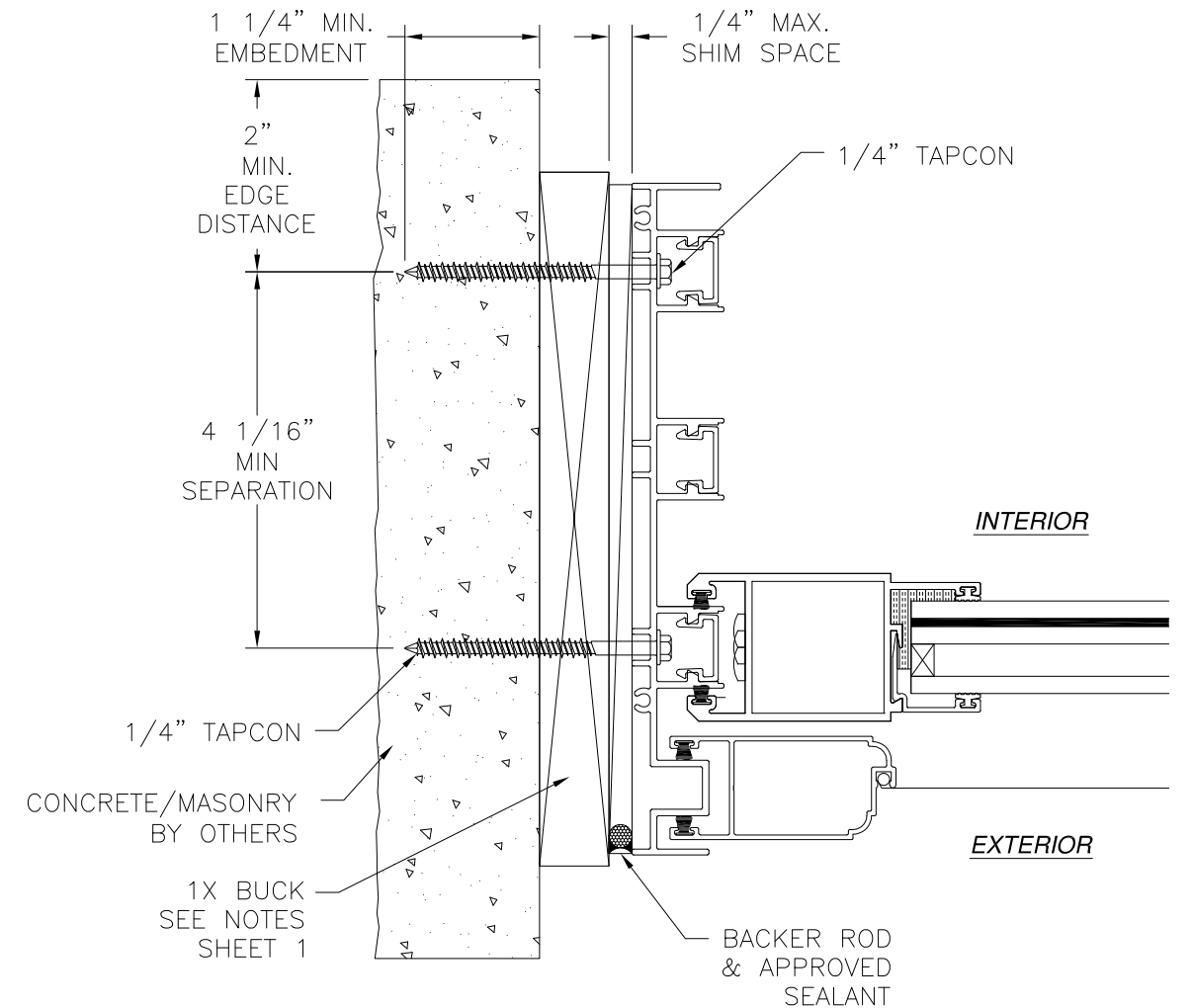


Luis R. Lomas P.E.  
FL No.: 62514



**VERTICAL CROSS SECTION  
CONCRETE/MASONRY INSTALLATION**

REVISIONS			
REV	DESCRIPTION	DATE	APPROVED
A	REVISED PER NEW REQUIREMENTS	12/13/23	R.L.



**JAMB INSTALLATION DETAIL  
CONCRETE/MASONRY INSTALLATION**

**NOTES:**

1. INTERIOR AND EXTERIOR FINISHES, BY OTHERS, NOT SHOWN FOR CLARITY.
2. PERIMETER AND JOINT SEALANT BY OTHERS TO BE DESIGNED IN ACCORDANCE WITH ASTM E2112

SIGNED: 01/03/2024

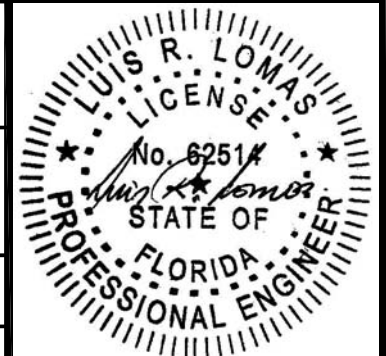
**EASTERN ARCHITECTURAL SYSTEMS**

16341 DOMESTIC AVENUE  
FT. MYERS, FL 33912

SERIES 7000 ALUMINUM SLIDING GLASS DOOR  
LARGE MISSILE IMPACT  
3 TRACK INSTALLATION DETAILS

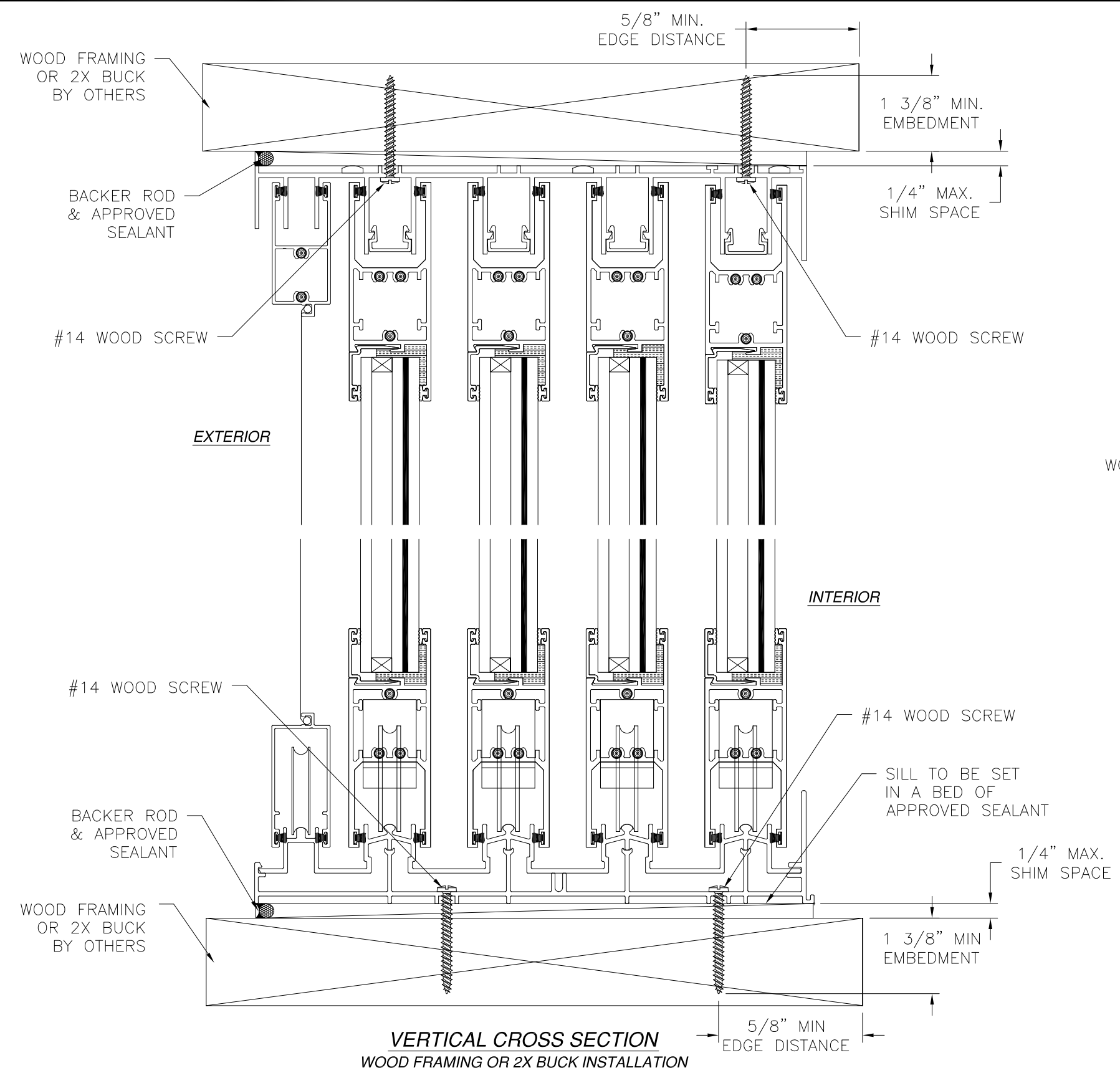
DRAWN: A.R.	DWG NO. 08-03375	REV A
SCALE NTS	DATE 12/13/18	SHEET 10 OF 19

L. ROBERTO LOMAS P.E.  
208 7th Ave, INDIALANTIC, FL 32903  
434-688-0609 rllomas@rlomaspe.com



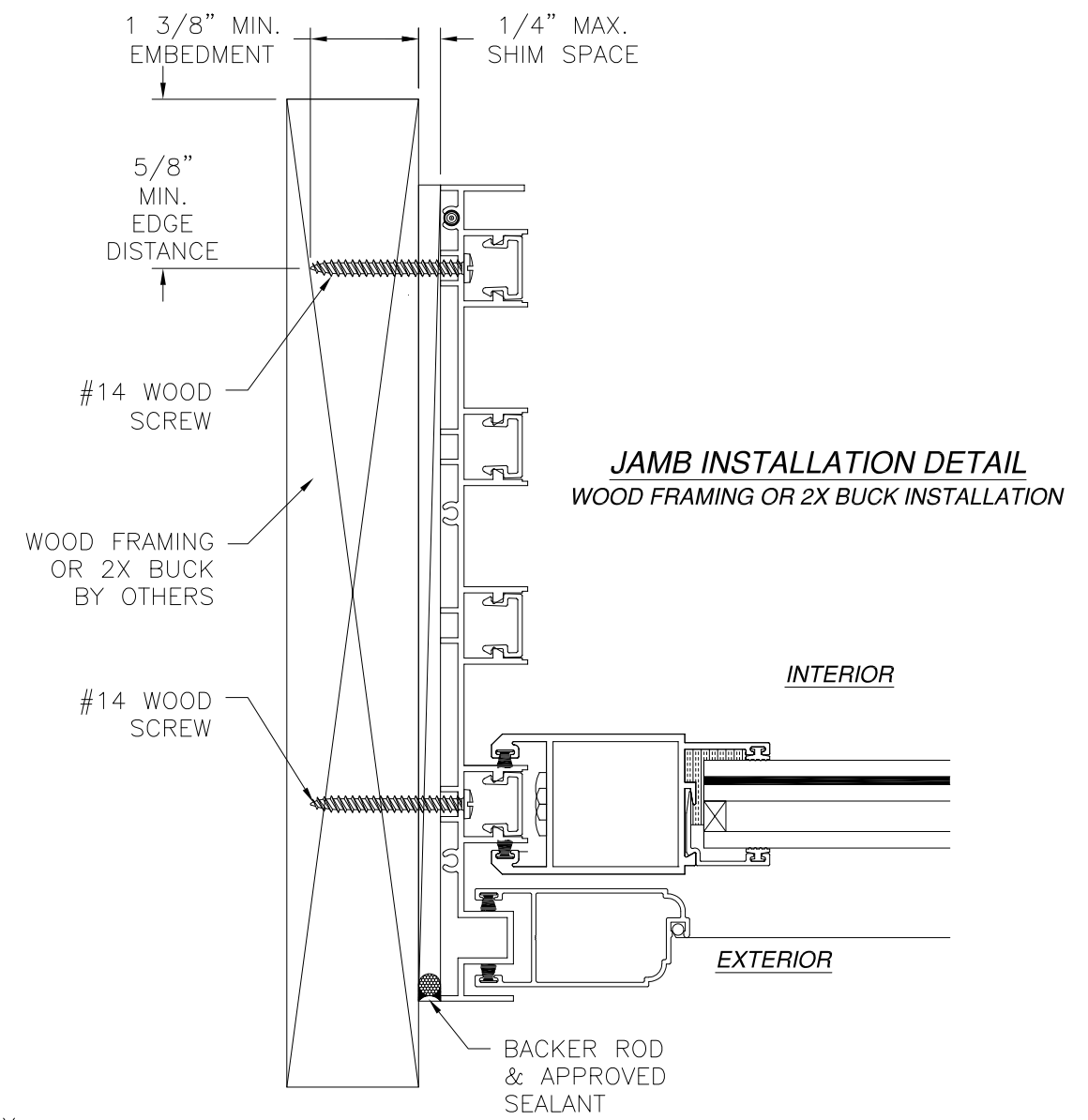
Luis R. Lomas P.E.  
FL No.: 62514

REVISIONS			
REV	DESCRIPTION	DATE	APPROVED
A	REVISED PER NEW REQUIREMENTS	12/13/23	R.L.



**VERTICAL CROSS SECTION**  
WOOD FRAMING OR 2X BUCK INSTALLATION

- NOTES:**
1. INTERIOR AND EXTERIOR FINISHES, BY OTHERS, NOT SHOWN FOR CLARITY.
  2. PERIMETER AND JOINT SEALANT BY OTHERS TO BE DESIGNED IN ACCORDANCE WITH ASTM E2112



**JAMB INSTALLATION DETAIL**  
WOOD FRAMING OR 2X BUCK INSTALLATION

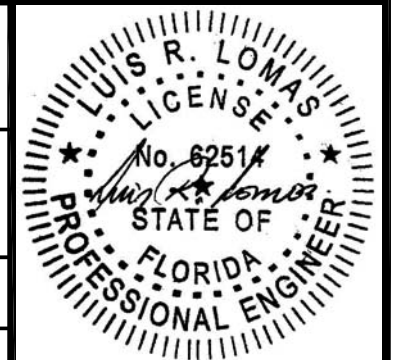
**EASTERN ARCHITECTURAL SYSTEMS**  
16341 DOMESTIC AVENUE  
FT. MYERS, FL 33912

SERIES 7000 ALUMINUM SLIDING GLASS DOOR  
LARGE MISSILE IMPACT  
4 TRACK INSTALLATION DETAILS

DRAWN: A.R.	DWG NO. 08-03375	REV A
SCALE NTS	DATE 12/13/18	SHEET 11 OF 19

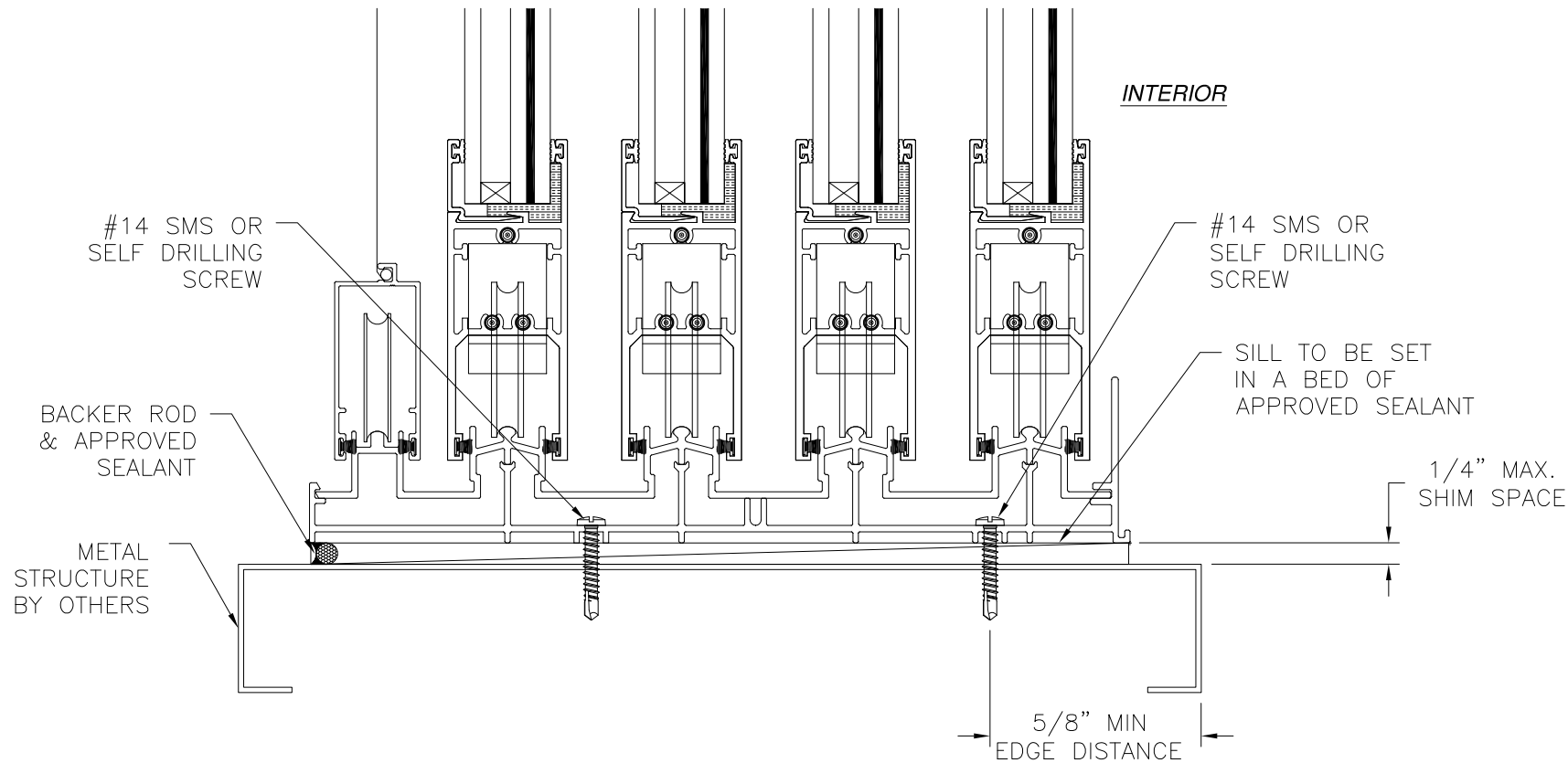
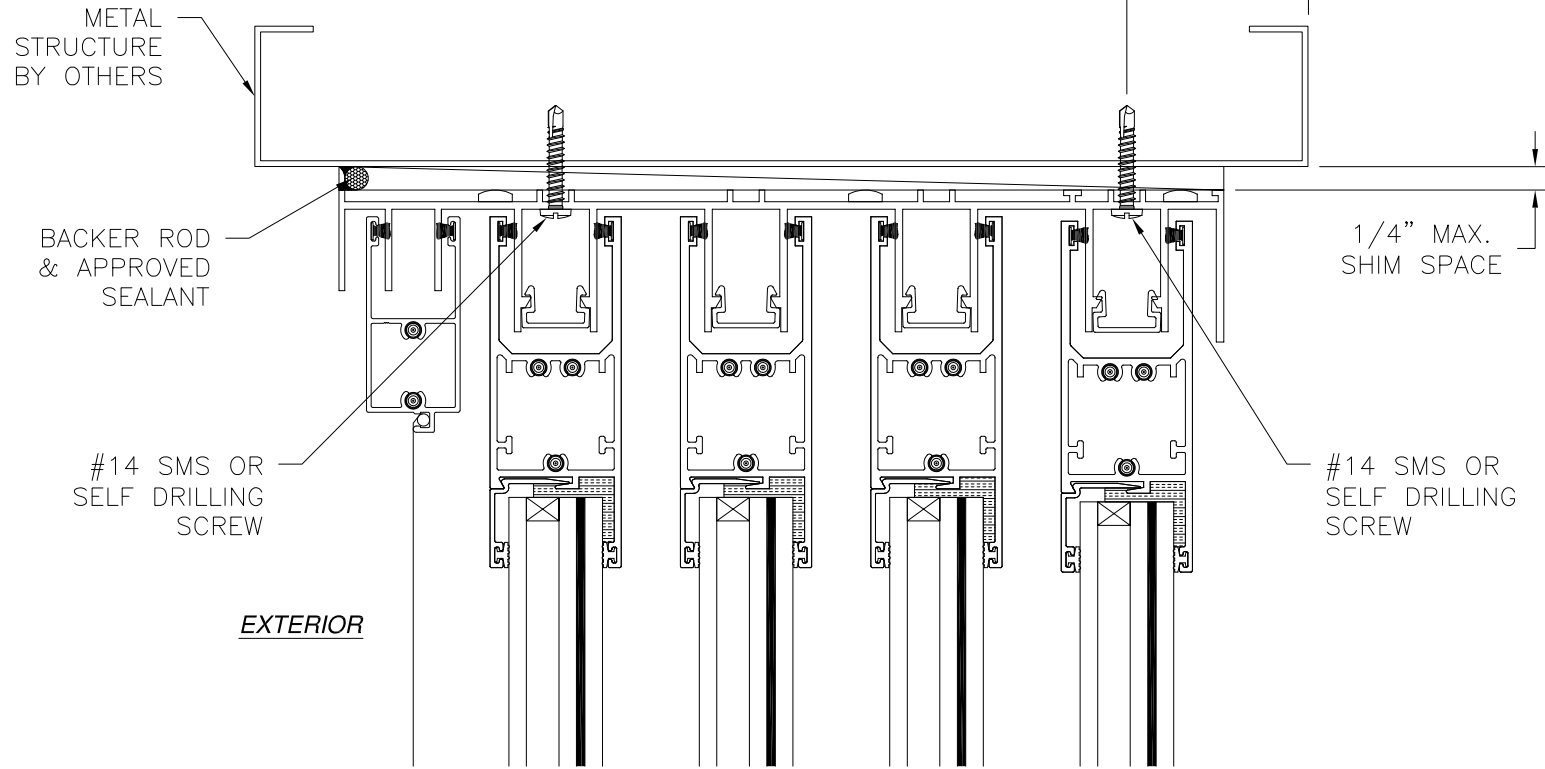
L. ROBERTO LOMAS P.E.  
208 7th Ave, INDIALANTIC, FL 32903  
434-688-0609 rllomas@lrlomaspe.com

SIGNED: 01/03/2024



Luis R. Lomas P.E.  
FL No.: 62514

5/8" MIN.  
EDGE DISTANCE



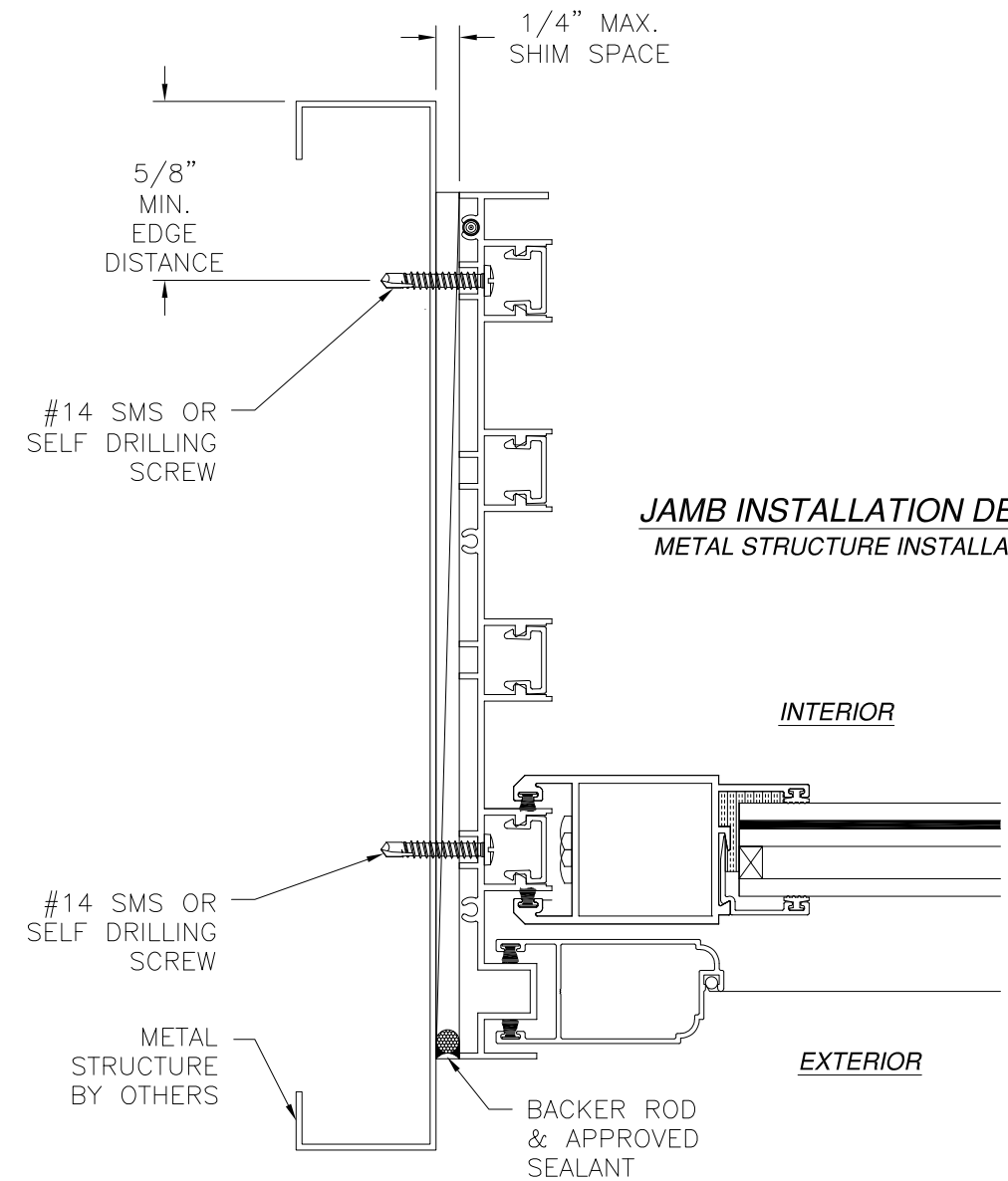
**VERTICAL CROSS SECTION**  
METAL STRUCTURE INSTALLATION

**NOTES:**

1. INTERIOR AND EXTERIOR FINISHES, BY OTHERS, NOT SHOWN FOR CLARITY.
2. PERIMETER AND JOINT SEALANT BY OTHERS TO BE DESIGNED IN ACCORDANCE WITH ASTM E2112

REVISIONS

REV	DESCRIPTION	DATE	APPROVED
A	REVISED PER NEW REQUIREMENTS	12/13/23	R.L.



**JAMB INSTALLATION DETAIL**  
METAL STRUCTURE INSTALLATION

SIGNED: 01/03/2024

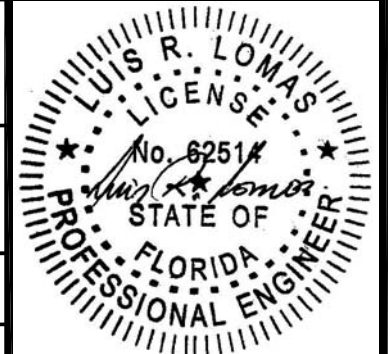
**EASTERN ARCHITECTURAL SYSTEMS**

16341 DOMESTIC AVENUE  
FT. MYERS, FL 33912

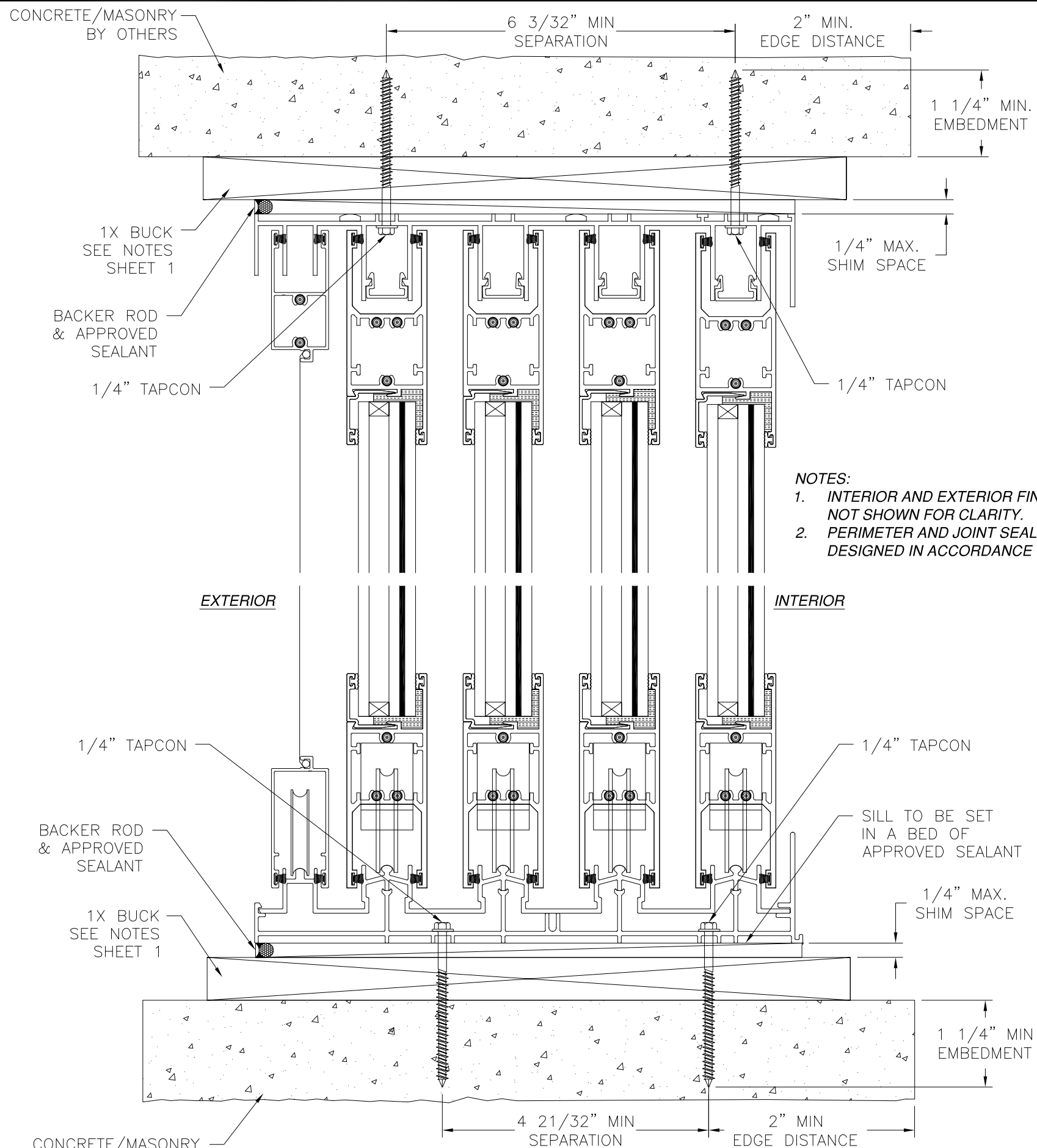
SERIES 7000 ALUMINUM SLIDING GLASS DOOR  
LARGE MISSILE IMPACT  
4 TRACK INSTALLATION DETAILS

DRAWN: A.R.	DWG NO. 08-03375	REV A
SCALE NTS	DATE 12/13/18	SHEET 12 OF 19

L. ROBERTO LOMAS P.E.  
208 7th Ave, INDIALANTIC, FL 32903  
434-688-0609 rllomas@lrlomaspe.com

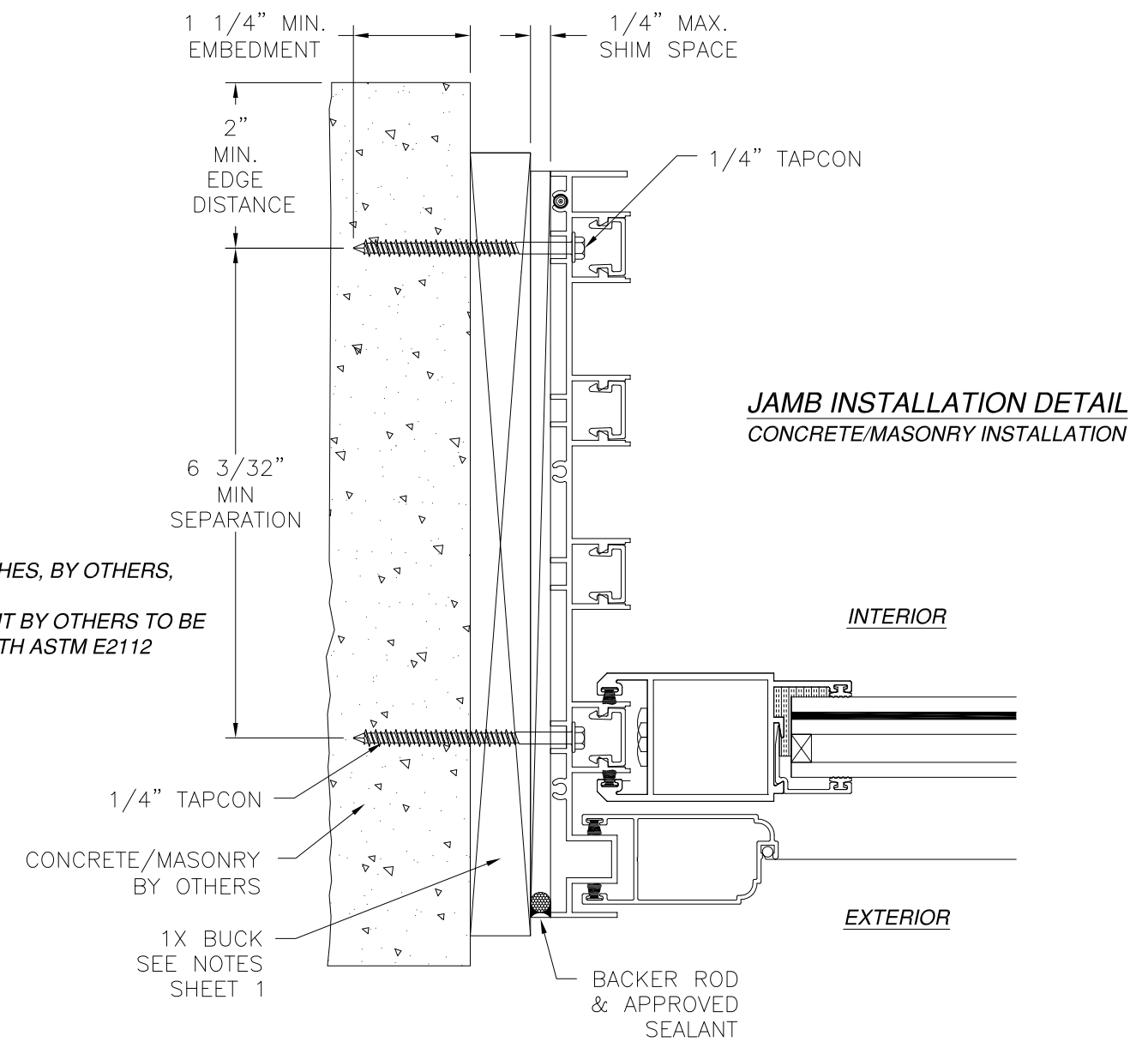


Luis R. Lomas P.E.  
FL No.: 62514



**VERTICAL CROSS SECTION  
CONCRETE/MASONRY INSTALLATION**

REVISIONS			
REV	DESCRIPTION	DATE	APPROVED
A	REVISED PER NEW REQUIREMENTS	12/13/23	R.L.



**JAMB INSTALLATION DETAIL  
CONCRETE/MASONRY INSTALLATION**

- NOTES:**
1. INTERIOR AND EXTERIOR FINISHES, BY OTHERS, NOT SHOWN FOR CLARITY.
  2. PERIMETER AND JOINT SEALANT BY OTHERS TO BE DESIGNED IN ACCORDANCE WITH ASTM E2112

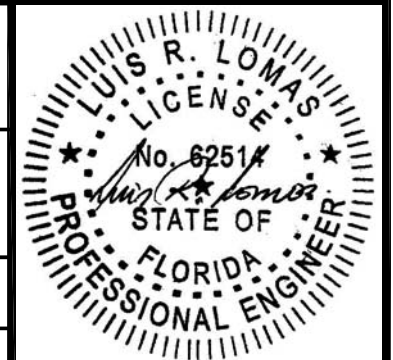
SIGNED: 01/03/2024

**EASTERN ARCHITECTURAL SYSTEMS**  
 16341 DOMESTIC AVENUE  
 FT. MYERS, FL 33912

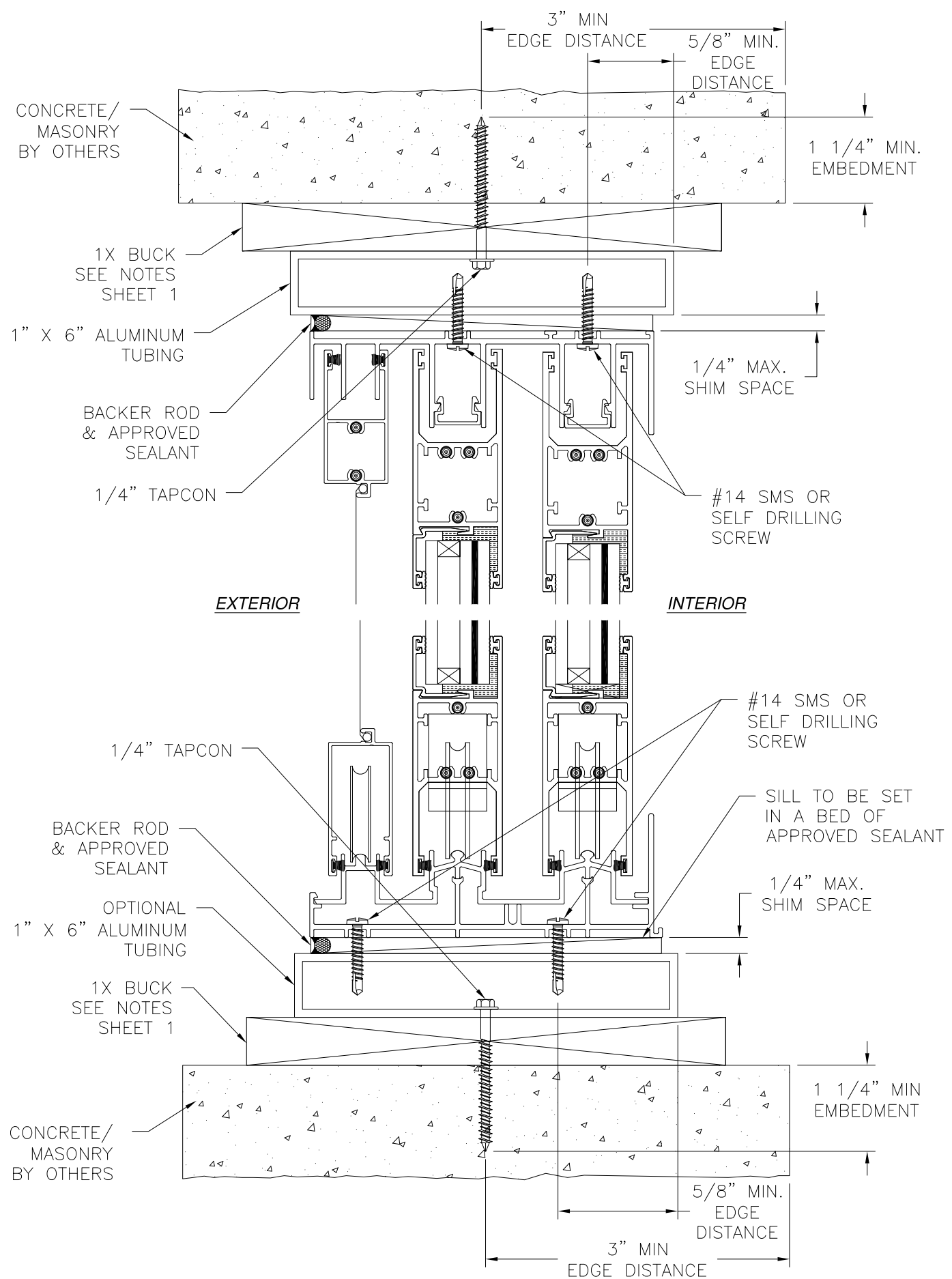
SERIES 7000 ALUMINUM SLIDING GLASS DOOR  
 LARGE MISSILE IMPACT  
 4 TRACK INSTALLATION DETAILS

DRAWN: A.R.	DWG NO. 08-03375	REV A
SCALE NTS	DATE 12/13/18	SHEET 13 OF 19

L. ROBERTO LOMAS P.E.  
 208 7th Ave, INDIALANTIC, FL 32903  
 434-688-0609 rllomas@rlomaspe.com

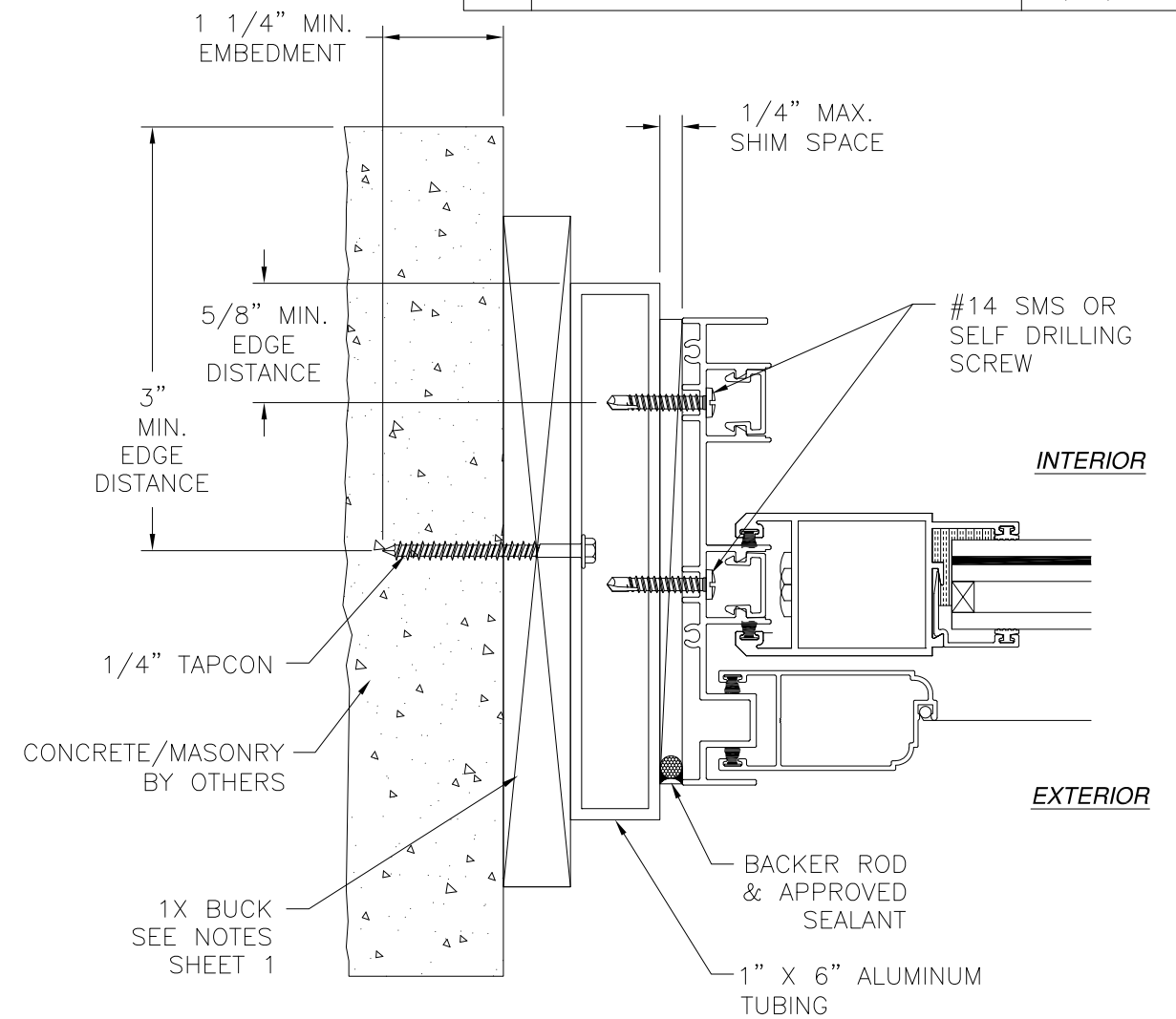


Luis R. Lomas P.E.  
 FL No.: 62514



**VERTICAL CROSS SECTION  
CONCRETE/MASONRY INSTALLATION**

REVISIONS			
REV	DESCRIPTION	DATE	APPROVED
A	REVISED PER NEW REQUIREMENTS	12/13/23	R.L.

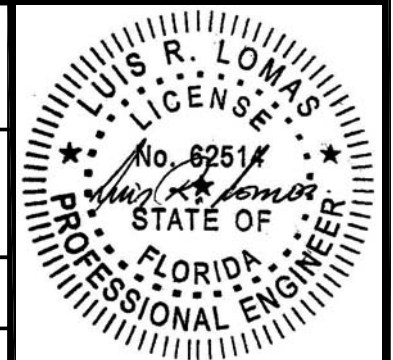


**JAMB INSTALLATION DETAIL  
CONCRETE/MASONRY INSTALLATION**

- NOTES:**
1. INTERIOR AND EXTERIOR FINISHES, BY OTHERS, NOT SHOWN FOR CLARITY.
  2. PERIMETER AND JOINT SEALANT BY OTHERS TO BE DESIGNED IN ACCORDANCE WITH ASTM E2112

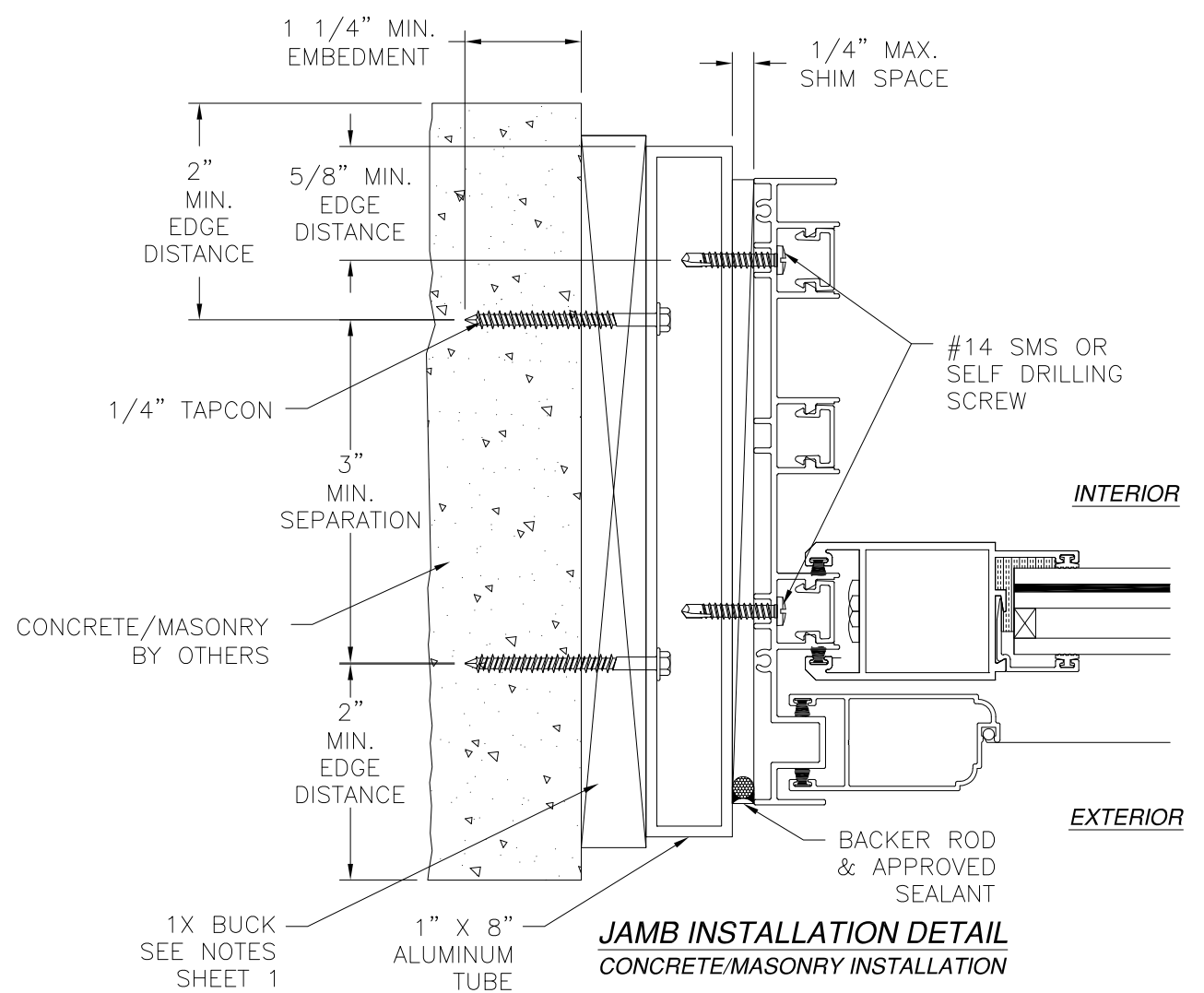
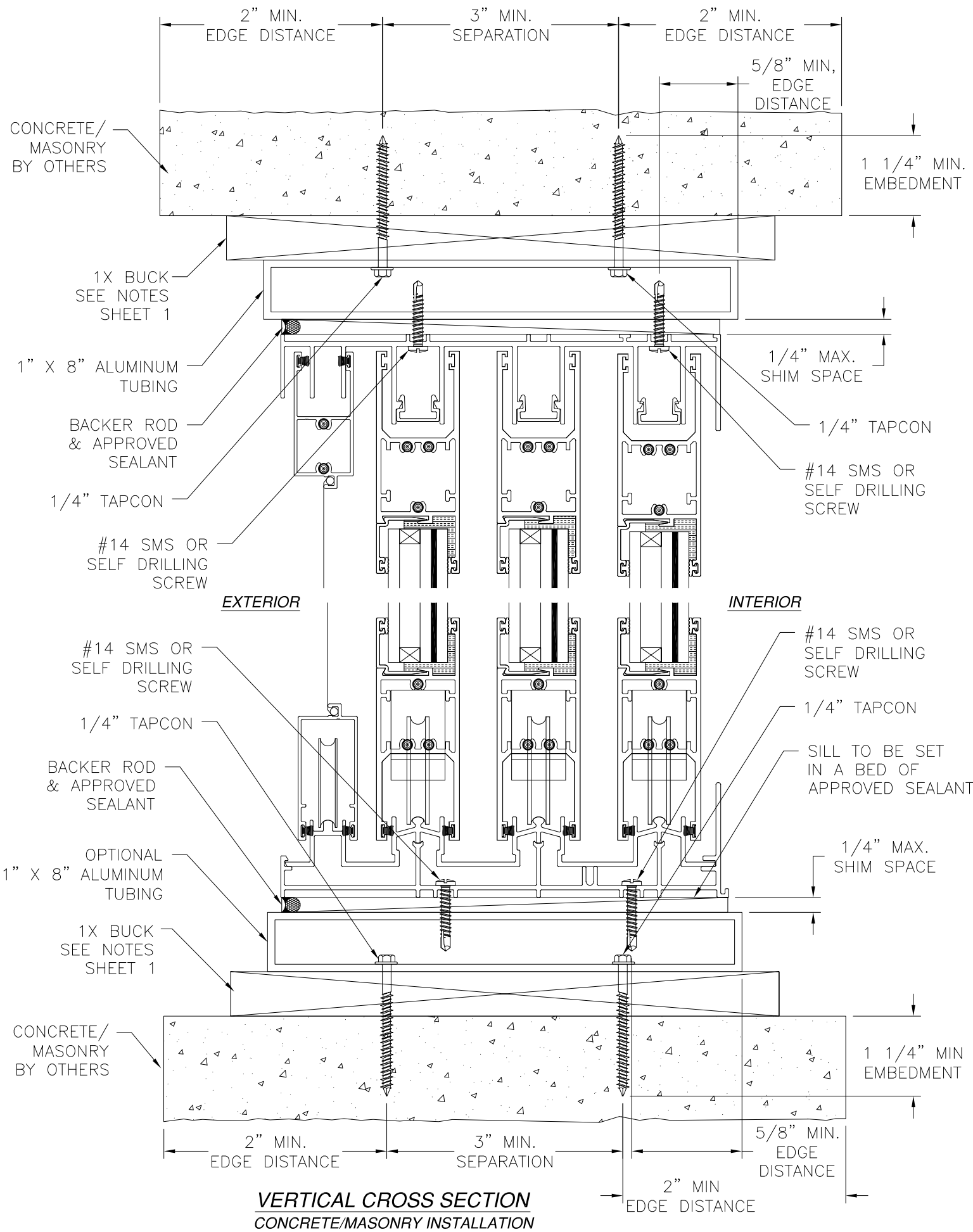
SIGNED: 01/03/2024

EASTERN ARCHITECTURAL SYSTEMS 16341 DOMESTIC AVENUE FT. MYERS, FL 33912		
SERIES 7000 ALUMINUM SLIDING GLASS DOOR LARGE MISSILE IMPACT 2 TRACK BUILD OUT INSTALLATION DETAILS		
DRAWN: A.R.	DWG NO. 08-03375	REV A
SCALE NTS	DATE 12/13/18	SHEET 14 OF 19
L. ROBERTO LOMAS P.E. 208 7th Ave, INDIALANTIC, FL 32903 434-688-0609 rllomas@lrlomaspe.com		



Luis R. Lomas P.E.  
FL No.: 62514

REVISIONS			
REV	DESCRIPTION	DATE	APPROVED
A	REVISED PER NEW REQUIREMENTS	12/13/23	R.L.



- NOTES:**
1. INTERIOR AND EXTERIOR FINISHES, BY OTHERS, NOT SHOWN FOR CLARITY.
  2. PERIMETER AND JOINT SEALANT BY OTHERS TO BE DESIGNED IN ACCORDANCE WITH ASTM E2112

SIGNED: 01/03/2024

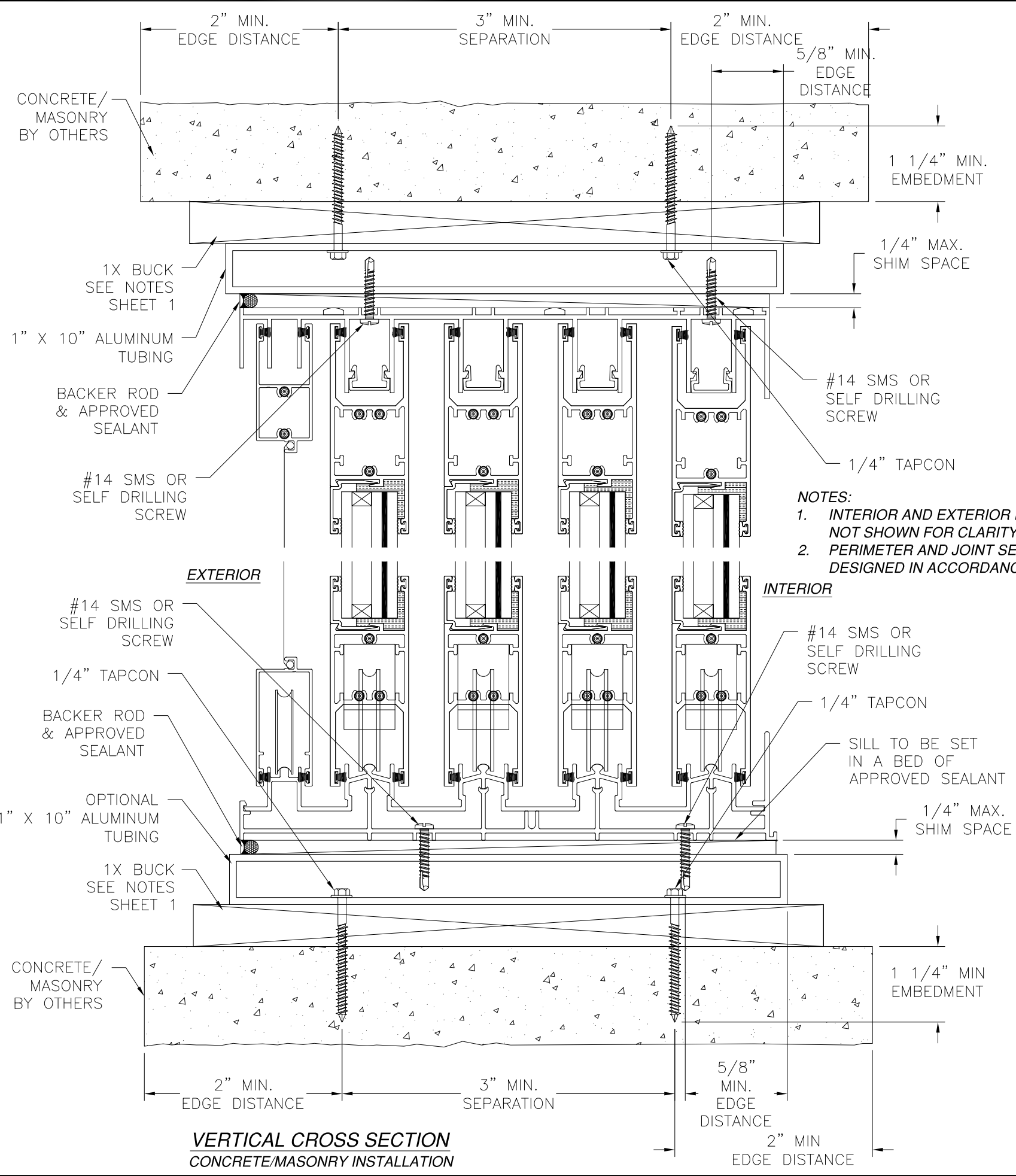
**EASTERN ARCHITECTURAL SYSTEMS**  
 16341 DOMESTIC AVENUE  
 FT. MYERS, FL 33912

SERIES 7000 ALUMINUM SLIDING GLASS DOOR  
 LARGE MISSILE IMPACT  
 3 TRACK BUILD OUT INSTALLATION DETAILS

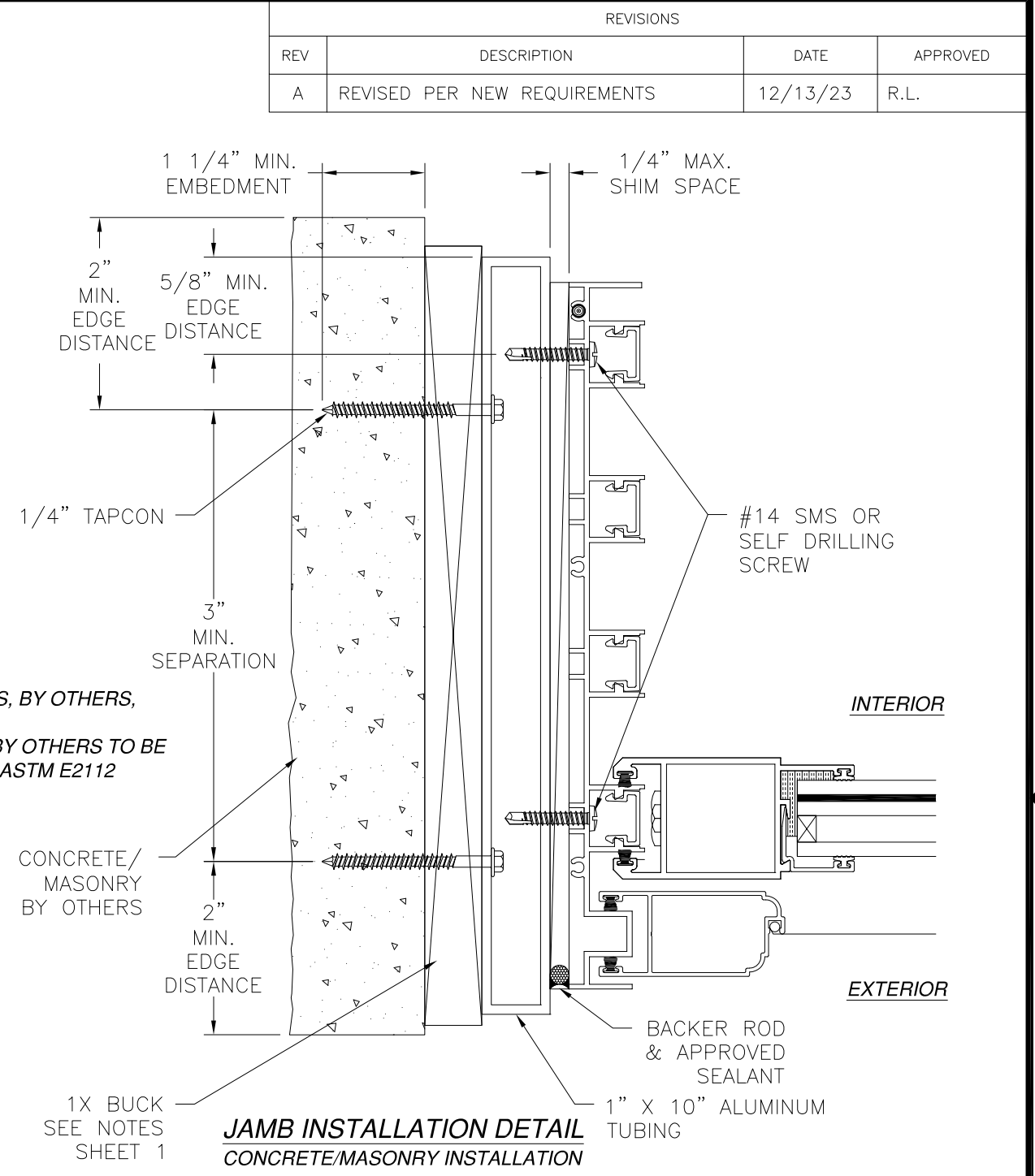
DRAWN: A.R.	DWG NO. 08-03375	REV A
SCALE NTS	DATE 12/13/18	SHEET 15 OF 19

L. ROBERTO LOMAS P.E.  
 208 7th Ave, INDIALANTIC, FL 32903  
 434-688-0609 rllomas@rlomaspe.com

Luis R. Lomas P.E.  
 FL No.: 62514



**VERTICAL CROSS SECTION  
CONCRETE/MASONRY INSTALLATION**



**JAMB INSTALLATION DETAIL  
CONCRETE/MASONRY INSTALLATION**

- NOTES:**
1. INTERIOR AND EXTERIOR FINISHES, BY OTHERS, NOT SHOWN FOR CLARITY.
  2. PERIMETER AND JOINT SEALANT BY OTHERS TO BE DESIGNED IN ACCORDANCE WITH ASTM E2112

REVISIONS			
REV	DESCRIPTION	DATE	APPROVED
A	REVISED PER NEW REQUIREMENTS	12/13/23	R.L.

**EASTERN ARCHITECTURAL SYSTEMS**  
16341 DOMESTIC AVENUE  
FT. MYERS, FL 33912

SERIES 7000 ALUMINUM SLIDING GLASS DOOR  
LARGE MISSILE IMPACT  
4 TRACK BUILD OUT INSTALLATION DETAILS

DRAWN: A.R.	DWG NO. 08-03375	REV A
SCALE NTS	DATE 12/13/18	SHEET 16 OF 19

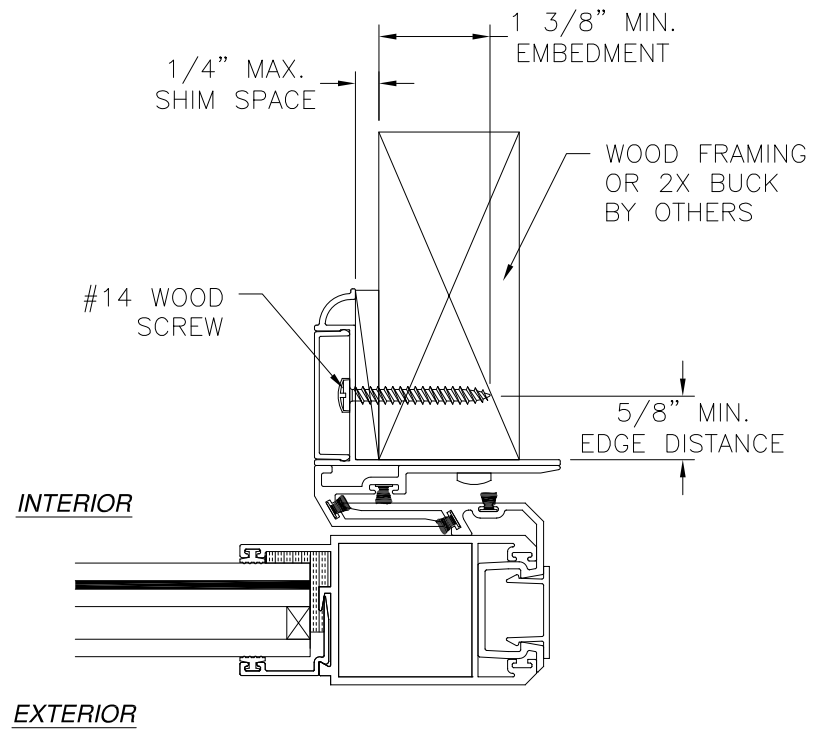
L. ROBERTO LOMAS P.E.  
208 7th Ave, INDIALANTIC, FL 32903  
434-688-0609 rllomas@rlomaspe.com

SIGNED: 01/03/2024

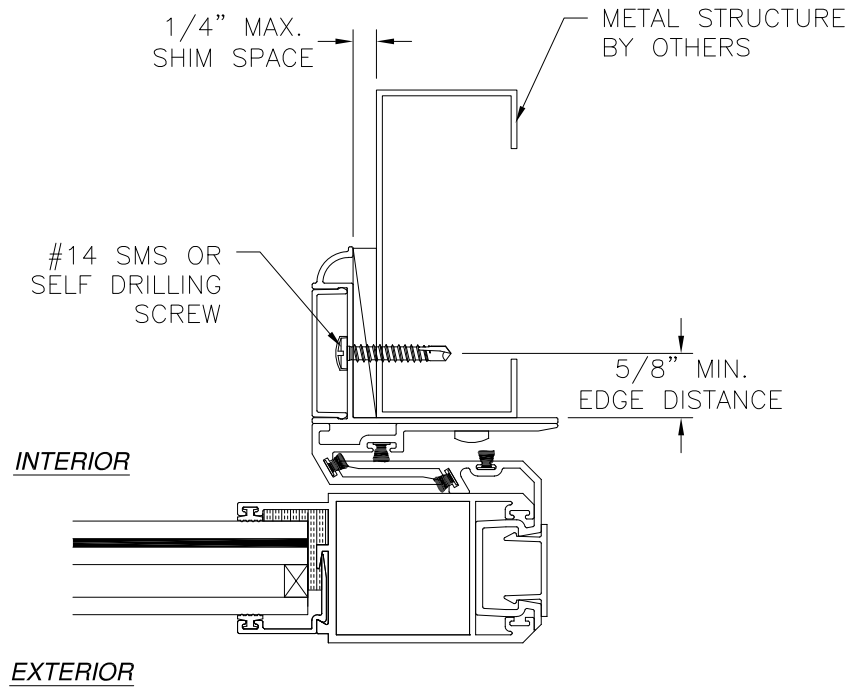
Luis R. Lomas P.E.  
FL No.: 62514



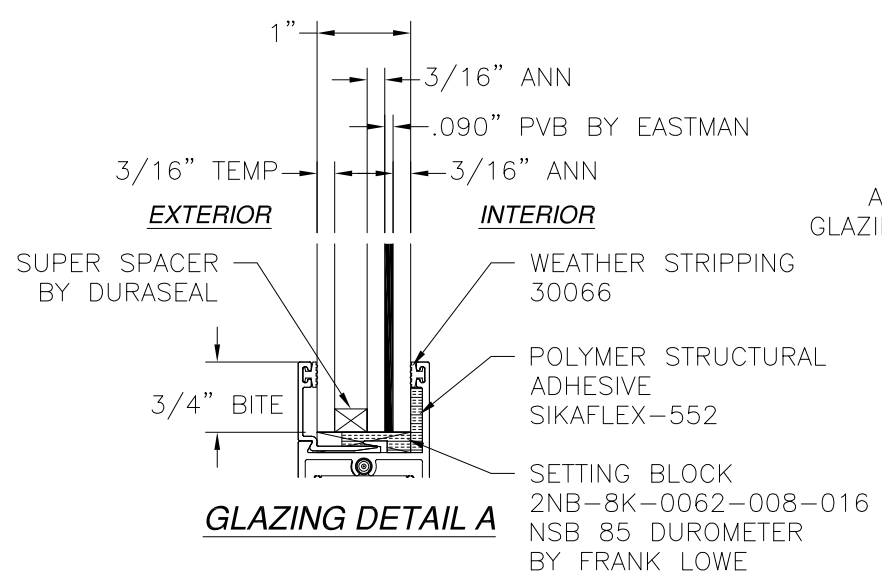
REVISIONS			
REV	DESCRIPTION	DATE	APPROVED
A	REVISED PER NEW REQUIREMENTS	12/13/23	R.L.



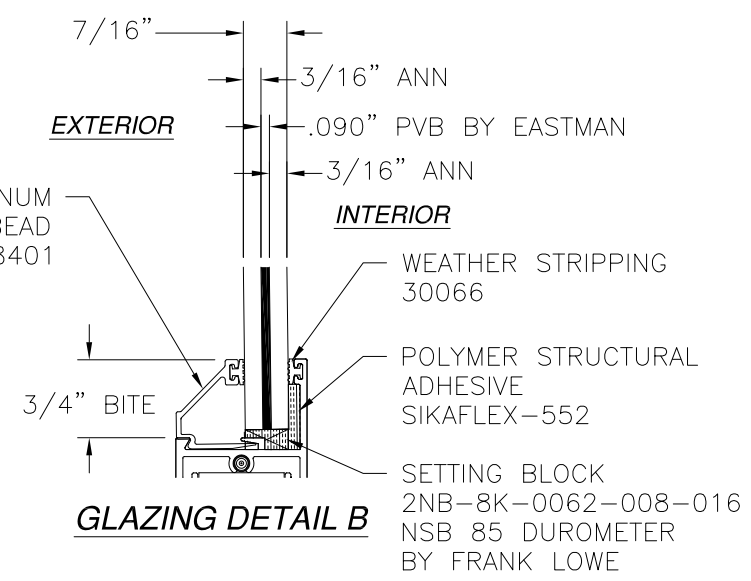
**HOOK INSTALLATION DETAIL**  
WOOD FRAMING OR 2X BUCK INSTALLATION



**HOOK INSTALLATION DETAIL**  
METAL STRUCTURE INSTALLATION



**GLAZING DETAIL A**



**GLAZING DETAIL B**

- NOTES:**
1. INTERIOR AND EXTERIOR FINISHES, BY OTHERS, NOT SHOWN FOR CLARITY.
  2. PERIMETER AND JOINT SEALANT BY OTHERS TO BE DESIGNED IN ACCORDANCE WITH ASTM E2112

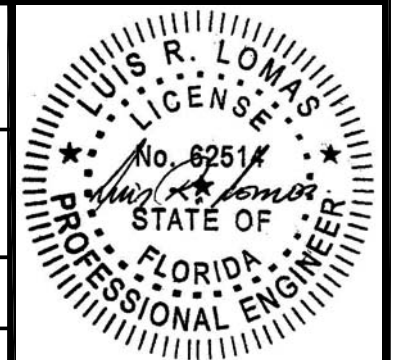
**EASTERN ARCHITECTURAL SYSTEMS**  
16341 DOMESTIC AVENUE  
FT. MYERS, FL 33912

SERIES 7000 ALUMINUM SLIDING GLASS DOOR  
LARGE MISSILE IMPACT  
HOOK INSTALLATION DETAILS

DRAWN: A.R.	DWG NO. 08-03375	REV A
SCALE NTS	DATE 12/13/18	SHEET 17 OF 19

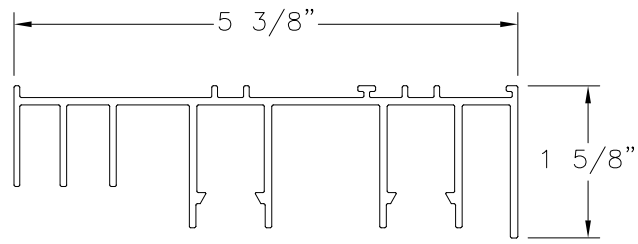
L. ROBERTO LOMAS P.E.  
208 7th Ave, INDIALANTIC, FL 32903  
434-688-0609 rllomas@rlomaspe.com

SIGNED: 01/03/2024

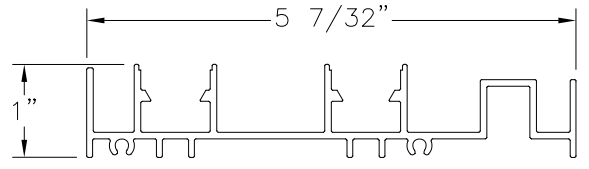


Luis R. Lomas P.E.  
FL No.: 62514

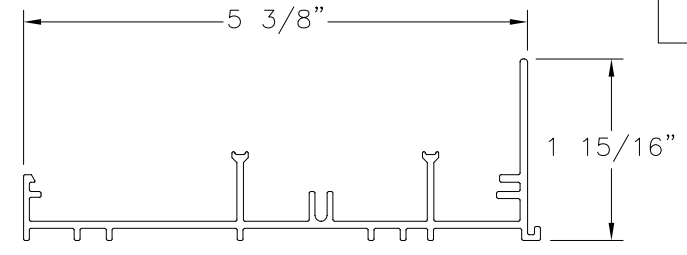
REVISIONS			
REV	DESCRIPTION	DATE	APPROVED
A	REVISED PER NEW REQUIREMENTS	12/13/23	R.L.



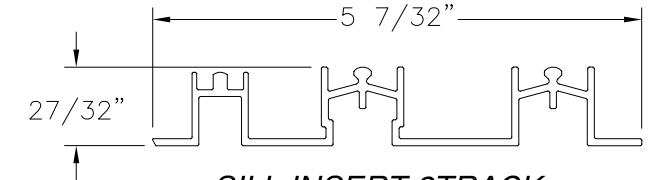
**FRAME HEAD 2TRACK**  
ALUMINUM 6063-T6 BY SAPA (57339)



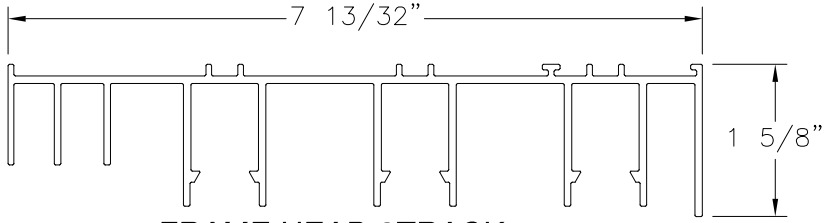
**FRAME JAMB 2TRACK**  
ALUMINUM 6063-T6 BY SAPA (57336)



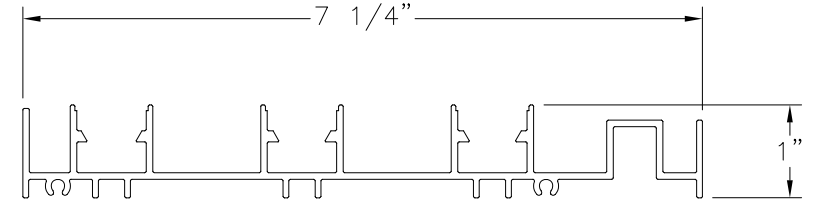
**FRAME SILL 2TRACK**  
ALUMINUM 6063-T6 BY SAPA (3291)



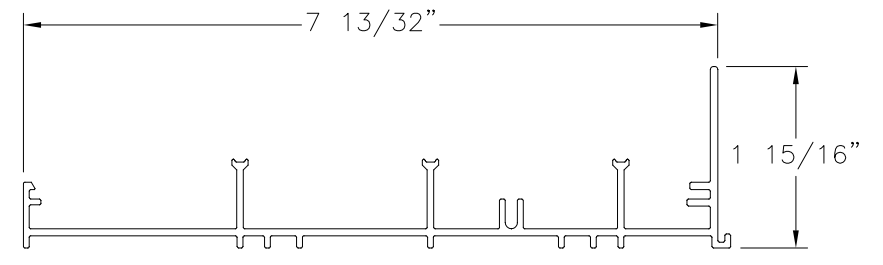
**SILL INSERT 2TRACK**  
ALUMINUM 6063-T6 BY SAPA (3288)



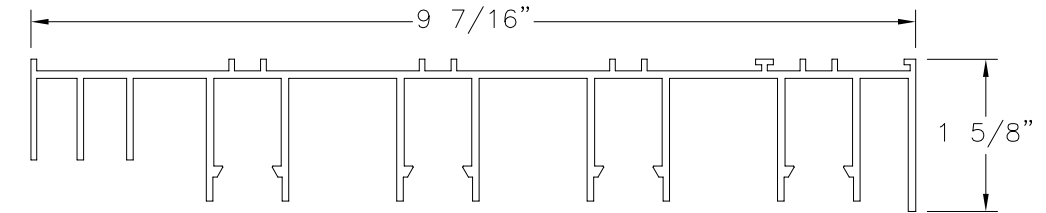
**FRAME HEAD 3TRACK**  
ALUMINUM 6063-T6 BY SAPA (57339)



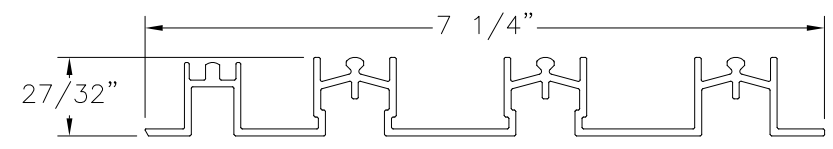
**FRAME JAMB 3TRACK**  
ALUMINUM 6063-T6 BY SAPA (57336)



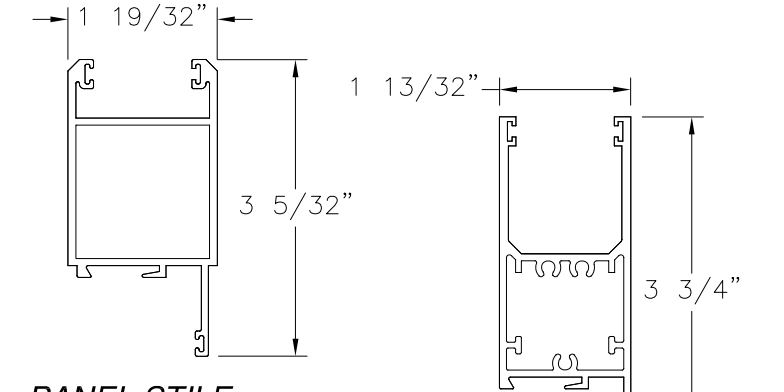
**FRAME SILL 3TRACK**  
ALUMINUM 6063-T6 BY SAPA (3291)



**FRAME HEAD 4TRACK**  
ALUMINUM 6063-T6 BY SAPA (57339)

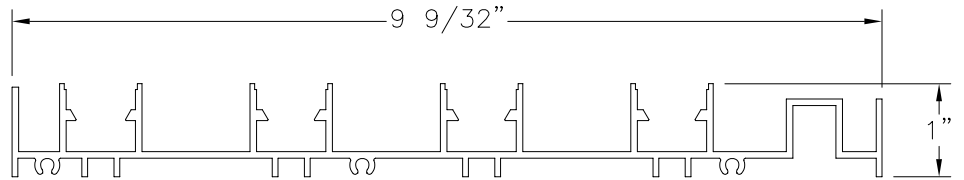


**SILL INSERT 3TRACK**  
ALUMINUM 6063-T6 BY SAPA (3288)

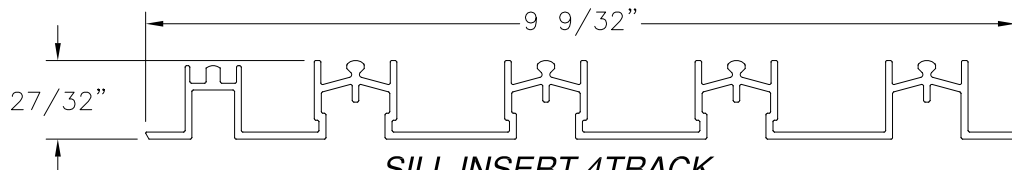


**PANEL STILE**  
ALUMINUM 6063-T6 BY SAPA (57276)

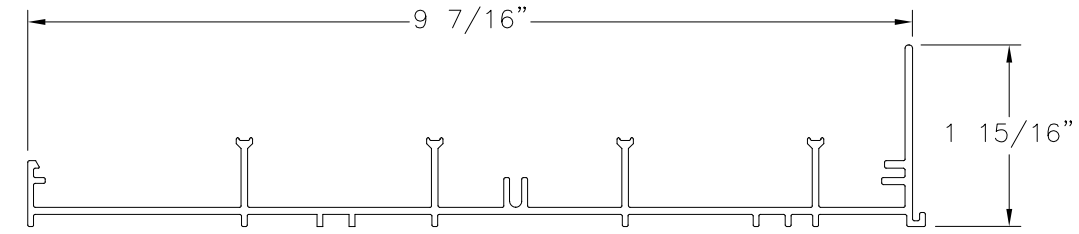
**PANEL TOP & BOTTOM RAIL**  
ALUMINUM 6063-T6 BY SAPA (57275)



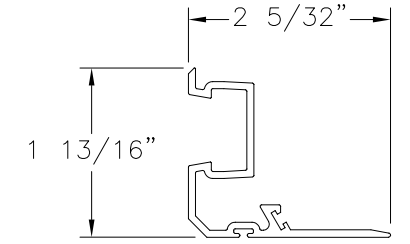
**FRAME JAMB 4TRACK**  
ALUMINUM 6063-T6 BY SAPA (57336)



**SILL INSERT 4TRACK**  
ALUMINUM 6063-T6 BY SAPA (3288)



**FRAME SILL 4TRACK**  
ALUMINUM 6063-T6 BY SAPA (3291)



**PANEL INTELOCK ADAPTER**  
ALUMINUM 6063-T6 BY SAPA (57277)

SIGNED: 01/03/2024

**EASTERN ARCHITECTURAL SYSTEMS**  
16341 DOMESTIC AVENUE  
FT. MYERS, FL 33912

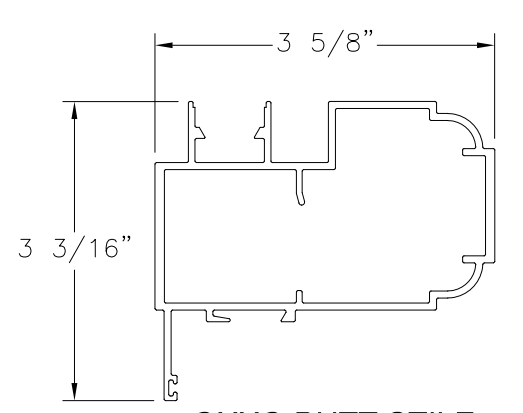
SERIES 7000 ALUMINUM SLIDING GLASS DOOR  
LARGE MISSILE IMPACT  
COMPONENTS

DRAWN: A.R.	DWG NO. 08-03375	REV A
SCALE NTS	DATE 12/13/18	SHEET 18 OF 19

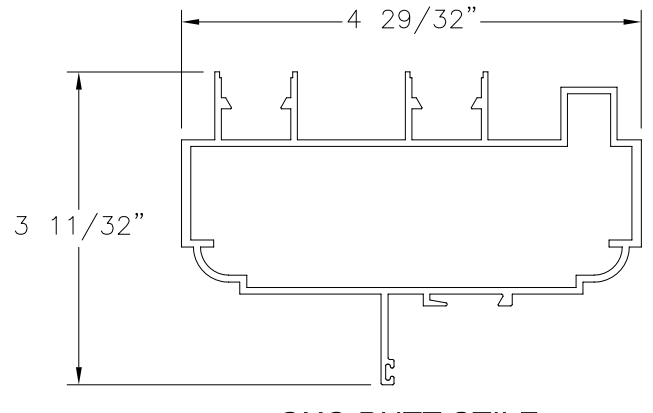
L. ROBERTO LOMAS P.E.  
208 7th Ave, INDIALANTIC, FL 32903  
434-688-0609 rllomas@rlomaspe.com

Luis R. Lomas P.E.  
FL No.: 62514

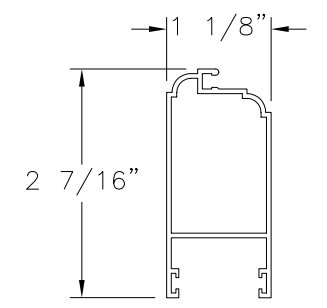
REVISIONS			
REV	DESCRIPTION	DATE	APPROVED
A	REVISED PER NEW REQUIREMENTS	12/13/23	R.L.



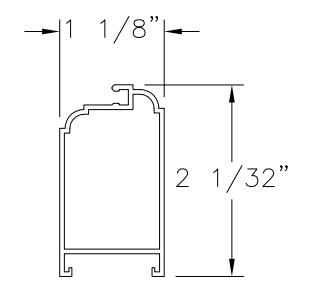
**OXXO BUTT STILE**  
ALUMINUM 6063-T6 BY SAPA (57274)



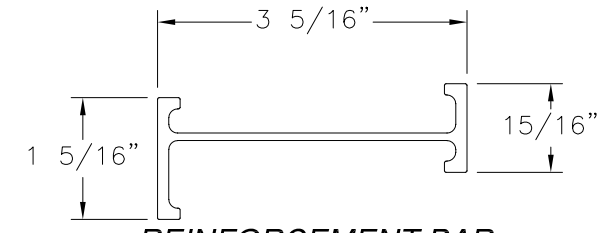
**OXO BUTT STILE**  
ALUMINUM 6063-T6 BY SAPA (57314)



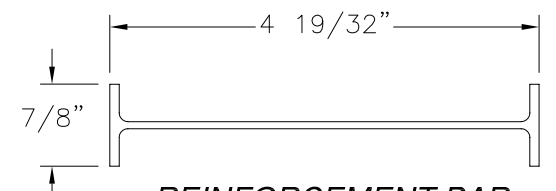
**SCREEN LOCK STILE**  
ALUMINUM 6063-T6 BY SAPA (GAH-49298)



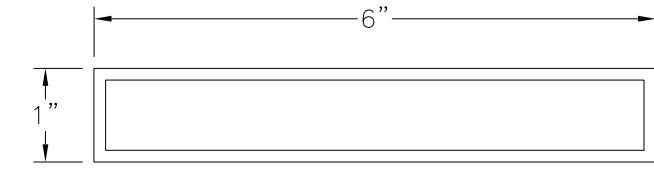
**INTERLOCK SCREEN STILE**  
ALUMINUM 6063-T6 BY SAPA (GAH-49197)



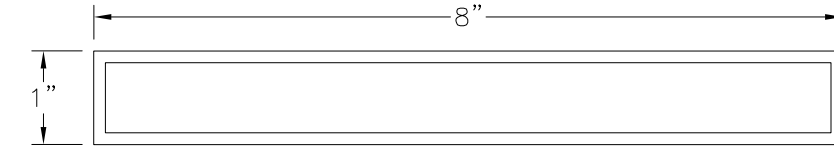
**REINFORCEMENT BAR  
OXXO BUTT STILE**  
ALUMINUM 6063-T6 BY SAPA (57282)



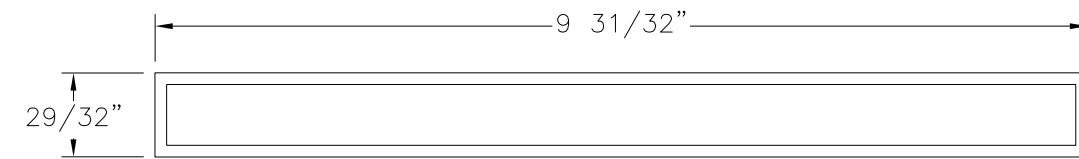
**REINFORCEMENT BAR  
OXO BUTT STILE**  
ALUMINUM 6063-T6 BY SAPA (57316)



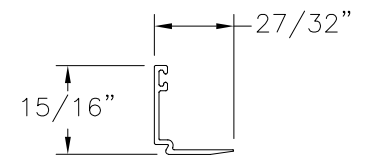
**BUILD OUT FRAME 2 TRACK**  
ALUMINUM 6063-T5 (.125" THICK)



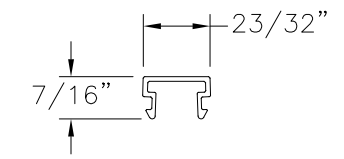
**BUILD OUT FRAME 3 TRACK**  
ALUMINUM 6063-T5 (.125" THICK)



**BUILD OUT FRAME 4 TRACK**  
ALUMINUM 6063-T5 (.125" THICK)



**GLAZING BEAD**  
ALUMINUM 6063-T6 BY SAPA (57278)



**ANCHOR COVER**  
ALUMINUM 6063-T6 BY SAPA (57398)

SIGNED: 01/03/2024

EASTERN ARCHITECTURAL SYSTEMS  
16341 DOMESTIC AVENUE  
FT. MYERS, FL 33912

SERIES 7000 ALUMINUM SLIDING GLASS DOOR  
LARGE MISSILE IMPACT  
COMPONENTS

DRAWN: A.R.	DWG NO. 08-03375	REV A
SCALE NTS	DATE 12/13/18	SHEET 19 OF 19

L. ROBERTO LOMAS P.E.  
208 7th Ave, INDIALANTIC, FL 32903  
434-688-0609 rllomas@rlomaspe.com

Luis R. Lomas P.E.  
FL No.: 62514