

REVISIONS			
REV	DESCRIPTION	DATE	APPROVED
A	REVISED PER NEW REQUIREMENTS	01/03/2024	R.L.


NOTES:

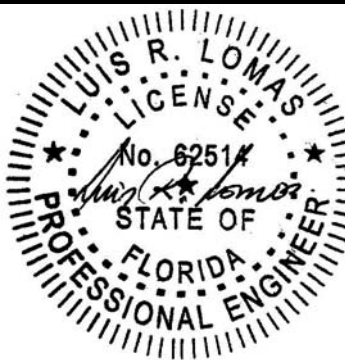
1. THE PRODUCT SHOWN HEREIN IS DESIGNED AND MANUFACTURED TO COMPLY WITH REQUIREMENTS OF THE FLORIDA BUILDING CODE AND HVHZ.
2. WOOD FRAMING, METAL STRUCTURE AND MASONRY OPENING TO BE DESIGNED AND ANCHORED TO PROPERLY TRANSFER ALL LOADS TO STRUCTURE. FRAMING AND MASONRY OPENING IS THE RESPONSIBILITY OF THE ARCHITECT OR ENGINEER OF RECORD.
3. WHERE SHIM OR BUCK THICKNESS IS LESS THAN 1-1/2" WINDOW UNITS MUST BE ANCHORED THROUGH THE FRAME IN ACCORDANCE WITH MANUFACTURER'S PUBLISHED INSTALLATION INSTRUCTIONS. ANCHORS SHALL BE SECURELY FASTENED DIRECTLY INTO MASONRY, CONCRETE OR OTHER STRUCTURAL SUBSTRATE MATERIAL.
4. WHERE WOOD BUCK THICKNESS IS 1-1/2" OR GREATER, BUCK SHALL BE SECURELY FASTENED TO MASONRY, CONCRETE OR OTHER STRUCTURAL SUBSTRATE. WINDOW UNITS MAY BE ANCHORED THROUGH FRAME TO SECURED WOOD BUCK IN ACCORDANCE WITH MANUFACTURER'S PUBLISHED INSTALLATION INSTRUCTIONS.
5. WHERE 1X BUCK IS NOT USED DISSIMILAR MATERIALS MUST BE SEPARATED WITH APPROVED COATING OR MEMBRANE. SELECTION OF COATING OR MEMBRANE IS THE RESPONSIBILITY OF THE ARCHITECT OR ENGINEER OF RECORD.
6. BUCKS SHALL EXTEND BEYOND WINDOW INTERIOR FACE SO THAT FULL FRAME SUPPORT IS PROVIDED.
7. SHIM AS REQUIRED AT EACH ANCHOR LOCATION WITH LOAD BEARING SHIM. SHIM WHERE SPACE OF 1/16" OR GREATER OCCURS. MAXIMUM ALLOWABLE SHIM STACK TO BE 1/4".
8. SHIMS SHALL BE LOCATED, APPLIED AND MADE FROM MATERIALS AND THICKNESS CAPABLE OF SUSTAINING APPLICABLE LOADS.
9. WIND LOAD DURATION FACTOR Cd=1.6 WAS USED FOR WOOD ANCHOR CALCULATIONS.
10. FRAME MATERIAL: EXTRUDED ALUMINUM 6063-T6.
11. UNITS MUST BE GLAZED PER ASTM E1300, WITH SAFETY GLAZING.
12. APPROVED IMPACT PROTECTIVE SYSTEM IS REQUIRED FOR THIS PRODUCT IN WIND BORNE DEBRIS REGIONS.

13. FOR ANCHORING THROUGH FRAME INTO WOOD FRAMING OR 2X BUCK USE #14 WOOD SCREWS WITH SUFFICIENT LENGTH TO ACHIEVE A 1 3/8" MINIMUM EMBEDMENT INTO SUBSTRATE. LOCATE ANCHORS AS SHOWN IN ELEVATIONS AND INSTALLATION DETAILS.
14. FOR ANCHORING THROUGH FRAME INTO MASONRY/CONCRETE USE 1/4" TAPCON WITH SUFFICIENT LENGTH TO ACHIEVE A 1 1/4" MINIMUM EMBEDMENT INTO SUBSTRATE WITH 2" MINIMUM EDGE DISTANCE. LOCATE ANCHORS AS SHOWN IN ELEVATIONS AND INSTALLATION DETAILS.
15. FOR ANCHORING THROUGH FRAME INTO METAL STRUCTURE USE #14 SMS OR SELF DRILLING SCREWS WITH SUFFICIENT LENGTH TO ACHIEVE 3 THREADS MINIMUM BEYOND STRUCTURE INTERIOR WALL. LOCATE ANCHORS AS SHOWN IN ELEVATIONS AND INSTALLATION DETAILS.
16. ALL FASTENERS TO BE CORROSION RESISTANT.
17. INSTALLATION ANCHORS SHALL BE INSTALLED IN ACCORDANCE WITH ANCHOR MANUFACTURER'S INSTALLATION INSTRUCTIONS AND ANCHORS SHALL NOT BE USED IN SUBSTRATES WITH STRENGTHS LESS THAN THE MINIMUM STRENGTH SPECIFIED BELOW:
  - 17.A. WOOD: MINIMUM SPECIFIC GRAVITY OF G=0.42
  - 17.B. CONCRETE: MINIMUM COMPRESSIVE STRENGTH OF 2,000 PSI.
  - 17.C. MASONRY: HOLLOW/FILLED BLOCK PER ASTM C90 WITH Fm=2,000PSI MINIMUM.
  - 17.D. METAL STRUCTURE: STEEL 18GA (.048") FY=33KSI/FU=52KSI OR ALUMINUM 6063-T5 FU=30KSI .048" THICK MINIMUM
18. APPROVED CONFIGURATIONS: OX, XO, OXO, XXO, OXX, XXX, XOO, OOX, OXXO, XXXO, OXXX, XXXX, PX, XP, OXP, PXO, PXXXX, XXXXP, PXXXXP, PXXO, OXXP, PXOO, OOXp, PXXXX, OXXXP, PXXX, XXXP, PXXP.

SIGNED: 01/03/2024

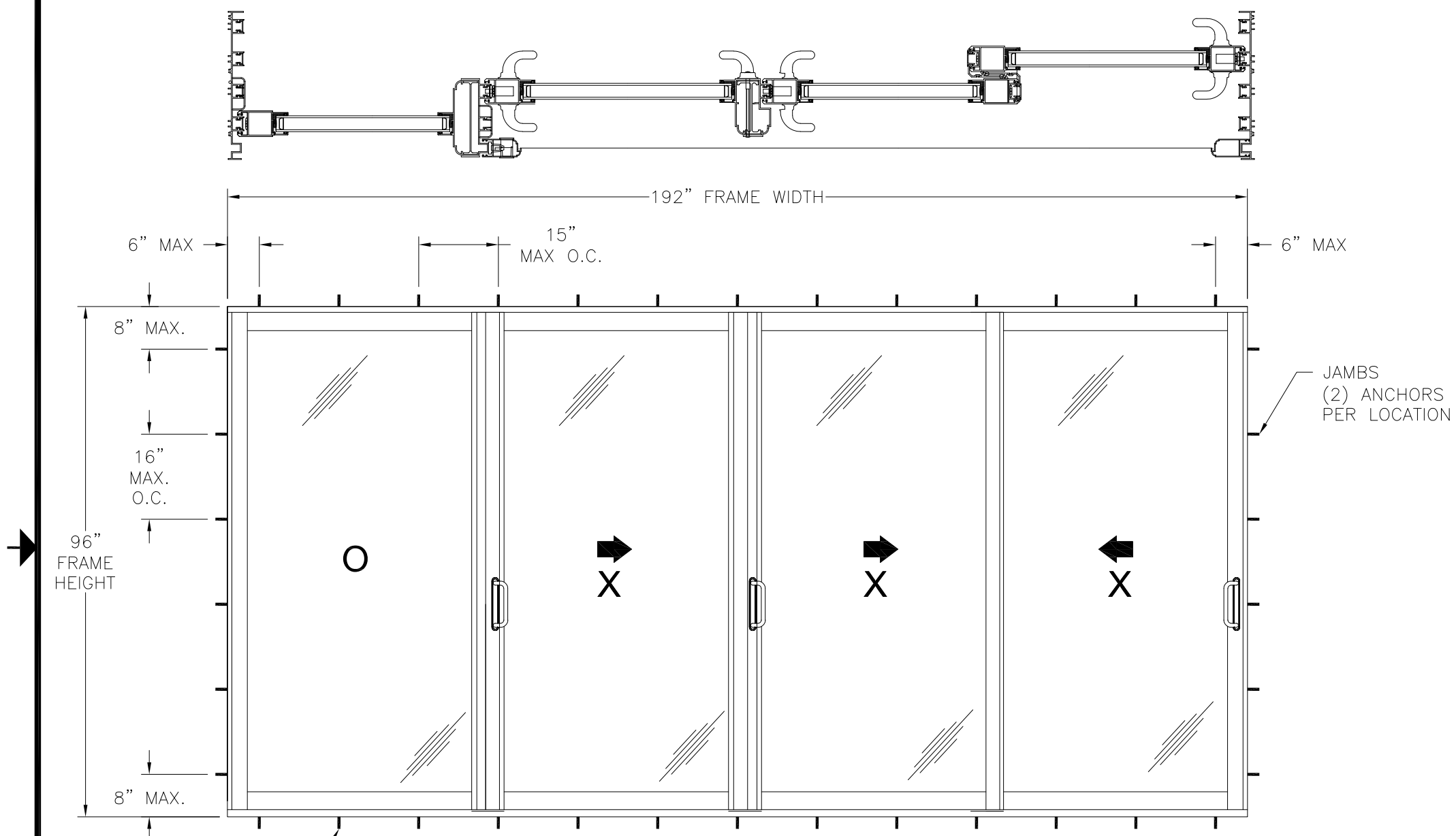
TABLE OF CONTENTS	
SHEET NO.	DESCRIPTION
1	NOTES
2 - 4	ELEVATION
5 - 17	INSTALLATION DETAILS
18 - 19	COMPONENTS

		EASTERN ARCHITECTURAL SYSTEMS A DIVISION OF EASTERN METAL SUPPLY 16341 DOMESTIC AVE FORT MYERS, FL 33912 800-432-2204	
SERIES 7000 ALUMINUM SLIDING GLASS DOOR NON-IMPACT NOTES			
DRAWN:		DWG NO.	
R.L.		08-03961	
SCALE NTS		DATE 11/01/23	SHEET 1 OF 19
L. ROBERTO LOMAS P.E. 208 7th Ave, INDIALANTIC, FL 32903 434-688-0609 rllomas@rlomaspe.com			



Luis R. Lomas P.E.  
FL No.: 62514

REVISIONS			
REV	DESCRIPTION	DATE	APPROVED
A	REVISED PER NEW REQUIREMENTS	01/03/2024	R.L.



- NOTES:
- PANEL SIZE: 49 1/4" x 94 1/4"
  - D.L.O.: 43" X 86 3/4"

JAMBS  
(2) ANCHORS  
PER LOCATION

HEAD AND SILL  
(2) ANCHORS  
PER LOCATION

**SERIES 7000 ALUMINUM SLIDING GLASS DOOR**  
EXTERIOR VIEW

DESIGN PRESSURE RATING	IMPACT RATING
±60.0PSF	NONE

SIGNED: 01/03/2024

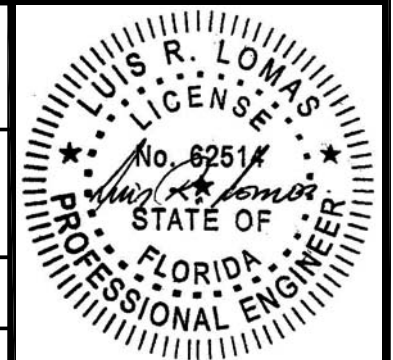
**Eastern**  
ARCHITECTURAL SYSTEMS  
ALUMINUM AND VINYL  
IMPACT WINDOWS AND DOORS

EASTERN ARCHITECTURAL SYSTEMS  
A DIVISION OF  
EASTERN METAL SUPPLY  
16341 DOMESTIC AVE  
FORT MYERS, FL 33912  
800-432-2204

SERIES 7000 ALUMINUM SLIDING GLASS DOOR  
NON-IMPACT  
ELEVATION

DRAWN: R.L.	DWG NO. 08-03961	REV A
SCALE NTS	DATE 11/01/23	SHEET 2 OF 19

L. ROBERTO LOMAS P.E.  
208 7th Ave, INDIALANTIC, FL 32903  
434-688-0609 rllomas@lrlomaspe.com

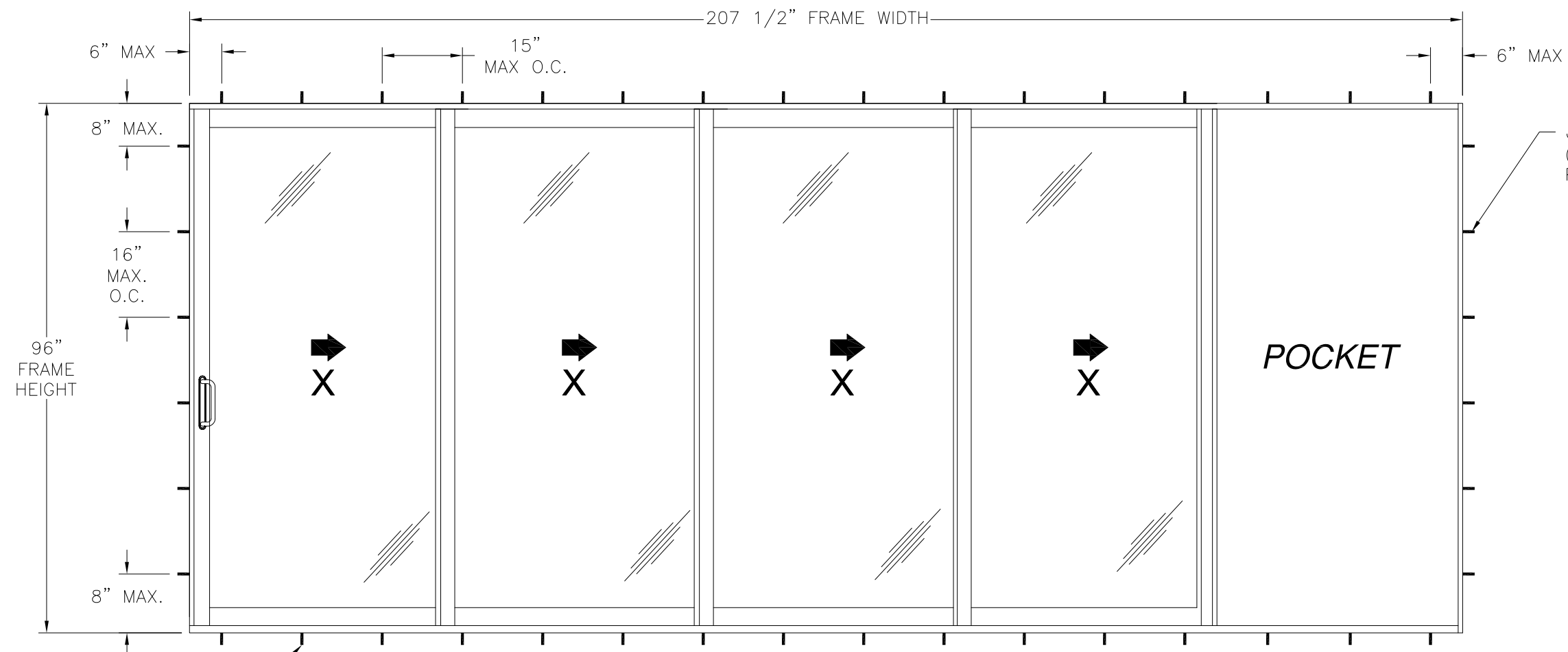
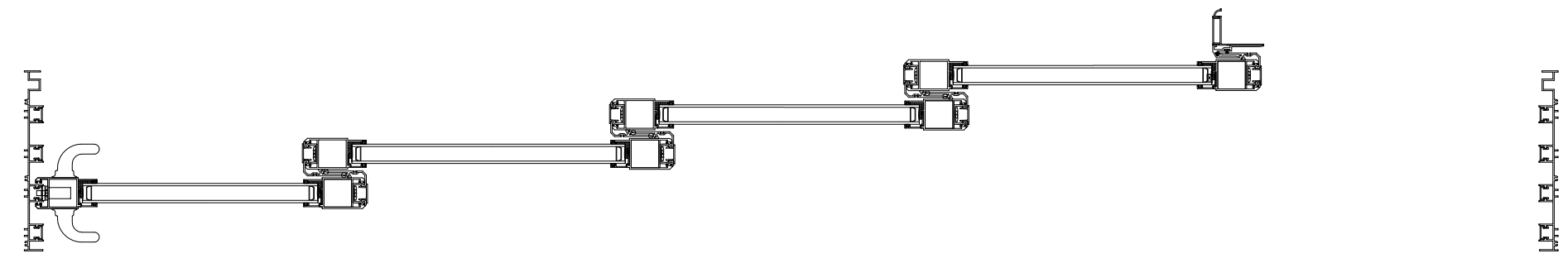


Luis R. Lomas P.E.  
FL No.: 62514

**HARDWARE SCHEDULE**

A.	LOCK HANDLE WITH KEEPER BY AMESBURY, INTERIOR AND EXTERIOR OF OPERABLE PANEL
B.	ROLLER ASSEMBLY (TA-88-PRN-166-ST-SS) BY AMESBURY, AT BOTTOM RAIL
C.	ALUMINUM REINFORCEMENT BAR (57282) FOR OXO BUTT STILE AT CENTER INTERLOCK
D.	ALUMINUM REINFORCEMENT BAR (57316) FOR OXO BUTT STILE AT INTERLOCK LEFT

REVISIONS			
REV	DESCRIPTION	DATE	APPROVED
A	REVISED PER NEW REQUIREMENTS	01/03/2024	R.L.



- NOTES:
- PANEL SIZE: 49 1/4" x 94 1/4"
  - D.L.O.: 43" X 86 3/4"

**SERIES 7000 ALUMINUM SLIDING GLASS DOOR**  
EXTERIOR VIEW

DESIGN PRESSURE RATING	IMPACT RATING
±60.0PSF	NONE

**Eastern**  
ARCHITECTURAL SYSTEMS  
ALUMINUM AND VINYL  
IMPACT WINDOWS AND DOORS

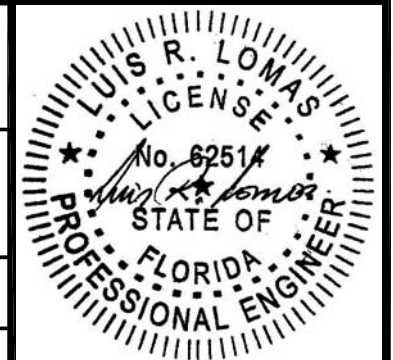
EASTERN ARCHITECTURAL SYSTEMS  
A DIVISION OF  
EASTERN METAL SUPPLY  
16341 DOMESTIC AVE  
FORT MYERS, FL 33912  
800-432-2204

SERIES 7000 ALUMINUM SLIDING GLASS DOOR  
NON-IMPACT  
ELEVATION WITH POCKET

DRAWN: R.L.	DWG NO. 08-03961	REV A
SCALE NTS	DATE 11/01/23	SHEET 3 OF 19

L. ROBERTO LOMAS P.E.  
208 7th Ave, INDIALANTIC, FL 32903  
434-688-0609 rllomas@lrlomaspe.com

SIGNED: 01/03/2024

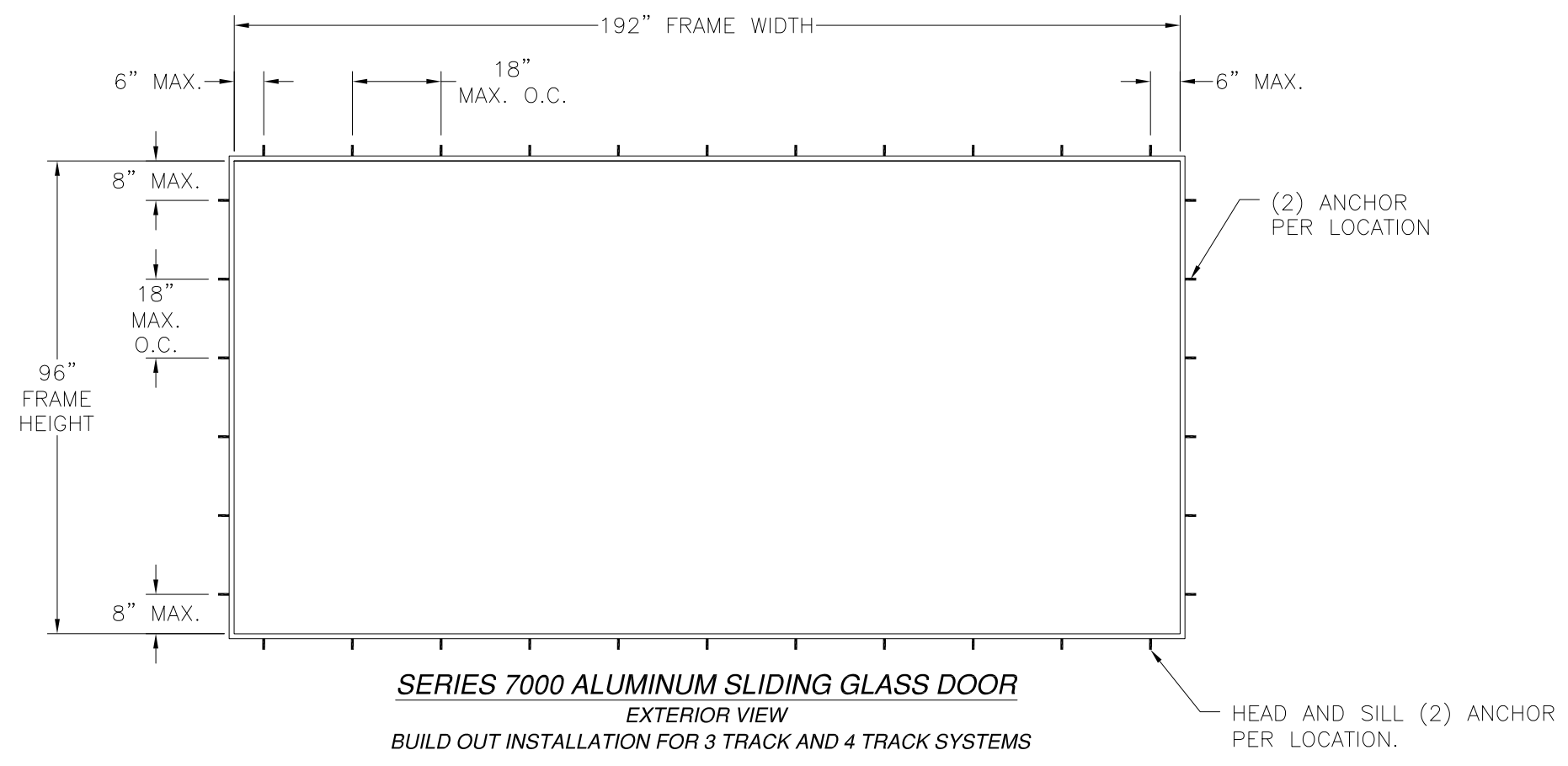
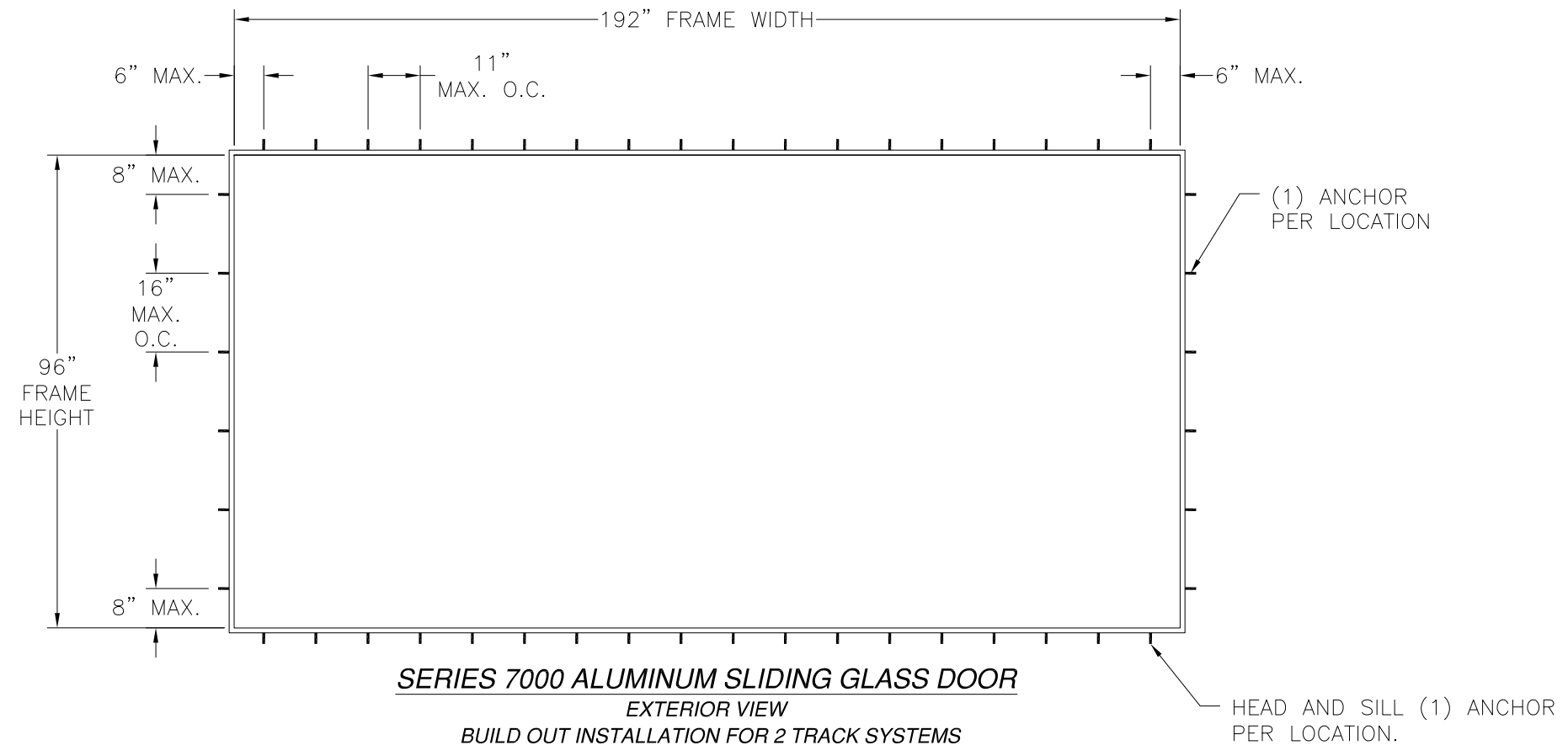



Luis R. Lomas P.E.  
FL No.: 62514

**HARDWARE SCHEDULE**

A.	LOCK HANDLE WITH KEEPER BY AMESBURY, INTERIOR AND EXTERIOR OF OPERABLE PANEL
B.	ROLLER ASSEMBLY (TA-88-PRN-166-ST-SS) BY AMESBURY, AT BOTTOM RAIL
C.	ALUMINUM REINFORCEMENT BAR (57282) FOR OXO BUTT STILE AT CENTER INTERLOCK
D.	ALUMINUM REINFORCEMENT BAR (57316) FOR OXO BUTT STILE AT INTERLOCK LEFT

REVISIONS			
REV	DESCRIPTION	DATE	APPROVED
A	REVISED PER NEW REQUIREMENTS	01/03/2024	R.L.





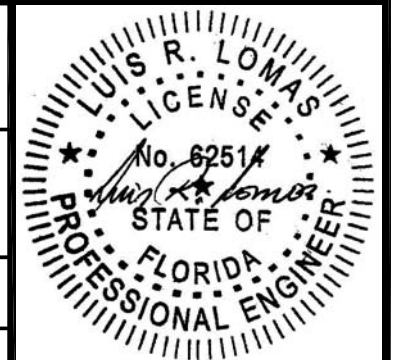
EASTERN ARCHITECTURAL SYSTEMS  
A DIVISION OF  
EASTERN METAL SUPPLY  
16341 DOMESTIC AVE  
FORT MYERS, FL 33912  
800-432-2204

**SERIES 7000 ALUMINUM SLIDING GLASS DOOR**  
NON-IMPACT  
BUILD OUT ELEVATIONS

DRAWN: R.L.	DWG NO. 08-03961	REV A
SCALE NTS	DATE 11/01/23	SHEET 4 OF 19

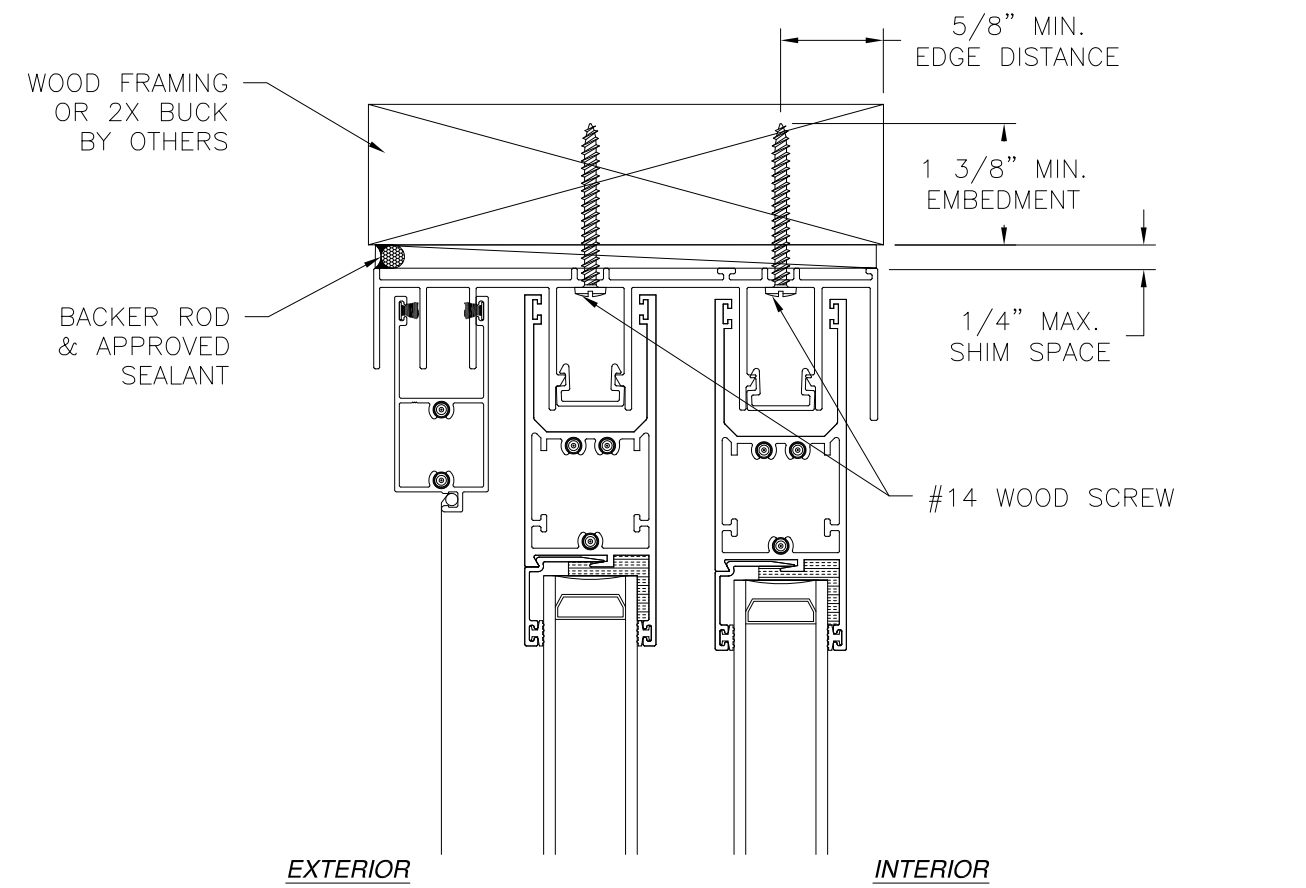
L. ROBERTO LOMAS P.E.  
 208 7th Ave, INDIALANTIC, FL 32903  
 434-688-0609 rllomas@rlomaspe.com

SIGNED: 01/03/2024



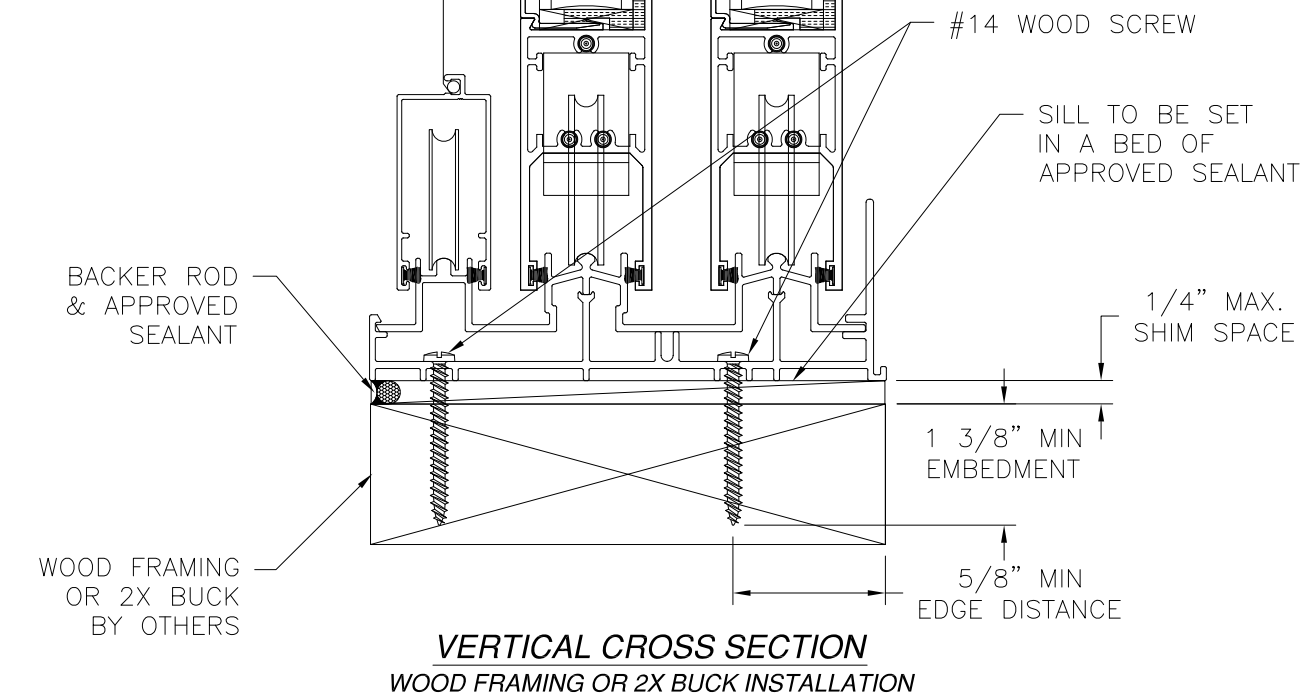
Luis R. Lomas P.E.  
FL No.: 62514

REVISIONS			
REV	DESCRIPTION	DATE	APPROVED
A	REVISED PER NEW REQUIREMENTS	01/03/2024	R.L.

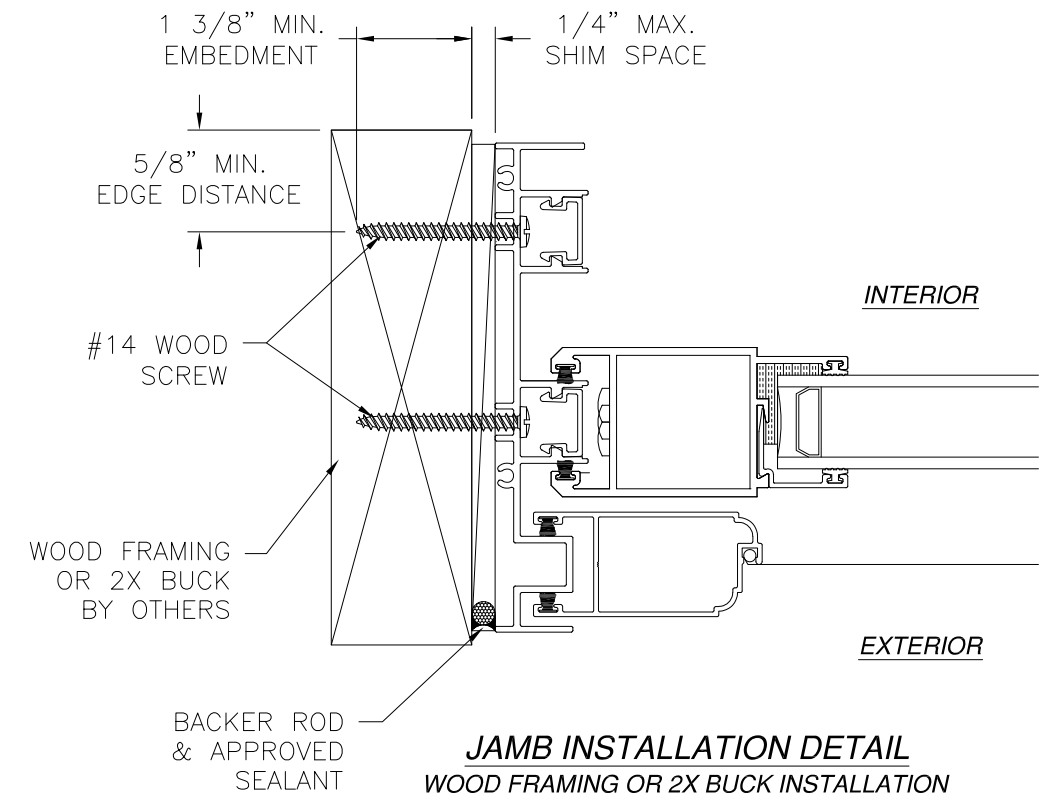


EXTERIOR

INTERIOR



**VERTICAL CROSS SECTION**  
WOOD FRAMING OR 2X BUCK INSTALLATION

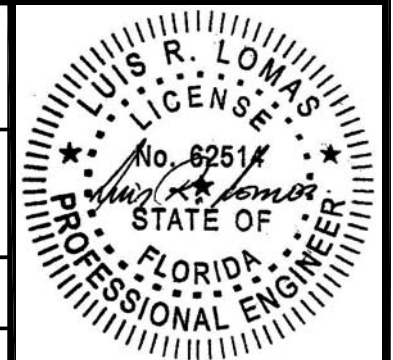


**JAMB INSTALLATION DETAIL**  
WOOD FRAMING OR 2X BUCK INSTALLATION

- NOTES:**
1. INTERIOR AND EXTERIOR FINISHES, BY OTHERS, NOT SHOWN FOR CLARITY.
  2. PERIMETER AND JOINT SEALANT BY OTHERS TO BE DESIGNED IN ACCORDANCE WITH ASTM E2112

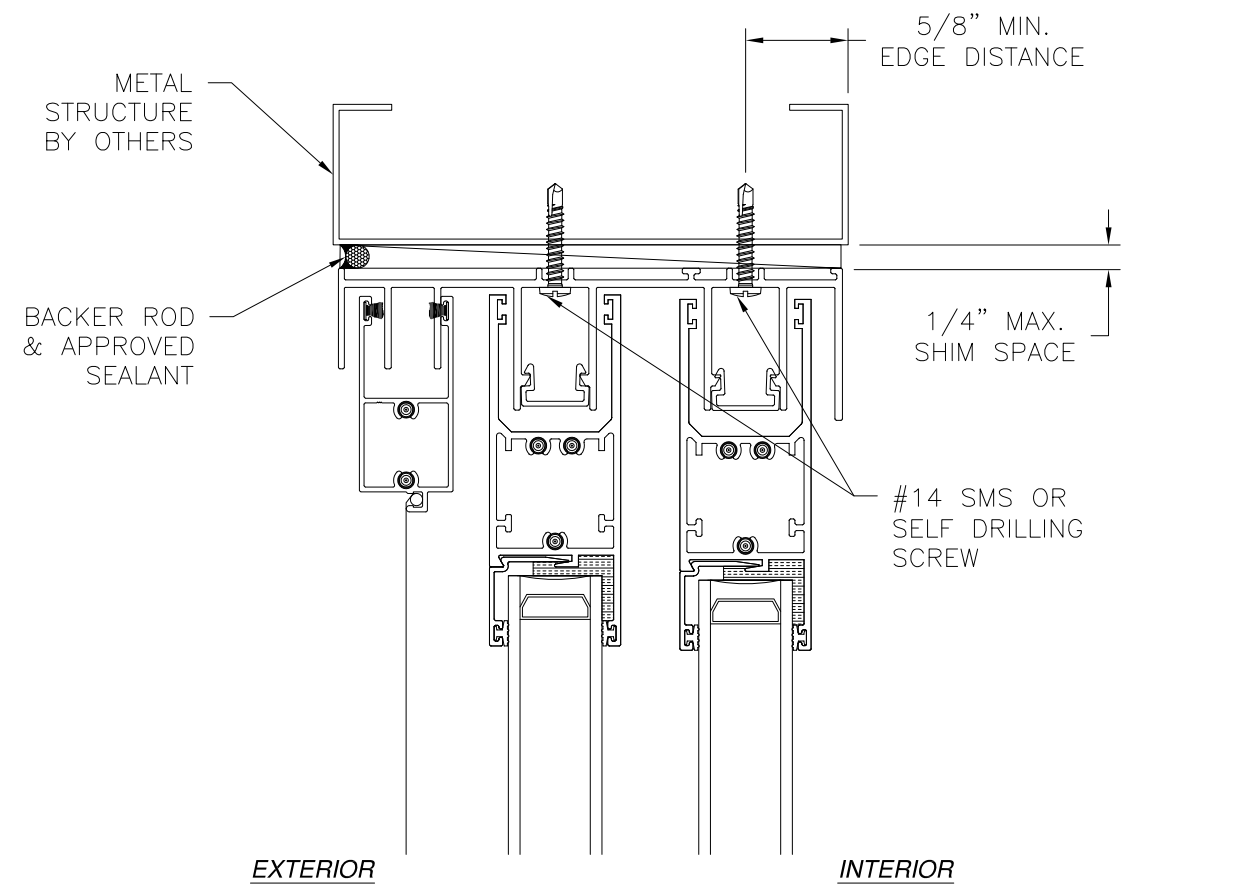
SIGNED: 01/03/2024

			EASTERN ARCHITECTURAL SYSTEMS A DIVISION OF EASTERN METAL SUPPLY 16341 DOMESTIC AVE FORT MYERS, FL 33912 800-432-2204		
<b>SERIES 7000 ALUMINUM SLIDING GLASS DOOR NON-IMPACT 2 TRACK INSTALLATION DETAILS</b>					
DRAWN: R.L.		DWG NO. 08-03961		REV A	
SCALE NTS	DATE 11/01/23	SHEET 5 OF 19			
L. ROBERTO LOMAS P.E. 208 7th Ave, INDIALANTIC, FL 32903 434-688-0609 rllomas@rlomaspe.com					

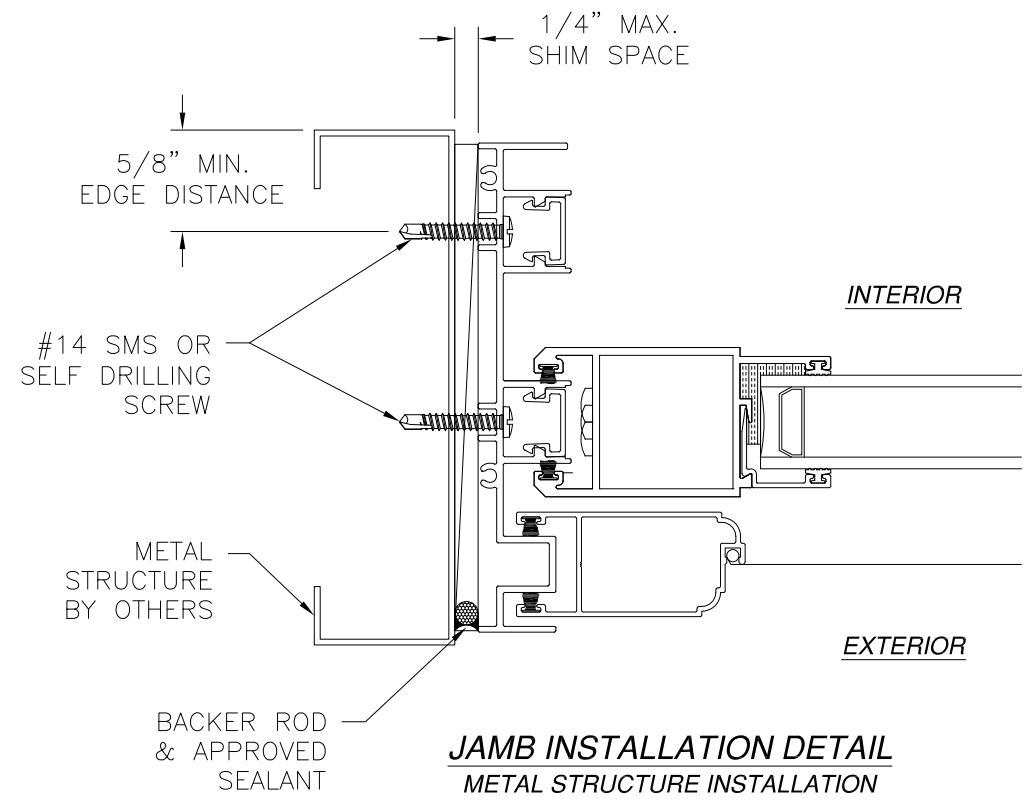


Luis R. Lomas P.E.  
FL No.: 62514

REVISIONS			
REV	DESCRIPTION	DATE	APPROVED
A	REVISED PER NEW REQUIREMENTS	01/03/2024	R.L.

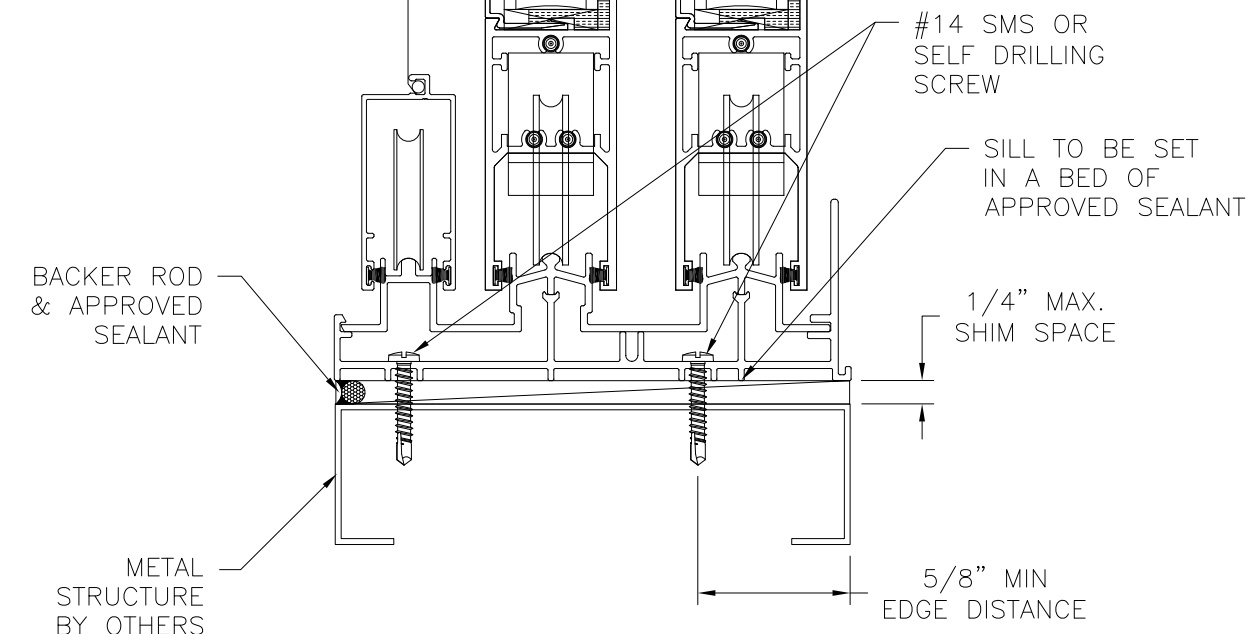


**VERTICAL CROSS SECTION**  
METAL STRUCTURE INSTALLATION



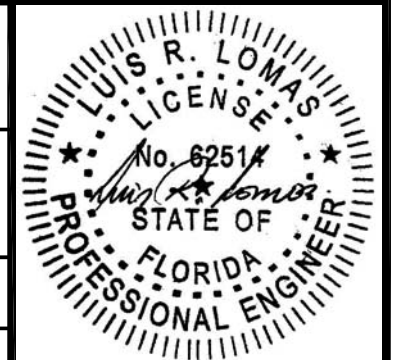
**JAMB INSTALLATION DETAIL**  
METAL STRUCTURE INSTALLATION

- NOTES:**
1. INTERIOR AND EXTERIOR FINISHES, BY OTHERS, NOT SHOWN FOR CLARITY.
  2. PERIMETER AND JOINT SEALANT BY OTHERS TO BE DESIGNED IN ACCORDANCE WITH ASTM E2112



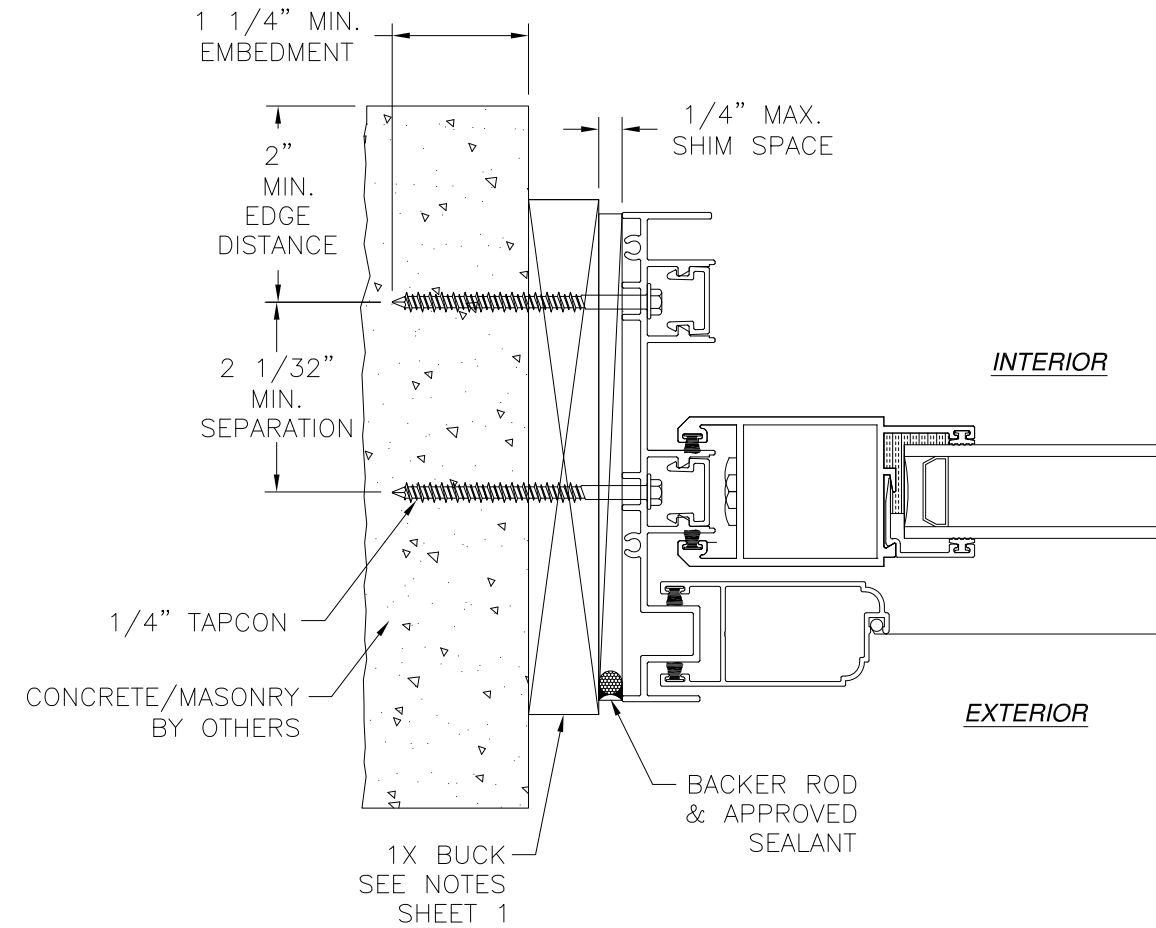
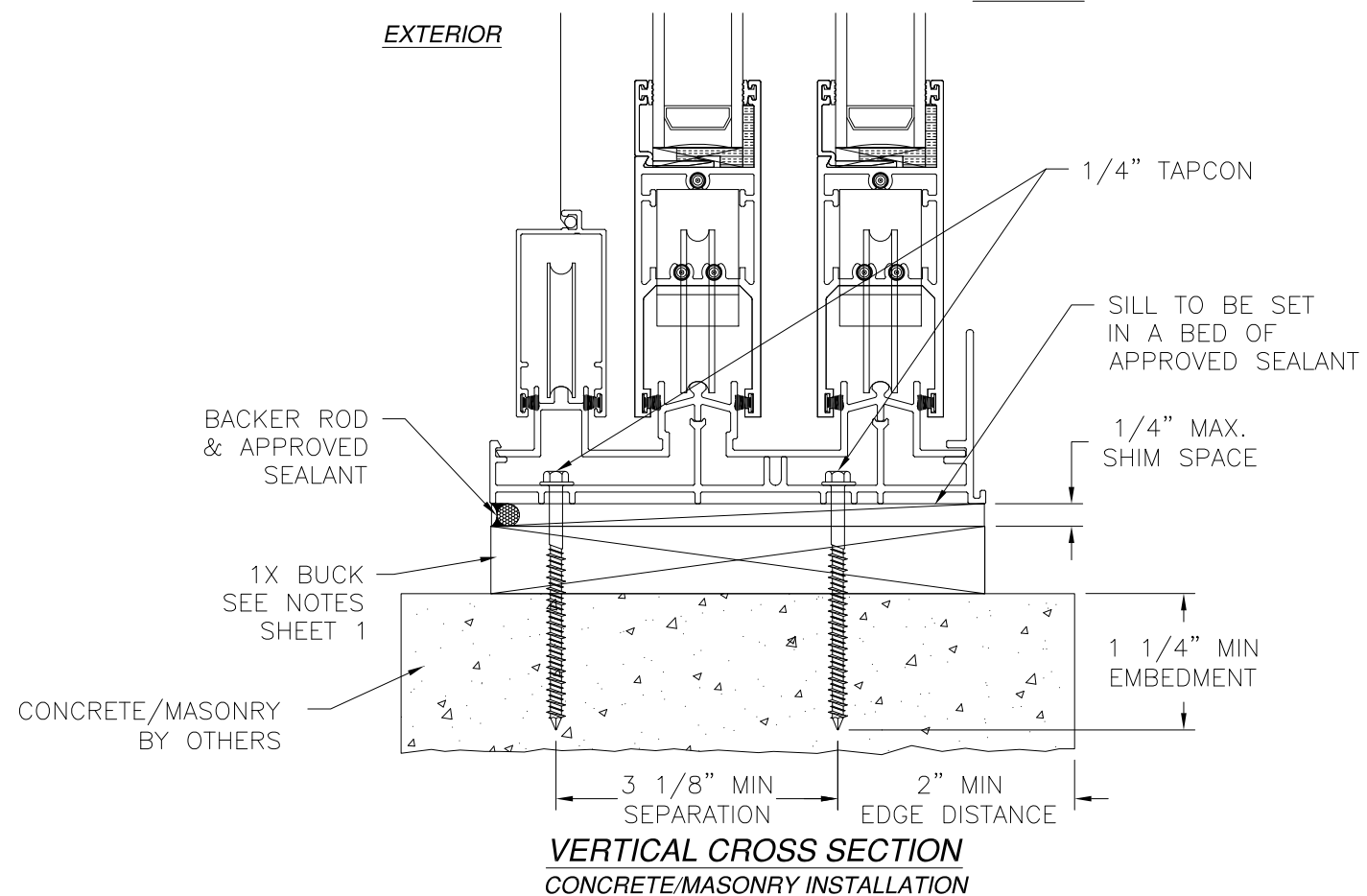
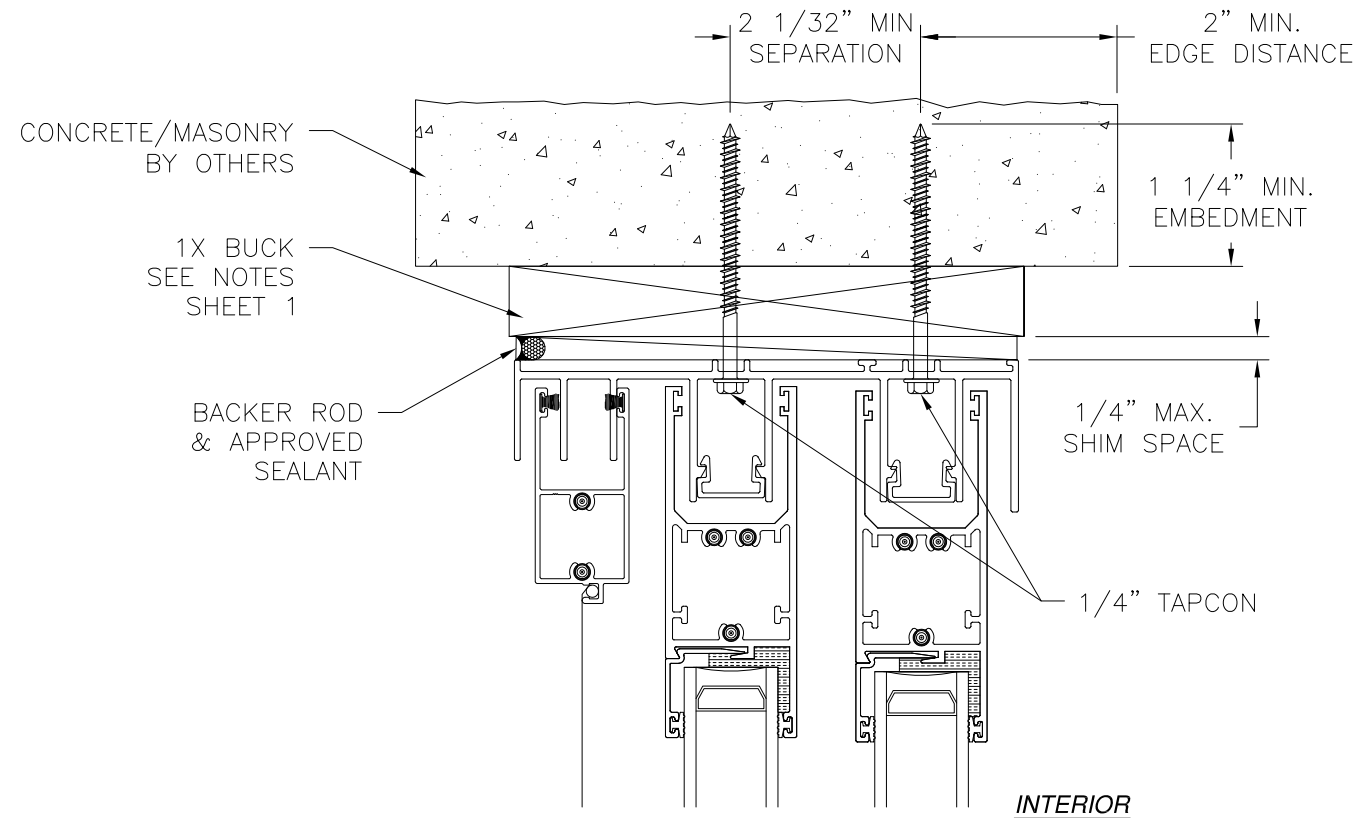
SIGNED: 01/03/2024

		EASTERN ARCHITECTURAL SYSTEMS A DIVISION OF EASTERN METAL SUPPLY 16341 DOMESTIC AVE FORT MYERS, FL 33912 800-432-2204	
<b>SERIES 7000 ALUMINUM SLIDING GLASS DOOR NON-IMPACT 2 TRACK INSTALLATION DETAILS</b>			
DRAWN: R.L.	DWG NO. 08-03961	REV A	
SCALE NTS	DATE 11/01/23	SHEET 6 OF 19	
L. ROBERTO LOMAS P.E. 208 7th Ave, INDIALANTIC, FL 32903 434-688-0609 rllomas@lrlomaspe.com			



Luis R. Lomas P.E.  
FL No.: 62514

REVISIONS			
REV	DESCRIPTION	DATE	APPROVED
A	REVISED PER NEW REQUIREMENTS	01/03/2024	R.L.

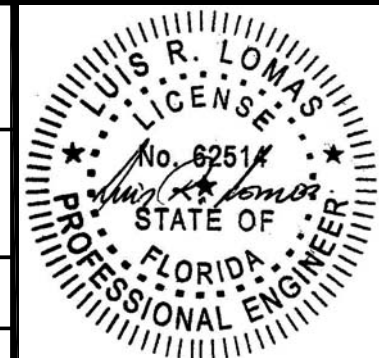


**JAMB INSTALLATION DETAIL**  
CONCRETE/MASONRY INSTALLATION

- NOTES:**
1. INTERIOR AND EXTERIOR FINISHES, BY OTHERS, NOT SHOWN FOR CLARITY.
  2. PERIMETER AND JOINT SEALANT BY OTHERS TO BE DESIGNED IN ACCORDANCE WITH ASTM E2112

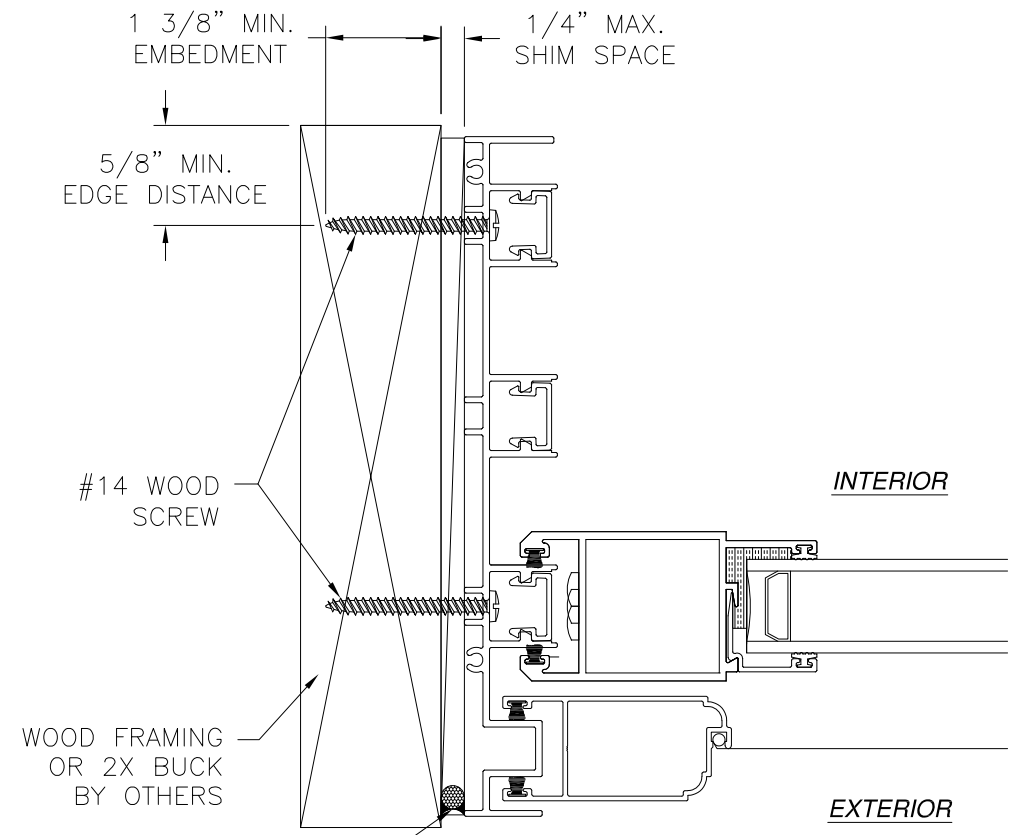
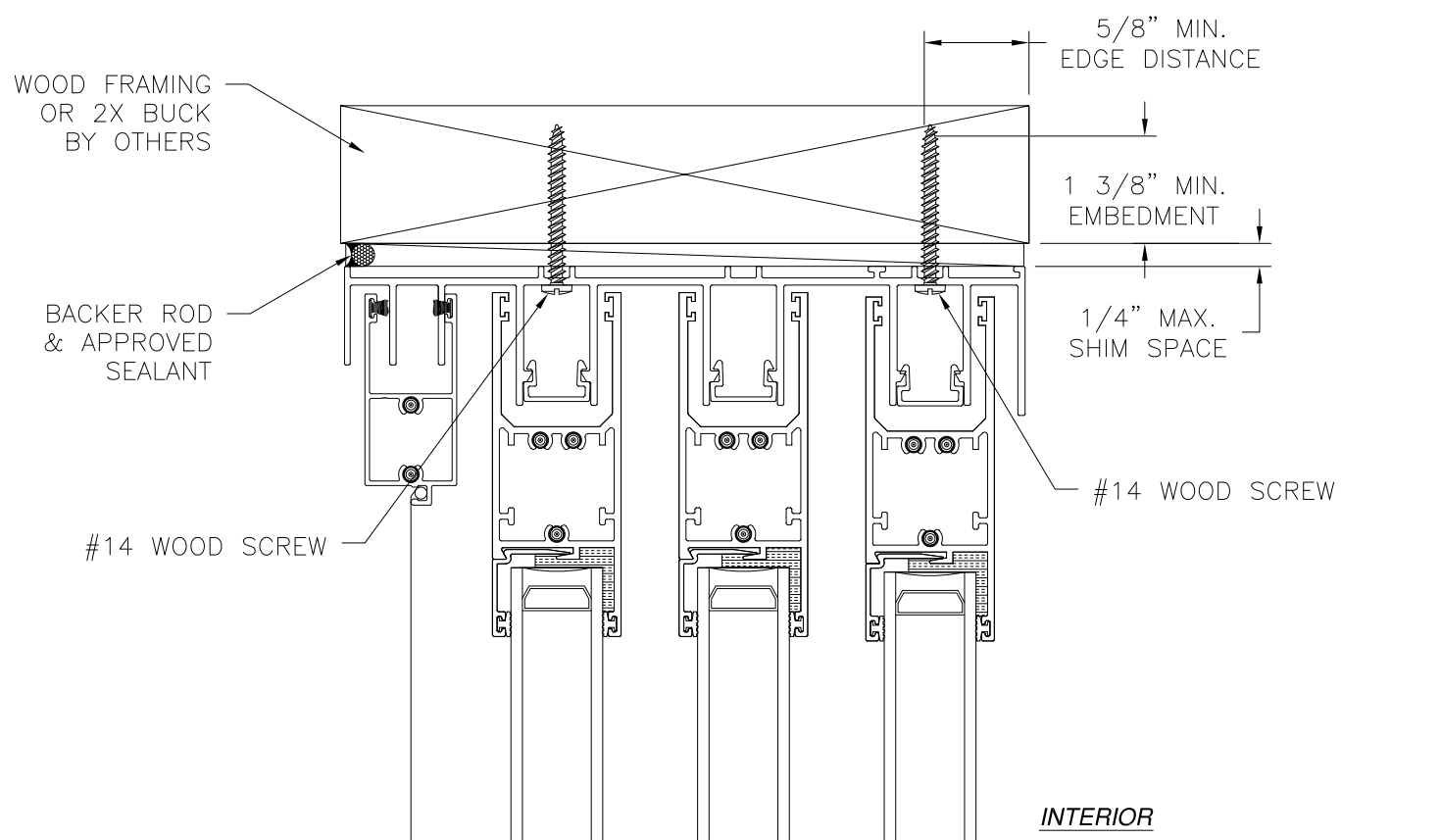
SIGNED: 01/03/2024

		EASTERN ARCHITECTURAL SYSTEMS A DIVISION OF EASTERN METAL SUPPLY 16341 DOMESTIC AVE FORT MYERS, FL 33912 800-432-2204	
<b>SERIES 7000 ALUMINUM SLIDING GLASS DOOR</b> NON-IMPACT <b>2 TRACK INSTALLATION DETAILS</b>			
DRAWN: R.L.	DWG NO. 08-03961	REV A	
SCALE NTS	DATE 11/01/23	SHEET 7 OF 19	
L. ROBERTO LOMAS P.E. 208 7th Ave, INDIALANTIC, FL 32903 434-688-0609 rllomas@lrlomaspe.com			

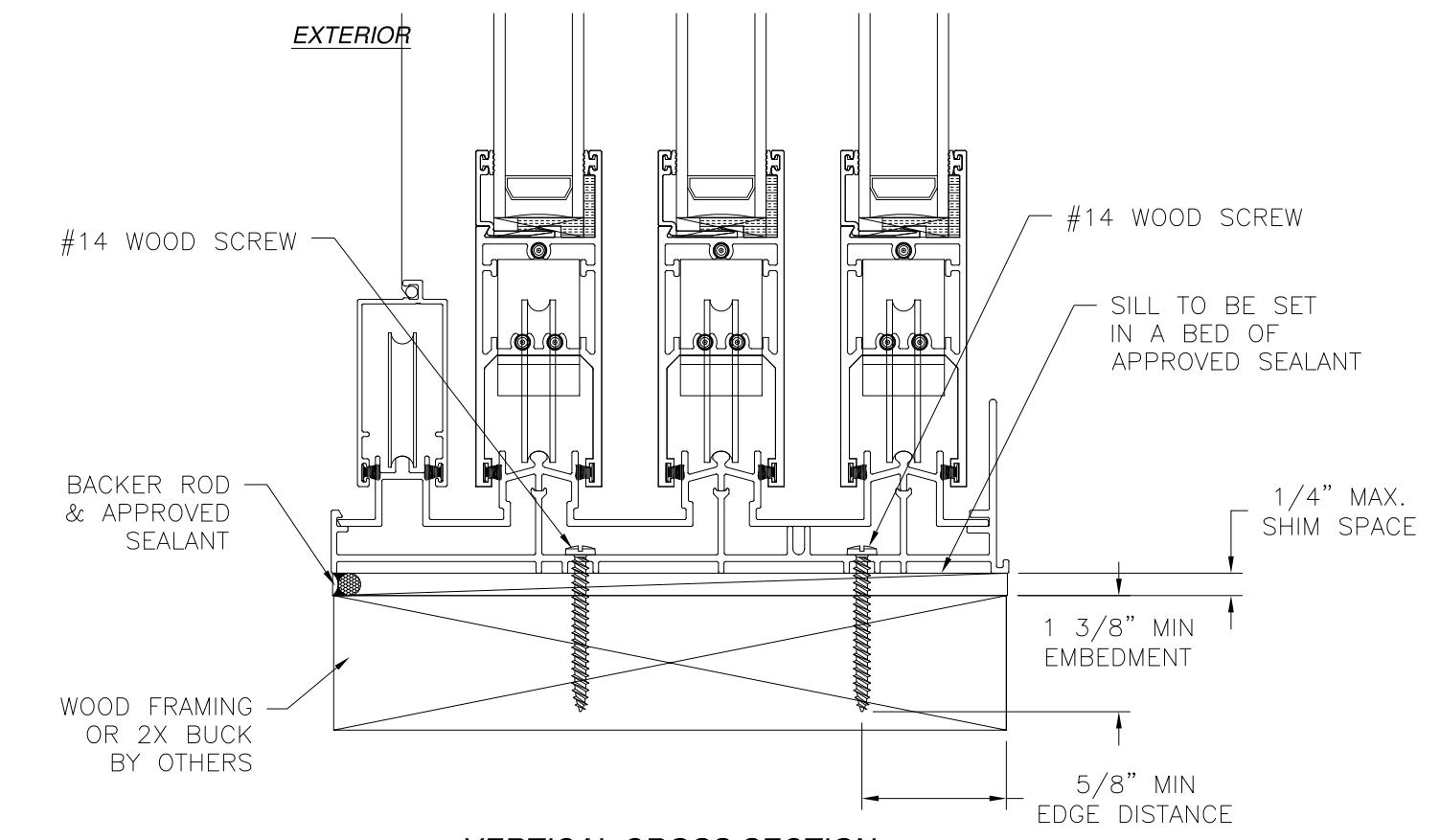


Luis R. Lomas P.E.  
FL No.: 62514

REVISIONS			
REV	DESCRIPTION	DATE	APPROVED
A	REVISED PER NEW REQUIREMENTS	01/03/2024	R.L.



**JAMB INSTALLATION DETAIL**  
WOOD FRAMING OR 2X BUCK INSTALLATION

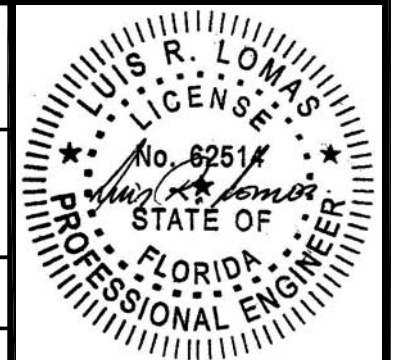


**VERTICAL CROSS SECTION**  
WOOD FRAMING OR 2X BUCK INSTALLATION

- NOTES:**
1. INTERIOR AND EXTERIOR FINISHES, BY OTHERS, NOT SHOWN FOR CLARITY.
  2. PERIMETER AND JOINT SEALANT BY OTHERS TO BE DESIGNED IN ACCORDANCE WITH ASTM E2112

SIGNED: 01/03/2024

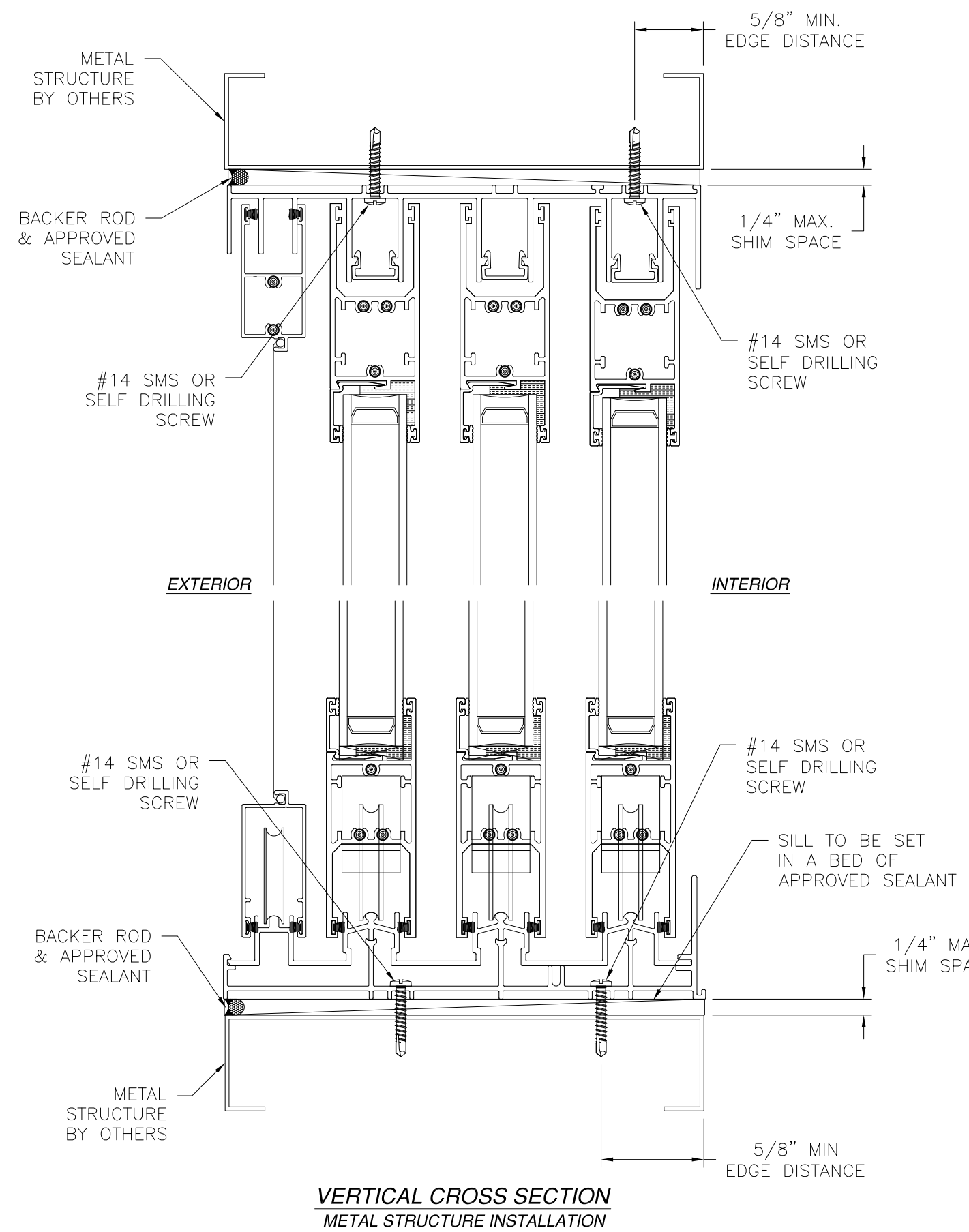
		EASTERN ARCHITECTURAL SYSTEMS A DIVISION OF EASTERN METAL SUPPLY 16341 DOMESTIC AVE FORT MYERS, FL 33912 800-432-2204	
<b>SERIES 7000 ALUMINUM SLIDING GLASS DOOR NON-IMPACT 3 TRACK INSTALLATION DETAILS</b>			
DRAWN: R.L.	DWG NO. 08-03961	REV A	
SCALE NTS	DATE 11/01/23	SHEET 8 OF 19	
L. ROBERTO LOMAS P.E. 208 7th Ave, INDIALANTIC, FL 32903 434-688-0609 rllomas@lrlomaspe.com			



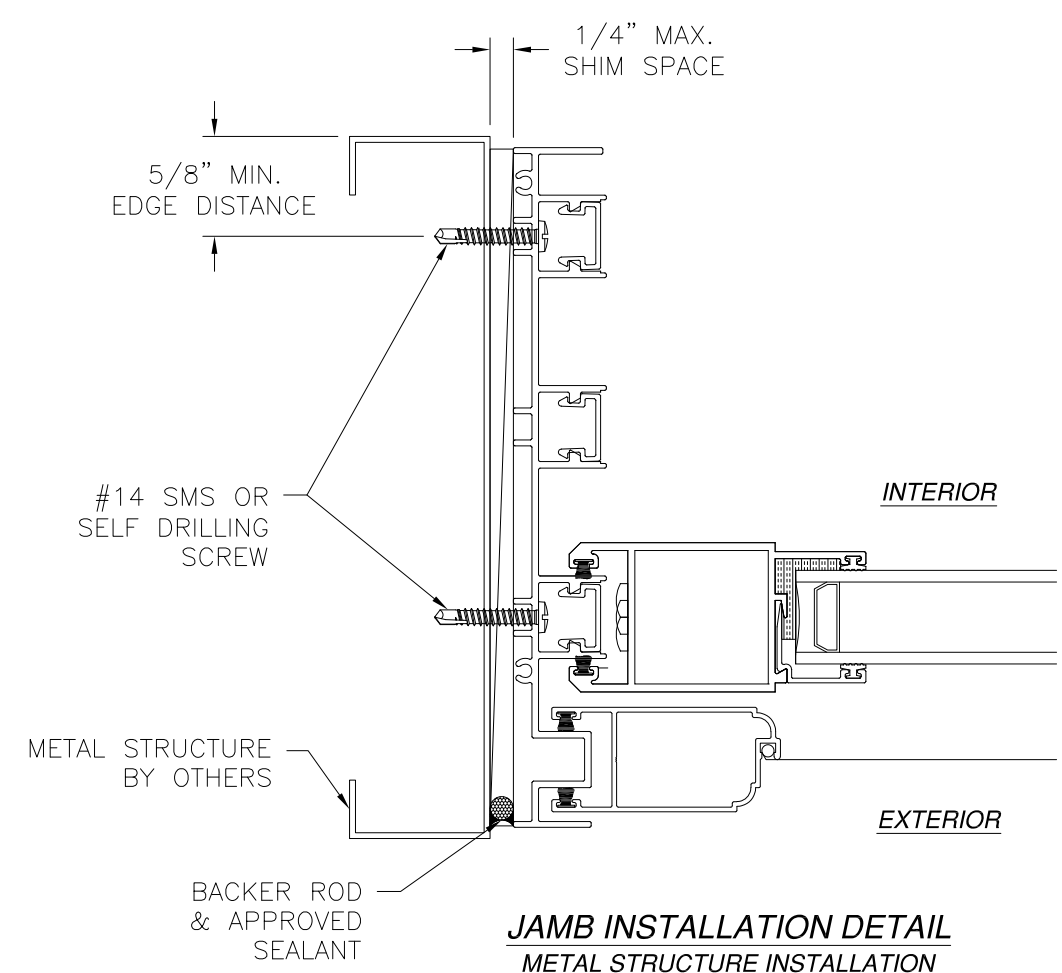
Luis R. Lomas P.E.  
FL No.: 62514



REVISIONS			
REV	DESCRIPTION	DATE	APPROVED
A	REVISED PER NEW REQUIREMENTS	01/03/2024	R.L.



**VERTICAL CROSS SECTION**  
METAL STRUCTURE INSTALLATION

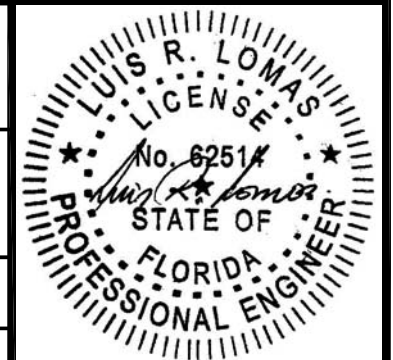


**JAMB INSTALLATION DETAIL**  
METAL STRUCTURE INSTALLATION

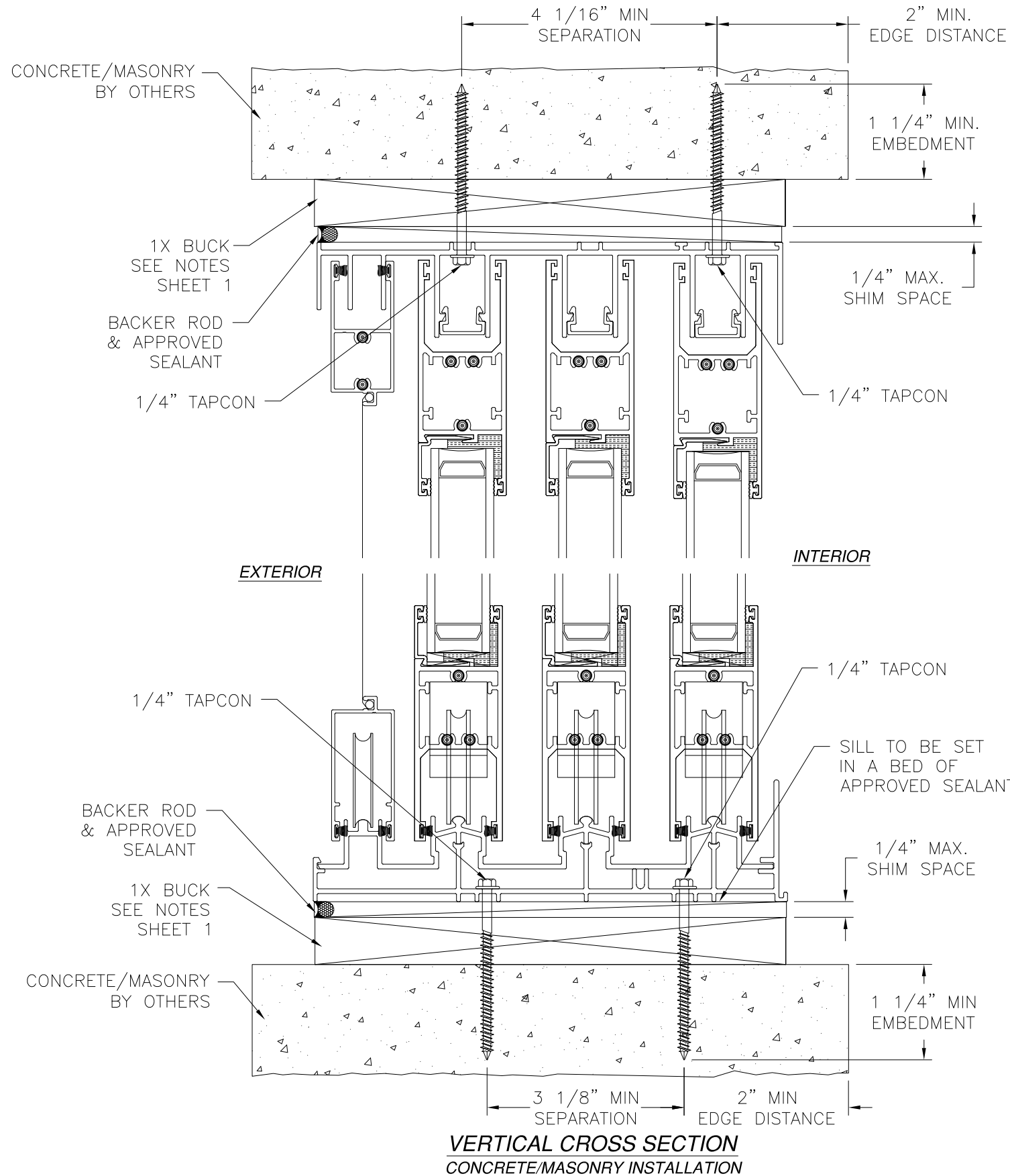
- NOTES:**
1. INTERIOR AND EXTERIOR FINISHES, BY OTHERS, NOT SHOWN FOR CLARITY.
  2. PERIMETER AND JOINT SEALANT BY OTHERS TO BE DESIGNED IN ACCORDANCE WITH ASTM E2112

SIGNED: 01/03/2024

		EASTERN ARCHITECTURAL SYSTEMS A DIVISION OF EASTERN METAL SUPPLY 16341 DOMESTIC AVE FORT MYERS, FL 33912 800-432-2204	
SERIES 7000 ALUMINUM SLIDING GLASS DOOR NON-IMPACT 3 TRACK INSTALLATION DETAILS			
DRAWN: R.L.	DWG NO. 08-03961	REV A	
SCALE NTS	DATE 11/01/23	SHEET 9 OF 19	
L. ROBERTO LOMAS P.E. 208 7th Ave, INDIALANTIC, FL 32903 434-688-0609 rllomas@lrlomaspe.com			

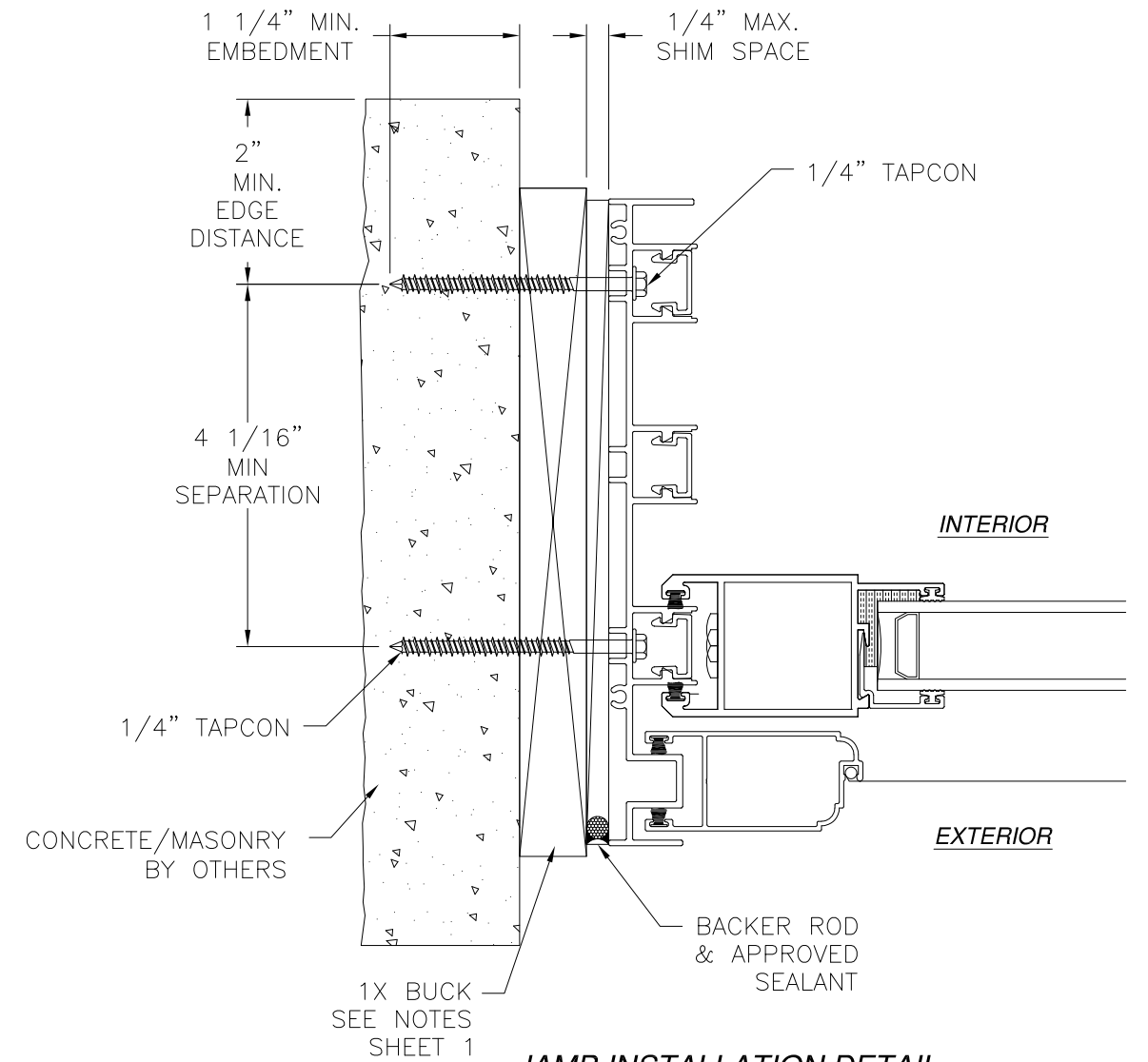


Luis R. Lomas P.E.  
FL No.: 62514



**VERTICAL CROSS SECTION  
CONCRETE/MASONRY INSTALLATION**

REVISIONS			
REV	DESCRIPTION	DATE	APPROVED
A	REVISED PER NEW REQUIREMENTS	01/03/2024	R.L.



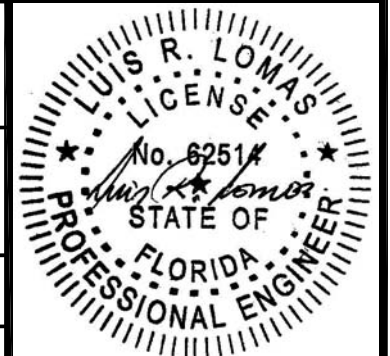
**JAMB INSTALLATION DETAIL  
CONCRETE/MASONRY INSTALLATION**

**NOTES:**

1. INTERIOR AND EXTERIOR FINISHES, BY OTHERS, NOT SHOWN FOR CLARITY.
2. PERIMETER AND JOINT SEALANT BY OTHERS TO BE DESIGNED IN ACCORDANCE WITH ASTM E2112

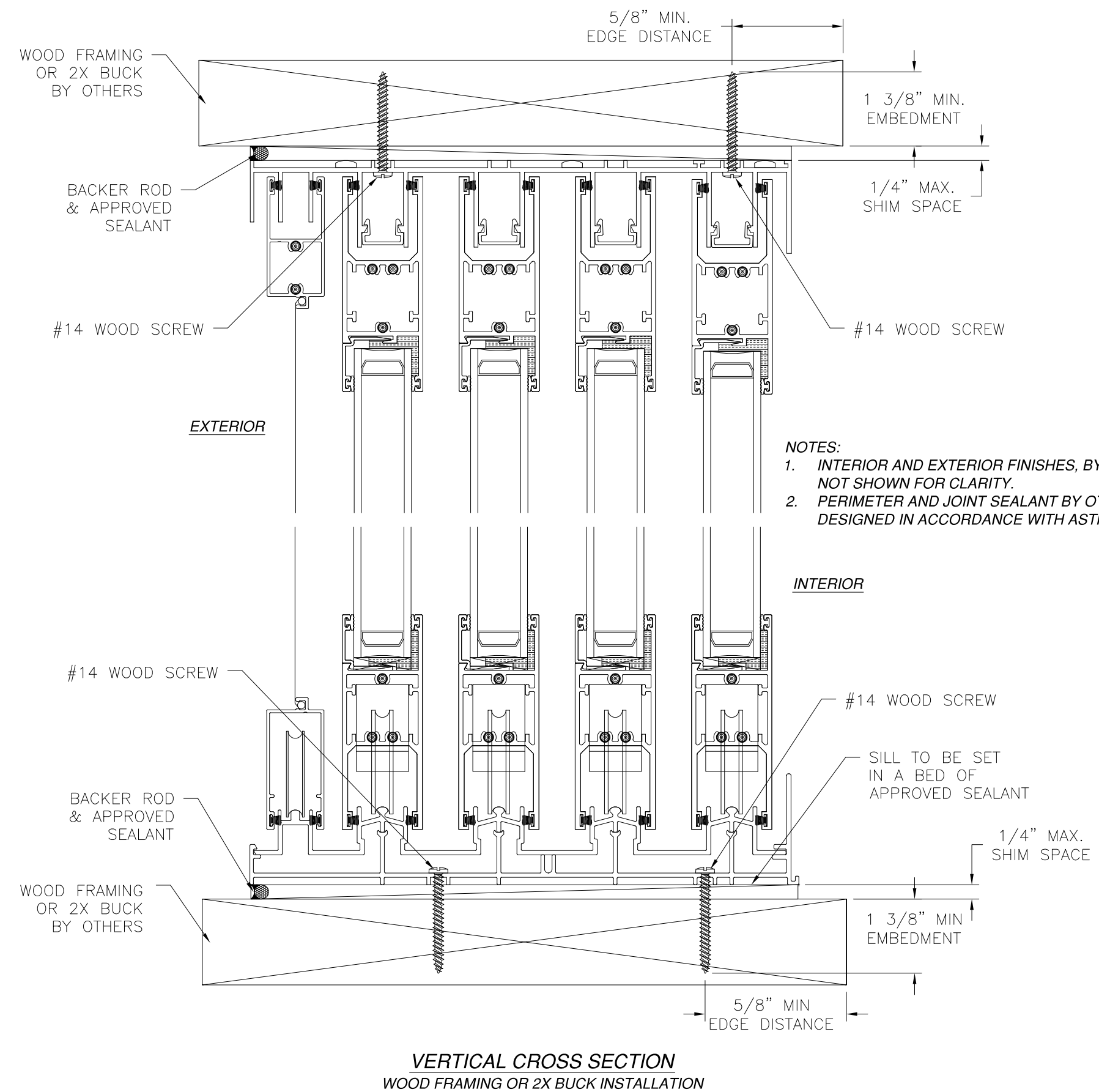
SIGNED: 01/03/2024

		EASTERN ARCHITECTURAL SYSTEMS A DIVISION OF EASTERN METAL SUPPLY 16341 DOMESTIC AVE FORT MYERS, FL 33912 800-432-2204	
<b>SERIES 7000 ALUMINUM SLIDING GLASS DOOR NON-IMPACT 3 TRACK INSTALLATION DETAILS</b>			
DRAWN: R.L.	DWG NO. 08-03961	REV A	
SCALE NTS	DATE 11/01/23	SHEET 10 OF 19	
L. ROBERTO LOMAS P.E. 208 7th Ave, INDIALANTIC, FL 32903 434-688-0609 rllomas@lrlomaspe.com			



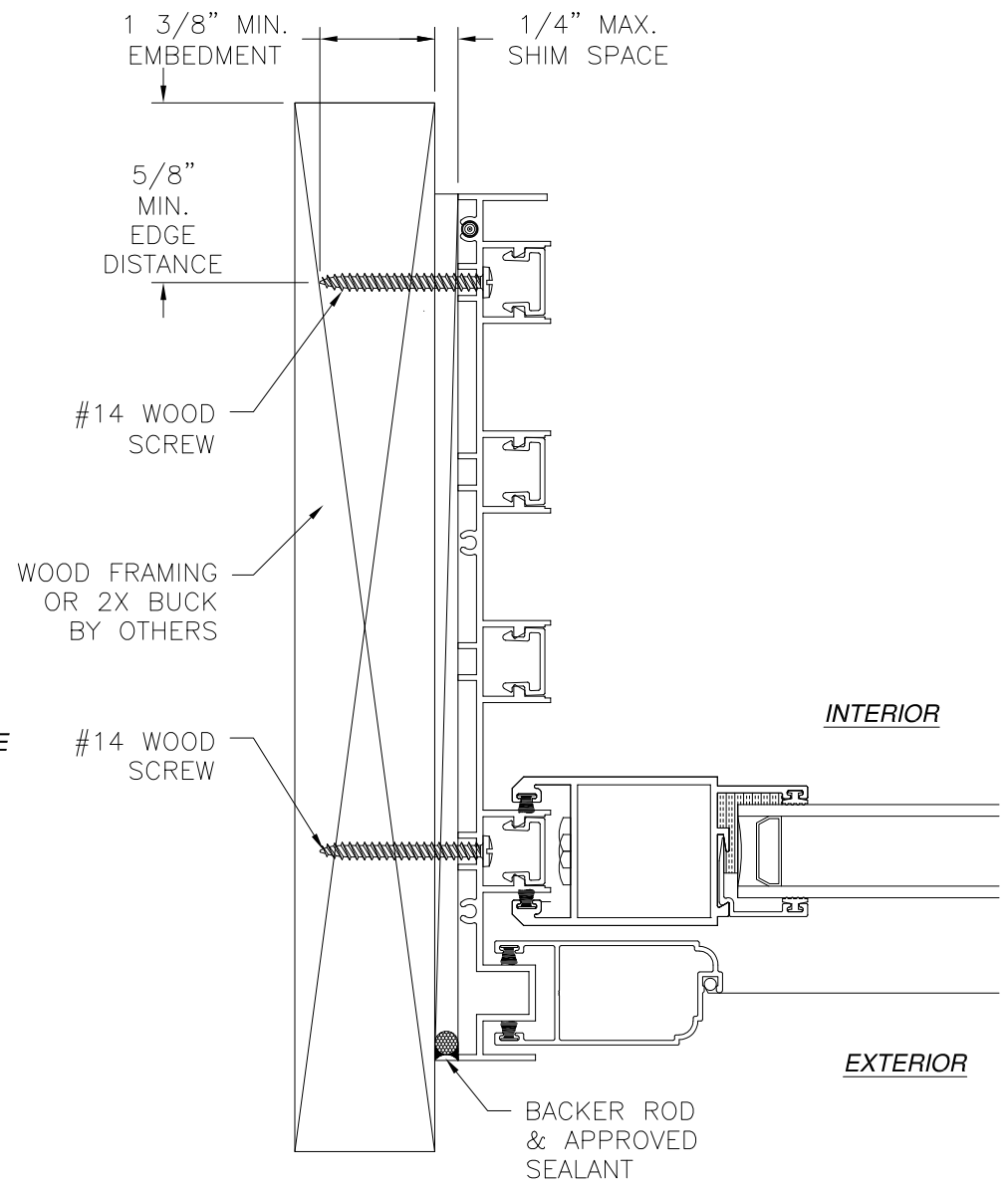
Luis R. Lomas P.E.  
FL No.: 62514

REVISIONS			
REV	DESCRIPTION	DATE	APPROVED
A	REVISED PER NEW REQUIREMENTS	01/03/2024	R.L.



**VERTICAL CROSS SECTION**  
WOOD FRAMING OR 2X BUCK INSTALLATION

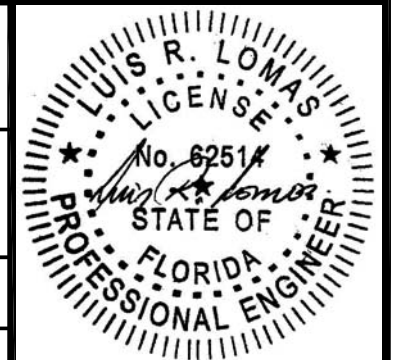
- NOTES:**
1. INTERIOR AND EXTERIOR FINISHES, BY OTHERS, NOT SHOWN FOR CLARITY.
  2. PERIMETER AND JOINT SEALANT BY OTHERS TO BE DESIGNED IN ACCORDANCE WITH ASTM E2112



**JAMB INSTALLATION DETAIL**  
WOOD FRAMING OR 2X BUCK INSTALLATION

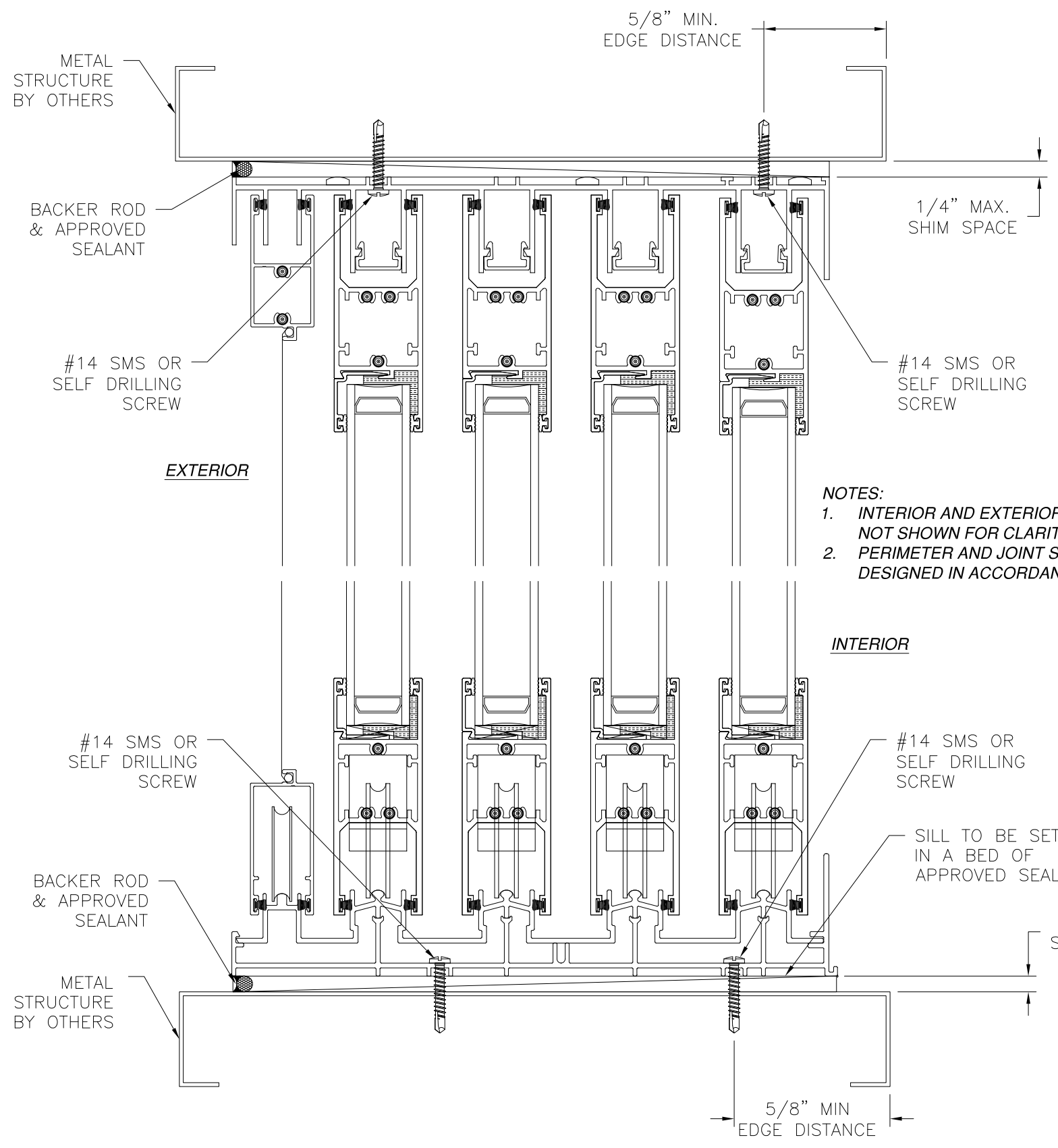
SIGNED: 01/03/2024

 <p><b>Eastern</b> ARCHITECTURAL SYSTEMS ALUMINUM AND VINYL IMPACT WINDOWS AND DOORS</p>			<p>EASTERN ARCHITECTURAL SYSTEMS A DIVISION OF EASTERN METAL SUPPLY 16341 DOMESTIC AVE FORT MYERS, FL 33912 800-432-2204</p>		
<p>SERIES 7000 ALUMINUM SLIDING GLASS DOOR NON-IMPACT 4 TRACK INSTALLATION DETAILS</p>					
DRAWN: R.L.		DWG NO. 08-03961		REV A	
SCALE NTS		DATE 11/01/23		SHEET 11 OF 19	
<p>L. ROBERTO LOMAS P.E. 208 7th Ave, INDIALANTIC, FL 32903 434-688-0609 rllomas@rlomaspe.com</p>					



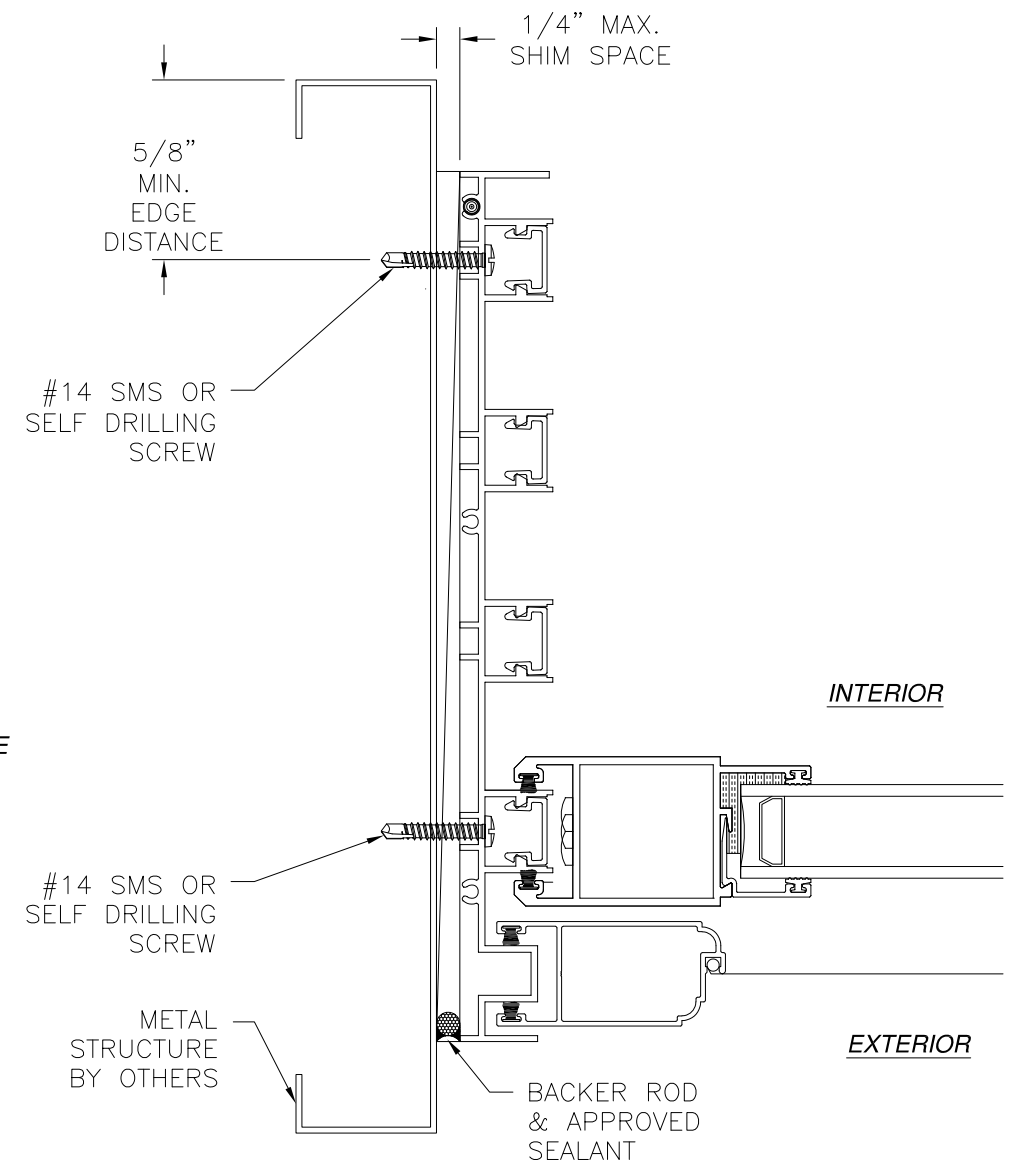
Luis R. Lomas P.E.  
FL No.: 62514

REVISIONS			
REV	DESCRIPTION	DATE	APPROVED
A	REVISED PER NEW REQUIREMENTS	01/03/2024	R.L.




**VERTICAL CROSS SECTION**  
METAL STRUCTURE INSTALLATION

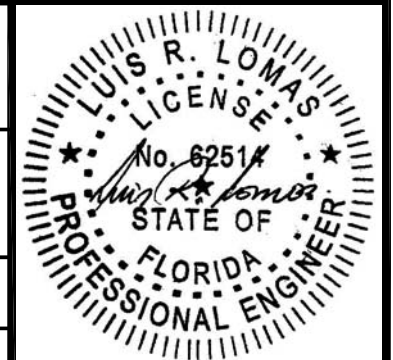
- NOTES:**
1. INTERIOR AND EXTERIOR FINISHES, BY OTHERS, NOT SHOWN FOR CLARITY.
  2. PERIMETER AND JOINT SEALANT BY OTHERS TO BE DESIGNED IN ACCORDANCE WITH ASTM E2112



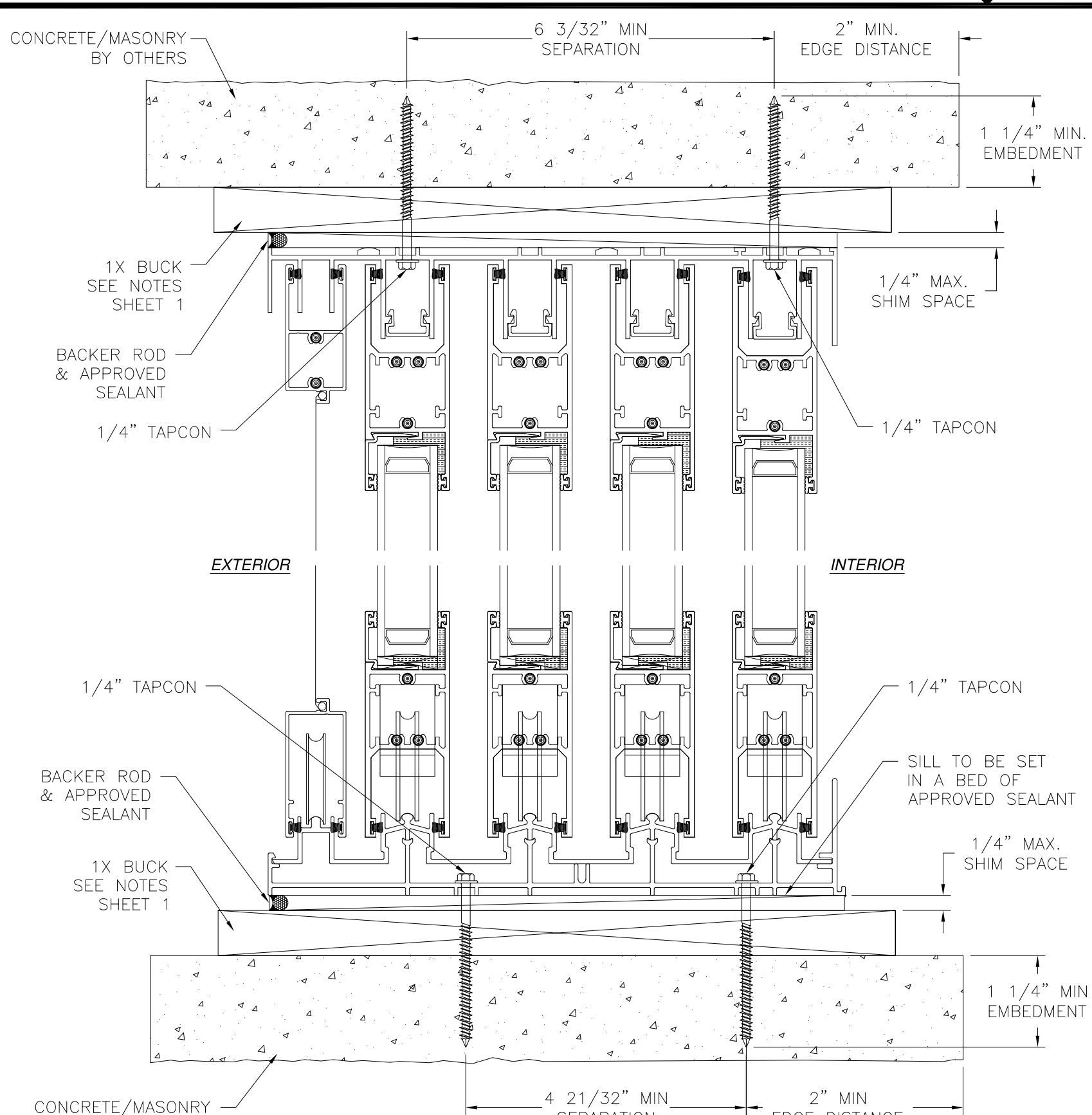
**JAMB INSTALLATION DETAIL**  
METAL STRUCTURE INSTALLATION

 <b>Eastern</b> ARCHITECTURAL SYSTEMS ALUMINUM AND VINYL IMPACT WINDOWS AND DOORS			EASTERN ARCHITECTURAL SYSTEMS A DIVISION OF EASTERN METAL SUPPLY 16341 DOMESTIC AVE FORT MYERS, FL 33912 800-432-2204		
<b>SERIES 7000 ALUMINUM SLIDING GLASS DOOR          NON-IMPACT          4 TRACK INSTALLATION DETAILS</b>					
DRAWN: R.L.		DWG NO. 08-03961		REV A	
SCALE NTS		DATE 11/01/23		SHEET 12 OF 19	
L. ROBERTO LOMAS P.E. 208 7th Ave, INDIALANTIC, FL 32903 434-688-0609 rllomas@lrlomaspe.com					

SIGNED: 01/03/2024



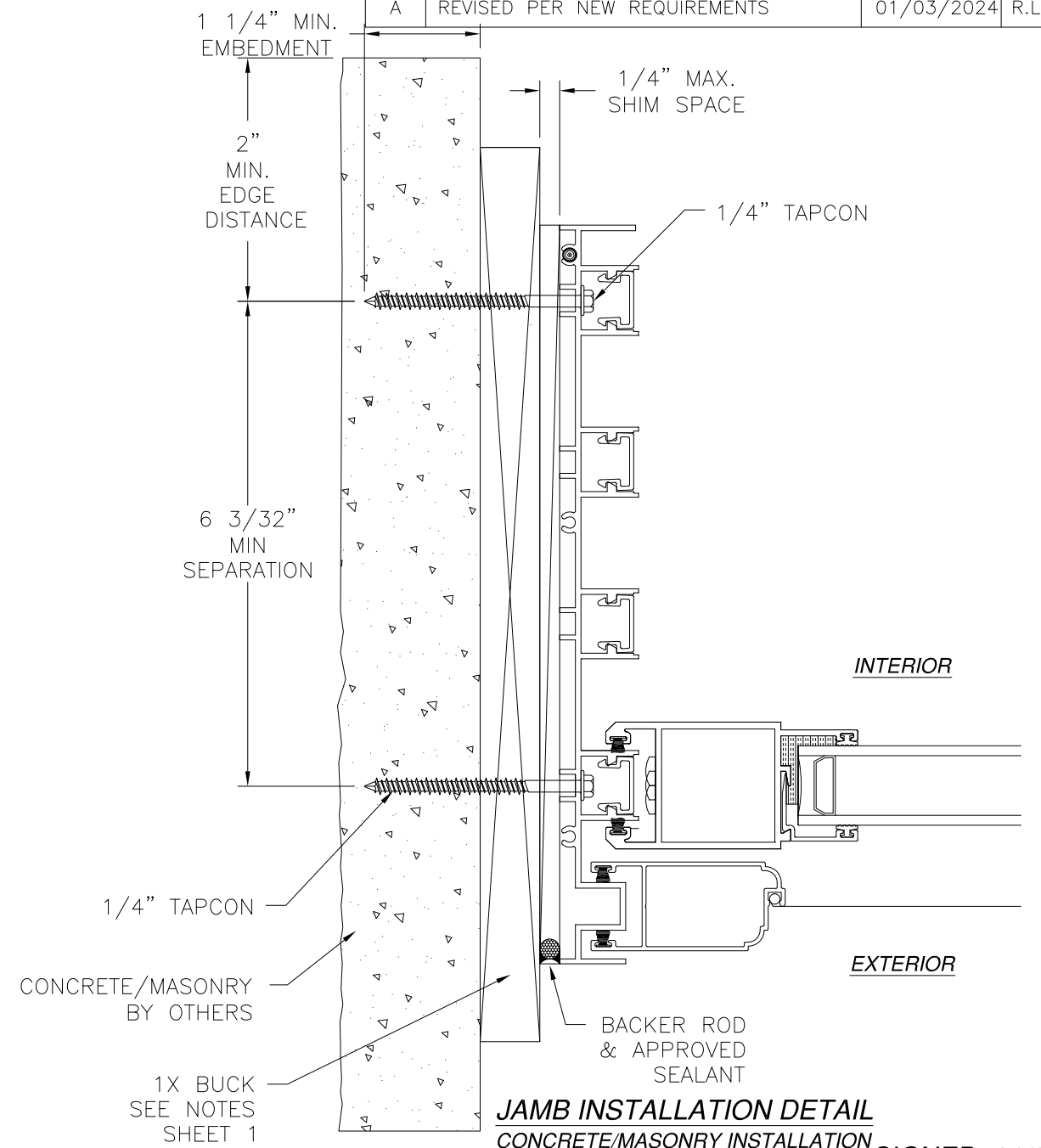
Luis R. Lomas P.E.  
FL No.: 62514



**VERTICAL CROSS SECTION**  
CONCRETE/MASONRY INSTALLATION

- NOTES:**
1. INTERIOR AND EXTERIOR FINISHES, BY OTHERS, NOT SHOWN FOR CLARITY.
  2. PERIMETER AND JOINT SEALANT BY OTHERS TO BE DESIGNED IN ACCORDANCE WITH ASTM E2112

REVISIONS			
REV	DESCRIPTION	DATE	APPROVED
A	REVISED PER NEW REQUIREMENTS	01/03/2024	R.L.



SIGNED: 01/03/2024

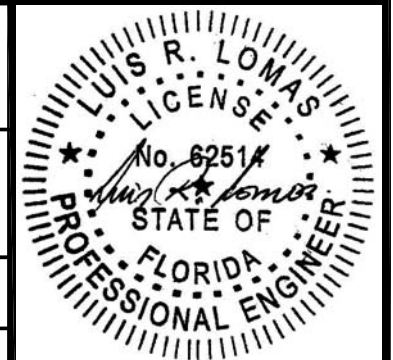
**Eastern**  
ARCHITECTURAL SYSTEMS  
ALUMINUM AND VINYL  
IMPACT WINDOWS AND DOORS

EASTERN ARCHITECTURAL SYSTEMS  
A DIVISION OF  
EASTERN METAL SUPPLY  
16341 DOMESTIC AVE  
FORT MYERS, FL 33912  
800-432-2204

SERIES 7000 ALUMINUM SLIDING GLASS DOOR  
NON-IMPACT  
4 TRACK INSTALLATION DETAILS

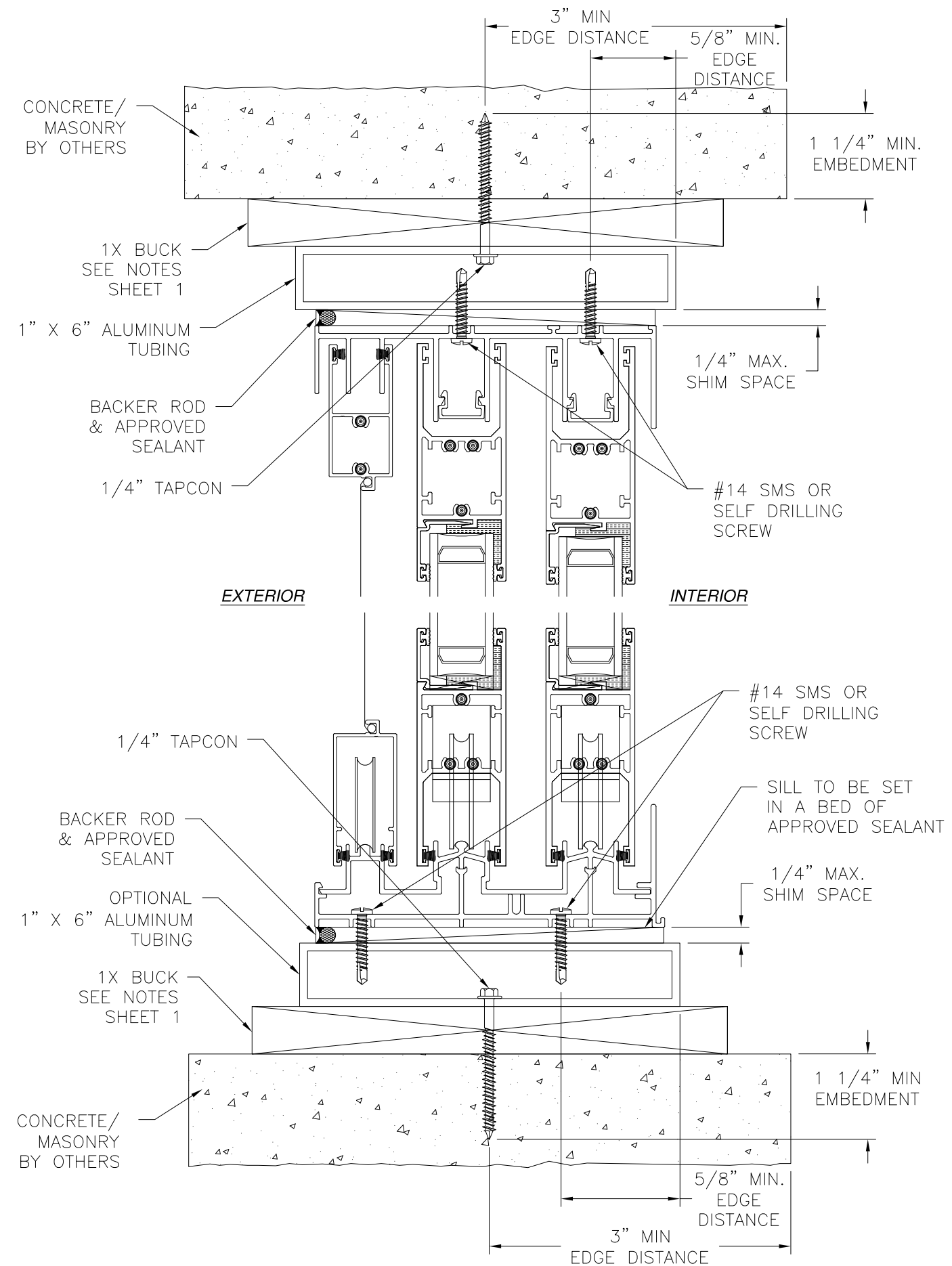
DRAWN: R.L.	DWG NO. 08-03961	REV A
SCALE NTS	DATE 11/01/23	SHEET 13 OF 19

L. ROBERTO LOMAS P.E.  
208 7th Ave, INDIALANTIC, FL 32903  
434-688-0609 rllomas@rlomaspe.com

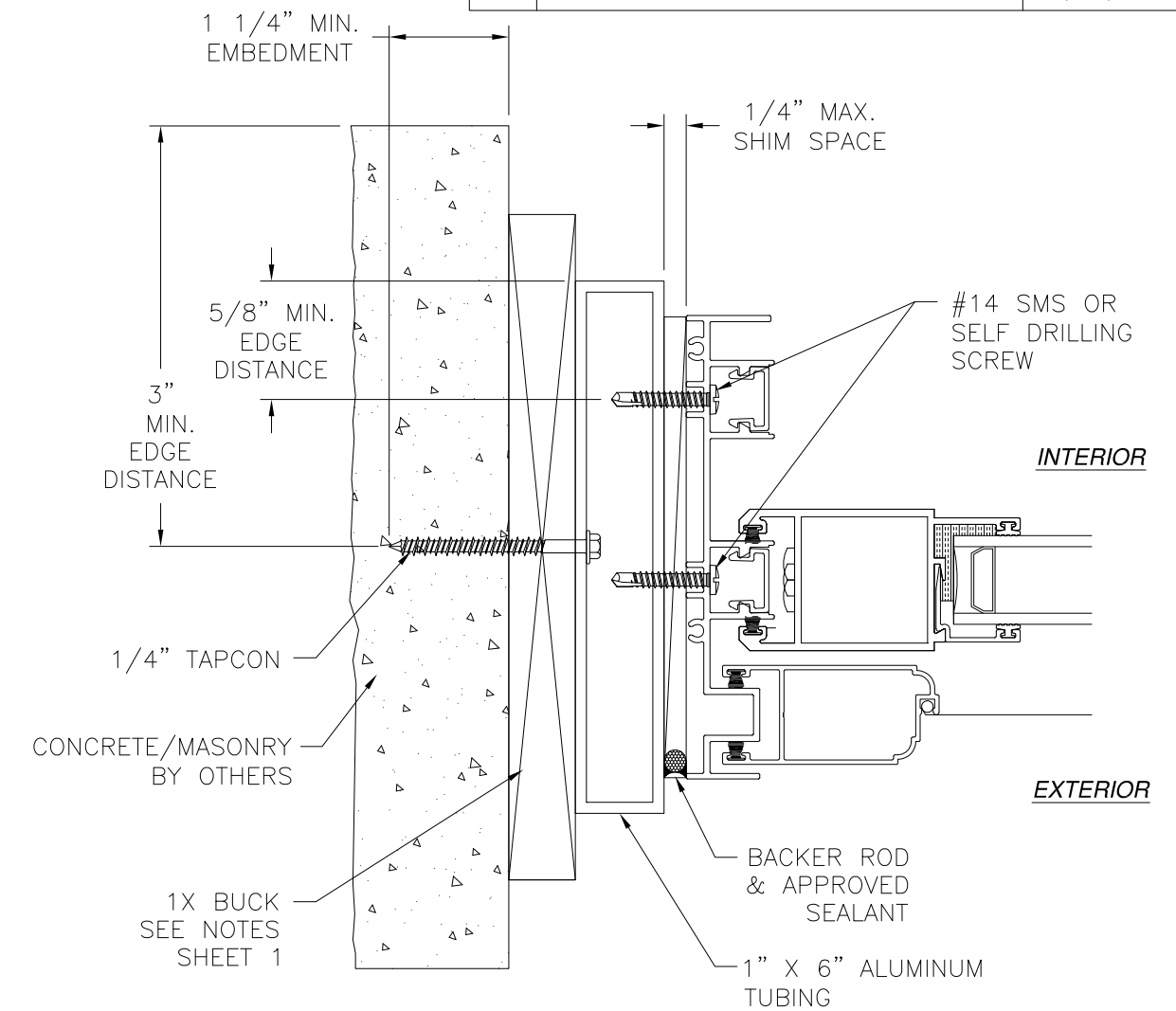


Luis R. Lomas P.E.  
FL No.: 62514

REVISIONS			
REV	DESCRIPTION	DATE	APPROVED
A	REVISED PER NEW REQUIREMENTS	01/03/2024	R.L.




**VERTICAL CROSS SECTION  
CONCRETE/MASONRY INSTALLATION**

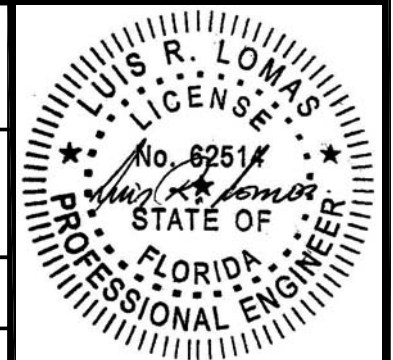


**JAMB INSTALLATION DETAIL  
CONCRETE/MASONRY INSTALLATION**

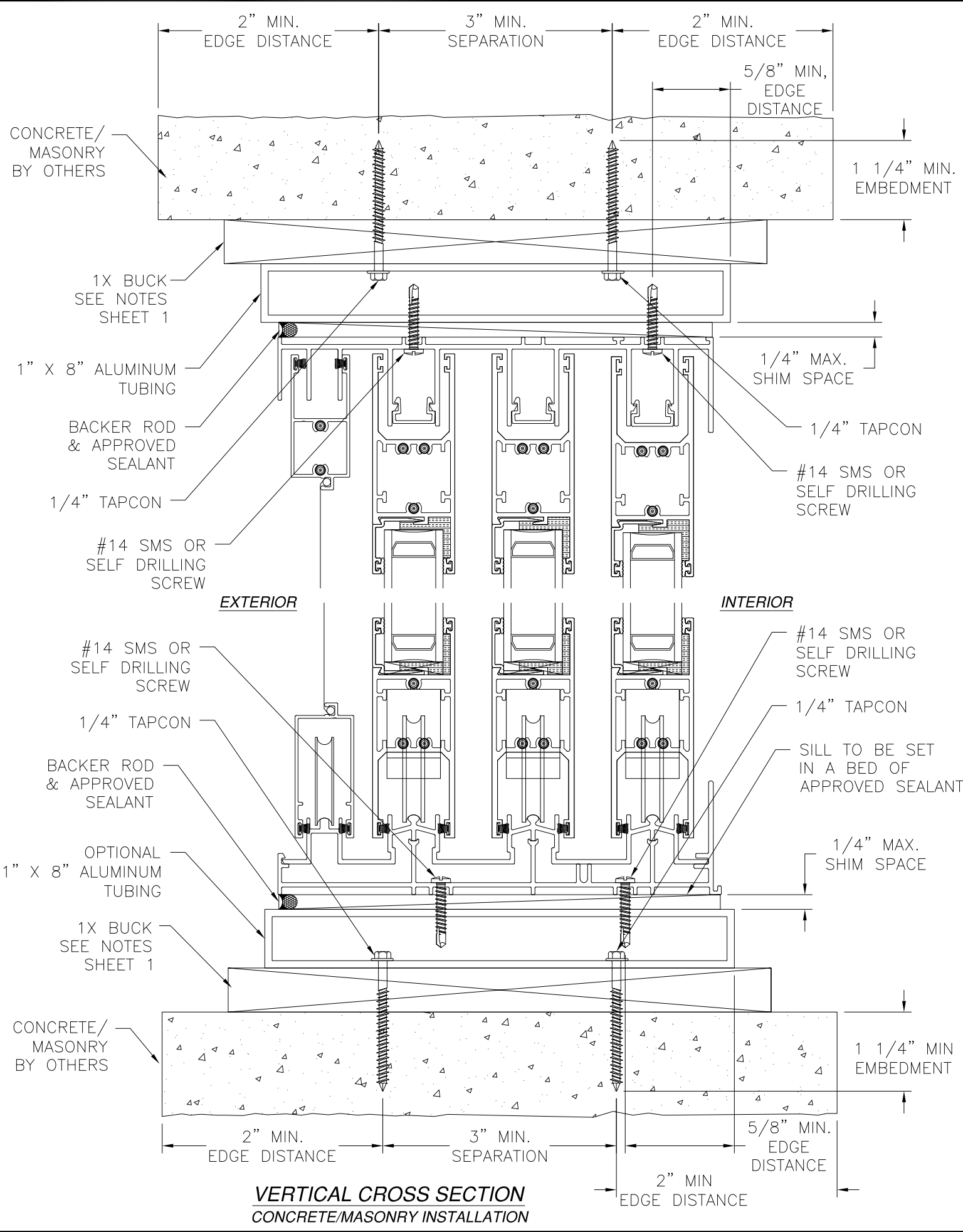
- NOTES:**
1. INTERIOR AND EXTERIOR FINISHES, BY OTHERS, NOT SHOWN FOR CLARITY.
  2. PERIMETER AND JOINT SEALANT BY OTHERS TO BE DESIGNED IN ACCORDANCE WITH ASTM E2112

SIGNED: 01/03/2024

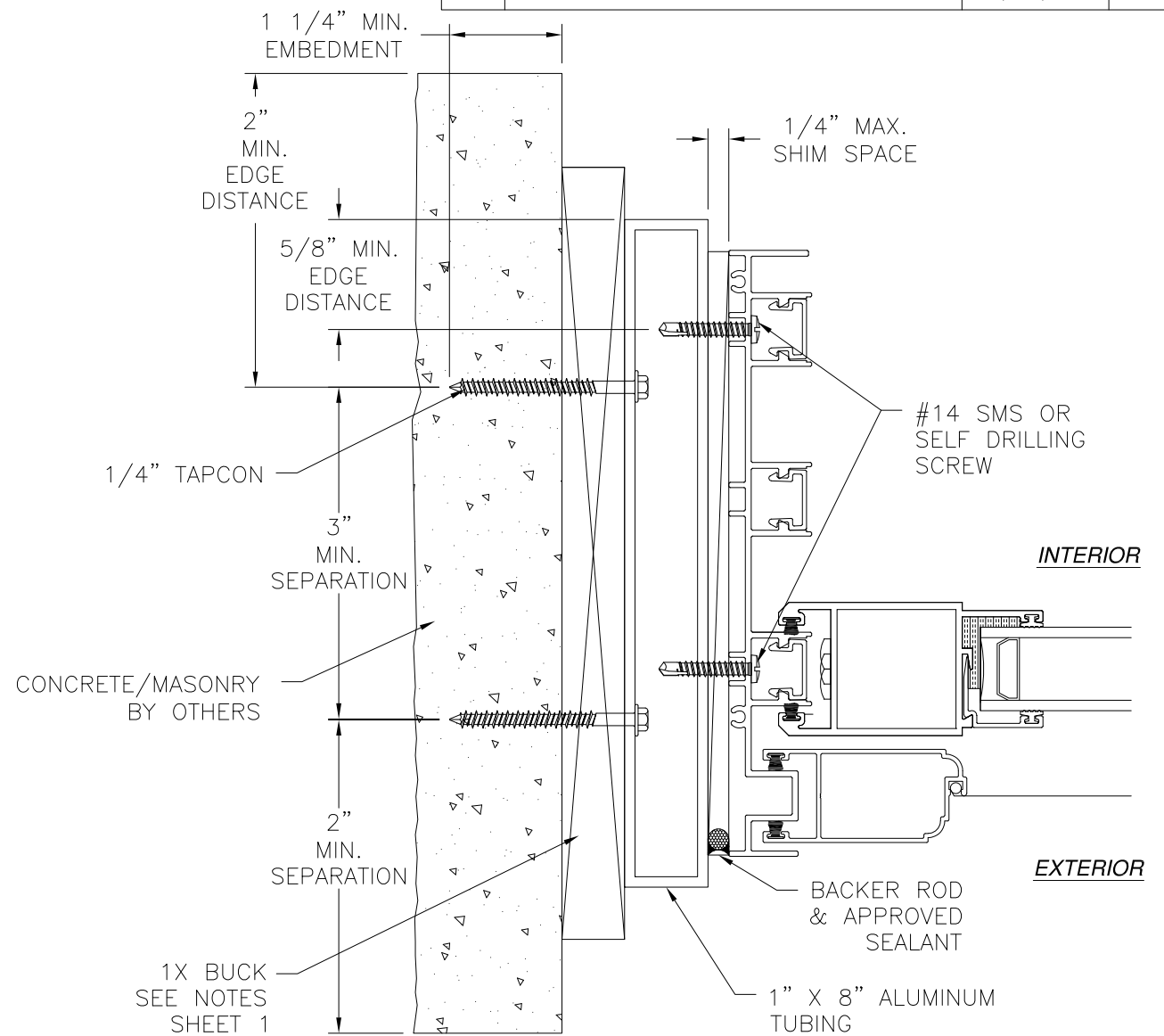
		EASTERN ARCHITECTURAL SYSTEMS A DIVISION OF EASTERN METAL SUPPLY 16341 DOMESTIC AVE FORT MYERS, FL 33912 800-432-2204	
<b>SERIES 7000 ALUMINUM SLIDING GLASS DOOR NON-IMPACT 2 TRACK BUILD OUT INSTALLATION DETAILS</b>			
DRAWN: R.L.	DWG NO. 08-03961	REV A	
SCALE NTS	DATE 11/01/23	SHEET 14 OF 19	
L. ROBERTO LOMAS P.E. 208 7th Ave, INDIALANTIC, FL 32903 434-688-0609 rllomas@lrlomaspe.com			



Luis R. Lomas P.E.  
FL No.: 62514



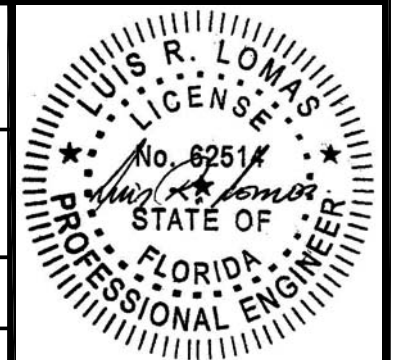
REVISIONS			
REV	DESCRIPTION	DATE	APPROVED
A	REVISED PER NEW REQUIREMENTS	01/03/2024	R.L.



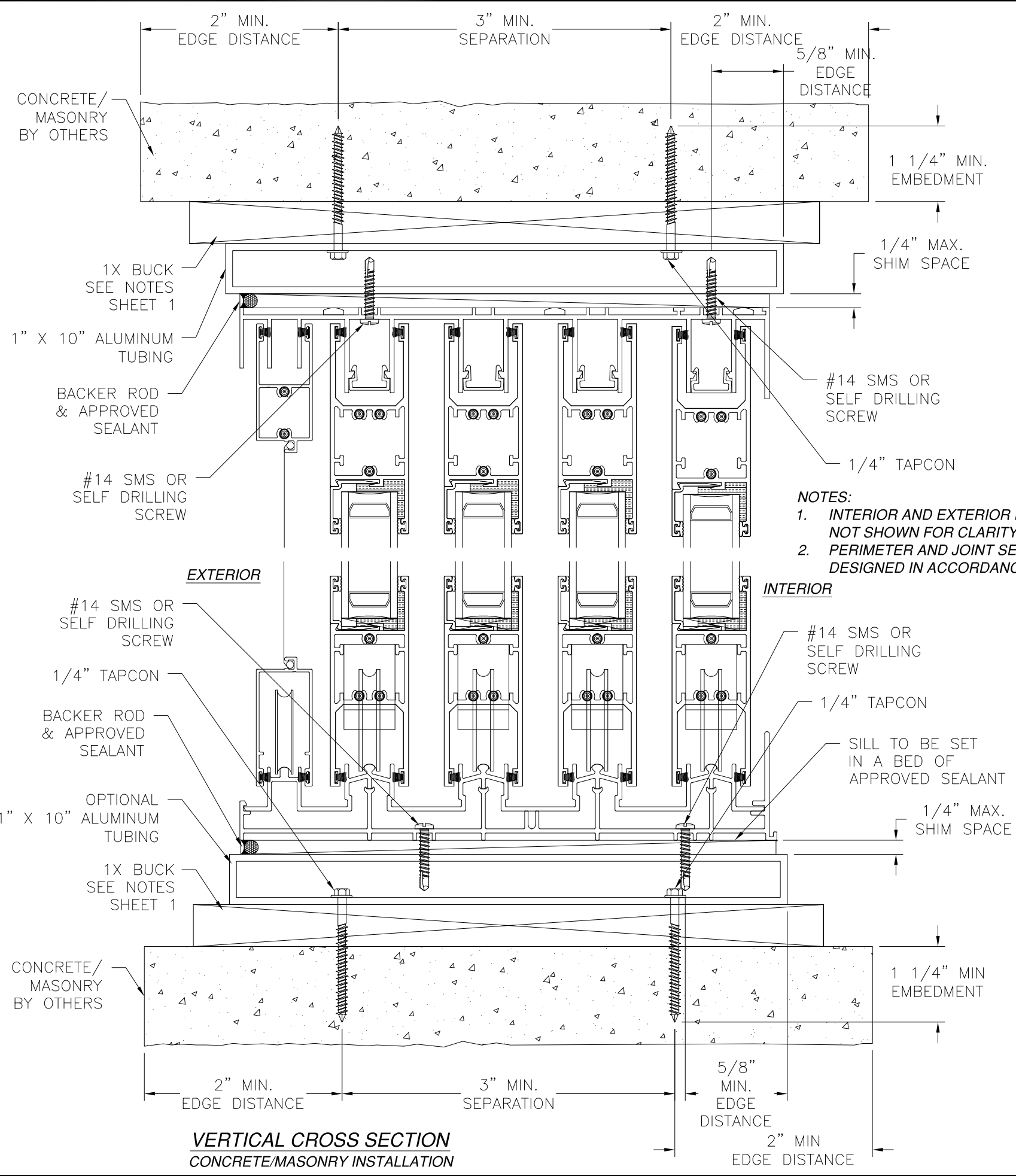
- NOTES:**
- INTERIOR AND EXTERIOR FINISHES, BY OTHERS, NOT SHOWN FOR CLARITY.
  - PERIMETER AND JOINT SEALANT BY OTHERS TO BE DESIGNED IN ACCORDANCE WITH ASTM E2112

SIGNED: 01/03/2024

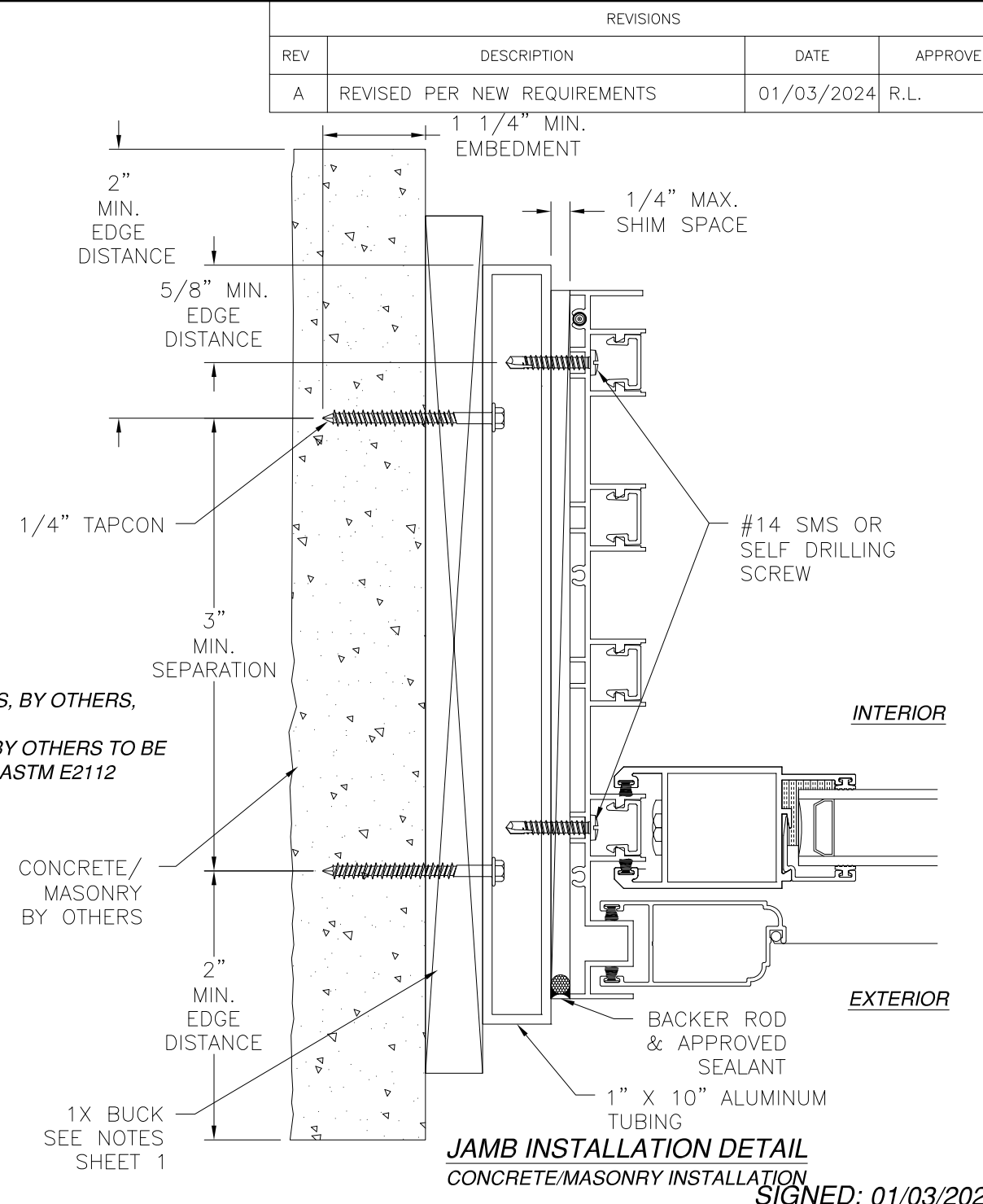
 <p><b>Eastern</b> ARCHITECTURAL SYSTEMS ALUMINUM AND VINYL IMPACT WINDOWS AND DOORS</p>			<p>EASTERN ARCHITECTURAL SYSTEMS A DIVISION OF EASTERN METAL SUPPLY 16341 DOMESTIC AVE FORT MYERS, FL 33912 800-432-2204</p>		
<p>SERIES 7000 ALUMINUM SLIDING GLASS DOOR NON-IMPACT 3 TRACK BUILD OUT INSTALLATION DETAILS</p>					
DRAWN: R.L.		DWG NO. 08-03961		REV A	
SCALE NTS		DATE 11/01/23		SHEET 15 OF 19	
<p>L. ROBERTO LOMAS P.E. 208 7th Ave, INDIALANTIC, FL 32903 434-688-0609 rllomas@lrlomaspe.com</p>					



Luis R. Lomas P.E.  
FL No.: 62514



**VERTICAL CROSS SECTION  
CONCRETE/MASONRY INSTALLATION**



**JAMB INSTALLATION DETAIL  
CONCRETE/MASONRY INSTALLATION  
SIGNED: 01/03/2024**

REVISIONS			
REV	DESCRIPTION	DATE	APPROVED
A	REVISED PER NEW REQUIREMENTS	01/03/2024	R.L.

- NOTES:**
- INTERIOR AND EXTERIOR FINISHES, BY OTHERS, NOT SHOWN FOR CLARITY.
  - PERIMETER AND JOINT SEALANT BY OTHERS TO BE DESIGNED IN ACCORDANCE WITH ASTM E2112

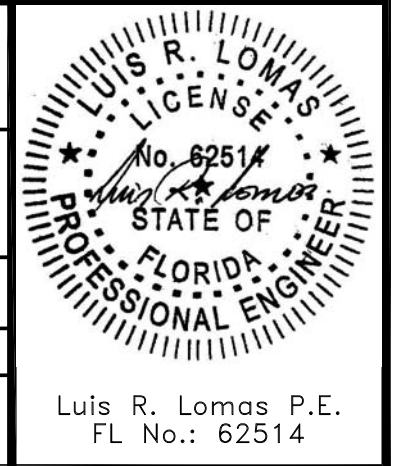
**Eastern**  
ARCHITECTURAL SYSTEMS  
ALUMINUM AND VINYL  
IMPACT WINDOWS AND DOORS

EASTERN ARCHITECTURAL SYSTEMS  
A DIVISION OF  
EASTERN METAL SUPPLY  
16341 DOMESTIC AVE  
FORT MYERS, FL 33912  
800-432-2204

**SERIES 7000 ALUMINUM SLIDING GLASS DOOR  
NON-IMPACT  
4 TRACK BUILD OUT INSTALLATION DETAILS**

DRAWN: R.L.	DWG NO. 08-03961	REV A
SCALE NTS	DATE 11/01/23	SHEET 16 OF 19

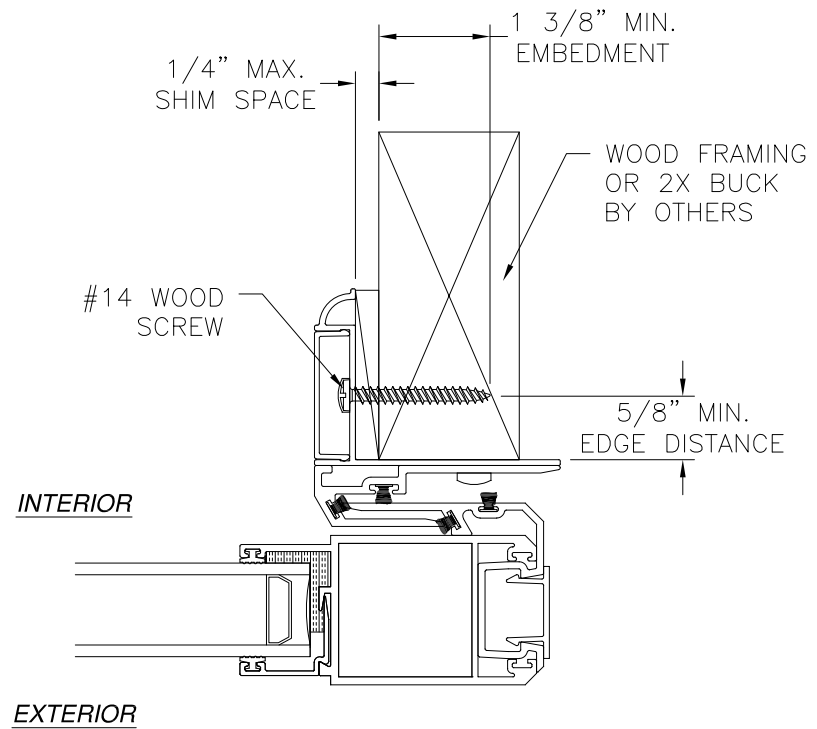
**L. ROBERTO LOMAS P.E.**  
 208 7th Ave, INDIALANTIC, FL 32903  
 434-688-0609 rllomas@rlomaspe.com



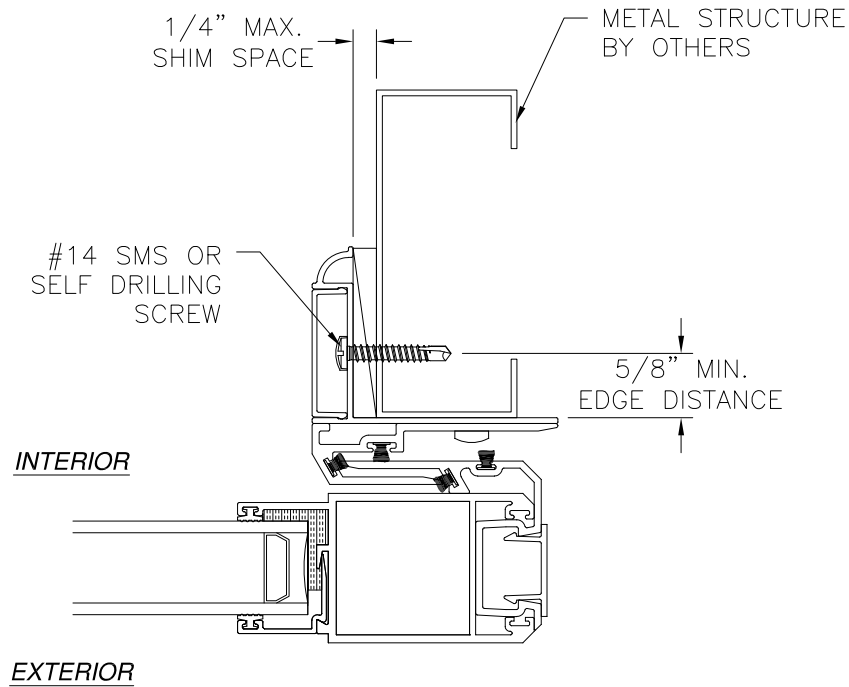
Luis R. Lomas P.E.  
FL No.: 62514



REVISIONS			
REV	DESCRIPTION	DATE	APPROVED
A	REVISED PER NEW REQUIREMENTS	01/03/2024	R.L.




**HOOK INSTALLATION DETAIL**  
WOOD FRAMING OR 2X BUCK INSTALLATION

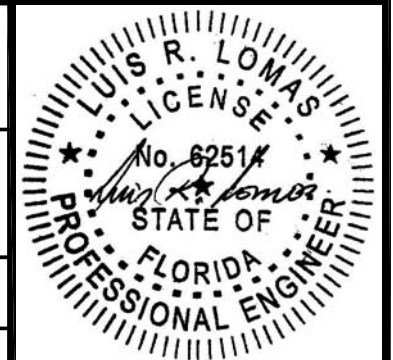


**HOOK INSTALLATION DETAIL**  
METAL STRUCTURE INSTALLATION

- NOTES:**
1. INTERIOR AND EXTERIOR FINISHES, BY OTHERS, NOT SHOWN FOR CLARITY.
  2. PERIMETER AND JOINT SEALANT BY OTHERS TO BE DESIGNED IN ACCORDANCE WITH ASTM E2112

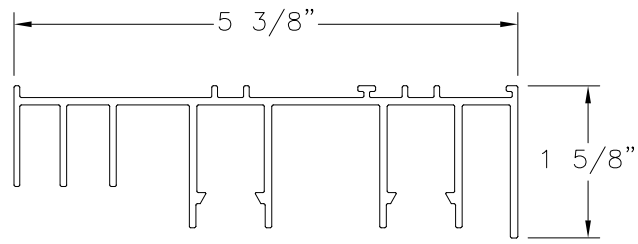
SIGNED: 01/03/2024

		EASTERN ARCHITECTURAL SYSTEMS A DIVISION OF EASTERN METAL SUPPLY 16341 DOMESTIC AVE FORT MYERS, FL 33912 800-432-2204	
SERIES 7000 ALUMINUM SLIDING GLASS DOOR NON-IMPACT HOOK INSTALLATION DETAILS			
DRAWN:	DWG NO.	REV	
R.L.	08-03961	A	
SCALE NTS	DATE 11/01/23	SHEET 17 OF 19	
L. ROBERTO LOMAS P.E. 208 7th Ave, INDIALANTIC, FL 32903 434-688-0609 rllomas@rlomaspe.com			

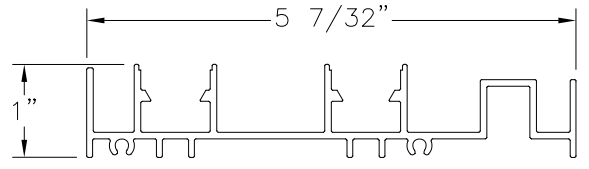


Luis R. Lomas P.E.  
FL No.: 62514

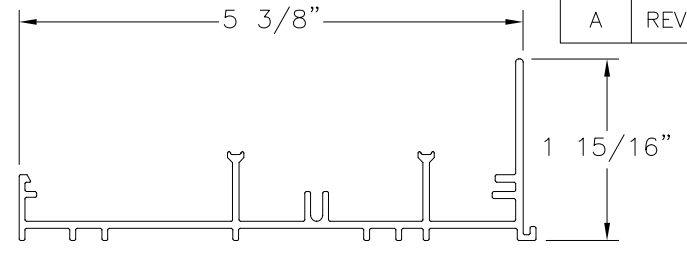
REVISIONS			
REV	DESCRIPTION	DATE	APPROVED
A	REVISED PER NEW REQUIREMENTS	01/03/2024	R.L.



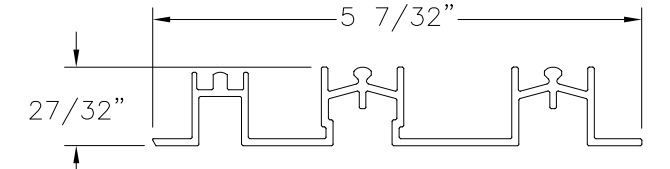
**FRAME HEAD 2TRACK**  
ALUMINUM 6063-T6 BY SAPA (57339)



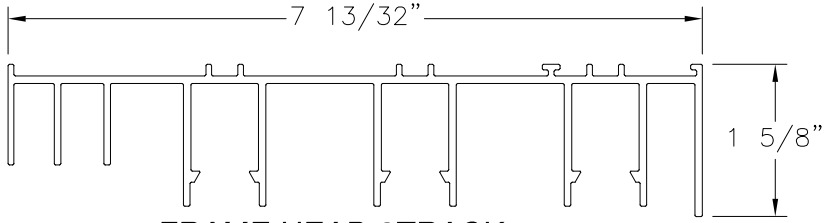
**FRAME JAMB 2TRACK**  
ALUMINUM 6063-T6 BY SAPA (57336)



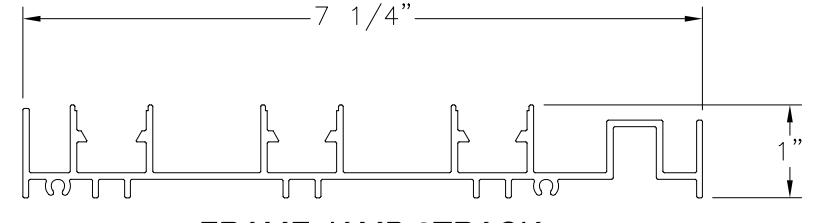
**FRAME SILL 2TRACK**  
ALUMINUM 6063-T6 BY SAPA (3291)



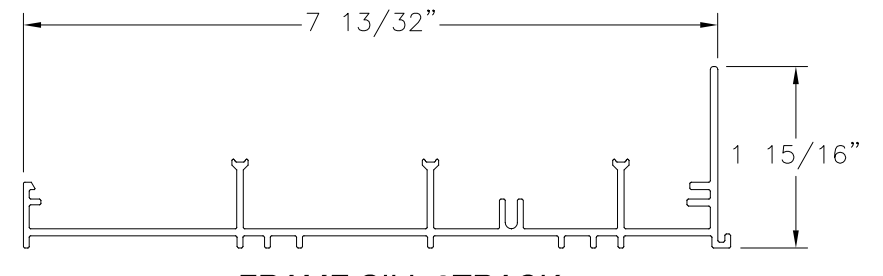
**SILL INSERT 2TRACK**  
ALUMINUM 6063-T6 BY SAPA (3288)



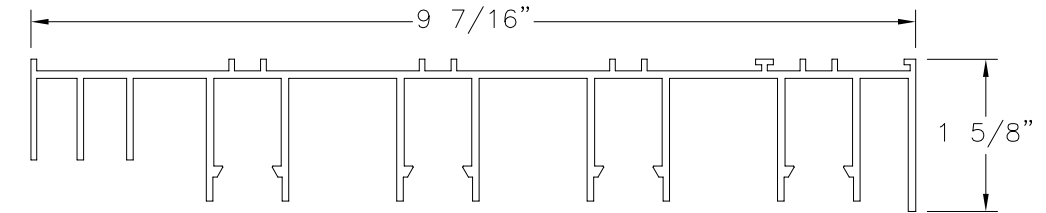
**FRAME HEAD 3TRACK**  
ALUMINUM 6063-T6 BY SAPA (57339)



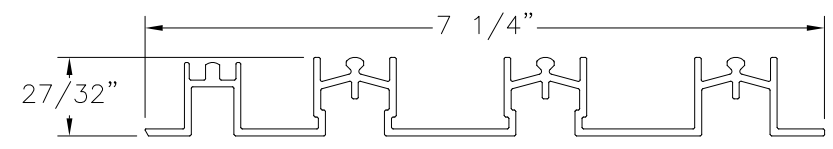
**FRAME JAMB 3TRACK**  
ALUMINUM 6063-T6 BY SAPA (57336)



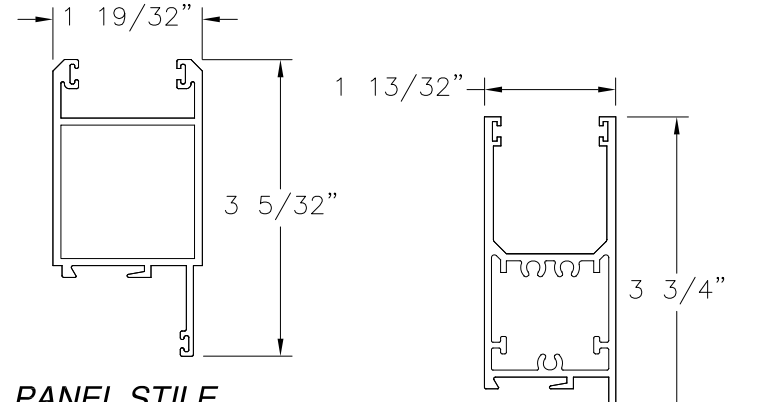
**FRAME SILL 3TRACK**  
ALUMINUM 6063-T6 BY SAPA (3291)



**FRAME HEAD 4TRACK**  
ALUMINUM 6063-T6 BY SAPA (57339)

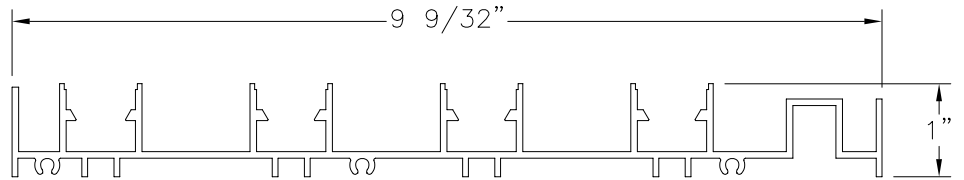


**SILL INSERT 3TRACK**  
ALUMINUM 6063-T6 BY SAPA (3288)

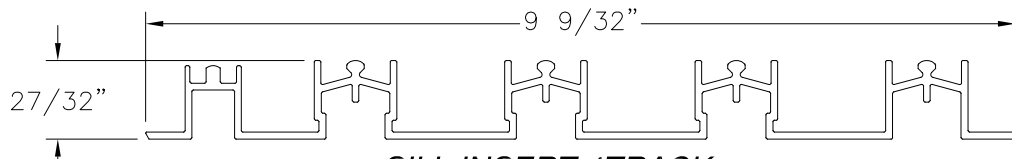


**PANEL STILE**  
ALUMINUM 6063-T6 BY SAPA (57276)

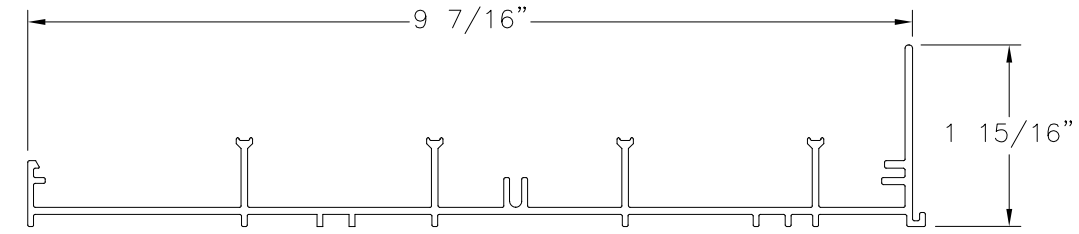
**PANEL TOP & BOTTOM RAIL**  
ALUMINUM 6063-T6 BY SAPA (57275)



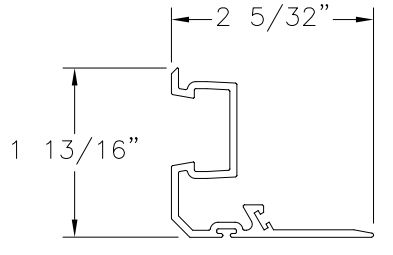
**FRAME JAMB 4TRACK**  
ALUMINUM 6063-T6 BY SAPA (57336)



**SILL INSERT 4TRACK**  
ALUMINUM 6063-T6 BY SAPA (3288)



**FRAME SILL 4TRACK**  
ALUMINUM 6063-T6 BY SAPA (3291)



**PANEL INTELOCK ADAPTER**  
ALUMINUM 6063-T6 BY SAPA (57277)

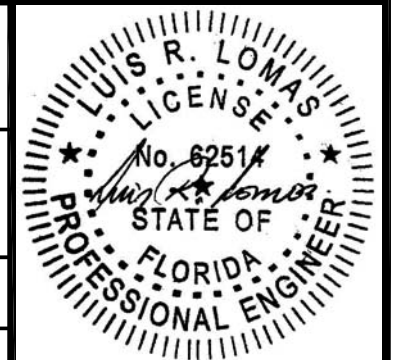
SIGNED: 01/03/2024

**Eastern** ARCHITECTURAL SYSTEMS  
A DIVISION OF EASTERN METAL SUPPLY  
16341 DOMESTIC AVE  
FORT MYERS, FL 33912  
800-432-2204

SERIES 7000 ALUMINUM SLIDING GLASS DOOR  
NON-IMPACT COMPONENTS

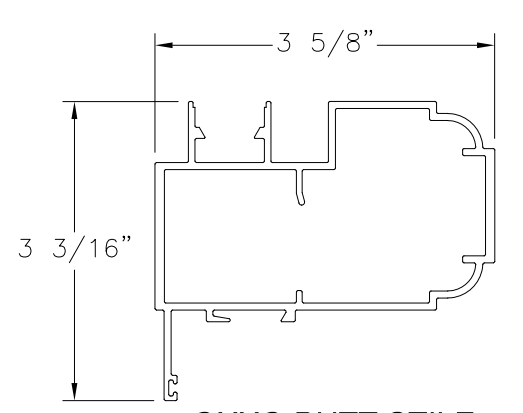
DRAWN: R.L.	DWG NO. 08-03961	REV A
SCALE NTS	DATE 11/01/23	SHEET 18 OF 19

L. ROBERTO LOMAS P.E.  
208 7th Ave, INDIALANTIC, FL 32903  
434-688-0609 rllomas@rlomaspe.com

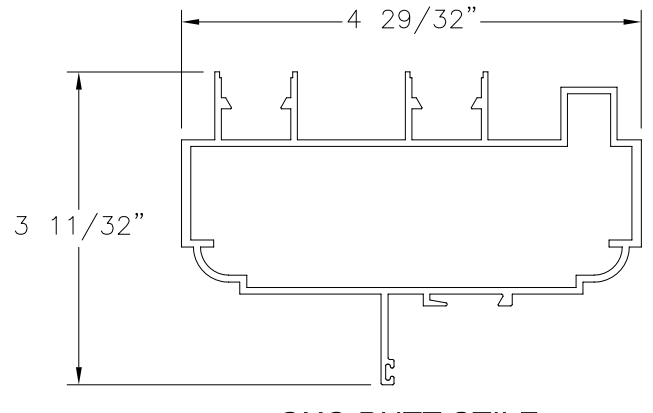


Luis R. Lomas P.E.  
FL No.: 62514

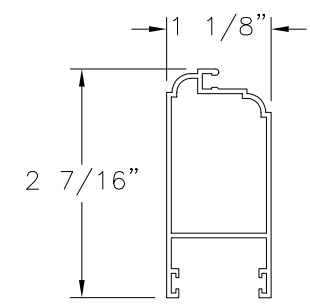
REVISIONS			
REV	DESCRIPTION	DATE	APPROVED
A	REVISED PER NEW REQUIREMENTS	01/03/2024	R.L.



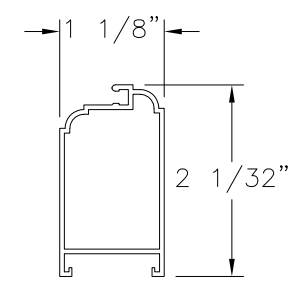
**OXXO BUTT STILE**  
ALUMINUM 6063-T6 BY SAPA (57274)



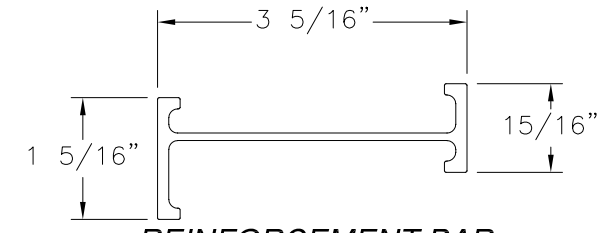
**OXO BUTT STILE**  
ALUMINUM 6063-T6 BY SAPA (57314)



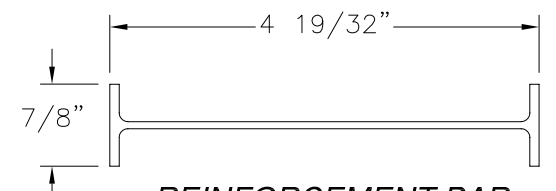
**SCREEN LOCK STILE**  
ALUMINUM 6063-T6 BY SAPA (GAH-49298)



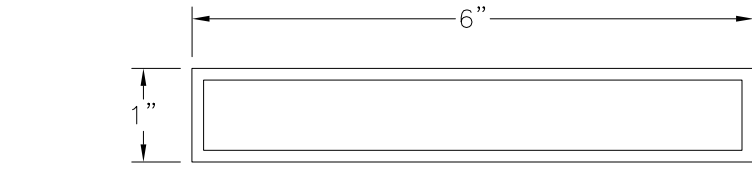
**INTERLOCK SCREEN STILE**  
ALUMINUM 6063-T6 BY SAPA (GAH-49197)



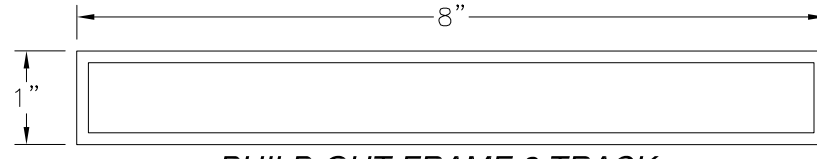
**REINFORCEMENT BAR**  
**OXXO BUTT STILE**  
ALUMINUM 6063-T6 BY SAPA (57282)



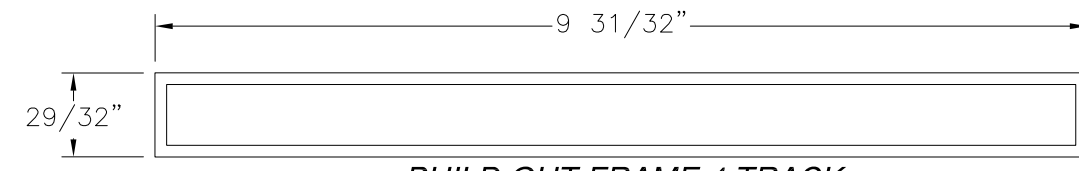
**REINFORCEMENT BAR**  
**OXO BUTT STILE**  
ALUMINUM 6063-T6 BY SAPA (57316)



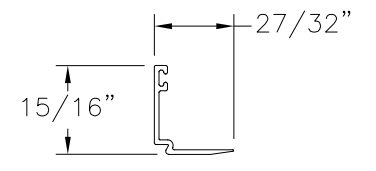
**BUILD OUT FRAME 2 TRACK**  
ALUMINUM 6063-T5 (.125" THICK)



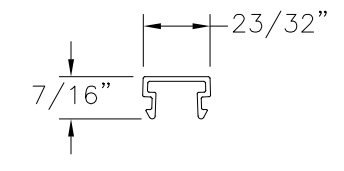
**BUILD OUT FRAME 3 TRACK**  
ALUMINUM 6063-T5 (.125" THICK)



**BUILD OUT FRAME 4 TRACK**  
ALUMINUM 6063-T5 (.125" THICK)




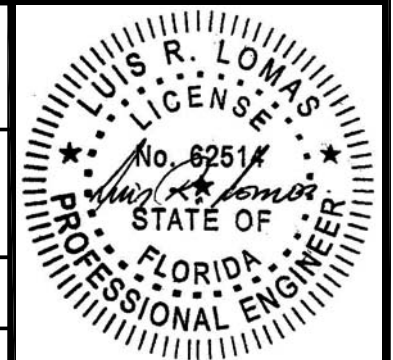
**GLAZING BEAD**  
ALUMINUM 6063-T6 BY SAPA (57278)



**ANCHOR COVER**  
ALUMINUM 6063-T6 BY SAPA (57398)

SIGNED: 01/03/2024

 <p><b>Eastern</b> ARCHITECTURAL SYSTEMS ALUMINUM AND VINYL IMPACT WINDOWS AND DOORS</p>			<p>EASTERN ARCHITECTURAL SYSTEMS A DIVISION OF EASTERN METAL SUPPLY 16341 DOMESTIC AVE FORT MYERS, FL 33912 800-432-2204</p>		
<p>SERIES 7000 ALUMINUM SLIDING GLASS DOOR NON-IMPACT COMPONENTS</p>					
DRAWN:		DWG NO.		REV	
R.L.		08-03961		A	
SCALE	DATE	SHEET			
NTS	11/01/23	19 OF 19			
<p>L. ROBERTO LOMAS P.E. 208 7th Ave, INDIALANTIC, FL 32903 434-688-0609 rllomas@rlomaspe.com</p>					



Luis R. Lomas P.E.  
FL No.: 62514