

EASTERN ARCHITECTURAL SYSTEMS

SERIES 650 MULTI-SLIDE/POCKET VINYL SLIDING GLASS DOOR, IMPACT, HVHZ INSTALLATION ANCHORAGE DETAILS

EASTERN ARCHITECTURAL SYSTEMS
A DIVISION OF
CORNERSTONE BUILDING BRANDS
16341 DOMESTIC AVENUE
FORT MYERS, FL33912

GENERAL NOTES:

- THE PRODUCT DETAILS CONTAINED HEREIN ARE BASED UPON NATIONAL CERTIFIED TESTING LABORATORIES TEST REPORT NO. NCTL-201-4092-01A AND ASSOCIATED LABORATORY DRAWING, SIGNED AND SEALED BY DOUGLAS J. MCDUGALL, FL P.E. LICENSE NUMBER 28392 ON 1/15/18. PERFORMANCE STANDARDS USED IN TESTING ARE:
 - TAS 201-94
 - TAS 202-94
 - TAS 203-94
- THIS PRODUCT CAN BE USED IN THE HIGH VELOCITY HURRICANE ZONE (HVHZ).
- ADEQUACY OF THE EXISTING STRUCTURAL CONCRETE / MASONRY AND 2X FRAMING FRAMING SUBSTRATES AS A MAIN WIND FORCE RESISTING SYSTEM CAPABLE OF WITHSTANDING AND TRANSFERRING APPLIED PRODUCT LOADS TO THE FOUNDATION IS THE RESPONSIBILITY OF THE LICENSED PROFESSIONAL ENGINEER OR REGISTERED ARCHITECT ACTING AS THE DESIGN PROFESSIONAL OF RECORD FOR THE PROJECT OF INSTALLATION.
- 1X AND 2X BUCKS (WHEN USED) SHALL BE DESIGNED AND ANCHORED TO PROPERLY TRANSFER ALL LOADS TO THE STRUCTURE. BUCK DESIGN AND INSTALLATION IS THE RESPONSIBILITY OF THE LICENSED PROFESSIONAL ENGINEER OR REGISTERED ARCHITECT ACTING AS THE DESIGN PROFESSIONAL OF RECORD FOR THE PROJECT OF INSTALLATION.
- THE PRODUCT SHOWN HEREIN WAS TESTED WITH IMPACT PROTECTIVE GLAZING SHOWN IN DETAIL A ON SHEET 12 FOR LARGE MISSILE IMPACT (SMALL MISSILE IMPACT ENVELOPED) IN THE HIGH VELOCITY HURRICANE ZONE (HVHZ). WHEN INSTALLED IN LOCATIONS WHERE WINDBORNE DEBRIS PROTECTION REQUIREMENTS EXIST, THIS PRODUCT DOES NOT REQUIRE OPENING PROTECTION.
- SITE CONDITIONS NOT COVERED IN THIS PRODUCT EVALUATION DOCUMENT ARE SUBJECT TO ADDITIONAL ENGINEERING ANALYSIS BY A LICENSED PROFESSIONAL ENGINEER OR REGISTERED ARCHITECT AS REQUIRED BY THE AUTHORITY HAVING JURISDICTION.
- MATERIALS
 - FRAME MATERIAL: RIGID VINYL APPROVED FOR HVHZ UNDER AAMA MASTER FILE NO. 15-0333, WHITE RIGID PVC EXTERIOR EXTRUSIONS FOR WINDOWS AND DOORS MANUFACTURED BY DECEUNICK NORTH AMERICA
 - LAMINATED GLAZING INTERLAYER: KURARAY AMERICA, INC. SENTRYGLAS PER APPROVED MIAMI-DADE NOTICE OF ACCEPTANCE (NOA) NO. 17-0808.02.
 - GLASS MEETS THE REQUIREMENTS OF ASTM E1300-12AE1 AND EXCEEDS THE DESIGN PRESSURES BELOW.
- DESIGNATION "X" STANDS FOR OPERABLE PANEL AND "O" STANDS FOR FIXED PANEL
- INTERIOR AND EXTERIOR FINISHING AND SEALING ARE FOR ILLUSTRATIVE PURPOSES ONLY. THESE DRAWINGS CERTIFY THE DOOR INSTALLATION ONLY. WATER PROOFING OF THE INSTALLED DOOR IS NOT PART OF THIS INSTALLATION CERTIFICATION. THAT RESPONSIBILITY SHALL BE THAT OF THE MANUFACTURER AND/OR THE INSTALLER.
- APPROVED CONFIGURATIONS
 - THE AS-TESTED 3-TRACK AND 2-TRACK CONFIGURATIONS LISTED IN THE PERFORMANCE RATING TABLE BELOW ARE SHOWN ON SHEETS 4, 5 AND 6 ELEVATIONS.
 - ADDITIONALLY, AS ALLOWED BY SECTION 2411 OF THE FLORIDA BUILDING CODE AND MIAMI-DADE ENTRY DOOR CHECKLIST NO. 0210, A 4-TRACK CONFIGURATION WHERE THE OVERALL FRAME AREA IS LIMITED TO 1.5 TIMES THE AS-TESTED UNIT'S FRAME AREA IS SHOWN ON SHEET 3 ELEVATION. THIS EQUATES TO AN OVERALL FRAME SIZE OF 378" X 96" ALLOWING A MAXIMUM OF EIGHT (8) 50.25" X 92.75" PANELS OR A LARGER COMBINATION OF PANELS WITH WIDTHS LESS THAN 50.25".
 - ANY STILE CONFIGURATION SHOWN IN SECTION VIEWS ON SHEETS 6, 7, 8 AND 9 ARE ALLOWED FOR USE IN 4-TRACK CONFIGURATIONS.
 - TYPICAL 4-TRACK CONFIGURATIONS ALLOWED INCLUDE BUT ARE NOT LIMITED TO THE FOLLOWING. POCKET DOOR ALLOWED ON EITHER OR BOTH SIDES OF THE SLIDING GLASS DOOR ASSEMBLY.
 - OXXX, XXXO, XXXX, XXXXXXXX, OXXXXXXX, PXXXXX, XXXXXP, PXXXXXXXXP
 - SEE NOTES ON ELEVATION SHEETS 3, 4, 5 AND 6 FOR ADDITIONAL APPROVED CONFIGURATION DETAILS.

PERFORMANCE RATING						
CONFIGURATION (SEE GENERAL NOTE 10)	TRACKS	MAXIMUM FRAME AND PANEL SIZE	GLAZING DETAIL (SEE SHEET 12)	SILL RISER	DESIGN PRESSURE (PSF)	IMPACT RATING
XXXXXXXXX OR OXXXXXXX	4	378" X 96" (1.5 x FRAME AREA OF 3-TRACK AS-TESTED FRAME SIZE BELOW) 50-1/4" x 92-3/4" PANEL	A	3.285" or 3.785"	+/-70	LARGE MISSILE (SMALL MISSILE ENVELOPED)
XXXXXO or OXXXXX	3	290" x 96" FRAME 50-1/4" x 92-3/4" PANEL	A	3.285" or 3.785"	+/-70	
XXXX	2	198" x 96" FRAME 50-1/4" x 92-3/4" PANEL	A	3.285" or 3.785"	+/-70	
OXXO	2	198" x 96" FRAME 50-1/4" x 92-3/4" PANEL	A	3.285" or 3.785"	+/-70	

SERIES 650 MULTI-SLIDE/POCKET VINYL SLIDING GLASS DOOR INSTALLATION ANCHORAGE DETAILS	DATE	BY	REVISION DESCRIPTION	NO.

DATE: 06/05/2024	DWN BY: RJA	CHK BY: n/a	SCALE: NONE
---------------------	----------------	----------------	----------------

ROBERT J. AMORUSO, P.E.
FL P.E. No. 49752
226 N NOVA RD, NO. 142,
ORMOND BEACH, FL 32174
RJAENGPE@GMAIL.COM

TABLE OF CONTENTS	
SHEET	SHEET DESCRIPTION
1	GENERAL NOTES, ANCHOR SCHEDULE, TABLE OF CONTENTS
2	INSTALLATION NOTES - EMBEDMENT AND EDGE DISTANCE
3	4-TRACK XXXXXXXX / OXXXXXXX DOOR ELEVATION - ANCHOR LAYOUT
4	3-TRACK XXXXO / OXXXXX DOOR ELEVATION - ANCHOR LAYOUT
5	2-TRACK XXXX DOOR ELEVATION - ANCHOR LAYOUT
6	2-TRACK OXXO DOOR ELEVATION - ANCHOR LAYOUT
7	XXXXXXXXXO / OXXXXXXX, XXXXO / OXXXXX, OXXO & XXXX VERTICAL SECTIONS
8	XXXXXXXXXO HORIZONTAL CROSS SECTIONS
9	XXXXXO HORIZONTAL CROSS SECTIONS
10	XXXX HORIZONTAL CROSS SECTIONS
11	OXXO HORIZONTAL CROSS SECTIONS
12	GLAZING DETAILS, SILL RISER DETAILS & FIXED PANEL DETAILS
13	BILL OR MATERIALS

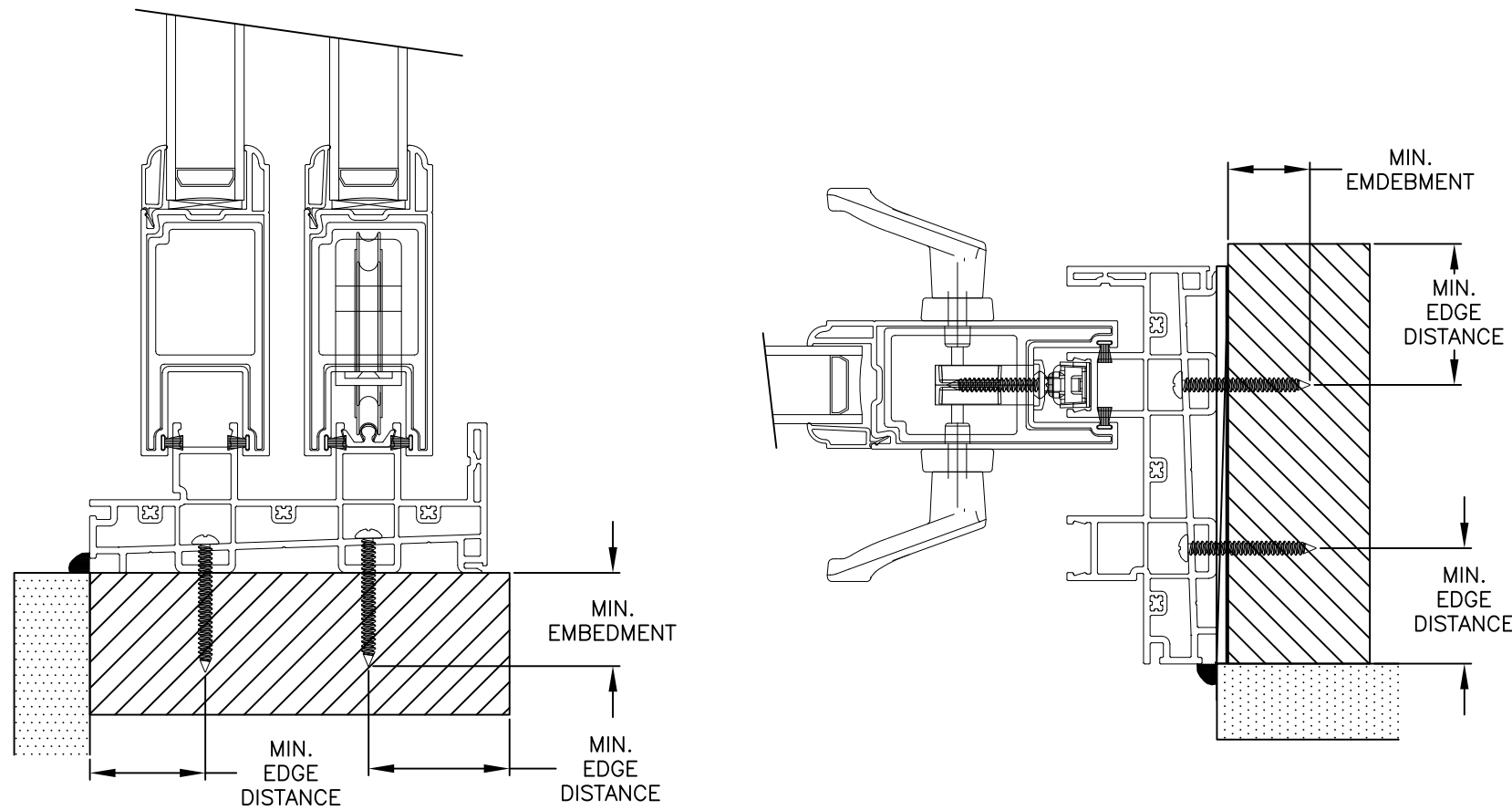
INSTALLATION ANCHOR SCHEDULE							
FASTENER HEAD TYPE	FASTENER SIZE	SUBSTRATE (4)	FRAME COMPONENT	MANUFACTURER AND/OR SPECIFICATION	MIN. EMBEDMENT (IN)	MIN. EDGE DISTANCE (IN)	ANCHOR CAPACITIES BASED ON
PAN HEAD OR HEX HEAD	1/4"	CONCRETE	HEAD, SILL AND JAMBS	ITW TAPCONS (1)	1-1/2	2	MIN. 2500 PSI CONCRETE
		MASONRY (BLOCK/CMU)	JAMBS ONLY	ITW TAPCONS (1)	1	2	STRENGTH CONFORMANCE TO ASTM C-90, MEDIUM WEIGHT, DENSITY > 117 PCF
PAN HEAD	No. 14	WOOD	HEAD, SILL AND JAMBS	ANSI B18.6.1 (WOOD SCREW) (2) ASME B18.6.4 (TAPPING SCREW) (3)	1-1/2	1	WOOD WITH A MINIMUM SPECIFIC GRAVITY OF 0.42

- NOTES:
- WHEN ITW TAPCONS ARE USED FOR CONCRETE/MASONRY INSTALLATION, THEY SHALL BE THE ADVANCED THREADFORM TECHNOLOGY TYPE.
 - FOR WOOD SCREW INSTALLATION INTO WOOD SUBSTRATE; IF SPLITTING IS A CONCERN, DRILL 0.149" PILOT HOLE (DRILL SIZE 25).
 - FOR WOOD SCREW INSTALLATION INTO WOOD SUBSTRATE; IF SPLITTING IS A CONCERN, DRILL 0.161" PILOT HOLE (DRILL SIZE 20).
 - FOR CONCRETE/CMU SUBSTRATES, 1X WOOD BUCK IS OPTIONAL.

FL#: 27113
PROJECT#: ACE-2024-119
DWG/REV: EAS2304, Rev 0
SHT: 1 of 13

INSTALLATION NOTES:

1. PRODUCT ANCHORS SHALL BE AS DESIGNATED AND LOCATED AS SHOWN IN THIS PRODUCT EVALUATION DOCUMENT. ANCHOR EMBEDMENT AND EDGE DISTANCE EXCLUDE WALL FINISHES, INCLUDING BUT NOT LIMITED TO STUCCO, FOAM, BRICK VENEER AND SIDING.
2. SEE INSTALLATION ANCHOR SCHEDULE ON SHEET 1 FOR TYPE AND GRADE OF ANCHOR, AND/OR MANUFACTURER'S ANCHOR SPECIFICATIONS, INCLUDING MINIMUM NOMINAL SIZE, MINIMUM EMBEDMENT INTO SUBSTRATE AND MINIMUM EDGE DISTANCES.
 - 2.1. EDGE DISTANCES SHALL BE MEASURED FROM CENTERLINE OF ANCHOR TO EDGE OF STRUCTURAL SUBSTRATE EITHER TO THE INTERIOR OR EXTERIOR OF THE FENESTRATION PRODUCT.
 - 2.2. MINIMUM EMBEDMENT SHALL BE BASED ON PENETRATION INTO MAIN WIND FORCE RESISTING SYSTEM SUBSTRATE.
 - 2.3. ALL INSTALLATION ANCHORS SHALL BE MADE OF A CORROSION RESISTANT MATERIAL OR HAVE A CORROSION RESISTANT COATING.
3. WOOD BUCKS SHALL HAVE BEEN PRESERVATIVE TREATED OR SHALL BE OF A DURABLE SPECIES AS DEFINED IN THE CURRENT EDITION OF THE FLORIDA BUILDING CODE.
4. DISSIMILAR METALS INCLUDING FASTENERS THAT MAY COME INTO CONTACT WITH ALUMINUM FRAMING SHALL HAVE BEEN PROTECTED AS DEFINED IN THE CURRENT EDITION OF THE FLORIDA BUILDING CODE.
5. INSTALLATION DETAILS
 - 5.1. SEE SHEETS 3, 4, 5 AND 6 FOR ANCHOR LAYOUT ELEVATIONS
 - 5.2. SEE SHEETS 7, 8, 9, 10 AND 11 FOR SECTION VIEWS OF SPECIFIC ANCHOR INSTALLATION DETAILS.
6. TWO (2) INSTALLATION ANCHORS ARE REQUIRED AT EACH ANCHOR LOCATION SHOWN ON SHEETS 4, 5 AND 6 AT 2-TRACK AND 3-TRACK HEAD, SILL AND JAMB EXTRUSIONS. FOR 4-TRACK CONFIGURATIONS, THREE (3) INSTALLATION ANCHORS ARE REQUIRED AT EACH ANCHOR LOCATION SHOWN ON SHEET 3 FOR 4-TRACK HEAD, SILL AND JAMB EXTRUSIONS. ONE (1) INSTALLATION ANCHOR IS REQUIRED AT EACH ANCHOR LOCATION SHOWN ON SHEETS 3, 4 AND 5 AT THE POCKET HOOK.
7. ANCHOR QUANTITIES AND SPACING / EMBEDMENT AND EDGE DISTANCE
 - 7.1. THE NUMBER OF INSTALLATION ANCHORS IS BASED ON THE MAXIMUM END DISTANCE (ED) AND THE MAXIMUM ON CENTER (O.C.) SPACING PLACEMENT OF ANCHORS IN ACCORDANCE WITH ELEVATIONS ON SHEET 3, 4, 5 AND 6.
 - 7.2. END DISTANCES AND O.C. SPACING LESS THAN THAT SHOWN IN THE ELEVATIONS ON SHEET 3, 4, 5 AND 6 ARE ACCEPTABLE.
 - 7.3. FOR DOOR SIZES SMALLER THAN THOSE SHOWN, ANCHOR QUANTITIES CAN BE REDUCED WHILE MAINTAINING EDGE DISTANCE AND O.C. SPACING REQUIREMENTS.
 - 7.4. ANCHOR QUANTITIES AND SPACING SHOWN ARE BASED ON THE LOWER OF ANCHOR SPACING USED IN TESTING OR REQUIRED BY LOADING AT DESIGN PRESSURE.
 - 7.5. SEE EMBEDMENT AND EDGE DISTANCE DESCRIPTION ON SHEET 2.
8. MAXIMUM ALLOWABLE SHIM THICKNESS IS 1/4 INCH. SHIM WHERE SPACE OF 1/16 INCH OR GREATER OCCURS. SHIM(S) SHALL BE CONSTRUCTED OF WOOD COMPOSITE, HIGH DENSITY PLASTIC OR SIMILAR LOAD BEARING MATERIAL.
9. FOR CONCRETE BLOCK APPLICATIONS DO NOT INSTALL INSTALLATION ANCHORS INTO MORTAR JOINTS.
10. INSTALLATION ANCHORS SHALL BE INSTALLED IN ACCORDANCE WITH ANCHOR MANUFACTURER'S INSTALLATION INSTRUCTIONS AND ANCHORS SHALL NOT BE USED IN SUBSTRATES WITH STRENGTHS LESS THAN THE MINIMUM STRENGTH SPECIFIED IN THE INSTALLATION ANCHOR SCHEDULE ON SHEET 1.



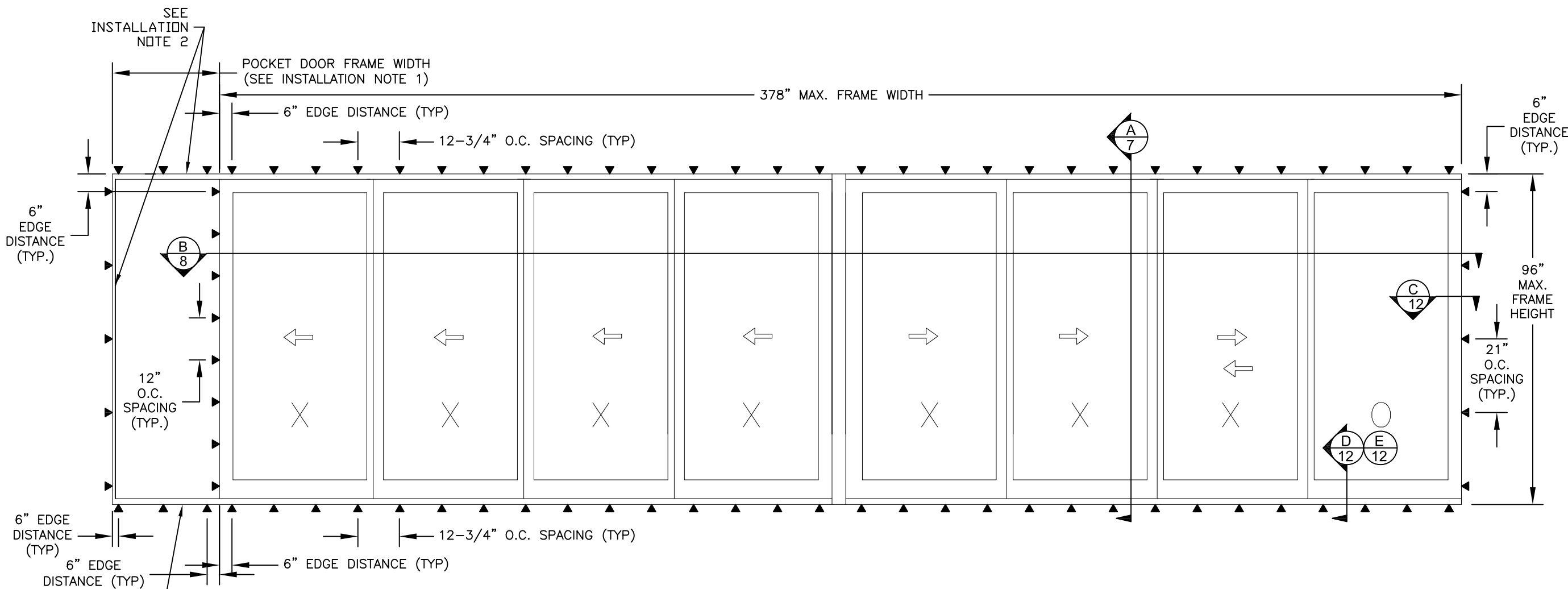
FRAME ANCHORAGE MINIMUM EMBEDMENT AND EDGE DISTANCE
THROUGH-FRAME INSTALLATION
APPLICABLE TO HEAD, SILL (SHOWN) AND JAMBS (SHOWN)

SERIES 650 MULTI-SLIDE/POCKET VINYL SLIDING GLASS DOOR INSTALLATION ANCHORAGE DETAILS		NO.	REVISION DESCRIPTION	BY	DATE

DATE: 06/05/2024	DWN BY: RJA	CHK BY: n/a	SCALE: NONE
---------------------	----------------	----------------	----------------

ROBERT J. AMORUSO, P.E.
FL P.E. No. 49752
226 N NOVA RD, NO. 142,
ORMOND BEACH, FL 32174
RJAENGPE@GMAIL.COM

FL#:	27113
PROJECT#:	ACE-2024-119
DWG/REV:	EAS2304, Rev 0
SHT:	2 of 13



SERIES 650 MULTI-SLIDE POCKET SLIDING GLASS DOOR – XXXXXXXO (SHOWN) OR OXXXXXXX, 4-TRACK SYSTEM
 EXTERIOR ELEVATION

INSTALLATION NOTES:

1. POCKET DOOR FRAMING
 - 1.1. POCKET DOOR HEAD AND SILL TRACKS TO BE INSTALLED AT SUFFICIENT LENGTH TO ACCOMMODATE FULL OPENING OF THE MULTI-SLIDE PANELS INTO THE POCKET.
 - 1.2. POCKET DOOR JAMB TRACK TO BE INSTALLED TO PROVIDE TERMINUS WHEN MULTI-SLIDE PANELS ARE OPENED INTO THE POCKET.
 - 1.3. IN LIEU OF POCKET DOOR JAMB TRACK, OTHER ACCEPTABLE AND SUITABLE TERMINUS MEASURES SUCH AS BUMPERS CAN BE USED. INSTALLERS SHALL SEEK GUIDANCE FROM MANUFACTURER AS NEEDED.
2. POCKET DOOR ANCHORAGE
 - 2.1. HEAD AND SILL TRACKS SHALL BE INSTALLED AS FOLLOWS.
 - 2.1.1. LOCATE ANCHOR PAIR MAXIMUM 6" FROM HOOK STRIP INTO POCKET ENCLOSURE AT HEAD AND SILL.
 - 2.1.2. LOCATE ANCHOR PAIR MAXIMUM 6" FROM HEAD AND SILL END IN POCKET ENCLOSURE.
 - 2.1.3. BETWEEN END ANCHOR PAIRS IN 2.1.1 AND 2.1.2 ABOVE, SPACE ADDITIONAL ANCHOR PAIRS MAXIMUM 24" O.C.
 - 2.2. JAMB TRACK SHALL BE INSTALLED AS FOLLOWS.
 - 2.2.1. LOCATE ANCHOR PAIRS MAXIMUM 6" FROM HEAD AND SILL END ON JAMB TRACK.
 - 2.2.2. BETWEEN END ANCHOR PAIRS IN 2.2.1 ABOVE, SPACE ADDITIONAL ANCHORS MAXIMUM 21" O.C.
3. ANCHOR SPACING LOCATION TOLERANCES
 - 3.1. ON CENTER (O.C.) SPACING ANCHOR LOCATION TOLERANCE IS +/- 1".
 - 3.2. EDGE ANCHORS ARE 6" MAXIMUM AS SHOWN.

NOTES:

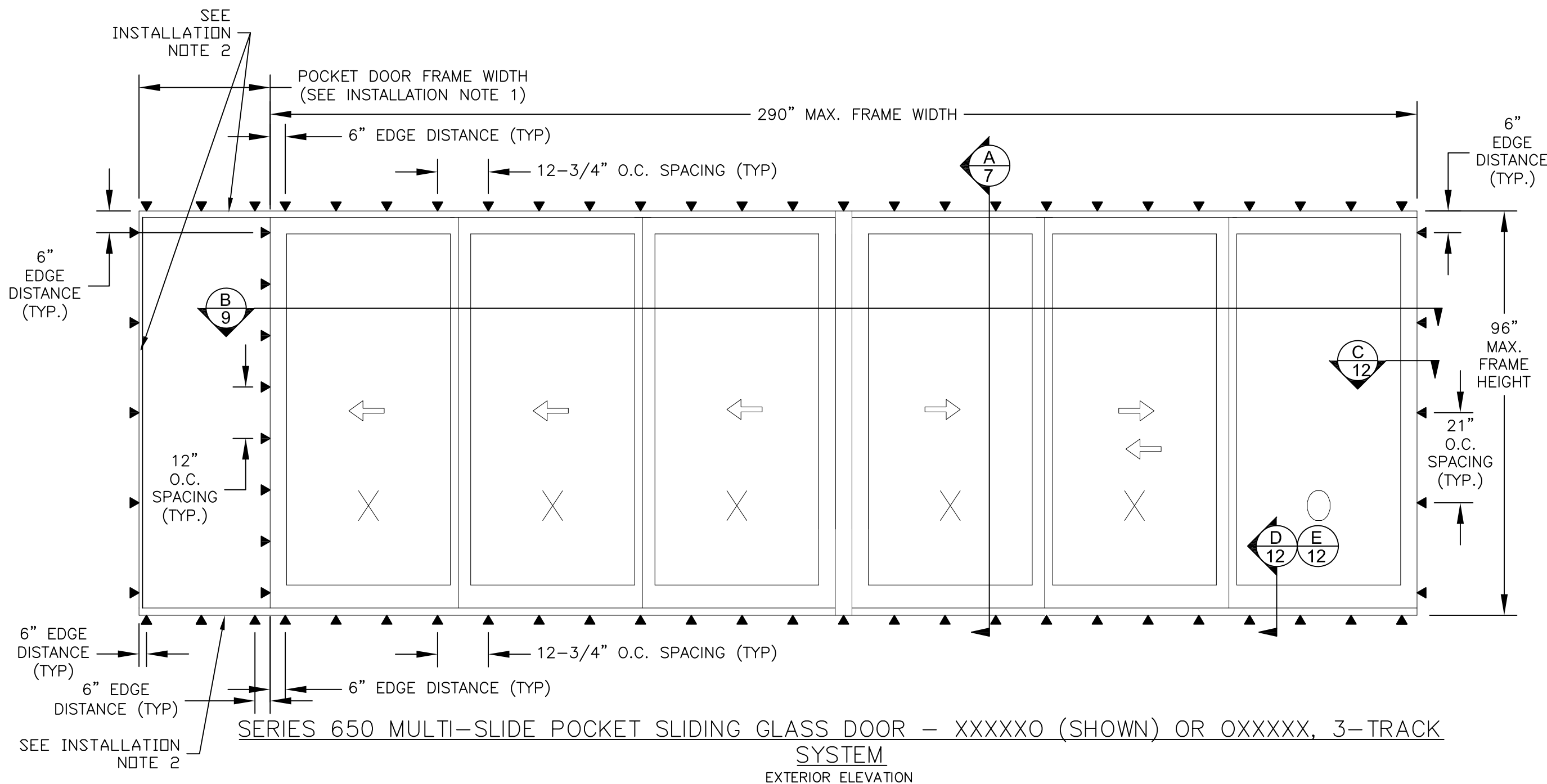
1. APPROVED DOOR TRACK AND PANEL CONFIGURATIONS
 - 1.1. POCKET DOOR SHOWN IN 4-TRACK SYSTEM BASED ON COMPARATIVE ANALYSIS PER SECTION 2411 OF FLORIDA BUILDING CODE AND MIAMI-DADE SGD CHECKLIST NO. 0210.
 - 1.1.1. 4-TRACK DOOR AREA WITHIN 1.5 TIMES THE 3-TRACK TEST FRAME AREA SHOWN ON SHEET 3 ELEVATIONS
 - 1.1.2. SEE APPROVED DOOR CONFIGURATIONS IN 1.3.
 - 1.2. POCKET MAY BE EMPLOYED AS FOLLOWS.
 - 1.2.1. EITHER SIDE OF DOOR PANELS.
 - 1.2.2. BOTH SIDE OF DOOR PANELS.
 - 1.2.3. MAY BE ELIMINATED.
 - 1.3. APPROVED DOOR CONFIGURATIONS INCLUDED BUT ARE NOT LIMITED TO THE FOLLOWING, WITH OR WITHOUT POCKETS (SEE 1.2 ABOVE).
 - 1.3.1. OXXX, XXXO, XXXX
 - 1.3.2. XXXXXXXX, OXXXXXXX
 - 1.3.3. PXXXXX, XXXXXP
 - 1.3.4. PXXXXXXXP
 - 1.4. ANY STILE CONFIGURATION SHOWN IN SECTION VIEWS ON SHEETS 6, 7, 8 AND 9 ARE ALLOWED FOR USE IN 4-TRACK CONFIGURATIONS.
2. MAXIMUM FRAME AND PANEL SIZES
 - 2.1. MAXIMUM FRAME SIZE IS 290" X 96"
 - 2.2. MAXIMUM PANEL SIZE IS 50-1/4" X 92-3/4"
 - 2.3. MAXIMUM PANEL DAYLIGHT OPENING (DLO) IS 41-1/4" X 84-1/4"

SERIES 650 MULTI-SLIDE/POCKET VINYL SLIDING GLASS DOOR INSTALLATION ANCHORAGE DETAILS				
NO.	REVISION DESCRIPTION	BY	DATE	

DATE: 06/05/2024	DWN BY: RJA	CHK BY: n/a	SCALE: NONE
---------------------	----------------	----------------	----------------

ROBERT J. AMORUSO, P.E.
 FL P.E. No. 49752
 226 N NOVA RD, NO. 142,
 ORMOND BEACH, FL 32174
 RJAENGPE@GMAIL.COM

FL#:	27113
PROJECT#:	ACE-2024-119
DWG/REV:	EAS2304, Rev 0
SHT:	3 of 13



SERIES 650 MULTI-SLIDE POCKET SLIDING GLASS DOOR – XXXXXO (SHOWN) OR OXXXXX, 3-TRACK SYSTEM
EXTERIOR ELEVATION

INSTALLATION NOTES:

1. POCKET DOOR FRAMING
 - 1.1. POCKET DOOR HEAD AND SILL TRACKS TO BE INSTALLED AT SUFFICIENT LENGTH TO ACCOMMODATE FULL OPENING OF THE MULTI-SLIDE PANELS INTO THE POCKET.
 - 1.2. POCKET DOOR JAMB TRACK TO BE INSTALLED TO PROVIDE TERMINUS WHEN MULTI-SLIDE PANELS ARE OPENED INTO THE POCKET.
 - 1.3. IN LIEU OF POCKET DOOR JAMB TRACK, OTHER ACCEPTABLE AND SUITABLE TERMINUS MEASURES SUCH AS BUMPERS CAN BE USED. INSTALLERS SHALL SEEK GUIDANCE FROM MANUFACTURER AS NEEDED.
2. POCKET DOOR ANCHORAGE
 - 2.1. HEAD AND SILL TRACKS SHALL BE INSTALLED AS FOLLOWS.
 - 2.1.1. LOCATE ANCHOR PAIR MAXIMUM 6" FROM HOOK STRIP INTO POCKET ENCLOSURE AT HEAD AND SILL.
 - 2.1.2. LOCATE ANCHOR PAIR MAXIMUM 6" FROM HEAD AND SILL END IN POCKET ENCLOSURE.
 - 2.1.3. BETWEEN END ANCHOR PAIRS IN 2.1.1 AND 2.1.2 ABOVE, SPACE ADDITIONAL ANCHOR PAIRS MAXIMUM 24" O.C.
 - 2.2. JAMB TRACK SHALL BE INSTALLED AS FOLLOWS.
 - 2.2.1. LOCATE ANCHOR PAIRS MAXIMUM 6" FROM HEAD AND SILL END ON JAMB TRACK.
 - 2.2.2. BETWEEN END ANCHOR PAIRS IN 2.2.1 ABOVE, SPACE ADDITIONAL ANCHORS MAXIMUM 21" O.C.
3. ANCHOR SPACING LOCATION TOLERANCES
 - 3.1. ON CENTER (O.C.) SPACING ANCHOR LOCATION TOLERANCE IS +/- 1".
 - 3.2. EDGE ANCHORS ARE 6" MAXIMUM AS SHOWN.

NOTES:

1. POCKET DOOR
 - 1.1. POCKET DOOR SHOWN TESTED IN 3-TRACK SYSTEM.
 - 1.1.1. ENVELOPES 2-TRACK SYSTEM.
 - 1.1.2. SEE 1.3 BELOW FOR APPROVED DOOR CONFIGURATIONS.
 - 1.2. POCKET MAY BE EMPLOYED AS FOLLOWS.
 - 1.2.1. EITHER SIDE OF DOOR PANELS.
 - 1.2.2. BOTH SIDE OF DOOR PANELS.
 - 1.2.3. MAY BE ELIMINATED.
 - 1.3. APPROVED DOOR CONFIGURATIONS, WITH OR WITHOUT POCKETS (SEE 1.2 ABOVE).
 - 1.1.1. XXXXXO, OXXXXX, XXXXXX, OXXXXO
 - 1.1.2. XXXO, OXXX, XXXX, OXXXO
 - 1.1.3. XXXO, OXXX, XXXX, OXXO
 - 1.1.4. XXO, OXX, XXX, OXO
 - 1.1.5. XO, OX, XX
2. MAXIMUM FRAME AND PANEL SIZES
 - 2.1. MAXIMUM FRAME SIZE IS 290" X 96"
 - 2.2. MAXIMUM PANEL SIZE IS 50-1/4" X 92-3/4"
 - 2.3. MAXIMUM PANEL DAYLIGHT OPENING (DLO) IS 41-1/4" X 84-1/4"

SERIES 650 MULTI-SLIDE/POCKET VINYL SLIDING GLASS DOOR INSTALLATION ANCHORAGE DETAILS				
NO.	REVISION DESCRIPTION	BY	DATE	

DATE: 06/05/2024	DWN BY: RJA	CHK BY: n/a	SCALE: NONE
---------------------	----------------	----------------	----------------

ROBERT J. AMORUSO, P.E.
FL P.E. No. 49752
226 N NOVA RD, NO. 142,
ORMOND BEACH, FL 32174
RJAENGPE@GMAIL.COM

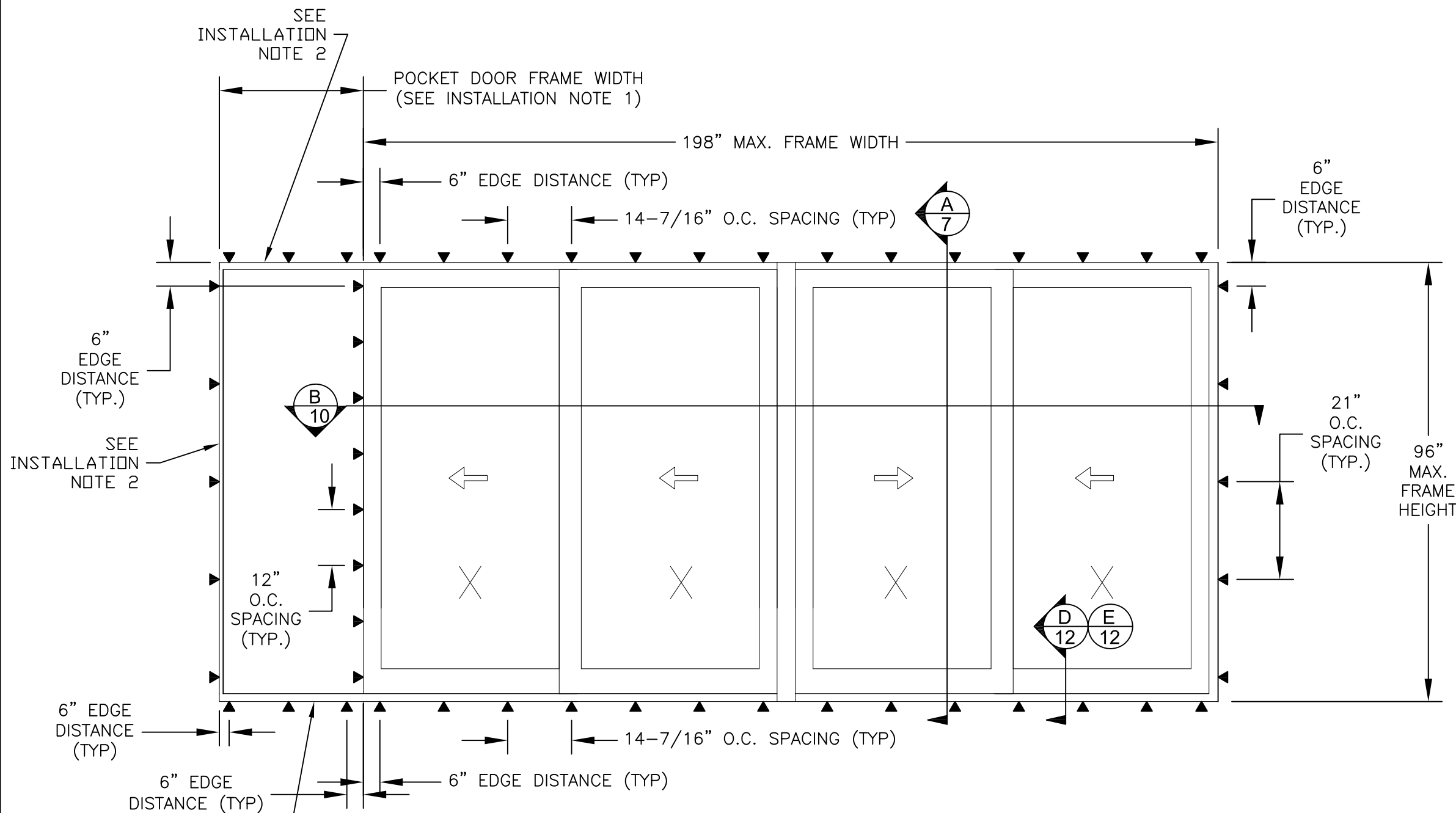
FL#:	27113
PROJECT#:	ACE-2024-119
DWG/REV:	EAS2304, Rev 0
SHT:	4 of 13

NO.	REVISION DESCRIPTION	BY	DATE

DATE: 06/05/2024	DWN BY: RJA	CHK BY: n/a	SCALE: NONE
---------------------	----------------	----------------	----------------

ROBERT J. AMORUSO, P.E.
FL P.E. No. 49752
226 N NOVA RD, NO. 142,
ORMOND BEACH, FL 32174
RJAENGPE@GMAIL.COM

FL#:	27113
PROJECT#:	ACE-2024-119
DWG/REV:	EAS2304, Rev 0
SHT:	5 of 13



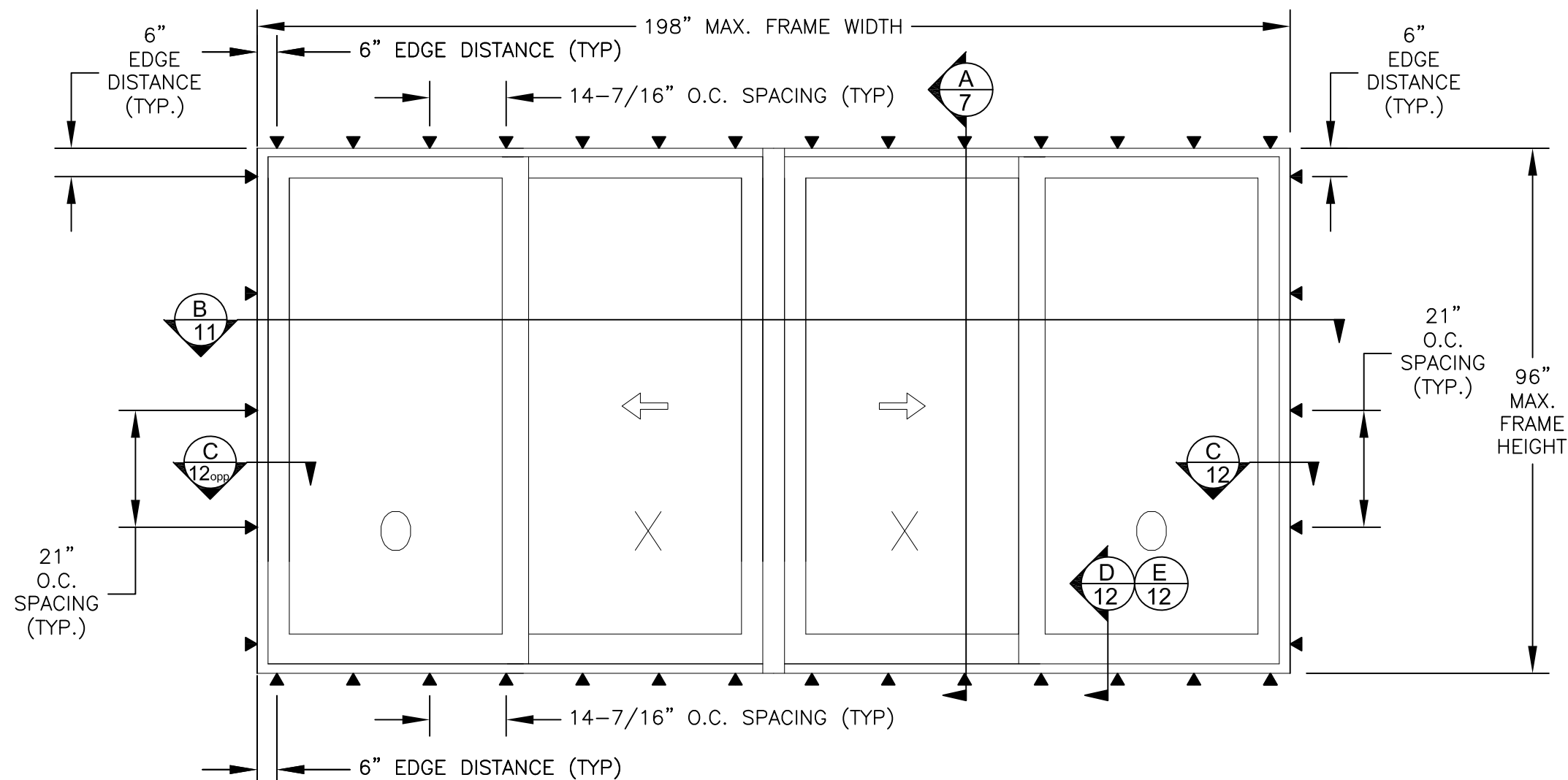
SERIES 650 MULTI-SLIDE POCKET SLIDING GLASS DOOR – XXXX, 2-TRACK SYSTEM
EXTERIOR ELEVATION

INSTALLATION NOTES:

1. POCKET DOOR FRAMING
 - 1.1. POCKET DOOR HEAD AND SILL TRACKS TO BE INSTALLED AT SUFFICIENT LENGTH TO ACCOMMODATE FULL OPENING OF THE MULTI-SLIDE PANELS INTO THE POCKET.
 - 1.2. POCKET DOOR JAMB TRACK TO BE INSTALLED TO PROVIDE TERMINUS WHEN MULTI-SLIDE PANELS ARE OPENED INTO THE POCKET.
 - 1.3. IN LIEU OF POCKET DOOR JAMB TRACK, OTHER ACCEPTABLE AND SUITABLE TERMINUS MEASURES SUCH AS BUMPERS CAN BE USED. INSTALLERS SHALL SEEK GUIDANCE FROM MANUFACTURER AS NEEDED.
2. POCKET DOOR ANCHORAGE
 - 2.1. HEAD AND SILL TRACKS SHALL BE INSTALLED AS FOLLOWS.
 - 2.1.1. LOCATE ANCHOR PAIR MAXIMUM 6" FROM HOOK STRIP INTO POCKET ENCLOSURE AT HEAD AND SILL.
 - 2.1.2. LOCATE ANCHOR PAIR MAXIMUM 6" FROM HEAD AND SILL END IN POCKET ENCLOSURE.
 - 2.1.3. BETWEEN END ANCHOR PAIRS IN 2.1.1 AND 2.1.2 ABOVE, SPACE ADDITIONAL ANCHOR PAIRS MAXIMUM 24" O.C.
 - 2.2. JAMB TRACK (IF USED) SHALL BE INSTALLED AS FOLLOWS.
 - 2.2.1. LOCATE ANCHOR PAIRS MAXIMUM 6" FROM HEAD AND SILL END ON JAMB TRACK.
 - 2.2.2. BETWEEN END ANCHOR PAIRS IN 2.2.1 ABOVE, SPACE ADDITIONAL ANCHORS MAXIMUM 21" O.C.
3. ANCHOR SPACING LOCATION TOLERANCES
 - 3.1. ON CENTER (O.C.) SPACING ANCHOR LOCATION TOLERANCE IS +/- 1".
 - 3.2. EDGE ANCHORS ARE 6" MAXIMUM AS SHOWN.

NOTES:

1. POCKET DOOR
 - 1.1. POCKET DOOR SHOWN TESTED IN 2-TRACK SYSTEM.
 - 1.1.1. SEE 1.3 BELOW FOR APPROVED DOOR CONFIGURATIONS.
 - 1.2. POCKET MAY BE EMPLOYED AS FOLLOWS.
 - 1.2.1. EITHER SIDE OF DOOR PANELS.
 - 1.2.2. BOTH SIDE OF DOOR PANELS.
 - 1.2.3. MAY BE ELIMINATED.
 - 1.3. APPROVED DOOR CONFIGURATIONS, WITH OR WITHOUT POCKETS (SEE 1.2 ABOVE).
 - 1.3.1. XXXX
 - 1.3.1. XXX
 - 1.3.2. XX
2. MAXIMUM FRAME AND PANEL SIZES
 - 2.1. MAXIMUM FRAME SIZE IS 198" X 96"
 - 2.2. MAXIMUM PANEL SIZE IS 50-1/4" X 92-3/4"
 - 2.3. MAXIMUM PANEL DAYLIGHT OPENING (DLO) IS 41-1/4" X 84-1/4"



SERIES 650 MULTI-SLIDE SLIDING GLASS DOOR – OXXO, 2-TRACK SYSTEM
 EXTERIOR ELEVATION

INSTALLATION NOTES:

1. ANCHOR SPACING LOCATION TOLERANCES
 - 1.1. ON CENTER (O.C.) SPACING ANCHOR LOCATION TOLERANCE IS +/- 1".
 - 1.2. EDGE ANCHORS ARE 6" MAXIMUM AS SHOWN.

NOTES:

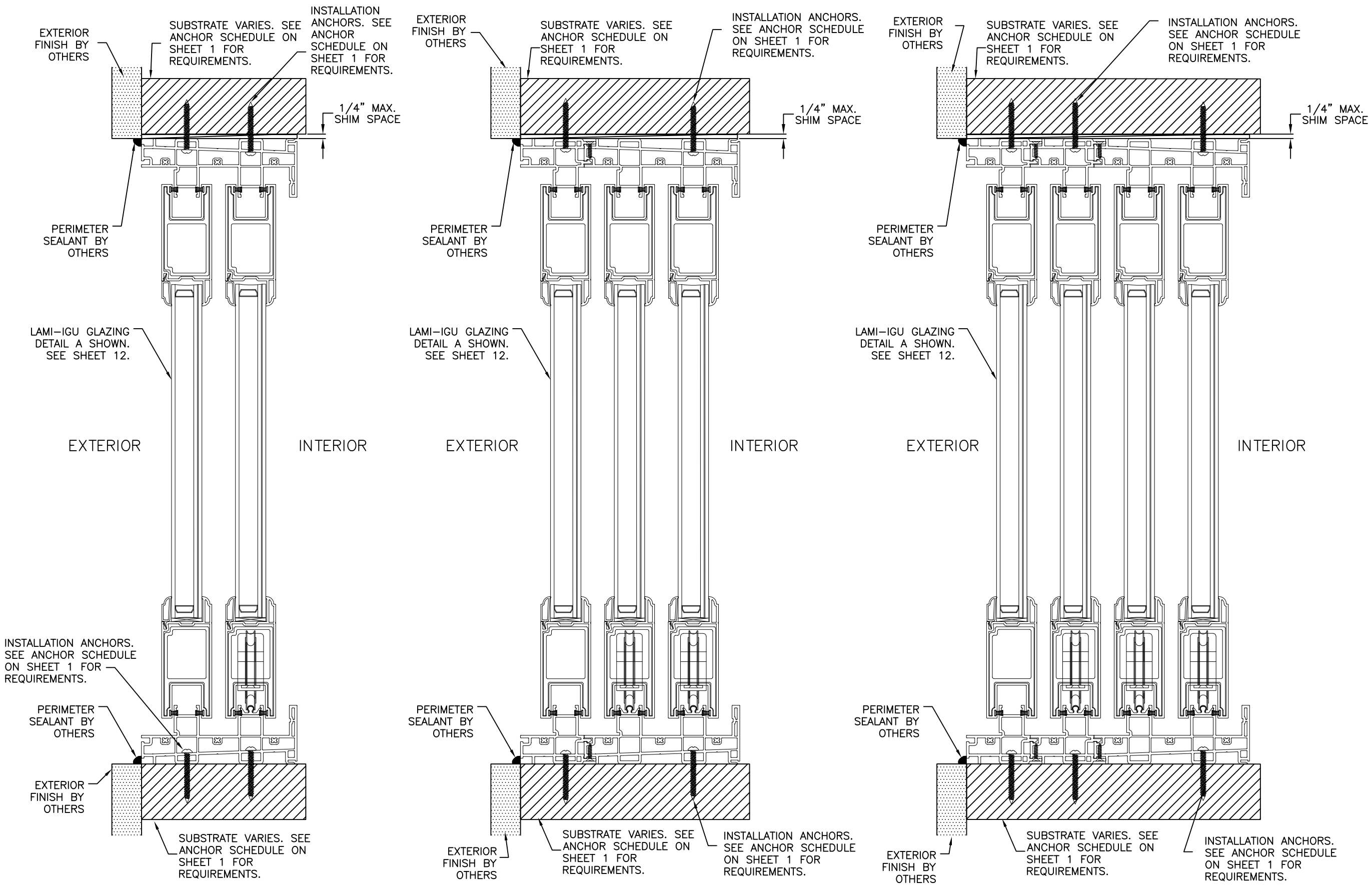
1. APPROVED DOOR CONFIGURATIONS
 - 1.1. OXXO
 - 1.2. OXO
 - 1.3. OX
 - 1.4. XO
2. MAXIMUM FRAME AND PANEL SIZES
 - 2.1. MAXIMUM FRAME SIZE IS 198" X 96"
 - 2.2. MAXIMUM PANEL SIZE IS 50-1/4" X 92-3/4"
 - 2.3. MAXIMUM PANEL DAYLIGHT OPENING (DLO) IS 41-1/4" X 84-1/4"

SERIES 650 MULTI-SLIDE/POCKET VINYL SLIDING GLASS DOOR INSTALLATION ANCHORAGE DETAILS				
NO.	REVISION DESCRIPTION	BY	DATE	

DATE: 06/05/2024	DWN BY: RJA	CHK BY: n/a	SCALE: NONE
---------------------	----------------	----------------	----------------

ROBERT J. AMORUSO, P.E.
 FL P.E. No. 49752
 226 N NOVA RD, NO. 142,
 ORMOND BEACH, FL 32174
 RJAENGPE@GMAIL.COM

FL#:	27113
PROJECT#:	ACE-2024-119
DWG/REV:	EAS2304, Rev 0
SHT:	6 of 13

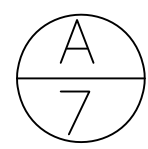


**SERIES 650 MULTI-SLIDE/POCKET VINYL SLIDING GLASS DOOR
 INSTALLATION ANCHORAGE DETAILS**

NO.	REVISION DESCRIPTION	BY	DATE

DATE: 06/05/2024	DWN BY: RJA	CHK BY: n/a	SCALE: NONE
---------------------	----------------	----------------	----------------

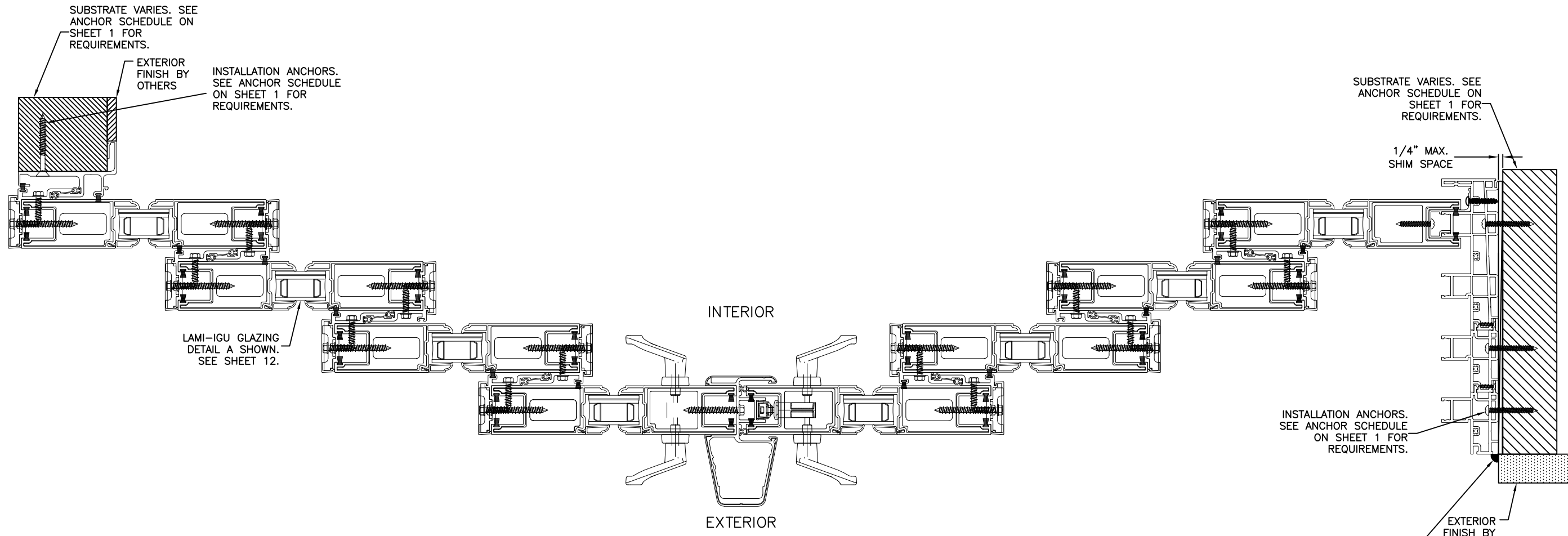
ROBERT J. AMORUSO, P.E.
 FL P.E. No. 49752
 226 N NOVA RD, NO. 142,
 ORMOND BEACH, FL 32174
 RJAENGPE@GMAIL.COM



SERIES 650 MULTI-SLIDE SLIDING GLASS DOOR
 APPLICABLE TO POCKET DOOR XXXXXO (3-TRACK) & XXXX (2-TRACK) AND BY-PASS DOOR OXXO (2-TRACK)
 APPLICABLE TO 4-TRACK POCKET AND BY-PASS DOOR CONFIGURATIONS. SEE GENERAL NOTE 10 ON SHEET 1.

VERTICAL CROSS SECTIONS
 SILL ADAPTER (RISERS) NOT SHOWN. SEE DETAILS D & E ON SHEET 12.

FL#:	27113
PROJECT#:	ACE-2024-119
DWG/REV:	EAS2304, Rev 0
SHT:	7 of 13



B

 8

 SERIES 650 MULTI-SLIDE POCKET SLIDING GLASS DOOR - XXXXXXXXO
 HORIZONTAL CROSS SECTIONS

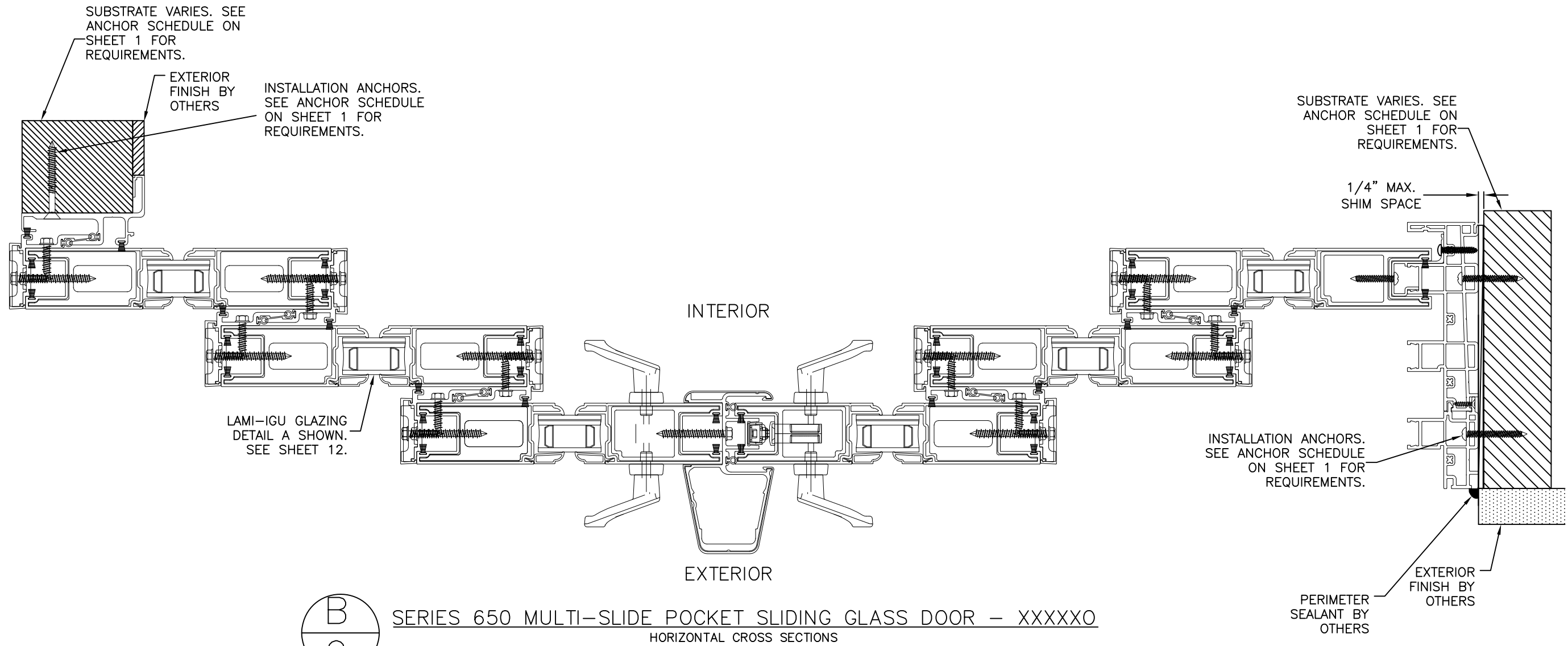
**SERIES 650 MULTI-SLIDE/POCKET VINYL SLIDING GLASS DOOR
 INSTALLATION ANCHORAGE DETAILS**

NO.	REVISION DESCRIPTION	BY	DATE

DATE: 06/05/2024	DWN BY: RJA	CHK BY: n/a	SCALE: NONE
---------------------	----------------	----------------	----------------

ROBERT J. AMORUSO, P.E.
 FL P.E. No. 49752
 226 N NOVA RD, NO. 142,
 ORMOND BEACH, FL 32174
 RJAENGPE@GMAIL.COM

FL#:	27113
PROJECT#:	ACE-2024-119
DWG/REV:	EAS2304, Rev 0
SHT:	8 of 13



B
—
9

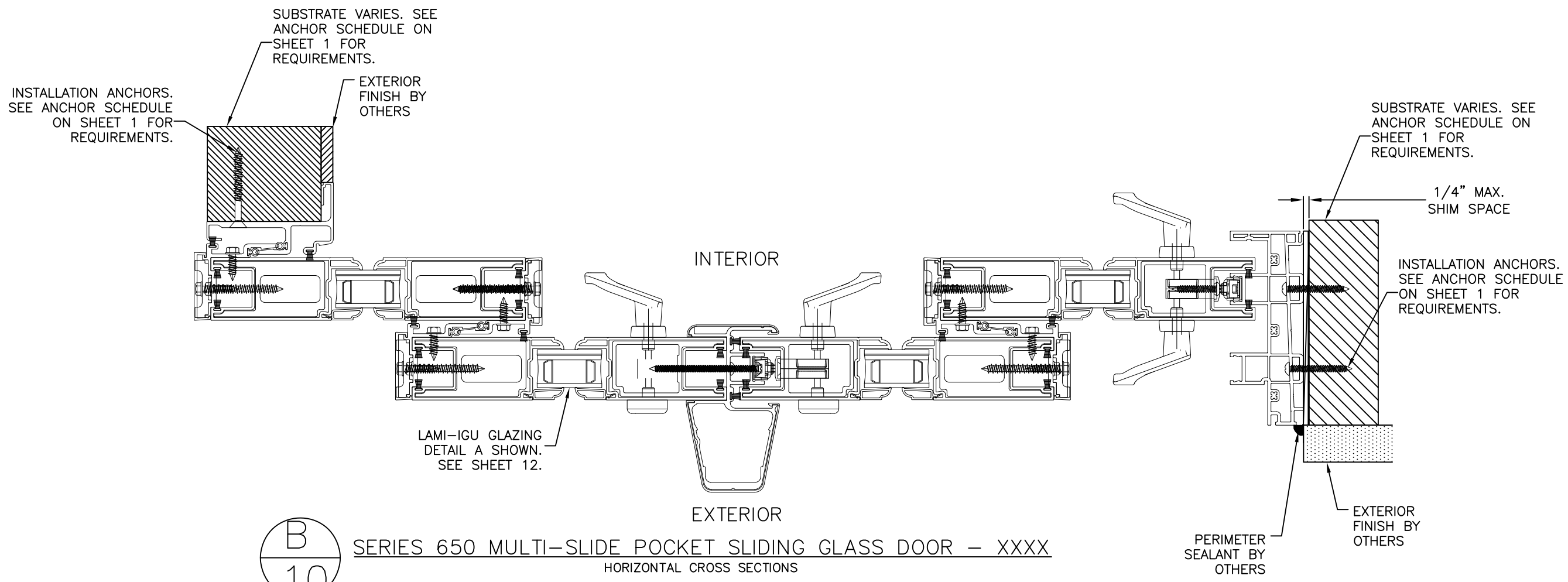
SERIES 650 MULTI-SLIDE POCKET SLIDING GLASS DOOR — XXXXXO
 HORIZONTAL CROSS SECTIONS

**SERIES 650 MULTI-SLIDE/POCKET VINYL SLIDING GLASS DOOR
 INSTALLATION ANCHORAGE DETAILS**

NO.	REVISION DESCRIPTION	BY	DATE

DATE: 06/05/2024	DWN BY: RJA	CHK BY: n/a	SCALE: NONE
---------------------	----------------	----------------	----------------

ROBERT J. AMORUSO, P.E.
 FL P.E. No. 49752
 226 N NOVA RD, NO. 142,
 ORMOND BEACH, FL 32174
 RJAENGPE@GMAIL.COM



B
10

SERIES 650 MULTI-SLIDE POCKET SLIDING GLASS DOOR - XXXX
 HORIZONTAL CROSS SECTIONS

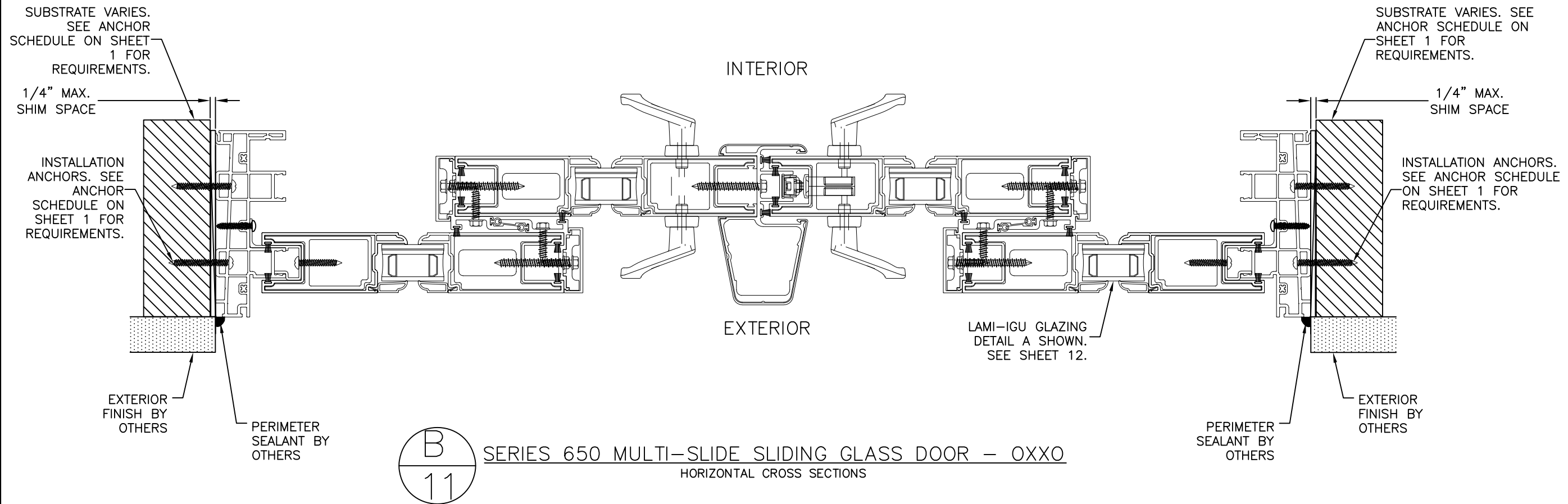
**SERIES 650 MULTI-SLIDE/POCKET VINYL SLIDING GLASS DOOR
 INSTALLATION ANCHORAGE DETAILS**

NO.	REVISION DESCRIPTION	BY	DATE

DATE: 06/05/2024	DWN BY: RJA	CHK BY: n/a	SCALE: NONE
---------------------	----------------	----------------	----------------

ROBERT J. AMORUSO, P.E.
 FL P.E. No. 49752
 226 N NOVA RD, NO. 142,
 ORMOND BEACH, FL 32174
 RJAENGPE@GMAIL.COM

FL#:	27113
PROJECT#:	ACE-2024-119
DWG/REV:	EAS2304, Rev 0
SHT:	10 of 13



B
11

SERIES 650 MULTI-SLIDE SLIDING GLASS DOOR – OXXO
 HORIZONTAL CROSS SECTIONS

**SERIES 650 MULTI-SLIDE/POCKET VINYL SLIDING GLASS DOOR
 INSTALLATION ANCHORAGE DETAILS**

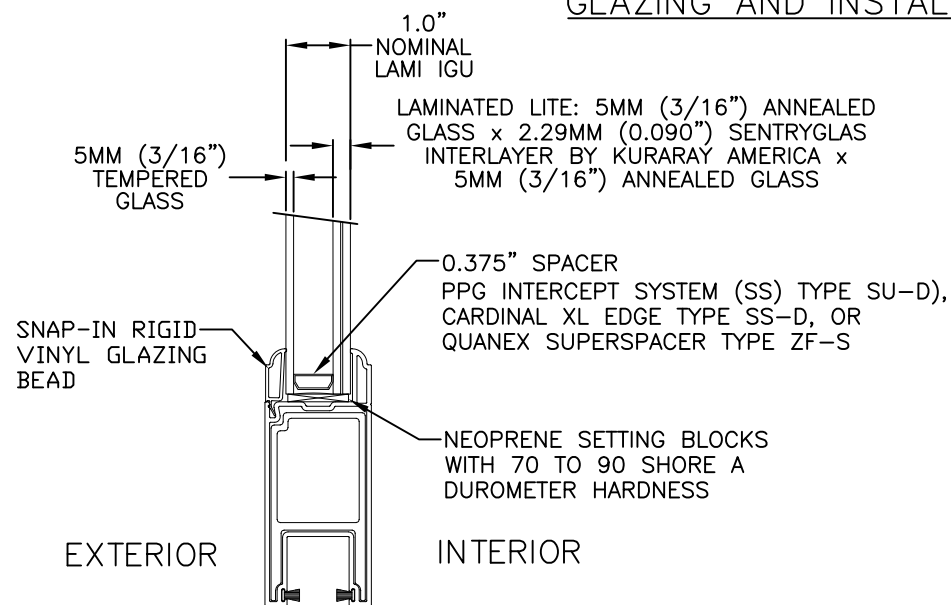
NO.	REVISION DESCRIPTION	BY	DATE

DATE: 06/05/2024	DWN BY: RJA	CHK BY: n/a	SCALE: NONE
---------------------	----------------	----------------	----------------

ROBERT J. AMORUSO, P.E.
 FL P.E. No. 49752
 226 N NOVA RD, NO. 142,
 ORMOND BEACH, FL 32174
 RJAENGPE@GMAIL.COM

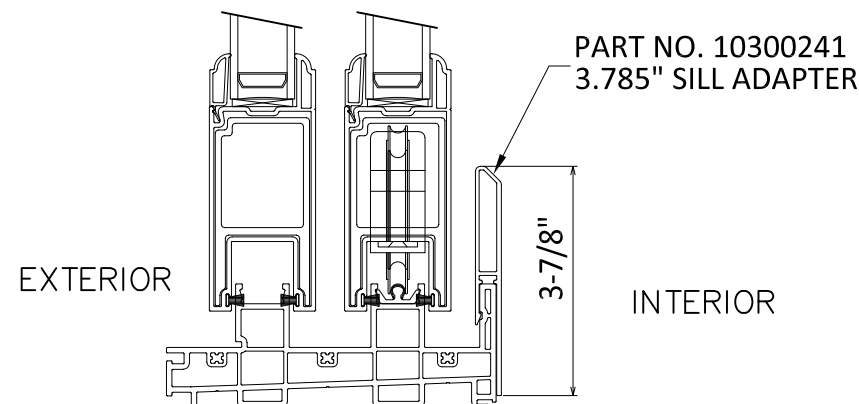
FL#:	27113
PROJECT#:	ACE-2024-119
DWG/REV:	EAS2304, Rev 0
SHT:	11 of 13

SERIES 650 MULTI-SLIDE SLIDING GLASS DOOR & POCKET SLING GLASS DOOR
GLAZING AND INSTALLATION DETAILS



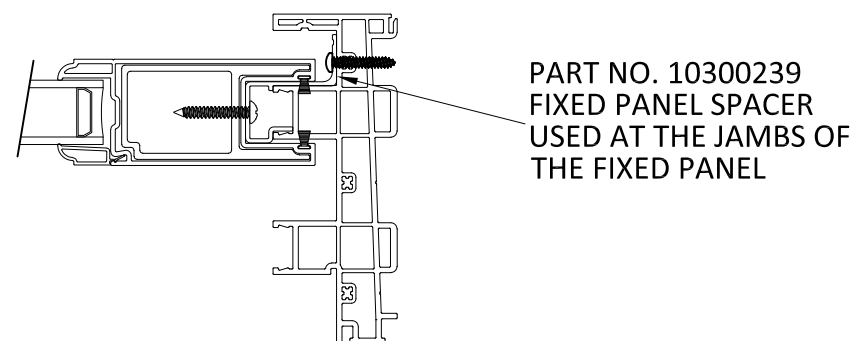
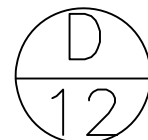
GLAZING DETAIL A
LAMINATED IGU

EXTERIOR GLAZED WITH SIKAFLEX 552 BACK-BEDDING



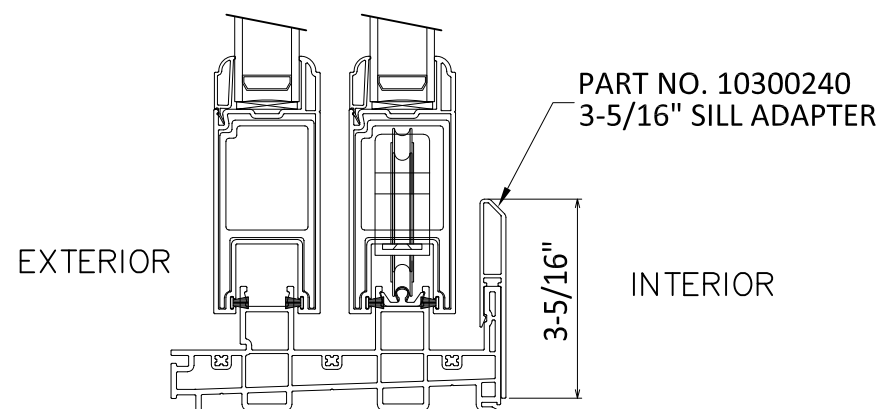
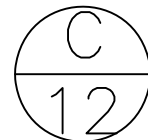
INSTALLATION DETAIL E

3-7/8" SILL ADAPTER (RISER)



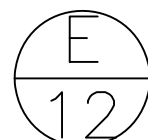
INSTALLATION DETAIL C
JAMB FIXED PANEL SPACER

No. 8 x 1-1/4" PPH SMS, 3" from each end and 12" on center into panel.
 No. 10 x 1-1/4" PPH SMS, 3" from each end and 12" on center into jamb.



INSTALLATION DETAIL F

3-5/16" SILL ADAPTER (RISER)



SERIES 650 MULTI-SLIDE/POCKET VINYL SLIDING GLASS DOOR
INSTALLATION ANCHORAGE DETAILS

NO.	REVISION DESCRIPTION	BY	DATE

DATE: 06/05/2024	DWN BY: RJA	CHK BY: n/a	SCALE: NONE
---------------------	----------------	----------------	----------------

ROBERT J. AMORUSO, P.E.
 FL P.E. No. 49752
 226 N NOVA RD, NO. 142,
 ORMOND BEACH, FL 32174
 RJAENGPE@GMAIL.COM

FL#:	27113
PROJECT#:	ACE-2024-119
DWG/REV:	EAS2304, Rev 0
SHT:	12 of 13

650 SGD (SLIDING GLASS DOOR) - BILL OF MATERIALS

EASTERN ARCHITECTURAL SYSTEMS
 A DIVISION OF
 CORNERSTONE BUILDING BRANDS
 16341 DOMESTIC AVENUE
 FORT MYERS, FL33912

ITEM	MAT. TYPE	DESCRIPTION	QUANTITY	PART NO.	FAB DWG. NO	MATERIAL	SOURCE NO.
1	VINYL	Frame Head	AS REQ'D	10001160	10001160-F-03		A
2	VINYL	Frame Sill	AS REQ'D	10001160	10001160-F-01		A
3	VINYL	Frame Jamb	AS REQ'D	10001160	10001160-F-02		A
4	VINYL	Frame Adaptor Head	AS REQ'D	10001165	10001165-F-03		A
5	VINYL	Frame Adapter Sill	AS REQ'D	10001165	10001165-F-01		A
6	VINYL	Frame Adaptor Jamb	AS REQ'D	10001165	10001165-F-02		A
7	VINYL	Frame Screw Covers Horizontal	AS REQ'D	10004723	STRAIGHT CUT		A
8	VINYL	Frame Screw Covers Vertical	AS REQ'D	10004723	STRAIGHT CUT		A
9							
10							
11	ALUMINUM	Pocket Hook, P-Hook	AS REQ'D	10300236	10300236-F-01	6063-T6	Key Mark
12	ALUMINUM	DP 60 Waterbar - Sill Riser	AS REQ'D	10300240	10300240-F-01	6063-T5	Key Mark
13	ALUMINUM	DP 80 Waterbar - Sill Riser	AS REQ'D	10300241	10300241-F-01	6063-T5	Key Mark
14	ALUMINUM	Roller Track	AS REQ'D	10300234	10300234-F-01	6063-T6	Key Mark
15	ALUMINUM	Jamb Panel Spacer - Fixed Panel	AS REQ'D	10300239	STRAIGHT CUT	6063-T6	Key Mark
16							
17							
18		P-HOOK BULB SEAL	INTERLOCKS	AP525 BULB SEAL			AMESBURY
19		Keeper	AS REQ'D	HD-205			INTERLOCK
20							
21		Weather-Stripping Pad	AS REQ'D	1.35" UltraPlug 1.5" W x .75" H x 1.3" L Clear Fin w/3M Adhesive Backing			
22							
23							
24	SCREWS	#10 x 1-1/4" PPH SMS	AS REQ'D	FRAME ASSEMBLY			
25	SCREWS	#6 x 3/4" Flat Head SMS	AS REQ'D	FRAME ADAPTER			
26	SCREWS	#8 x 1" PFH SS Tek Screws	AS REQ'D	KEEPER			
27	SCREWS	#8 X 1 1/4" FPH SS Tek	AS REQ'D	FIXED PANEL SPACER			
28							
29	ALUMINUM	Interlock Stile Reinforcement	AS REQ'D	10300232		6063-T5	
30	ALUMINUM	Lock Stile and Rail Reinforcement	AS REQ'D	10300231		6063-T5	
31	ALUMINUM	Hurricane Clip	AS REQ'D	10300264		6063-T6	

SERIES 650 MULTI-SLIDE/POCKET VINYL SLIDING GLASS DOOR INSTALLATION ANCHORAGE DETAILS	DATE				
	BY				
	REVISION DESCRIPTION				
NO.					

DATE: 06/05/2024	DWN BY: RJA	CHK BY: n/a	SCALE: NONE
---------------------	----------------	----------------	----------------

ROBERT J. AMORUSO, P.E.
 FL P.E. No. 49752
 226 N NOVA RD, NO. 142,
 ORMOND BEACH, FL 32174
 RJAENGPE@GMAIL.COM

FL#:	27113
PROJECT#:	ACE-2024-119
DWG/REV:	EAS2304, Rev 0
SHT:	13 of 13