

REVISIONS			
REV	DESCRIPTION	DATE	APPROVED
A	CHANGE MANUFACTURER'S NAME	04/10/2023	R.L.

NOTES:

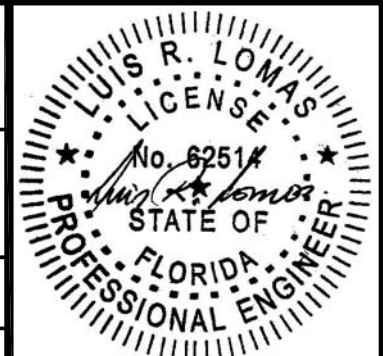
1. THE PRODUCT SHOWN HEREIN IS DESIGNED AND MANUFACTURED TO COMPLY WITH REQUIREMENTS OF THE FLORIDA BUILDING CODE, INCLUDING THE HVHZ.
2. WOOD FRAMING AND MASONRY OPENING TO BE DESIGNED AND ANCHORED TO PROPERLY TRANSFER ALL LOADS TO STRUCTURE. FRAMING AND MASONRY OPENING IS THE RESPONSIBILITY OF THE ARCHITECT OR ENGINEER OF RECORD.
3. WHERE SHIM OR BUCK THICKNESS IS LESS THAN 1-1/2" UNITS MUST BE ANCHORED THROUGH THE FRAME IN ACCORDANCE WITH MANUFACTURER'S PUBLISHED INSTALLATION INSTRUCTIONS. ANCHORS SHALL BE SECURELY FASTENED DIRECTLY INTO MASONRY, CONCRETE OR OTHER STRUCTURAL SUBSTRATE MATERIAL.
4. WHERE WOOD BUCK THICKNESS IS 1-1/2" OR GREATER, BUCK SHALL BE SECURELY FASTENED TO MASONRY, CONCRETE OR OTHER STRUCTURAL SUBSTRATE. UNITS MAY BE ANCHORED THROUGH FRAME TO SECURED WOOD BUCK IN ACCORDANCE WITH MANUFACTURER'S PUBLISHED INSTALLATION INSTRUCTIONS.
5. WHERE 1X BUCK IS NOT USED DISSIMILAR MATERIALS MUST BE SEPARATED WITH APPROVED COATING OR MEMBRANE. SELECTION OF COATING OR MEMBRANE IS THE RESPONSIBILITY OF THE ARCHITECT OR ENGINEER OF RECORD.
6. BUCKS SHALL EXTEND BEYOND UNIT FRAME INTERIOR FACE SO THAT FULL FRAME SUPPORT IS PROVIDED.
7. FOR FIN INSTALLATION SHIM AS NEEDED. FOR FRAME INSTALLATION SHIM AS REQUIRED AT EACH ANCHOR LOCATION WITH LOAD BEARING SHIM. SHIM WHERE SPACE OF 1/16" OR GREATER OCCURS. MAXIMUM ALLOWABLE SHIM STACK TO BE 1/4".
8. SHIMS SHALL BE LOCATED, APPLIED AND MADE FROM MATERIALS AND THICKNESS CAPABLE OF SUSTAINING APPLICABLE LOADS.
9. WIND LOAD DURATION FACTOR Cd=1.6 WAS USED FOR WOOD ANCHOR CALCULATIONS.
10. FRAME MATERIAL: ALUMINUM 6063-T5.
11. UNITS MUST BE GLAZED PER ASTM E1300, SEE SHEET 2 FOR GLASS DETAILS.
12. APPROVED IMPACT PROTECTIVE SYSTEM IS NOT REQUIRED FOR THIS PRODUCT IN WIND BORNE DEBRIS REGIONS.
13. FOR ANCHORING THROUGH FRAME INTO WOOD FRAMING OR 2X BUCK USE #14 WOOD SCREWS WITH SUFFICIENT LENGTH TO ACHIEVE A 1 7/16" MINIMUM EMBEDMENT INTO SUBSTRATE. LOCATE ANCHORS AS SHOWN IN ELEVATIONS AND INSTALLATION DETAILS.

14. FOR ANCHORING THROUGH FRAME INTO MASONRY/CONCRETE USE 1/4" TAPCONS WITH SUFFICIENT LENGTH TO ACHIEVE A 1 1/4" MINIMUM EMBEDMENT INTO SUBSTRATE WITH 2" MINIMUM EDGE DISTANCE. LOCATE ANCHORS AS SHOWN IN ELEVATIONS AND INSTALLATION DETAILS.
15. FOR ANCHORING THROUGH FRAME INTO METAL STRUCTURE USE #14 SMS OR SELF DRILLING SCREWS WITH SUFFICIENT LENGTH TO ACHIEVE 3 THREADS MINIMUM BEYOND STRUCTURE INTERIOR WALL. LOCATE ANCHORS AS SHOWN IN ELEVATIONS AND INSTALLATION DETAILS.
16. ALL FASTENERS TO BE CORROSION RESISTANT.
17. INSTALLATION ANCHORS SHALL BE INSTALLED IN ACCORDANCE WITH ANCHOR MANUFACTURER'S INSTALLATION INSTRUCTIONS AND ANCHORS SHALL NOT BE USED IN SUBSTRATES WITH STRENGTHS LESS THAN THE MINIMUM STRENGTH SPECIFIED BELOW:
 - A. WOOD: MINIMUM SPECIFIC GRAVITY OF G=0.42
 - B. CONCRETE: MINIMUM COMPRESSIVE STRENGTH OF 2,000 PSI.
 - C. MASONRY: HOLLOW/FILLED BLOCK PER ASTM C90 WITH Fm=2,000PSI MINIMUM.
 - D. METAL STRUCTURE: STEEL 18GA (.048") FY=33KSI/FU=52KSI OR ALUMINUM 6063-T5 FU=30KSI 1/8" THICK MINIMUM

TABLE OF CONTENTS	
SHEET NO.	DESCRIPTION
1	NOTES
2	ELEVATION AND GLAZING DETAIL
3 - 5	INSTALLATION DETAILS
6	COMPONENTS

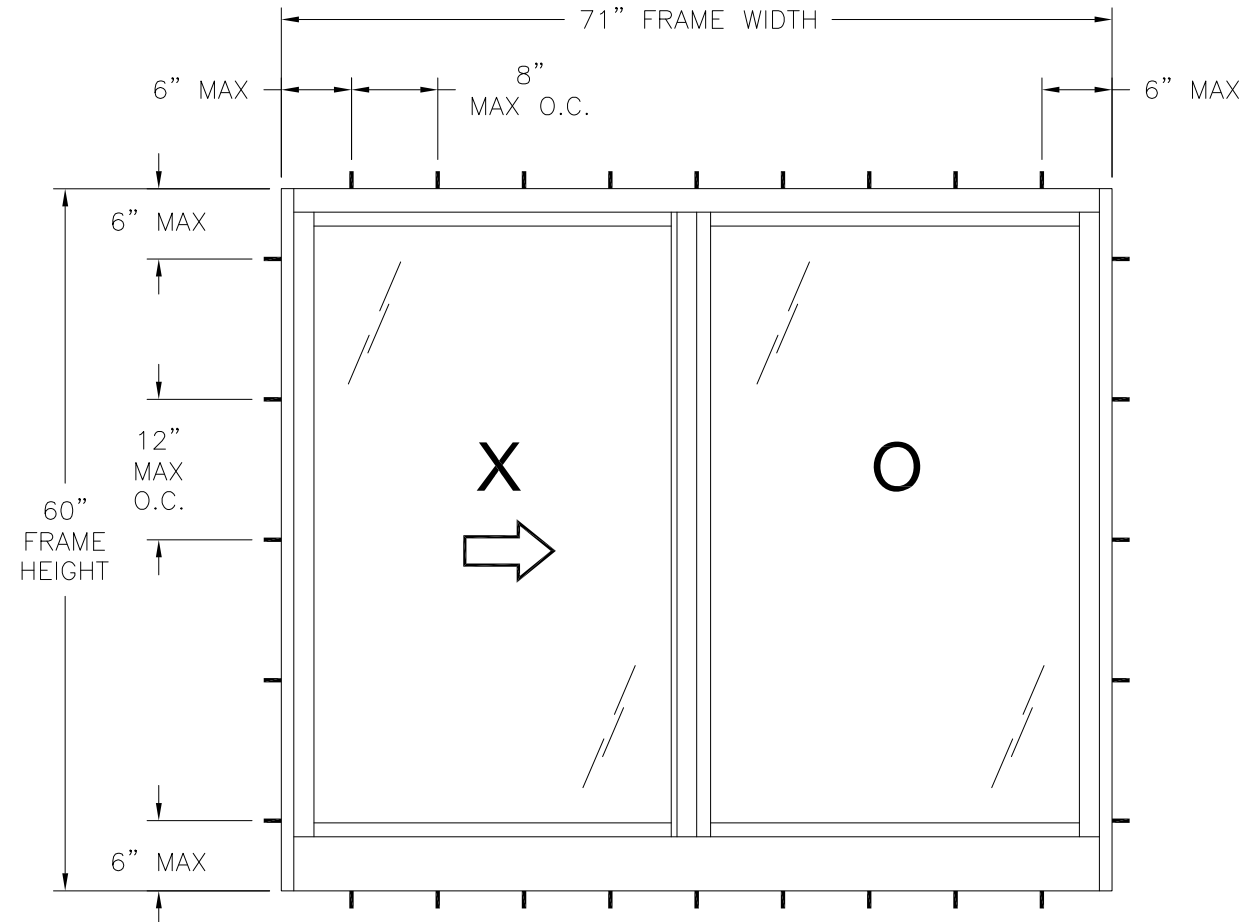
U.S. ALUMINUM 950 SOLON RD. WAXAHACHIE, TX 75165		
IW8200 HORIZONTAL SLIDING WINDOW LARGE MISSILE IMPACT NOTES		
DRAWN: A.R.	DWG NO. 08-03201	REV A
SCALE NTS	DATE 11/13/17	SHEET 1 OF 6
L. ROBERTO LOMAS P.E. 400 S. PALM AVE, INDIALANTIC, FL 32903 434-688-0609 rllomas@lrlomaspe.com		

SIGNED: 04/10/2023



Luis R. Lomas P.E.
FL No.: 62514

REVISIONS			
REV	DESCRIPTION	DATE	APPROVED
A	CHANGE MANUFACTURER'S NAME	04/10/2023	R.L.



IW8200 HORIZONTAL SLIDING WINDOW
EXTERIOR VIEW

DESIGN PRESSURE RATING	IMPACT RATING
±100.0PSF	LARGE AND SMALL MISSILE IMPACT

MISSILE LEVEL D, WIND ZONE 4

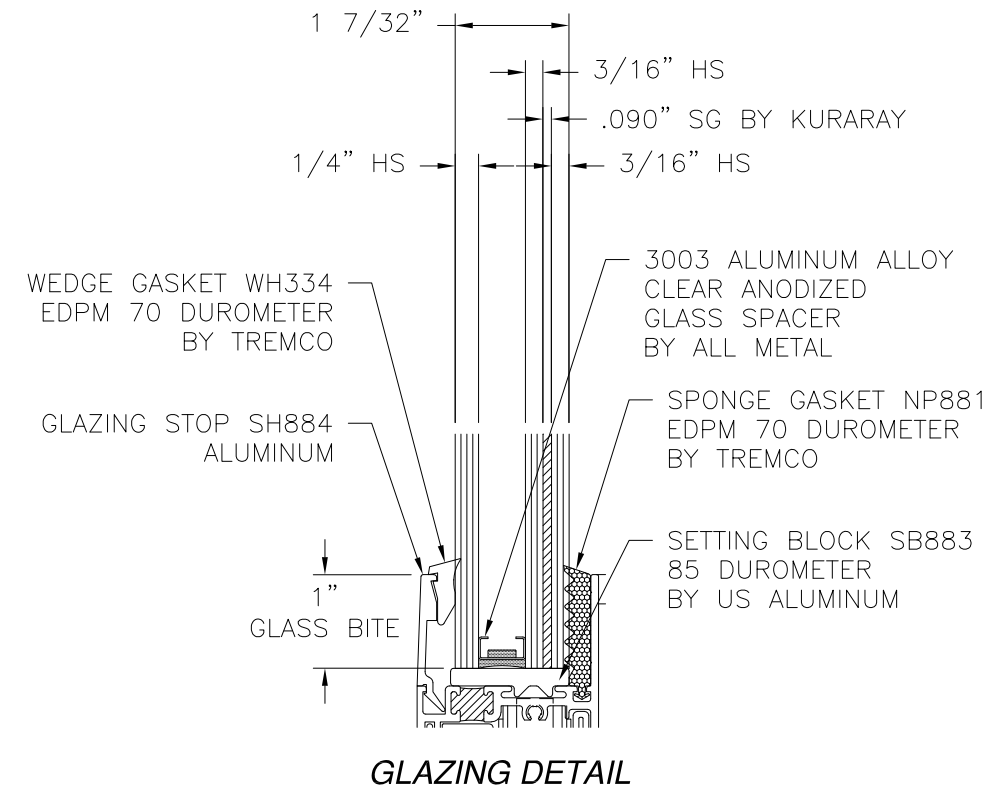
71" x 60" UNIT SHOWN. OTHER SIZES APPROVED AS LONG AS FRAME AREA DOES NOT EXCEED 29.6 FT²

NOTES:

- SASH SIZE: 32 1/4" x 55 1/2"
- D.L.O.: 31 17/32" x 50 15/16"

HARDWARE SCHEDULE

A.	(1) AUTO LOCK HARDWARE SET AT MID-SPAN OF SASH INTERLOCK
B.	(1) KEEPER AT FIXED INTERLOCK



GLAZING DETAIL

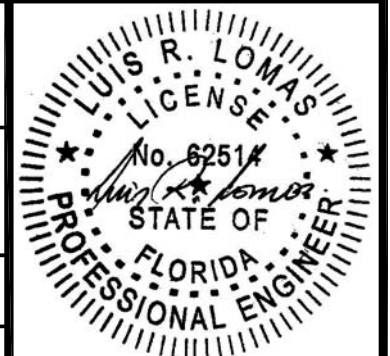
SIGNED: 04/10/2023

U.S. ALUMINUM
950 SOLON RD.
WAXAHACHIE, TX 75165

IW8200 HORIZONTAL SLIDING WINDOW
LARGE MISSILE IMPACT
ELEVATION AND GLAZING DETAIL

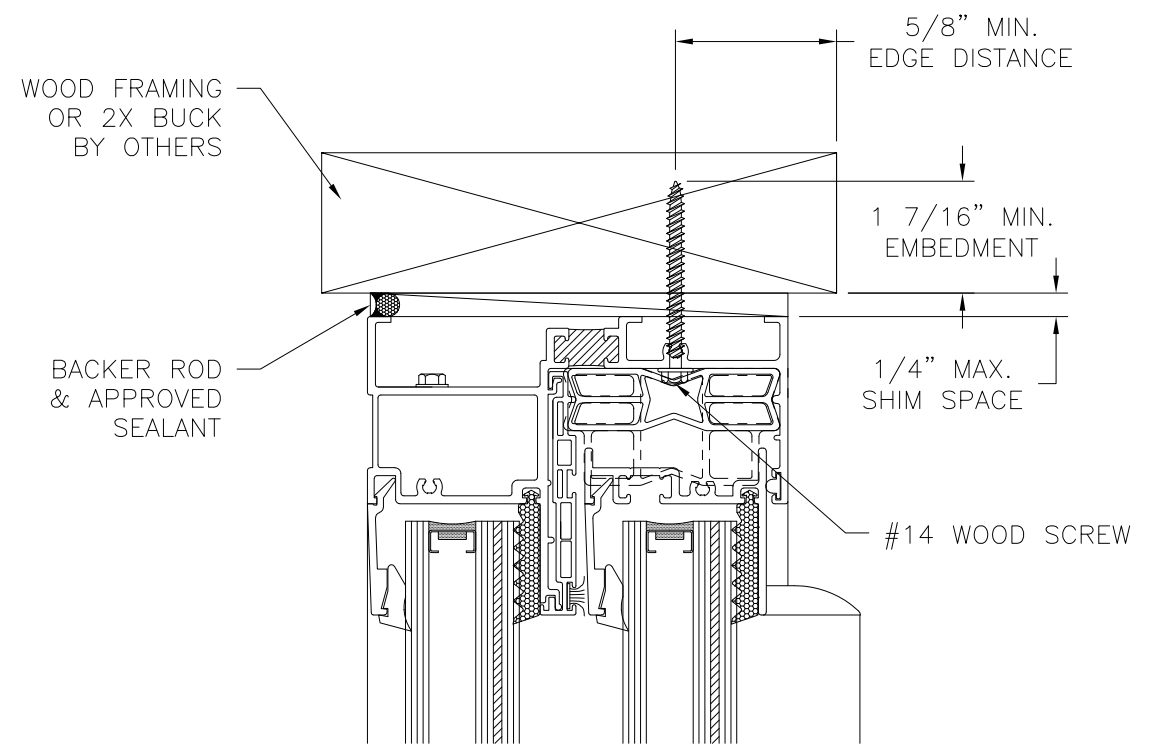
DRAWN: A.R.	DWG NO. 08-03201	REV A
SCALE NTS	DATE 11/13/17	SHEET 2 OF 6

L. ROBERTO LOMAS P.E.
400 S. PALM AVE, INDIALANTIC, FL 32903
434-688-0609 rllomas@rlomaspe.com



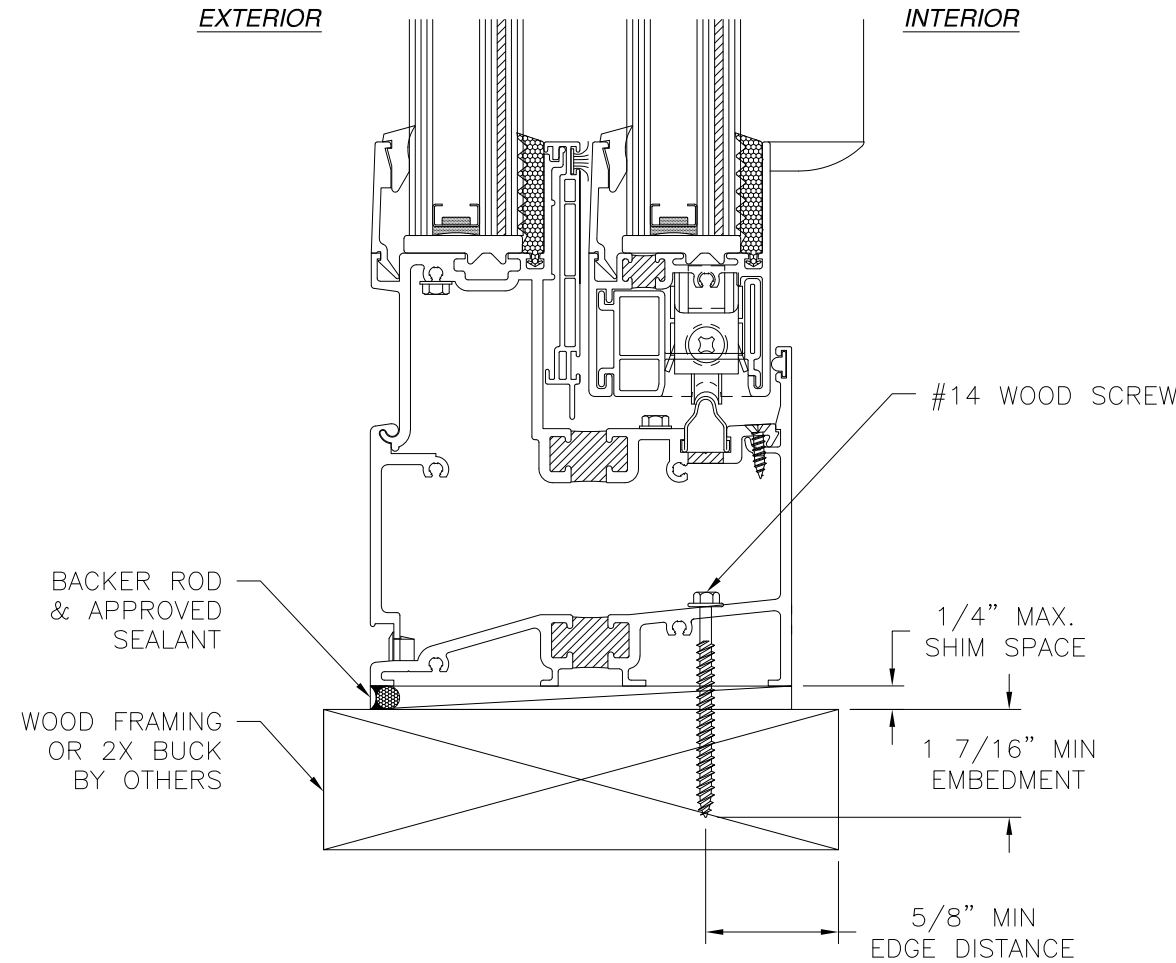
Luis R. Lomas P.E.
FL No.: 62514

REVISIONS			
REV	DESCRIPTION	DATE	APPROVED
A	CHANGE MANUFACTURER'S NAME	04/10/2023	R.L.

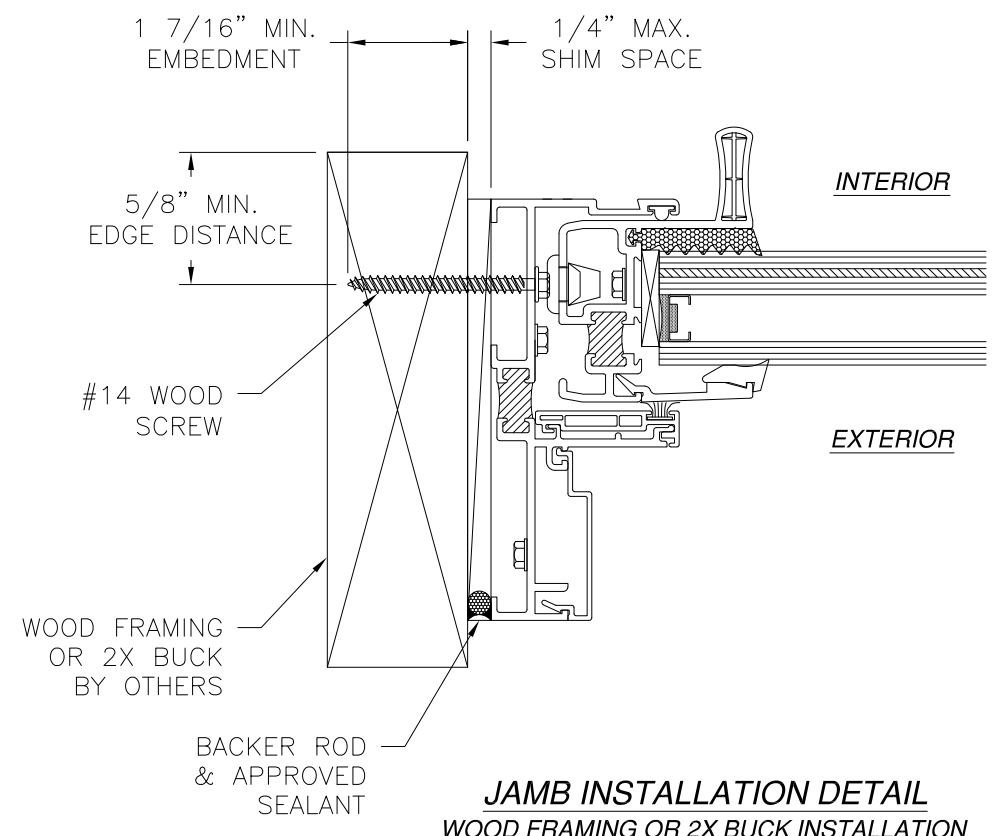


EXTERIOR

INTERIOR



VERTICAL CROSS SECTION
WOOD FRAMING OR 2X BUCK INSTALLATION

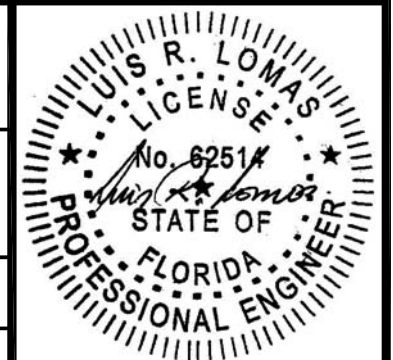


JAMB INSTALLATION DETAIL
WOOD FRAMING OR 2X BUCK INSTALLATION

- NOTES:**
1. INTERIOR AND EXTERIOR FINISHES, BY OTHERS, NOT SHOWN FOR CLARITY.
 2. PERIMETER AND JOINT SEALANT BY OTHERS TO BE DESIGNED IN ACCORDANCE WITH ASTM E2112

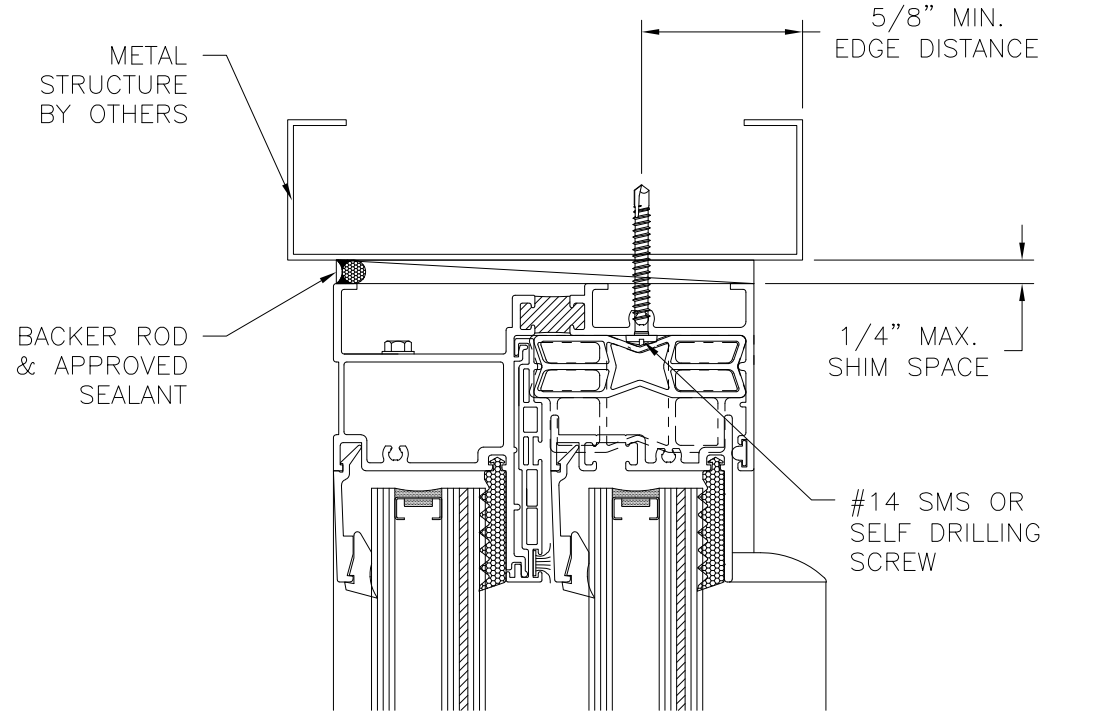
SIGNED: 04/10/2023

U.S. ALUMINUM 950 SOLON RD. WAXAHACHIE, TX 75165		
IW8200 HORIZONTAL SLIDING WINDOW LARGE MISSILE IMPACT INSTALLATION DETAILS		
DRAWN: A.R.	DWG NO. 08-03201	REV A
SCALE NTS	DATE 11/13/17	SHEET 3 OF 6
L. ROBERTO LOMAS P.E. 400 S. PALM AVE, INDIALANTIC, FL 32903 434-688-0609 rllomas@rlomaspe.com		



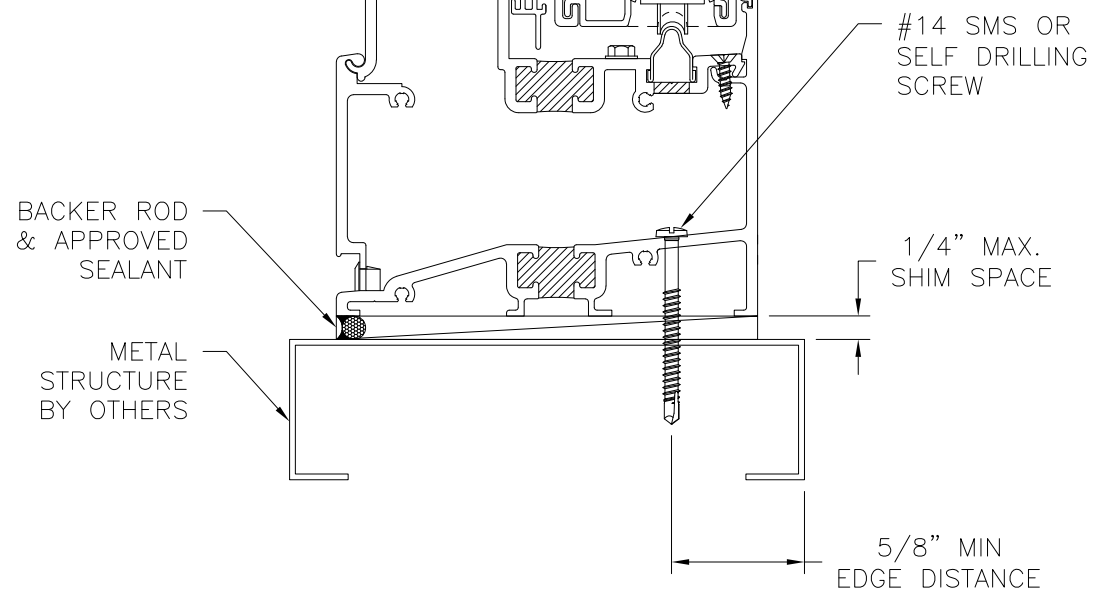
Luis R. Lomas P.E.
FL No.: 62514

REVISIONS			
REV	DESCRIPTION	DATE	APPROVED
A	CHANGE MANUFACTURER'S NAME	04/10/2023	R.L.

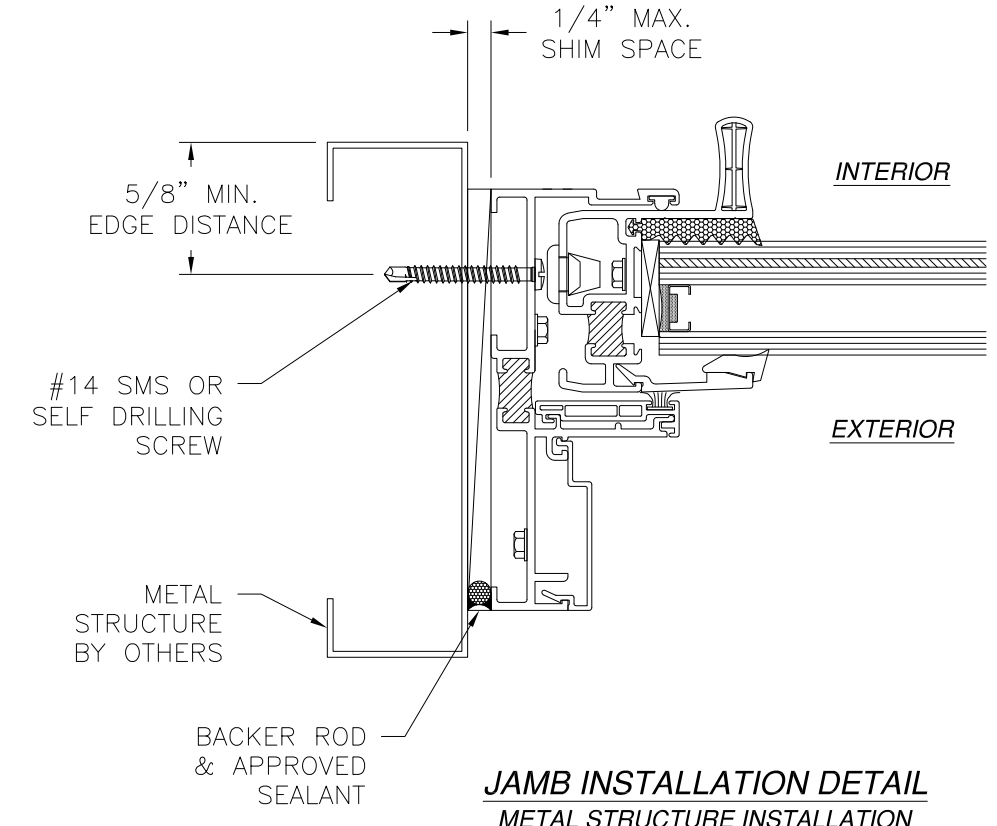


EXTERIOR

INTERIOR



VERTICAL CROSS SECTION
METAL STRUCTURE INSTALLATION



JAMB INSTALLATION DETAIL
METAL STRUCTURE INSTALLATION

- NOTES:**
- INTERIOR AND EXTERIOR FINISHES, BY OTHERS, NOT SHOWN FOR CLARITY.
 - PERIMETER AND JOINT SEALANT BY OTHERS TO BE DESIGNED IN ACCORDANCE WITH ASTM E2112

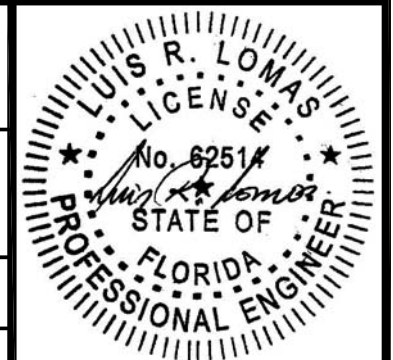
U.S. ALUMINUM
950 SOLON RD.
WAXAHACHIE, TX 75165

IW8200 HORIZONTAL SLIDING WINDOW
LARGE MISSILE IMPACT
INSTALLATION DETAILS

DRAWN: A.R.	DWG NO. 08-03201	REV A
SCALE NTS	DATE 11/13/17	SHEET 4 OF 6

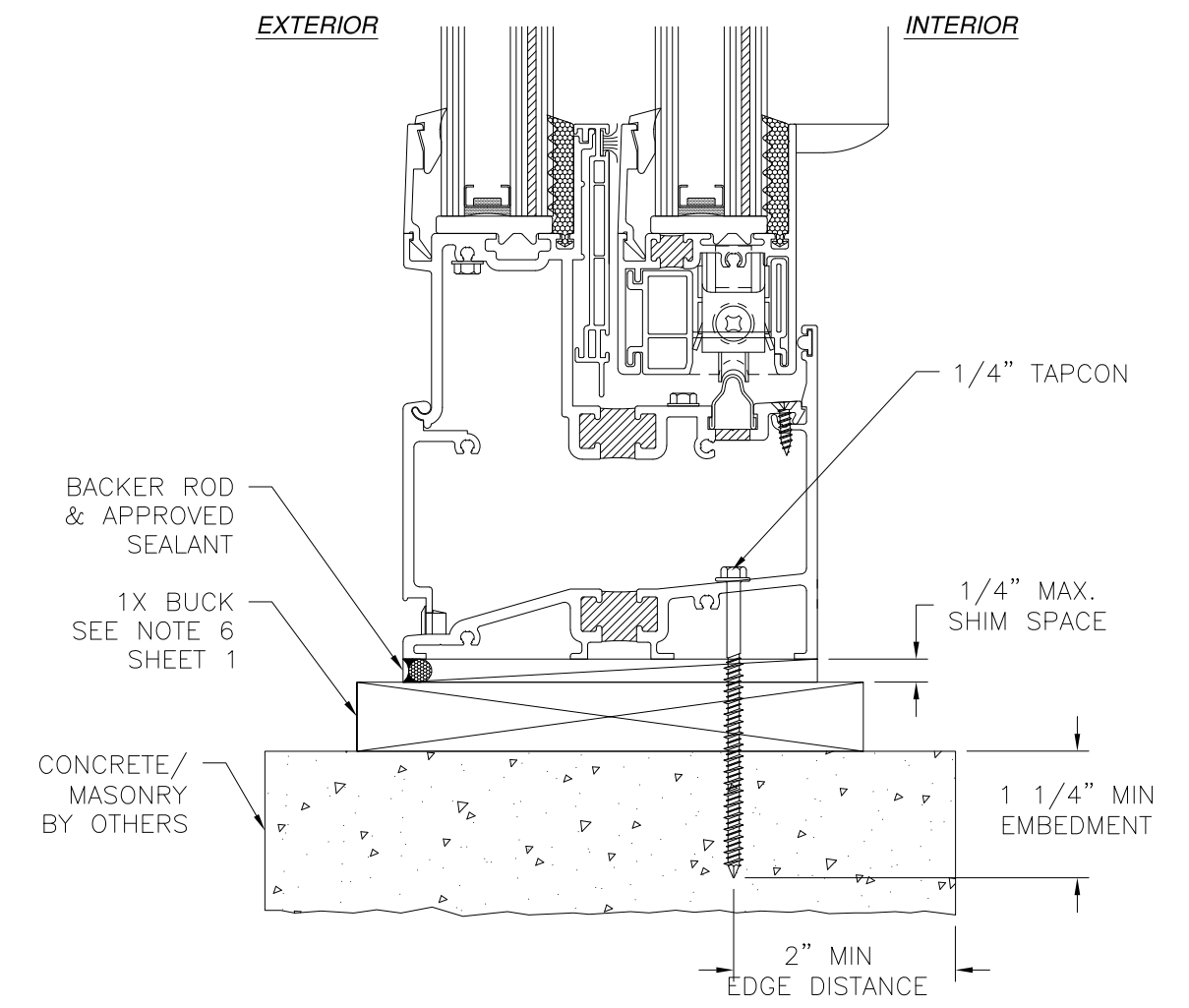
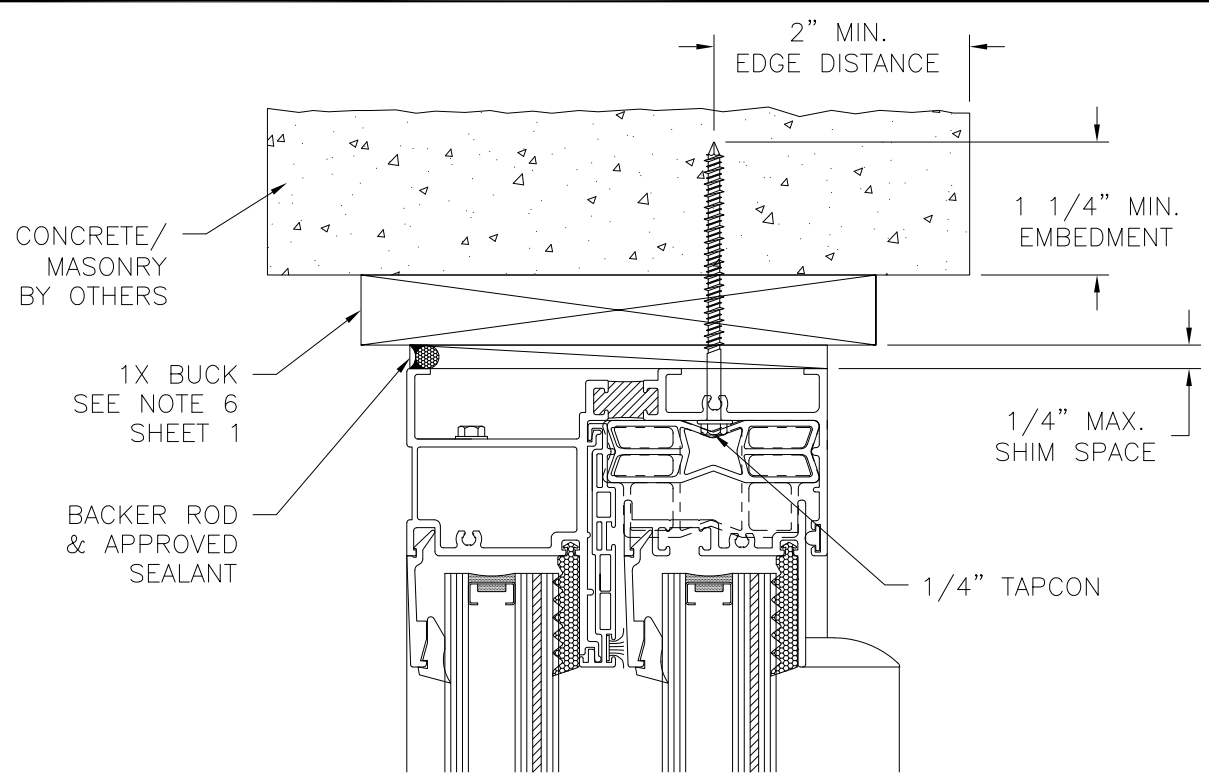
L. ROBERTO LOMAS P.E.
400 S. PALM AVE, INDIALANTIC, FL 32903
434-688-0609 rllomas@rlomaspe.com

SIGNED: 04/10/2023

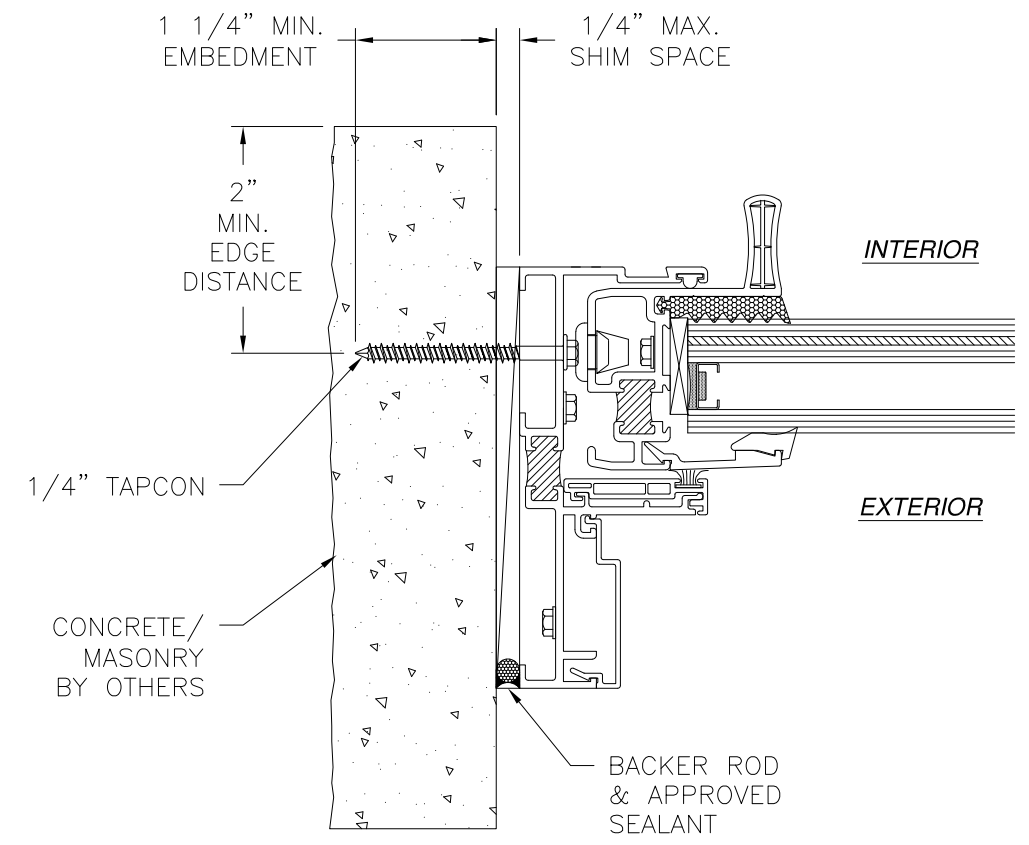


Luis R. Lomas P.E.
FL No.: 62514

REVISIONS			
REV	DESCRIPTION	DATE	APPROVED
A	CHANGE MANUFACTURER'S NAME	04/10/2023	R.L.



VERTICAL CROSS SECTION
 CONCRETE/MASONRY INSTALLATION WITH 1X BUCK INSTALLATION
 FOR CONCRETE/MASONRY WITHOUT 1X BUCK REFER TO JAMB
 INSTALLATION DETAILS



JAMB INSTALLATION DETAIL
 CONCRETE/MASONRY WITHOUT 1X BUCK INSTALLATION
 FOR CONCRETE/MASONRY WITH 1X BUCK REFER
 TO HEAD AND SILL INSTALLATION DETAILS

- NOTES:**
- INTERIOR AND EXTERIOR FINISHES, BY OTHERS, NOT SHOWN FOR CLARITY.
 - PERIMETER AND JOINT SEALANT BY OTHERS TO BE DESIGNED IN ACCORDANCE WITH ASTM E2112

SIGNED: 04/10/2023

U.S. ALUMINUM
 950 SOLON RD.
 WAXAHACHIE, TX 75165

IW8200 HORIZONTAL SLIDING WINDOW
 LARGE MISSILE IMPACT
 INSTALLATION DETAILS

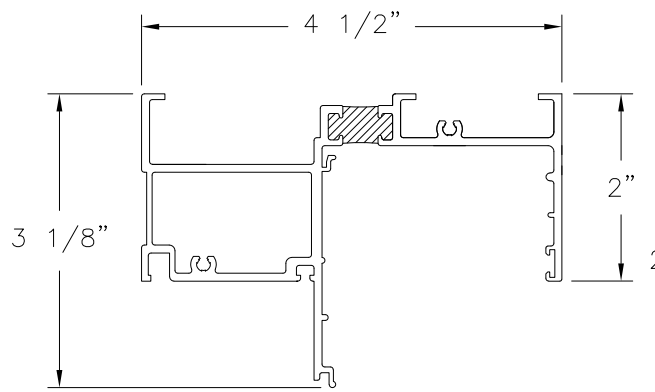
DRAWN: A.R.	DWG NO. 08-03201	REV A
SCALE NTS	DATE 11/13/17	SHEET 5 OF 6

L. ROBERTO LOMAS P.E.
 400 S. PALM AVE, INDIALANTIC, FL 32903
 434-688-0609 rllomas@rlomaspe.com

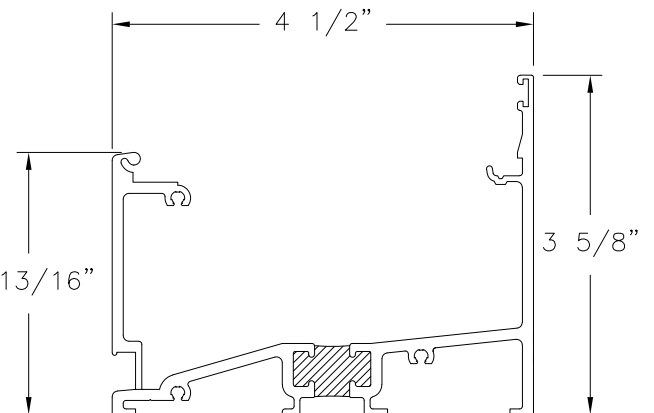


Luis R. Lomas P.E.
 FL No.: 62514

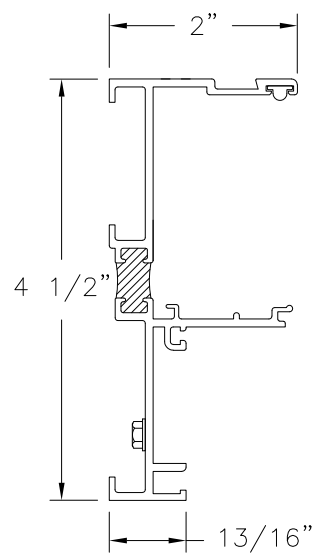
REVISIONS			
REV	DESCRIPTION	DATE	APPROVED
A	CHANGE MANUFACTURER'S NAME	04/10/2023	R.L.



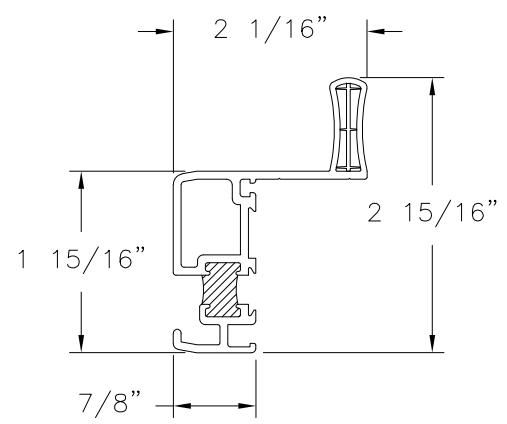
HEAD EXTRUSION HS862
ALUMINUM 6063-T5



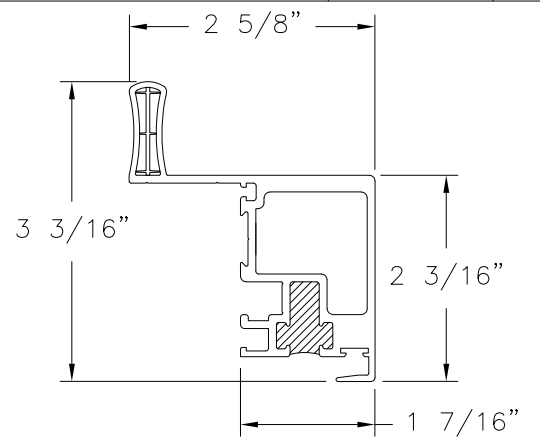
SILL EXTRUSION HS863
ALUMINUM 6063-T5



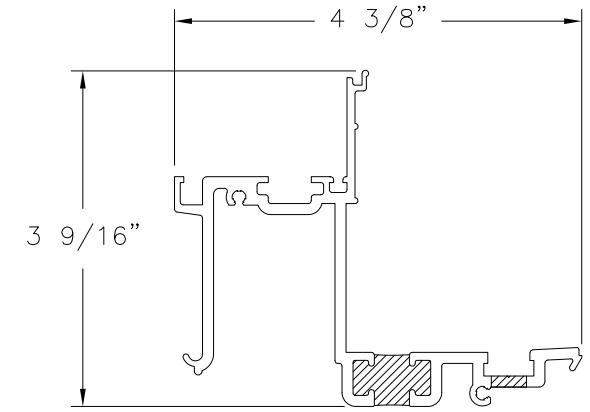
JAMB EXTRUSION HS864
ALUMINUM 6063-T5



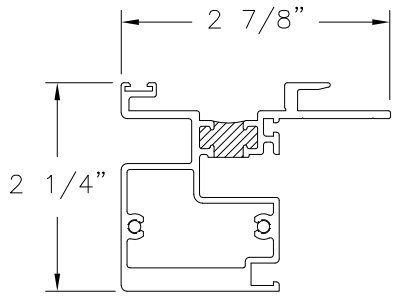
JAMB STILE EXTRUSION HS815
ALUMINUM 6063-T5



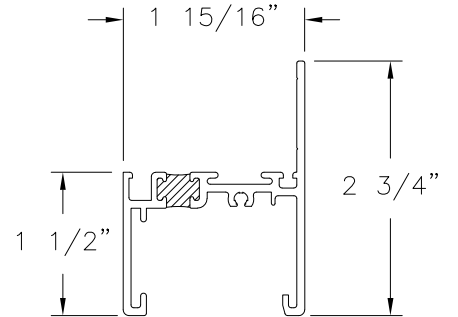
INTERLOCKER HS854
ALUMINUM 6063-T5



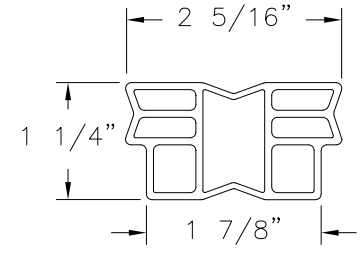
SILL INSERT HS804
ALUMINUM 6063-T5



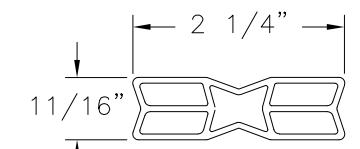
MULLION EXTRUSION SH866
ALUMINUM 6063-T5



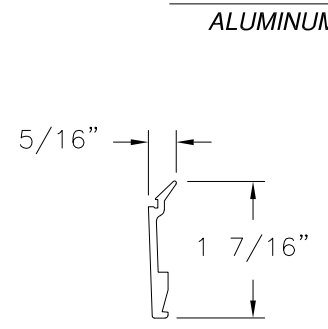
BOTTOM RAIL EXTRUSION HS813
ALUMINUM 6063-T5



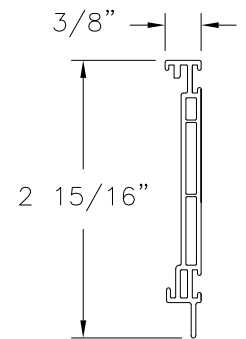
VENT STOP WH853
RIGID PVC



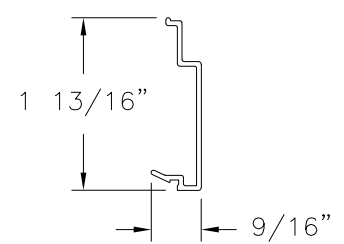
ANTI-LIFT WH852
RIGID PVC



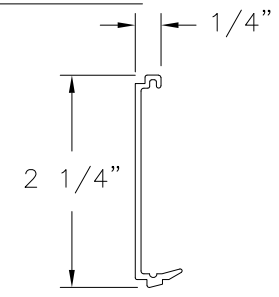
GLAZING STOP SH884
ALUMINUM 6063-T5



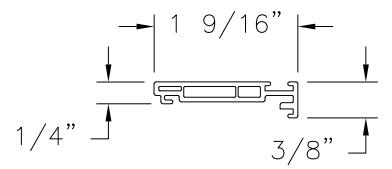
SILL ISOLATOR STRUT WH841
RIGID PVC



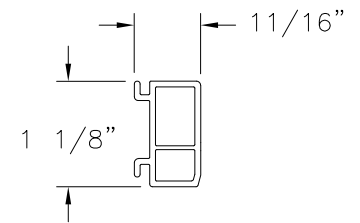
EXTERIOR FRAME COVER HS836
ALUMINUM 6063-T5



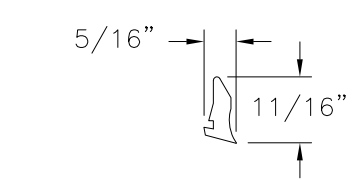
PICTURE WINDOW COVER PW803
ALUMINUM 6063-T5



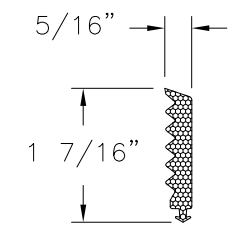
JAMB ISOLATOR STRUT WH809
RIGID PVC



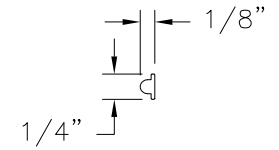
ISOLATOR STRUT WH843
RIGID PVC



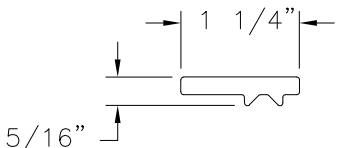
WEDGE GASKET WH344
RIGID PVC



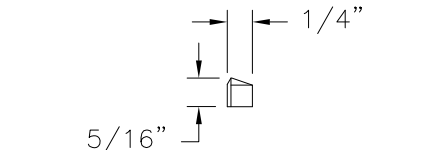
SPONGE GASKET NP881



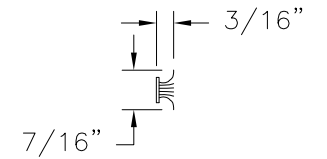
PC GUIDE NP942



SETTING BLOCK SB883
NEOPRENE 85 DURO



WEEP HOLE COVER WH276
RIGID PVC



DUST GASKET W-027

SIGNED: 04/10/2023

U.S. ALUMINUM
950 SOLON RD.
WAXAHACHIE, TX 75165

IW8200 HORIZONTAL SLIDING WINDOW
LARGE MISSILE IMPACT
COMPONENTS

DRAWN: A.R.	DWG NO. 08-03201	REV A
SCALE NTS	DATE 11/13/17	SHEET 6 OF 6

L. ROBERTO LOMAS P.E.
400 S. PALM AVE, INDIALANTIC, FL 32903
434-688-0609 rllomas@rlomaspe.com

Luis R. Lomas P.E.
FL No.: 62514