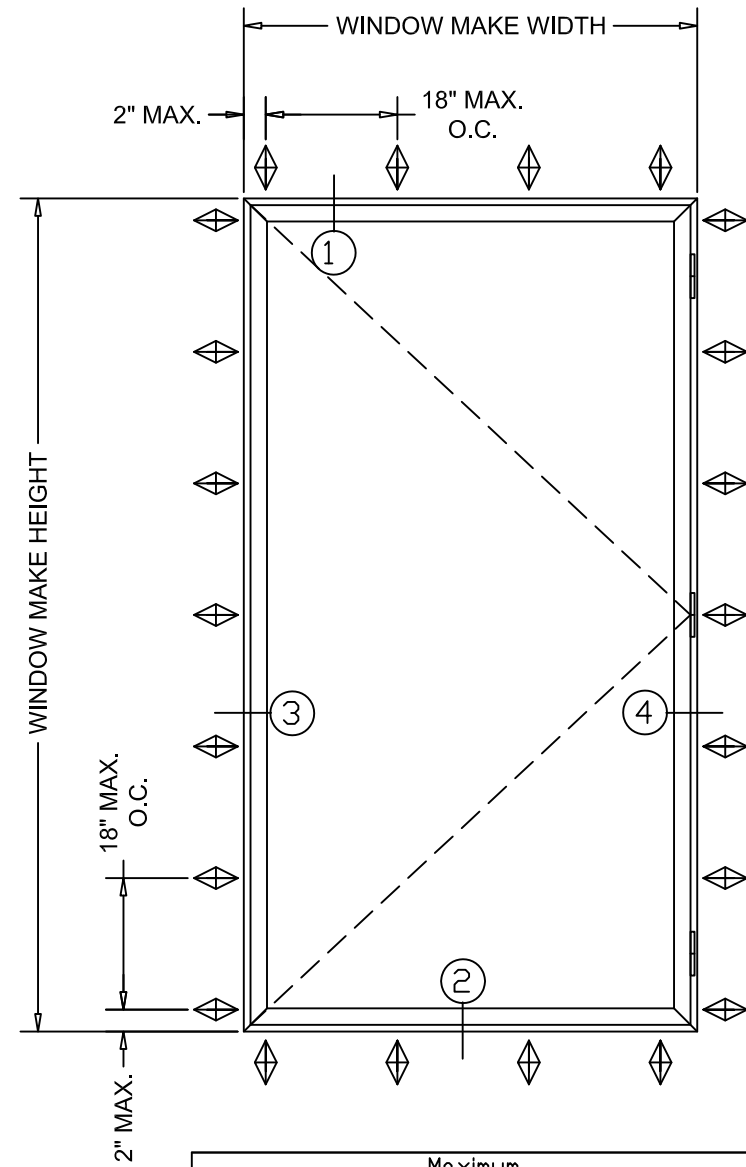


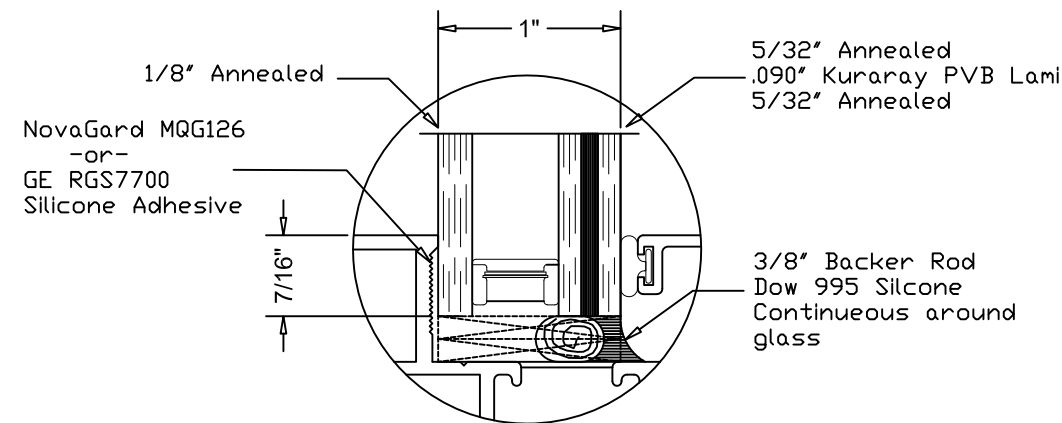
# NOTE: TYPICAL M700 CASEMENT OUTSWING WINDOW - INSTALLATION



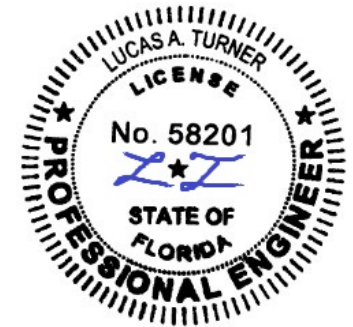
Maximum				
FW	FH	VENT-W	VENT-H	Pressure
36"	84"	34 1/4"	82 1/4"	± 70 PSF
DAYLIGHT OPENING		30"	78"	

## Notes:

1. Installations depicted satisfy the requirements of the 8th Edition (2023) of the Florida Building Code for Wind Pressures and Overall Sizes shown.
2. As Tested Anchor spacings are shown on the Elevations.
3. Wood Framing are assumed to Southern Pine (G=0.55) or denser.
4. Metal stud frames are assumed to be a minimum 16 gauge 33 KSI Steel.
5. Concrete masonry (CMU) shall conform to ASTM C90.
6. Concrete shall be minimum  $f_c = 3,000$  psi.
7. Wood Screws shall meet requirements of ANSI/ASME B18.6.1.
8. TEKS screws shall be ASTM A510 Grade 1018 or equivalent.
9. Hilti Kwik-Con + anchors as specified in NOA 21-0628.20
10. Maximum Frame Shim Space is  $\frac{1}{4}$ " as shown. Shims shall be non-compressible load bearing type.
11. Exterior and Interior shall be sealed according to Shop Drawings.
12. Products shown are Impact Resistant. Wind Zone 4 - Missile Level D
13. Not for use in High Velocity Hurricane Zone (HVHZ).
14. Sealing and flashing strategies and overall water infiltration performance of the installed product are by others and not addressed by this document.



Glass Makeup



7/27/2023  
 LUCAS TURNER  
 FL PE 58201  
 TURNER ENGINEERING &  
 CONSULTING, INC.  
 2428 OLD NATCHEZ TRACE TRL.  
 CAMDEN, TN, 38320  
 PH 941-380-1574

Project Name:  
**M700 CASEMENT O.S. WZ4**  
**INSTALLATION INSTRUCTIONS**

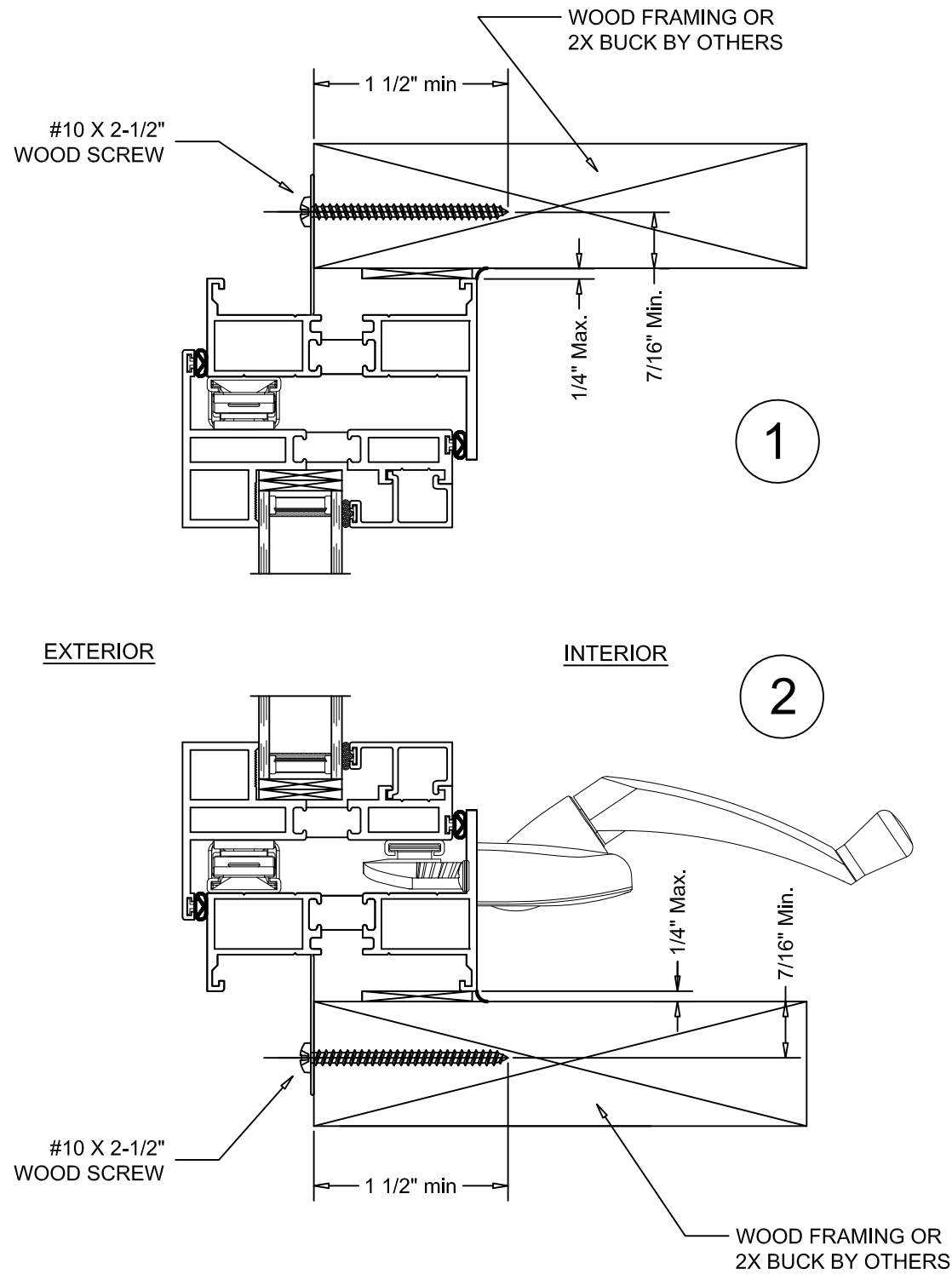
## GENERAL NOTES

QUAKER WINDOW PRODUCTS  
 WILL NOT BE RESPONSIBLE  
 FOR FIELD MEASUREMENT,  
 QUANTITIES, & INSTALLATION  
 DESIGN. CONTRACTOR MUST  
 VERIFY ALL DIMENSIONS.

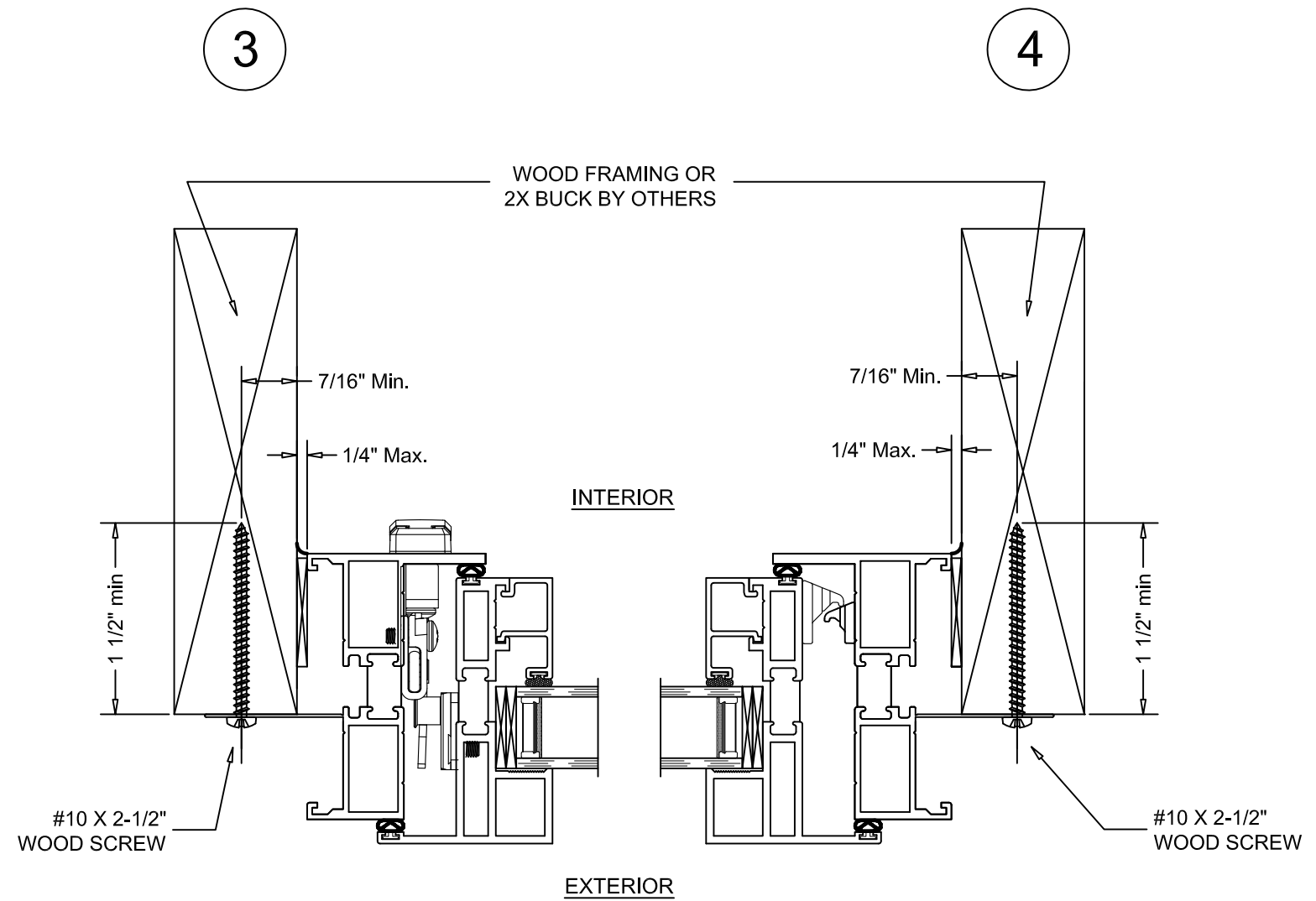
PHONE (573)-744-5211  
 FAX (573)-744-5586  
 COMMERCIAL  
 www.quakerwindows.com  
 Scale: NONE  
 Sheet #: 1 of 5

**QUAKER**  
 COMMERCIAL WINDOWS AND DOORS  
 Drawn By: BUD  
 Date: 7-27-2023  
 504 Highway 63 South  
 Freeburg, MO 65035  
 drafting@quakerwindows.com

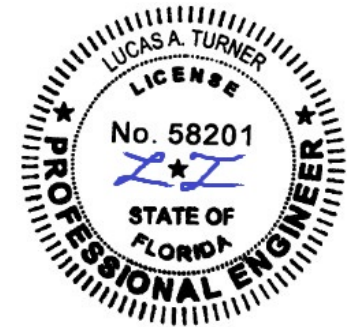
# NOTE: TYPICAL M700 CASEMENT OUTSWING WINDOW - NAIL FIN INSTALLATION



VERTICAL SECTION DETAIL  
WOOD FRAMING INSTALLATION



HORIZONTAL SECTION DETAIL  
WOOD FRAMING INSTALLATION



7/27/2023  
LUCAS TURNER  
FL PE 58201  
TURNER ENGINEERING &  
CONSULTING, INC.  
2428 OLD NATCHEZ TRACE TRL.  
CAMDEN, TN, 38320  
PH 941-380-1574

Project Name:  
**M700 CASEMENT O.S. WZ4  
NAIL FIN  
INSTALLATION INSTRUCTIONS**

## GENERAL NOTES

QUAKER WINDOW PRODUCTS  
WILL NOT BE RESPONSIBLE  
FOR FIELD MEASUREMENT  
QUANTITIES, & INSTALLATION  
DESIGN. CONTRACTOR MUST  
VERIFY ALL DIMENSIONS.

PHONE (573)-744-5211  
FAX (573)-744-5586  
COMMERCIAL  
FAX (573)-744-5822  
www.quakerwindows.com

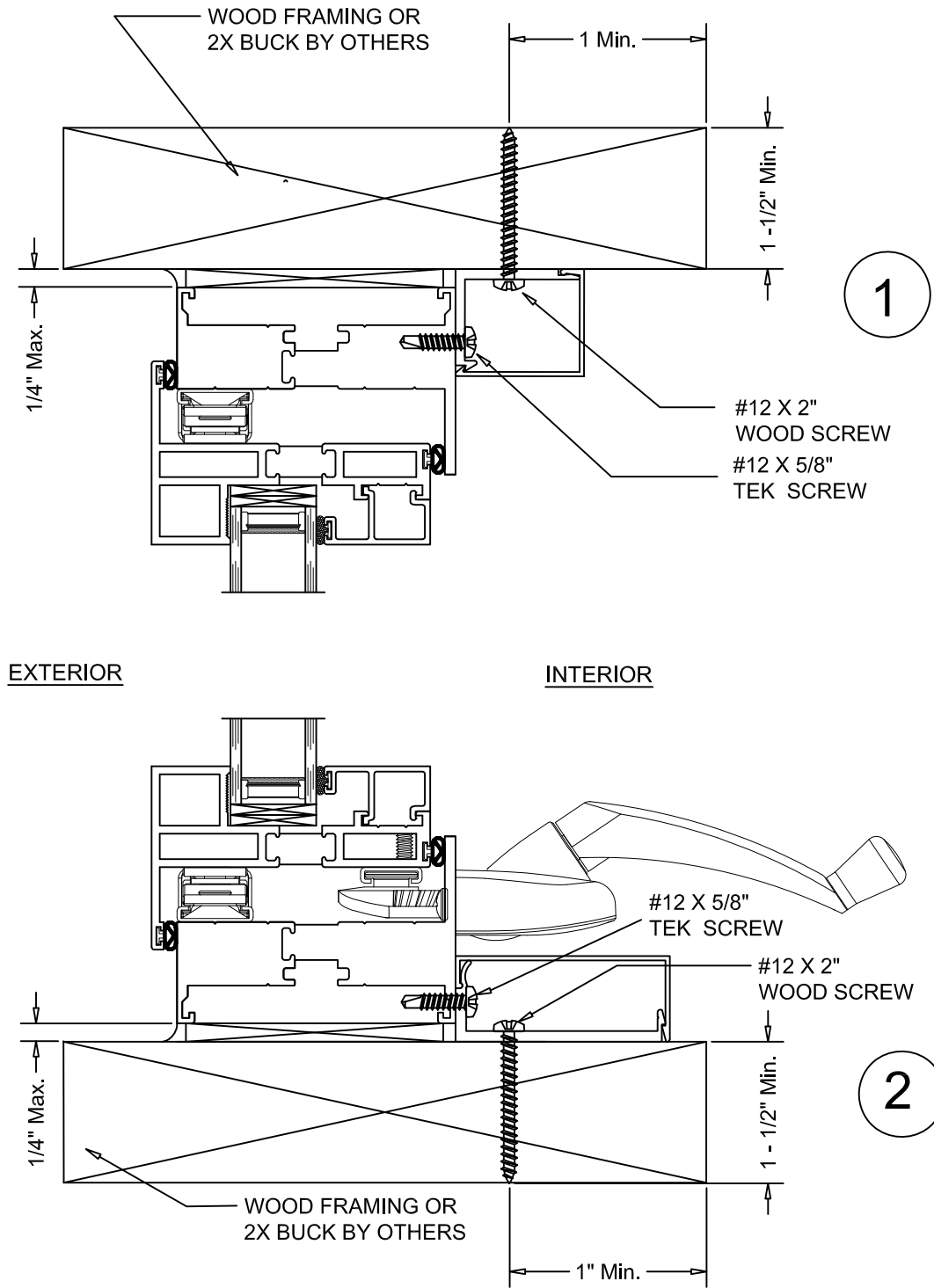


Scale: NONE  
Sheet #: 2 of 5

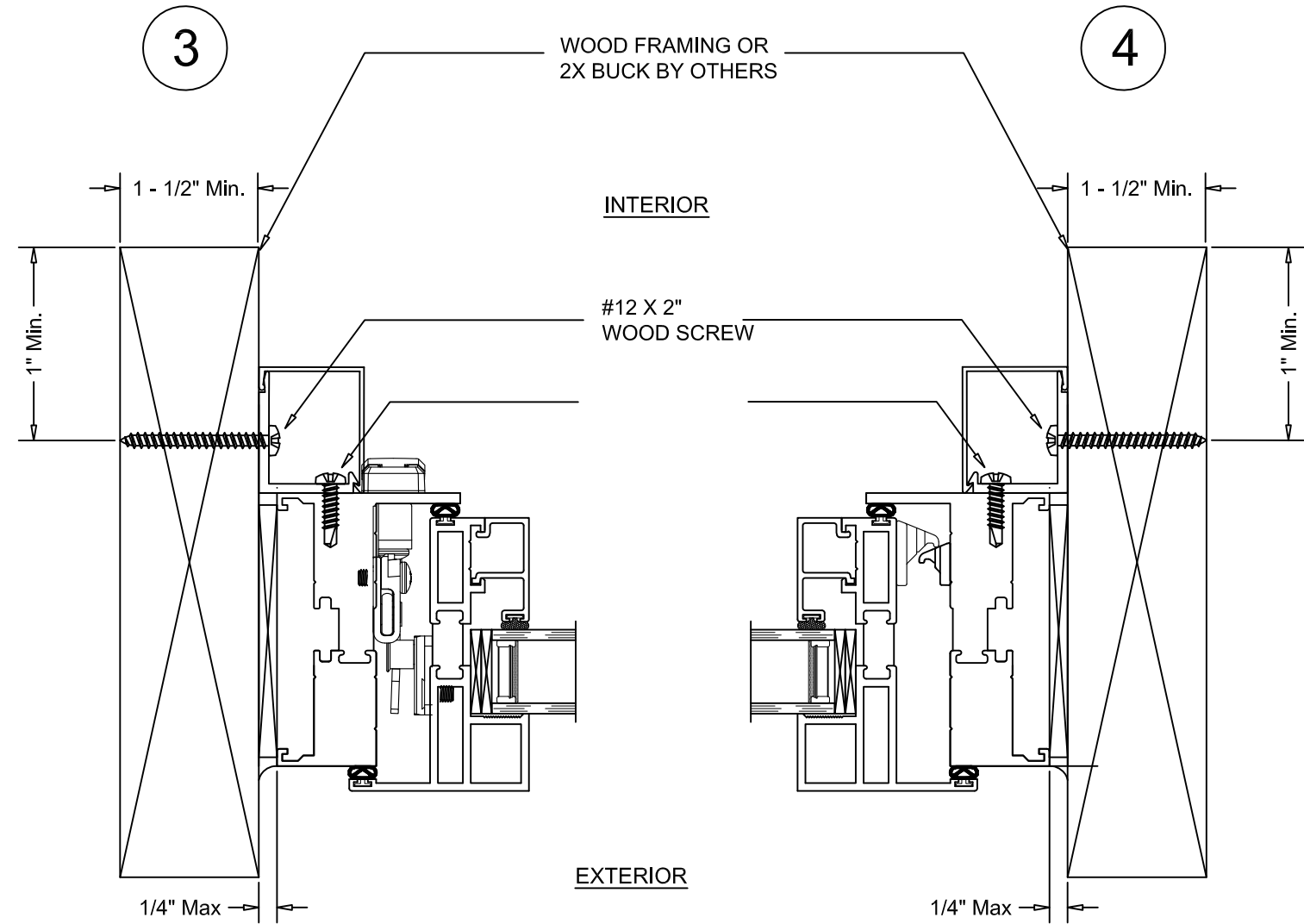
Drawn By: BUD  
Date: 7-27-2023

504 Highway 63 South  
Freeburg, MO 65035  
drafting@quakerwindows.com

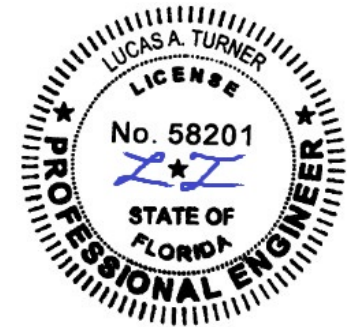
# NOTE: TYPICAL M700 CASEMENT OUTSWING WINDOW - TRIM & CLIP



VERTICAL SECTION DETAIL  
WOOD FRAMING INSTALLATION



HORIZONTAL SECTION DETAIL  
WOOD FRAMING INSTALLATION



7/27/2023  
LUCAS TURNER  
FL PE 58201  
TURNER ENGINEERING &  
CONSULTING, INC.  
2428 OLD NATCHEZ TRACE TRL.  
CAMDEN, TN, 38320  
PH 941-380-1574

Project Name:  
**M700 CASEMENT O.S. WZ4  
TRIM & CLIP  
INSTALLATION INSTRUCTIONS**

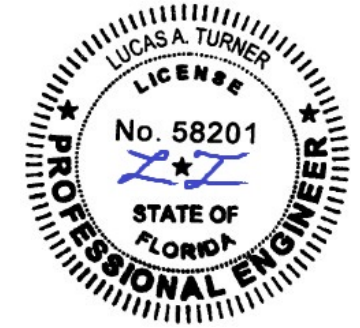
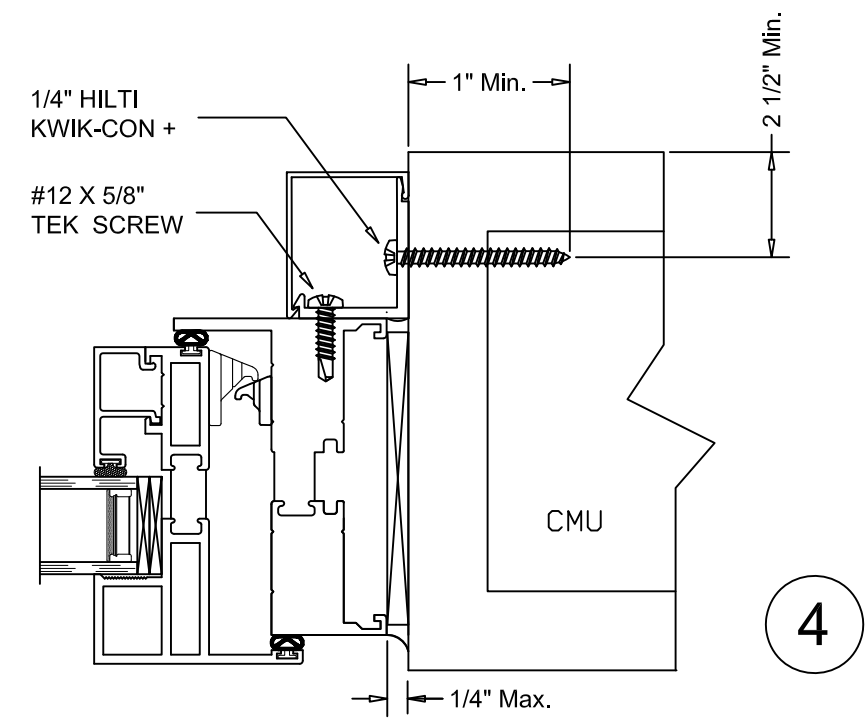
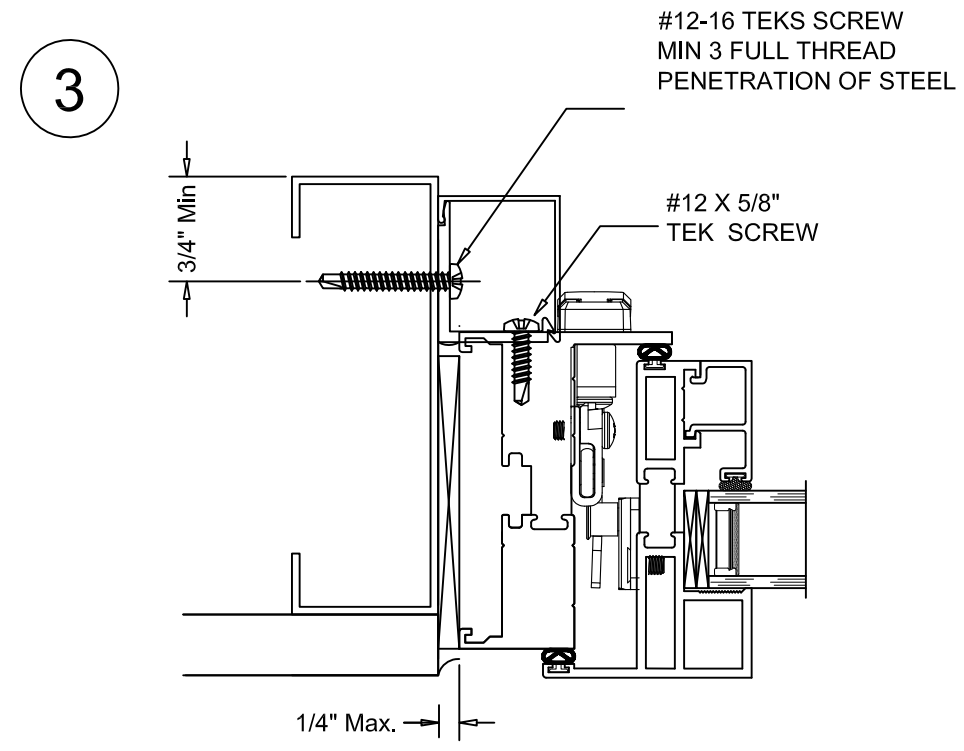
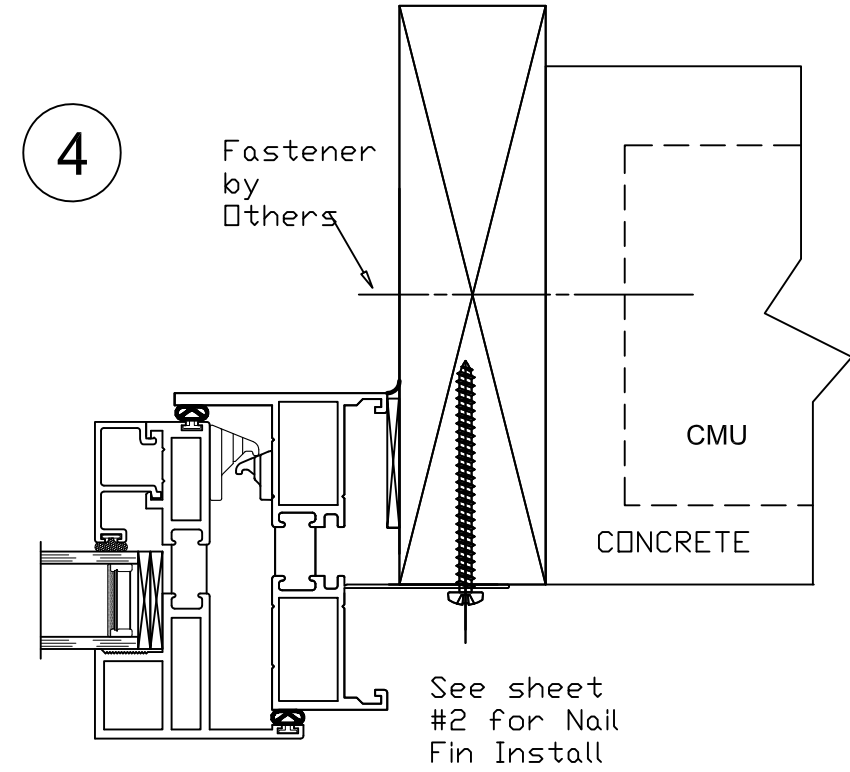
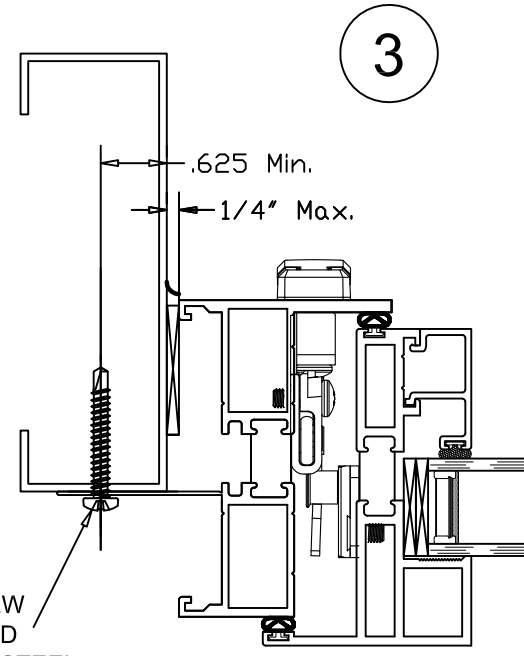
## GENERAL NOTES

QUAKER WINDOW PRODUCTS  
WILL NOT BE RESPONSIBLE  
FOR FIELD MEASUREMENT  
QUANTITIES, & INSTALLATION  
DESIGN. CONTRACTOR MUST  
VERIFY ALL DIMENSIONS.

PHONE (573)-744-5211 FAX (573)-744-5586 COMMERCIAL www.quakerwindows.com	Scale: NONE	Sheet #: 3 of 5
504 Highway 63 South Freeburg, MO 65035 drafting@quakerwindows.com	Drawn By: BUD	Date: 7-27-2023



# NOTE: TYPICAL M700 CASEMENT OUTSWING WINDOW - ALTERNATE SUBSTRATES



7/27/2023  
LUCAS TURNER  
FL PE 58201  
TURNER ENGINEERING &  
CONSULTING, INC.  
2428 OLD NATCHEZ TRACE TRL.  
CAMDEN, TN, 38320  
PH 941-380-1574

Project Name:  
**M700 CASEMENT O.S. WZ4  
ALTERNATE SUBSTRATES  
INSTALLATION INSTRUCTIONS**

## GENERAL NOTES

QUAKER WINDOW PRODUCTS  
WILL NOT BE RESPONSIBLE  
FOR FIELD MEASUREMENT  
QUANTITIES, & INSTALLATION  
DESIGN. CONTRACTOR MUST  
VERIFY ALL DIMENSIONS.

PHONE (573)-744-5211  
FAX (573)-744-5586  
COMMERCIAL  
FAX (573)-744-5822  
www.quakerwindows.com

Scale: NONE  
Sheet #: 4 of 5

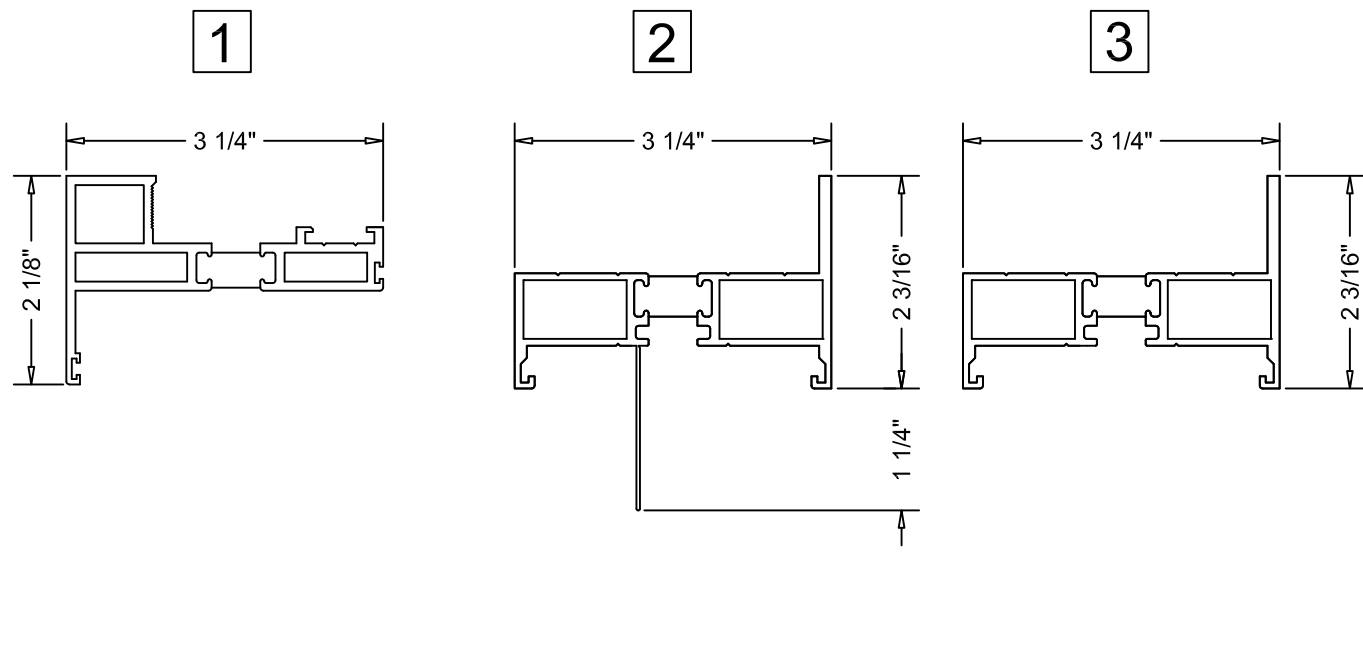
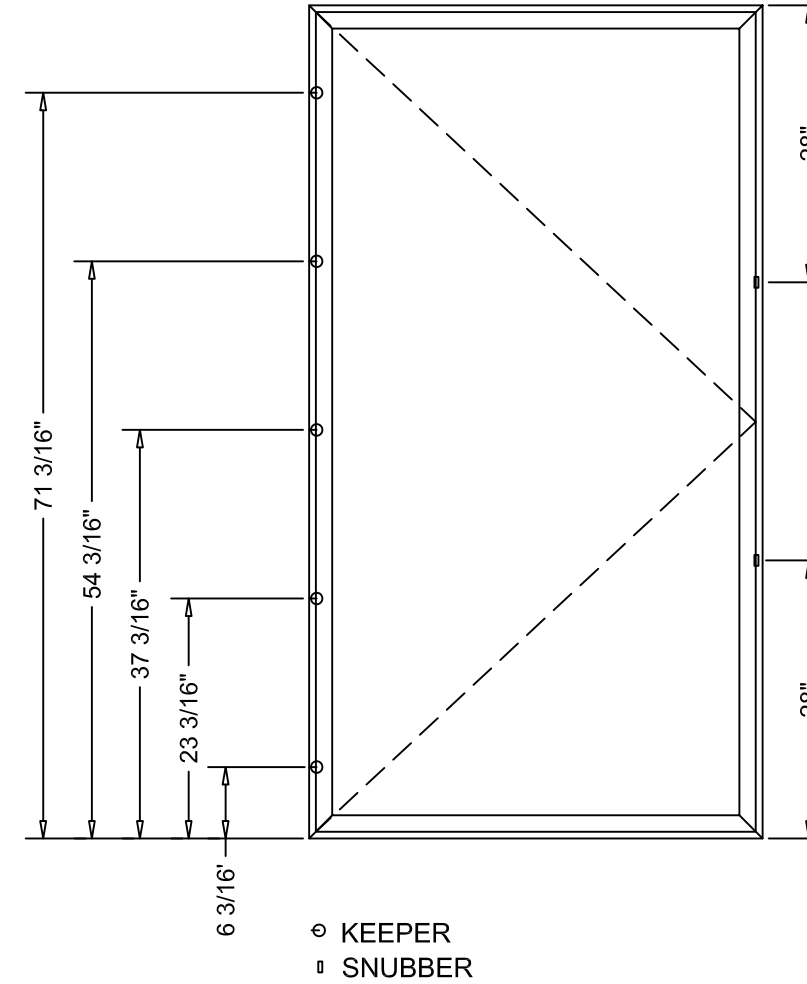
504 Highway 63 South  
Freeburg, MO 65035  
drafting@quakerwindows.com

Drawn By: BUD  
Date: 7-27-2023



# NOTE: TYPICAL M700 OUTSWING WINDOW - BOM

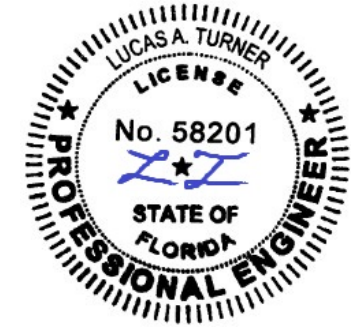
Bill of Materials				
NO.	Description	Part Number	Material	Manufacturer
1	Sash	M21191	Aluminum 6063-T6	Tower Extrusions
2	Frame w/ Nail Fin	M52732	Aluminum 6063-T6	Tower Extrusions
3	Frame	M52733	Aluminum 6063-T6	Tower Extrusions
4	Glazing Bead	M21195	Aluminum 6063-T6	Tower Extrusions
5	Heavy Base Clip - 1-1/4"	M17072	Aluminum 6063-T6	Tower Extrusions
6	Trim - 1-1/4"	M15267	Aluminum 6063-T6	Tower Extrusions
7	Heavy Base Clip - 1"	M2272	Aluminum 6063-T6	Iowa Aluminum
8	Trim - 1"	M19765	Aluminum 6063-T6	Tower Extrusions
6	Backbedding	MQG126	Silicone	NovaGard
7	Structural Sealant	Dow Corning 995	Silicone	Dow Corning
8	Maxim MP Lock Assy	24.44.02.001		Truth
9	Tie-Bar 5pt	14763-92		Truth
10	Keeper	14485		Truth
11	4-Bar Egress Hinge	5012		Advantage Hardware
12	Snubber	1500		Vision Hardware
13	Snubber	22999/23555		Truth
14	Roto Operator - 14"	50-00-02-112		Truth



Project Name:  
**M700 CASEMENT O.S. WZ4**  
**BILL OF MATERIALS**  
**INSTALLATION INSTRUCTIONS**

## GENERAL NOTES

QUAKER WINDOW PRODUCTS  
 WILL NOT BE RESPONSIBLE  
 FOR FIELD MEASUREMENT  
 QUANTITIES, & INSTALLATION  
 DESIGN. CONTRACTOR MUST  
 VERIFY ALL DIMENSIONS.



7/27/2023  
 LUCAS TURNER  
 FL PE 58201  
 TURNER ENGINEERING &  
 CONSULTING, INC.  
 2428 OLD NATCHEZ TRACE TRL.  
 CAMDEN, TN, 38320  
 PH 941-380-1574

PHONE (573)-744-5211  
 FAX (573)-744-5586  
 COMMERCIAL  
 www.quakerwindows.com  
 Scale: NONE  
 Sheet #: 5 of 5

Drawn By: BUD  
 Date: 7-27-2023

504 Highway 63 South  
 Freeburg, MO 65035  
 drafting@quakerwindows.com

