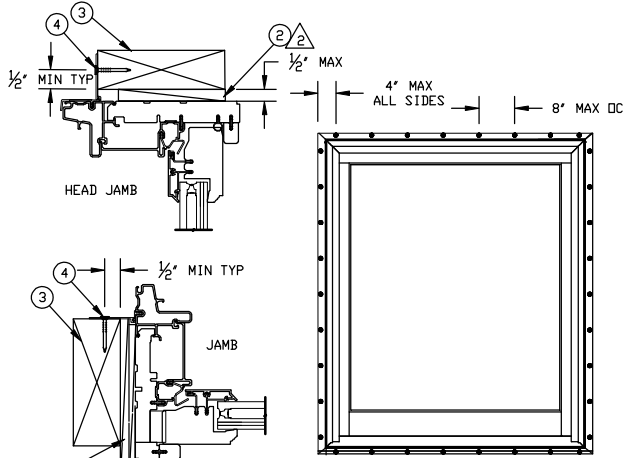
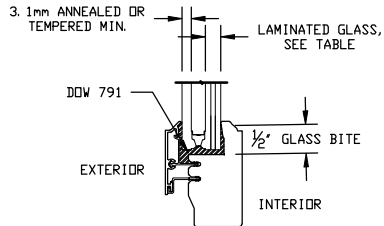
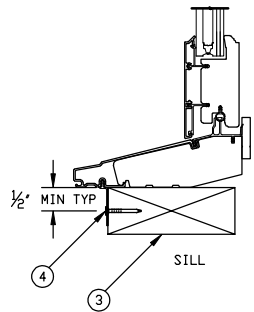


**NAILING FIN INSTALLATION**



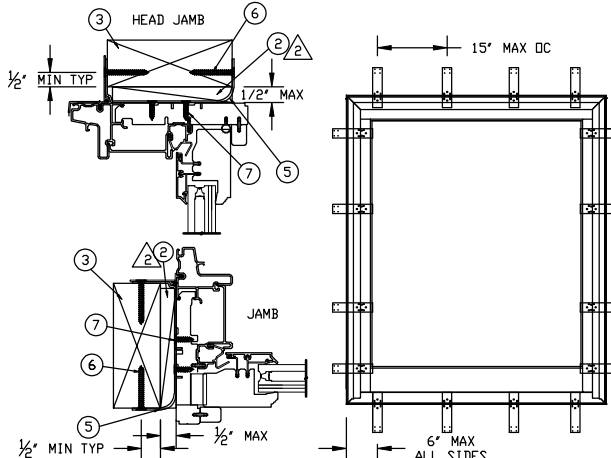
**NAILING FIN INSTALLATION METHOD:**  
 - UNIT MUST NOT BE IN DIRECT CONTACT WITH EITHER CONCRETE OR TREATED BUCK MATERIAL. IF SHIM SPACE IS LESS THAN 1/8" WRAPPING THE UNIT ON ALL 4 SIDES WITH WINDOW FLASHING TAPE IS REQUIRED AS A BARRIER BETWEEN THE UNIT AND CONCRETE OR TREATED LUMBER.  
 - #8 X 1 1/4" PAN HEAD OR WAFFER HEAD SCREWS MAY BE SUBSTITUTED FOR 2" ROOFING NAILS.  
 - ROOFING NAILS MUST HAVE FULL EMBEDMENT.



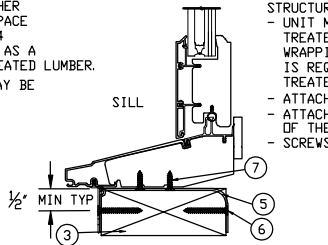
**GLAZING DETAIL**

**NOTES:**  
 1. THIS PRINT IS FOR STRUCTURAL PERFORMANCE ONLY. FOR FLASHING & SEALING REQUIREMENTS, REFER TO THE INSTALLATION INSTRUCTIONS.  
 SHIMS:  
 - A SHIM MUST BE PLACED AT THE CHECK RAILS AND 4-6" FROM EACH CORNER.  
 - ALL OTHERS MUST BE PLACED A MAX OF 15 INCHES APART.  
 3. IF CHEMICALLY TREATED LUMBER IS USED FOR BUCK MATERIAL, FASTENERS INTO THE BUCK MUST BE A MINIMUM OF 0.90 OZ/FT<sup>2</sup> ZINC HOT DIPPED GALVANIZED OR STAINLESS STEEL TYPE 304 OR 316.

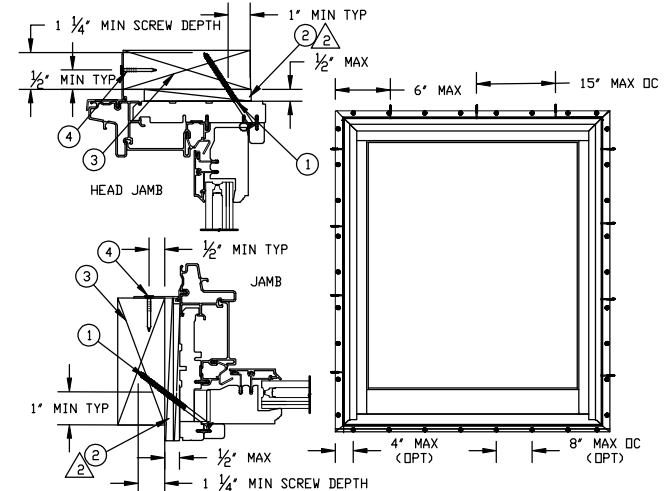
**STRUCTURAL BRACKET INSTALLATION**



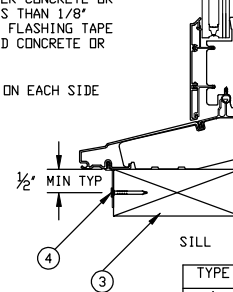
**STRUCTURAL BRACKET INSTALLATION METHOD:**  
 - UNIT MUST NOT BE IN DIRECT CONTACT WITH EITHER CONCRETE OR TREATED BUCK MATERIAL. IF SHIM SPACE IS LESS THAN 1/8" WRAPPING THE UNIT ON ALL 4 SIDES WITH WINDOW FLASHING TAPE IS REQUIRED AS A BARRIER BETWEEN THE UNIT AND CONCRETE OR TREATED LUMBER.  
 - ATTACH TO THE UNIT WITH TWO #8 X 3/8" SCREWS.  
 - ATTACH TO THE BUCK WITH TWO #8 X 1 1/2" SCREWS ON EACH SIDE OF THE BUCK.  
 - SCREWS MUST HAVE FULL EMBEDMENT.



**JAMB SCREW INSTALLATION (OPTIONAL NAILING FIN)**



**JAMB SCREW/ NAILING FIN SILL INSTALLATION METHOD:**  
 - UNIT MUST NOT BE IN DIRECT CONTACT WITH EITHER CONCRETE OR TREATED BUCK MATERIAL. IF SHIM SPACE IS LESS THAN 1/8" WRAPPING THE UNIT ON ALL 4 SIDES WITH WINDOW FLASHING TAPE IS REQUIRED AS A BARRIER BETWEEN THE UNIT AND CONCRETE OR TREATED LUMBER.  
 - SECURE JAMBS AND HEAD JAMBS WITH #8 X 3" SCREWS.  
 - SHIM AT EACH SCREW LOCATION.  
 - ROOFING NAILS MUST HAVE FULL EMBEDMENT.



TYPE	LAMINATED GLASS MAKEUP
A	3.1mm(.122") ANN + .090KURARAY PVB + 3.1mm(.122") ANN

UNIT	MAX FRAME SIZE	DP RATING	GLASS OPTION
UL DBLHNG TR G2 I23	73 1/4 x 27 1/16	+65/-65	TYPE A

**CATEGORY:**  
DOUBLE HUNG

**UNIT TYPE:**  
UDHTRG2I23

ITEM NO	REF NO	DESCRIPTION
7	-----	#8 x 5/8" WOOD SCREW
6	-----	#8 x 1 1/2" WOOD SCREW
5	-----	STRUCTURAL BRACKET
4	-----	2" ROOFING NAIL
3	-----	2X WOOD BUCK BY OTHERS
2	-----	SHIM
1	-----	#8 X 3.000 WOOD SCREW

UNSPECIFIED TOLERANCES	
DECIMALS:	ANGLE DEG:
XX ± .03	± .5
XXX ± .012	
LINEAL:	FAB LINEAL:
+ .125	± NA
-.000	
MATERIAL:	
	NA

**MARVIN** RESEARCH & DEVELOPMENT

**COLLECTION:** ULTIMATE

**DWG TYPE:** INSTALLATION

**DESCRIPTION:** INSTALLATION FL# 28289

<b>CHK:</b>	<b>SIZE:</b> B	<b>CLASS:</b> MISC	<b>DWG NO:</b> 00127082
<b>APP:</b>	<b>SCALE:</b> NA	<b>DATE:</b> 12/30/20	<b>DWG BY:</b> KOMPELIEN, SARA

**SHEET:** 1 OF 1

**NOTICE - CONFIDENTIAL INFORMATION**

The information in this document is privileged and strictly confidential. The information contained herein shall be used only by Marvin Windows and Doors employees and by those agents or suppliers granted official written permission. If the reader of this document is not the intended recipient, or the employee or agent of the intended recipient, please delete this document from all data storage devices, and destroy all hard copies. Any unauthorized dissemination, distribution, copying or other use of the information contained in this document is strictly prohibited.