

REVISIONS			
REV	DESCRIPTION	DATE	APPROVED

NOTES:

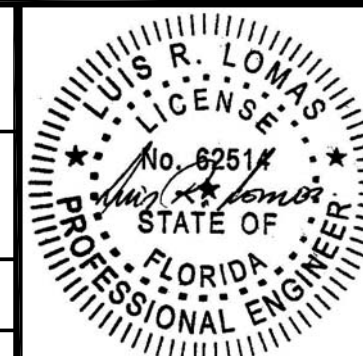
1. THE PRODUCT SHOWN HEREIN IS DESIGNED AND MANUFACTURED TO COMPLY WITH REQUIREMENTS OF THE FLORIDA BUILDING CODE.
2. WOOD FRAMING AND MASONRY OPENING TO BE DESIGNED AND ANCHORED TO PROPERLY TRANSFER ALL LOADS TO STRUCTURE. FRAMING AND MASONRY OPENING IS THE RESPONSIBILITY OF THE ARCHITECT OR ENGINEER OF RECORD.
3. 1X BUCK OVER MASONRY/CONCRETE IS OPTIONAL.
4. WHERE SHIM OR BUCK THICKNESS IS LESS THAN 1-1/2" UNITS MUST BE ANCHORED THROUGH THE FRAME IN ACCORDANCE WITH MANUFACTURER'S PUBLISHED INSTALLATION INSTRUCTIONS. ANCHORS SHALL BE SECURELY FASTENED DIRECTLY INTO MASONRY, CONCRETE OR OTHER STRUCTURAL SUBSTRATE MATERIAL.
5. WHERE WOOD BUCK THICKNESS IS 1-1/2" OR GREATER, BUCK SHALL BE SECURELY FASTENED TO MASONRY, CONCRETE OR OTHER STRUCTURAL SUBSTRATE. UNITS MAY BE ANCHORED THROUGH FRAME TO SECURED WOOD BUCK IN ACCORDANCE WITH MANUFACTURER'S PUBLISHED INSTALLATION INSTRUCTIONS.
6. WHERE 1X BUCK IS NOT USED DISSIMILAR MATERIALS MUST BE SEPARATED WITH APPROVED COATING OR MEMBRANE. SELECTION OF COATING OR MEMBRANE IS THE RESPONSIBILITY OF THE ARCHITECT OR ENGINEER OF RECORD.
7. BUCKS SHALL EXTEND BEYOND UNIT FRAME INTERIOR FACE SO THAT FULL FRAME SUPPORT IS PROVIDED.
8. FOR FIN INSTALLATION SHIM AS NEEDED. FOR FRAME INSTALLATION SHIM AS REQUIRED AT EACH ANCHOR LOCATION WITH LOAD BEARING SHIM. SHIM WHERE SPACE OF 1/16" OR GREATER OCCURS. MAXIMUM ALLOWABLE SHIM STACK TO BE 1/4".
9. SHIMS SHALL BE LOCATED, APPLIED AND MADE FROM MATERIALS AND THICKNESS CAPABLE OF SUSTAINING APPLICABLE LOADS.
10. WIND LOAD DURATION FACTOR Cd=1.6 WAS USED FOR WOOD ANCHOR CALCULATIONS.
11. FRAME MATERIAL: ALUMINUM 6063-T5.
12. UNITS MUST BE GLAZED PER ASTM E1300-04/09, SEE SHEET 7 FOR GLASS DETAILS.
13. APPROVED IMPACT PROTECTIVE SYSTEM IS NOT REQUIRED FOR THIS PRODUCT IN WIND BORNE DEBRIS REGIONS.
14. FOR ANCHORING THROUGH FIN INTO WOOD FRAMING OR 2X BUCK USE #6 WOOD SCREWS WITH SUFFICIENT LENGTH TO ACHIEVE A 1 1/4" MINIMUM EMBEDMENT INTO SUBSTRATE. LOCATE ANCHORS AS SHOWN IN ELEVATIONS AND INSTALLATION DETAILS.

15. FOR ANCHORING THROUGH FRAME INTO WOOD FRAMING OR 2X BUCK USE #12 WOOD SCREWS WITH SUFFICIENT LENGTH TO ACHIEVE A 1 1/4" MINIMUM EMBEDMENT INTO SUBSTRATE. LOCATE ANCHORS AS SHOWN IN ELEVATIONS AND INSTALLATION DETAILS.
16. FOR ANCHORING THROUGH FRAME INTO MASONRY/CONCRETE USE 1/4" TAPCONS WITH SUFFICIENT LENGTH TO ACHIEVE A 1 1/4" MINIMUM EMBEDMENT INTO SUBSTRATE WITH 2" MINIMUM EDGE DISTANCE. LOCATE ANCHORS AS SHOWN IN ELEVATIONS AND INSTALLATION DETAILS.
17. FOR ANCHORING THROUGH FRAME INTO METAL STRUCTURE USE #12 SMS OR SELF DRILLING SCREWS WITH SUFFICIENT LENGTH TO ACHIEVE 3 THREADS MINIMUM BEYOND STRUCTURE INTERIOR WALL. LOCATE ANCHORS AS SHOWN IN ELEVATIONS AND INSTALLATION DETAILS.
18. ALL FASTENERS TO BE CORROSION RESISTANT.
19. INSTALLATION ANCHORS SHALL BE INSTALLED IN ACCORDANCE WITH ANCHOR MANUFACTURER'S INSTALLATION INSTRUCTIONS AND ANCHORS SHALL NOT BE USED IN SUBSTRATES WITH STRENGTHS LESS THAN THE MINIMUM STRENGTH SPECIFIED BELOW:
  - A. WOOD: MINIMUM SPECIFIC GRAVITY OF G=0.42
  - B. CONCRETE: MINIMUM COMPRESSIVE STRENGTH OF 2,000 PSI.
  - C. MASONRY: HOLLOW/FILLED BLOCK PER ASTM C90 WITH Fm=2,000PSI MINIMUM.
  - D. METAL STRUCTURE: STEEL 18GA (.048") FY=33KSI/FU=52KSI OR ALUMINUM 6063-T5 FU=30KSI .048" THICK MINIMUM

SIGNED: 03/11/2019

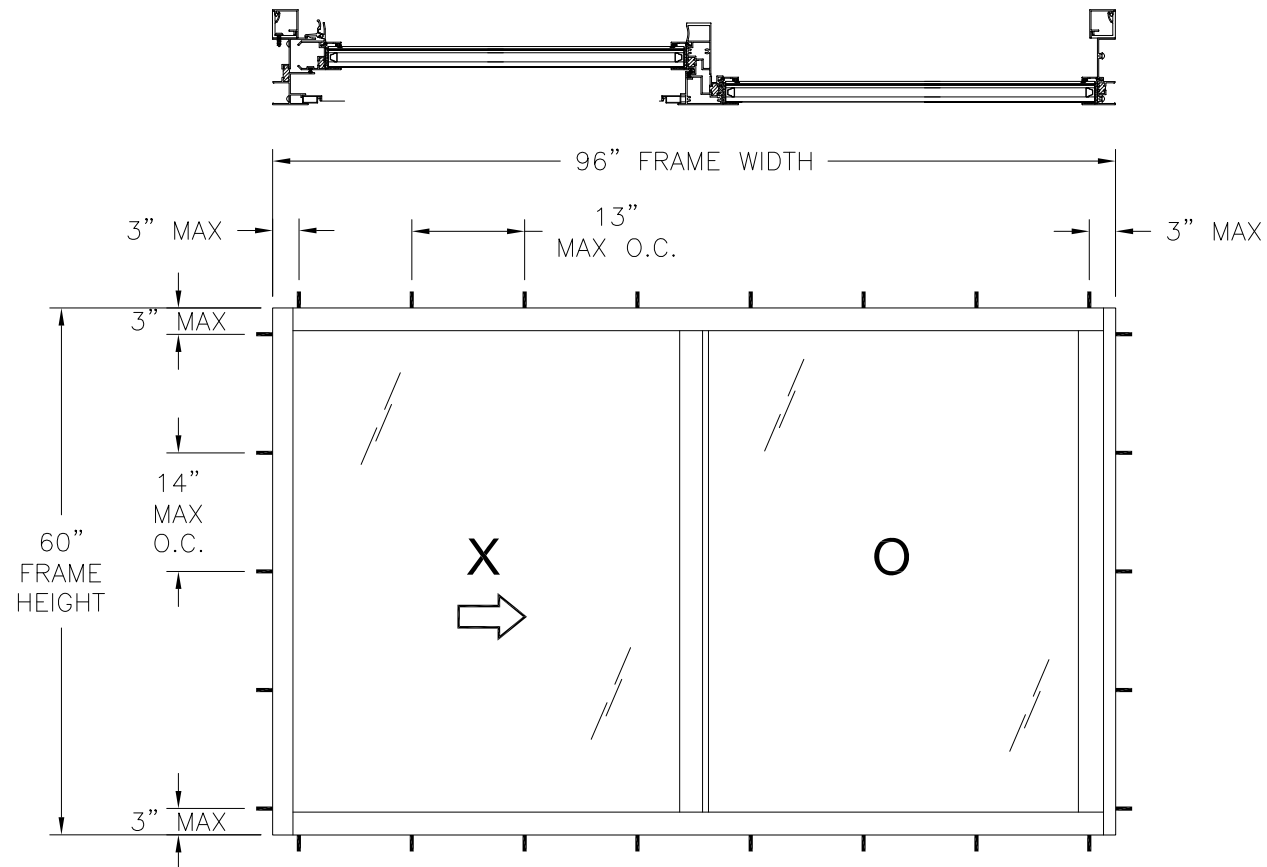
TABLE OF CONTENTS	
SHEET NO.	DESCRIPTION
1	NOTES
2	ELEVATIONS
3 - 6	INSTALLATION DETAILS
7	COMPONENTS AND GLAZING DETAILS

<b>ALL SEASONS COMMERCIAL</b> 1293 NORTH HARVEY MITCHELL PARKWAY BRYAN, TX 77803		
3250 ALUMINUM HORIZONTAL SLIDING WINDOW IMPACT NOTES		
DRAWN: A.R.	DWG NO. 08-03385	REV -
SCALE NTS	DATE 02/15/19	SHEET 1 OF 7
L. ROBERTO LOMAS P.E. 1432 WOODFORD RD LEWISVILLE, NC 27023 434-688-0609 rllomas@lrlomaspe.com		

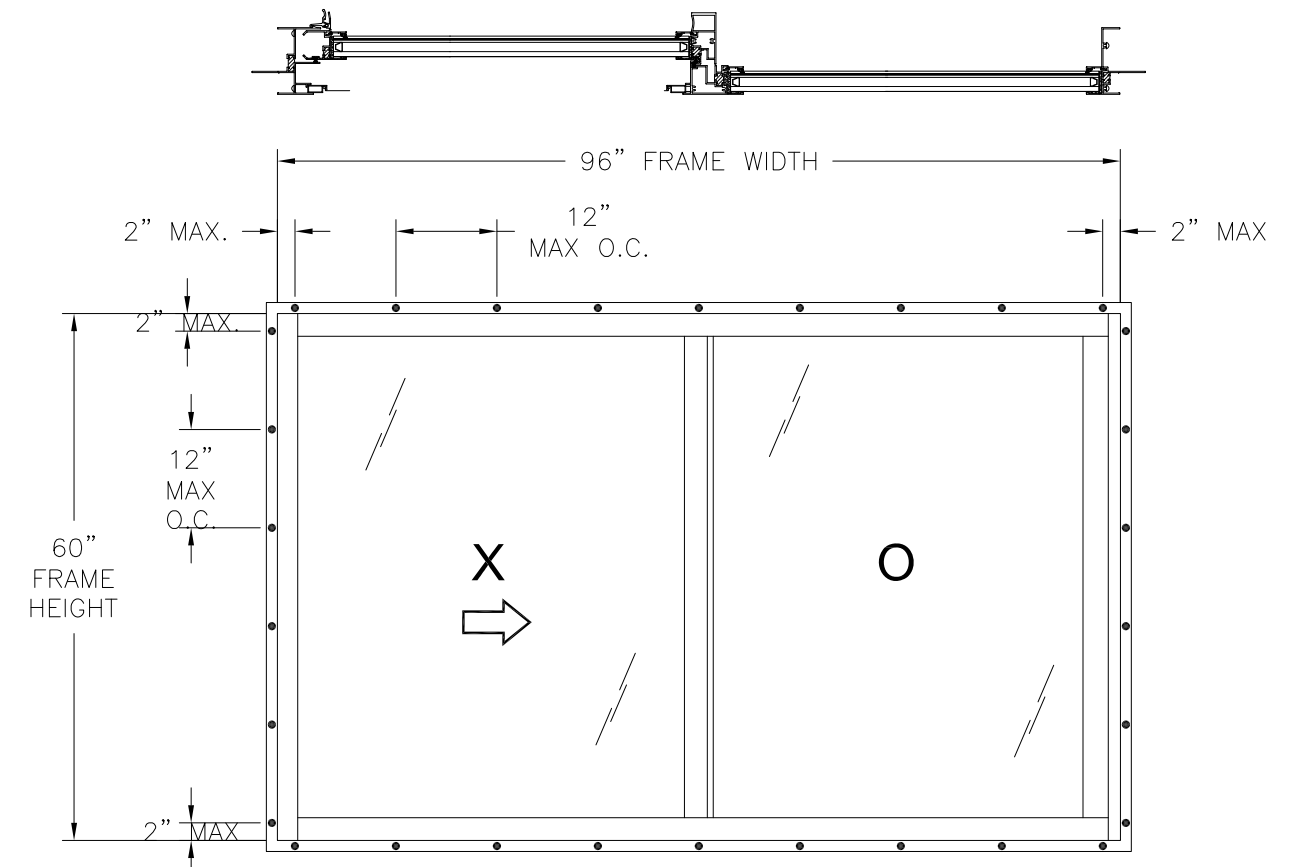


Luis R. Lomas P.E.  
FL No.: 62514

REVISIONS			
REV	DESCRIPTION	DATE	APPROVED



**3250 HORIZONTAL SLIDER WINDOW**  
EXTERIOR VIEW  
FINLESS INSTALLATION



**3250 HORIZONTAL SLIDER WINDOW**  
EXTERIOR VIEW  
FIN INSTALLATION

DESIGN PRESSURE RATING	IMPACT RATING
±50.0PSF	LARGE AND SMALL MISSILE IMPACT

MISSILE LEVEL D, WIND ZONE 4  
96" X 60" UNIT SHOWN. OTHER SIZES APPROVED AS LONG AS FRAME AREA DOES NOT EXCEED 40.0 FT<sup>2</sup>

- NOTES:
- SASH SIZE: 48" X 53 3/4"
  - SASH D.L.O. SIZE.: 43 3/4" X 51 3/8"
  - FIXED D.L.O. SIZE: 43 3/4" X 53 3/8"

HARDWARE SCHEDULE	
A.	(1) METALLIC LOCK AT SASH STILE
B.	(1) SPIRAL BALANCE PER SASH STILE

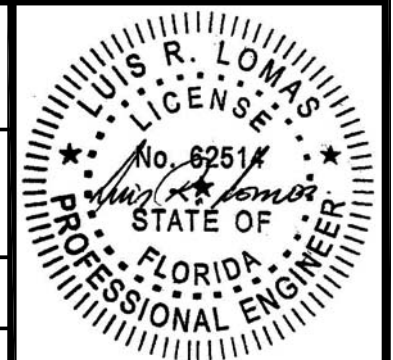
ALL SEASONS COMMERCIAL  
1293 NORTH HARVEY MITCHELL PARKWAY  
BRYAN, TX 77803

3250 ALUMINUM HORIZONTAL SLIDING WINDOW  
IMPACT  
ELEVATIONS

DRAWN: A.R.	DWG NO. 08-03385	REV -
SCALE NTS	DATE 02/15/19	SHEET 2 OF 7

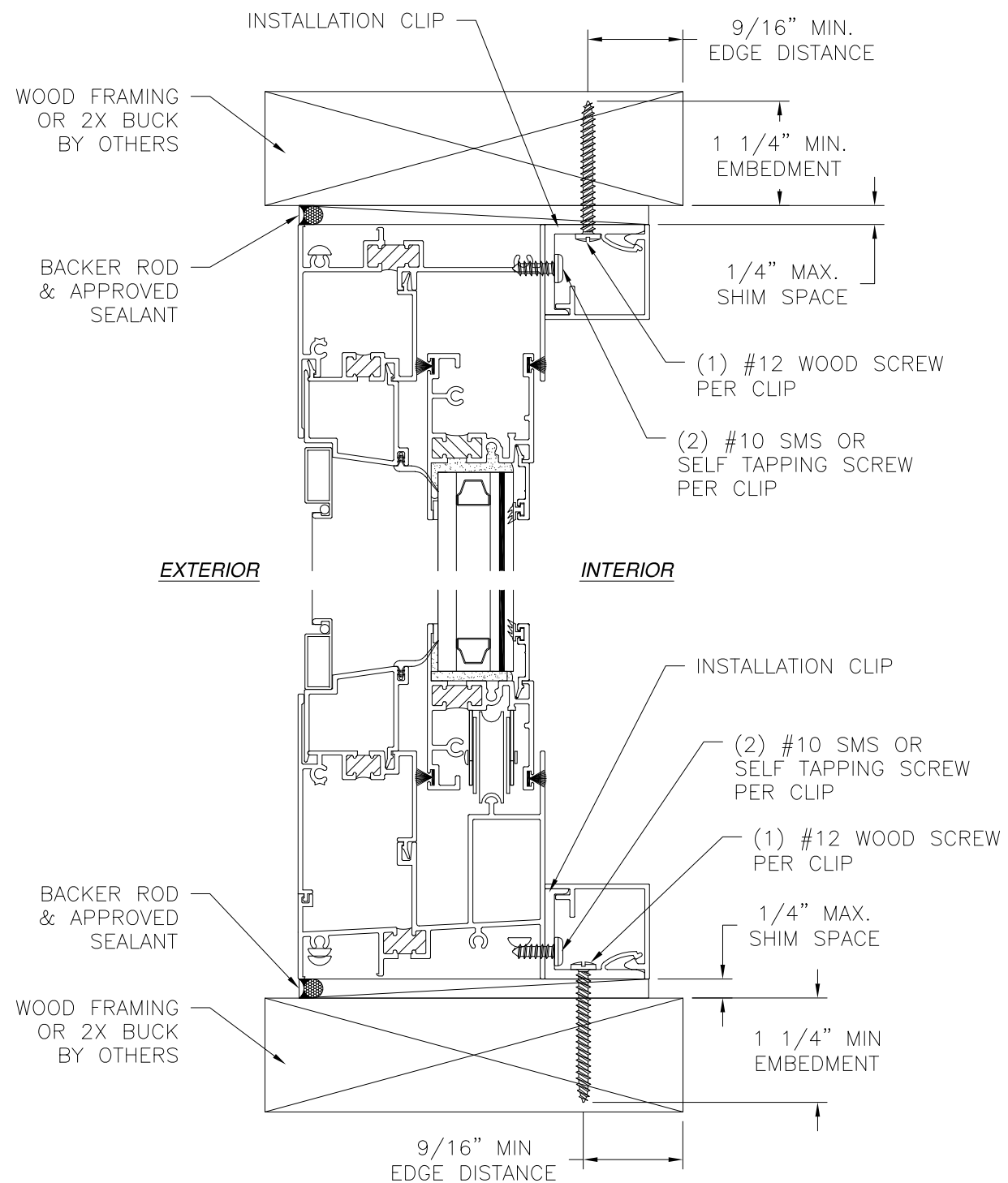
L. ROBERTO LOMAS P.E.  
1432 WOODFORD RD LEWISVILLE, NC 27023  
434-688-0609 rllomas@rlomaspe.com

SIGNED: 03/11/2019

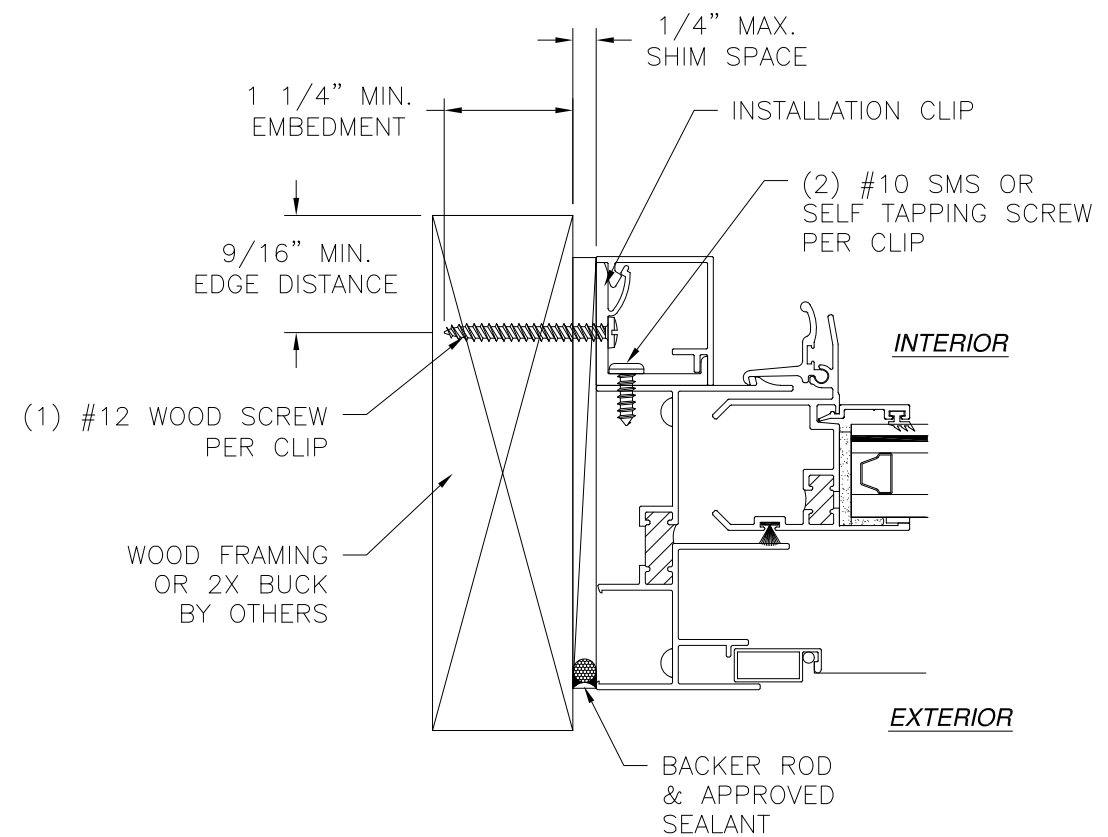


Luis R. Lomas P.E.  
FL No.: 62514

REVISIONS			
REV	DESCRIPTION	DATE	APPROVED



**VERTICAL CROSS SECTION**  
WOOD FRAMING OR 2X BUCK INSTALLATION



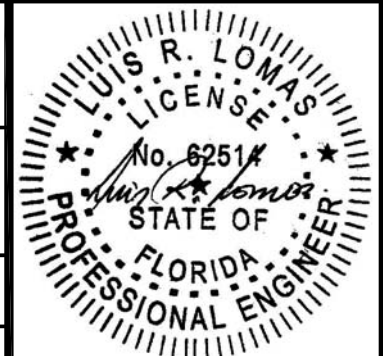
**JAMB INSTALLATION DETAIL**  
FRAME JAMB LOCK SIDE SHOWN, FRAME JAMB SIMILAR  
WOOD FRAMING OR 2X BUCK INSTALLATION

**NOTES:**

1. INTERIOR AND EXTERIOR FINISHES, BY OTHERS, NOT SHOWN FOR CLARITY.
2. PERIMETER AND JOINT SEALANT BY OTHERS TO BE DESIGNED IN ACCORDANCE WITH ASTM E2112

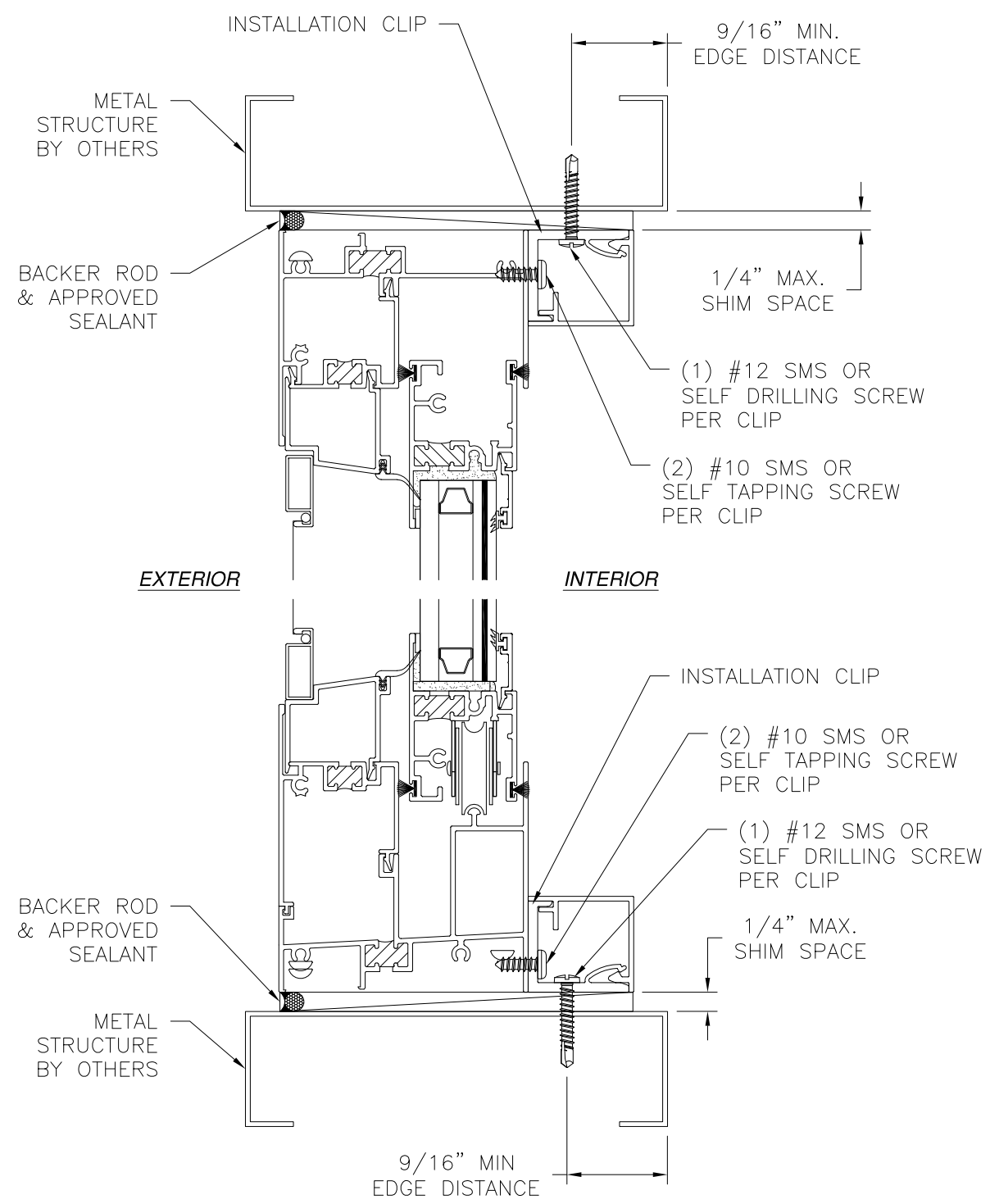
SIGNED: 03/11/2019

<b>ALL SEASONS COMMERCIAL</b> 1293 NORTH HARVEY MITCHELL PARKWAY BRYAN, TX 77803		
3250 ALUMINUM HORIZONTAL SLIDING WINDOW IMPACT INSTALLATION DETAILS		
DRAWN: A.R.	DWG NO. 08-03385	REV -
SCALE NTS	DATE 02/15/19	SHEET 3 OF 7
L. ROBERTO LOMAS P.E. 1432 WOODFORD RD LEWISVILLE, NC 27023 434-688-0609 rllomas@rlomaspe.com		

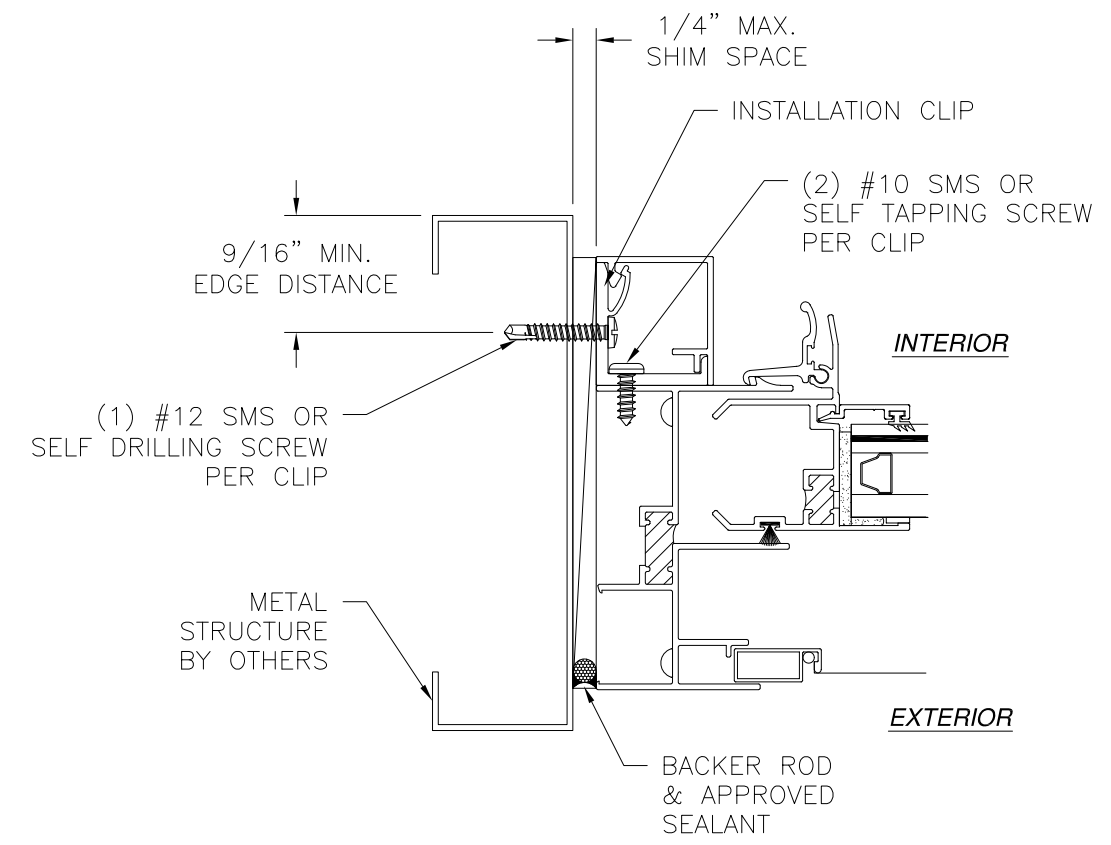


Luis R. Lomas P.E.  
FL No.: 62514

REVISIONS			
REV	DESCRIPTION	DATE	APPROVED



**VERTICAL CROSS SECTION**  
METAL STRUCTURE INSTALLATION



**JAMB INSTALLATION DETAIL**  
FRAME JAMB LOCK SIDE SHOWN, FRAME JAMB SIMILAR  
METAL STRUCTURE INSTALLATION

- NOTES:**
1. INTERIOR AND EXTERIOR FINISHES, BY OTHERS, NOT SHOWN FOR CLARITY.
  2. PERIMETER AND JOINT SEALANT BY OTHERS TO BE DESIGNED IN ACCORDANCE WITH ASTM E2112

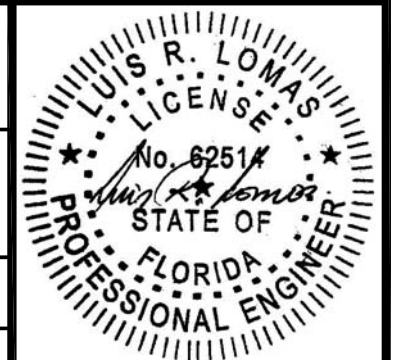
SIGNED: 03/11/2019

ALL SEASONS COMMERCIAL  
1293 NORTH HARVEY MITCHELL PARKWAY  
BRYAN, TX 77803

3250 ALUMINUM HORIZONTAL SLIDING WINDOW  
IMPACT  
INSTALLATION DETAILS

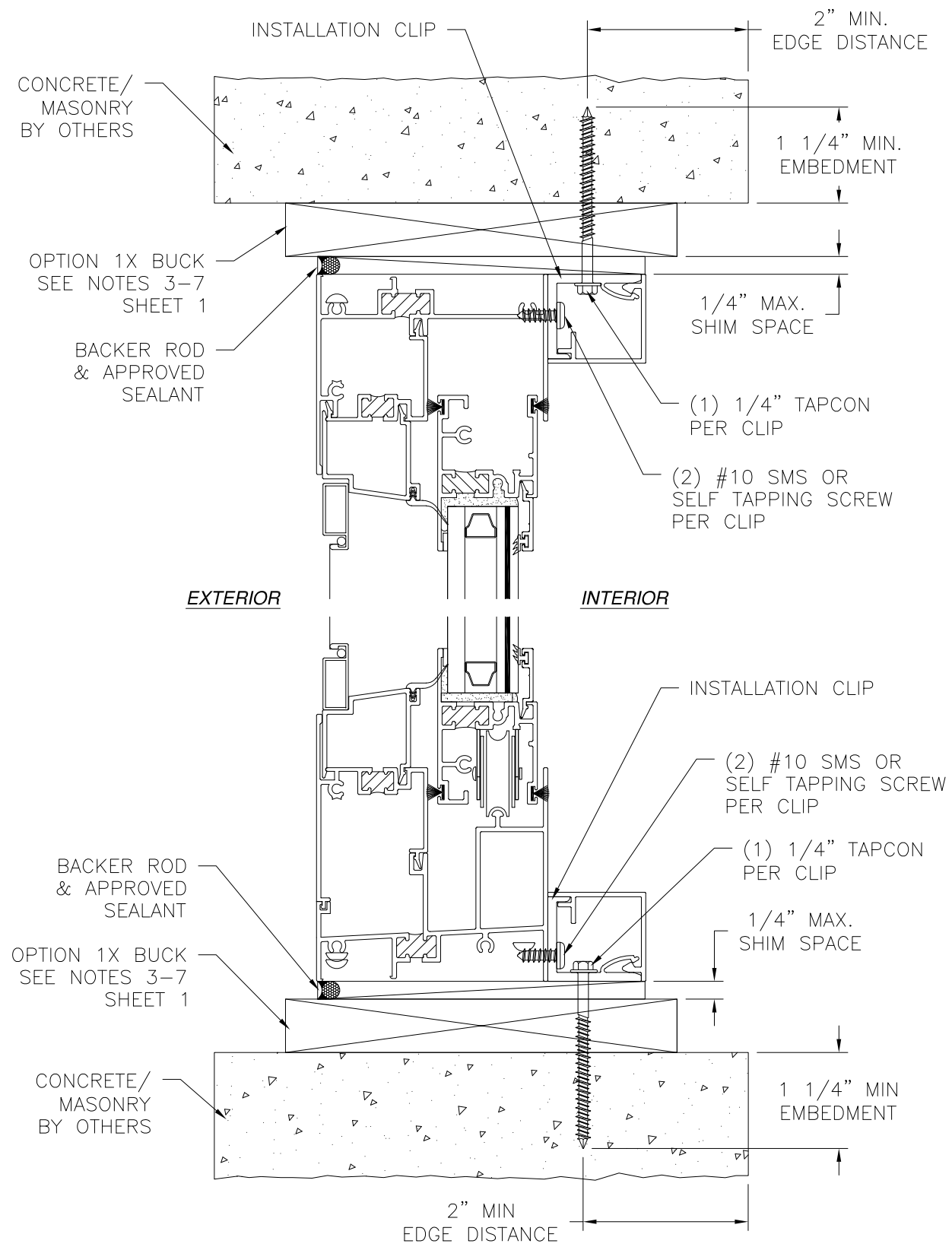
DRAWN: A.R.	DWG NO. 08-03385	REV -
SCALE NTS	DATE 02/15/19	SHEET 4 OF 7

L. ROBERTO LOMAS P.E.  
1432 WOODFORD RD LEWISVILLE, NC 27023  
434-688-0609 rllomas@rlomaspe.com

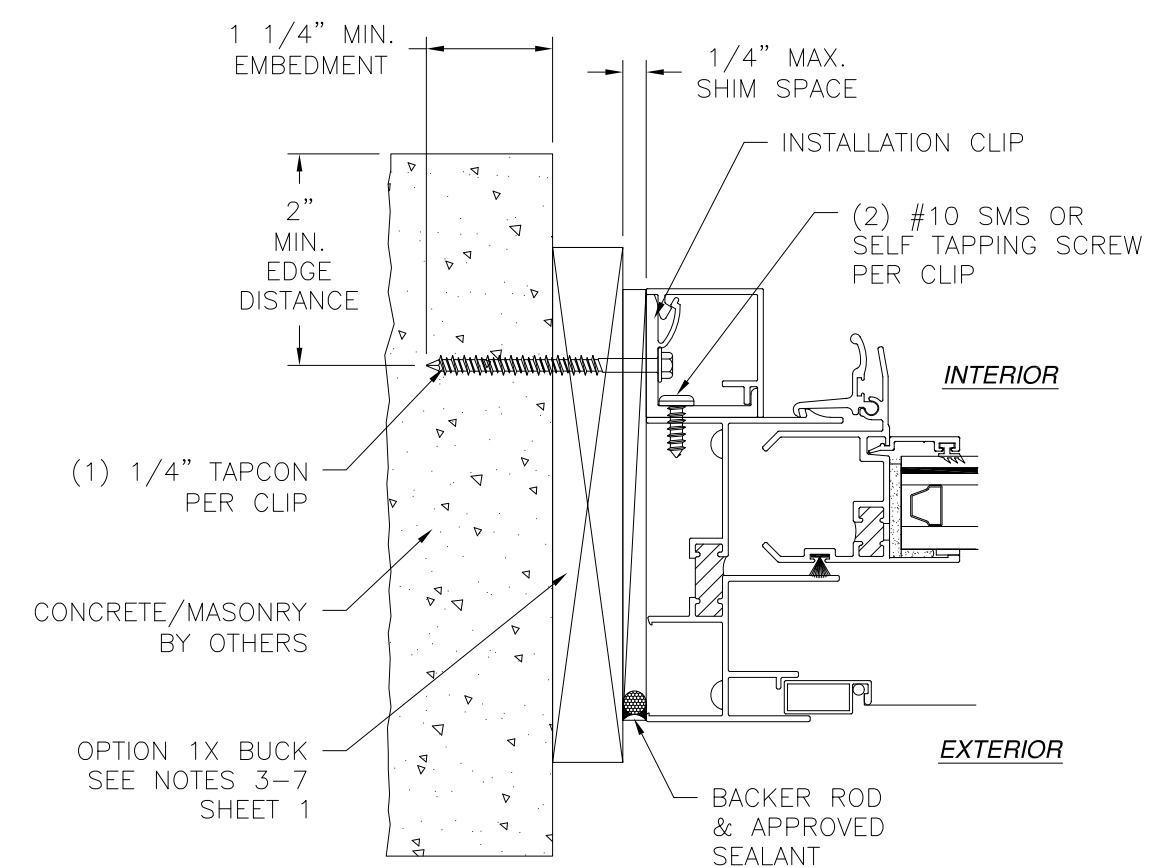


Luis R. Lomas P.E.  
FL No.: 62514

REVISIONS			
REV	DESCRIPTION	DATE	APPROVED



**VERTICAL CROSS SECTION**  
CONCRETE/MASONRY INSTALLATION



**JAMB INSTALLATION DETAIL**  
FRAME JAMB LOCK SIDE SHOWN, FRAME JAMB SIMILAR  
CONCRETE/MASONRY INSTALLATION

- NOTES:**
1. INTERIOR AND EXTERIOR FINISHES, BY OTHERS, NOT SHOWN FOR CLARITY.
  2. PERIMETER AND JOINT SEALANT BY OTHERS TO BE DESIGNED IN ACCORDANCE WITH ASTM E2112

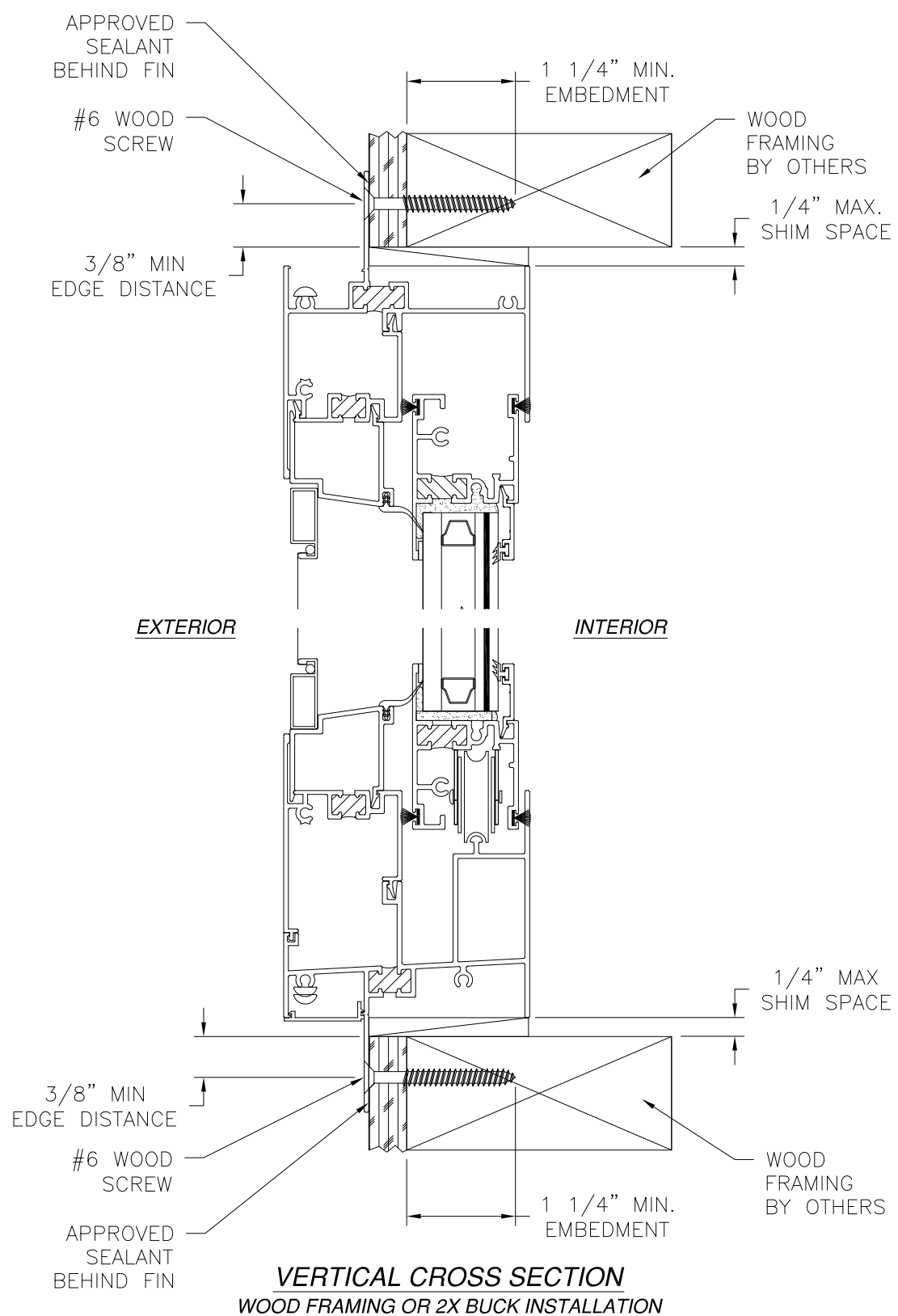
SIGNED: 03/11/2019

<b>ALL SEASONS COMMERCIAL</b> 1293 NORTH HARVEY MITCHELL PARKWAY BRYAN, TX 77803		
3250 ALUMINUM HORIZONTAL SLIDING WINDOW IMPACT INSTALLATION DETAILS		
DRAWN: A.R.	DWG NO. 08-03385	REV -
SCALE NTS	DATE 02/15/19	SHEET 5 OF 7
L. ROBERTO LOMAS P.E. 1432 WOODFORD RD LEWISVILLE, NC 27023 434-688-0609 rllomas@rlomaspe.com		

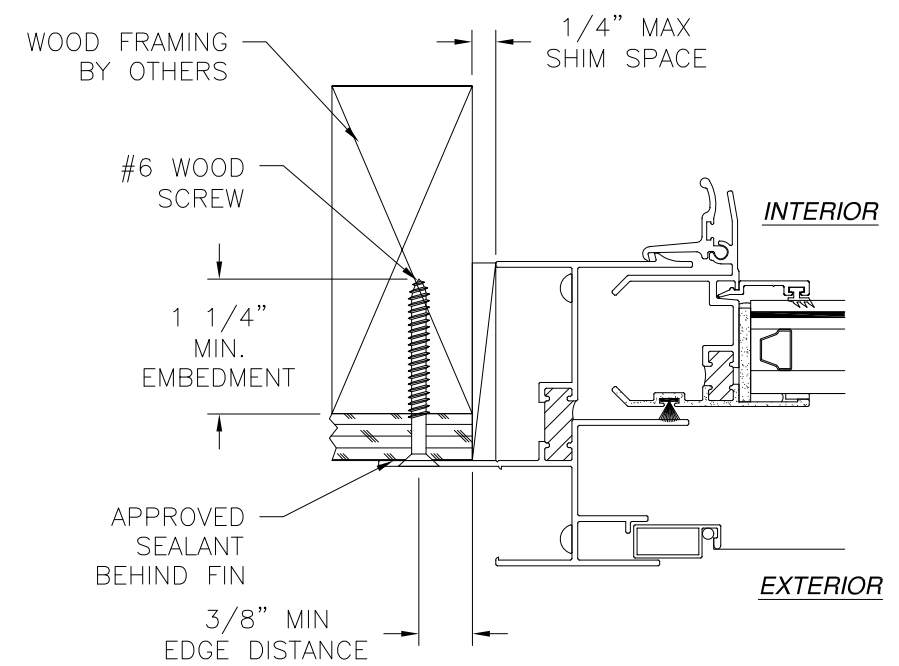


Luis R. Lomas P.E.  
FL No.: 62514

REVISIONS			
REV	DESCRIPTION	DATE	APPROVED



**VERTICAL CROSS SECTION**  
WOOD FRAMING OR 2X BUCK INSTALLATION

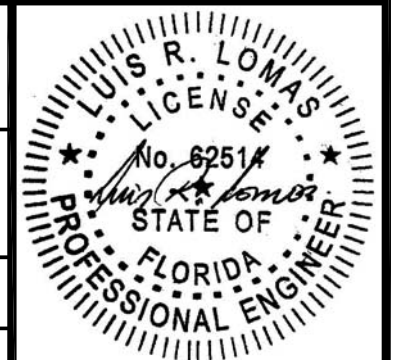


**JAMB INSTALLATION DETAIL**  
FRAME JAMB LOCK SIDE SHOWN, FRAME JAMB SIMILAR  
WOOD FRAMING OR 2X BUCK INSTALLATION

- NOTES:**
1. INTERIOR AND EXTERIOR FINISHES, BY OTHERS, NOT SHOWN FOR CLARITY.
  2. PERIMETER AND JOINT SEALANT BY OTHERS TO BE DESIGNED IN ACCORDANCE WITH ASTM E2112

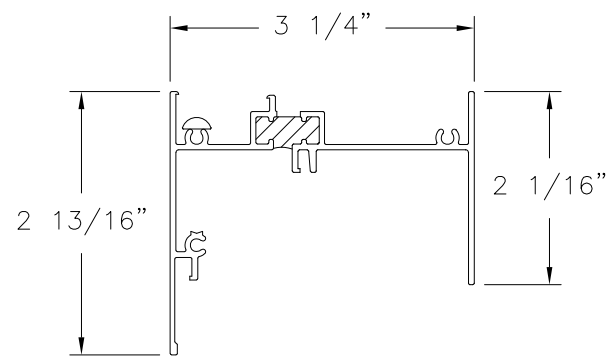
SIGNED: 03/11/2019

<b>ALL SEASONS COMMERCIAL</b> 1293 NORTH HARVEY MITCHELL PARKWAY BRYAN, TX 77803		
3250 ALUMINUM HORIZONTAL SLIDING WINDOW IMPACT FIN INSTALLATION DETAILS		
DRAWN: A.R.	DWG NO. 08-03385	REV -
SCALE NTS	DATE 02/15/19	SHEET 6 OF 7
L. ROBERTO LOMAS P.E. 1432 WOODFORD RD LEWISVILLE, NC 27023 434-688-0609 rllomas@lrlomaspe.com		

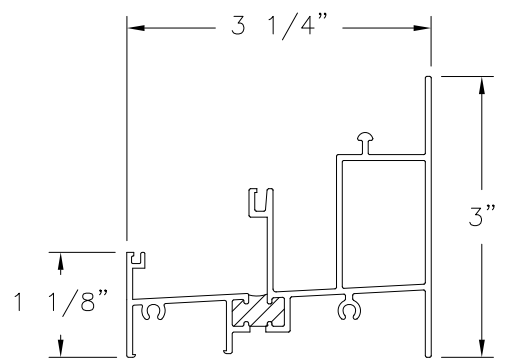


Luis R. Lomas P.E.  
FL No.: 62514

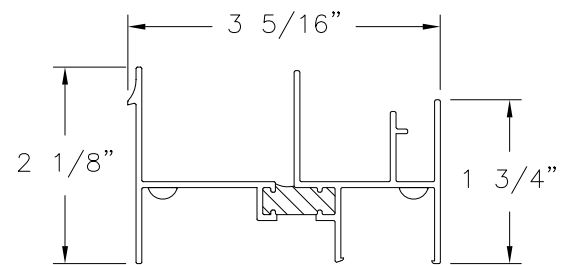
REVISIONS			
REV	DESCRIPTION	DATE	APPROVED



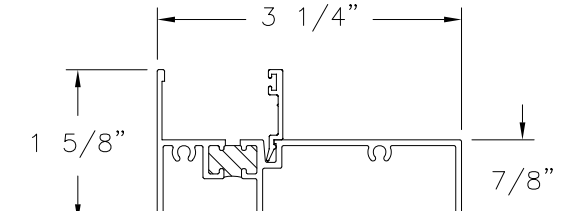
**HEAD  
FRAME INSTALLATION**  
ALUMINUM 6063-T5 (12949)



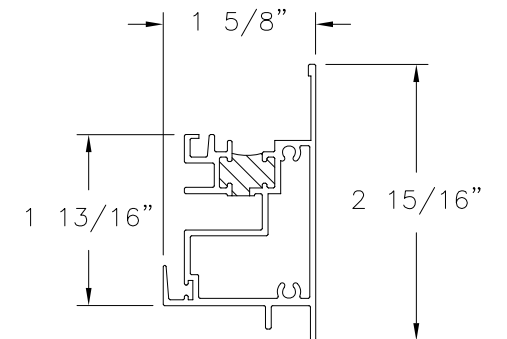
**SILL  
FRAME INSTALLATION**  
ALUMINUM 6063-T5 (12950)



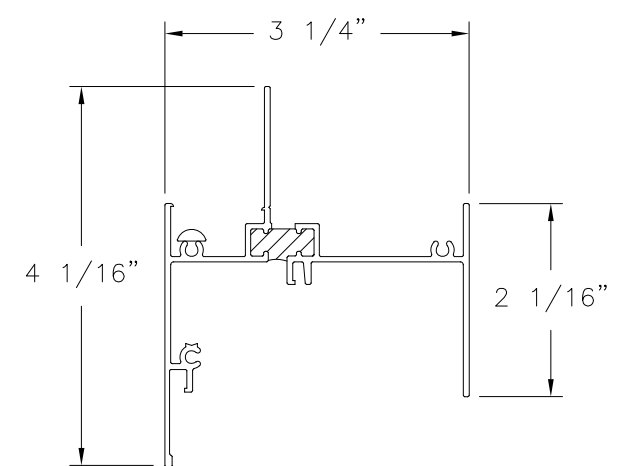
**JAMB LOCK SIDE  
FRAME INSTALLATION**  
ALUMINUM 6063-T5 (12951)



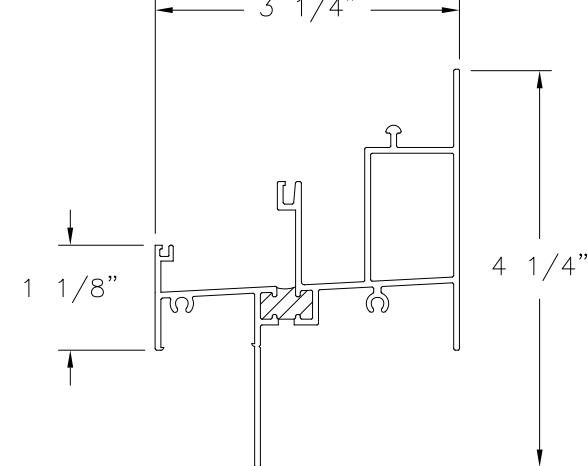
**JAMB  
FRAME INSTALLATION**  
ALUMINUM 6063-T5 (12964)



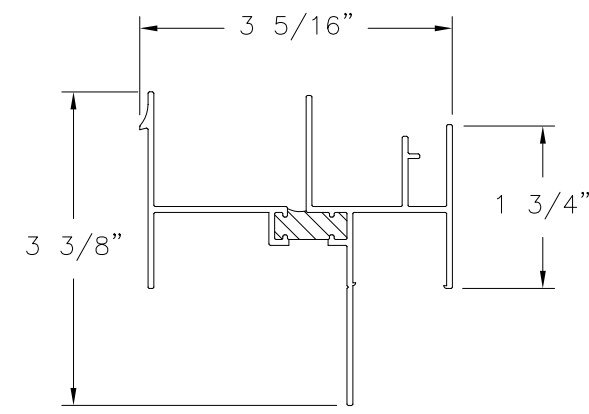
**MEETING RAIL**  
ALUMINUM 6063-T5 (12957)



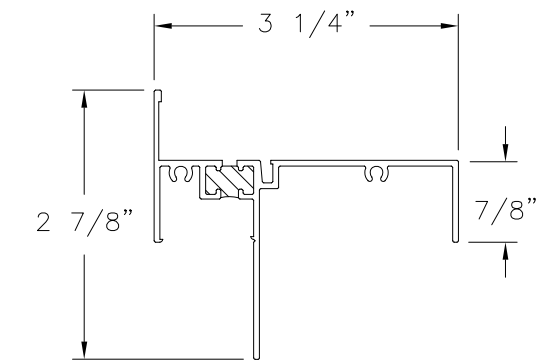
**HEAD  
FIN INSTALLATION**  
ALUMINUM 6063-T5 (12949)



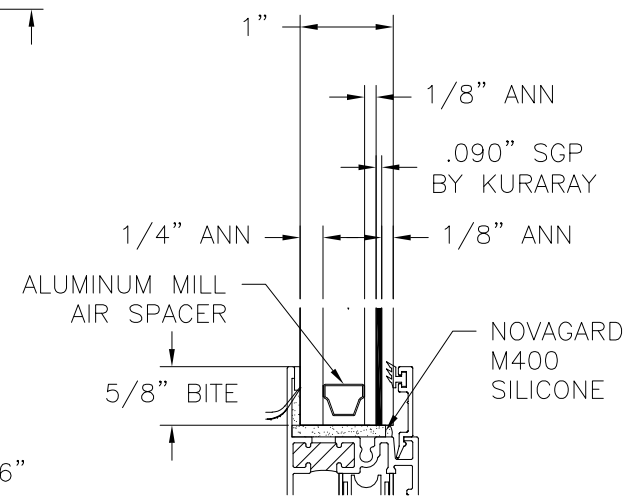
**SILL  
FIN INSTALLATION**  
ALUMINUM 6063-T5 (12950)



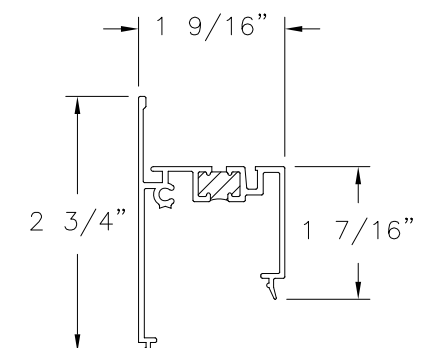
**JAMB LOCK SIDE  
FIN INSTALLATION**  
ALUMINUM 6063-T5 (12951)



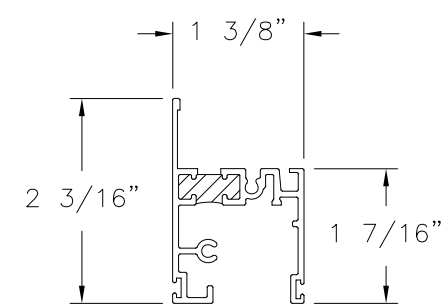
**JAMB  
FIN INSTALLATION**  
ALUMINUM 6063-T5 (12964)



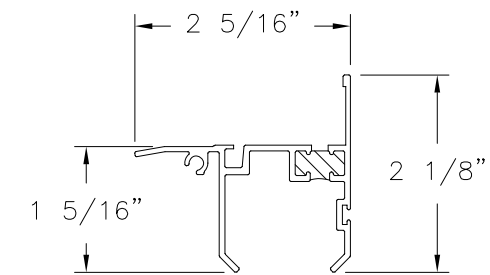
**GLAZING DETAIL**



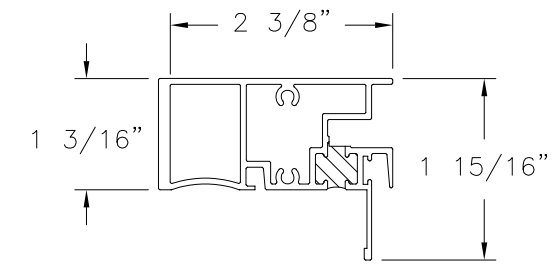
**SILL SNAP, GLAZING LEG**  
ALUMINUM 6063-T5 (13323)



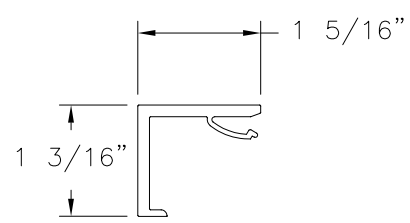
**SASH TOP, BOTTOM RAIL**  
ALUMINUM 6063-T5 (12955)



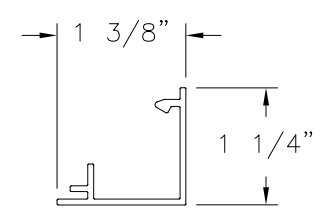
**SASH STILE**  
ALUMINUM 6063-T5 (12954)



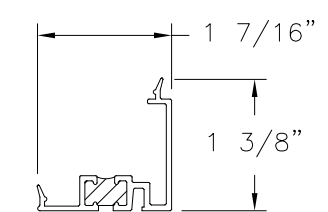
**SASH INTERLOCK JAMB**  
ALUMINUM 6063-T5 (12953)



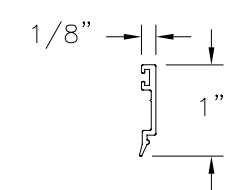
**INSTALL CLIP**  
ALUMINUM 6063-T5 (970)



**INSTALL CLIP COVER**  
ALUMINUM 6063-T5 (969)



**FRAME HEAD INSERT**  
ALUMINUM 6063-T5 (12952)



**GLAZING BEAD**  
ALUMINUM 6063-T5 (12972)

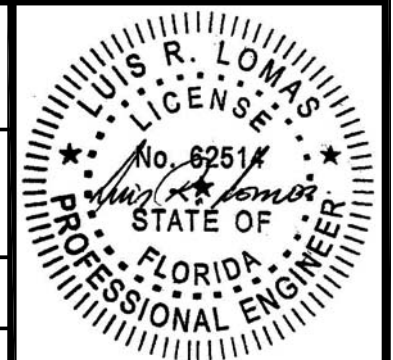
ALL SEASONS COMMERCIAL  
1293 NORTH HARVEY MITCHELL PARKWAY  
BRYAN, TX 77803

3250 ALUMINUM HORIZONTAL SLIDING WINDOW  
IMPACT  
COMPONENTS AND GLAZING DETAIL

DRAWN: A.R.	DWG NO. 08-03385	REV -
SCALE NTS	DATE 02/15/19	SHEET 7 OF 7

L. ROBERTO LOMAS P.E.  
1432 WOODFORD RD LEWISVILLE, NC 27023  
434-688-0609 rllomas@rlomaspe.com

SIGNED: 03/11/2019



Luis R. Lomas P.E.  
FL No.: 62514