

REVISIONS			
REV	DESCRIPTION	DATE	APPROVED
A	REVISED PER NEW STANDARDS	01/11/2022	R.L.

NOTES:

1. THE PRODUCT SHOWN HEREIN IS DESIGNED AND MANUFACTURED TO COMPLY WITH REQUIREMENTS OF THE FLORIDA BUILDING CODE.
2. WOOD FRAMING AND MASONRY OPENING TO BE DESIGNED AND ANCHORED TO PROPERLY TRANSFER ALL LOADS TO STRUCTURE. FRAMING AND MASONRY OPENING IS THE RESPONSIBILITY OF THE ARCHITECT OR ENGINEER OF RECORD.
3. WHERE SHIM OR BUCK THICKNESS IS LESS THAN 1-1/2" UNITS MUST BE ANCHORED THROUGH THE FRAME IN ACCORDANCE WITH MANUFACTURER'S PUBLISHED INSTALLATION INSTRUCTIONS. ANCHORS SHALL BE SECURELY FASTENED DIRECTLY INTO MASONRY, CONCRETE OR OTHER STRUCTURAL SUBSTRATE MATERIAL.
4. WHERE WOOD BUCK THICKNESS IS 1-1/2" OR GREATER, BUCK SHALL BE SECURELY FASTENED TO MASONRY, CONCRETE OR OTHER STRUCTURAL SUBSTRATE. UNITS MAY BE ANCHORED THROUGH FRAME TO SECURED WOOD BUCK IN ACCORDANCE WITH MANUFACTURER'S PUBLISHED INSTALLATION INSTRUCTIONS.
5. WHERE 1X BUCK IS NOT USED DISSIMILAR MATERIALS MUST BE SEPARATED WITH APPROVED COATING OR MEMBRANE. SELECTION OF COATING OR MEMBRANE IS THE RESPONSIBILITY OF THE ARCHITECT OR ENGINEER OF RECORD.
6. BUCKS SHALL EXTEND BEYOND UNIT FRAME INTERIOR FACE SO THAT FULL FRAME SUPPORT IS PROVIDED.
7. FOR FIN INSTALLATION SHIM AS NEEDED. FOR FRAME INSTALLATION SHIM AS REQUIRED AT EACH ANCHOR LOCATION WITH LOAD BEARING SHIM. SHIM WHERE SPACE OF 1/16" OR GREATER OCCURS. MAXIMUM ALLOWABLE SHIM STACK TO BE 1/4".
8. SHIMS SHALL BE LOCATED, APPLIED AND MADE FROM MATERIALS AND THICKNESS CAPABLE OF SUSTAINING APPLICABLE LOADS.
9. WIND LOAD DURATION FACTOR Cd=1.6 WAS USED FOR WOOD ANCHOR CALCULATIONS.
10. FRAME MATERIAL: EXTRUDED RIGID PVC.
11. UNITS MUST BE GLAZED PER ASTM E1300 SEE SHEET 2 FOR GLASS DETAILS.
12. APPROVED IMPACT PROTECTIVE SYSTEM IS NOT REQUIRED FOR THIS PRODUCT IN WIND BORNE DEBRIS REGIONS.
13. FOR ANCHORING THROUGH FIN INTO WOOD FRAMING OR 2X BUCK USE #8 WOOD SCREWS WITH SUFFICIENT LENGTH TO ACHIEVE A 1 1/2" MINIMUM EMBEDMENT INTO SUBSTRATE. LOCATE ANCHORS AS SHOWN IN ELEVATIONS AND INSTALLATION DETAILS.

14. FOR ANCHORING THROUGH FRAME INTO WOOD FRAMING OR 2X BUCK USE #12 WOOD SCREWS WITH SUFFICIENT LENGTH TO ACHIEVE A 1 3/8" MINIMUM EMBEDMENT INTO SUBSTRATE. LOCATE ANCHORS AS SHOWN IN ELEVATIONS AND INSTALLATION DETAILS.
15. FOR ANCHORING THROUGH FRAME INTO MASONRY/CONCRETE USE 1/4" TAPCONS WITH SUFFICIENT LENGTH TO ACHIEVE A 1 1/4" MINIMUM EMBEDMENT INTO SUBSTRATE WITH 2" MINIMUM EDGE DISTANCE. LOCATE ANCHORS AS SHOWN IN ELEVATIONS AND INSTALLATION DETAILS.
16. FOR ANCHORING THROUGH FRAME INTO METAL STRUCTURE USE #12 SMS OR SELF DRILLING SCREWS WITH SUFFICIENT LENGTH TO ACHIEVE 3 THREADS MINIMUM BEYOND STRUCTURE INTERIOR WALL. LOCATE ANCHORS AS SHOWN IN ELEVATIONS AND INSTALLATION DETAILS.
17. ALL FASTENERS TO BE CORROSION RESISTANT.
18. INSTALLATION ANCHORS SHALL BE INSTALLED IN ACCORDANCE WITH ANCHOR MANUFACTURER'S INSTALLATION INSTRUCTIONS AND ANCHORS SHALL NOT BE USED IN SUBSTRATES WITH STRENGTHS LESS THAN THE MINIMUM STRENGTH SPECIFIED BELOW:
 - A. WOOD: MINIMUM SPECIFIC GRAVITY OF G=0.42
 - B. CONCRETE: MINIMUM COMPRESSIVE STRENGTH OF 2,000 PSI.
 - C. MASONRY: HOLLOW/FILLED BLOCK PER ASTM C90 WITH Fm=2,000PSI MINIMUM.
 - D. METAL STRUCTURE: STEEL 18GA (.048") FY=33KSI/FU=52KSI OR ALUMINUM 6063-T5 FU=30KSI 1/8" THICK MINIMUM

TABLE OF CONTENTS	
SHEET NO.	DESCRIPTION
1	NOTES
2 - 3	ELEVATIONS
4 - 7	INSTALLATION DETAILS
8	COMPONENTS

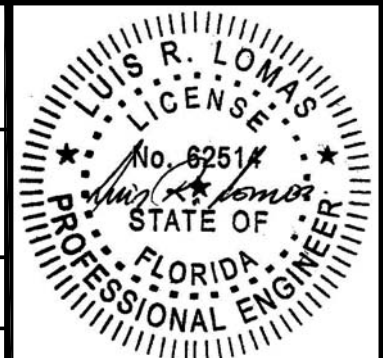
STERGIS WINDOWS & DOORS
79 WALTON STREET
ATTLEBORO, MA 02703

SERIES 1100/623 VINYL SGD
LARGE AND SMALL MISSILE IMPACT
NOTES

DRAWN: A.R.	DWG NO. 08-03367	REV A
SCALE NTS	DATE 12/20/18	SHEET 1 OF 8

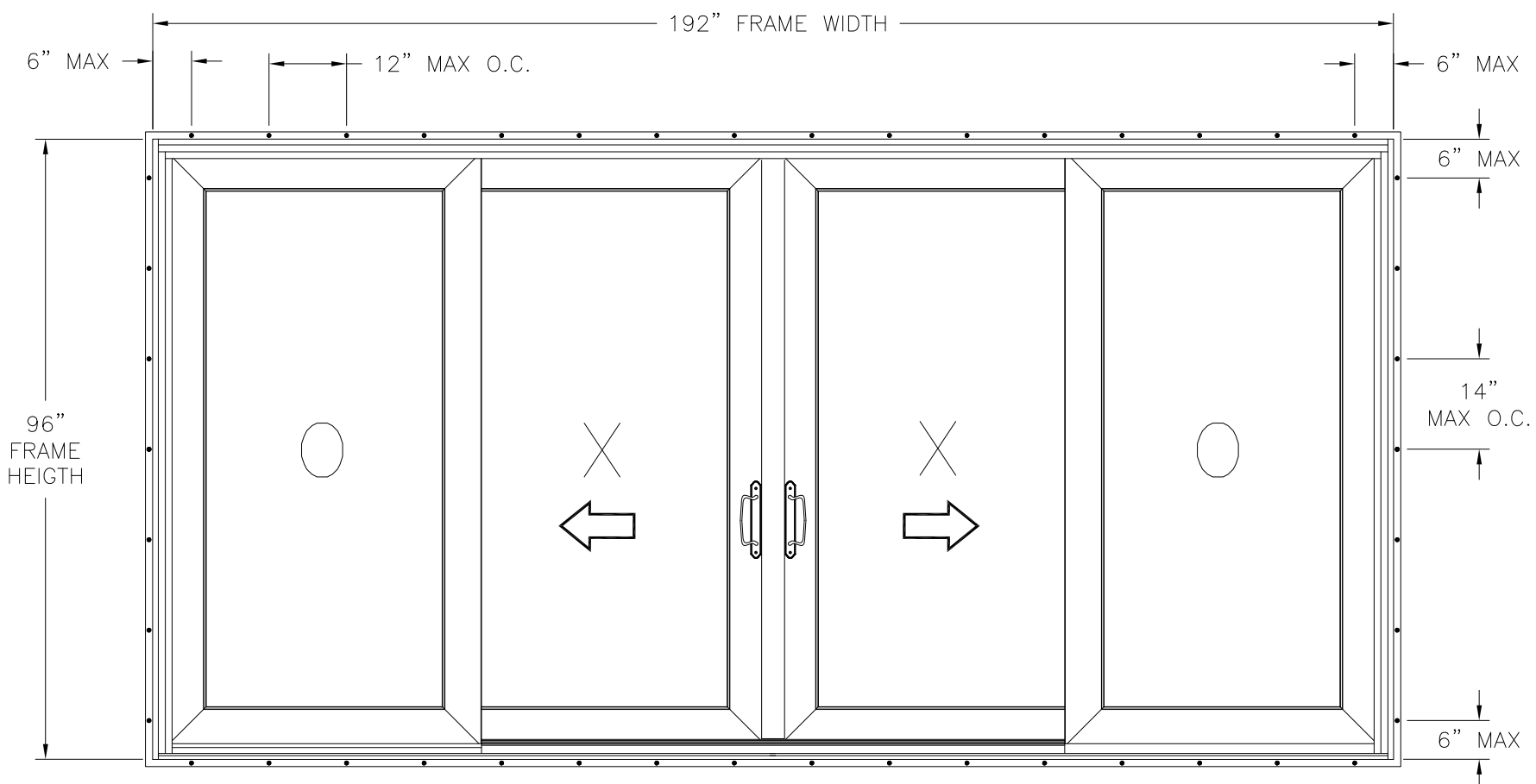
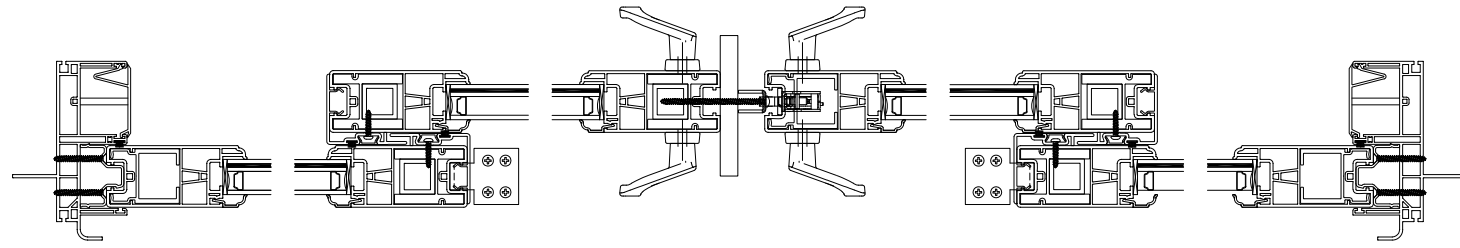
L. ROBERTO LOMAS P.E.
400 S. PALM AVE, INDIALANTIC, FL 32903
434-688-0609 rllomas@rlomaspe.com

SIGNED: 03/25/2022

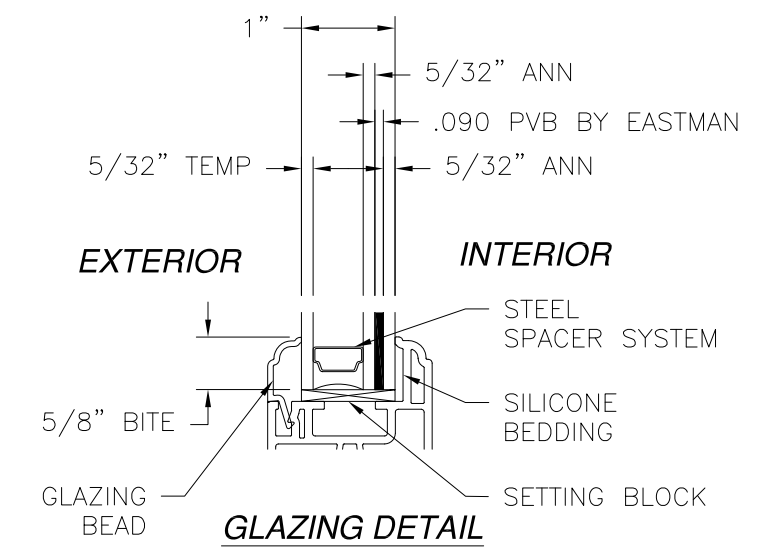


Luis R. Lomas P.E.
FL No.: 62514

REVISIONS			
REV	DESCRIPTION	DATE	APPROVED
A	REVISED PER NEW STANDARDS	01/11/2022	R.L.



NOTES:
 1. PANEL SIZE: 48 15/16" X 93 1/4"
 2. D.L.O.: 40 3/4" X 85"



SERIES 1100/623 VINYL SGD
 EXTERIOR VIEW FIN INSTALLATION

DESIGN PRESSURE RATING	IMPACT RATING
±50.0PSF	LARGE AND SMALL MISSILE IMPACT

MISSILE LEVEL D, WIND ZONE 4

4 PANELS SHOWN, UNLIMITED CONFIGURATIONS UP TO 4 PANELS IS APPLICABLE AS LONG AS INDIVIDUAL PANEL AREA DOES NOT EXCEED 31.69 FT²

HARDWARE SCHEDULE

A.	(4) STEEL ADJUSTABLE TANDEM ROLLER AT EACH OPERABLE PANEL BOTTOM RAIL CORNER
B.	(2) INSIDE/OUTSIDE PULL HANDLE AT LOCK STILE OF OPERABLE PANEL
C.	(1) AMESBURY 2 POINT LOCK AT STILE OF OPERABLE PANEL, 38 1/4" FROM BOTTOM OF PANEL
D.	(1) STEEL KEEPER AT LATCH STILE OF OPERABLE PANEL, 38 1/4" FROM BOTTOM OF PANEL
E.	(1) H SHAPED ALUMINUM REINFORCEMENT AT EACH FIXED PANEL ASTRAGAL AND INTERLOCK STILES AND OPERABLE PANEL INTERLOCK STILE

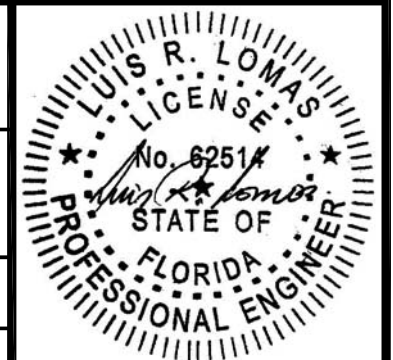
SIGNED: 03/25/2022

STERGIS WINDOWS & DOORS
 79 WALTON STREET
 ATTLEBORO, MA 02703

SERIES 1100/623 VINYL SGD
 LARGE AND SMALL MISSILE IMPACT
 ELEVATION

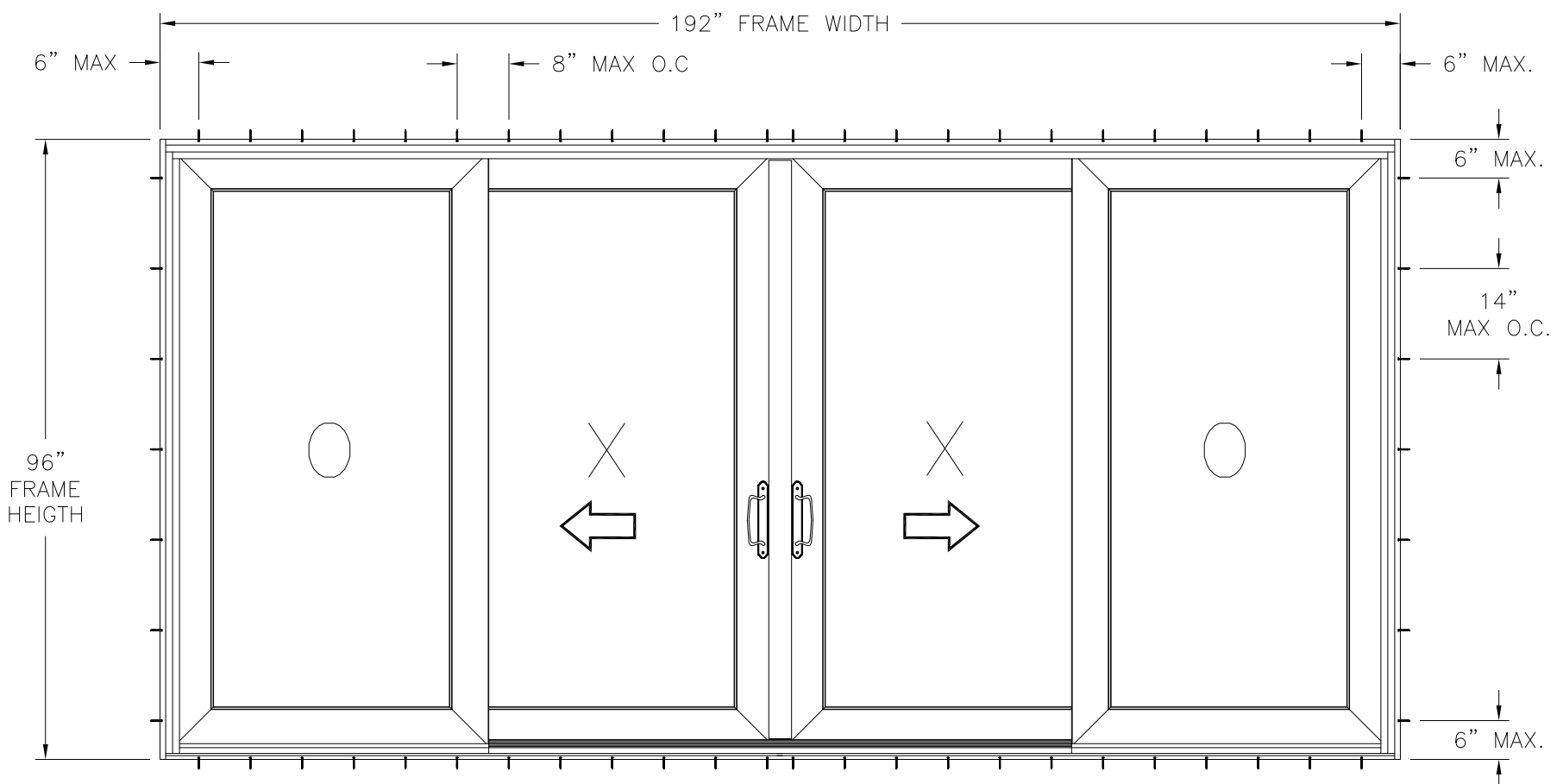
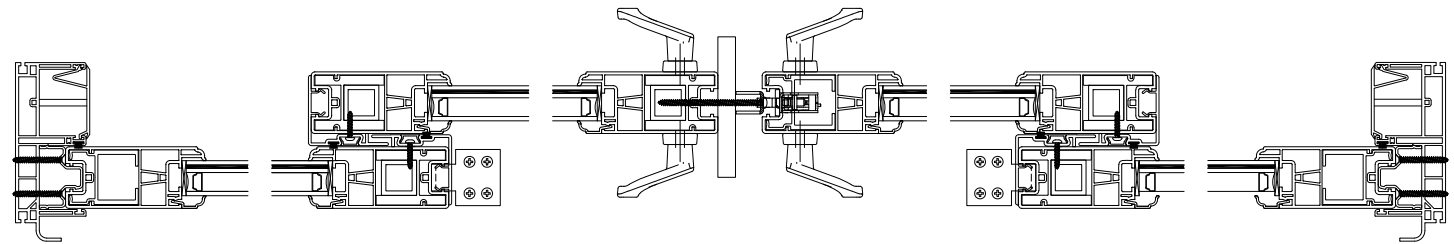
DRAWN: A.R.	DWG NO. 08-03367	REV A
SCALE NTS	DATE 12/20/18	SHEET 2 OF 8

L. ROBERTO LOMAS P.E.
 400 S. PALM AVE, INDIAN LANTIC, FL 32903
 434-688-0609 rllomas@rlomaspe.com



Luis R. Lomas P.E.
 FL No.: 62514

REVISIONS			
REV	DESCRIPTION	DATE	APPROVED
A	REVISED PER NEW STANDARDS	01/11/2022	R.L.



NOTES:
 1. PANEL SIZE: 48 15/16" X 93 1/4"
 2. D.L.O.: 40 3/4" X 85"

SERIES 1100/623 VINYL SGD
 EXTERIOR VIEW FLANGE INSTALLATION

DESIGN PRESSURE RATING	IMPACT RATING
±50.0PSF	LARGE AND SMALL MISSILE IMPACT

MISSILE LEVEL D, WIND ZONE 4

4 PANELS SHOWN, UNLIMITED CONFIGURATIONS UP TO 4 PANELS IS APPLICABLE AS LONG AS INDIVIDUAL PANEL AREA DOES NOT EXCEED 31.69 FT²

HARDWARE SCHEDULE

A.	(4) STEEL ADJUSTABLE TANDEM ROLLER AT EACH OPERABLE PANEL BOTTOM RAIL CORNER
B.	(2) INSIDE/OUTSIDE PULL HANDLE AT LOCK STILE OF OPERABLE PANEL
C.	(1) AMESBURY 2 POINT LOCK AT STILE OF OPERABLE PANEL, 38 1/4" FROM BOTTOM OF PANEL
D.	(1) STEEL KEEPER AT LATCH STILE OF OPERABLE PANEL, 38 1/4" FROM BOTTOM OF PANEL
E.	(1) H SHAPED ALUMINUM REINFORCEMENT AT EACH FIXED PANEL ASTRAGAL AND INTERLOCK STILES AND OPERABLE PANEL INTERLOCK STILE

SIGNED: 03/25/2022

STERGIS WINDOWS & DOORS
 79 WALTON STREET
 ATTLEBORO, MA 02703

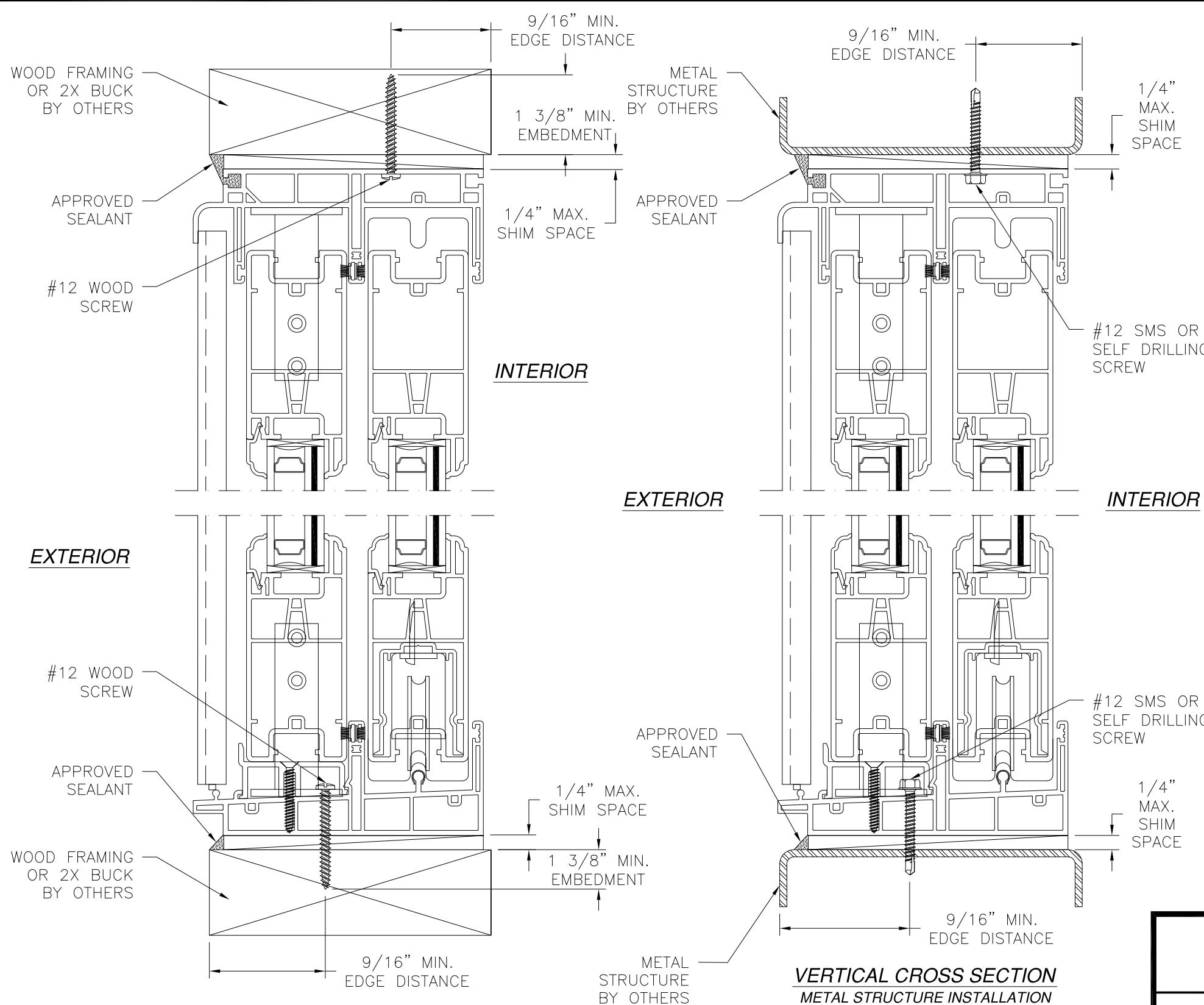
SERIES 1100/623 VINYL SGD
 LARGE AND SMALL MISSILE IMPACT
 ELEVATION

DRAWN: A.R.	DWG NO. 08-03367	REV A
SCALE NTS	DATE 12/20/18	SHEET 3 OF 8

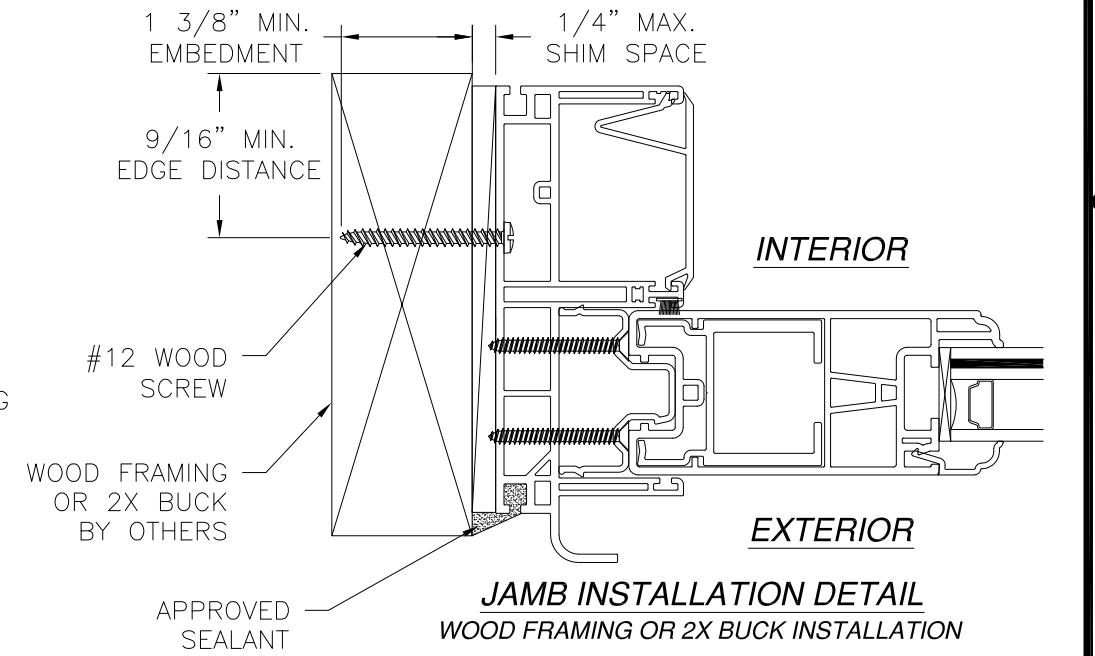
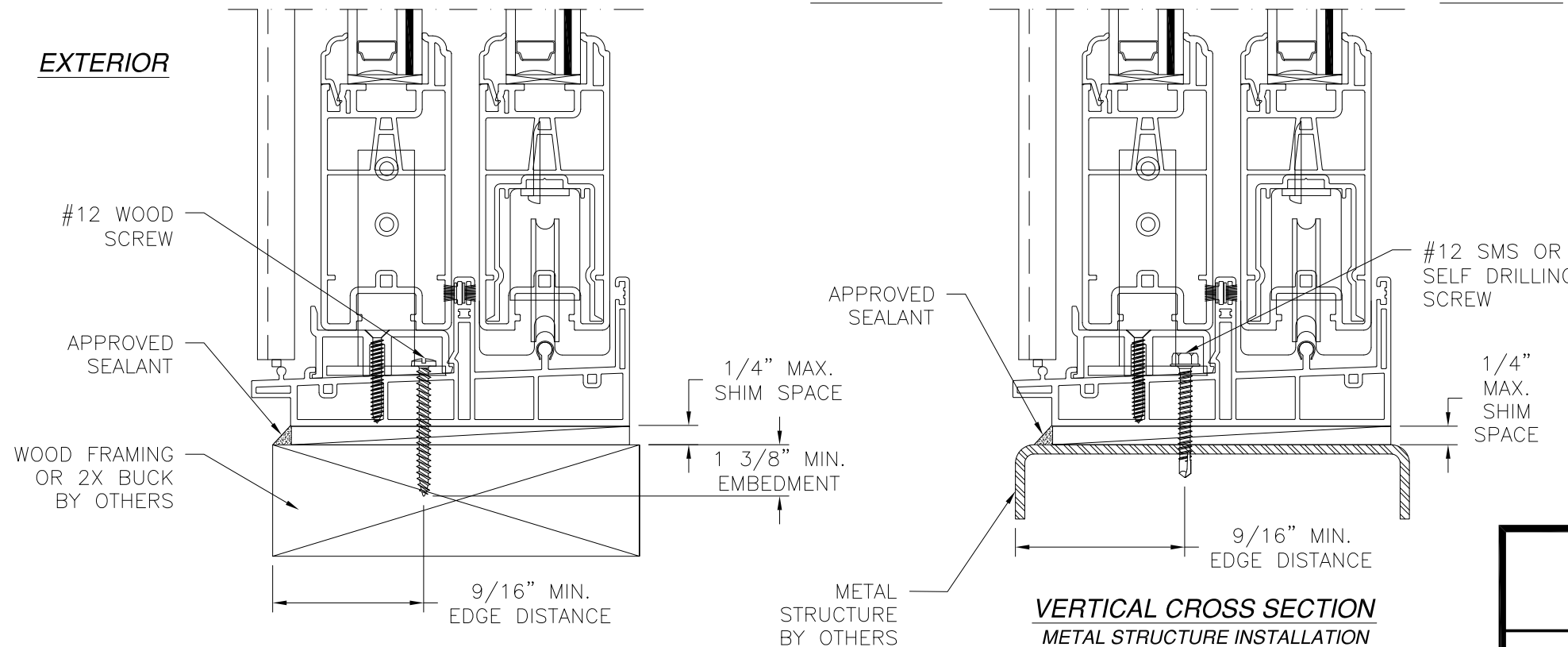
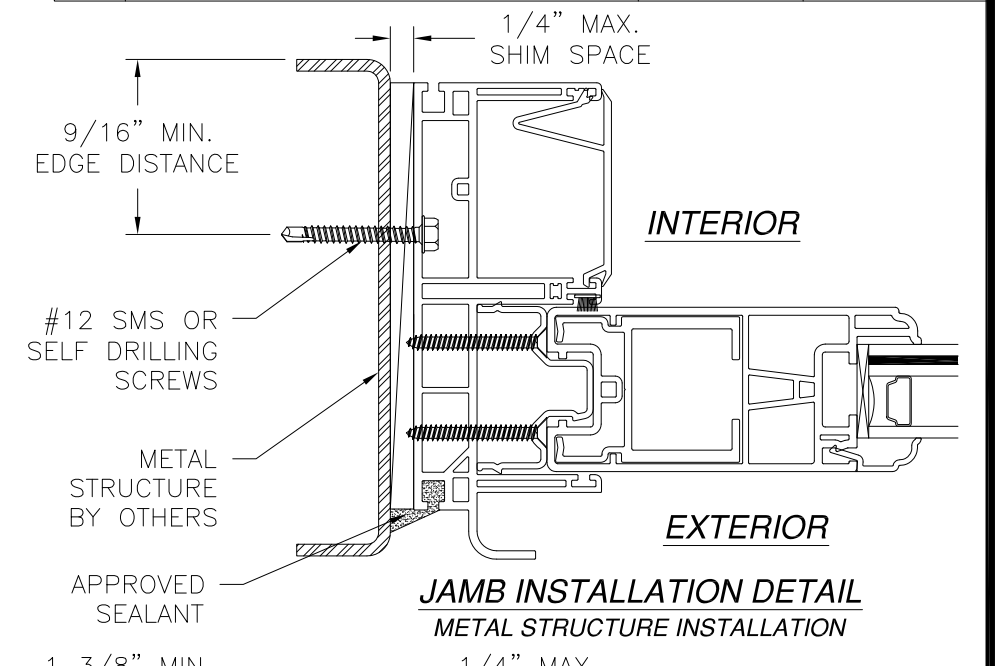
L. ROBERTO LOMAS P.E.
 400 S. PALM AVE, INDIALANTIC, FL 32903
 434-688-0609 rllomas@rlomaspe.com



Luis R. Lomas P.E.
 FL No.: 62514



REVISIONS			
REV	DESCRIPTION	DATE	APPROVED
A	REVISED PER NEW STANDARDS	01/11/2022	R.L.



VERTICAL CROSS SECTION
WOOD FRAMING OR 2X BUCK INSTALLATION

VERTICAL CROSS SECTION
METAL STRUCTURE INSTALLATION

JAMB INSTALLATION DETAIL
WOOD FRAMING OR 2X BUCK INSTALLATION

JAMB INSTALLATION DETAIL
METAL STRUCTURE INSTALLATION

SIGNED: 03/25/2022

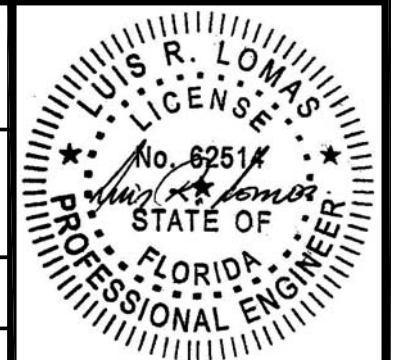
- NOTES:**
1. INTERIOR AND EXTERIOR FINISHES, BY OTHERS, NOT SHOWN FOR CLARITY.
 2. PERIMETER AND JOINT SEALANT BY OTHERS TO BE DESIGNED IN ACCORDANCE WITH ASTM E2112

STERGIS WINDOWS & DOORS
79 WALTON STREET
ATTLEBORO, MA 02703

SERIES 1100/623 VINYL SGD
LARGE AND SMALL MISSILE IMPACT
INSTALLATION DETAILS

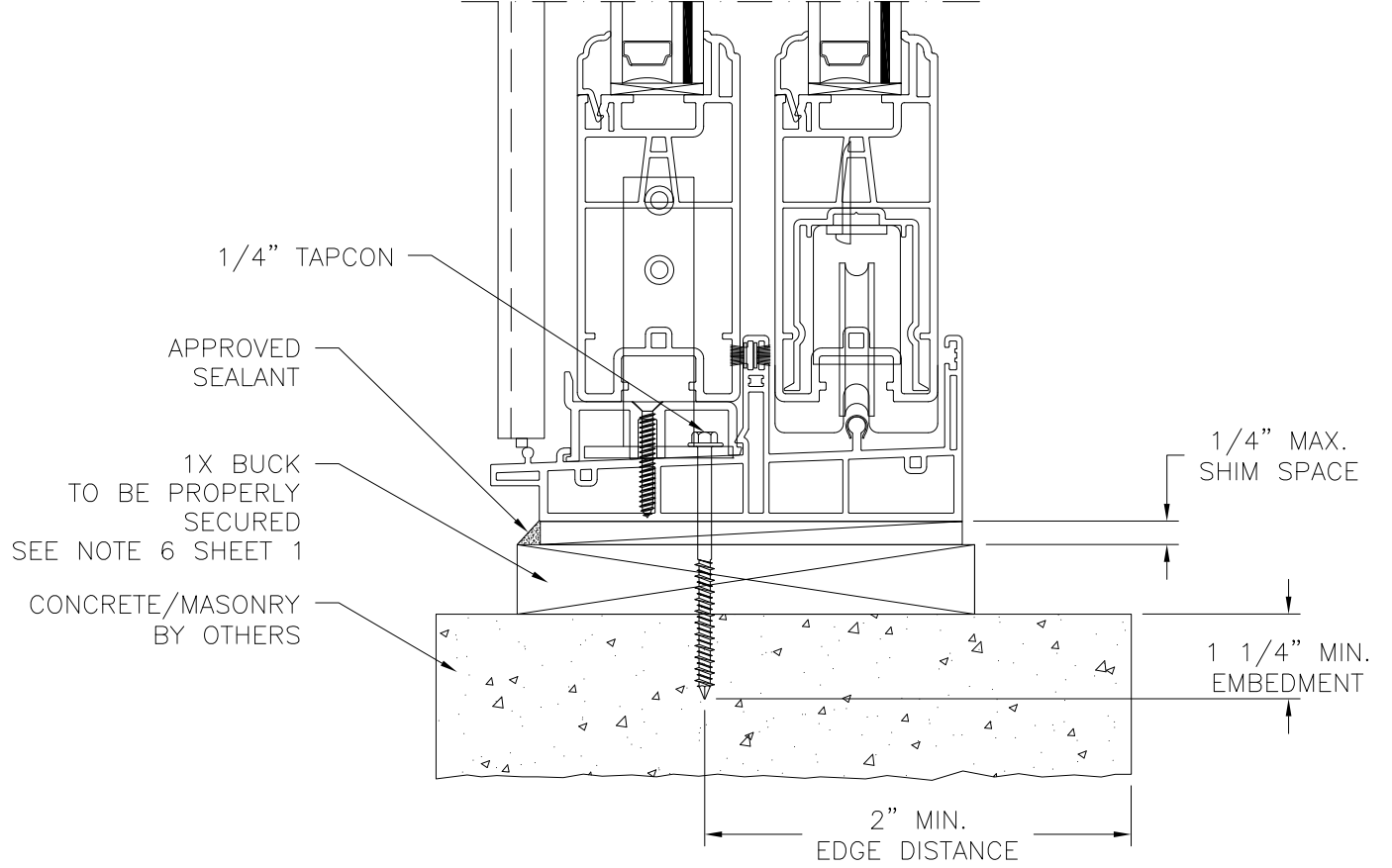
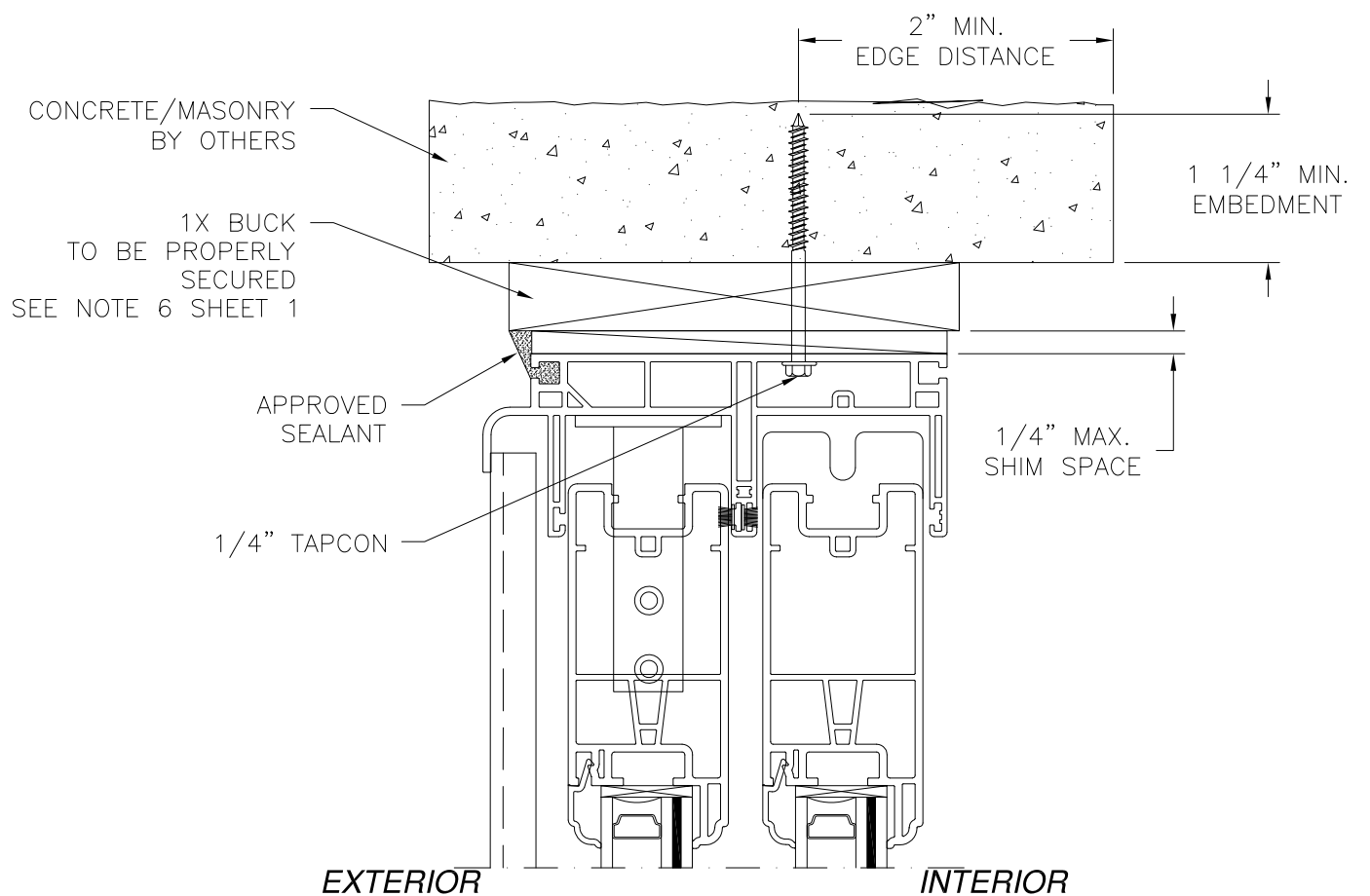
DRAWN: A.R.	DWG NO. 08-03367	REV A
SCALE NTS	DATE 12/20/18	SHEET 4 OF 8

L. ROBERTO LOMAS P.E.
400 S. PALM AVE, INDIALANTIC, FL 32903
434-688-0609 rllomas@rlomaspe.com

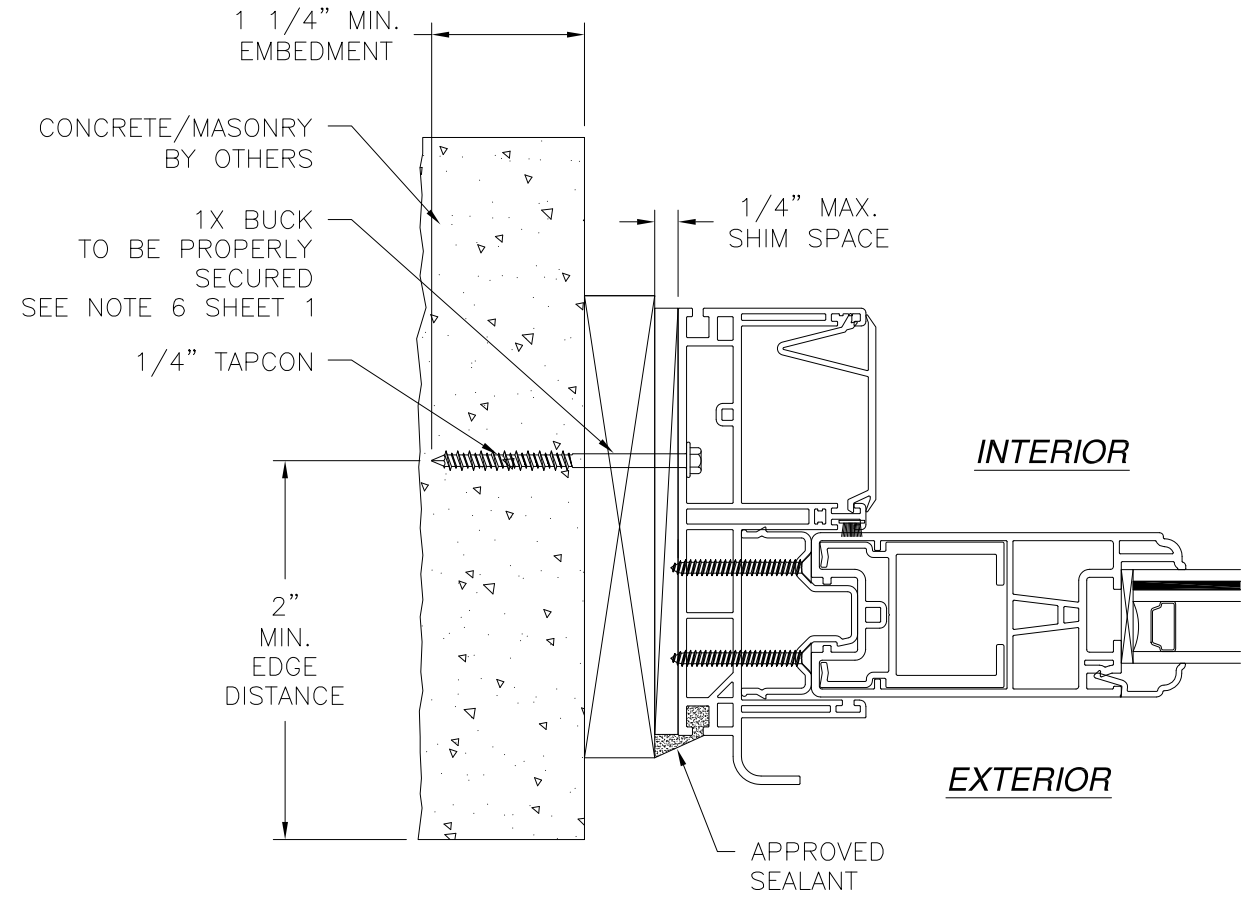


Luis R. Lomas P.E.
FL No.: 62514

REVISIONS			
REV	DESCRIPTION	DATE	APPROVED
A	REVISED PER NEW STANDARDS	01/11/2022	R.L.



VERTICAL CROSS SECTION
CONCRETE/MASONRY W/1X BUCK INSTALLATION



JAMB INSTALLATION DETAIL
CONCRETE/MASONRY W/1X BUCK INSTALLATION

- NOTES:**
- INTERIOR AND EXTERIOR FINISHES, BY OTHERS, NOT SHOWN FOR CLARITY.
 - PERIMETER AND JOINT SEALANT BY OTHERS TO BE DESIGNED IN ACCORDANCE WITH ASTM E2112

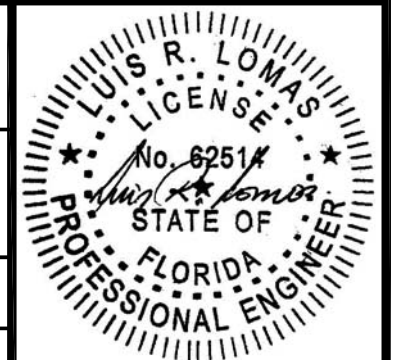
SIGNED: 03/25/2022

STERGIS WINDOWS & DOORS
79 WALTON STREET
ATTLEBORO, MA 02703

SERIES 1100/623 VINYL SGD
LARGE AND SMALL MISSILE IMPACT
INSTALLATION DETAILS

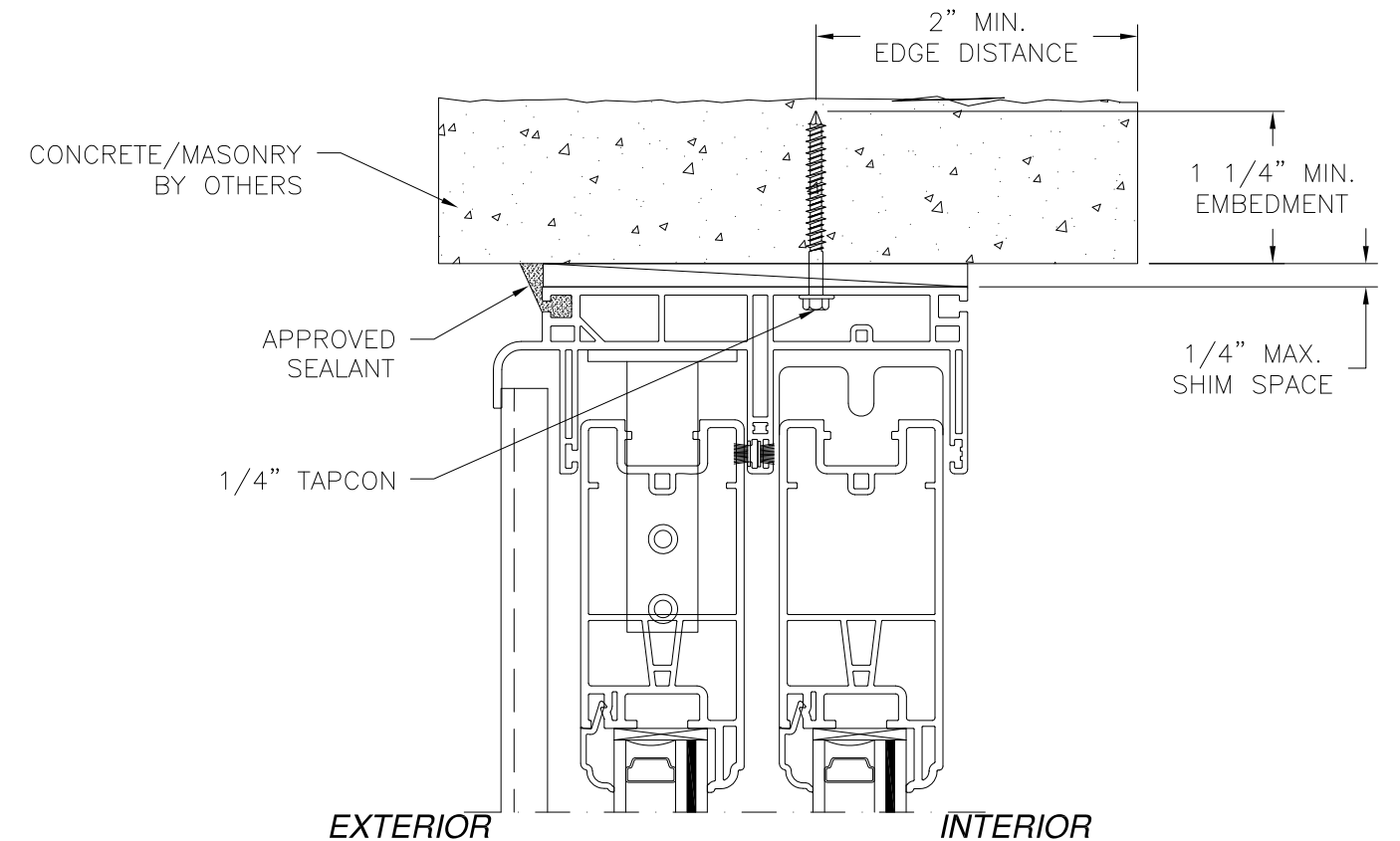
DRAWN: A.R.	DWG NO. 08-03367	REV A
SCALE NTS	DATE 12/20/18	SHEET 5 OF 8

L. ROBERTO LOMAS P.E.
400 S. PALM AVE, INDIALANTIC, FL 32903
434-688-0609 rllomas@rlomaspe.com

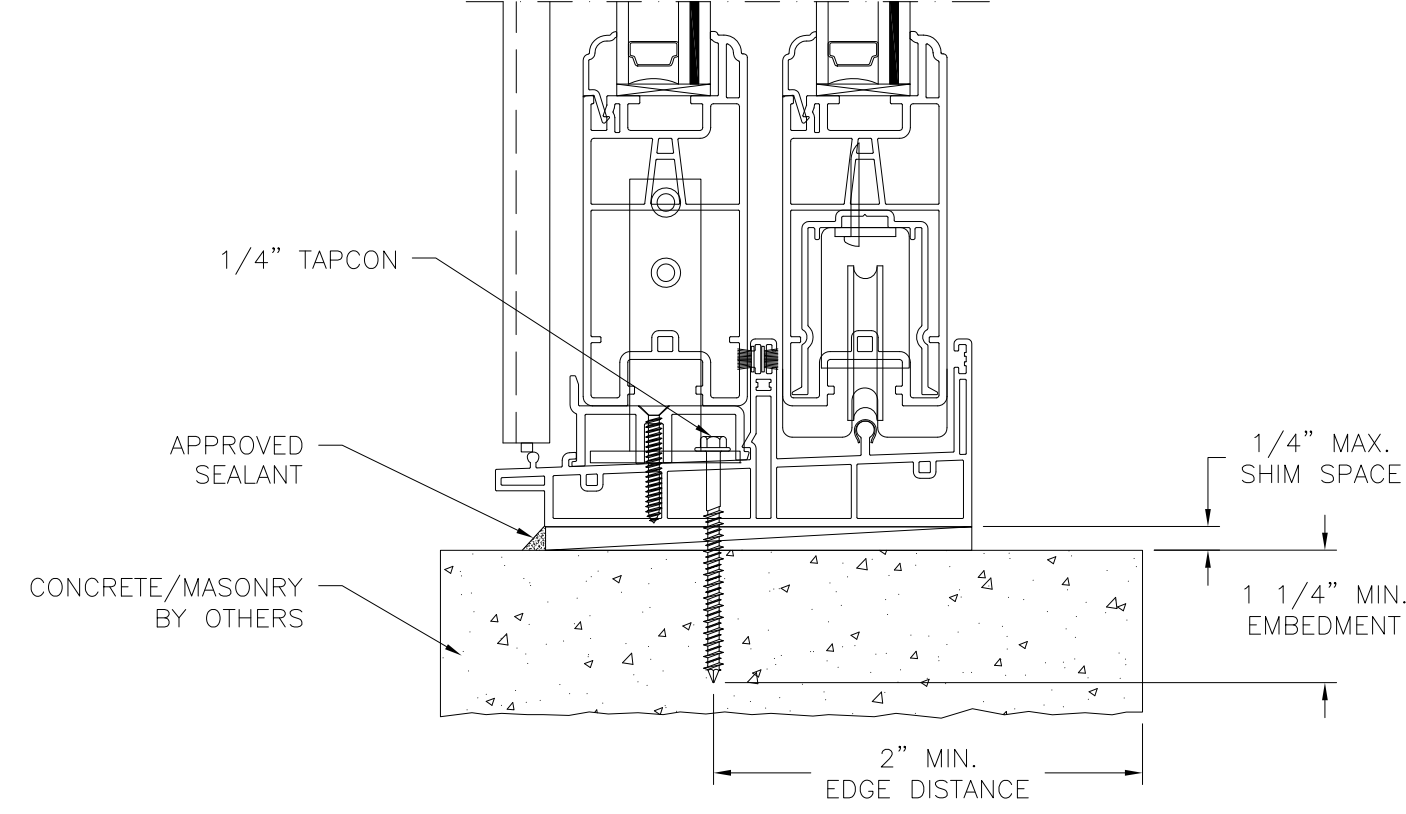


Luis R. Lomas P.E.
FL No.: 62514

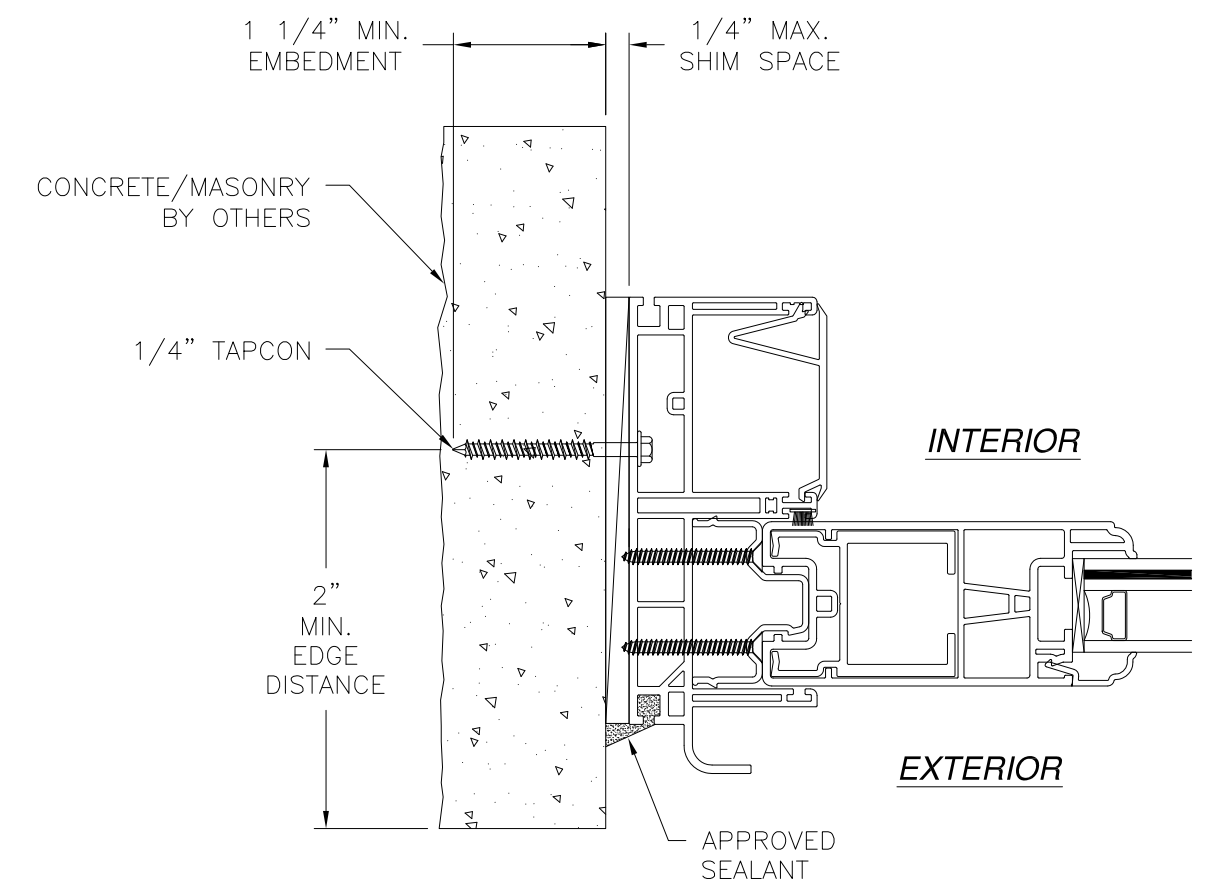
REVISIONS			
REV	DESCRIPTION	DATE	APPROVED
A	REVISED PER NEW STANDARDS	01/11/2022	R.L.



EXTERIOR INTERIOR



VERTICAL CROSS SECTION
CONCRETE/MASONRY INSTALLATION



JAMB INSTALLATION DETAIL
CONCRETE/MASONRY INSTALLATION

- NOTES:**
1. INTERIOR AND EXTERIOR FINISHES, BY OTHERS, NOT SHOWN FOR CLARITY.
 2. PERIMETER AND JOINT SEALANT BY OTHERS TO BE DESIGNED IN ACCORDANCE WITH ASTM E2112

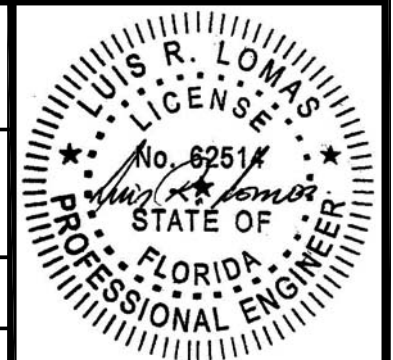
SIGNED: 03/25/2022

STERGIS WINDOWS & DOORS
79 WALTON STREET
ATTLEBORO, MA 02703

SERIES 1100/623 VINYL SGD
LARGE AND SMALL MISSILE IMPACT
INSTALLATION DETAILS

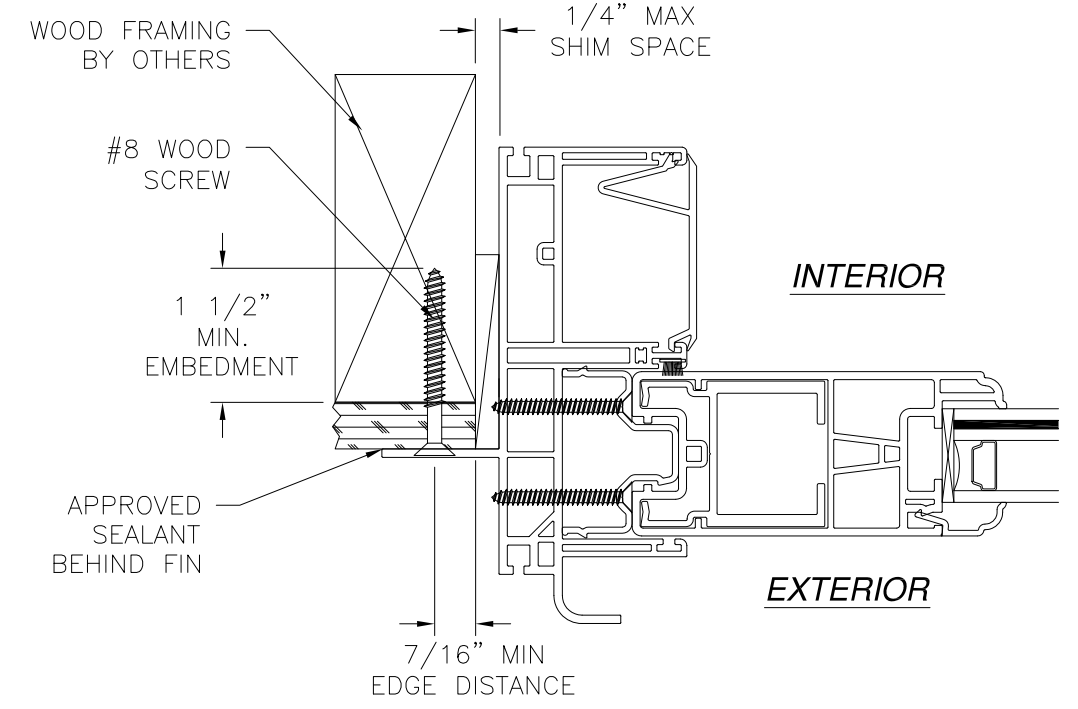
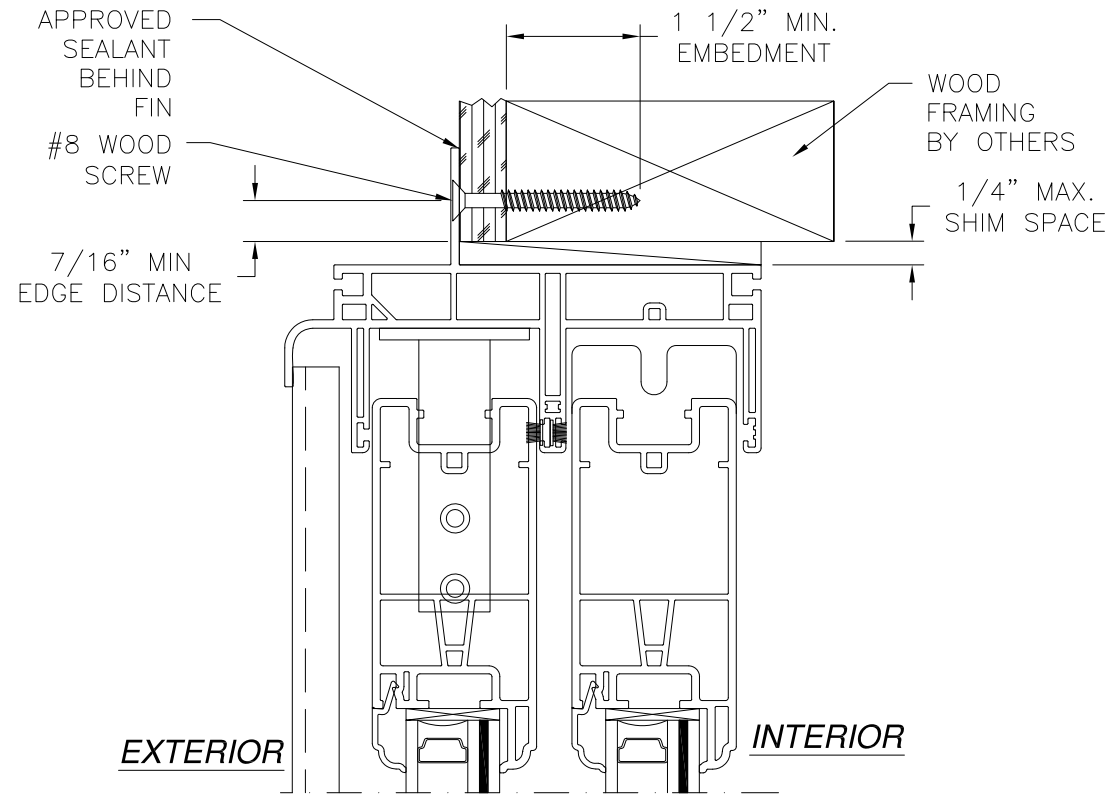
DRAWN: A.R.	DWG NO. 08-03367	REV A
SCALE NTS	DATE 12/20/18	SHEET 6 OF 8

L. ROBERTO LOMAS P.E.
400 S. PALM AVE, INDIALANTIC, FL 32903
434-688-0609 rllomas@rlomaspe.com

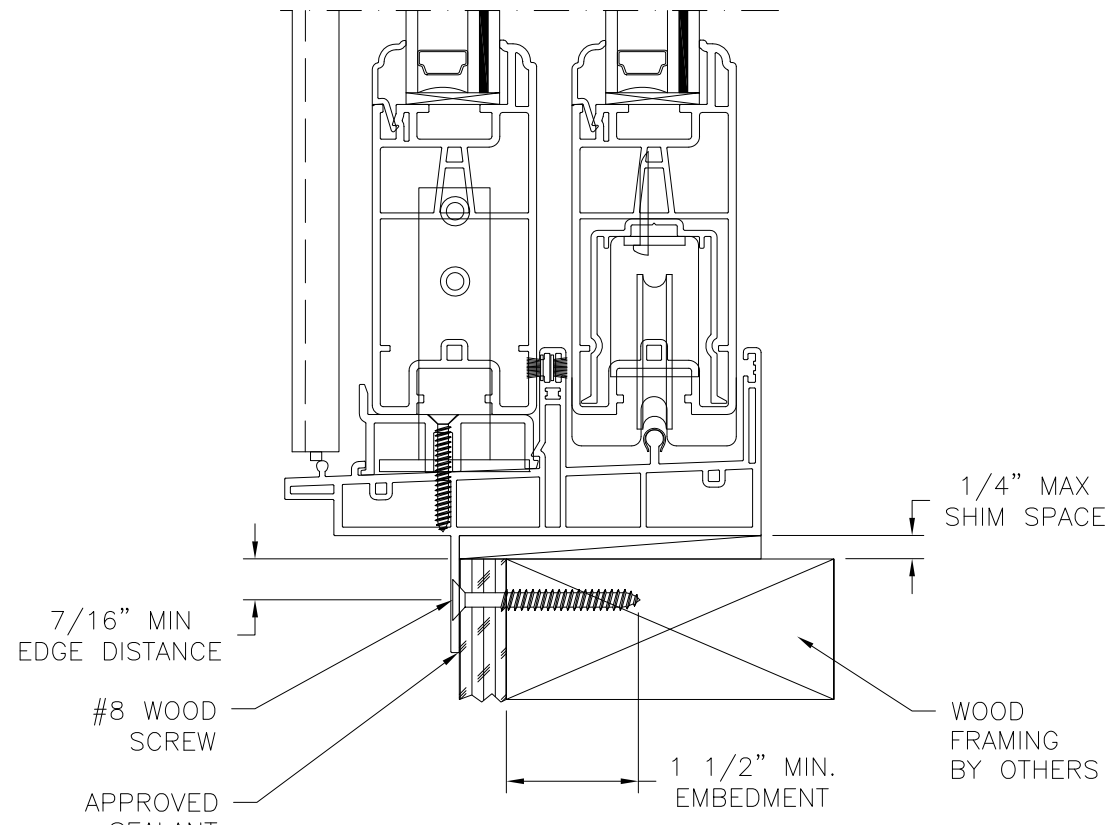


Luis R. Lomas P.E.
FL No.: 62514

REVISIONS			
REV	DESCRIPTION	DATE	APPROVED
A	REVISED PER NEW STANDARDS	01/11/2022	R.L.



JAMB INSTALLATION DETAIL
WOOD FRAMING OR 2X BUCK INSTALLATION

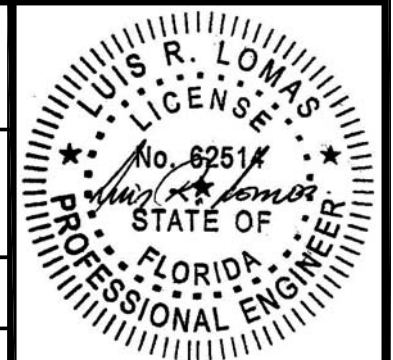


VERTICAL CROSS SECTION
WOOD FRAMING OR 2X BUCK INSTALLATION

- NOTES:**
1. INTERIOR AND EXTERIOR FINISHES, BY OTHERS, NOT SHOWN FOR CLARITY.
 2. PERIMETER AND JOINT SEALANT BY OTHERS TO BE DESIGNED IN ACCORDANCE WITH ASTM E2112

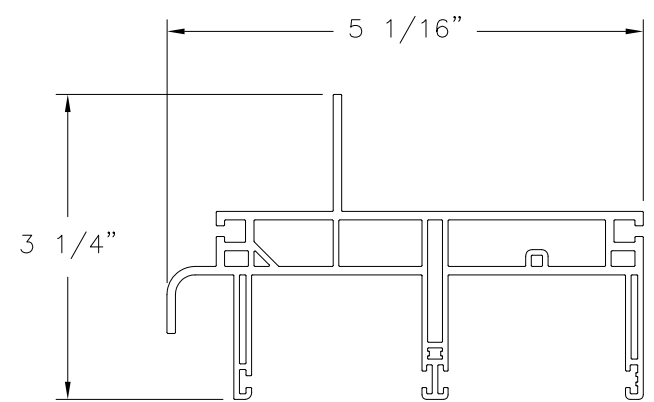
SIGNED: 03/25/2022

STERGIS WINDOWS & DOORS 79 WALTON STREET ATTLEBORO, MA 02703		
SERIES 1100/623 VINYL SGD LARGE AND SMALL MISSILE IMPACT FIN INSTALLATION DETAILS		
DRAWN: A.R.	DWG NO. 08-03367	REV A
SCALE NTS	DATE 12/20/18	SHEET 7 OF 8
L. ROBERTO LOMAS P.E. 400 S. PALM AVE, INDIALANTIC, FL 32903 434-688-0609 rllomas@rlomaspe.com		

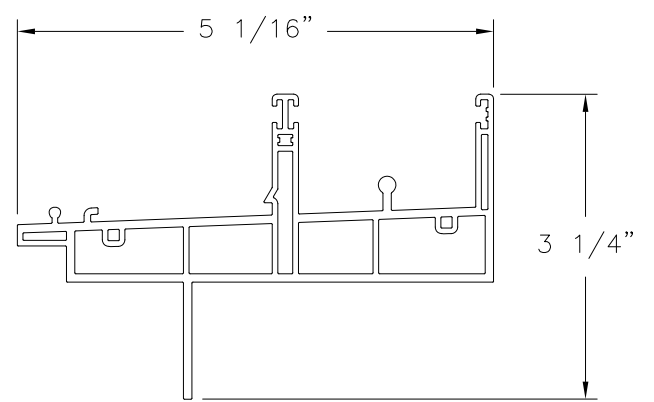


Luis R. Lomas P.E.
FL No.: 62514

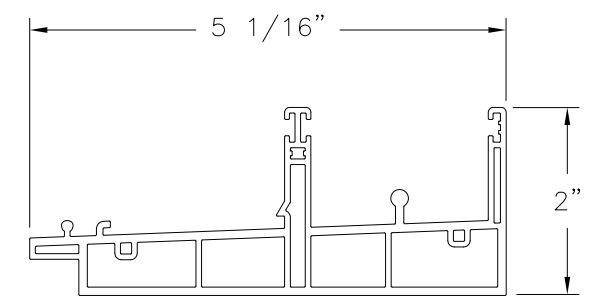
REVISIONS			
REV	DESCRIPTION	DATE	APPROVED
A	REVISED PER NEW STANDARDS	01/11/2022	R.L.



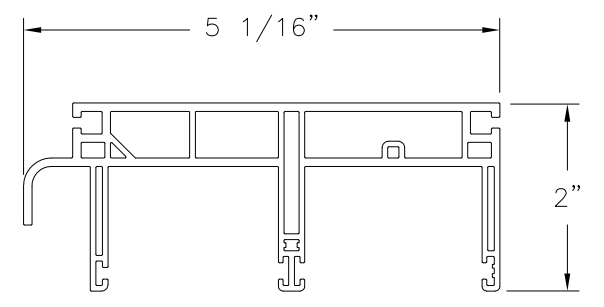
**SILL AND HEAD FRAME
FIN INSTALLATION**
RIGID PVC



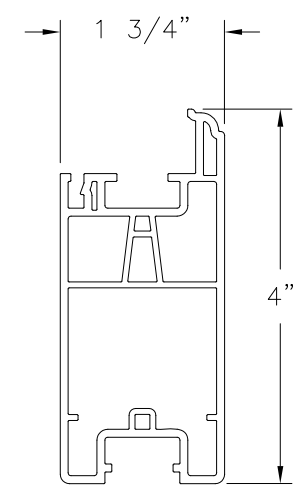
**JAMB FRAME
FIN INSTALLATION**
RIGID PVC



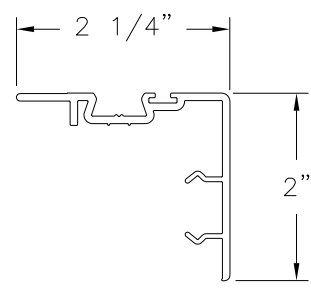
SILL AND HEAD FRAME
RIGID PVC



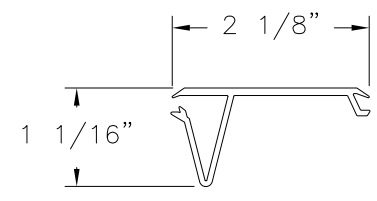
JAMB FRAME
RIGID PVC



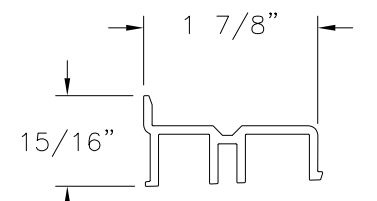
PANEL STILE
RIGID PVC



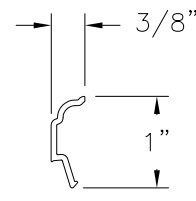
PANEL INTERLOCK
RIGID PVC



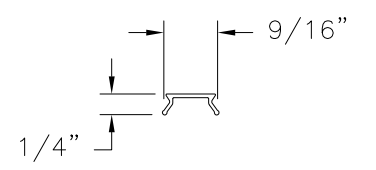
JAMB COVER PLATE
RIGID PVC



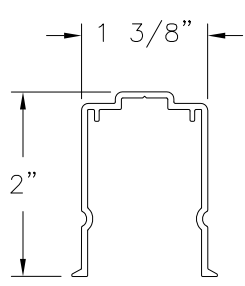
SILL COVER PLATE
RIGID PVC



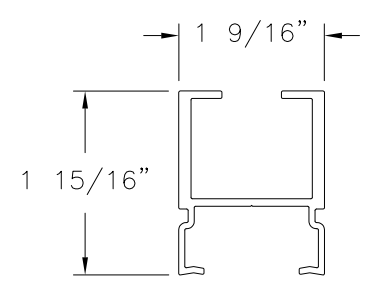
GLAZING BEAD
RIGID PVC



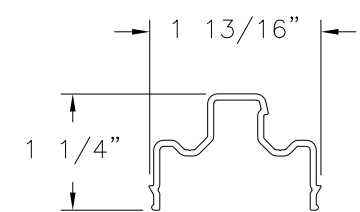
**SLIDER PANEL
RETAINING CLIP**
RIGID PVC



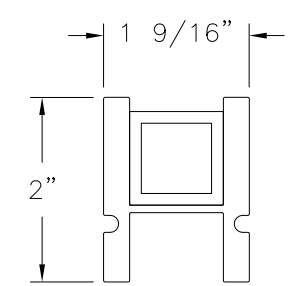
**BOTTOM RAIL
REINFORCEMENT**
ALUMINUM 6063-T5



**TOP RAIL/JAMB
REINFORCEMENT**
ALUMINUM 6063-T5



**JAMB
REINFORCEMENT**
ALUMINUM 6063-T5



**ACTIVE/FIXED PANEL
H-REINFORCEMENT**
ALUMINUM 6063-T5

STERGIS WINDOWS & DOORS
79 WALTON STREET
ATTLEBORO, MA 02703

SERIES 1100/623 VINYL SGD
LARGE AND SMALL MISSILE IMPACT
COMPONENTS

DRAWN: A.R.	DWG NO. 08-03367	REV A
SCALE NTS	DATE 12/20/18	SHEET 8 OF 8

L. ROBERTO LOMAS P.E.
400 S. PALM AVE, INDIALANTIC, FL 32903
434-688-0609 rllomas@rlomaspe.com

SIGNED: 03/25/2022



Luis R. Lomas P.E.
FL No.: 62514