

REVISIONS			
REV	DESCRIPTION	DATE	APPROVED
A	REVISED PER NEW STANDARDS	01/11/2022	R.L.

NOTES:

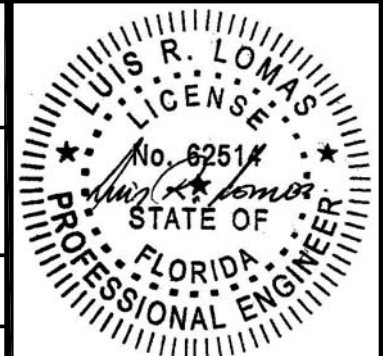
1. THE PRODUCT SHOWN HEREIN IS DESIGNED AND MANUFACTURED TO COMPLY WITH REQUIREMENTS OF THE FLORIDA BUILDING CODE.
2. WOOD FRAMING AND MASONRY OPENING TO BE DESIGNED AND ANCHORED TO PROPERLY TRANSFER ALL LOADS TO STRUCTURE. FRAMING AND MASONRY OPENING IS THE RESPONSIBILITY OF THE ARCHITECT OR ENGINEER OF RECORD.
3. WHERE SHIM OR BUCK THICKNESS IS LESS THAN 1-1/2" UNITS MUST BE ANCHORED THROUGH THE FRAME IN ACCORDANCE WITH MANUFACTURER'S PUBLISHED INSTALLATION INSTRUCTIONS. ANCHORS SHALL BE SECURELY FASTENED DIRECTLY INTO MASONRY, CONCRETE OR OTHER STRUCTURAL SUBSTRATE MATERIAL.
4. WHERE WOOD BUCK THICKNESS IS 1-1/2" OR GREATER, BUCK SHALL BE SECURELY FASTENED TO MASONRY, CONCRETE OR OTHER STRUCTURAL SUBSTRATE. UNITS MAY BE ANCHORED THROUGH FRAME TO SECURED WOOD BUCK IN ACCORDANCE WITH MANUFACTURER'S PUBLISHED INSTALLATION INSTRUCTIONS.
5. WHERE 1X BUCK IS NOT USED DISSIMILAR MATERIALS MUST BE SEPARATED WITH APPROVED COATING OR MEMBRANE. SELECTION OF COATING OR MEMBRANE IS THE RESPONSIBILITY OF THE ARCHITECT OR ENGINEER OF RECORD.
6. BUCKS SHALL EXTEND BEYOND UNIT FRAME INTERIOR FACE SO THAT FULL FRAME SUPPORT IS PROVIDED.
7. FOR FIN INSTALLATION SHIM AS NEEDED. FOR FRAME INSTALLATION SHIM AS REQUIRED AT EACH ANCHOR LOCATION WITH LOAD BEARING SHIM. SHIM WHERE SPACE OF 1/16" OR GREATER OCCURS. MAXIMUM ALLOWABLE SHIM STACK TO BE 1/4".
8. SHIMS SHALL BE LOCATED, APPLIED AND MADE FROM MATERIALS AND THICKNESS CAPABLE OF SUSTAINING APPLICABLE LOADS.
9. WIND LOAD DURATION FACTOR Cd=1.6 WAS USED FOR WOOD ANCHOR CALCULATIONS.
10. FRAME MATERIAL: EXTRUDED RIGID PVC.
11. UNITS MUST BE GLAZED PER ASTM E1300, SEE SHEET 2 FOR GLASS DETAILS.
12. APPROVED IMPACT PROTECTIVE SYSTEM IS NOT REQUIRED FOR THIS PRODUCT IN WIND BORNE DEBRIS REGIONS.
13. FOR ANCHORING THROUGH FIN INTO WOOD FRAMING OR 2X BUCK USE #8 WOOD SCREWS WITH SUFFICIENT LENGTH TO ACHIEVE A 1 1/2" MINIMUM EMBEDMENT INTO SUBSTRATE. LOCATE ANCHORS AS SHOWN IN ELEVATIONS AND INSTALLATION DETAILS.

14. FOR ANCHORING THROUGH FRAME INTO WOOD FRAMING OR 2X BUCK USE #8 WOOD SCREWS WITH SUFFICIENT LENGTH TO ACHIEVE A 1 1/4" MINIMUM EMBEDMENT INTO SUBSTRATE. LOCATE ANCHORS AS SHOWN IN ELEVATIONS AND INSTALLATION DETAILS.
15. FOR ANCHORING THROUGH FRAME INTO MASONRY/CONCRETE USE 3/16" TAPCONS WITH SUFFICIENT LENGTH TO ACHIEVE A 1 1/4" MINIMUM EMBEDMENT INTO SUBSTRATE WITH 2" MINIMUM EDGE DISTANCE. LOCATE ANCHORS AS SHOWN IN ELEVATIONS AND INSTALLATION DETAILS.
16. FOR ANCHORING THROUGH FRAME INTO METAL STRUCTURE USE #8 SMS OR SELF DRILLING SCREWS WITH SUFFICIENT LENGTH TO ACHIEVE 3 THREADS MINIMUM BEYOND STRUCTURE INTERIOR WALL. LOCATE ANCHORS AS SHOWN IN ELEVATIONS AND INSTALLATION DETAILS.
17. ALL FASTENERS TO BE CORROSION RESISTANT.
18. INSTALLATION ANCHORS SHALL BE INSTALLED IN ACCORDANCE WITH ANCHOR MANUFACTURER'S INSTALLATION INSTRUCTIONS AND ANCHORS SHALL NOT BE USED IN SUBSTRATES WITH STRENGTHS LESS THAN THE MINIMUM STRENGTH SPECIFIED BELOW:
 - A. WOOD: MINIMUM SPECIFIC GRAVITY OF G=0.42
 - B. CONCRETE: MINIMUM COMPRESSIVE STRENGTH OF 2,000 PSI.
 - C. MASONRY: HOLLOW/FILLED BLOCK PER ASTM C90 WITH Fm=2,000PSI MINIMUM.
 - D. METAL STRUCTURE: STEEL 18GA (.048") FY=33KSI/FU=52KSI OR ALUMINUM 6063-T5 FU=30KSI 1/8" THICK MINIMUM

TABLE OF CONTENTS	
SHEET NO.	DESCRIPTION
1	NOTES
2	ELEVATIONS AND GLAZING DETAIL
3 - 7	INSTALLATION DETAILS
8	COMPONENTS

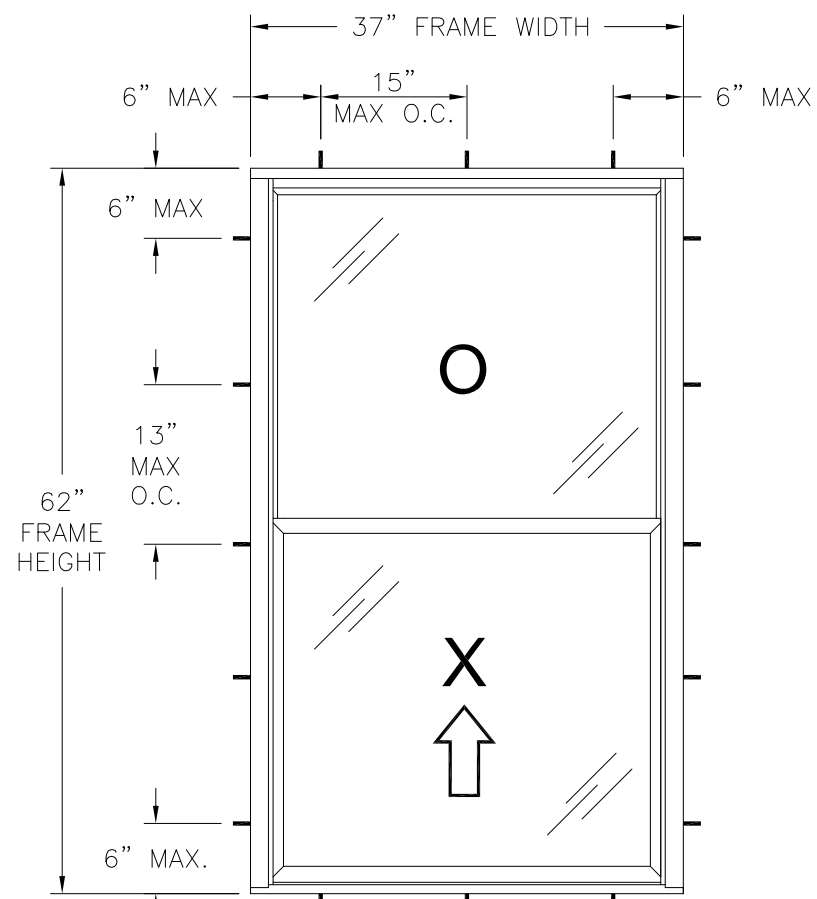
STERGIS WINDOWS & DOORS 79 WALTON STREET ATTLEBORO, MA 02703		
SERIES 331.330 VINYL SINGLE HUNG WINDOW LARGE MISSILE IMPACT NOTES		
DRAWN: A.R.	DWG NO. 08-03368	REV A
SCALE NTS	DATE 12/21/18	SHEET 1 OF 8
L. ROBERTO LOMAS P.E. 400 S. PALM AVE, INDIALANTIC, FL 32903 434-688-0609 rllomas@rlomaspe.com		

SIGNED: 03/25/2022

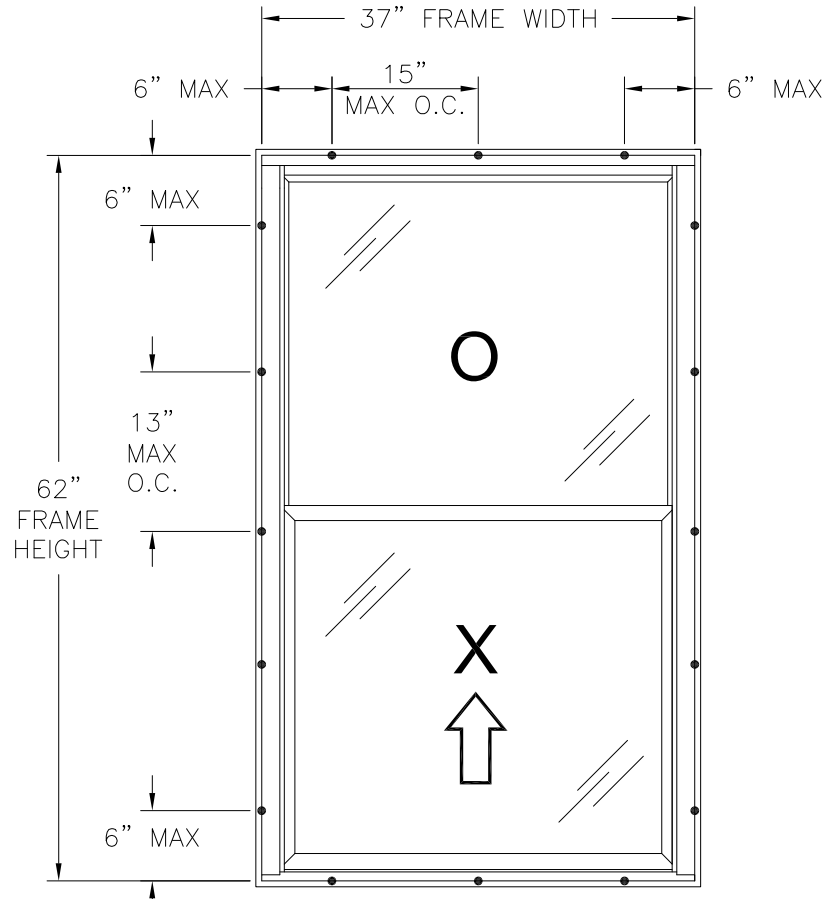


Luis R. Lomas P.E.
FL No.: 62514

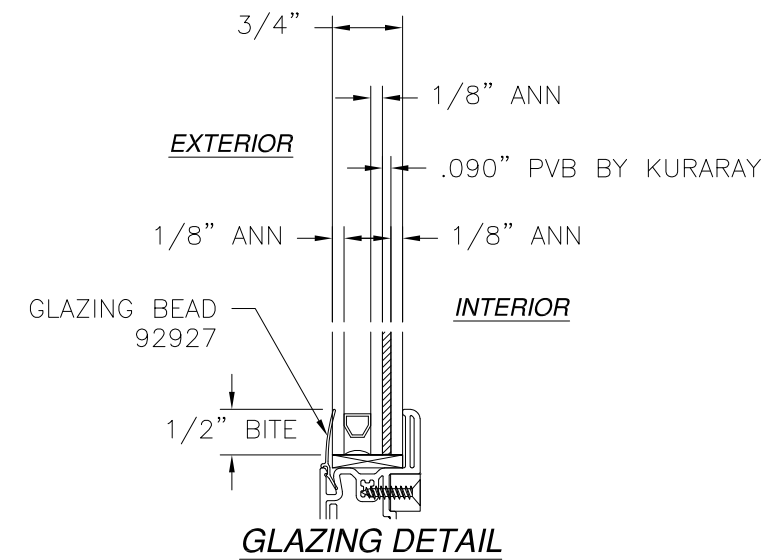
REVISIONS			
REV	DESCRIPTION	DATE	APPROVED
A	REVISED PER NEW STANDARDS	01/11/2022	R.L.



SERIES 331.330 SINGLE HUNG WINDOW
EXTERIOR VIEW
FRAME FLANGE INSTALLATION



SERIES 331.330 SINGLE HUNG WINDOW
EXTERIOR VIEW
FRAME FIN INSTALLATION



GLAZING DETAIL

WITHOUT SILL RISER

DESIGN PRESSURE RATING	IMPACT RATING
+40.0/-50.0PSF	LARGE MISSILE IMPACT

MISSILE LEVEL D, WIND ZONE 4

WITH 2 1/2" SILL RISER

DESIGN PRESSURE RATING	IMPACT RATING
±55.0PSF	LARGE MISSILE IMPACT

MISSILE LEVEL D, WIND ZONE 4

37" X 62" UNIT SHOWN. OTHER SIZES APPROVED AS LONG AS FRAME AREA DOES NOT EXCEED 15.93 FT²

- NOTES:
1. D.L.O. SIZE: 32 3/8" X 27 5/8"

HARDWARE SCHEDULE

A.	(2) APEX BLOCK AND TACKLE BALANCE SYSTEM AT EACH FRAME JAMB
B.	(2) BALANCE TAKE OUT CLIP AT EACH FRAME JAMB
C.	(2) CAST CAM LOCKS WITH KEEPERS AT SASH TOP RAIL, 12" FROM EACH STILE
D.	(1) EXTRUDED ALUMINUM REINFORCEMENT (10300221) AT FIXED MEETING RAIL
E.	(1) EXTRUDED ALUMINUM REINFORCEMENT (10300222) AT SASH TOP RAIL

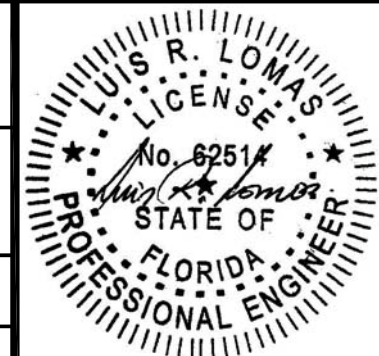
SIGNED: 03/25/2022

STERGIS WINDOWS & DOORS
79 WALTON STREET
ATTLEBORO, MA 02703

SERIES 331.330 VINYL SINGLE HUNG WINDOW
LARGE MISSILE IMPACT
ELEVATIONS AND GLAZING DETAIL

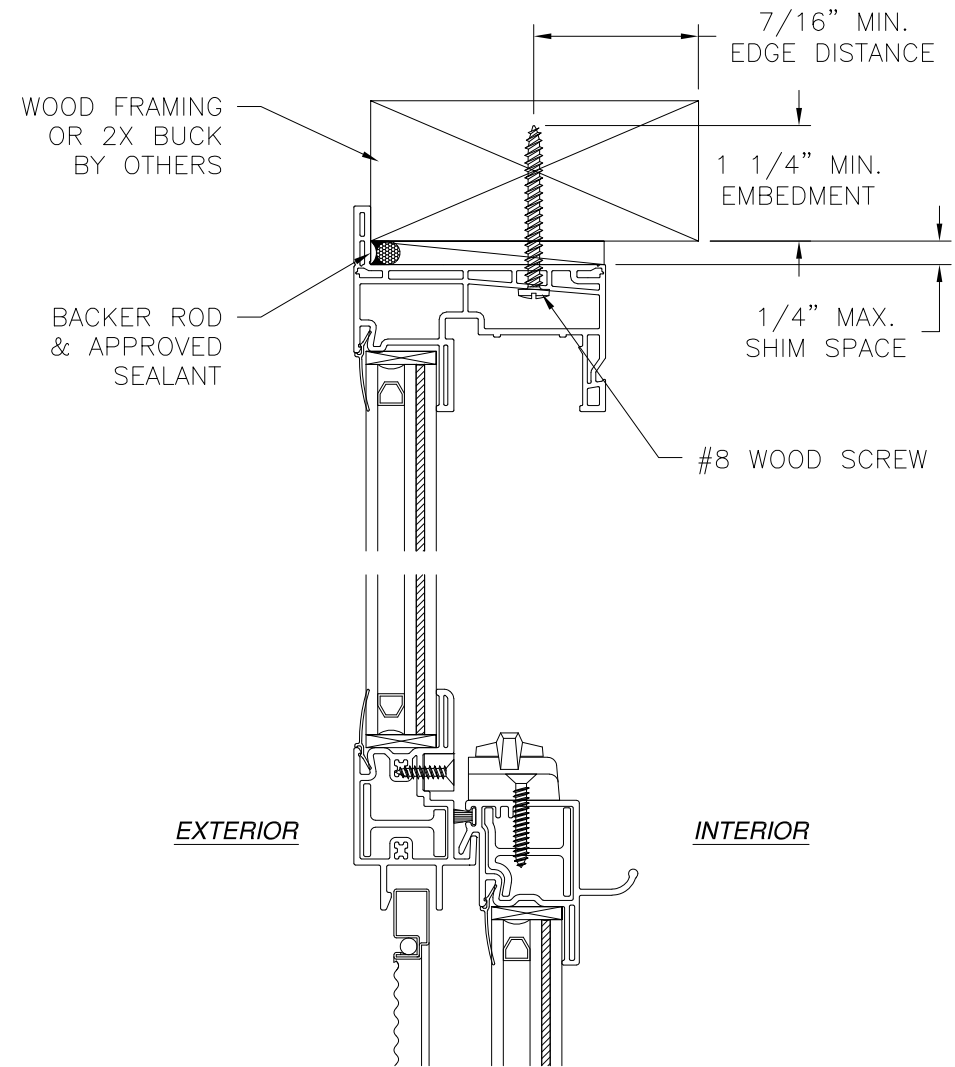
DRAWN: A.R.	DWG NO. 08-03368	REV A
SCALE NTS	DATE 12/21/18	SHEET 2 OF 8

L. ROBERTO LOMAS P.E.
400 S. PALM AVE, INDIALANTIC, FL 32903
434-688-0609 rllomas@rlomaspe.com



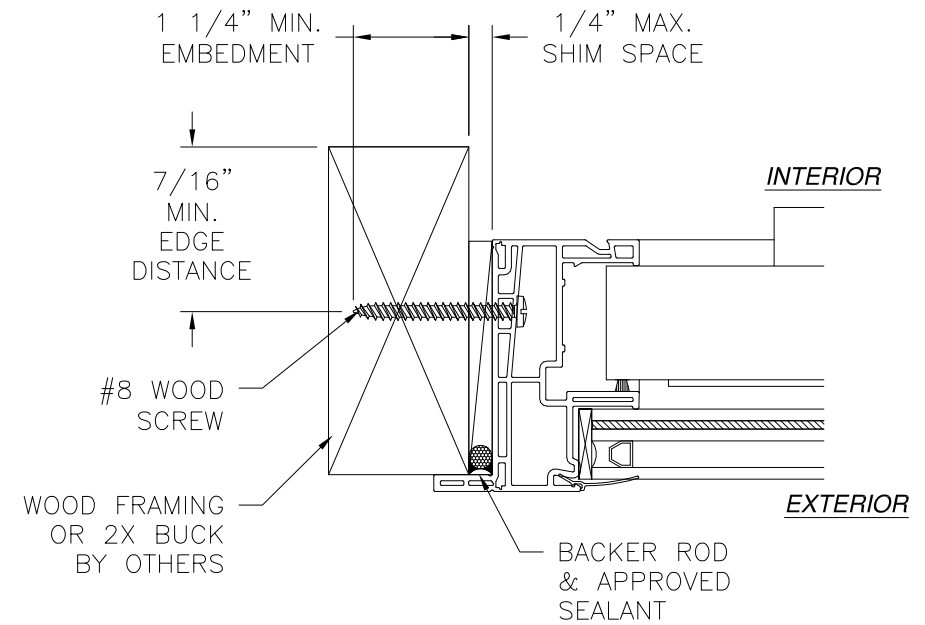
Luis R. Lomas P.E.
FL No.: 62514

REVISIONS			
REV	DESCRIPTION	DATE	APPROVED
A	REVISED PER NEW STANDARDS	01/11/2022	R.L.



EXTERIOR

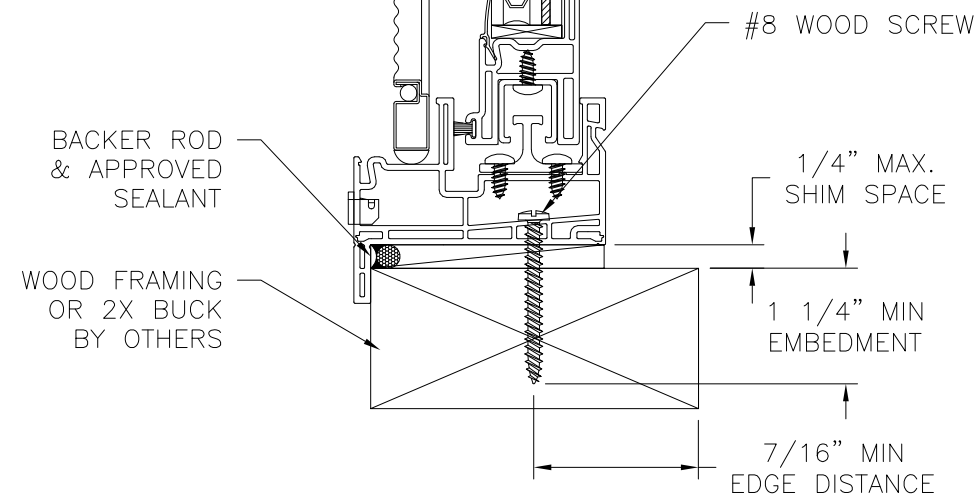
INTERIOR



INTERIOR

EXTERIOR

JAMB INSTALLATION DETAIL
WOOD FRAMING OR 2X BUCK INSTALLATION



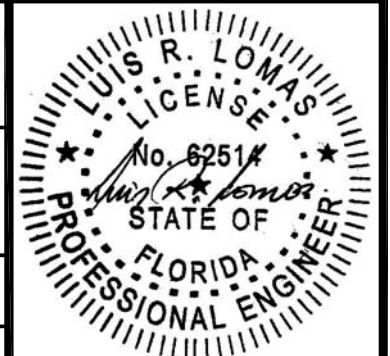
VERTICAL CROSS SECTION
WOOD FRAMING OR 2X BUCK INSTALLATION

NOTES:

1. INTERIOR AND EXTERIOR FINISHES, BY OTHERS, NOT SHOWN FOR CLARITY.
2. PERIMETER AND JOINT SEALANT BY OTHERS TO BE DESIGNED IN ACCORDANCE WITH ASTM E2112

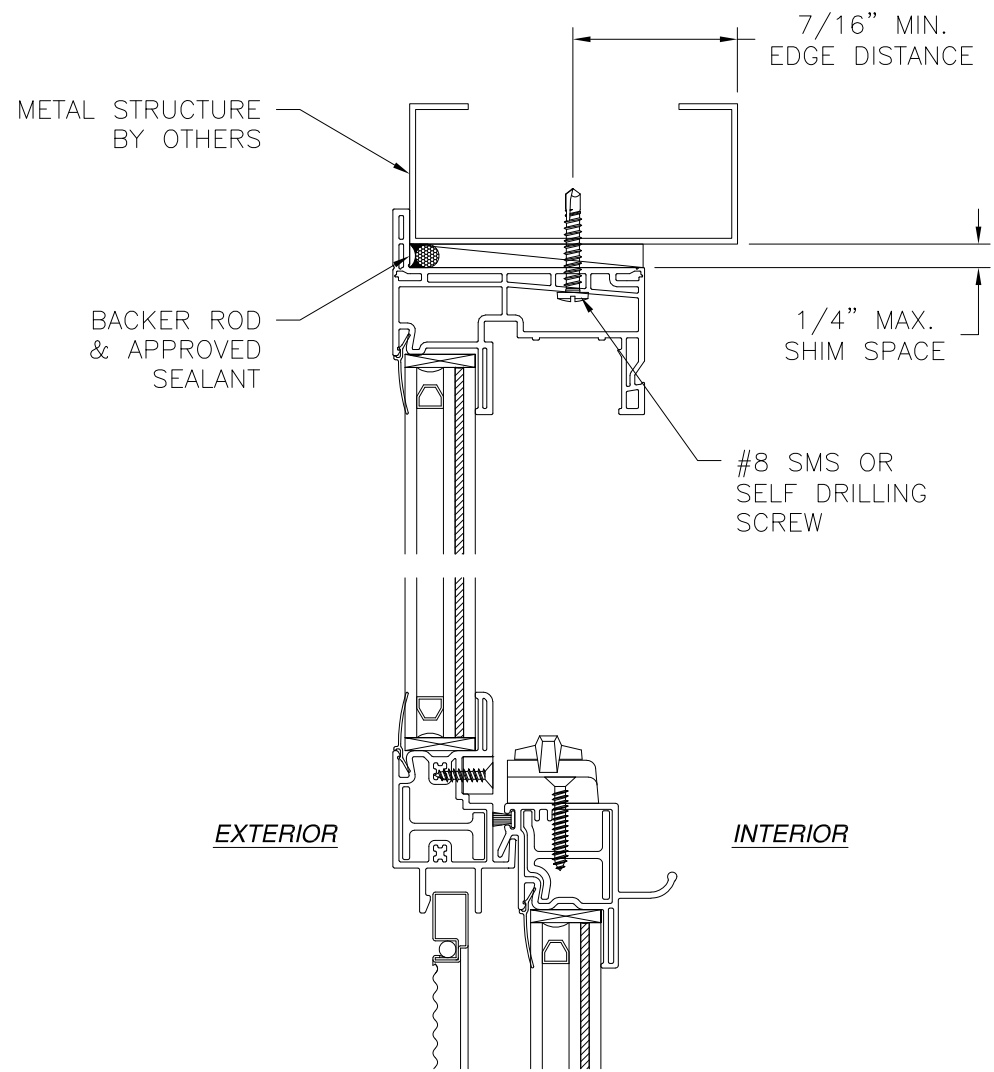
SIGNED: 03/25/2022

STERGIS WINDOWS & DOORS 79 WALTON STREET ATTLEBORO, MA 02703		
SERIES 331.330 VINYL SINGLE HUNG WINDOW LARGE MISSILE IMPACT INSTALLATION DETAILS		
DRAWN: A.R.	DWG NO. 08-03368	REV A
SCALE NTS	DATE 12/21/18	SHEET 3 OF 8
L. ROBERTO LOMAS P.E. 400 S. PALM AVE, INDIALANTIC, FL 32903 434-688-0609 rllomas@rlomaspe.com		

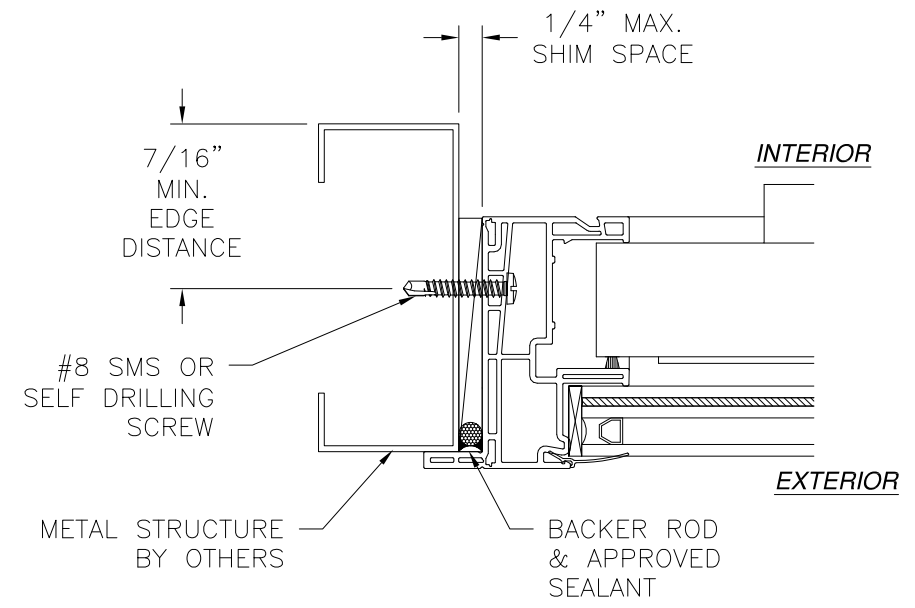


Luis R. Lomas P.E.
FL No.: 62514

REVISIONS			
REV	DESCRIPTION	DATE	APPROVED
A	REVISED PER NEW STANDARDS	01/11/2022	R.L.



VERTICAL CROSS SECTION
METAL STRUCTURE INSTALLATION



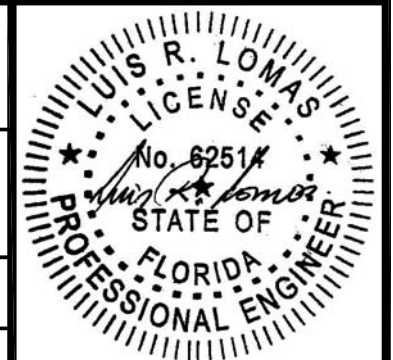
JAMB INSTALLATION DETAIL
METAL STRUCTURE INSTALLATION

NOTES:

1. INTERIOR AND EXTERIOR FINISHES, BY OTHERS, NOT SHOWN FOR CLARITY.
2. PERIMETER AND JOINT SEALANT BY OTHERS TO BE DESIGNED IN ACCORDANCE WITH ASTM E2112

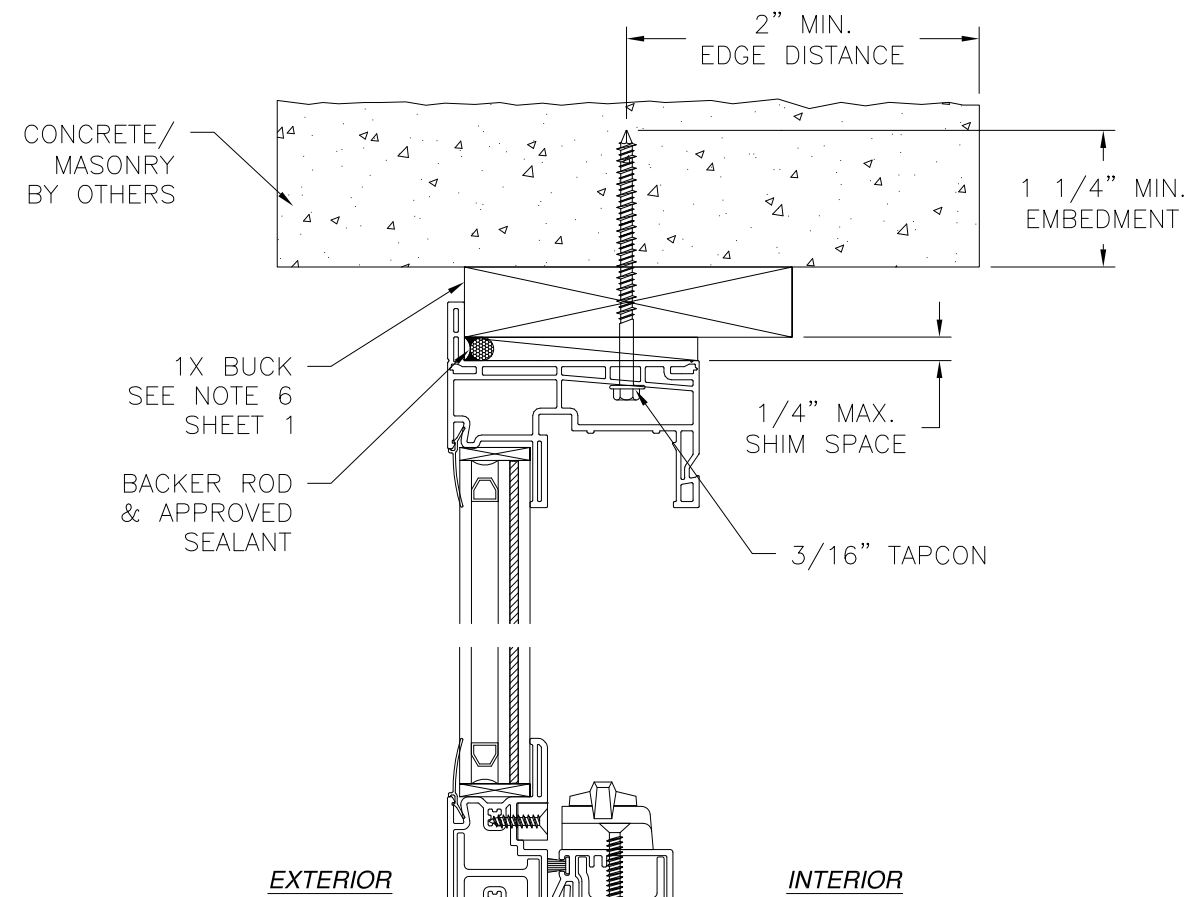
SIGNED: 03/25/2022

STERGIS WINDOWS & DOORS 79 WALTON STREET ATTLEBORO, MA 02703		
SERIES 331.330 VINYL SINGLE HUNG WINDOW LARGE MISSILE IMPACT INSTALLATION DETAILS		
DRAWN: A.R.	DWG NO. 08-03368	REV A
SCALE NTS	DATE 12/21/18	SHEET 4 OF 8
L. ROBERTO LOMAS P.E. 400 S. PALM AVE, INDIALANTIC, FL 32903 434-688-0609 rllomas@rlomaspe.com		



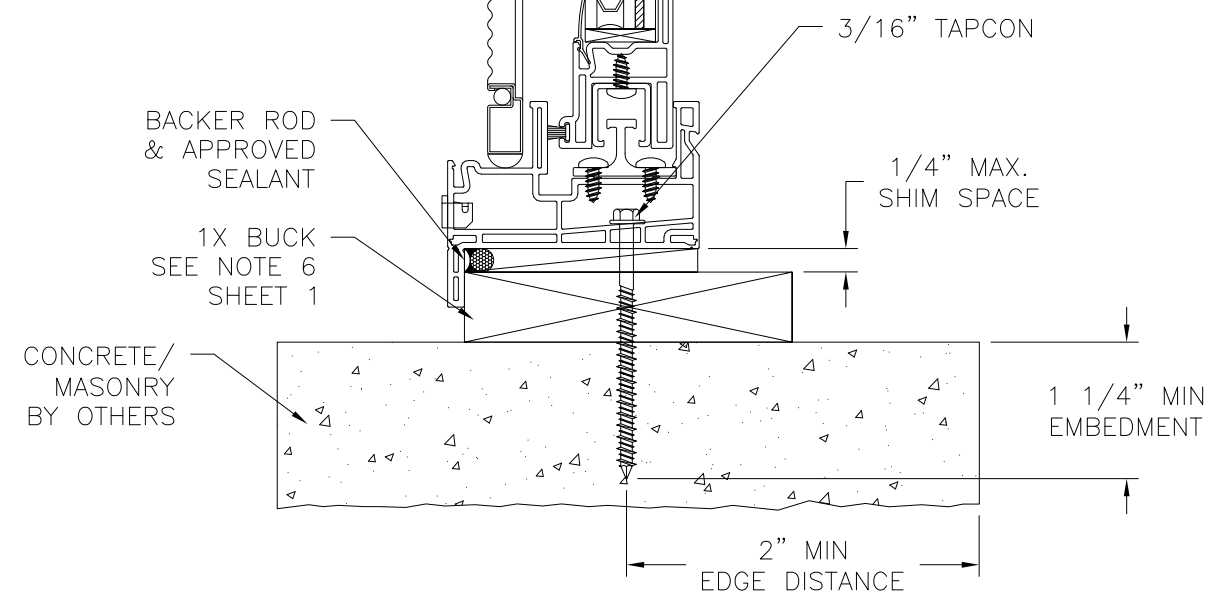
Luis R. Lomas P.E.
FL No.: 62514

REVISIONS			
REV	DESCRIPTION	DATE	APPROVED
A	REVISED PER NEW STANDARDS	01/11/2022	R.L.

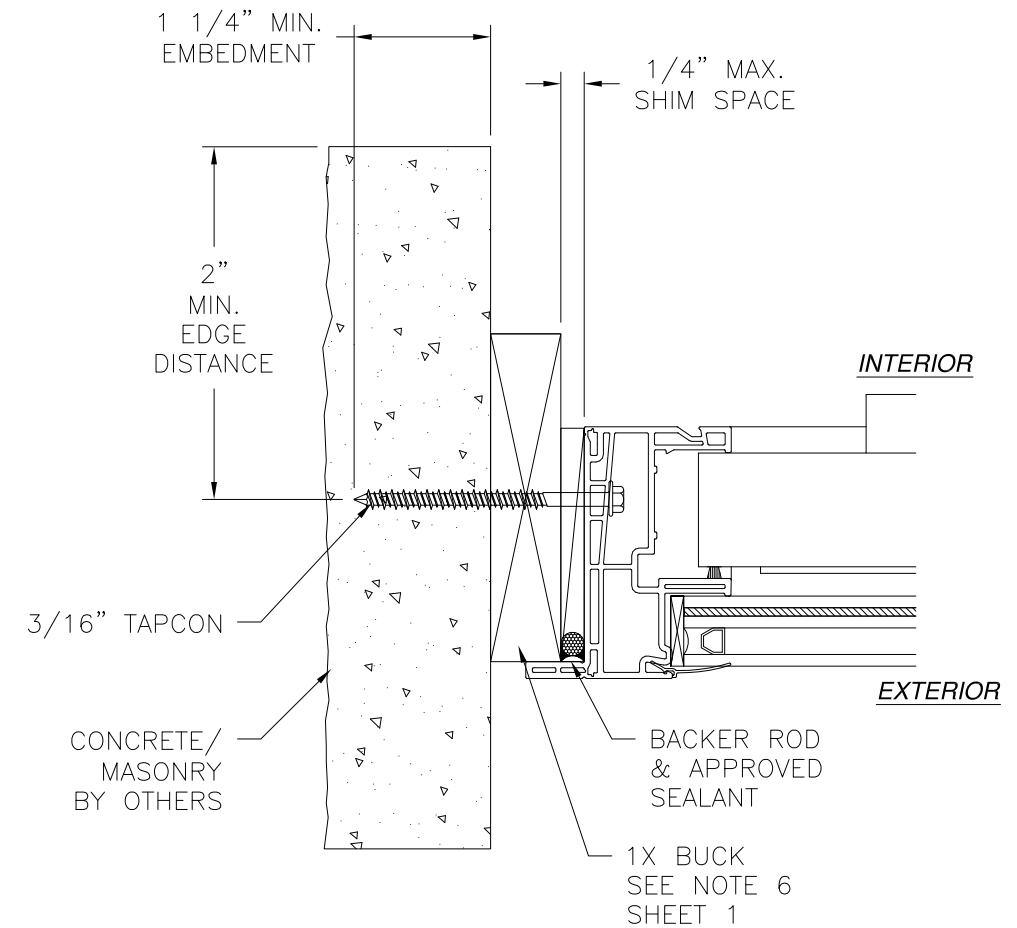


EXTERIOR

INTERIOR



VERTICAL CROSS SECTION
CONCRETE/MASONRY W/1X BUCK INSTALLATION



JAMB INSTALLATION DETAIL
CONCRETE/MASONRY W/1X BUCK INSTALLATION

NOTES:

1. INTERIOR AND EXTERIOR FINISHES, BY OTHERS, NOT SHOWN FOR CLARITY.
2. PERIMETER AND JOINT SEALANT BY OTHERS TO BE DESIGNED IN ACCORDANCE WITH ASTM E2112

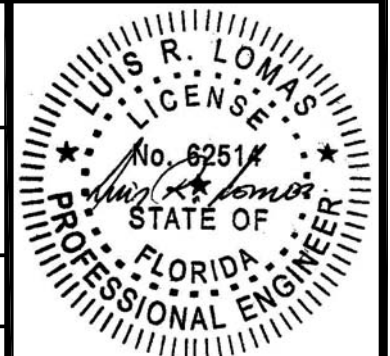
SIGNED: 03/25/2022

STERGIS WINDOWS & DOORS
79 WALTON STREET
ATTLEBORO, MA 02703

SERIES 331.330 VINYL SINGLE HUNG WINDOW
LARGE MISSILE IMPACT
INSTALLATION DETAILS

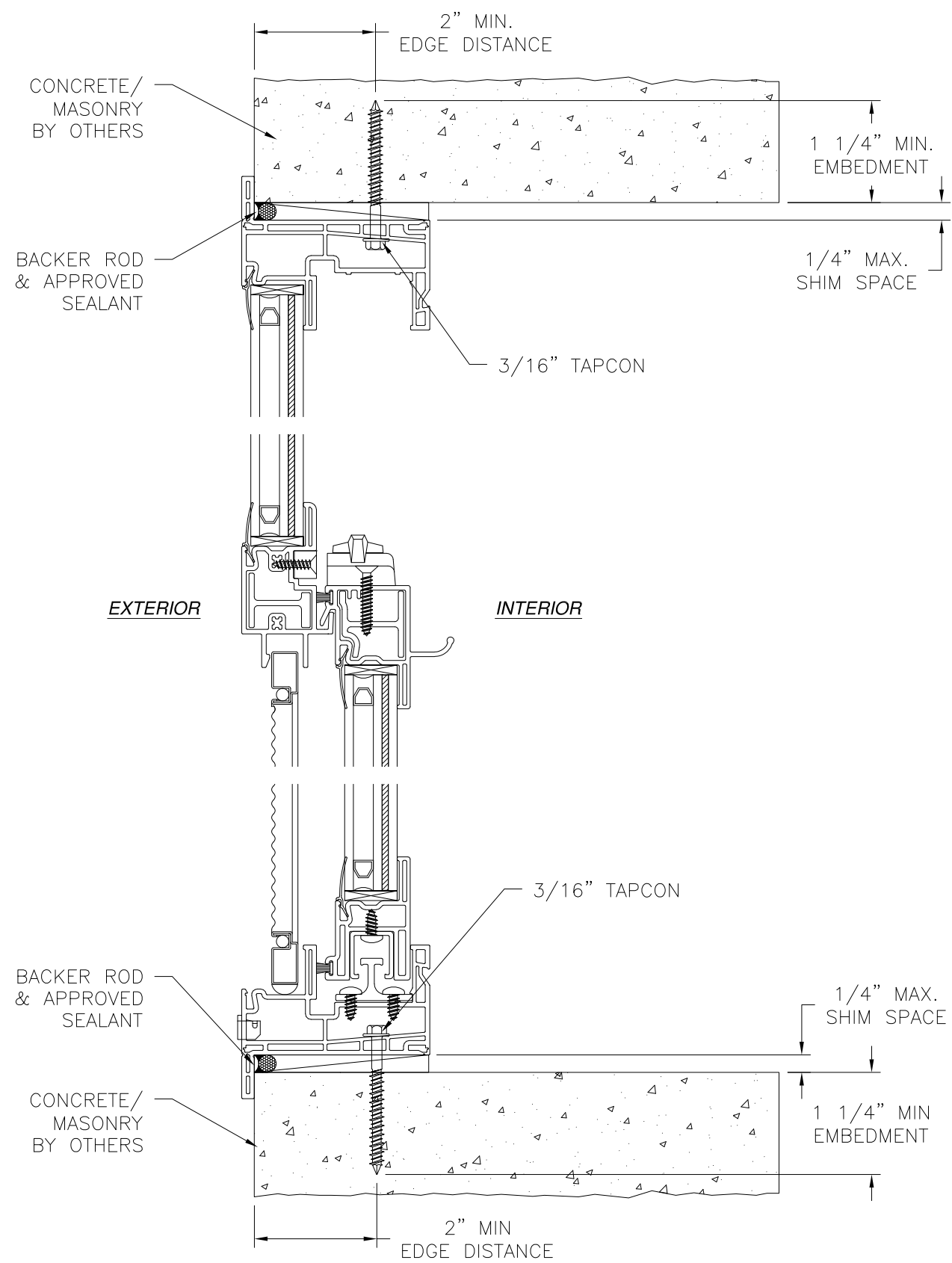
DRAWN: A.R.	DWG NO. 08-03368	REV A
SCALE NTS	DATE 12/21/18	SHEET 5 OF 8

L. ROBERTO LOMAS P.E.
400 S. PALM AVE, INDIALANTIC, FL 32903
434-688-0609 rllomas@rlomaspe.com

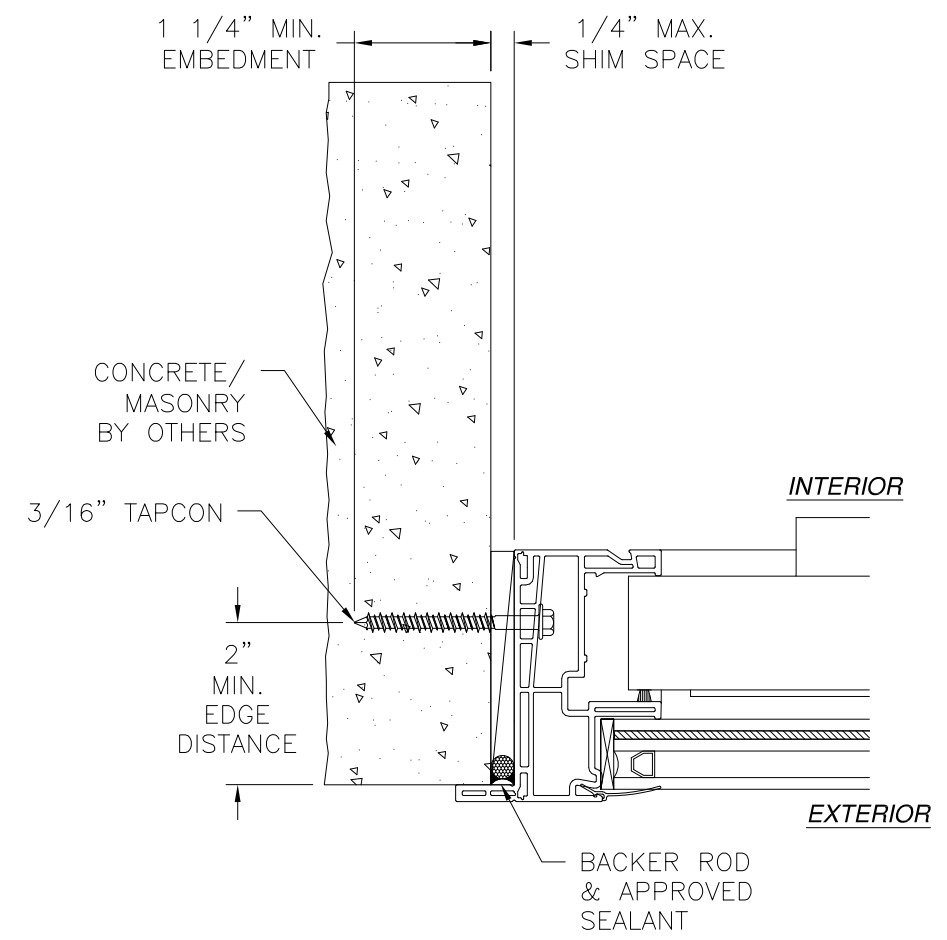


Luis R. Lomas P.E.
FL No.: 62514

REVISIONS			
REV	DESCRIPTION	DATE	APPROVED
A	REVISED PER NEW STANDARDS	01/11/2022	R.L.



**VERTICAL CROSS SECTION
CONCRETE/MASONRY INSTALLATION**



**JAMB INSTALLATION DETAIL
CONCRETE/MASONRY INSTALLATION**

- NOTES:**
1. INTERIOR AND EXTERIOR FINISHES, BY OTHERS, NOT SHOWN FOR CLARITY.
 2. PERIMETER AND JOINT SEALANT BY OTHERS TO BE DESIGNED IN ACCORDANCE WITH ASTM E2112

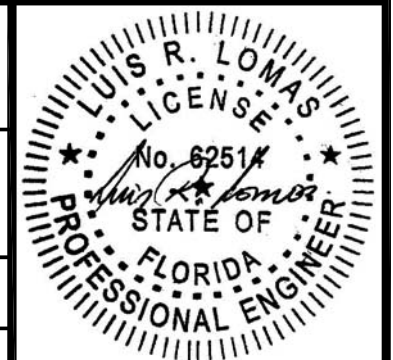
SIGNED: 03/25/2022

STERGIS WINDOWS & DOORS
79 WALTON STREET
ATTLEBORO, MA 02703

SERIES 331.330 VINYL SINGLE HUNG WINDOW
LARGE MISSILE IMPACT
INSTALLATION DETAILS

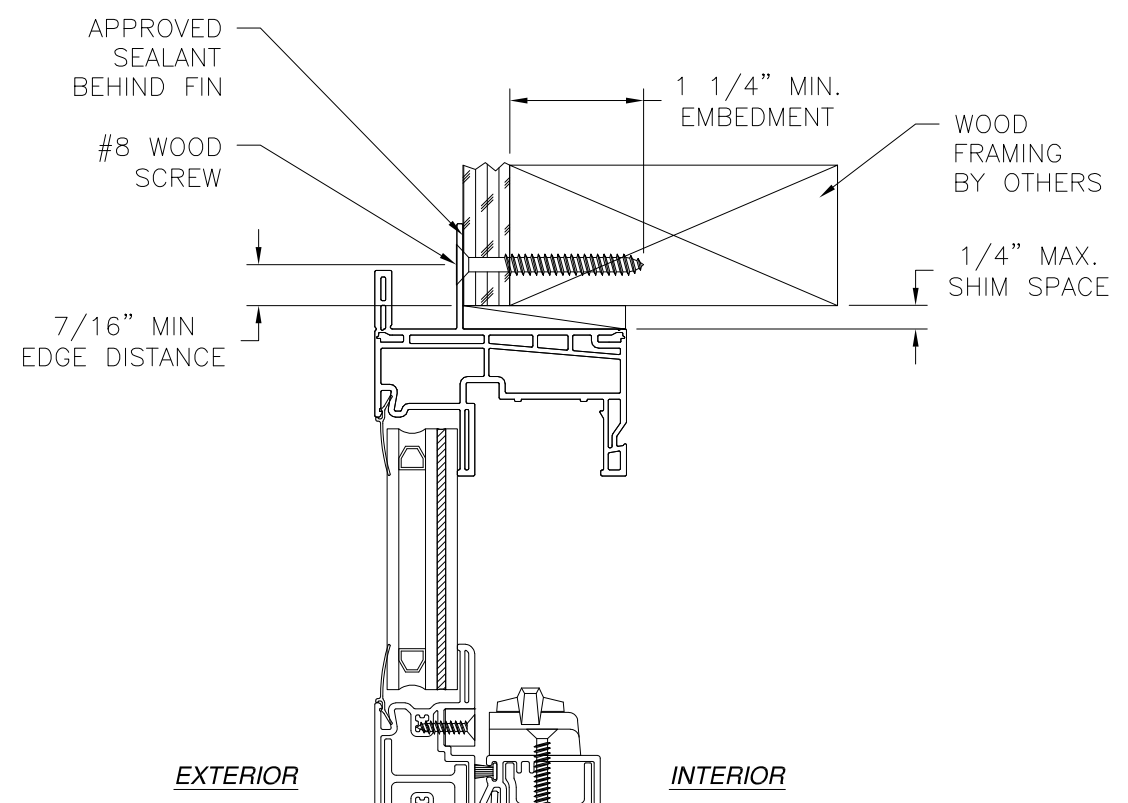
DRAWN: A.R.	DWG NO. 08-03368	REV A
SCALE NTS	DATE 12/21/18	SHEET 6 OF 8

L. ROBERTO LOMAS P.E.
400 S. PALM AVE, INDIALANTIC, FL 32903
434-688-0609 rllomas@rlomaspe.com

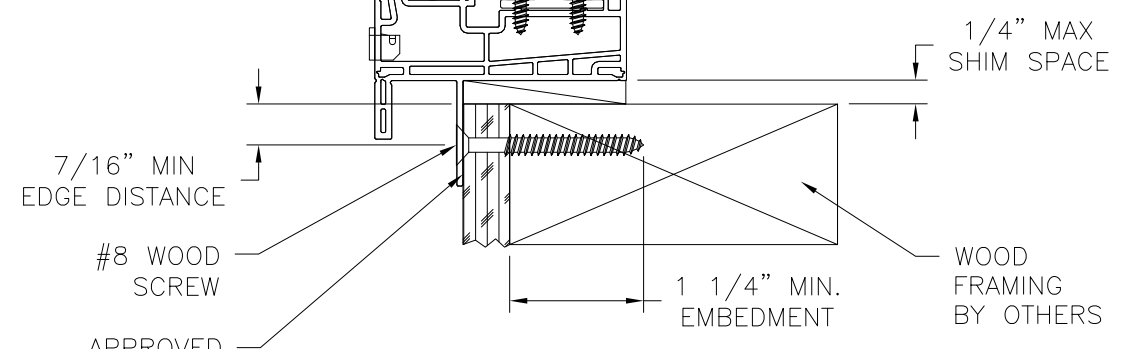


Luis R. Lomas P.E.
FL No.: 62514

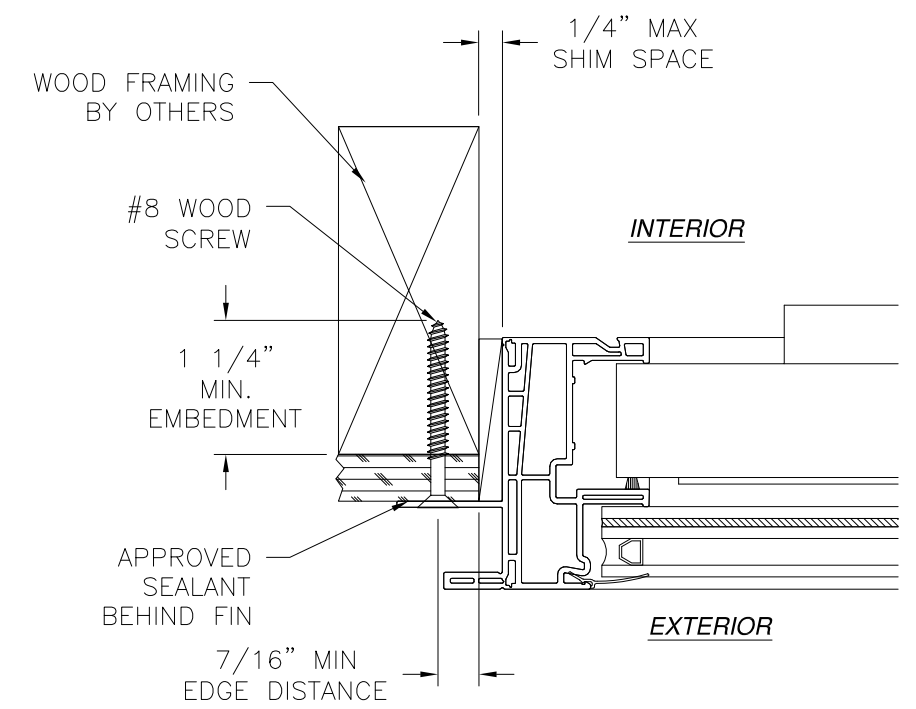
REVISIONS			
REV	DESCRIPTION	DATE	APPROVED
A	REVISED PER NEW STANDARDS	01/11/2022	R.L.



EXTERIOR INTERIOR



VERTICAL CROSS SECTION
WOOD FRAMING OR 2X BUCK INSTALLATION

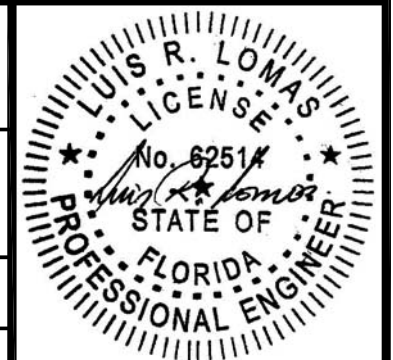


JAMB INSTALLATION DETAIL
WOOD FRAMING OR 2X BUCK INSTALLATION

- NOTES:**
1. INTERIOR AND EXTERIOR FINISHES, BY OTHERS, NOT SHOWN FOR CLARITY.
 2. PERIMETER AND JOINT SEALANT BY OTHERS TO BE DESIGNED IN ACCORDANCE WITH ASTM E2112

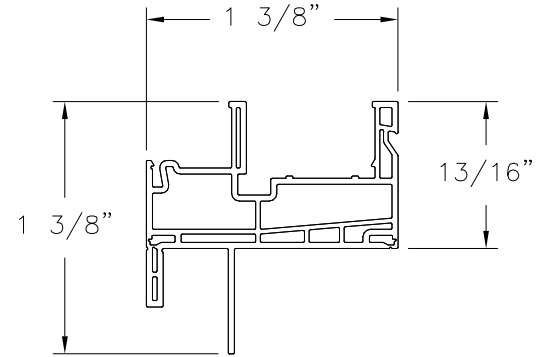
SIGNED: 03/25/2022

STERGIS WINDOWS & DOORS 79 WALTON STREET ATTLEBORO, MA 02703		
SERIES 331.330 VINYL SINGLE HUNG WINDOW LARGE MISSILE IMPACT FIN INSTALLATION DETAILS		
DRAWN: A.R.	DWG NO. 08-03368	REV A
SCALE NTS	DATE 12/21/18	SHEET 7 OF 8
L. ROBERTO LOMAS P.E. 400 S. PALM AVE, INDIALANTIC, FL 32903 434-688-0609 rllomas@lrlomaspe.com		

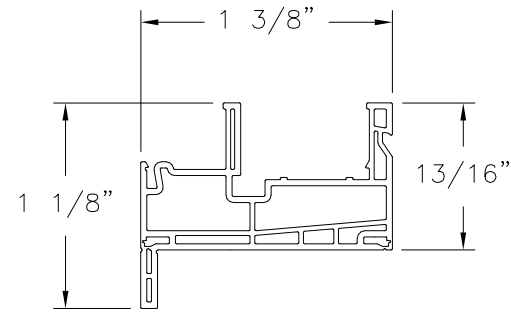


Luis R. Lomas P.E.
FL No.: 62514

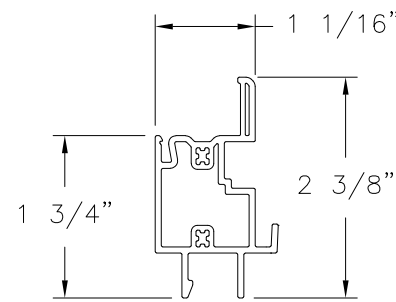
REVISIONS			
REV	DESCRIPTION	DATE	APPROVED
A	REVISED PER NEW STANDARDS	01/11/2022	R.L.



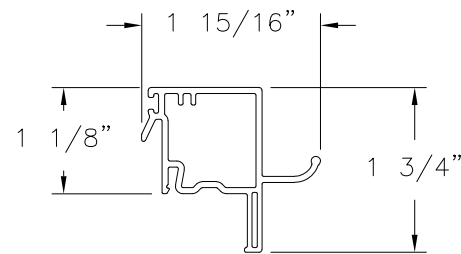
**MAIN FRAME
FIN INSTALLATION**
RIGID PVC (10003356)



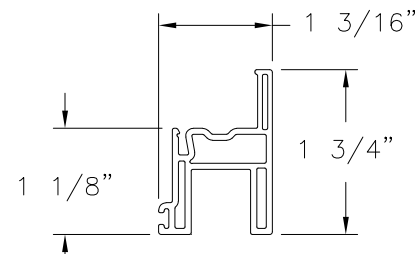
MAIN FRAME
RIGID PVC (10003356)



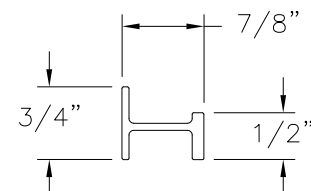
FIXED MEETING RAIL
RIGID PVC (10003360)



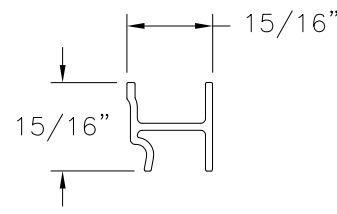
LIFT RAIL
RIGID PVC (10003365)



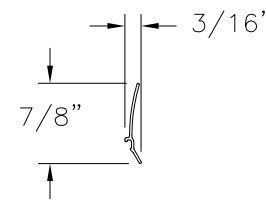
STILE
RIGID PVC (10003366)



**MEETING RAIL
REINFORCEMENT**
ALUMINUM 6063-T6 (10300221)



**LOCK SASH
REINFORCEMENT**
ALUMINUM 6063-T6 (10300222)



GLAZING BEAD
RIGID PVC(10003190)

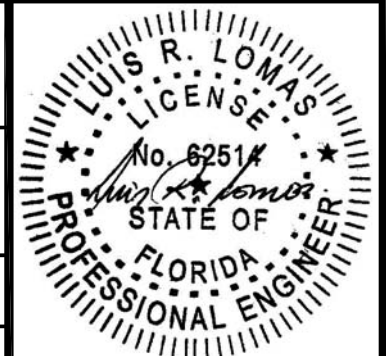
STERGIS WINDOWS & DOORS
79 WALTON STREET
ATTLEBORO, MA 02703

SERIES 331.330 VINYL SINGLE HUNG WINDOW
LARGE MISSILE IMPACT
COMPONENTS

DRAWN: A.R.	DWG NO. 08-03368	REV A
SCALE NTS	DATE 12/21/18	SHEET 8 OF 8

L. ROBERTO LOMAS P.E.
400 S. PALM AVE, INDIALANTIC, FL 32903
434-688-0609 rllomas@rlomaspe.com

SIGNED: 03/25/2022



Luis R. Lomas P.E.
FL No.: 62514