

DRAFT DOCUMENT

NOT APPROVED FOR PRODUCTION

CONCEPT: DEVELOP:

15" MAX OC IN BETWEEN CORNER SCREWS

3.750" FROM EVERY CORNER

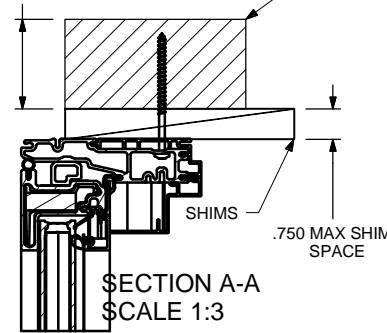
3.750

1.250" MIN PENETRATION TYP

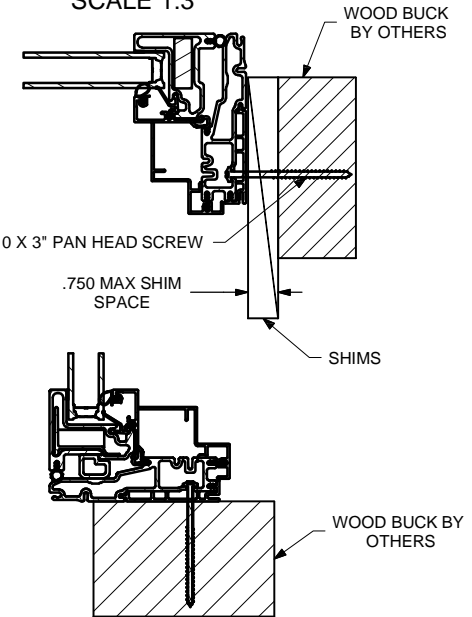
WOOD BUCK BY OTHERS

UNIT TYPE	FRAME SIZE	DP RATING
MCAP	79 X 102	+50 / -50
	102 X 79	+50 / -50
	96 X 84	+50 / -50
	84 X 96	+50 / -50

MCAP = MODERN CASEMENT PICTURE

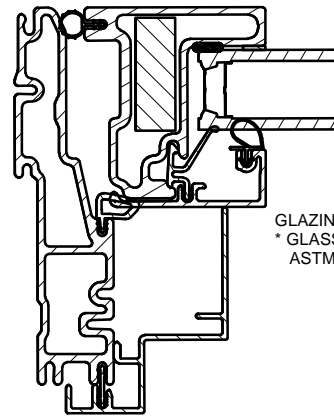


SECTION B-B
SCALE 1:3



JAMB SCREW INSTALLATION METHOD:

- UNIT MUST NOT BE IN DIRECT CONTACT WITH EITHER CONCRETE OR TREATED BUCK MATERIAL. IF SHIM SPACE IS LESS THAN 1/8" WRAPPING THE UNIT ON ALL 4 SIDES WITH WINDOW FLASHING TAPE IS REQUIRED AS A BARRIER BETWEEN THE UNIT AND CONCRETE OR TREATED LUMBER.
- MINIMUM OF 2 PER SIDE
- SHIM AT EACH SCREW LOCATION.



GLAZING VIEW
* GLASS COMPLIES WITH ASTM E1300

SECTION C-C
SCALE 1:3

NOTES:

1. FOR GENERAL SPECIFICATIONS, REFER TO DOC 00003952
2. THIS PRINT IS FOR STRUCTURAL PERFORMANCE ONLY. FOR FLASHING & SEALING INSTRUCTIONS, REFER TO THE INSTALLATION INSTRUCTIONS.
3. IF CHEMICALLY TREATED LUMBER IS USED FOR BUCK MATERIAL, FASTENERS INTO THE BUCK MUST BE A MINIMUM OF 0.90 OZ/FT² ZINC HOT DIPPED GALVANIZED OR STAINLESS STEEL TYPE 304 OR 316
4. INSTALLATION SHOWN APPROVED FOR OPERATING AND STATIONARY UNITS
5. NAIL FIN FOR ALIGNMENT PURPOSES ONLY, NOT ANCHORED

0.0	ORIGINAL ISSUE	PEND	04/15/20	RMH
REV	DESCRIPTION / REQUESTOR	ECN NO	DATE	REV BY

UNSPECIFIED TOLERANCES

DECIMALS:	ANGLE DEG:
XX ±NA	±NA
XXX±NA	
LINEAL:	FAB LINEAL:
+NA	±NA
-NA	
MATERIAL:	
NA	

MARVIN RESEARCH & DEVELOPMENT

PRODUCT CATEGORY:	CASEMENT			
UNIT TYPE:	MCAP			
DWG TYPE:	INSTALLATION			
DESCRIPTION:	MCAP FLORICA INSTALL FL29656			
CHK:	SIZE: B	CLASS: ASSY	DWG NO: 00123251	
APP:	SCALE: 1:8	DATE: 04/15/20	DWG BY: HOLLERMAN, ROSS	SHEET: 1 OF 1

NOTICE - CONFIDENTIAL INFORMATION

The information in this document is privileged and strictly confidential. The information contained herein shall be used only by Marvin Windows and Doors employees and by those agents or suppliers granted official written permission. If the reader of this document is not the intended recipient, or the employee or agent of the intended recipient, please delete this document from all data storage devices, and destroy all hard copies. Any unauthorized dissemination, distribution, copying or other use of the information contained in this document is strictly prohibited.

Template Version 10.0