

REVISIONS			
REV	DESCRIPTION	DATE	APPROVED
A	CHANGE MANUFACTURER'S NAME	04/11/2023	R.L.

NOTES:

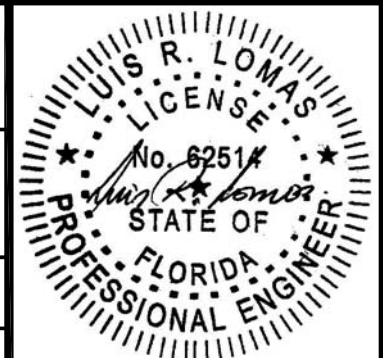
1. THE PRODUCT SHOWN HEREIN IS DESIGNED AND MANUFACTURED TO COMPLY WITH REQUIREMENTS OF THE FLORIDA BUILDING CODE INCLUDING THE HVHZ.
2. WOOD FRAMING AND MASONRY OPENING TO BE DESIGNED AND ANCHORED TO PROPERLY TRANSFER ALL LOADS TO STRUCTURE. FRAMING AND MASONRY OPENING IS THE RESPONSIBILITY OF THE ARCHITECT OR ENGINEER OF RECORD.
3. WHERE SHIM OR BUCK THICKNESS IS LESS THAN 1-1/2" UNITS MUST BE ANCHORED THROUGH THE FRAME IN ACCORDANCE WITH MANUFACTURER'S PUBLISHED INSTALLATION INSTRUCTIONS. ANCHORS SHALL BE SECURELY FASTENED DIRECTLY INTO MASONRY, CONCRETE OR OTHER STRUCTURAL SUBSTRATE MATERIAL.
4. WHERE WOOD BUCK THICKNESS IS 1-1/2" OR GREATER, BUCK SHALL BE SECURELY FASTENED TO MASONRY, CONCRETE OR OTHER STRUCTURAL SUBSTRATE. UNITS MAY BE ANCHORED THROUGH FRAME TO SECURED WOOD BUCK IN ACCORDANCE WITH MANUFACTURER'S PUBLISHED INSTALLATION INSTRUCTIONS.
5. WHERE 1X BUCK IS NOT USED DISSIMILAR MATERIALS MUST BE SEPARATED WITH APPROVED COATING OR MEMBRANE. SELECTION OF COATING OR MEMBRANE IS THE RESPONSIBILITY OF THE ARCHITECT OR ENGINEER OF RECORD.
6. BUCKS SHALL EXTEND BEYOND UNIT FRAME INTERIOR FACE SO THAT FULL FRAME SUPPORT IS PROVIDED.
7. SHIM AS REQUIRED AT EACH ANCHOR LOCATION WITH LOAD BEARING SHIM. SHIM WHERE SPACE OF 1/16" OR GREATER OCCURS. MAXIMUM ALLOWABLE SHIM STACK TO BE 1/4".
8. SHIMS SHALL BE LOCATED, APPLIED AND MADE FROM MATERIALS AND THICKNESS CAPABLE OF SUSTAINING APPLICABLE LOADS.
9. WIND LOAD DURATION FACTOR Cd=1.6 WAS USED FOR WOOD ANCHOR CALCULATIONS.
10. FRAME MATERIAL: ALUMINUM 6063-T5.
11. UNITS MUST BE GLAZED PER ASTM E1300-04/09, SEE SHEET 2 FOR GLASS DETAIL.
12. APPROVED IMPACT PROTECTIVE SYSTEM IS NOT REQUIRED FOR THIS PRODUCT IN WIND BORNE DEBRIS REGIONS, WHEN INSTALLED 30FT OR HIGHER ABOVE GROUND LEVEL.
13. FOR ANCHORING THROUGH FRAME INTO WOOD FRAMING OR 2X BUCK USE #14 WOOD SCREWS WITH SUFFICIENT LENGTH TO ACHIEVE A 1 7/16" MINIMUM EMBEDMENT INTO SUBSTRATE. LOCATE ANCHORS AS SHOWN IN ELEVATIONS AND INSTALLATION DETAILS.

14. FOR ANCHORING THROUGH FRAME INTO MASONRY/CONCRETE USE 1/4" TAPCON WITH SUFFICIENT LENGTH TO ACHIEVE A 1 1/4" MINIMUM EMBEDMENT INTO SUBSTRATE WITH 2" MINIMUM EDGE DISTANCE. LOCATE ANCHORS AS SHOWN IN ELEVATIONS AND INSTALLATION DETAILS.
15. FOR ANCHORING THROUGH FRAME INTO METAL STRUCTURE USE #14 SMS OR SELF DRILLING SCREWS WITH SUFFICIENT LENGTH TO ACHIEVE 3 THREADS MINIMUM BEYOND STRUCTURE INTERIOR WALL. LOCATE ANCHORS AS SHOWN IN ELEVATIONS AND INSTALLATION DETAILS.
16. ALL FASTENERS TO BE CORROSION RESISTANT.
17. INSTALLATION ANCHORS SHALL BE INSTALLED IN ACCORDANCE WITH ANCHOR MANUFACTURER'S INSTALLATION INSTRUCTIONS AND ANCHORS SHALL NOT BE USED IN SUBSTRATES WITH STRENGTHS LESS THAN THE MINIMUM STRENGTH SPECIFIED BELOW:
 - A. WOOD: MINIMUM SPECIFIC GRAVITY OF G=0.42
 - B. CONCRETE: MINIMUM COMPRESSIVE STRENGTH OF 2,000 PSI.
 - C. MASONRY: HOLLOW/FILLED BLOCK PER ASTM C90 WITH Fm=2,000PSI MINIMUM.
 - D. METAL STRUCTURE: STEEL 18GA (.048") FY=33KSI/FU=52KSI OR ALUMINUM 6063-T5 FU=30KSI 1/8" THICK MINIMUM

TABLE OF CONTENTS	
SHEET NO.	DESCRIPTION
1	NOTES
2	ELEVATION AND GLAZING DETAIL
3 - 5	INSTALLATION DETAILS
6	COMPONENTS

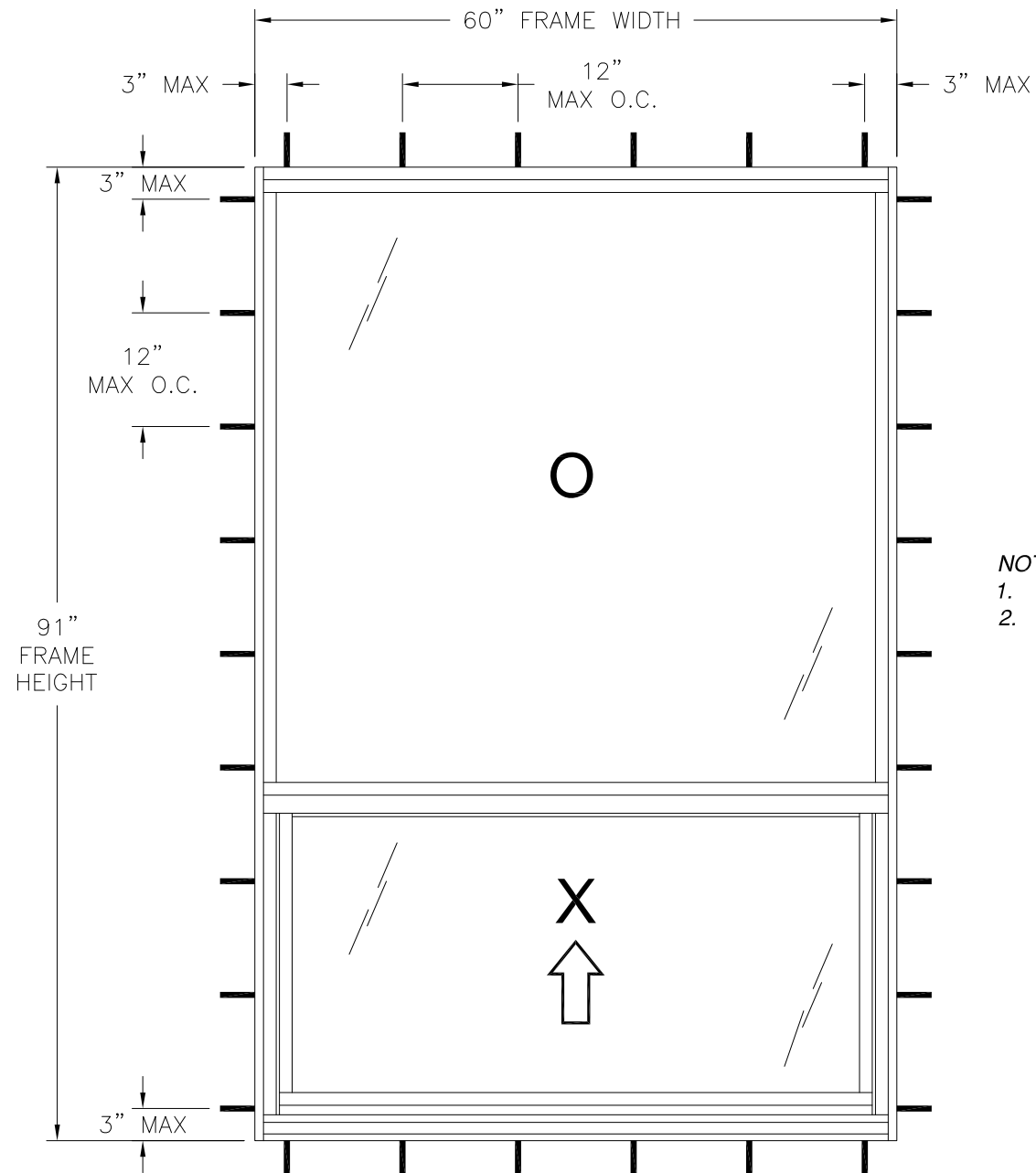
US ALUMINUM 950 SOLON RD. WAXAHACHIE, TX 75165		
SERIES IW8000 SINGLE HUNG WINDOW 60" X 91" SMALL MISSILE IMPACT NOTES		
DRAWN: A.R.	DWG NO. 08-03277	REV A
SCALE NTS	DATE 04/22/19	SHEET 1 OF 6
L. ROBERTO LOMAS P.E. 400 S. PALM AVE, INDIALANTIC, FL 32903 434-688-0609 rllomas@lrlomaspe.com		

SIGNED: 04/11/2023



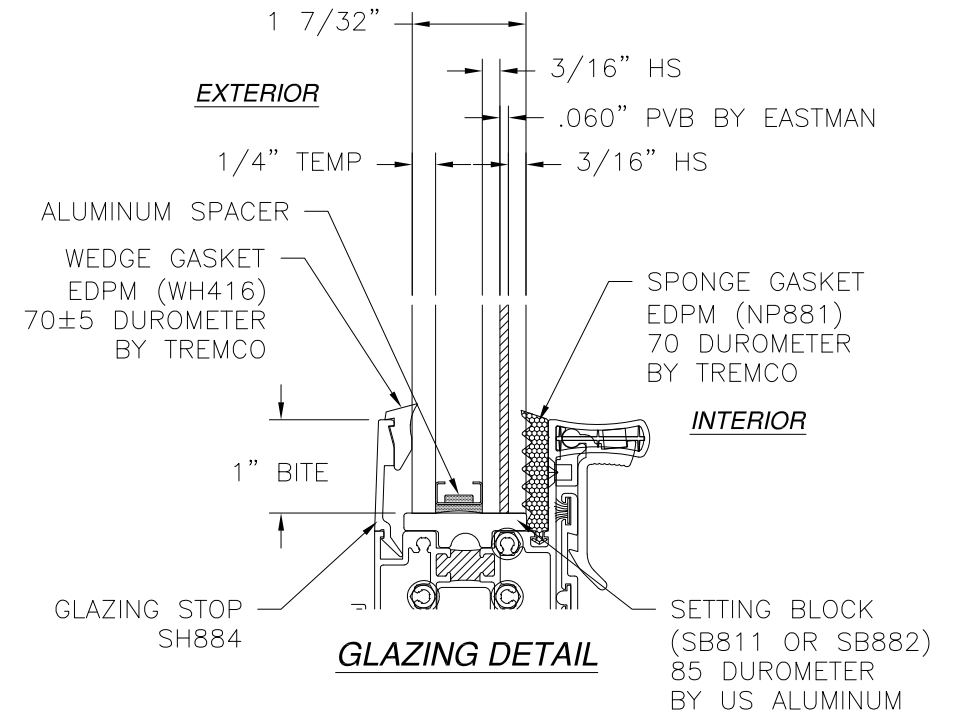
Luis R. Lomas P.E.
FL No.: 62514

REVISIONS			
REV	DESCRIPTION	DATE	APPROVED
A	CHANGE MANUFACTURER'S NAME	04/11/2023	R.L.



SERIES IW8000 SINGLE HUNG WINDOW
EXTERIOR VIEW

- NOTES:**
- INACTIVE PANEL D.L.O.: 56" X 56 1/8"
 - ACTIVE PANEL D.L.O.: 56" X 25 1/8"



DESIGN PRESSURE RATING	IMPACT RATING
±80.0PSF	SMALL MISSILE IMPACT

MISSILE LEVEL A, WIND ZONE 4 AND HVHZ

60" X 91" UNIT SHOWN. OTHER SIZES APPROVED AS LONG AS FRAME AREA DOES NOT EXCEED 37.91 FT²

HARDWARE SCHEDULE

A.	(1 ROW) PC GUIDE (NP 942) AT INTERIOR LEG OF FRAME AT JAMBS AND SILL
B.	(2) AMESBURY-BALANCE (K29095) AT MIDSPAN OF JAMBS
C.	(2) LATCH (SH858) AT BOTTOM RAIL, 16 1/2" FROM EACH END OF SASH

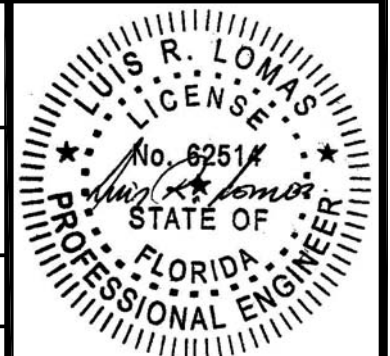
SIGNED: 04/11/2023

US ALUMINUM
950 SOLON RD.
WAXAHACHIE, TX 75165

SERIES IW8000 SINGLE HUNG WINDOW
60" X 91" SMALL MISSILE IMPACT
ELEVATION AND GLAZING DETAIL

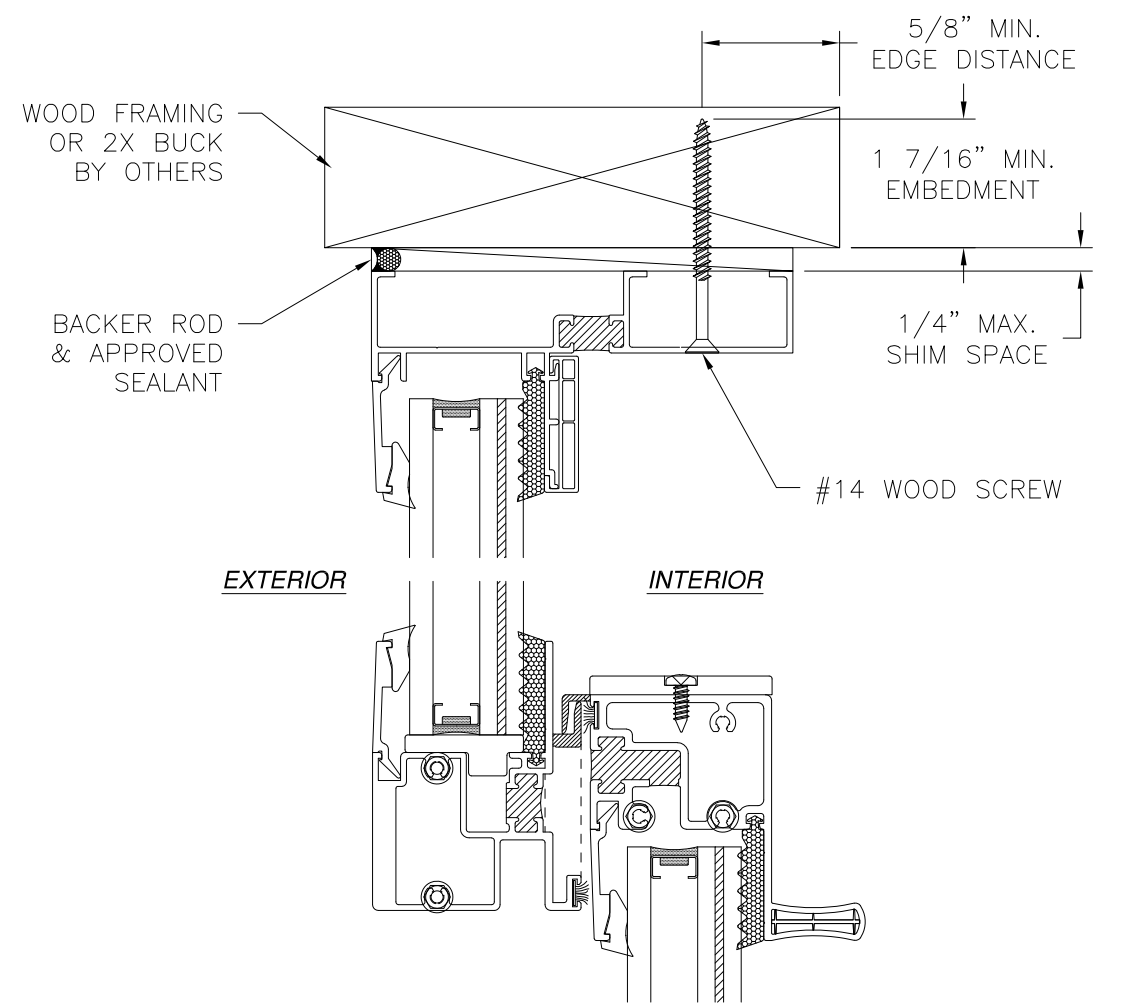
DRAWN: A.R.	DWG NO. 08-03277	REV A
SCALE NTS	DATE 04/22/19	SHEET 2 OF 6

L. ROBERTO LOMAS P.E.
400 S. PALM AVE, INDIALANTIC, FL 32903
434-688-0609 rllomas@rlomaspe.com

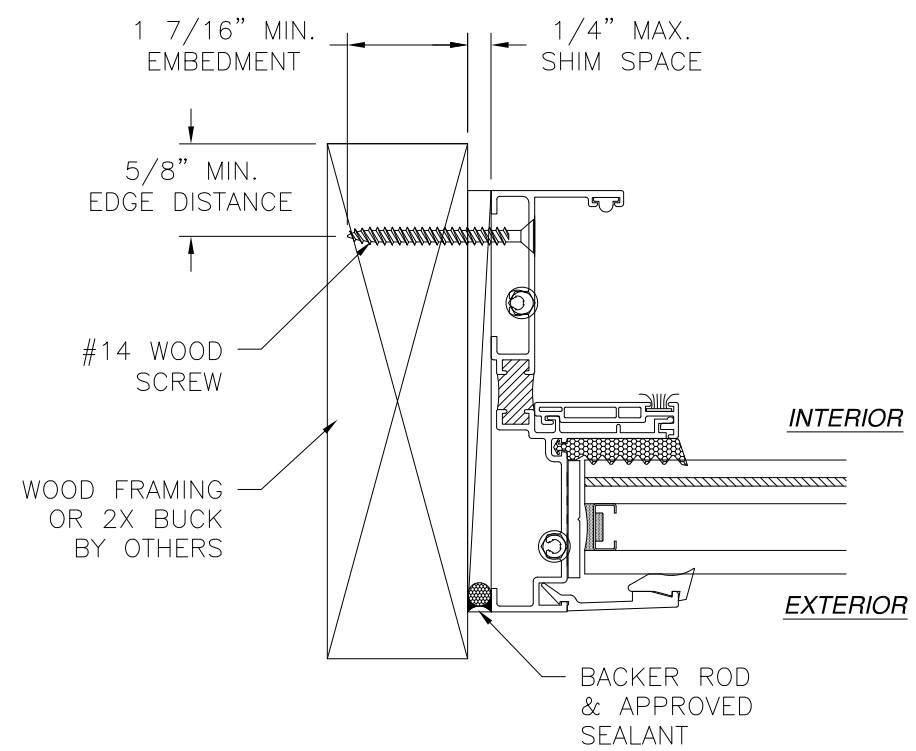


Luis R. Lomas P.E.
FL No.: 62514

REVISIONS			
REV	DESCRIPTION	DATE	APPROVED
A	CHANGE MANUFACTURER'S NAME	04/11/2023	R.L.



VERTICAL CROSS SECTION
WOOD FRAMING OR 2X BUCK INSTALLATION

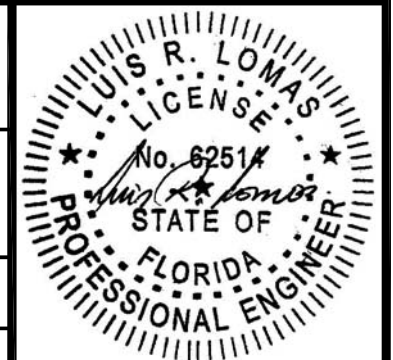


JAMB INSTALLATION DETAIL
WOOD FRAMING OR 2X BUCK INSTALLATION

- NOTES:**
1. INTERIOR AND EXTERIOR FINISHES, BY OTHERS, NOT SHOWN FOR CLARITY.
 2. PERIMETER AND JOINT SEALANT BY OTHERS TO BE DESIGNED IN ACCORDANCE WITH ASTM E2112

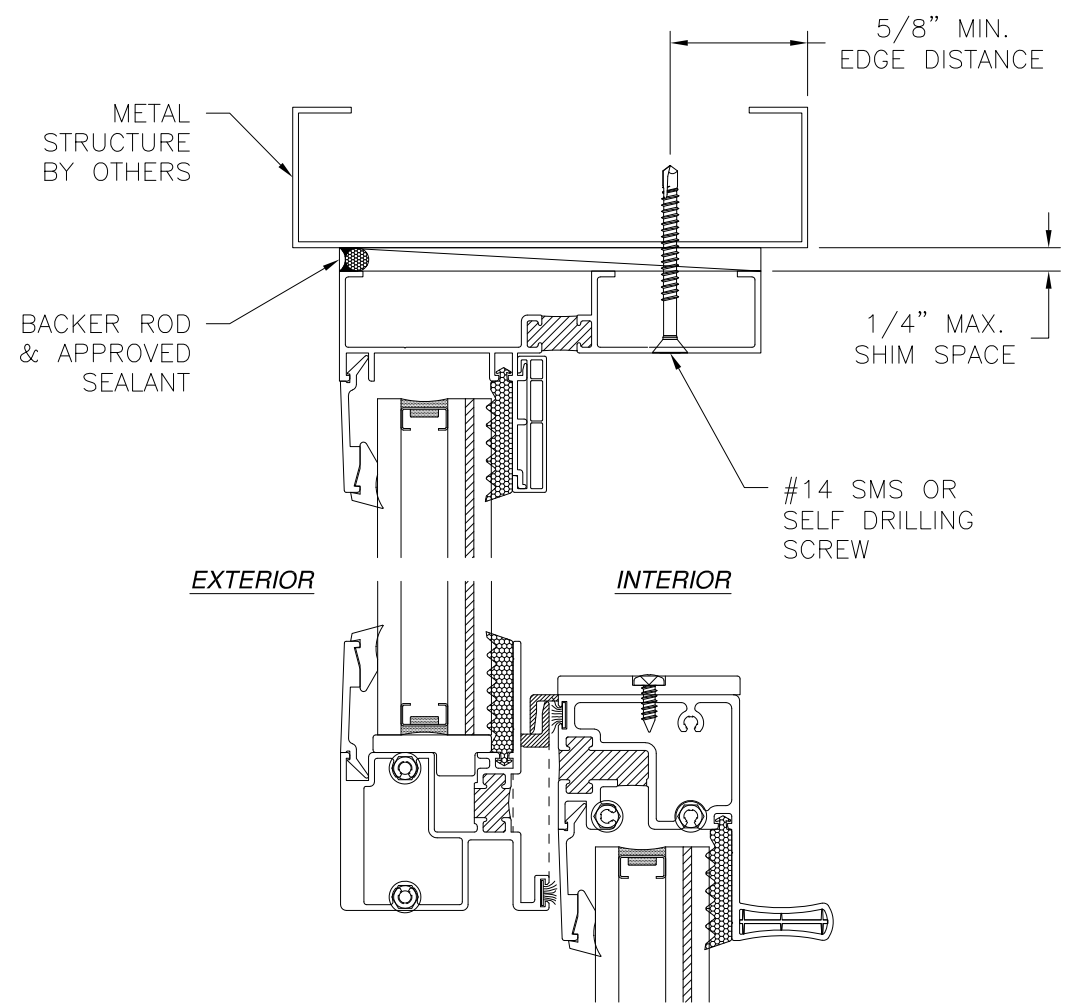
SIGNED: 04/11/2023

US ALUMINUM 950 SOLON RD. WAXAHACHIE, TX 75165		
SERIES IW8000 SINGLE HUNG WINDOW 60" X 91" SMALL MISSILE IMPACT INSTALLATION DETAILS		
DRAWN: A.R.	DWG NO. 08-03277	REV A
SCALE NTS	DATE 04/22/19	SHEET 3 OF 6
L. ROBERTO LOMAS P.E. 400 S. PALM AVE, INDIALANTIC, FL 32903 434-688-0609 rllomas@rlomaspe.com		

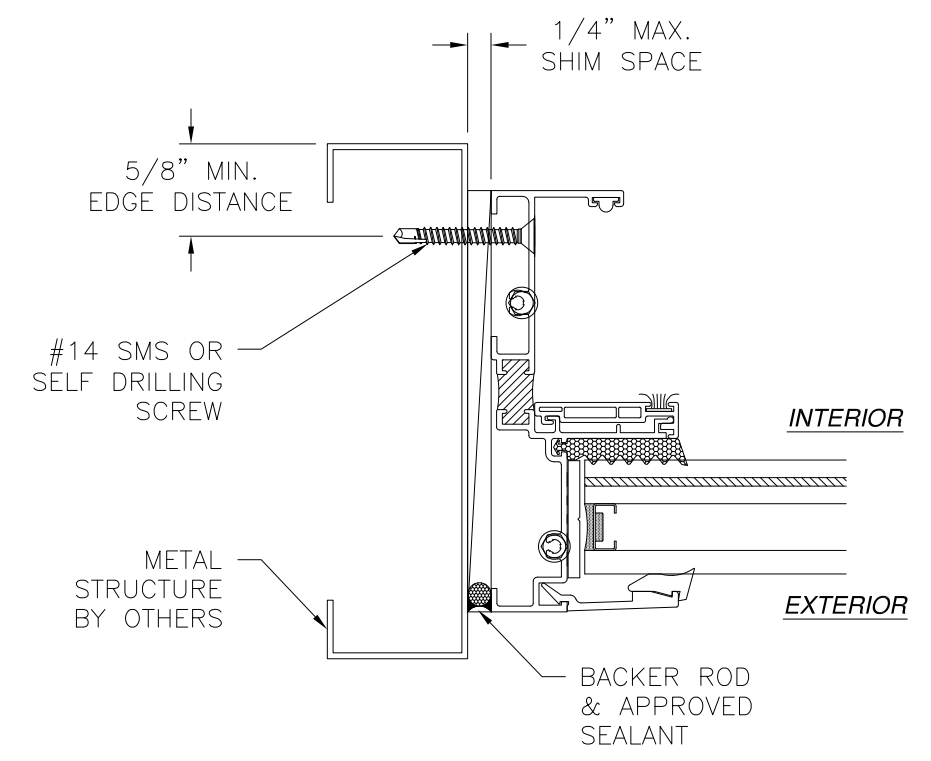


Luis R. Lomas P.E.
FL No.: 62514

REVISIONS			
REV	DESCRIPTION	DATE	APPROVED
A	CHANGE MANUFACTURER'S NAME	04/11/2023	R.L.



**VERTICAL CROSS SECTION
METAL STRUCTURE INSTALLATION**



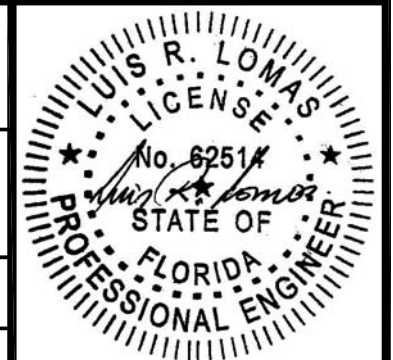
**JAMB INSTALLATION DETAIL
METAL STRUCTURE INSTALLATION**

NOTES:

1. INTERIOR AND EXTERIOR FINISHES, BY OTHERS, NOT SHOWN FOR CLARITY.
2. PERIMETER AND JOINT SEALANT BY OTHERS TO BE DESIGNED IN ACCORDANCE WITH ASTM E2112

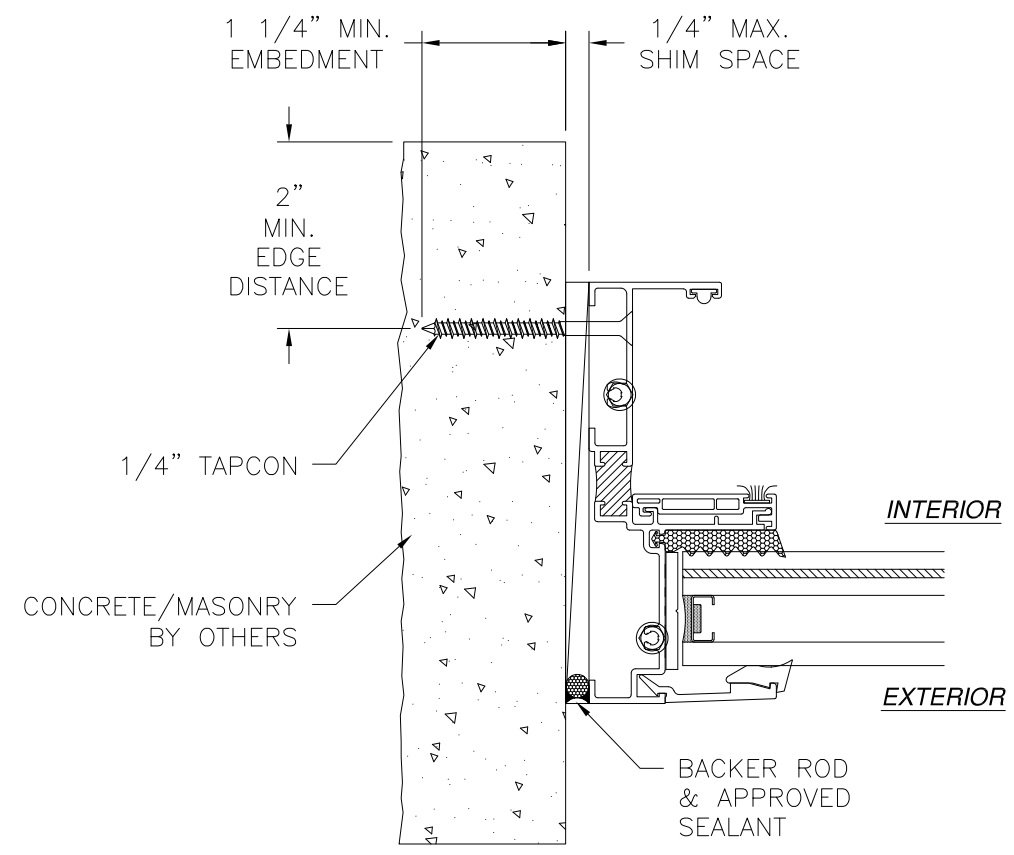
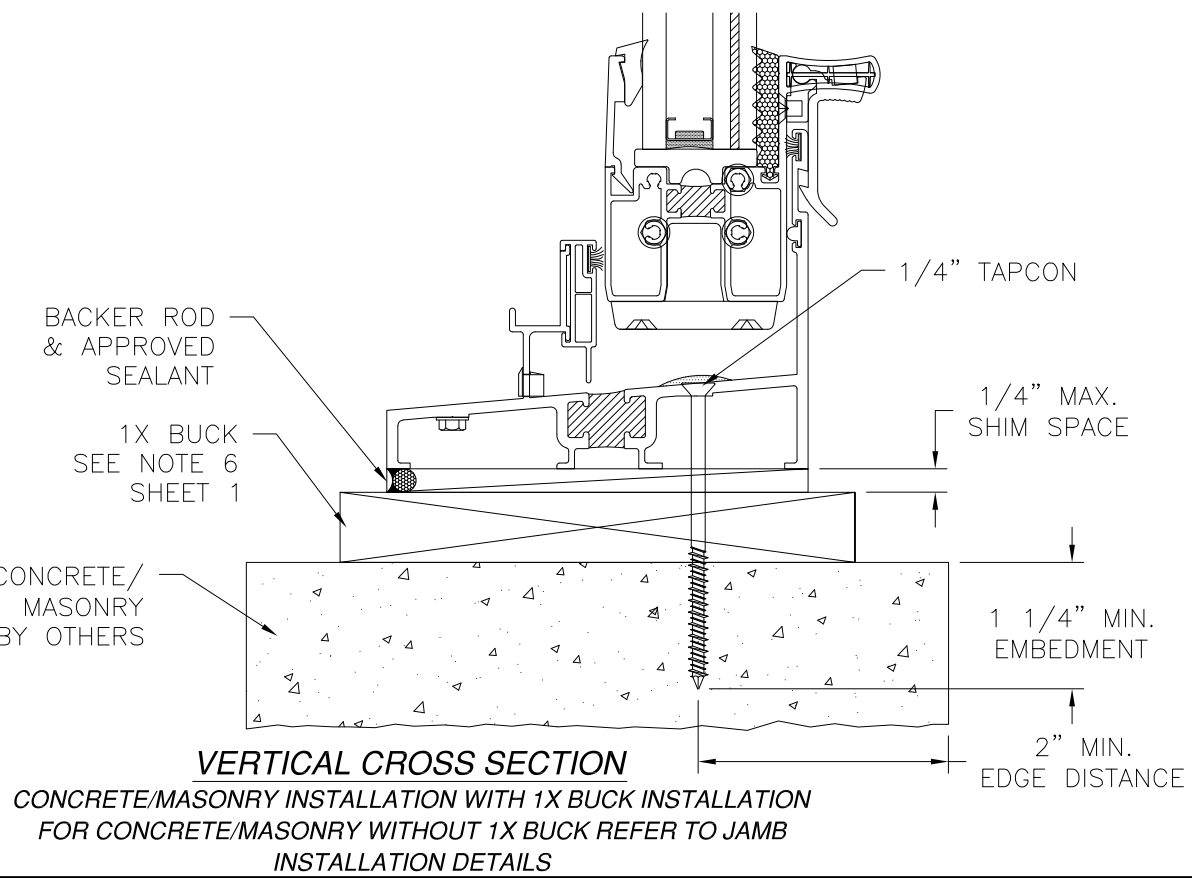
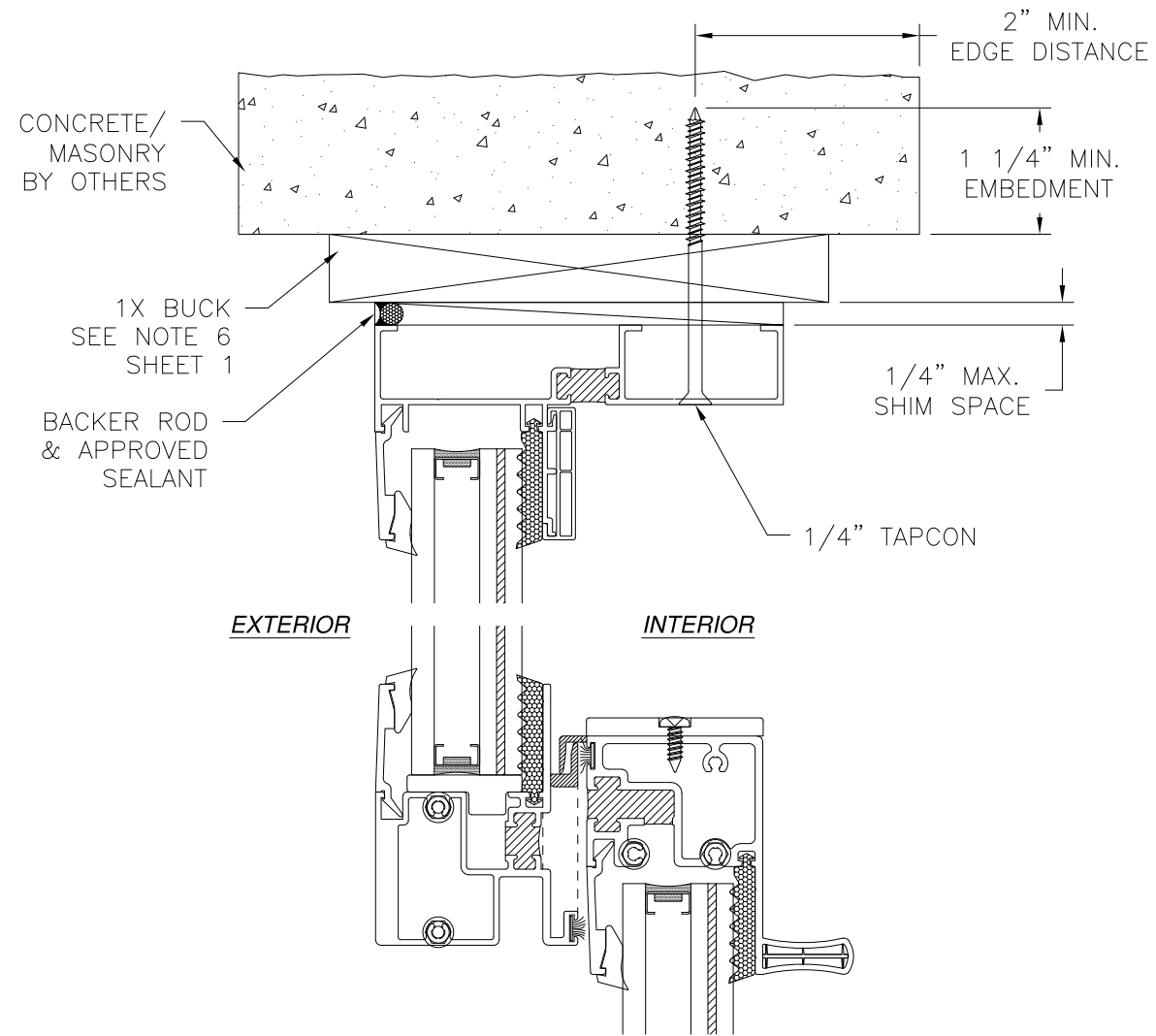
SIGNED: 04/11/2023

US ALUMINUM 950 SOLON RD. WAXAHACHIE, TX 75165		
SERIES IW8000 SINGLE HUNG WINDOW 60" X 91" SMALL MISSILE IMPACT INSTALLATION DETAILS		
DRAWN: A.R.	DWG NO. 08-03277	REV A
SCALE NTS	DATE 04/22/19	SHEET 4 OF 6
L. ROBERTO LOMAS P.E. 400 S. PALM AVE, INDIALANTIC, FL 32903 434-688-0609 rllomas@rlomaspe.com		



Luis R. Lomas P.E.
FL No.: 62514

REVISIONS			
REV	DESCRIPTION	DATE	APPROVED
A	CHANGE MANUFACTURER'S NAME	04/11/2023	R.L.

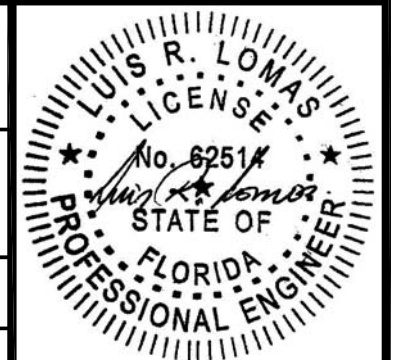


JAMB INSTALLATION DETAIL
 CONCRETE/MASONRY WITHOUT 1X BUCK INSTALLATION
 FOR CONCRETE/MASONRY INSTALLATION WITH 1X BUCK REFER
 TO HEAD AND SILL INSTALLATION DETAILS

- NOTES:**
1. INTERIOR AND EXTERIOR FINISHES, BY OTHERS, NOT SHOWN FOR CLARITY.
 2. PERIMETER AND JOINT SEALANT BY OTHERS TO BE DESIGNED IN ACCORDANCE WITH ASTM E2112

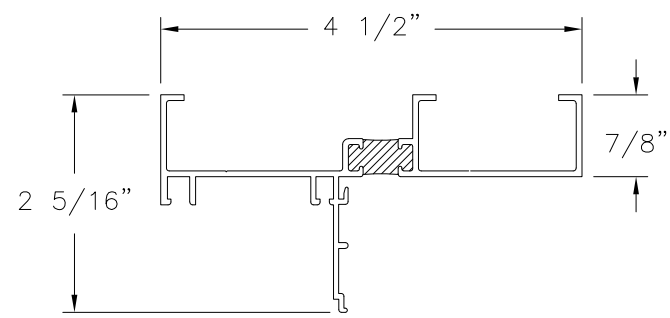
SIGNED: 04/11/2023

US ALUMINUM 950 SOLON RD. WAXAHACHIE, TX 75165		
SERIES IW8000 SINGLE HUNG WINDOW 60" X 91" SMALL MISSILE IMPACT INSTALLATION DETAILS		
DRAWN: A.R.	DWG NO. 08-03277	REV A
SCALE NTS	DATE 04/22/19	SHEET 5 OF 6
L. ROBERTO LOMAS P.E. 400 S. PALM AVE, INDIALANTIC, FL 32903 434-688-0609 rllomas@rlomaspe.com		

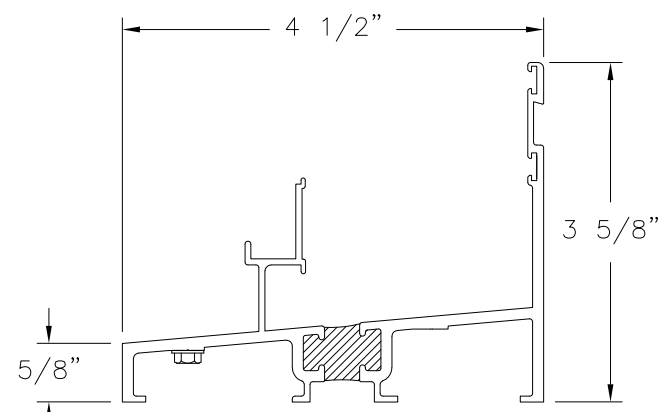


Luis R. Lomas P.E.
 FL No.: 62514

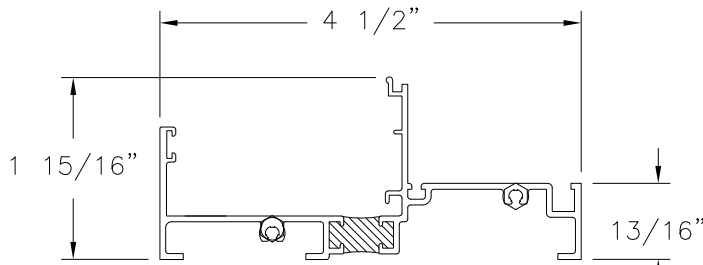
REVISIONS			
REV	DESCRIPTION	DATE	APPROVED
A	CHANGE MANUFACTURER'S NAME	04/11/2023	R.L.



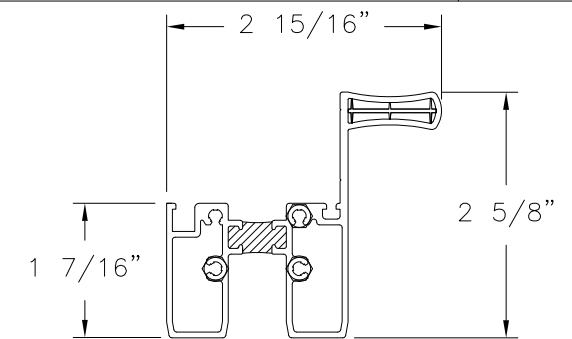
FRAME HEAD (SH812)
ALUMINUM 6063-T5



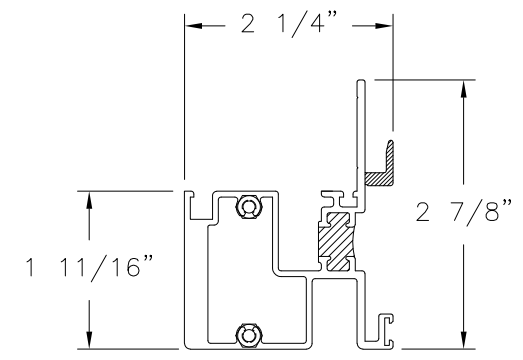
FRAME SILL (SH813)
ALUMINUM 6063-T5



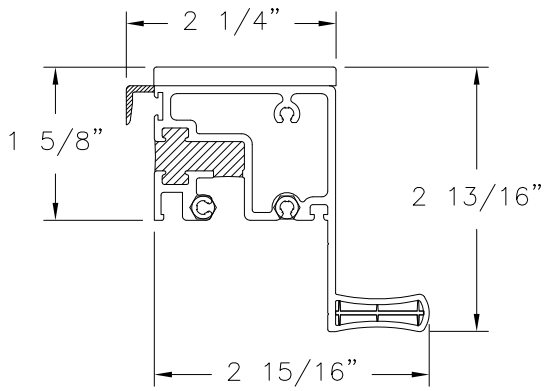
FRAME JAMB (SH814)
ALUMINUM 6063-T5



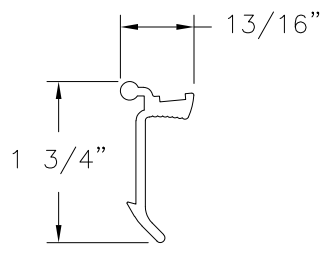
VENT EXTRUSION (SH852)
ALUMINUM 6063-T5



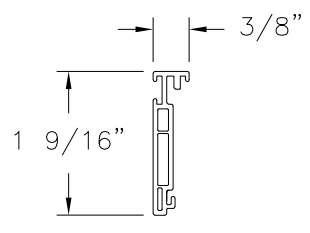
VENT EXTRUSION (SH866)
ALUMINUM 6063-T5



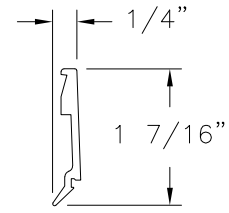
VENT HEAD EXTRUSION (SH854)
ALUMINUM 6063-T5



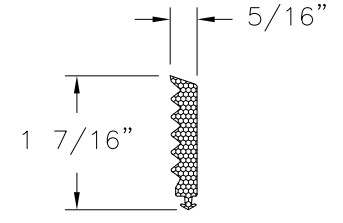
INTERLOCK (SH858)
ALUMINUM 6063-T5



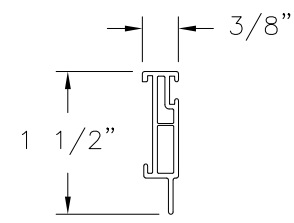
ISOLATOR STRUT (WH809)
ALUMINUM 6063-T5



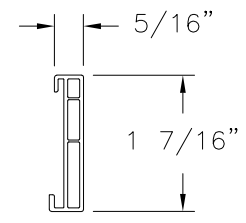
GLAZING STOP (SH884)
ALUMINUM 6063-T5



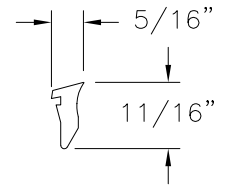
SPONGE GASKET (NP881)
EPDM, 70 DUROMETER BY TREMCO



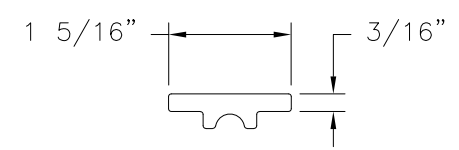
ISOLATOR STRUT (WH811)
ALUMINUM 6063-T5



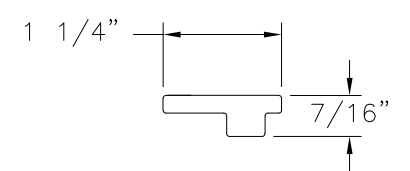
HEAD THERMAL ISOLATOR (WH808)
ALUMINUM 6063-T5



WEDGE GASKET (WH416)
EPDM, 70±5 DUROMETER BY TREMCO



SETTING BLOCK (SB811)
85 DUROMETER BY US ALUMINUM



SETTING BLOCK (SB882)
85 DUROMETER BY US ALUMINUM

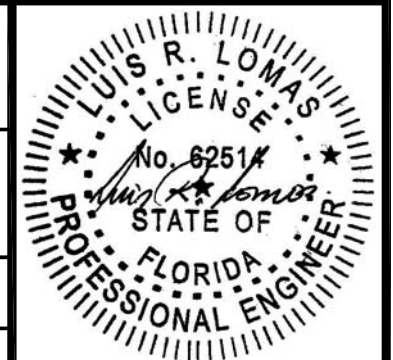
US ALUMINUM
950 SOLON RD.
WAXAHACHIE, TX 75165

SERIES IW8000 SINGLE HUNG WINDOW
60" X 91" SMALL MISSILE IMPACT
COMPONENTS

DRAWN: A.R.	DWG NO. 08-03277	REV A
SCALE NTS	DATE 04/22/19	SHEET 6 OF 6

L. ROBERTO LOMAS P.E.
400 S. PALM AVE, INDIALANTIC, FL 32903
434-688-0609 rllomas@rlomaspe.com

SIGNED: 04/11/2023



Luis R. Lomas P.E.
FL No.: 62514