

# RENAISSANCE WINDOWS AND DOORS

## SERIES 8500 VINYL XO-OX HORIZONTAL SLIDING WINDOW

### INSTALLATION ANCHORAGE DETAILS

**GENERAL NOTES:**

1. THIS PRODUCT HAS BEEN TESTED, EVALUATED AND DESIGNED TO THE CURRENT EDITION OF THE FLORIDA BUILDING CODE. TESTING WAS CONDUCTED IN ACCORDANCE WITH AAMA/NWWDA 101/I.S.2-97.
2. THE PRODUCT DETAILS CONTAINED HEREIN ARE BASED UPON SIGNED AND SEALED TEST REPORT 02-46303.03 AND ASSOCIATED LABORATORY DRAWINGS BY ARCHITECTURAL TESTING, INC.
3. THIS PRODUCT EVALUATION DOCUMENT IS NOT FOR USE IN THE HIGH VELOCITY HURRICANE ZONE (HVHZ).
4. ADEQUACY OF THE EXISTING STRUCTURAL CONCRETE / MASONRY AND 2X FRAMING FRAMING SUBSTRATES AS A MAIN WIND FORCE RESISTING SYSTEM CAPABLE OF WITHSTANDING AND TRANSFERRING APPLIED PRODUCT LOADS TO THE FOUNDATION IS THE RESPONSIBILITY OF THE LICENSED PROFESSIONAL ENGINEER OR REGISTERED ARCHITECT ACTING AS THE DESIGN PROFESSIONAL OF RECORD FOR THE PROJECT OF INSTALLATION.
5. 1X AND 2X BUCKS (WHEN USED) SHALL BE DESIGNED AND ANCHORED TO PROPERLY TRANSFER ALL LOADS TO THE STRUCTURE. BUCK DESIGN AND INSTALLATION IS THE RESPONSIBILITY OF THE LICENSED PROFESSIONAL ENGINEER OR REGISTERED ARCHITECT ACTING AS THE DESIGN PROFESSIONAL OF RECORD FOR THE PROJECT OF INSTALLATION.
6. WHEN INSTALLED IN LOCATIONS WHERE WINDBORNE DEBRIS PROTECTION REQUIREMENTS EXIST, THIS PRODUCT REQUIRES OPENING PROTECTION IN ACCORDANCE WITH THE CURRENT EDITION OF THE FLORIDA BUILDING CODE USING AN APPROVED IMPACT PROTECTION DEVICE.
7. SITE CONDITIONS NOT COVERED IN THIS PRODUCT EVALUATION DOCUMENT ARE SUBJECT TO ADDITIONAL ENGINEERING ANALYSIS BY A LICENSED PROFESSIONAL ENGINEER OR REGISTERED ARCHITECT AS REQUIRED BY THE AUTHORITY HAVING JURISDICTION.
8. WINDOW FRAME MATERIAL: VINYL (PVC).
9. GLASS MEETS THE REQUIREMENTS OF ASTM E1300-09a.
10. DESIGNATION "O" STANDS FOR FIXED LITE AND "X" STANDS FOR OPERABLE VENT/SASH LITE.
11. THESE DRAWINGS CERTIFY THE WINDOW INSTALLATION ONLY. WATER PROOFING OF THE INSTALLED WINDOW IS NOT PART OF THIS INSTALLATION CERTIFICATION. THAT RESPONSIBILITY SHALL BE THAT OF THE MANUFACTURER AND/OR THE INSTALLER.

**INSTALLATION NOTES:**

1. PRODUCT ANCHORS SHALL BE AS DESIGNATED AND LOCATED AS SHOWN IN THIS PRODUCT EVALUATION DOCUMENT. ANCHOR EMBEDMENT AND EDGE DISTANCE EXCLUDE WALL FINISHES, INCLUDING BUT NOT LIMITED TO STUCCO, FOAM, BRICK VENEER AND SIDING.
2. SEE INSTALLATION ANCHOR SCHEDULE ON SHEET 2 FOR TYPE AND GRADE OF ANCHOR, AND/OR MANUFACTURER'S ANCHOR SPECIFICATIONS, INCLUDING MINIMUM NOMINAL SIZE, MINIMUM EMBEDMENT INTO SUBSTRATE AND MINIMUM EDGE DISTANCES.
  - 2.1. EDGE DISTANCES SHALL BE MEASURED FROM CENTERLINE OF ANCHOR TO EDGE OF STRUCTURAL SUBSTRATE EITHER TO THE INTERIOR OR EXTERIOR OF THE FENESTRATION PRODUCT.
  - 2.2. MINIMUM EMBEDMENT SHALL BE BASED ON PENETRATION INTO MAIN WIND FORCE RESISTING SYSTEM SUBSTRATE.
3. SEE SHEET 6, 7 AND 8 FOR SPECIFIC ANCHOR INSTALLATION DETAILS.
4. ONE (1) INSTALLATION ANCHOR IS REQUIRED AT EACH ANCHOR LOCATION SHOWN.
5. ANCHOR QUANTITIES AND SPACING / EMBEDMENT AND EDGE DISTANCE
  - 5.1. THE NUMBER OF INSTALLATION ANCHORS IS BASED ON THE MAXIMUM END DISTANCE (ED) AND THE MAXIMUM ON CENTER (O.C.) SPACING PLACEMENT OF ANCHORS IN ACCORDANCE WITH ELEVATIONS ON SHEETS 3 AND 4.
  - 5.2. END DISTANCES AND O.C. SPACINGS LESS THAN THAT SHOWN IN THE ELEVATIONS ON SHEETS 3 AND 4 ARE ACCEPTABLE.
  - 5.3. FOR WINDOW SIZES SMALLER THAN THOSE SHOWN, ANCHOR QUANTITIES CAN BE REDUCED WHILE MAINTAINING EDGE DISTANCE AND O.C. SPACING REQUIREMENTS.
  - 5.4. ANCHOR QUANTITIES AND SPACINGS SHOWN ARE BASED ON THE LOWER OF ANCHOR SPACING USED IN TESTING OR REQUIRED BY LOADING AT DESIGN PRESSURE.
  - 5.5. SEE EMBEDMENT AND EDGE DISTANCE DESCRIPTION ON SHEET 2.
6. MAXIMUM ALLOWABLE SHIM THICKNESS IS 1/4 INCH. SHIM WHERE SPACE OF 1/16 INCH OR GREATER OCCURS. SHIM(S) SHALL BE CONSTRUCTED OF WOOD COMPOSITE, HIGH DENSITY PLASTIC OR SIMILAR LOAD BEARING MATERIAL.
7. FOR CONCRETE BLOCK APPLICATIONS DO NOT INSTALL INSTALLATION ANCHORS INTO MORTAR JOINTS.
8. INSTALLATION ANCHORS SHALL BE INSTALLED IN ACCORDANCE WITH ANCHOR MANUFACTURER'S INSTALLATION INSTRUCTIONS AND ANCHORS SHALL NOT BE USED IN SUBSTRATES WITH STRENGTHS LESS THAN THE MINIMUM STRENGTH SPECIFIED IN THE INSTALLATION ANCHOR SCHEDULE ON SHEET 2.

TABLE OF CONTENTS

SHEET	SHEET DESCRIPTION
1	GENERAL NOTES, INSTALLATION NOTES, TABLE OF CONTENTS
2	ANCHOR SCHEDULE - EMBEDMENT AND EDGE DISTANCE
3	NOMINAL 72" x 48" XO/OX WINDOW ELEVATION
4	NOMINAL 72" x 48" FIN FRAME ANCHORING LAYOUT ELEVATION
5	NOMINAL 72" x 48" THROUGH FRAME ANCHORING LAYOUT ELEVATION
6	VERTICAL CROSS SECTIONS
7	HORIZONTAL CROSS SECTION
8	FIN FRAME AND THROUGH FRAME ANCHORING CROSS SECTIONS
9	GLAZING DETAIL AND GLAZING NOTES /BILL OR MATERIALS

PERFORMANCE RATING

MAXIMUM WINDOW SIZE	ELEVATION	GLAZING DETAIL (SEE SHEET 9)	DESIGN PRESSURE (PSF)	IMPACT RATING
NOMINAL 72" x 48" (71-5/8" x 47-5/8")	SHEET 3	A	+/- 40	NONE SEE GENERAL NOTE 6

PROJECT # 419-0901

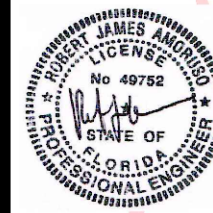
RENAISSANCE WINDOWS AND DOORS  
13340 INTERNATIONAL PARKWAY  
JACKSONVILLE, FL 32218

TITLE: SERIES 8500 VINYL XO-OX HORIZONTAL SLIDING WINDOW  
GENERAL NOTES, INSTALLATION NOTES & TABLE OF CONTENTS

DRAWN BY: RJA  
 SCALE: N.T.S.  
 DATE: 12/15/19  
 DRAWING NO: RWD0003  
 SHEET: 1 OF 9  
 REV: First Issue



Robert J. Amoruso, P.E.  
Florida P.E. No. 49752



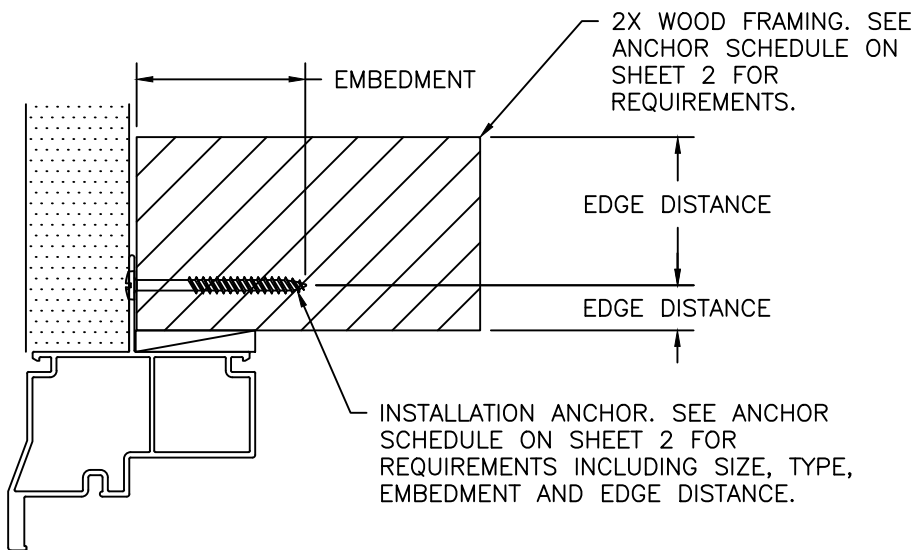
Digitally signed by Robert J Amoruso  
Date: 2019.12.05 13:52:11 -05'00'

**INSTALLATION ANCHOR SCHEDULE**

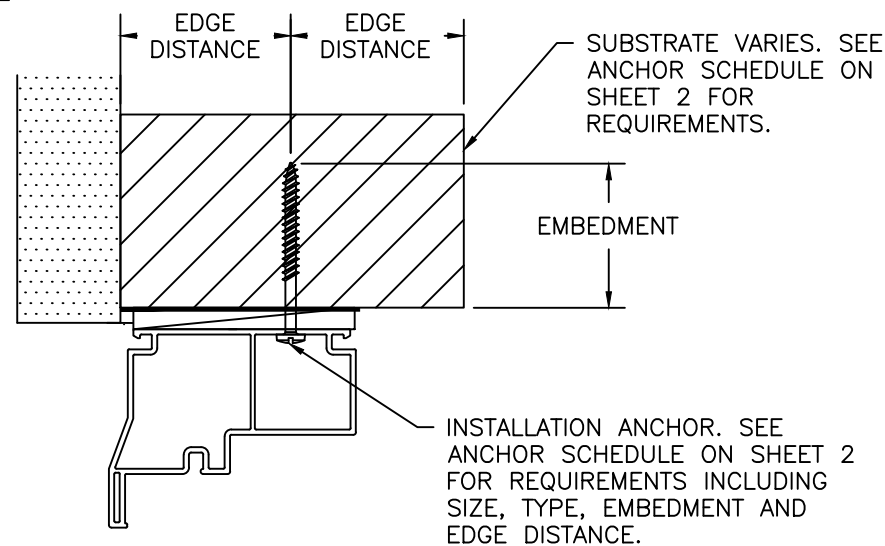
INSTALLATION TYPE	SECTION VIEW	FASTENER HEAD TYPE	FASTENER SIZE	SUBSTRATE	MANUFACTURER AND/OR SPECIFICATION	MIN. EMBEDMENT (IN)	MIN. EDGE DISTANCE (IN)	MIN. SPACING (IN) BETWEEN FRAME ANCHORS	ANCHOR CAPACITIES BASED ON
THROUGH FRAME ANCHOR	SECTION A, B & C (SHEET 6)	HEX HEAD	3/16"	CONCRETE	ITW TAPCONS (1)	1	1-1/8	3	MIN. 2000 PSI CONCRETE
				MASONRY (BLOCK/CMU)	ITW TAPCONS (1)	1	2	3	STRENGTH CONFORMANCE TO ASTM C-90, MEDIUM WEIGHT
		PAN HEAD	No. 10	WOOD	ANSI B18.6.1 (WOOD SCREW) (2) GRADE 2 EQUIVALENT ASME B18.6.4 (TAPPING SCREW) (2) GRADE 2 EQUIVALENT	1-3/8	3/4	2 1/2	WOOD WITH A MINIMUM SPECIFIC GRAVITY OF 0.42.
SNAP-ON FLANGE WITH THROUGH FRAME ANCHOR	SECTION A, B & C (SHEET 7)	PAN HEAD	No. 10	WOOD	ANSI B18.6.1 (WOOD SCREW) (2) GRADE 2 EQUIVALENT	1-3/8	3/4	2 1/2	WOOD WITH A MINIMUM SPECIFIC GRAVITY OF 0.42.
					ASME B18.6.4 (TAPPING SCREW) (2) GRADE 2 EQUIVALENT				
NAILING FIN ANCHOR	SECTION A, B & C (SHEET 5)	PAN WASHER HEAD (0.352" MIN. HEAD DIAMETER)	No. 8	WOOD	ANSI B18.6.1 (WOOD SCREW) (3) GRADE 2 EQUIVALENT	1-5/8	1/4	1	WOOD WITH A MINIMUM SPECIFIC GRAVITY OF 0.42.
					ASME B18.6.4 (TAPPING SCREW) (3) GRADE 2 EQUIVALENT				

**NOTES:**

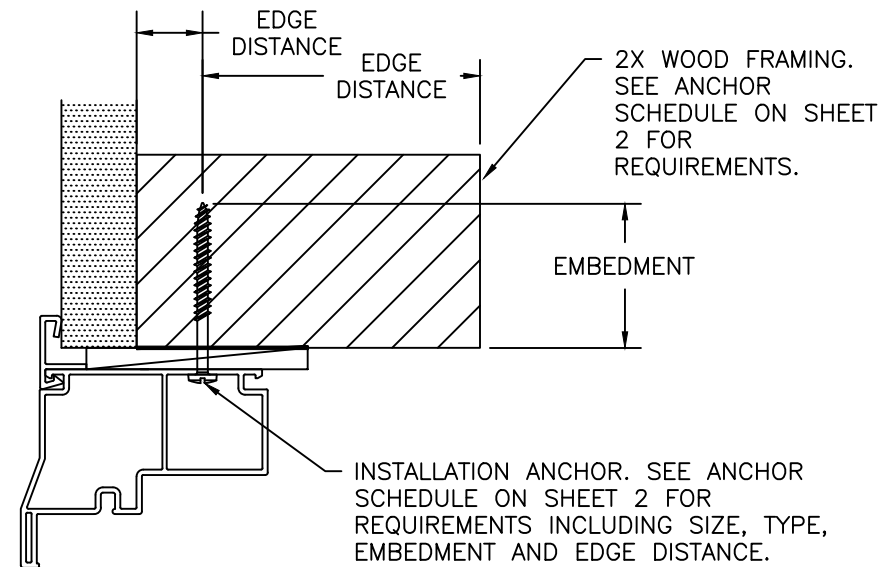
- 1) WHEN ITW TAPCONS ARE USED FOR CONCRETE/MASONRY INSTALLATION, THEY SHALL BE THE ADVANCED THREADFORM TECHNOLOGY TYPE.
- 2) FOR WOOD SCREW INSTALLATION INTO WOOD SUBSTRATE; IF SPLITTING IS A CONCERN, DRILL 0.090" PILOT HOLE (DRILL SIZE 43). FOR TAPPING SCREW INSTALLATION INTO WOOD SUBSTRATE; IF SPLITTING IS A CONCERN, DRILL 0.121" PILOT HOLE (DRILL SIZE 31).
- 3) FOR WOOD OR TAPPING SCREW INSTALLATION INTO WOOD SUBSTRATE; IF SPLITTING IS A CONCERN, DRILL 0.082" PILOT HOLE (DRILL SIZE 45).



**EMBEDMENT AND EDGE DISTANCE**  
NAILING FIN FRAME INSTALLATION



**EMBEDMENT AND EDGE DISTANCE**  
THROUGH-FRAME INSTALLATION



**EMBEDMENT AND EDGE DISTANCE**  
SNAP-ON FLANGE THROUGH-FRAME INSTALLATION

PROJECT # 419-0901

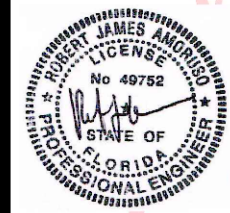
RENAISSANCE WINDOWS AND DOORS  
13340 INTERNATIONAL PARKWAY  
JACKSONVILLE, FL 32218

TITLE: SERIES 8500 VINYL XO-OX HORIZONTAL SLIDING WINDOW ANCHOR SCHEDULE - EMBEDMENT & EDGE DISTANCE

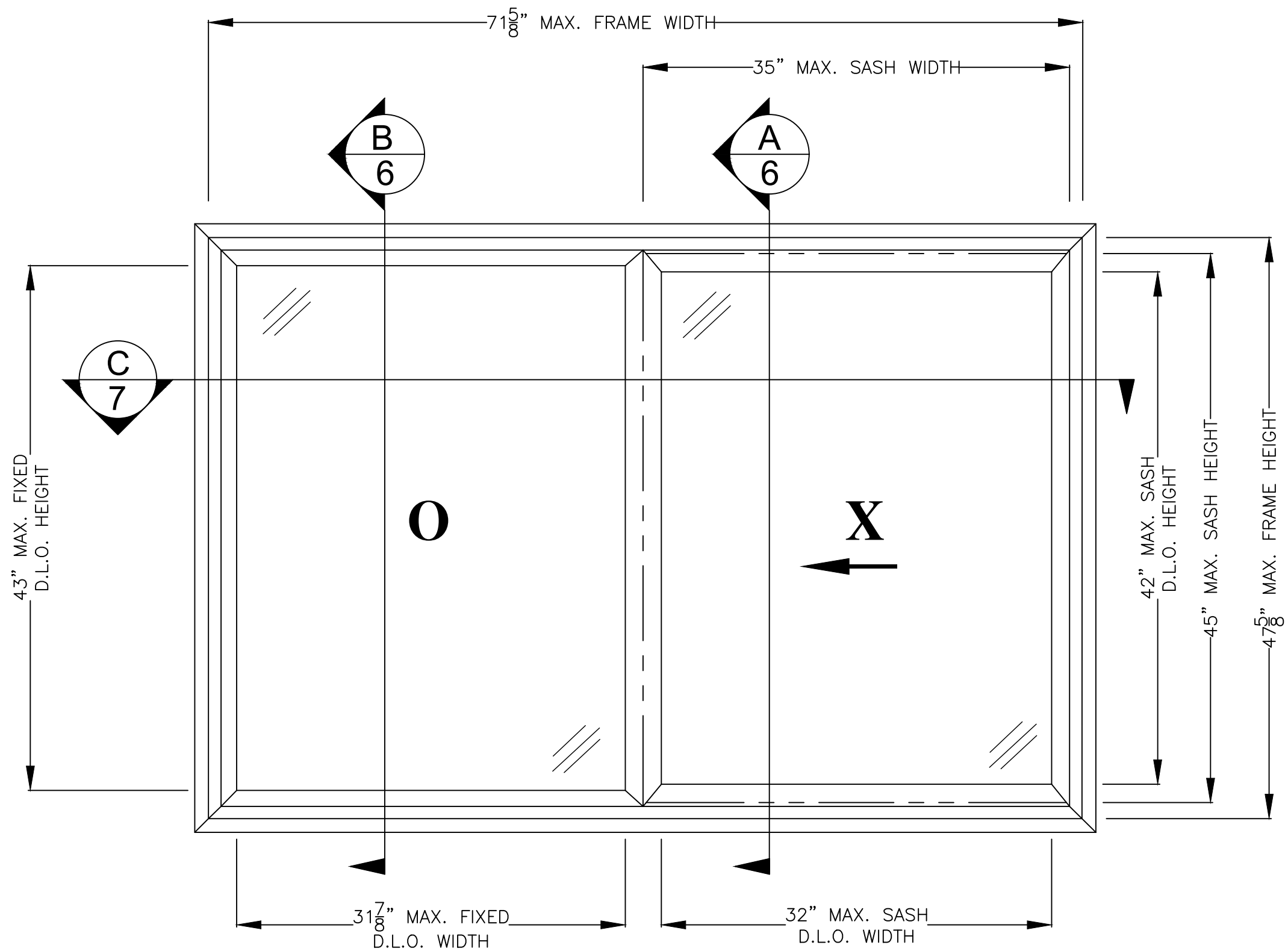
DATE: 12/15/19  
DRAWING NO: RWD0003  
SHEET: 2 OF 9  
DRAWN BY: RJA  
SCALE: N.T.S.  
REV: First Issue



Robert J. Amoruso, P.E.  
Florida P.E. No. 49752



Digitally signed by Robert J Amoruso  
Date: 2019.12.05 13:52:11 -05'00'



**SERIES 8500 VINYL HORIZONTAL SLIDING WINDOW**  
 EXTERIOR VIEW - FIN FRAME SHOWN (FOR THROUGH FRAME ANCHORING, FIN IS REMOVED)  
 72" X 48" NOMINAL SIZE SHOWN  
 OX SHOWN - XO OPPOSITE

PROJECT # 419-0901

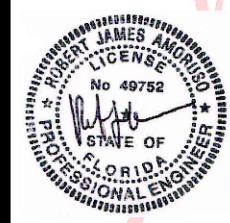
RENAISSANCE WINDOWS AND DOORS  
 13340 INTERNATIONAL PARKWAY  
 JACKSONVILLE, FL 32218

TITLE: SERIES 8500 VINYL XO-OX HORIZONTAL SLIDING WINDOW  
 NOMINAL 72" x 48" XO/OX WINDOW ELEVATION

PREPARED BY:	DATE:	12/5/19
DRAWN BY: RJA	DRAWING NO:	RWD0003
SCALE: N.T.S.	REV:	3 OF 9
REV: First Issue	DESCRIPTION	DATE
		BY



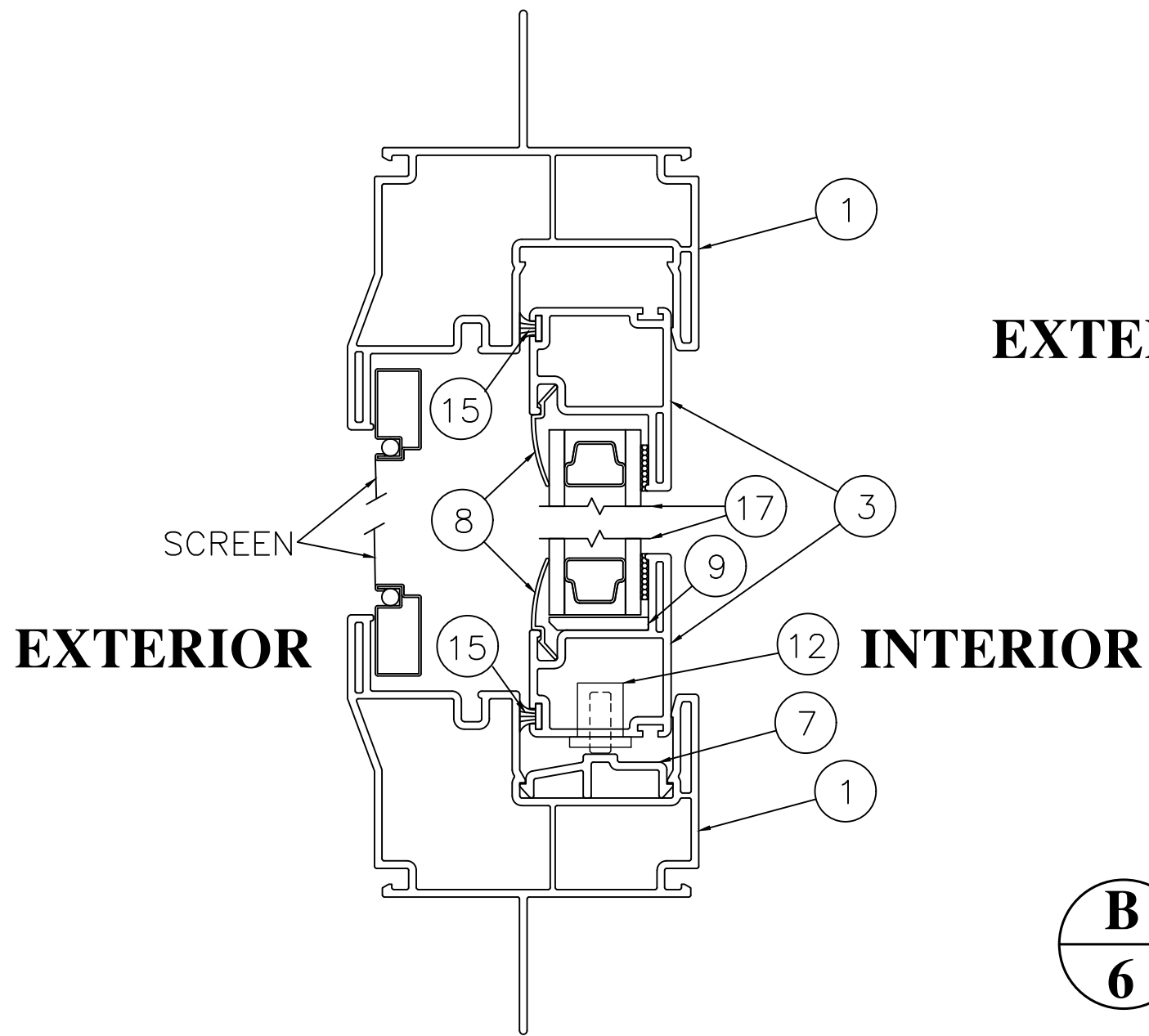
Robert J. Amoruso, P.E.  
 Florida P.E. No. 49752



Digitally signed by Robert J Amoruso  
 Date: 2019.12.05 13:52:11 -05'00'

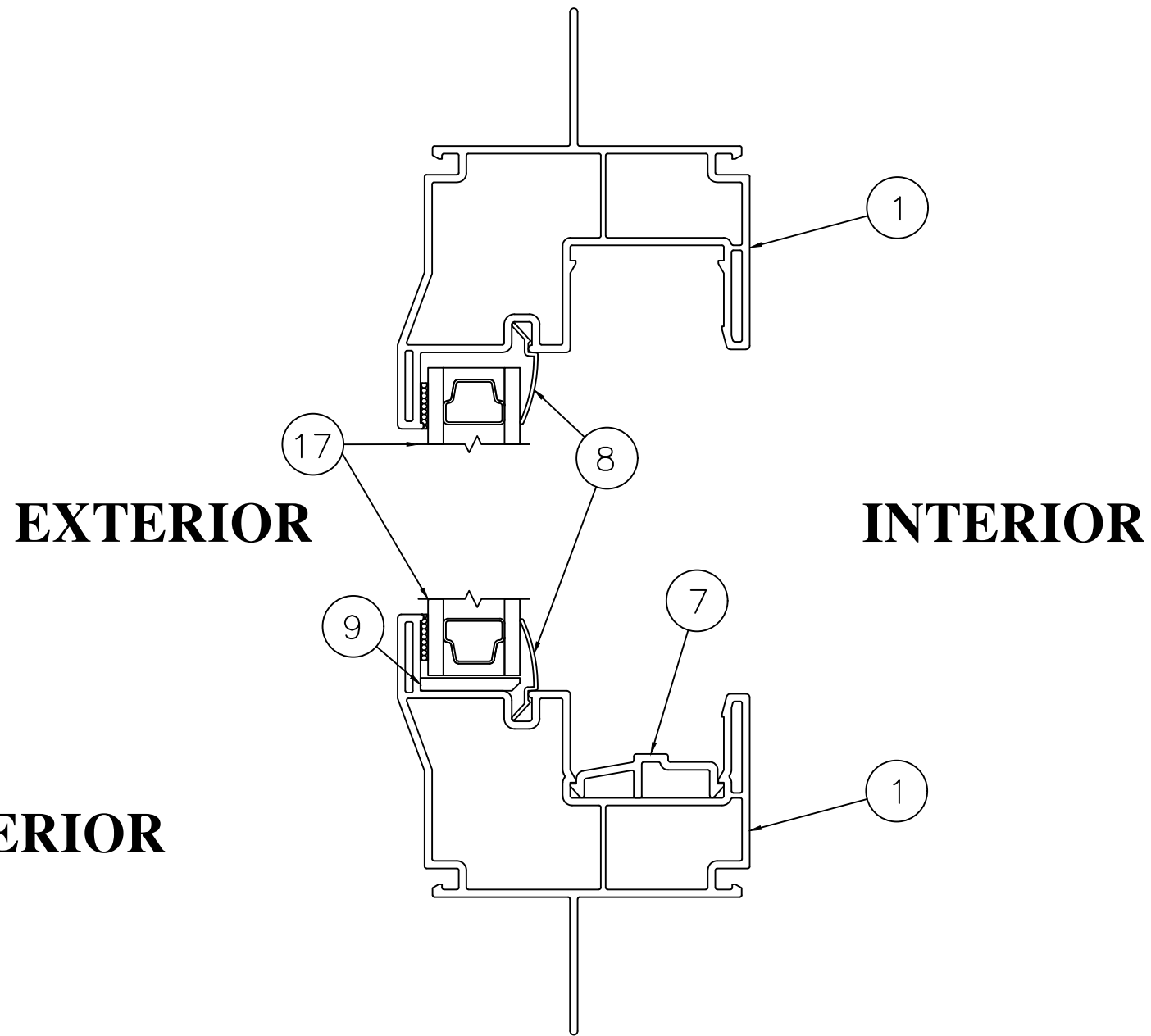






**A**  
**OX AND XO VERTICAL CROSS SECTION - VENT**

FIN FRAME ANCHORING CROSS SECTION SHOWN  
THROUGH-FRAME ANCHORING CROSS SECTION  
SAME WITH FIN REMOVED



**B**  
**OX AND XO VERTICAL CROSS SECTION - FIXED**

FIN FRAME ANCHORING CROSS SECTION SHOWN  
THROUGH-FRAME ANCHORING CROSS SECTION  
SAME WITH FIN REMOVED

PROJECT # 419-0901

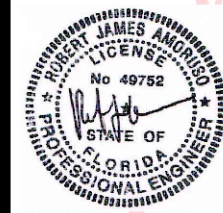
RENAISSANCE WINDOWS AND DOORS  
13340 INTERNATIONAL PARKWAY  
JACKSONVILLE, FL 32218

TITLE: SERIES 8500 VINYL XO-OX HORIZONTAL SLIDING WINDOW  
VERTICAL CROSS SECTIONS

DATE:	12/5/19
DRAWING NO.:	RWD0003
DRAWN BY:	RJA
SCALE:	N.T.S.
REV:	First Issue
SHEET:	6 OF 9

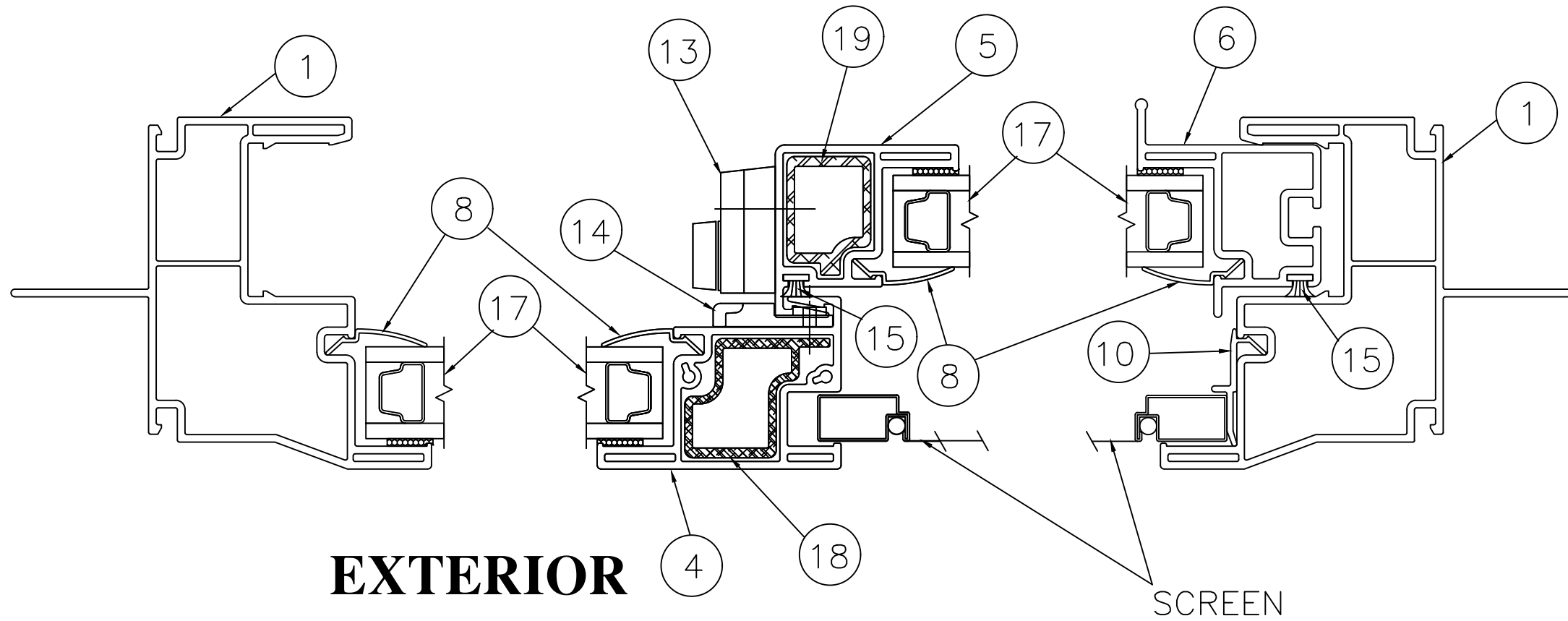
REV	DESCRIPTION	DATE	BY

Robert J. Amoruso, P.E.  
Florida P.E. No. 49752



Digitally signed by  
Robert J Amoruso  
Date:  
2019.12.05  
13:52:11  
-05'00'

**INTERIOR**



**EXTERIOR**

**C**  
**7**

**OX (SHOWN) AND XO (OPPOSITE)**  
**HORIZONTAL CROSS SECTION**  
FIN FRAME ANCHORING CROSS SECTION SHOWN  
THROUGH-FRAME ANCHORING CROSS SECTION  
SAME WITH FIN REMOVED

PROJECT # 419-0901

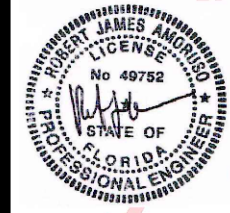
RENAISSANCE WINDOWS AND DOORS  
13340 INTERNATIONAL PARKWAY  
JACKSONVILLE, FL 32218

TITLE: SERIES 8500 VINYL XO-OX HORIZONTAL SLIDING WINDOW  
HORIZONTAL CROSS SECTION

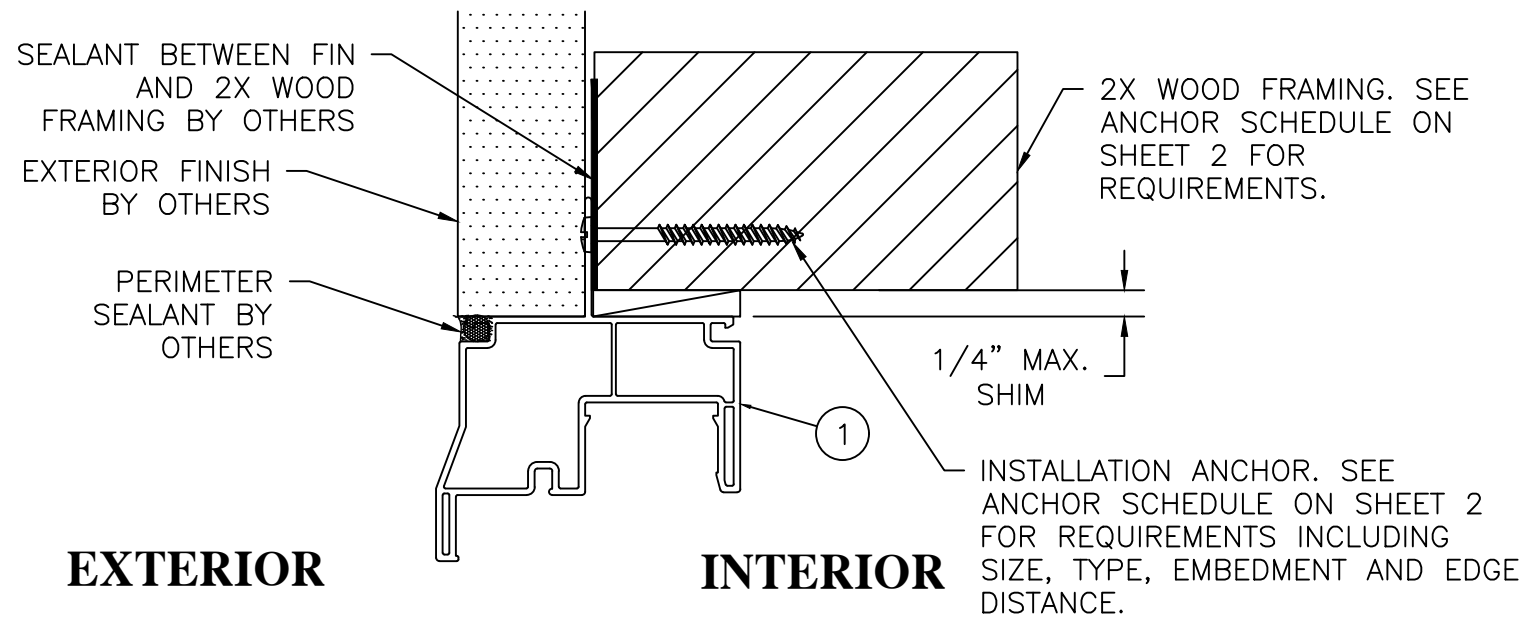
PREPARED BY: RJA  
SCALE: N.T.S.  
DATE: 12/5/19  
DRAWING NO: RWD0003  
SHEET: 7 OF 9  
REV: First Issue



Robert J. Amoruso, P.E.  
Florida P.E. No. 49752



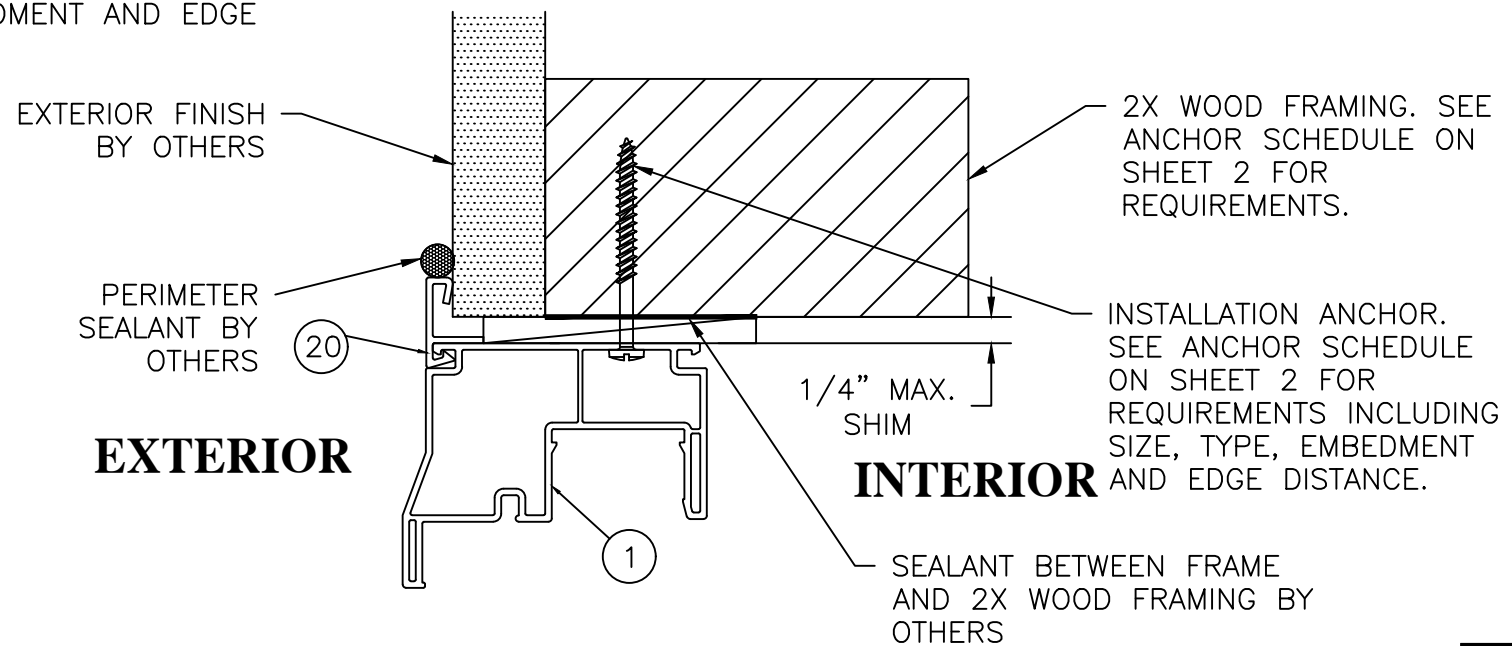
Digitally signed by  
Robert J Amoruso  
Date:  
2019.12.05  
13:52:11  
-05'00'



**EXTERIOR**

**INTERIOR**

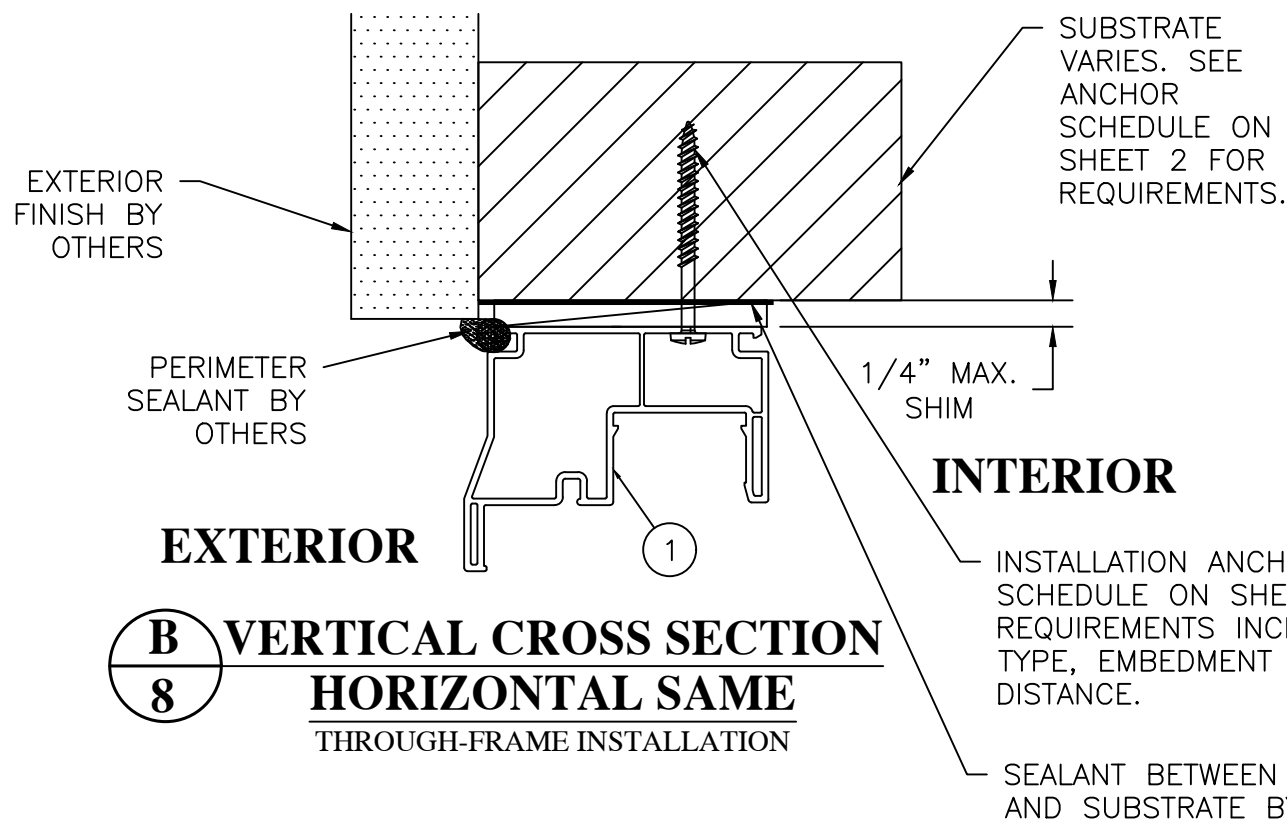
**A** **VERTICAL CROSS SECTION**  
**8** **HORIZONTAL SAME**  
NAILING FIN FRAME INSTALLATION



**EXTERIOR**

**INTERIOR**

**B** **VERTICAL CROSS SECTION**  
**8** **HORIZONTAL SAME**  
SNAP-ON FLANGE  
THROUGH-FRAME INSTALLATION



**EXTERIOR**

**INTERIOR**

**C** **VERTICAL CROSS SECTION**  
**8** **HORIZONTAL SAME**  
THROUGH-FRAME INSTALLATION

PROJECT # 419-0901

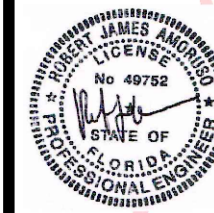
RENAISSANCE WINDOWS AND DOORS  
13340 INTERNATIONAL PARKWAY  
JACKSONVILLE, FL 32218

TITLE: SERIES 8500 VINYL XO-OX HORIZONTAL SLIDING WINDOW  
FIN FRAME & THROUGH FRAME ANCHORING CROSS SECTIONS

DATE:	12/15/19
DRAWING NO.:	RWD0003
SHEET:	8 OF 9
DRAWN BY:	RJA
SCALE:	N.T.S.
REV:	First Issue

PREPARED BY: **RFE**  
PFC PRODUCT DESIGN GROUP, LLC  
PO BOX 520775  
LONGWOOD, FL 32075  
PHONE: 321.690.1788  
FAX: 321.690.1789  
EMAIL: info@pfc-corp.com

Robert J. Amoruso, P.E.  
Florida P.E. No. 49752



Digitally signed by  
Robert J Amoruso  
Date:  
2019.12.05  
13:52:11  
-05'00'



