

RENAISSANCE WINDOWS AND DOORS

SERIES 9500 VINYL SLIDING GLASS DOOR - OXO, OXXO

THROUGH-FRAME INSTALLATION ANCHORAGE DETAILS

PROJECT # 419-0901							

RENAISSANCE WINDOWS AND DOORS
13340 INTERNATIONAL PARKWAY
JACKSONVILLE, FL 32218

SERIES 9500 VINYL SLIDING GLASS DOOR - OXO & OXXO
GENERAL NOTES, INSTALLATION NOTES & TABLE OF CONTENTS

DRAWN BY: RJA
SCALE: N.T.S.
REV: First Issue

DATE: 12/10/19
DRAWING NO: RWD0010
SHEET: 1 OF 9

PFC PRODUCT DESIGN GROUP, LLC
PO BOX 520775
LONGWOOD, FL 32075
PHONE: 321.690.1788
FAX: 321.690.1789
EMAIL: info@pfc-corp.com

GENERAL NOTES:

1. THIS PRODUCT HAS BEEN TESTED, EVALUATED AND DESIGNED TO THE DESIGN PRESSURE(S) STATED HEREIN IN ACCORDANCE WITH THE REQUIREMENTS OF THE CURRENT EDITION OF THE FLORIDA BUILDING CODE.
 - 1.1. PERFORMANCE STANDARDS USING IN TESTING:
 - 1.1.1. AAMA/WDMA/CSA 101/I.S.2/A440-08
 - 1.1.2. AAMA/WDMA/CSA 101/I.S.2/A440-11
2. THE PRODUCT DETAILS CONTAINED HEREIN ARE BASED UPON SIGNED AND SEALED TEST REPORT NO. C9930.19-550-14 (OXO) AND C9930.20-550-14 (OXXO) AND ASSOCIATED LABORATORY DRAWINGS BY INTERTEK/ARCHITECTURAL TESTING INC.
3. THIS PRODUCT EVALUATION DOCUMENT IS NOT FOR USE IN THE HIGH VELOCITY HURRICANE ZONE (HVHZ).
4. ADEQUACY OF THE EXISTING STRUCTURAL CONCRETE / MASONRY AND 2X FRAMING FRAMING SUBSTRATES AS A MAIN WIND FORCE RESISTING SYSTEM CAPABLE OF WITHSTANDING AND TRANSFERRING APPLIED PRODUCT LOADS TO THE FOUNDATION IS THE RESPONSIBILITY OF THE LICENSED PROFESSIONAL ENGINEER OR REGISTERED ARCHITECT ACTING AS THE DESIGN PROFESSIONAL OF RECORD FOR THE PROJECT OF INSTALLATION.
5. 1X AND 2X BUCKS (WHEN USED) SHALL BE DESIGNED AND ANCHORED TO PROPERLY TRANSFER ALL LOADS TO THE STRUCTURE. BUCK DESIGN AND INSTALLATION IS THE RESPONSIBILITY OF THE LICENSED PROFESSIONAL ENGINEER OR REGISTERED ARCHITECT ACTING AS THE DESIGN PROFESSIONAL OF RECORD FOR THE PROJECT OF INSTALLATION.
6. WHEN INSTALLED IN LOCATIONS WHERE WINDBORNE DEBRIS PROTECTION REQUIREMENTS EXIST, THIS PRODUCT REQUIRES OPENING PROTECTION IN ACCORDANCE WITH THE CURRENT EDITION OF THE FLORIDA BUILDING CODE USING AN APPROVED IMPACT PROTECTION DEVICE.
7. SITE CONDITIONS NOT COVERED IN THIS PRODUCT EVALUATION DOCUMENT ARE SUBJECT TO ADDITIONAL ENGINEERING ANALYSIS BY A LICENSED PROFESSIONAL ENGINEER OR REGISTERED ARCHITECT AS REQUIRED BY THE AUTHORITY HAVING JURISDICTION.
8. MATERIALS
 - 8.1. DOOR FRAME MATERIAL: VINYL (PVC).
 - 8.2. REINFORCEMENT EXTRUSIONS: 6063-T5 ALUMINUM.
9. GLASS MEETS THE REQUIREMENTS OF ASTM E1300-04E01.
10. DESIGNATION "O" STANDS FOR FIXED PANEL AND "X" STANDS FOR OPERABLE PANEL.
11. INTERIOR AND EXTERIOR FINISHING AND SEALING ARE FOR ILLUSTRATIVE PURPOSES ONLY. THESE DRAWINGS CERTIFY THE DOOR INSTALLATION ONLY. WATER PROOFING OF THE INSTALLED DOOR IS NOT PART OF THIS INSTALLATION CERTIFICATION. THAT RESPONSIBILITY SHALL BE THAT OF THE MANUFACTURER AND/OR THE INSTALLER.

INSTALLATION NOTES:

1. PRODUCT ANCHORS SHALL BE AS DESIGNATED AND LOCATED AS SHOWN IN THIS PRODUCT EVALUATION DOCUMENT. ANCHOR EMBEDMENT AND EDGE DISTANCE EXCLUDE WALL FINISHES, INCLUDING BUT NOT LIMITED TO STUCCO, FOAM, BRICK VENEER AND SIDING.
2. SEE INSTALLATION ANCHOR SCHEDULE ON SHEET 2 FOR TYPE AND GRADE OF ANCHOR, AND/OR MANUFACTURER'S ANCHOR SPECIFICATIONS, INCLUDING MINIMUM NOMINAL SIZE, MINIMUM EMBEDMENT INTO SUBSTRATE AND MINIMUM EDGE DISTANCES.
 - 2.1. EDGE DISTANCES SHALL BE MEASURED FROM CENTERLINE OF ANCHOR TO EDGE OF STRUCTURAL SUBSTRATE EITHER TO THE INTERIOR OR EXTERIOR OF THE FENESTRATION PRODUCT.
 - 2.2. MINIMUM EMBEDMENT SHALL BE BASED ON PENETRATION INTO MAIN WIND FORCE RESISTING SYSTEM SUBSTRATE.
3. SEE SHEETS 5 THROUGH 8 FOR SPECIFIC ANCHOR INSTALLATION DETAILS.
4. TWO (2) INSTALLATION ANCHORS ARE REQUIRED AT EACH ANCHOR LOCATION SHOWN ON SHEETS 3 AND 4.
5. ANCHOR QUANTITIES AND SPACING / EMBEDMENT AND EDGE DISTANCE
 - 5.1. THE NUMBER OF INSTALLATION ANCHORS IS BASED ON THE MAXIMUM END DISTANCE (ED) AND THE MAXIMUM ON CENTER (O.C.) SPACING PLACEMENT OF ANCHORS IN ACCORDANCE WITH ELEVATIONS ON SHEETS 3 AND 4.
 - 5.2. END DISTANCES AND O.C. SPACINGS LESS THAN THAT SHOWN IN THE ELEVATIONS ON SHEETS 3 AND 4 ARE ACCEPTABLE.
 - 5.3. FOR DOOR SIZES SMALLER THAN THOSE SHOWN, ANCHOR QUANTITIES CAN BE REDUCED WHILE MAINTAINING EDGE DISTANCE AND O.C. SPACING REQUIREMENTS.
 - 5.4. ANCHOR QUANTITIES AND SPACINGS SHOWN ARE BASED ON THE LOWER OF ANCHOR SPACING USED IN TESTING OR REQUIRED BY LOADING AT DESIGN PRESSURE.
 - 5.5. SEE EMBEDMENT AND EDGE DISTANCE DESCRIPTION ON SHEET 2.
6. MAXIMUM ALLOWABLE SHIM THICKNESS IS 1/4 INCH. SHIM WHERE SPACE OF 1/16 INCH OR GREATER OCCURS. SHIM(S) SHALL BE CONSTRUCTED OF WOOD COMPOSITE, HIGH DENSITY PLASTIC OR SIMILAR LOAD BEARING MATERIAL.
7. FOR CONCRETE BLOCK APPLICATIONS DO NOT INSTALL INSTALLATION ANCHORS INTO MORTAR JOINTS.
8. INSTALLATION ANCHORS SHALL BE INSTALLED IN ACCORDANCE WITH ANCHOR MANUFACTURER'S INSTALLATION INSTRUCTIONS AND ANCHORS SHALL NOT BE USED IN SUBSTRATES WITH STRENGTHS LESS THAN THE MINIMUM STRENGTH SPECIFIED IN THE INSTALLATION ANCHOR SCHEDULE ON SHEET 2.

PERFORMANCE RATING				
MAXIMUM DOOR SIZE	GLAZING DETAIL (SEE SHEET 9)	DESIGN PRESSURE (PSF)	SILL RISER REINFORCEMENT	IMPACT RATING
144" X 96" OXO	A	+/- 45	NOT REQUIRED	NONE. SEE GENERAL NOTE 6.
144" X 96" OXO	A	+/- 50	PER DETAIL A ON SHEET 6	
192" X 96" OXXO	A	+/- 45	NOT REQUIRED	
192" X 96" OXXO	A	+/- 50	PER DETAIL A ON SHEET 6	

TABLE OF CONTENTS	
SHEET	SHEET DESCRIPTION
1	GENERAL NOTES, INSTALLATION NOTES, TABLE OF CONTENTS
2	ANCHOR SCHEDULE - EMBEDMENT AND EDGE DISTANCE
3	144" X 96" OXO SGD ELEVATION & ANCHORING LAYOUT
4	196" X 96" OXXO SGD ELEVATION & ANCHORING LAYOUT
5	OXO AND OXXO VERTICAL CROSS SECTIONS
6	OXO VERTICAL CROSS SECTION AND GLAZING DETAIL
7	OXO HORIZONTAL CROSS SECTIONS
8	OXXO HORIZONTAL CROSS SECTIONS
9	BILL OR MATERIALS

Robert J. Amoruso, P.E.
Florida P.E. No. 49752

Digitally signed by Robert J Amoruso
Date: 2019.12.10 11:14:45 -05'00'

INSTALLATION ANCHOR SCHEDULE

INSTALLATION TYPE	SECTION VIEW	FASTENER HEAD TYPE	FASTENER SIZE	SUBSTRATE	MANUFACTURER AND/OR SPECIFICATION	MIN. EMBEDMENT (IN)	MIN. EDGE DISTANCE (IN)	MIN. SPACING (IN) BETWEEN FRAME ANCHORS (SEE NOTE 3)	ANCHOR CAPACITIES BASED ON	
THROUGH FRAME ANCHOR	SECTIONS A THRU G (SHEETS 5 TO 8)	HEX HEAD	3/16"	CONCRETE	ITW TAPCONS (1)	1	1-1/8	3	MIN. 2000 PSI CONCRETE	
				MASONRY (BLOCK/CMU)	ITW TAPCONS (1)	1	2	3	STRENGTH CONFORMANCE TO ASTM C-90, MEDIUM WEIGHT (DENSITY > 117 PCF)	
		PAN HEAD (SHOWN ON SHEETS 5 TO 8)	No. 10	WOOD	ANSI B18.6.1 (WOOD SCREW) (2) GRADE 2 EQUIVALENT (SHOWN ON SHEETS 5 TO 8)	ASME B18.6.4 (TAPPING SCREW) (2) GRADE 2 EQUIVALENT	1-3/8	3/4	2 1/2	WOOD WITH A MINIMUM SPECIFIC GRAVITY OF 0.42.

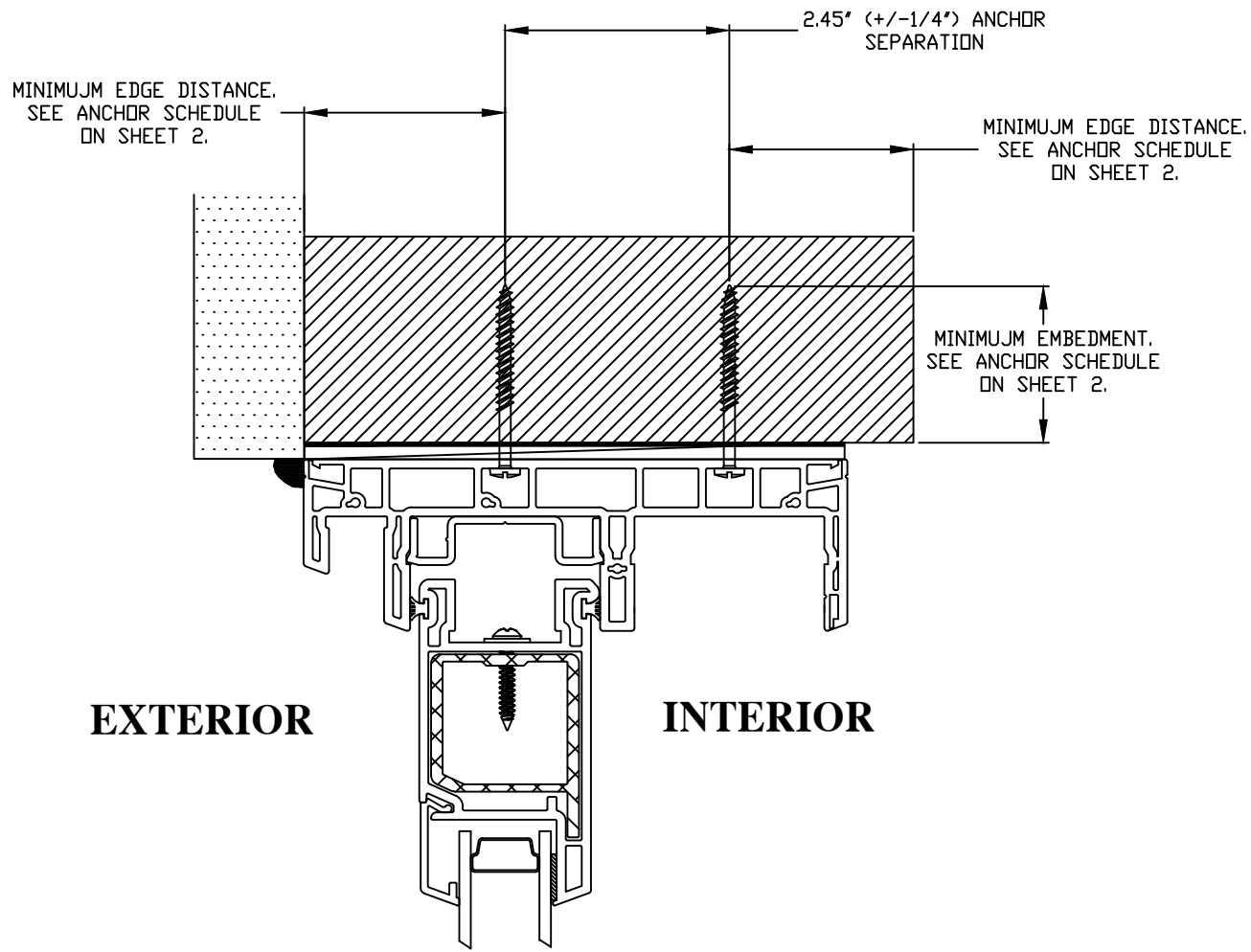
NOTES:

1) WHEN ITW TAPCONS ARE USED FOR CONCRETE/MASONRY INSTALLATION, THEY SHALL BE THE ADVANCED THREADFORM TECHNOLOGY TYPE.

2) FOR WOOD SCREW INSTALLATION INTO WOOD SUBSTRATE; IF SPLITTING IS A CONCERN, DRILL 0.112" PILOT HOLE (DRILL SIZE 34). FOR TAPPING SCREW INSTALLATION INTO WOOD SUBSTRATE; IF SPLITTING IS A CONCERN, DRILL 0.121" PILOT HOLE (DRILL SIZE 31).

3) TWO (2) ANCHORS PER LOCATION ALLOWED TO HAVE 2.45" SEPARATION. 3" SPACING IS BETWEEN ANCHOR LOCATIONS SHOWN IN ELEVATION.

**FRAME ANCHORAGE
MINIMUM EMBEDMENT
AND EDGE DISTANCE**
THROUGH-FRAME INSTALLATION
OPERABLE AND FIXED DOOR PANELS
(OPERABEL HEAD PANEL SHOWN)



PROJECT # 419-0901									

RENAISSANCE WINDOWS AND DOORS
13340 INTERNATIONAL PARKWAY
JACKSONVILLE, FL 32218

SERIES 9500 VINYL SLIDING GLASS DOOR - OXO & OXO
ANCHOR SCHEDULE - EMBEDMENT & EDGE DISTANCE

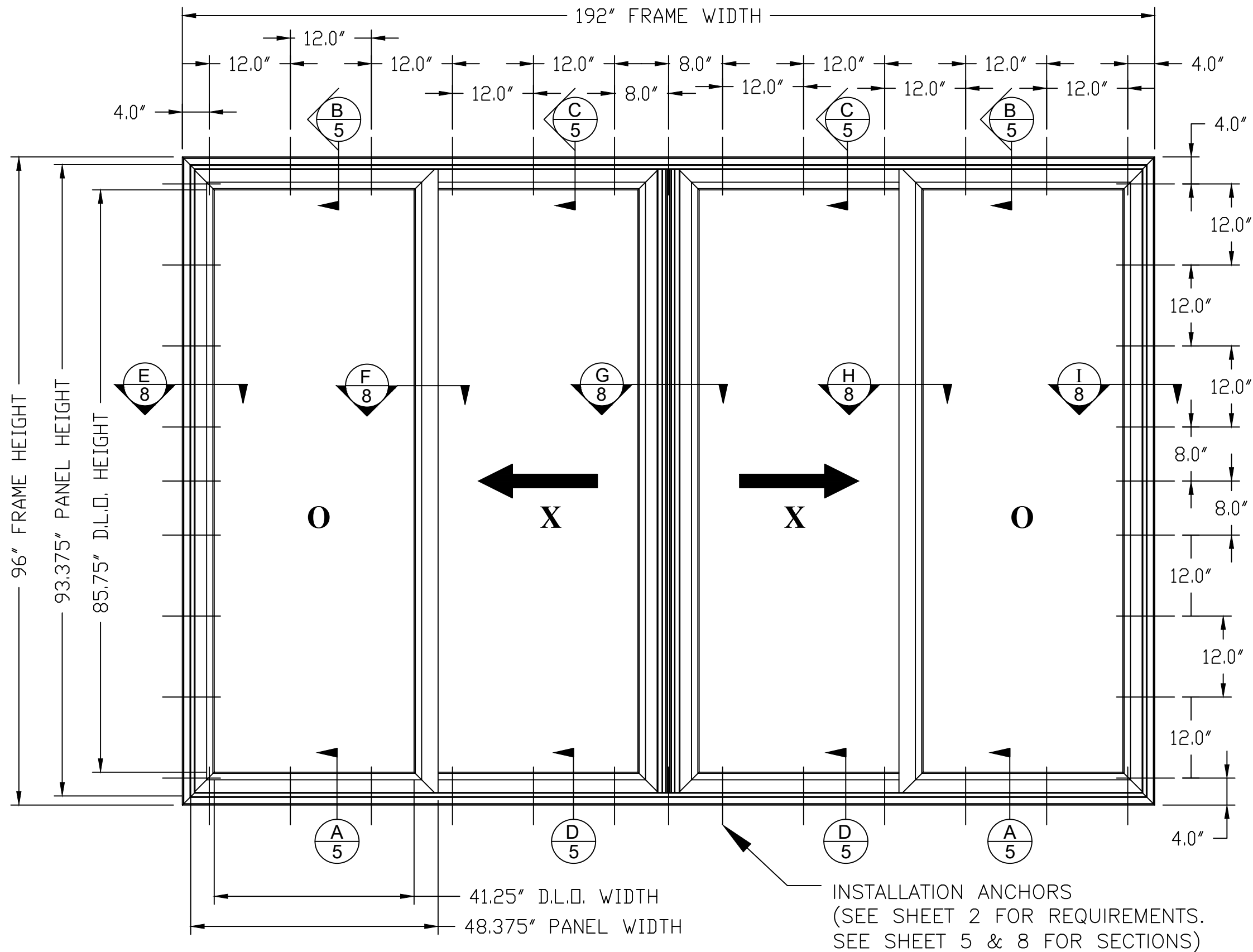
DATE: 12/10/19
DRAWING NO: RWD0010
SHEET: 2 OF 9

DRAWN BY: RJA
SCALE: N.T.S.
REV: First Issue

RWD
PTC PRODUCT DESIGN GROUP, LLC
PO BOX 520775
LONGWOOD, FL 32075
Phone: 321.690.1788
Fax: 321.690.1789
Email: info@ptc-corp.com
FBPE C.A. NO. 23935

Robert J. Amoruso, P.E.
Florida P.E. No. 49752

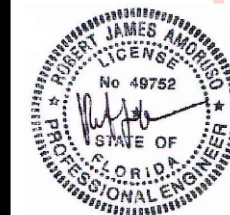
Digitally signed by Robert J Amoruso
Date: 2019.12.10 11:14:45 -05'00'



SERIES 9500 VINYL OXXO SLIDING GLASS DOOR
 EXTERIOR VIEW 192" X 96" NOMINAL SIZE SHOWN

INSTALLATION ANCHORS
 (SEE SHEET 2 FOR REQUIREMENTS.
 SEE SHEET 5 & 8 FOR SECTIONS)

Robert J. Amoruso, P.E.
 Florida P.E. No. 49752



Digitally signed by
 Robert J
 Amoruso
 Date:
 2019.12.10
 11:14:45
 -05'00'

RENAISSANCE WINDOWS AND DOORS
 13340 INTERNATIONAL PARKWAY
 JACKSONVILLE, FL 32218

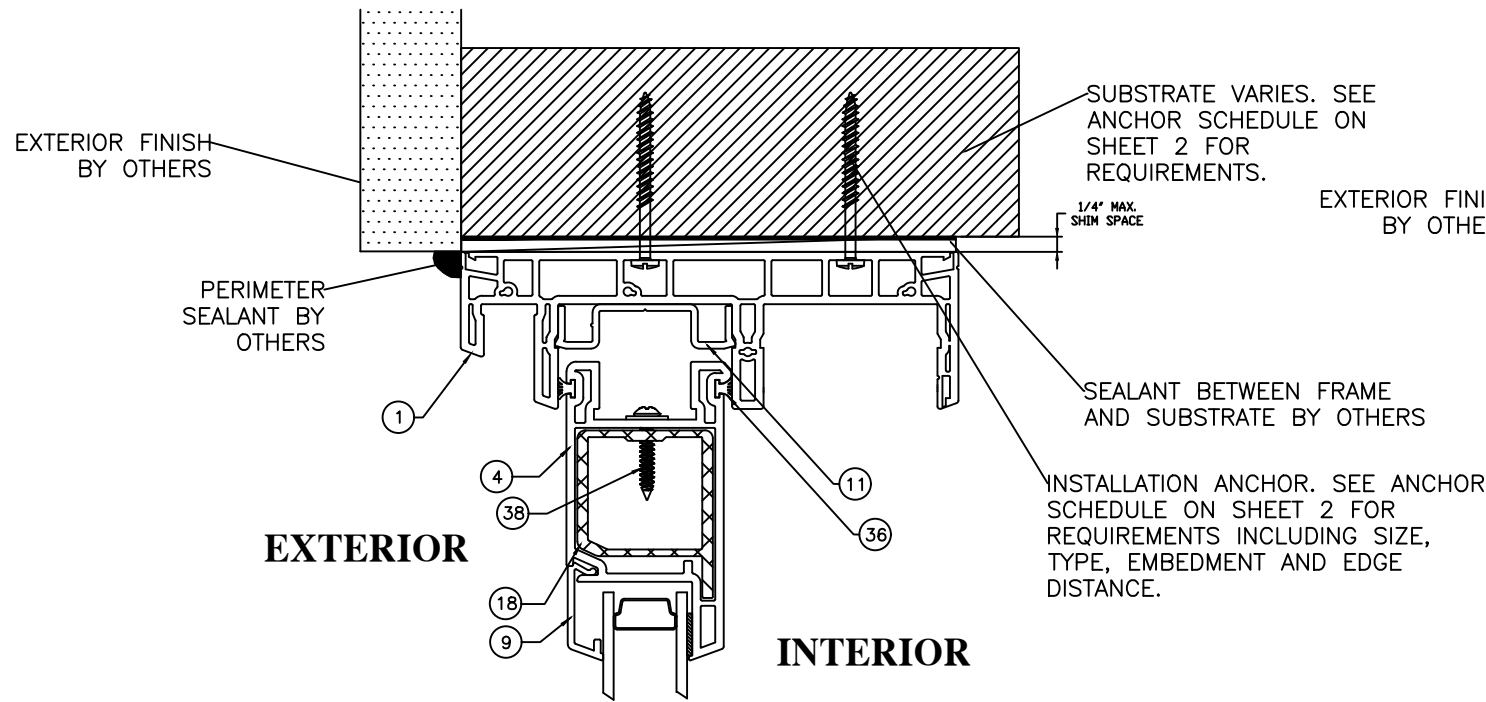
SERIES 9500 VINYL SLIDING GLASS DOOR - OXO & OXXO
 196" X 96" OXXO ELEVATION & ANCHORING LAYOUT

PREPARED BY:	DRAWN BY:	DATE:	REV:
	RJA	12/10/19	4 OF 9
	SCALE:	DRAWING NO.:	DESCRIPTION
	N.T.S.	RWD0010	
			REV
			DATE
			BY

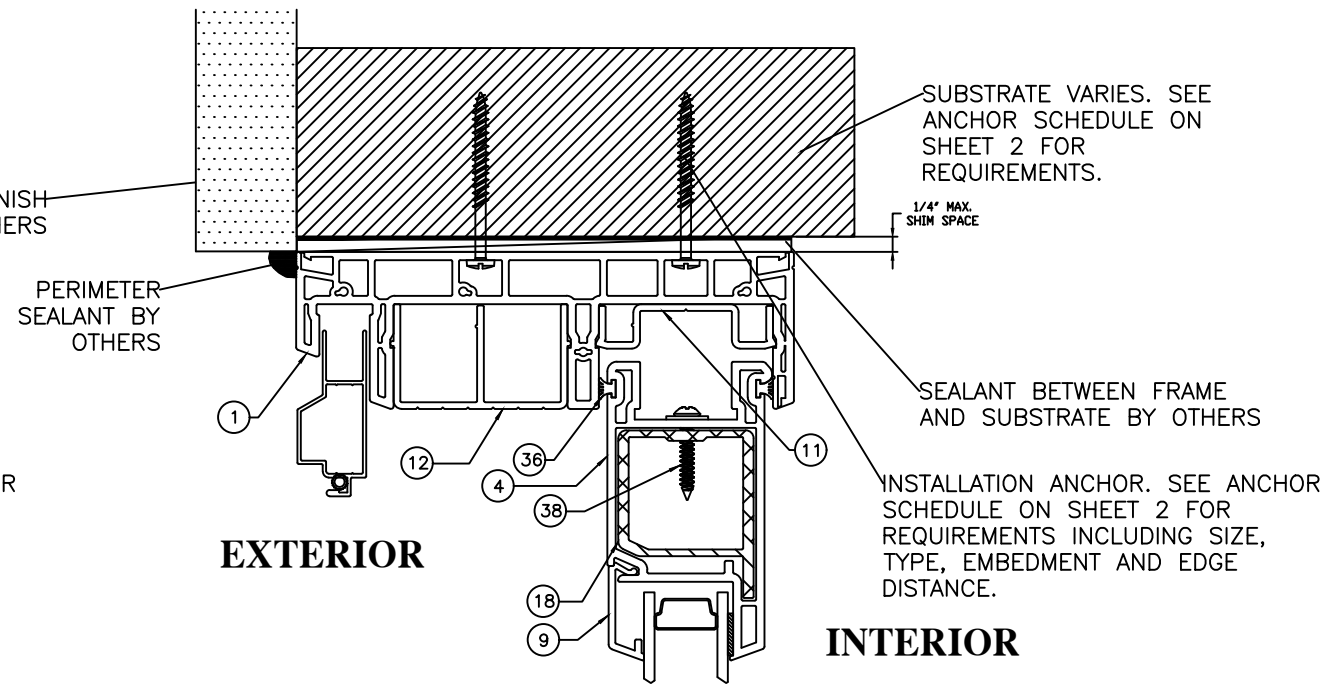
PROJECT # 419-0901

OXO AND OXO VERTICAL CROSS SECTIONS

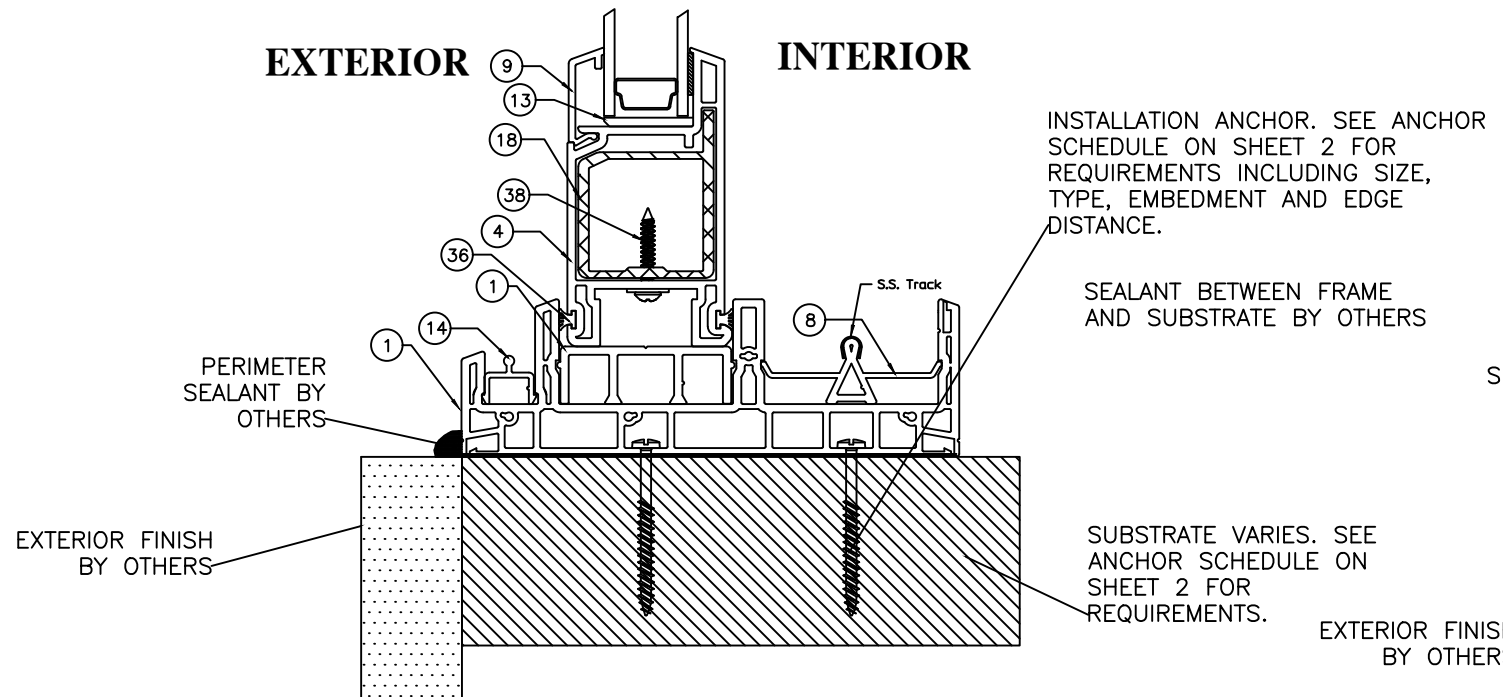
THROUGH-FRAME INSTALLATION



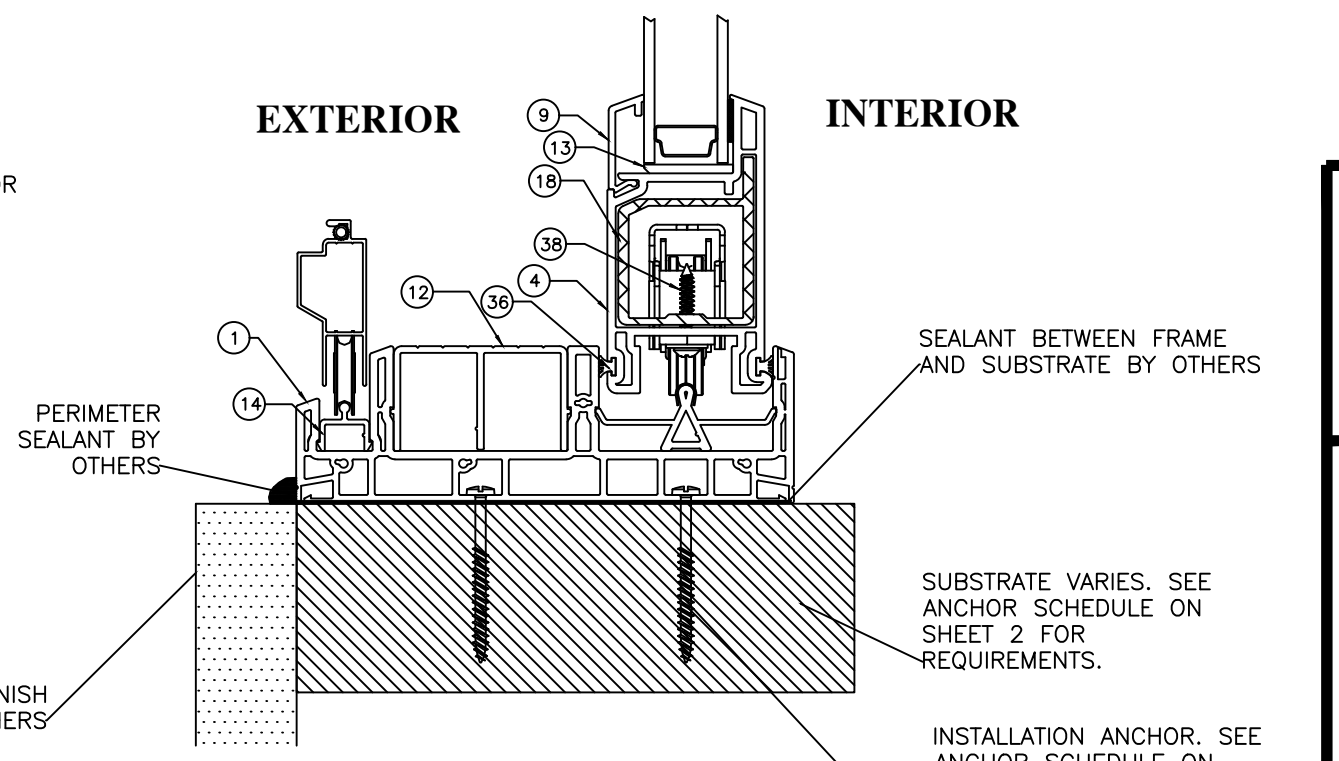
B
5
HEAD CROSS SECTION
THROUGH-FRAME INSTALLATION
FIXED DOOR PANEL



C
5
HEAD CROSS SECTION
THROUGH-FRAME INSTALLATION
OPERABLE DOOR PANEL



A
5
SILL CROSS SECTION
THROUGH-FRAME INSTALLATION
FIXED DOOR PANEL



D
5
SILL CROSS SECTION
THROUGH-FRAME INSTALLATION
OPERABLE DOOR PANEL

PROJECT # 419-0901					

RENAISSANCE WINDOWS AND DOORS 13340 INTERNATIONAL PARKWAY JACKSONVILLE, FL 32218	DATE:	12/10/19
	DRAWING NO.:	RWD0010
SERIES 9500 VINYL SLIDING GLASS DOOR - OXO & OXO OXO AND OXO VERTICAL CROSS SECTIONS	DRAWN BY:	RJA
	SCALE:	N.T.S.
	REV:	First Issue
	SHEET:	5 OF 9

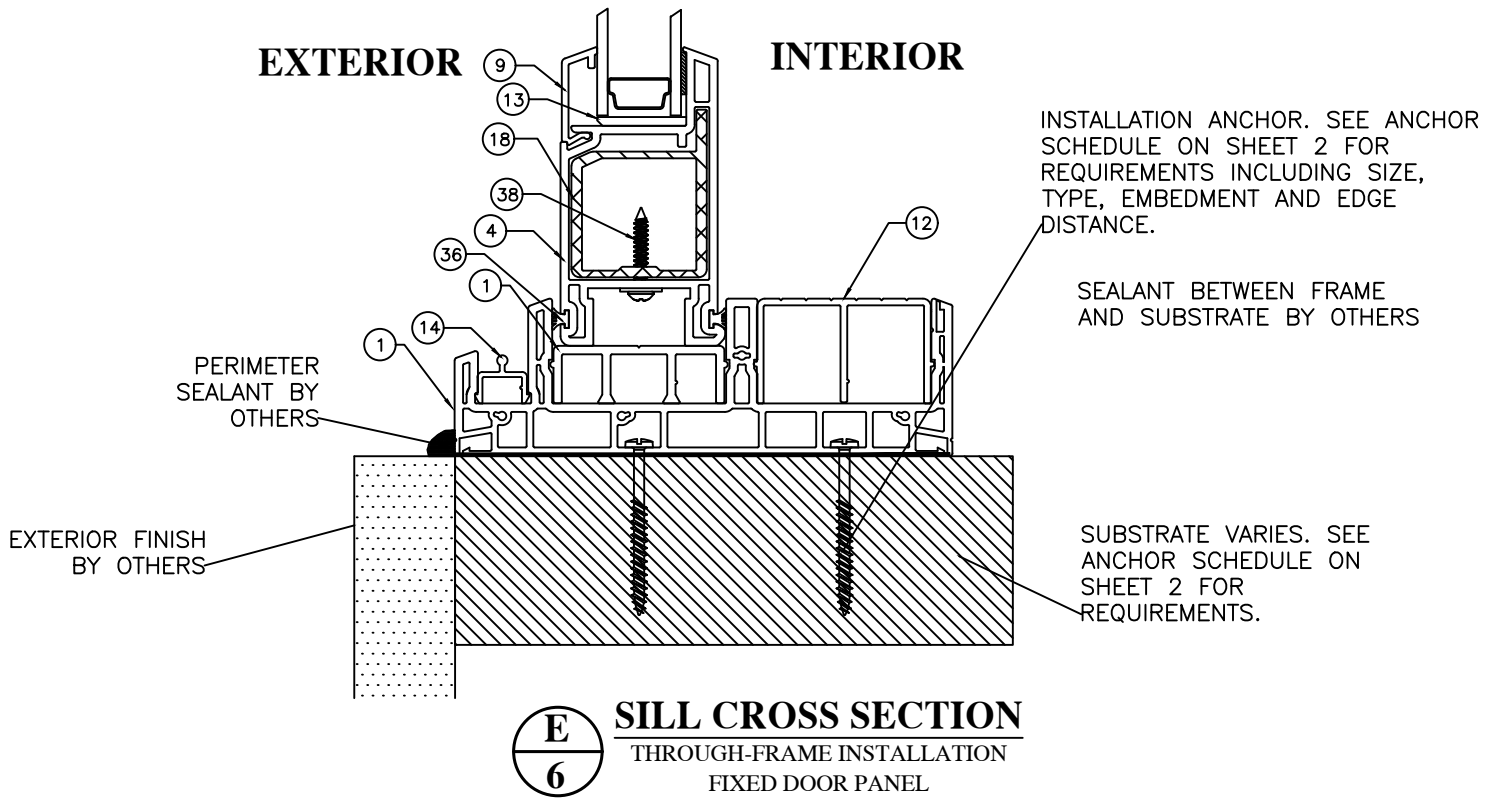
PFC
PFC PRODUCT DESIGN GROUP, LLC
PO BOX 520775
LONG BEACH, FLORIDA 33405
Phone: 321.690.1788
Fax: 321.690.1789
Email: info@pfc-corp.com

Robert J. Amoruso, P.E.
Florida P.E. No. 49752



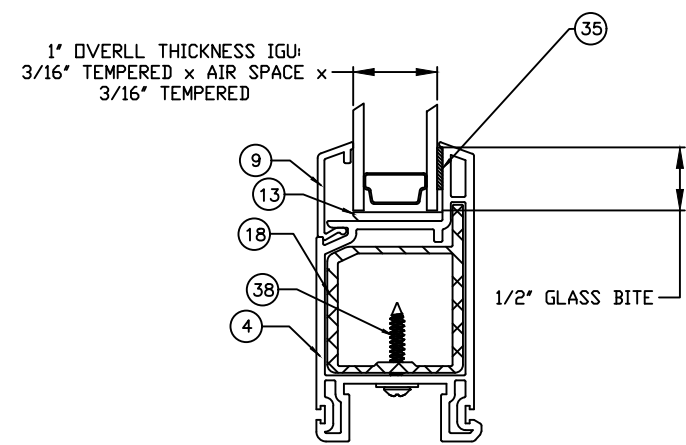
Digitally signed by
Robert J Amoruso
Date:
2019.12.10
11:14:45
-05'00'

OXO VERTICAL CROSS SECTION THROUGH-FRAME INSTALLATION



E
6
SILL CROSS SECTION
THROUGH-FRAME INSTALLATION
FIXED DOOR PANEL

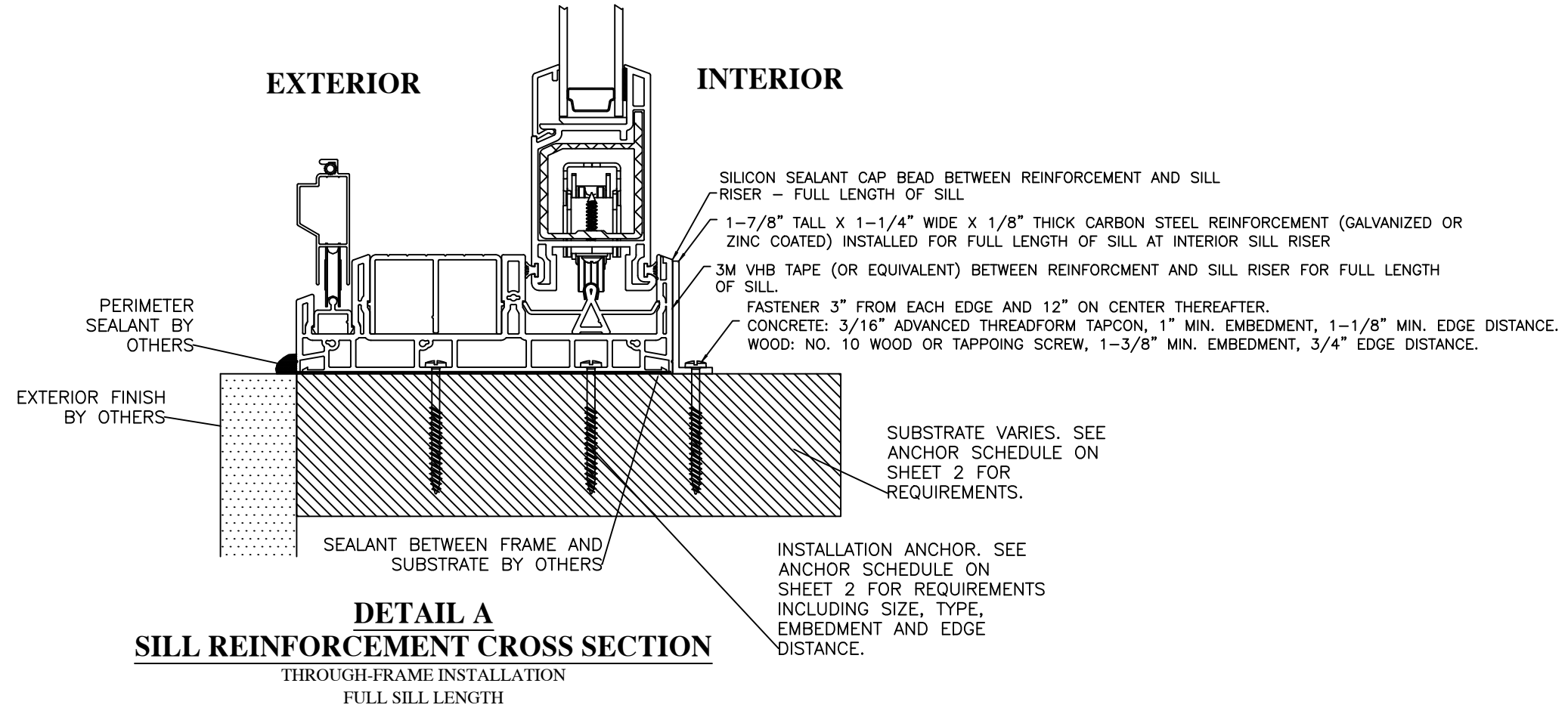
GLAZING DETAIL INSULATING GLASS UNIT



GLAZING DETAIL A

NOTES:

1. A MINIMUM OF TWO (2) NEOPRENE SETTING BLOCKS WITH 70 TO 90 SHORE A DUROMETER HARDNESS ARE REQUIRED AT BOTTOM (SILL) OF GLAZING LITES MORE THAN 3 FEET IN WIDTH.
2. FIXED PANEL RAIL SHOWN. ALL OTHER GLAZING DETAILS SAME FOR FIXED AND OPERABLE PANEL RAIL AND STILE GLAZING.



DETAIL A
SILL REINFORCEMENT CROSS SECTION
THROUGH-FRAME INSTALLATION
FULL SILL LENGTH

PROJECT # 419-0901					

RENAISSANCE WINDOWS AND DOORS 13340 INTERNATIONAL PARKWAY JACKSONVILLE, FL 32218	DATE:	12/10/19									
	DRAWING NO.:	RWD0010									
	SHEET:	6 OF 9									
PREPARED BY:	RJA	SCALE:	N.T.S.	REV:	First Issue						
PTC PTC PRODUCT DESIGN GROUP, LLC PO BOX 520775 LONGWOOD, FL 32075 FBPE, C.A. INC. 29355 Phone: 321.690.1788 Fax: 321.690.1789 Email: info@ptc-corp.com											
						PROJECT:	SERIES 9500 VINYL SLIDING GLASS DOOR - OXO & OXO OXO VERTICAL CROSS SECTION & GLAZING DETAIL				
						DESCRIPTION:					

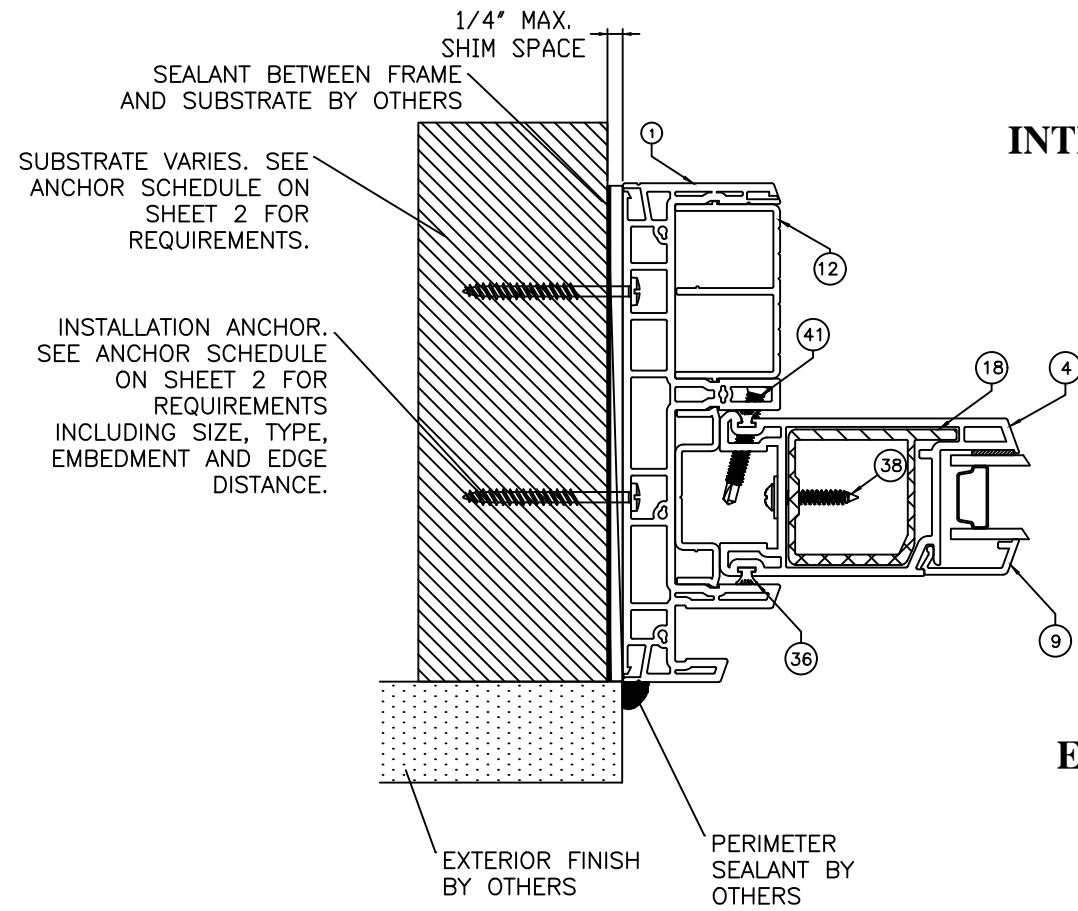
Robert J. Amoruso, P.E.
Florida P.E. No. 49752



Digitally signed by
Robert J Amoruso
Date:
2019.12.10
11:14:45
-05'00'

OXO HORIZONTAL CROSS SECTIONS

THROUGH-FRAME INSTALLATION

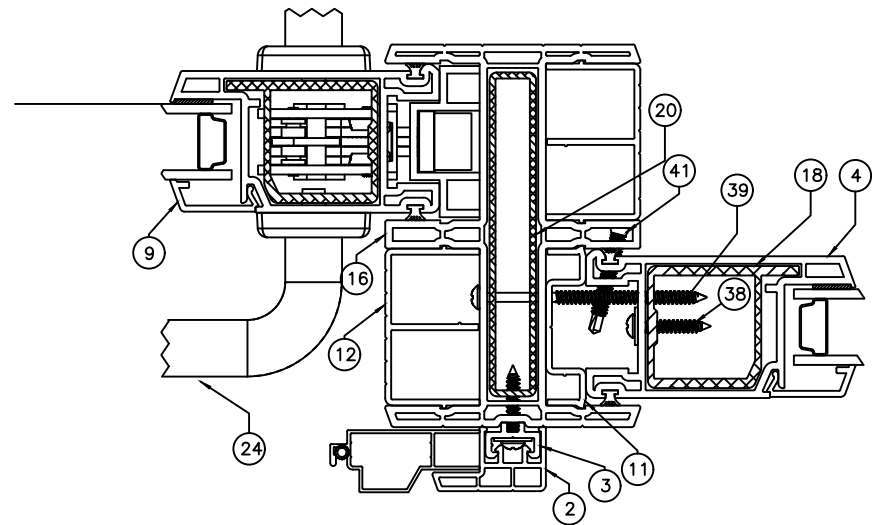


G
7

**INTERLOCK
CROSS SECTION**
THROUGH-FRAME INSTALLATION
FIXED/OPERABLE DOOR PANELS

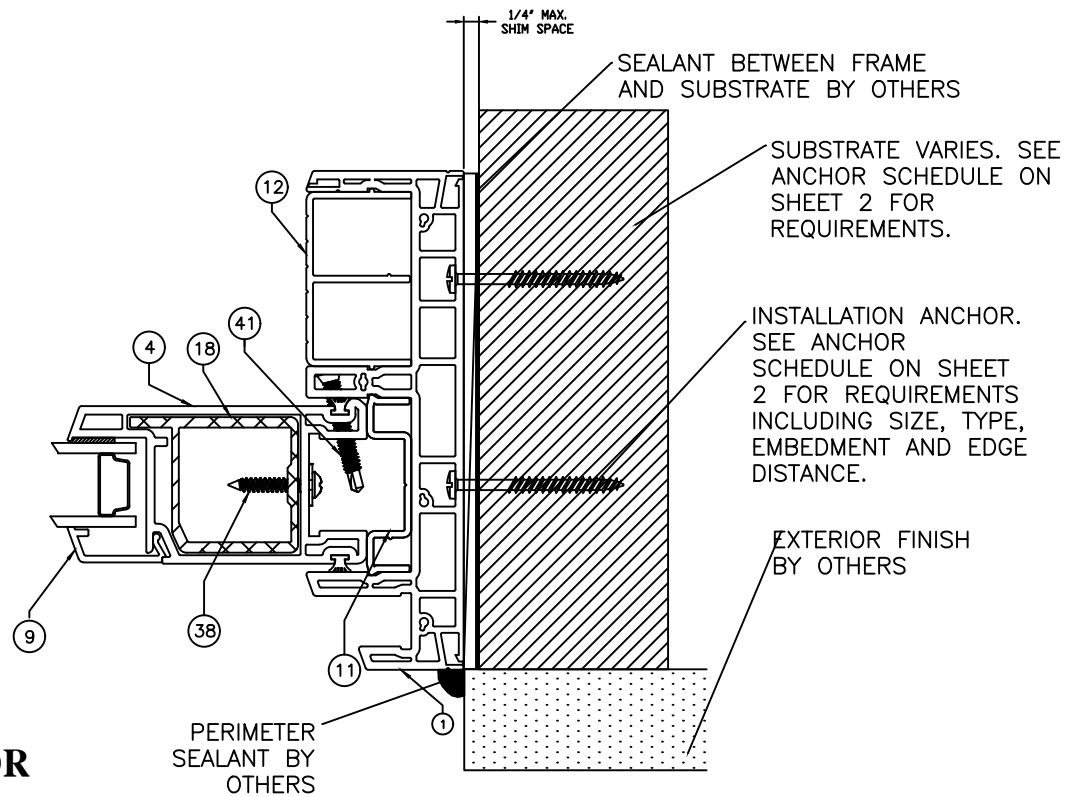
F
7

JAMB CROSS SECTION
THROUGH-FRAME INSTALLATION
FIXED DOOR PANEL



H
7

**OXO ADAPTER
CROSS SECTION**
THROUGH-FRAME INSTALLATION
OPERABLE/FIXED DOOR PANEL



I
7

JAMB CROSS SECTION
THROUGH-FRAME INSTALLATION
FIXED DOOR PANEL

PROJECT # 419-0901

RENAISSANCE WINDOWS AND DOORS
13340 INTERNATIONAL PARKWAY
JACKSONVILLE, FL 32218

SERIES 9500 VINYL SLIDING GLASS DOOR - OXO & OXO
OXO HORIZONTAL CROSS SECTIONS

DATE:	12/10/19
DRAWING NO.:	RWD0010
SCALE:	N.T.S.
DRAWN BY:	RJA
REV:	7 OF 9
DESCRIPTION:	First Issue
BY:	
DATE:	



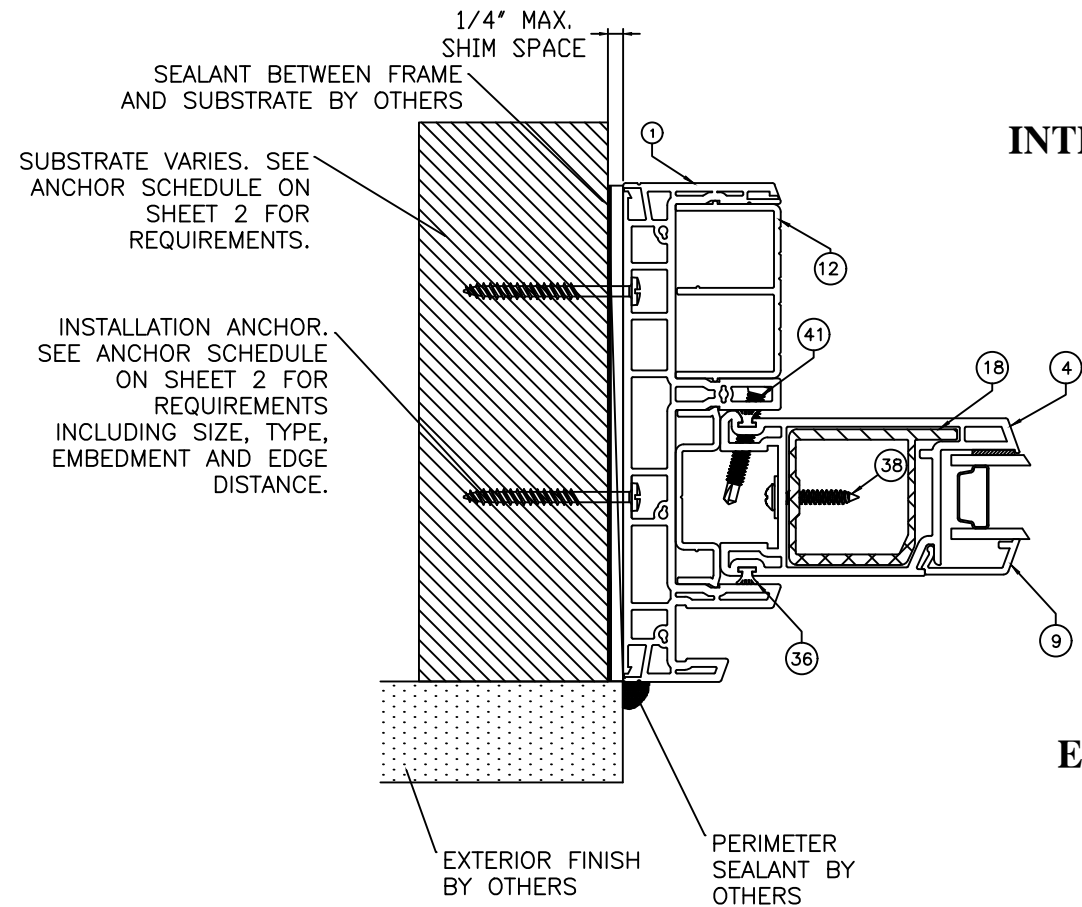
Robert J. Amoruso, P.E.
Florida P.E. No. 49752



Digitally signed by
Robert J
Amoruso
Date:
2019.12.10
11:14:45
-05'00'

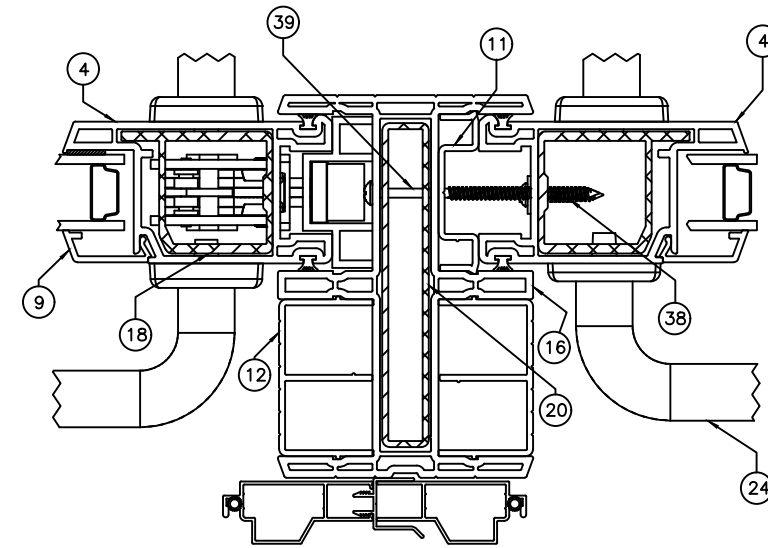
OXXO HORIZONTAL CROSS SECTIONS

THROUGH-FRAME INSTALLATION



F
8

INTERLOCK CROSS SECTION
THROUGH-FRAME INSTALLATION
FIXED/OPERABLE DOOR PANELS

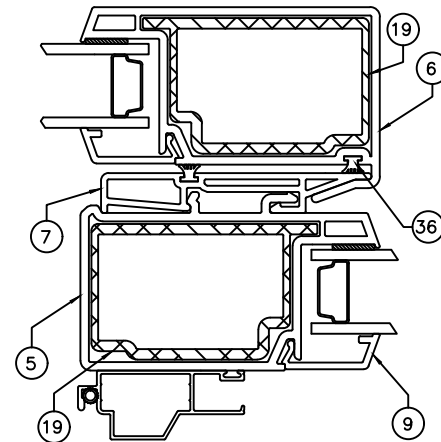


G
8

OXXO ADAPTER CROSS SECTION
THROUGH-FRAME INSTALLATION
OPERABLE DOOR PANEL

E
8

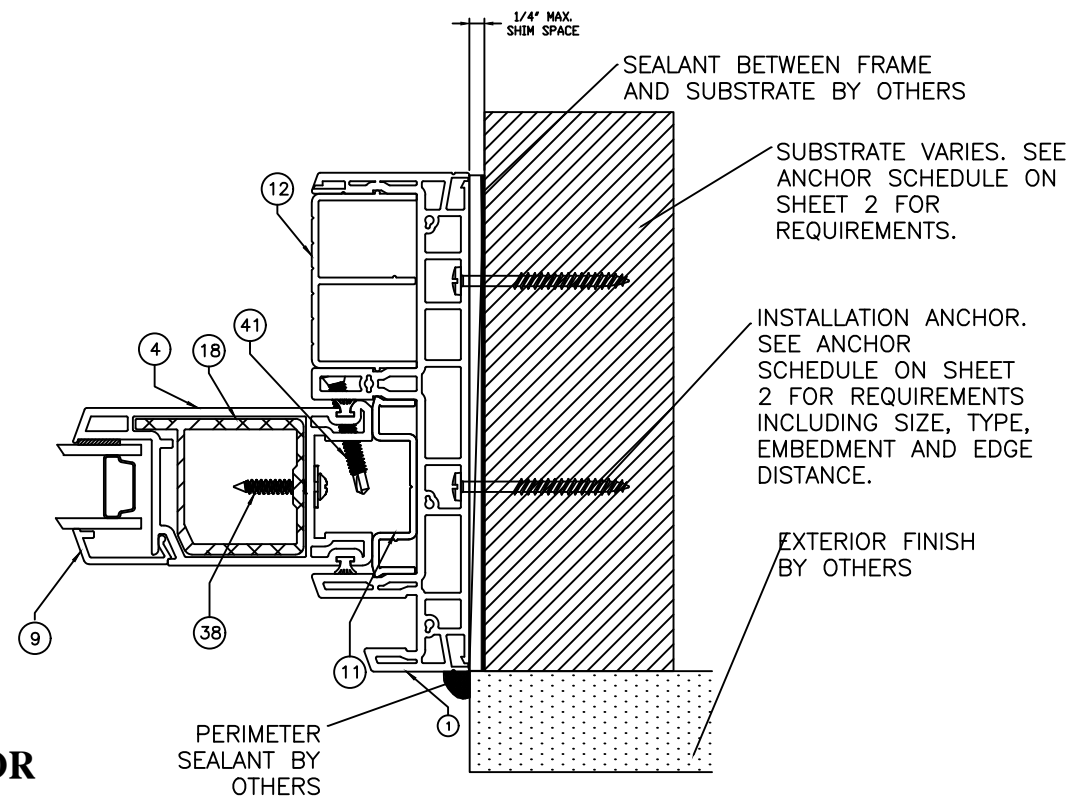
JAMB CROSS SECTION
THROUGH-FRAME INSTALLATION
FIXED DOOR PANEL



H
8

INTERLOCK CROSS SECTION
THROUGH-FRAME INSTALLATION
OPERABLE/FIXED DOOR PANELS

INTERIOR



I
8

JAMB CROSS SECTION
THROUGH-FRAME INSTALLATION
FIXED DOOR PANEL

EXTERIOR

PROJECT # 419-0901

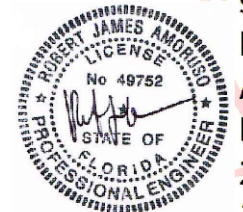
RENAISSANCE WINDOWS AND DOORS
13340 INTERNATIONAL PARKWAY
JACKSONVILLE, FL 32218

SERIES 9500 VINYL SLIDING GLASS DOOR - OXXO & OXXO
OXXO HORIZONTAL CROSS SECTIONS

DRAWN BY:	RJA	DATE:	12/10/19
SCALE:	N.T.S.	DRAWING NO.:	RWD0010
REV:	First Issue	SHEET:	6 OF 9



Robert J. Amoruso, P.E.
Florida P.E. No. 49752



Digitally signed by
Robert J Amoruso
Date:
2019.12.10
11:14:45
-05'00'

BILL OF MATERIALS

BOM NO.	PART NO.	PART DESCRIPTION	COMPANY	REMARKS
VINYL COMPONENTS				
1	8591	FRAME	MIKRON IND. INC.	
2	8036	BRACKET	MIKRON IND. INC.	
3	8037	SCREEN ADAPTOR	MIKRON IND. INC.	
4	7701	PANEL STILE/RAIL	MIKRON IND. INC.	
5	7702	FIXED INTERLOCK PANEL INTERLOCK	MIKRON IND. INC.	
6	7703	PANEL INTERLOCK	MIKRON IND. INC.	
7	7704	INTERLOCK	MIKRON IND. INC.	
8	7705	PANEL TRACK	MIKRON IND. INC.	
9	7706	GLAZING BEAD	MIKRON IND. INC.	
11	7708	ANTI-LIFT	MIKRON IND. INC.	
12	7709	THRESHOLD	MIKRON IND. INC.	
13	6152	SETTING BLOCK	MIKRON IND. INC.	
14	7556	SCREEN TRACK	MIKRON IND. INC.	
16	7964	OXO AND OXO ADAPTER	MIKRON IND. INC.	
REINFORCEMENT				
18	7701.1.1	REINFORCEMENT - ALUMINUM	ONTARIO EXTRUSIONS	6063-T5
19	7703.1	REINFORCEMENT - ALUMINUM	ONTARIO EXTRUSIONS	6063-T5
20	7964.1.1	REINFORCEMENT - ALUMINUM	ONTARIO EXTRUSIONS	6063-T5
COMMERCIAL DOOR HANDLE SET				
24	6635-1038-01	COMMERCIAL DOOR HANDLE SET COMPRISED OF THE FOLLOWING	AMESBURY	WHITE
25	1988-PRN166MRSS	ROLLER	AMESBURY	
26	6541-1061	SINGLE POINT LOCK	AMESBURY	COMMERCIAL
27	6991-10XX	FACE PLATE	AMESBURY	
28	6635-10XX	INSIDE HANDLE	AMESBURY	C SHAPE SOLID TUBE
29	6636-10XX	OUTSIDE HANDLE	AMESBURY	C SHAPE SOLID TUBE
30	6000-074-01KD1	CYLINDER - MORTISE	AMESBURY	.800 CAM
31	6000-082-01	THUMBTURN - MORTISE	AMESBURY	.800 CAM
32	6990-10XX	STRIKE - COMMERCIAL	AMESBURY	COLLAPSIBLE
33		SCREW PACKAGE	AMESBURY	
GLAZING				
34		1" OVERLL THICKNESS IGU: 3/16" TEMPERED x AIR SPACE x 3/16" TEMPERED		
35		WET GLAZING COMPOUND		SILICONE
MISC.				
36		QUIET FIN WEATHERSTRIP	AMESBURY	.270 High x .187 Back
38	#8 X 1"	WASHER HEAD TEK SCREW - PHILLIPS		
39	#8 X 3"	PAN HEAD SCREW		
41	#10 X 1-1/2"	FLAT HEAD SCREW		
OPTIONAL LOCK & HANDLE SET - NOT SHOWN				
42	191014	SBML 2 POINT MORTICE LOCK	INTERLOCK	
43	PS01-0031	MOUNTING PLATE ASSEMBLY	INTERLOCK	
44	PS01-3035	EXTENDED PINION GEAR	INTERLOCK	
45	PS01-0030	INTUITION HANDLE ASSEMBLY	INTERLOCK	
46	PS01-3040	EXTERIOR PULL	INTERLOCK	
47	PS01-5030	M4 X 26 CSK FLAT TT	INTERLOCK	NEED 2
48	PS01-5014	SCREW M4X50 CSK POZI TT	INTERLOCK	NEED 2
49	PS01-0060	21 MM ADJUSTABLE STRIKE	INTERLOCK	

PROJECT # 419-0901

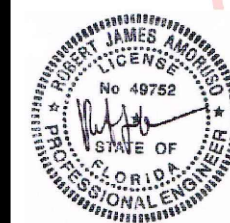
RENAISSANCE WINDOWS AND DOORS
13340 INTERNATIONAL PARKWAY
JACKSONVILLE, FL 32218

SERIES 9500 VINYL SLIDING GLASS DOOR - OXO & OXO
BILL OF MATERIALS

DATE:	12/10/19
DRAWING NO:	RWD0010
DRAWN BY:	RJA
SCALE:	N.T.S.
REV:	First Issue
SHEET:	9 OF 9



Robert J. Amoruso, P.E.
Florida P.E. No. 49752



Digitally signed by
Robert J Amoruso
Date:
2019.12.10
11:14:45
-05'00'