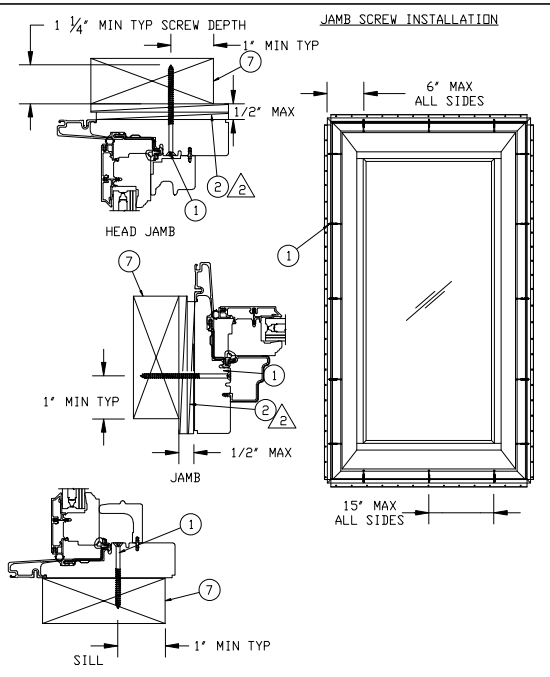


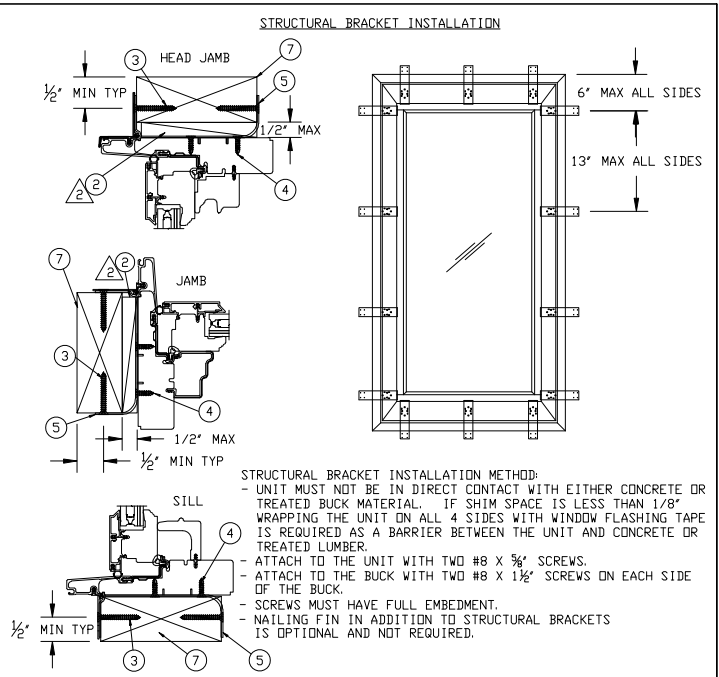
ALUMINUM NAILING FIN INSTALLATION METHOD:

- UNIT MUST NOT BE IN DIRECT CONTACT WITH EITHER CONCRETE OR TREATED BUCK MATERIAL. IF SHIM SPACE IS LESS THAN 1/8" WRAPPING THE UNIT ON ALL 4 SIDES WITH WINDOW FLASHING TAPE IS REQUIRED AS A BARRIER BETWEEN THE UNIT AND CONCRETE OR TREATED LUMBER.
- #8 X 1 1/4" PAN HEAD OR WAFER HEAD SCREWS MAY BE SUBSTITUTED FOR 2" ROOFING NAILS.



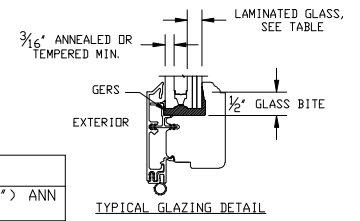
JAMB SCREW INSTALLATION METHOD:

- UNIT MUST NOT BE IN DIRECT CONTACT WITH EITHER CONCRETE OR TREATED BUCK MATERIAL. IF SHIM SPACE IS LESS THAN 1/8" WRAPPING THE UNIT ON ALL 4 SIDES WITH WINDOW FLASHING TAPE IS REQUIRED AS A BARRIER BETWEEN THE UNIT AND CONCRETE OR TREATED LUMBER.
- SHIM AT EACH SCREW LOCATION.
- NAILING FIN IN ADDITION JAMB SCREWS IS OPTIONAL AND NOT REQUIRED.



STRUCTURAL BRACKET INSTALLATION METHOD:

- UNIT MUST NOT BE IN DIRECT CONTACT WITH EITHER CONCRETE OR TREATED BUCK MATERIAL. IF SHIM SPACE IS LESS THAN 1/8" WRAPPING THE UNIT ON ALL 4 SIDES WITH WINDOW FLASHING TAPE IS REQUIRED AS A BARRIER BETWEEN THE UNIT AND CONCRETE OR TREATED LUMBER.
- ATTACH TO THE UNIT WITH TWO #8 X 3/8" SCREWS.
- ATTACH TO THE BUCK WITH TWO #8 X 1 1/2" SCREWS ON EACH SIDE OF THE BUCK.
- SCREWS MUST HAVE FULL EMBEDMENT.
- NAILING FIN IN ADDITION TO STRUCTURAL BRACKETS IS OPTIONAL AND NOT REQUIRED.



TYPE	LAMINATED GLASS MAKE UP
A	3.0mm(.122") ANN+ .090KURARAY PVB+ 3.0mm(.122") ANN
B	2.7mm(.11") ANN+ .090KURARAY SGP+ 2.7mm(.11") ANN

UNIT	MAX FRAME SIZE	DP RATING	GLASS OPTION
UL CSMNT IZ3	36 x 83 1/8	+65/-65	TYPE A
UL CSMNT STAT IZ3	36 x 83 1/8	+65/-65	TYPE A
UL CSMNT IZ3	36 x 96 1/8	+65/-65	TYPE B

UNSPECIFIED TOLERANCES

DECIMALS:	ANGLE DEG:
XX ± .03	± .5
XXX ± .012	

MARVIN RESEARCH & DEVELOPMENT

PRODUCT CATEGORY: ULTIMATE CASEMENT

UNIT TYPE: UCAIZ3

DWG TYPE: INSTALLATION

DESCRIPTION: INSTALLATION

CHK:	SIZE: B	CLASS: MISC	DWG NO: 00065788
APP:	SCALE: NA	DATE: 10/20/09	DWG BY: BORNEMAN, SKIP

NOTES FOR ALL METHODS:

- THIS PRINT IS FOR STRUCTURAL PERFORMANCE ONLY. FOR FLASHING & SEALING INSTRUCTIONS, REFER TO THE INSTALLATION INSTRUCTIONS.
- SHIMS
-PLACE A SHIM WITHIN 4-6 INCHES OF EACH CORNER AND SPACE ALL OTHERS EVENLY A MAXIMUM OF 15" APART.
- IF CHEMICALLY TREATED LUMBER IS USED FOR BUCK MATERIAL, FASTENERS INTO THE BUCK MUST BE A MINIMUM OF 0.90 OZ/FT² ZINC HOT DIPPED GALVANIZED OR STAINLESS STEEL TYPE 304 OR 316.
- RECTANGULAR UNIT SHOWN, SHAPED UNITS ALSO APPLY.

NOTICE - CONFIDENTIAL INFORMATION

The information in this document is privileged and strictly confidential. The information contained herein shall be used only by Marvin Windows and Doors employees and by those agents or suppliers granted official written permission. If the reader of this document is not the intended recipient, or the employee or agent of the intended recipient, please delete this document from all data storage devices, and destroy all hard copies. Any unauthorized dissemination, distribution, copying or other use of the information contained in this document is strictly prohibited.