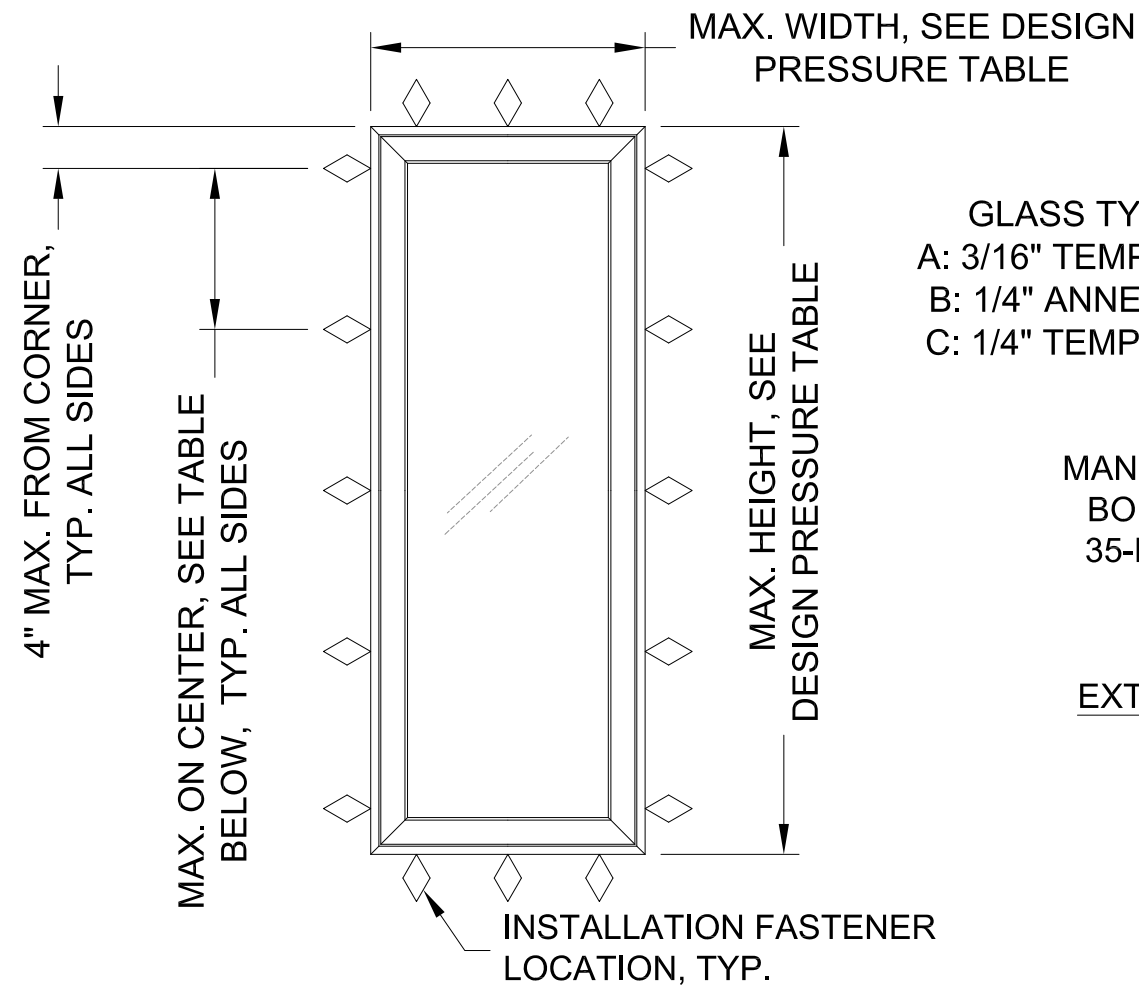


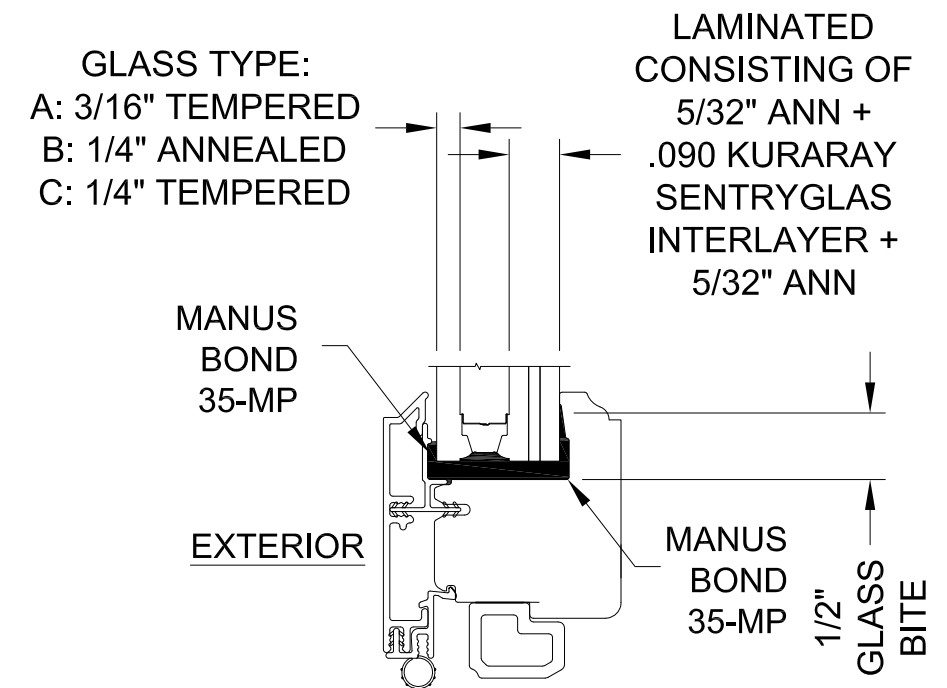
GENERAL NOTES

1. THE PRODUCT SHOWN HEREIN IS DESIGNED AND MANUFACTURED TO COMPLY WITH THE REQUIREMENTS OF THE 8TH EDITION (2023) FLORIDA BUILDING CODE FOR USE OUTSIDE THE HIGH VELOCITY HURRICANE ZONE
2. THIS DOCUMENT ADDRESSES ONLY PRODUCT ANCHORAGE TO ACHIEVE THE INDICATED DESIGN PRESSURES AT THE INDICATED SIZES, IN THE CONFIGURATIONS INDICATED. INSTALL PRODUCTS WITH MAXIMUM SHIM GAP, MINIMUM EDGE DISTANCE AND EMBEDMENT, AND WITH FASTENER TYPE AS SHOWN IN THE DETAILS AND AS INDICATED IN TABLE 1. FOR FULL PRODUCT CONSTRUCTION DETAILS SEE ATI/INTERTEK TEST REPORTS P0407.01/02-201-47, AND P0409.01/02-201-47
3. THIS PRODUCT AS SHOWN IN THIS DRAWING IS WIND ZONE 3 MISSILE LEVEL D LARGE MISSILE IMPACT RESISTANT, AND DOES NOT REQUIRE THE USE OF IMPACT PROTECTIVE DEVICES (SHUTTERS) IN WIND ZONE 3 AND BELOW WINDBORNE DEBRIS REGIONS.
4. GLAZING AS INDICATED IS COMPLIANT WITH ASTM E-1300.
5. THE 4/3 ALLOWABLE STRESS INCREASE FACTOR (SHORT-TERM INCREASE FACTOR) HAS NOT BEEN USED IN THE ANCHOR ANALYSIS FOR THIS SYSTEM. THE 1.6 Cd FACTOR WAS USED IN THE ANALYSIS OF ANCHORAGE INTO WOOD SUBSTRATE.
6. THE OPENING SUBSTRATE MATERIALS (FRAMING, MASONRY, BUCKS) AND ATTACHMENT OF BUCKS TO THE SUBSTRATE ARE BY OTHERS AND SHALL BE VERIFIED BY THE ARCHITECT OR ENGINEER OF RECORD OR AS APPROVED BY THE AUTHORITY HAVING JURISDICTION (AHJ). BUCKING, OPENINGS, & BUCKING FASTENERS MUST BE PROPERLY DESIGNED & INSTALLED BY OTHERS IN ACCORDANCE WITH THE FBC TO TRANSFER SUPERIMPOSED LOADS TO THE STRUCTURE. WITH MASONRY OPENINGS, WOOD BUCKS ARE OPTIONAL.
7. DISSIMILAR MATERIALS THAT COME INTO CONTACT SHALL BE COATED OR OTHERWISE PROTECTED TO PREVENT GALVANIC REACTIONS. WOOD BUCKS, IF USED, SHALL BE PRESSURE TREATED, WITH EITHER A TREATMENT OR COATING COMPATIBLE WITH THIS PRODUCT.
8. JAMB SCREW ANCHORAGE NOTES: ALL ANCHORS USED SHALL BE OF A MATERIAL OR HAVE A COATING COMPATIBLE WITH THE PRESSURE TREATED WOOD BUCKS AND ALL OTHER WINDOW MATERIALS. INSTALL ONE ANCHOR AT EACH LOCATION SHOWN IN THE ELEVATION ON THIS SHEET. INSTALL SHIMS AT EACH ANCHOR LOCATION WHERE A GAP OF 1/16" OR GREATER EXISTS BETWEEN PRODUCT FRAME AND SUBSTRATE. SHIMS SHALL BE LOAD-BEARING (PLASTIC OR METALLIC) AND CAPABLE OF TRANSFERRING LOADS TO SUBSTRATE. SPECIFIED ANCHOR EMBEDMENT TO SUBSTRATE SHALL BE BEYOND WALL FINISH OR STUCCO. ENSURE 4" MINIMUM SPACING BETWEEN ANY TWO INSTALLATION FASTENERS.
9. WOOD BUCKS LESS THAN 1-1/2" THICK ARE OPTIONAL AND MAY BE USED WITH CONCRETE/CMU, WITH ANCHOR EMBEDMENT BEYOND WOOD BUCKS AND INTO MASONRY.
10. ALL HARDWARE & FASTENERS SHALL BE IN ACCORDANCE WITH THESE DRAWINGS, OR AS APPROVED, SIGNED, AND SEALED BY A FLORIDA-REGISTERED PROFESSIONAL ENGINEER ON A SITE-SPECIFIC BASIS.
11. SEALING AND FLASHING STRATEGIES FOR OVERALL WATER INFILTRATION RESISTANCE OF THE INSTALLED PRODUCT SHALL BE THE RESPONSIBILITY OF OTHERS AND ARE NOT ADDRESSED BY THIS DOCUMENT.

**ULTIMATE CASEMENT PICTURE IZ3 /
ULTIMATE CASEMENT PUSH OUT PICTURE IZ3**



**ELEVATION
SEE DETAILS SHEETS 2**



**TYPICAL GLAZING
DETAIL**

DESIGN PRESSURE TABLE

CONFIGURATION	MAX. SIZE	DESIGN PRESSURE RATING	JAMB SCREW SPACING
UCAP / UCAPOP	60" X 104-11/16"	+/-60 PSF (GLASS TYPE C REQUIRED)	11-1/2"
UCAP / UCAPOP	72" X 76-1/2"	+/-65 PSF (GLASS A, B, OR C)	9-1/2"

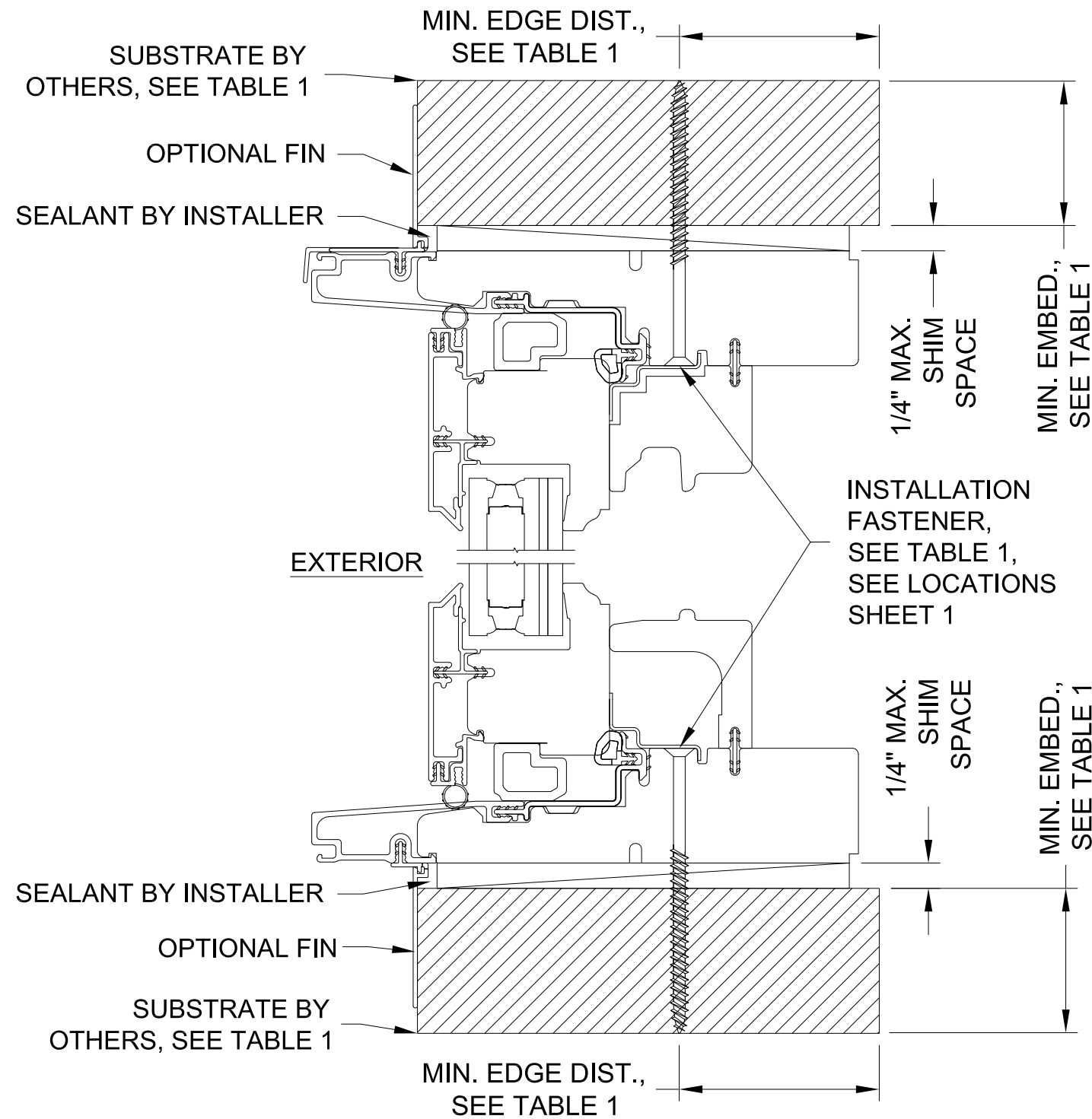
MARVIN  WARROAD, MN U.S.A.
PH. (218) 386-4021

SHEET DESCRIPTION: NOTES, ELEVATION	DATE DRAWN: 1/21/2020
SCALE: NTS	REV: A
DRAWING: Install-UCAP-IZ3 FL31327	SHEET: 1 OF 2

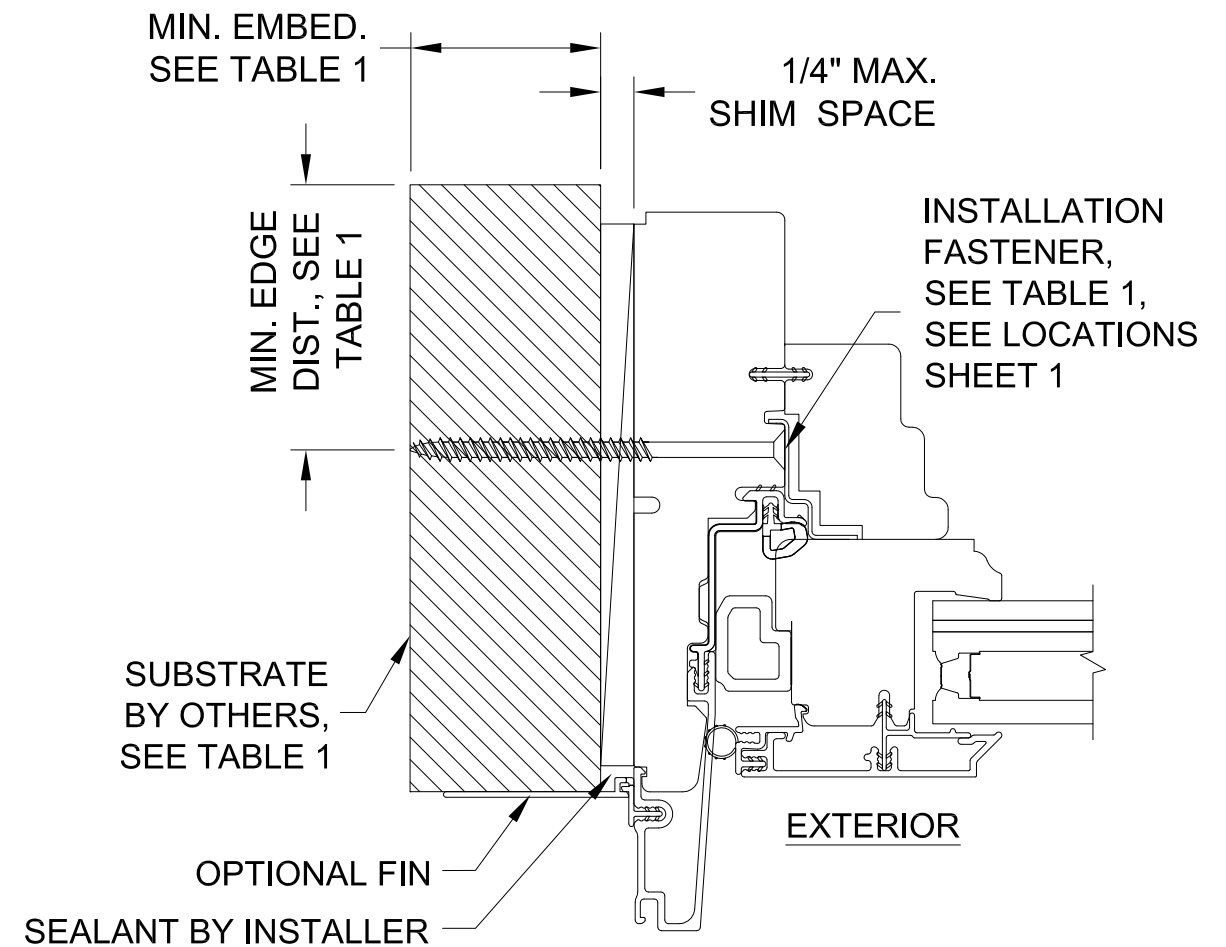


1/25/2024
Lucas A. Turner, P.E.
FL PE #58201
2428 Old Natchez Trc Trl
Camden, TN 38320
Ph. 941-380-1574

ULTIMATE CASEMENT PICTURE IZ3 / ULTIMATE CASEMENT PUSH OUT PICTURE IZ3



TYPICAL FRAME VERTICAL SECTION



TYPICAL JAMB HORIZONTAL SECTION

TABLE 1: JAMB SCREW INSTALLATION ANCHOR REQUIREMENTS TABLE

SUBSTRATE TYPE	ANCHOR TYPE	MIN. EMBED.	MIN. EDGE DIST.
CONCRETE (2.0 KSI MIN)	3/16" ITW TAPCON	1 1/2"	1 1/8"
HOLLOW OR GROUT-FILLED CMU (117 PCF MIN.)	1/4" ITW TAPCON	1"	2"
16 GAUGE (0.060") MIN. STEEL STUD, 33KSI YIELD MIN., OR 1/8" ALUM. 6063-T5 MIN.	#10-16 HILTI KWIK-FLEX OR ITW TEKS SELF-DRILLING SCREW	3 THREADS BEYOND METAL WALL	5/8"

MARVIN

WARROAD, MN U.S.A.
PH. (218) 386-4021

SHEET DESCRIPTION:
JAMB SCREW INSTALL, TABLE

DATE DRAWN:
1/21/2020

SCALE: NTS

REV: A

DRAWING: Install-UCAP-IZ3 FL31327

SHEET: 2 OF 2



1/25/2024
Lucas A. Turner, P.E.
FL PE #58201
2428 Old Natchez Trc Trl
Camden, TN 38320
Ph. 941-380-1574