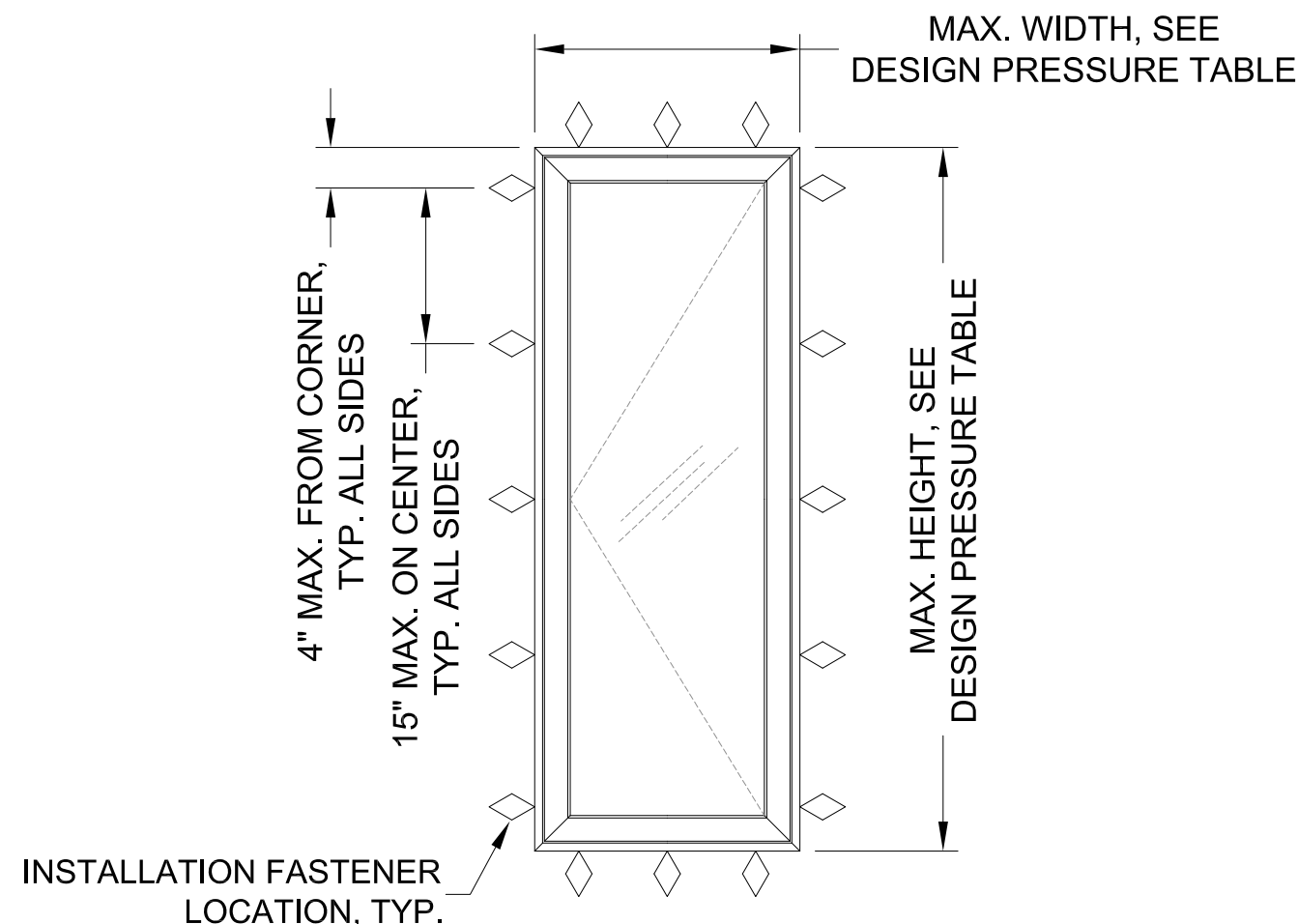


**GENERAL NOTES**

1. THE PRODUCT SHOWN HEREIN IS DESIGNED AND MANUFACTURED TO COMPLY WITH THE REQUIREMENTS OF THE 8TH EDITION (2023) FLORIDA BUILDING CODE FOR USE OUTSIDE THE HIGH VELOCITY HURRICANE ZONE
2. THIS DOCUMENT ADDRESSES ONLY PRODUCT ANCHORAGE TO ACHIEVE THE INDICATED DESIGN PRESSURES AT THE INDICATED SIZES, IN THE CONFIGURATIONS INDICATED. INSTALL PRODUCTS WITH MAXIMUM SHIM GAP, MINIMUM EDGE DISTANCE AND EMBEDMENT, AND WITH FASTENER TYPE AS SHOWN IN THE DETAILS AND AS INDICATED IN TABLE 1. FOR FULL PRODUCT CONSTRUCTION DETAILS SEE INTERTEK TEST REPORTS J3645.01-201-47 AND J3648.01-201-47
3. THIS PRODUCT AS SHOWN IN THIS DRAWING IS NON-IMPACT, AND REQUIRES THE USE OF IMPACT PROTECTIVE DEVICES (SHUTTERS) IN WINDBORNE DEBRIS REGIONS.
4. GLAZING SHALL BE COMPLIANT WITH ASTM E-1300.
5. THE 4/3 ALLOWABLE STRESS INCREASE FACTOR (SHORT-TERM INCREASE FACTOR) HAS NOT BEEN USED IN THE ANCHOR ANALYSIS FOR THIS SYSTEM. THE 1.6 Cd FACTOR WAS USED IN THE ANALYSIS OF ANCHORAGE INTO WOOD SUBSTRATE.
6. THE OPENING SUBSTRATE MATERIALS (FRAMING, MASONRY, BUCKS) AND ATTACHMENT OF BUCKS TO THE SUBSTRATE ARE BY OTHERS AND SHALL BE VERIFIED BY THE ARCHITECT OR ENGINEER OF RECORD OR AS APPROVED BY THE AUTHORITY HAVING JURISDICTION (AHJ). BUCKING, OPENINGS, & BUCKING FASTENERS MUST BE PROPERLY DESIGNED & INSTALLED BY OTHERS IN ACCORDANCE WITH THE FBC TO TRANSFER SUPERIMPOSED LOADS TO THE STRUCTURE. WITH MASONRY OPENINGS, WOOD BUCKS ARE OPTIONAL.
7. DISSIMILAR MATERIALS THAT COME INTO CONTACT SHALL BE COATED OR OTHERWISE PROTECTED TO PREVENT GALVANIC REACTIONS. WOOD BUCKS, IF USED, SHALL BE PRESSURE TREATED, WITH EITHER A TREATMENT OR COATING COMPATIBLE WITH THIS PRODUCT.
8. ANCHORAGE NOTES: ALL ANCHORS USED SHALL BE OF A MATERIAL OR HAVE A COATING COMPATIBLE WITH THE PRESSURE TREATED WOOD BUCKS AND ALL OTHER WINDOW MATERIALS. INSTALL ONE ANCHOR AT EACH LOCATION SHOWN IN THE ELEVATION. INSTALL SHIMS AT EACH ANCHOR LOCATION WHERE A GAP OF 1/16" OR GREATER EXISTS BETWEEN PRODUCT FRAME AND SUBSTRATE. SHIMS SHALL BE LOAD-BEARING (PLASTIC OR METALLIC) AND CAPABLE OF TRANSFERRING LOADS TO SUBSTRATE. SPECIFIED ANCHOR EMBEDMENT TO SUBSTRATE SHALL BE BEYOND WALL FINISH OR STUCCO. ENSURE 4" MINIMUM SPACING BETWEEN ANY TWO INSTALLATION FASTENERS.
9. WOOD BUCKS LESS THAN 1-1/2" THICK ARE OPTIONAL AND MAY BE USED WITH CONCRETE/CMU, WITH ANCHOR EMBEDMENT BEYOND WOOD BUCKS AND INTO MASONRY.
10. ALL HARDWARE & FASTENERS SHALL BE IN ACCORDANCE WITH THESE DRAWINGS, OR AS APPROVED, SIGNED, AND SEALED BY A FLORIDA-REGISTERED PROFESSIONAL ENGINEER ON A SITE-SPECIFIC BASIS.
11. SEALING AND FLASHING STRATEGIES FOR OVERALL WATER INFILTRATION RESISTANCE OF THE INSTALLED PRODUCT SHALL BE THE RESPONSIBILITY OF OTHERS AND ARE NOT ADDRESSED BY THIS DOCUMENT.

**ULTIMATE CASEMENT PUSH OUT /  
ULTIMATE CASEMENT NARROW FRAME PUSH OUT**



**ELEVATION  
SEE DETAILS SHEETS 2 AND 3**

**DESIGN PRESSURE TABLE**

CONFIGURATION	MAX. SIZE	DESIGN PRESSURE RATING
UCA PO / UCA NFPO	36" X 96-1/8"	+/-35 PSF
UCA PO / UCA NFPO	40" X 91-1/8"	+/-35 PSF

**MARVIN** 

WARROAD, MN U.S.A.  
PH. (218) 386-4021

SHEET DESCRIPTION:  
NOTES, ELEVATION

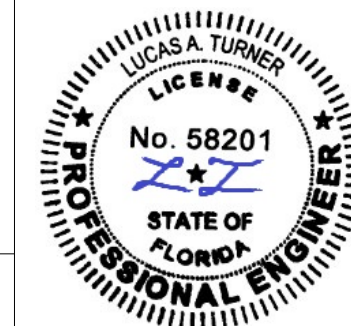
DATE DRAWN:  
1/23/2020

SCALE: NTS

REV: A 11/14/23

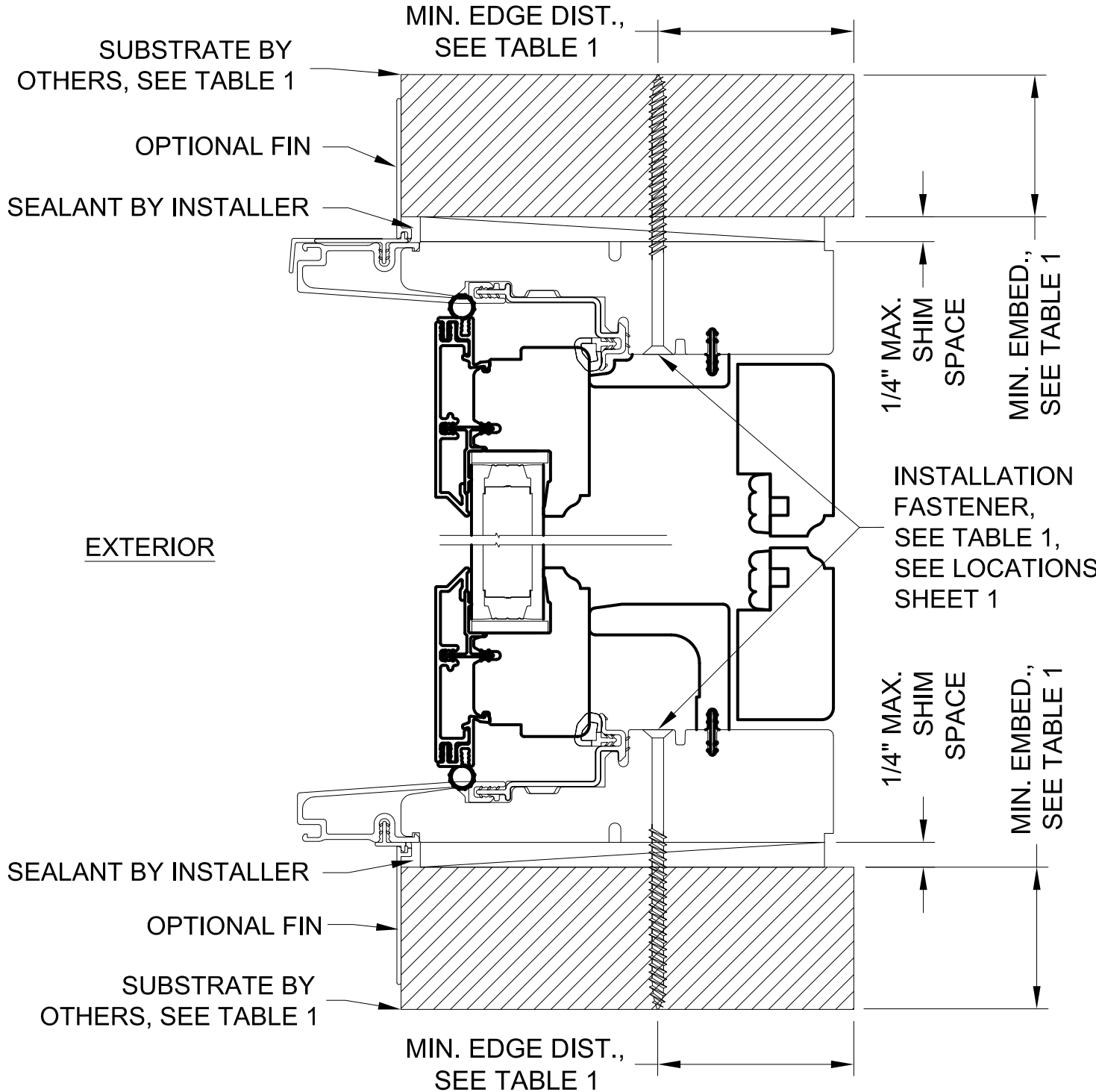
DWG: Install-UCAPO-DP35 FL31335

SHEET: 1 OF 3

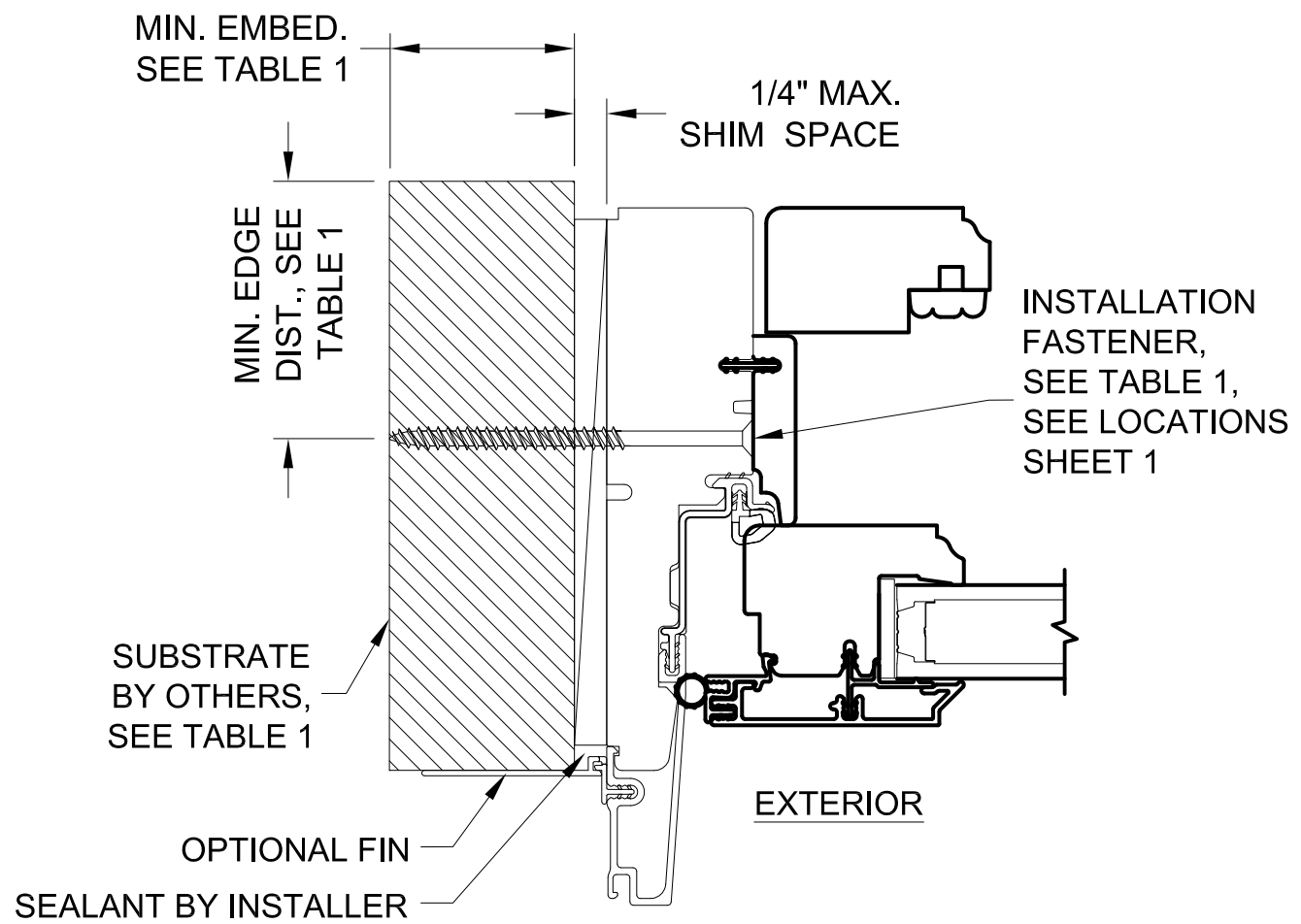


11/14/2023  
Lucas A. Turner, P.E.  
FL PE #58201  
2428 Old Natchez Trc Trl  
Camden, TN 38320  
Ph. 941-380-1574

# ULTIMATE CASEMENT (FULL FRAME) PUSH OUT



**TYPICAL FRAME VERTICAL SECTION**



**TYPICAL JAMB HORIZONTAL SECTION**

**TABLE 1: FRAME INSTALLATION ANCHOR REQUIREMENTS TABLE**

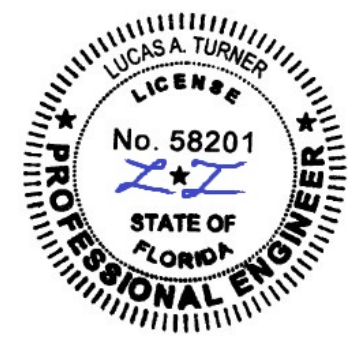
SUBSTRATE TYPE	ANCHOR TYPE	MIN. EMBED.	MIN. EDGE DIST.
CONCRETE (2.0 KSI MIN)	3/16" ITW TAPCON	1-1/2"	1 1/8"
HOLLOW OR GROUT-FILLED CMU (117 PCF MIN.)	3/16" ITW TAPCON	1"	2"
16 GAUGE (0.060") MIN. STEEL STUD, 33KSI YIELD MIN., OR 1/8" ALUM. 6063-T5 MIN.	#10-16 HILTI KWIK-FLEX OR ITW TEKS SELF-DRILLING SCREW	3 THREADS BEYOND METAL WALL	1/2"

**MARVIN**



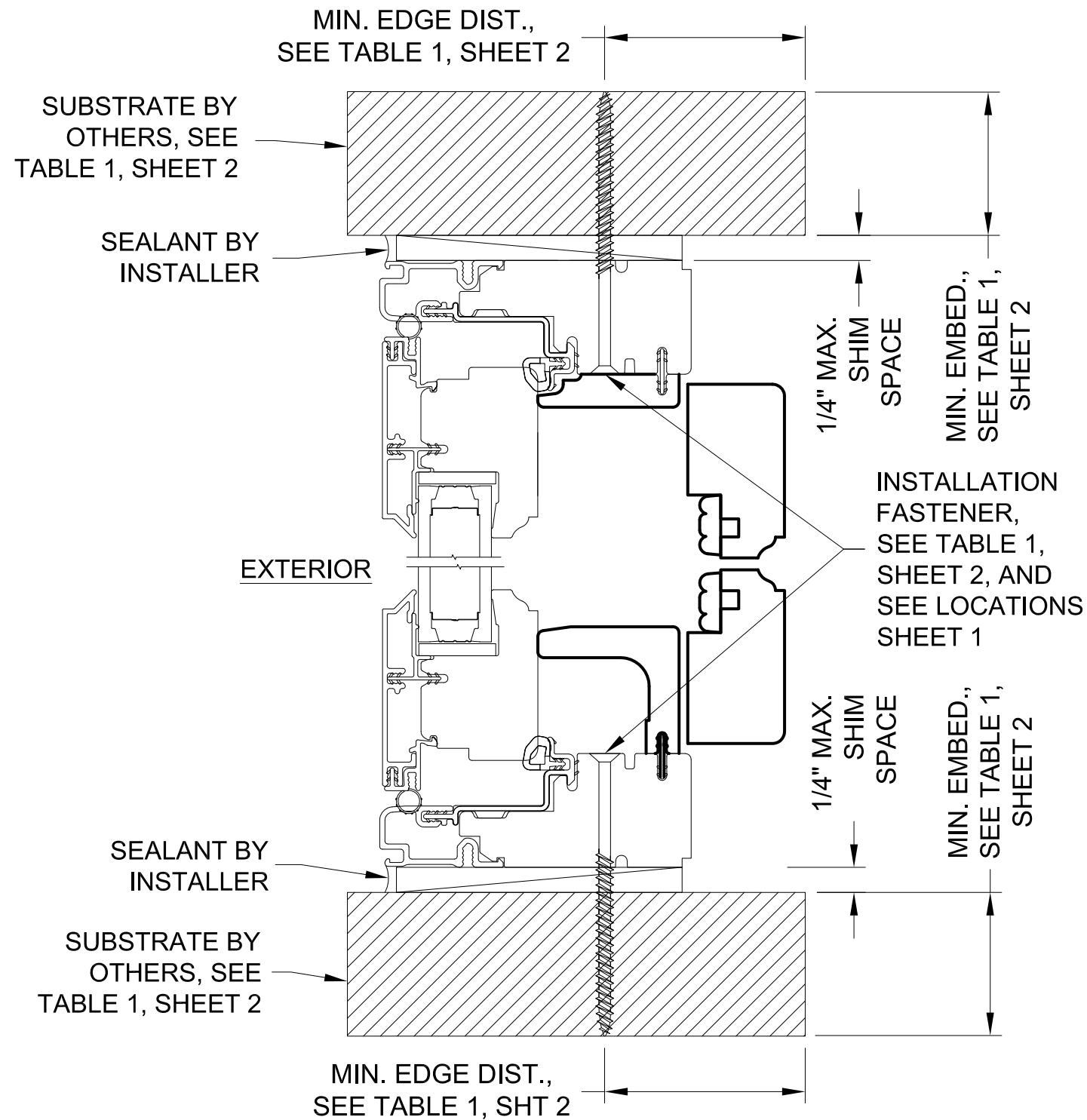
WARROAD, MN U.S.A.  
PH. (218) 386-4021

SHEET DESCRIPTION: INSTALLATION DETAILS, TABLE	DATE DRAWN: 1/23/2020
SCALE: NTS	REV: A 11/14/23
DWG: Install-UCAPO-DP35	FL31335 SHEET: 2 OF 3

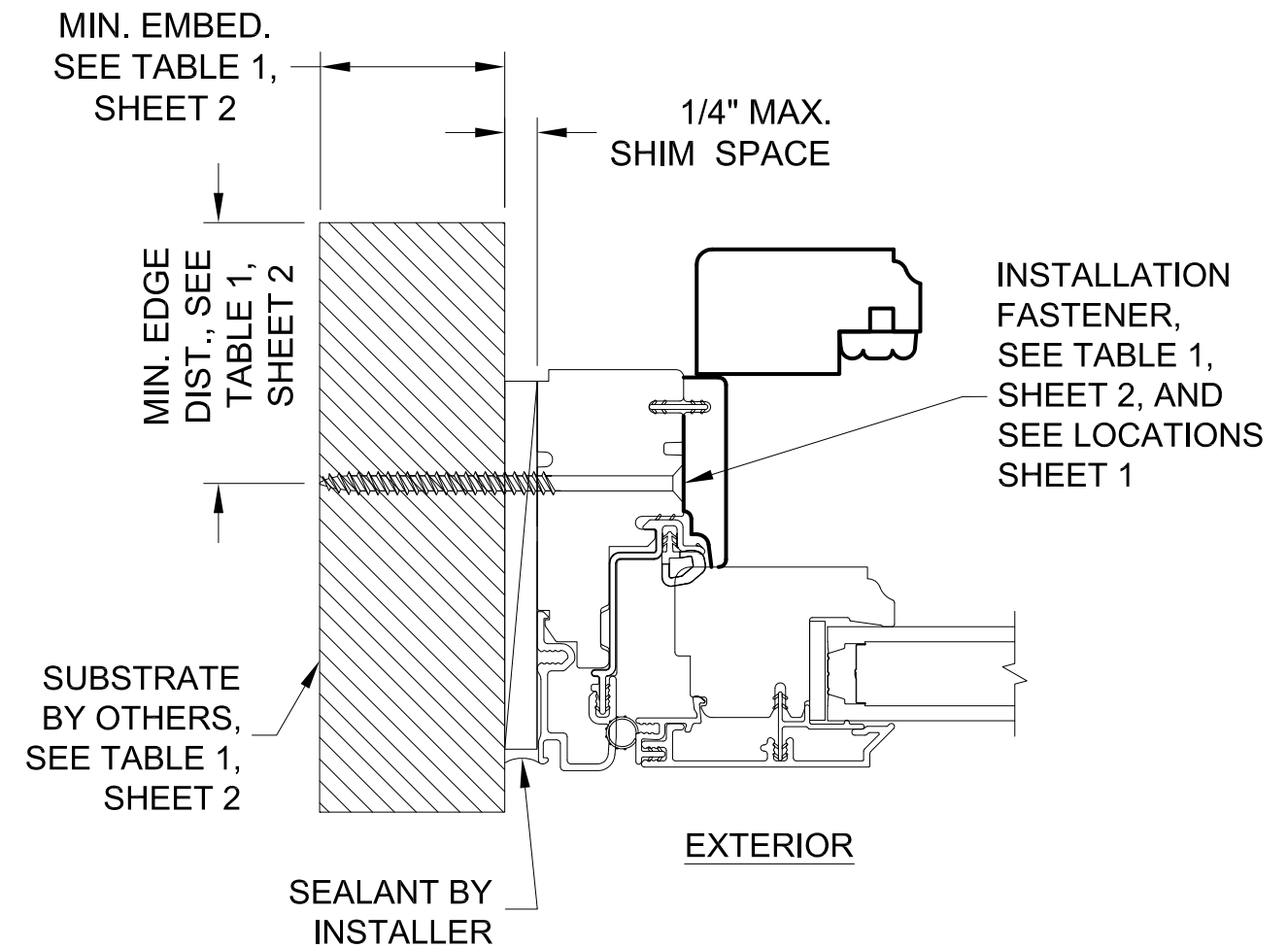


11/14/2023  
Lucas A. Turner, P.E.  
FL PE #58201  
2428 Old Natchez Trc Trl  
Camden, TN 38320  
Ph. 941-380-1574

# ULTIMATE CASEMENT NARROW FRAME PUSH OUT



**TYPICAL FRAME VERTICAL SECTION**



**TYPICAL JAMB HORIZONTAL SECTION**

**MARVIN** 

WARROAD, MN U.S.A.  
PH. (218) 386-4021

SHEET DESCRIPTION:  
INSTALLATION DETAILS, TABLE

DATE DRAWN:  
1/23/2020

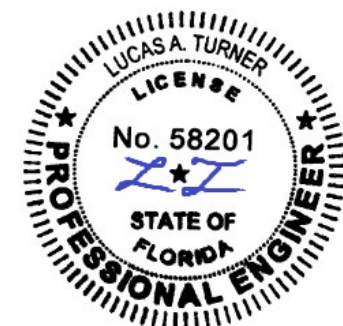
SCALE: NTS

REV: A 11/14/23

DWG: Install-UCAPO-DP35

FL31335

SHEET: 3 OF 3



11/14/2023  
Lucas A. Turner, P.E.  
FL PE #58201  
2428 Old Natchez Trc Trl  
Camden, TN 38320  
Ph. 941-380-1574