

HORIZONTAL SLIDER - NON-IMPACT

(SHOWN w/DIFFERENT OPTIONS)

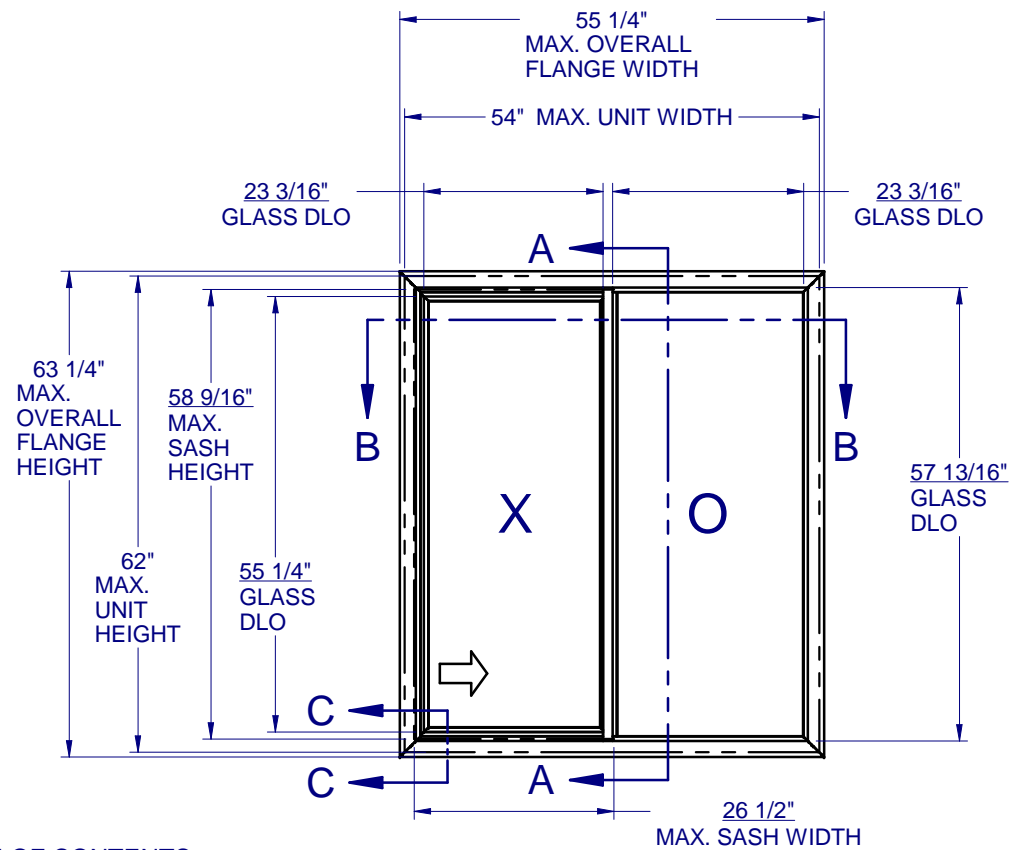
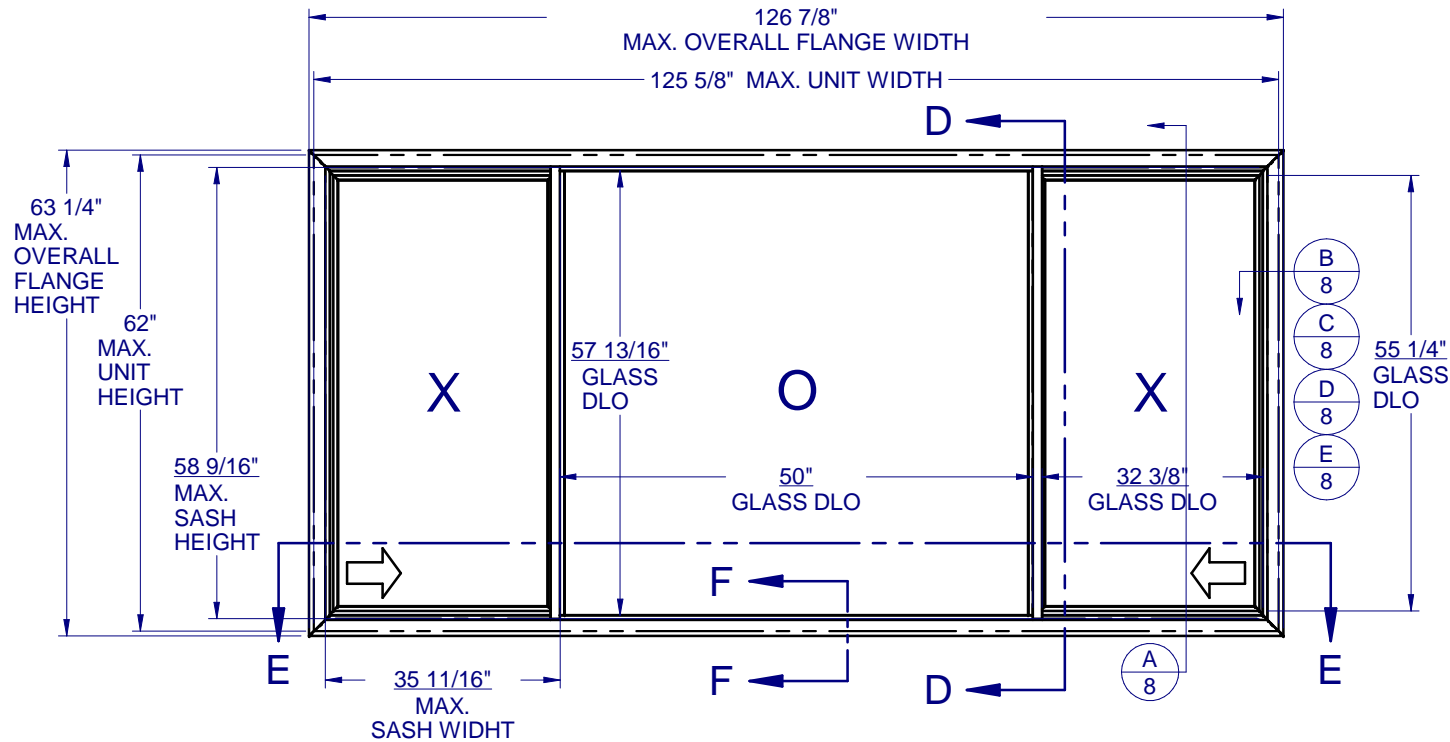


TABLE OF CONTENTS

GENERAL NOTES & ELEVATIONS.....1
 GLAZING DETAILS.....2
 COMPARATIVE ANALYSIS.....3
 SECTION VIEW & ALTERNATE FRAMES.....4-5
 BOM & EXTRUSIONS.....6
 ANCHOR SCHEDULE & NOTES.....7
 INSTALLATION DETAILS.....8

CONFIG.	MAX. UNIT SIZE	DESIGN PRESSURE RATING	IMPACT RATING
XO	54" x 62"	SEE COMPARATIVE ANALYSIS	NONE
XOX 1/4 1/2 1/4	125-5/8" x 62"	CHART, SHEET 3	NONE

GENERAL NOTES:

1. THE PRODUCT SHOWN HEREIN IS DESIGNED AND MANUFACTURED TO COMPLY WITH THE FLORIDA BUILDING CODE (FBC), CURRENT EDITION.
2. GLAZING OPTIONS: (SEE SHEET 2)
3. CONFIGURATIONS: "OX", "XO", "XOX".
4. DESIGN PRESSURE RATING (SEE SHEET 3):
 -NEGATIVE DESIGN LOADS BASED ON, TESTED PRESSURE AND GLASS TABLES ASTM E-1300-04e01/09.
 -POSITIVE DESIGN LOADS BASED ON, TESTED PRESSURE, WATER INFILTRATION TEST PRESSURE AND GLASS TABLES ASTM E-1300-04e01/09.
5. ANCHORAGE: THE 33 1/3% STRESS INCREASE HAS NOT BEEN USED IN THE DESIGN OF THIS PRODUCT. SEE SHEET 8 FOR ANCHOR DETAILS. WINDLOAD DURATION FACTOR Cd=1.6 WAS USED FOR WOOD ANCHOR CALCULATIONS.
6. NOT APPROVED FOR IMPACT RESISTANCE. IMPACT PROTECTIVE SYSTEM IS REQUIRED IN WIND BORNE DEBRIS REGION.
7. ALL FRAMES AND VENTS FULLY WELDED. SMALL JOINT SEAM SEALANT USED AT FIXED MEETING RAIL AND HEAD/SILL.
8. SERIES / MODEL DESIGNATION HS-8200.
9. THE DESIGNATION X AND O STAND FOR THE FOLLOWING:
 X = OPERABLE SASH, O = FIXED SASH
10. SECTION CALLOUTS APPLY TO ALL ELEVATIONS IN A SIMILAR LOCATION.
11. EXTERNAL WEEP SLOT = 1/4" x 1" LOCATED 6" FROM BOTH ENDS.



520 PVC SLIDING WINDOW NON-IMPACT

PROPRIETARY AND CONFIDENTIAL
 THE INFORMATION CONTAINED IN THIS DRAWING IS THE SOLE PROPERTY OF CUSTOM WINDOW SYSTEMS, INC. ANY REPRODUCTION IN PART OR AS A WHOLE WITHOUT THE WRITTEN PERMISSION OF CUSTOM WINDOW SYSTEMS, INC IS PROHIBITED.

FLORIDA APPROVAL NO.:
 33448



8/15/2023

LUCAS A. TURNER, P.E.
 FL PE # 58201
 Turner Engineering & Consulting, Inc.
 2428 Old Natchez Trc Trl
 Camden, TN 38320
 PH. 941-380-1574

SHEET DESCRIPTION:
 GENERAL NOTES AND ELEVATIONS

DRAWN BY: MCS	DATE: 7/28/2023
DWG #: PEL-340	REV.: A
SCALE: 1:25	SHEET 1 OF 8

**520 PVC
 SLIDING WINDOW
 NON-IMPACT**

PROPRIETARY AND CONFIDENTIAL
 THE INFORMATION CONTAINED IN
 THIS DRAWING IS THE SOLE
 PROPERTY OF CUSTOM WINDOW
 SYSTEMS, INC. ANY
 REPRODUCTION IN PART OR AS A
 WHOLE WITHOUT THE WRITTEN
 PERMISSION OF CUSTOM WINDOW
 SYSTEMS, INC IS PROHIBITED.

FLORIDA APPROVAL NO.:
 33448



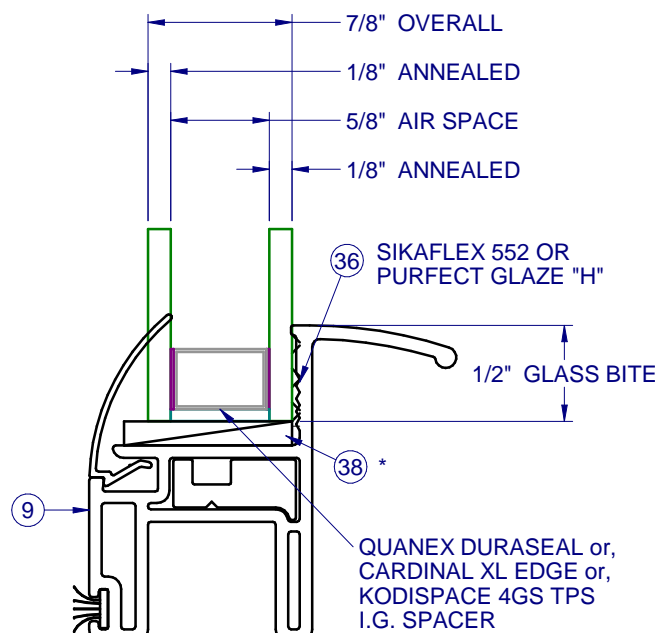
8/15/2023

LUCAS A. TURNER, P.E.
 FL PE # 58201
 Turner Engineering &
 Consulting, Inc.
 2428 Old Natchez Trc Trl
 Camden, TN 38320
 PH. 941-380-1574

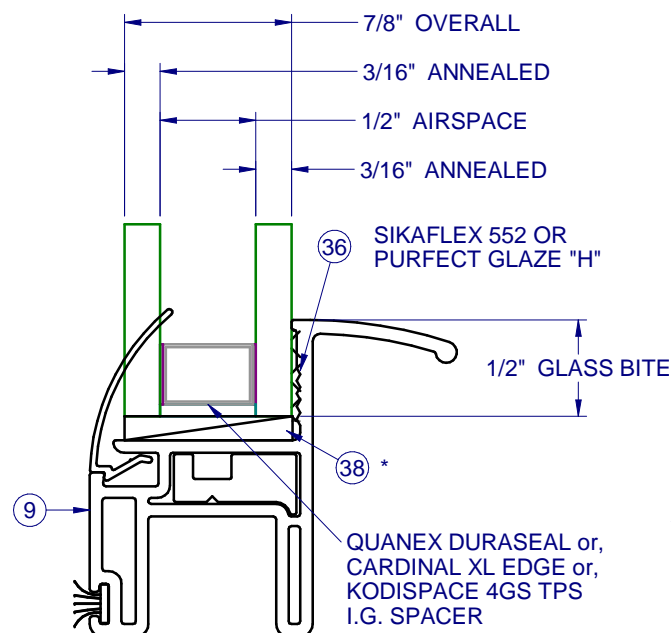
SHEET DESCRIPTION:

GLAZING DETAILS

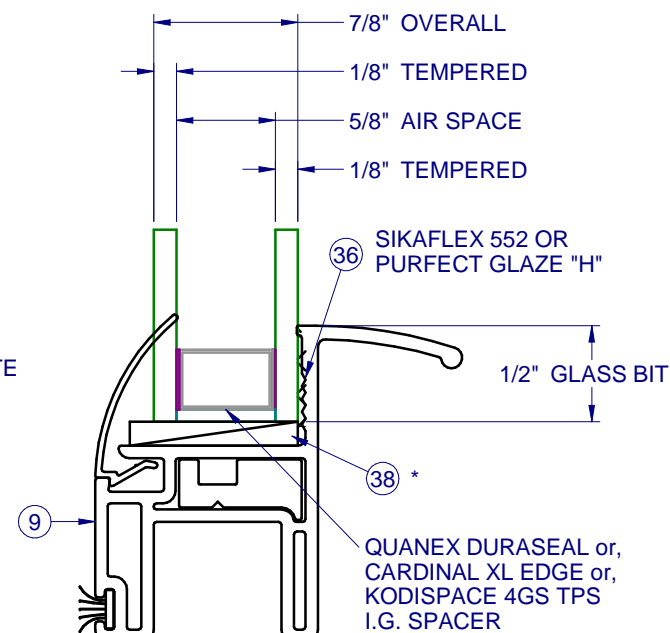
DRAWN BY: MCS	DATE: 7/28/2023
DWG #: PEL-340	REV.: A
SCALE: 1:1	SHEET 2 OF 8



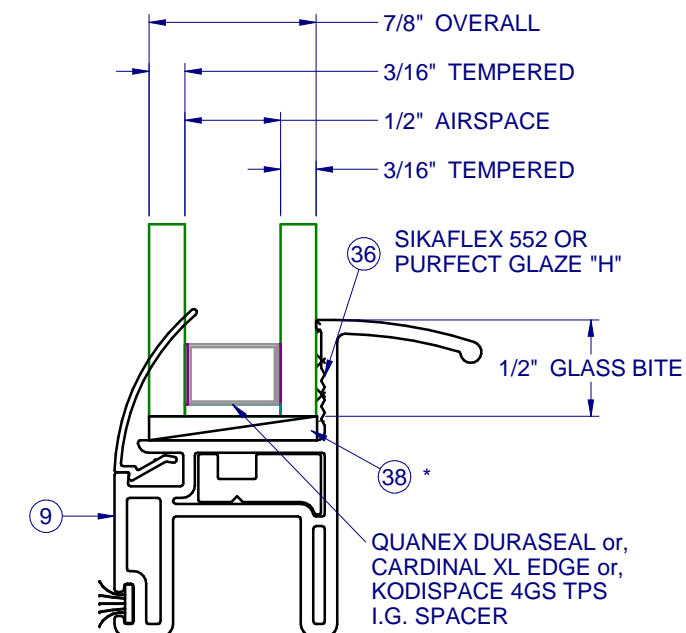
GLASS TYPE A



GLASS TYPE B



GLASS TYPE C

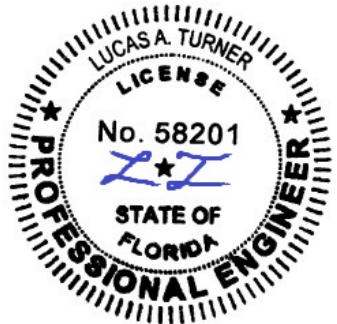


GLASS TYPE D

**520 PVC
SLIDING WINDOW
NON-IMPACT**

PROPRIETARY AND CONFIDENTIAL
 THE INFORMATION CONTAINED IN
 THIS DRAWING IS THE SOLE
 PROPERTY OF CUSTOM WINDOW
 SYSTEMS, INC. ANY
 REPRODUCTION IN PART OR AS A
 WHOLE WITHOUT THE WRITTEN
 PERMISSION OF CUSTOM WINDOW
 SYSTEMS, INC IS PROHIBITED.

FLORIDA APPROVAL NO.:
33448



8/15/2023

LUCAS A. TURNER, P.E.
FL PE # 58201
Turner Engineering &
Consulting, Inc.
2428 Old Natchez Trc Trl
Camden, TN 38320
PH. 941-380-1574

SHEET DESCRIPTION:

COMPARATIVE ANALYSIS

DRAWN BY: MCS	DATE: 7/28/2023
DWG #: PEL-340	REV.: A
SCALE: 1:1	SHEET 3 OF 8

XOX DESIGN PRESSURES (GLASS TYPE B OR D IN THE FIXED LITE, GLASS TYPE A, B, C, OR D IN THE SASH)

UNIT HEIGHT (IN)	UNIT WIDTH (IN)									
	55	65	75	87 1/2	102 1/2	108 3/4	110 1/4	120	125 5/8	
	SASH WIDTH (IN)									
	15 5/8	18 7/16	21 5/16	24 7/8	29 1/8	30 7/8	31 5/16	34 1/16	35 11/16	
17 7/8	+45 / -45	+45 / -45	+45 / -45	+45 / -45	+45 / -45	+45 / -45	+45 / -45	+42.5 / -42.5	+40 / -40	
29 1/2	+45 / -45	+45 / -45	+45 / -45	+45 / -45	+45 / -45	+40.1 / -40.1	+39.1 / -39.1	+33.5 / -33.5	+30.9 / -30.9	
31 1/2	+45 / -45	+45 / -45	+45 / -45	+45 / -45	+45 / -45	+40 / -40	+39 / -39	+33.1 / -33.1	+30.4 / -30.4	
35 1/2	+45 / -45	+45 / -45	+45 / -45	+45 / -45	+45 / -45	+40 / -40	+39 / -39	+32.9 / -32.9	+30 / -30	
39 1/2	+45 / -45	+45 / -45	+45 / -45	+45 / -45	+45 / -45	+40 / -40	+39 / -39	+32.9 / -32.9	+30 / -30	
41 1/2	+45 / -45	+45 / -45	+45 / -45	+45 / -45	+45 / -45	+40 / -40	+39 / -39	+32.9 / -32.9	+30 / -30	
43 1/2	+45 / -45	+45 / -45	+45 / -45	+45 / -45	+45 / -45	+40 / -40	+39 / -39	+32.9 / -32.9	+30 / -30	
47 1/2	+45 / -45	+45 / -45	+45 / -45	+45 / -45	+45 / -45	+40 / -40	+39 / -39	+32.9 / -32.9	+30 / -30	
51 1/2	+45 / -45	+45 / -45	+45 / -45	+45 / -45	+43.8 / -43.8	+40 / -40	+39 / -39	+32.9 / -32.9	+30 / -30	
53 1/2	+45 / -45	+45 / -45	+45 / -45	+44.7 / -44.7	+41.3 / -41.3	+40 / -40	+39 / -39	+32.9 / -32.9	+30 / -30	
55 1/2	+45 / -45	+45 / -45	+45 / -45	+42.4 / -42.4	+39 / -39	+38 / -38	+37.7 / -37.7	+32.9 / -32.9	+30 / -30	
62	+45 / -45	+44.9 / -44.9	+40.4 / -40.4	+36.4 / -36.4	+33.1 / -33.1	+32.1 / -32.1	+31.8 / -31.8	+30.6 / -30.6	+30 / -30	

XO OR OX DESIGN PRESSURES (GLASS TYPE A, B, C, OR D)

UNIT HEIGHT (IN)	UNIT WIDTH (IN)								
	29.5	31.5	35.5	39.5	41.5	43.5	47.5	51.5	54
17.875	+45 / -67.5	+45 / -67.5	+45 / -67.5	+45 / -67.5	+45 / -67.5	+45 / -67.5	+45 / -61.9	+45 / -54.6	+45 / -50.8
29.5	+45 / -67.5	+45 / -67.5	+45 / -67.5	+45 / -67.5	+45 / -67.5	+45 / -67.5	+45 / -58.2	+45 / -49.5	+45 / -45
31.5	+45 / -67.5	+45 / -67.5	+45 / -67.5	+45 / -67.5	+45 / -67.5	+45 / -67.5	+45 / -58.2	+45 / -49.5	+45 / -45
35.5	+45 / -67.5	+45 / -67.5	+45 / -67.5	+45 / -67.5	+45 / -67.5	+45 / -67.5	+45 / -58.2	+45 / -49.5	+45 / -45
39.5	+45 / -67.5	+45 / -67.5	+45 / -67.5	+45 / -67.5	+45 / -67.5	+45 / -67.5	+45 / -58.2	+45 / -49.5	+45 / -45
41.5	+45 / -67.5	+45 / -67.5	+45 / -67.5	+45 / -67.5	+45 / -67.5	+45 / -67.5	+45 / -58.2	+45 / -49.5	+45 / -45
43.5	+45 / -67.5	+45 / -67.5	+45 / -67.5	+45 / -67.5	+45 / -67.5	+45 / -67.5	+45 / -58.2	+45 / -49.5	+45 / -45
49	+45 / -67.5	+45 / -67.5	+45 / -67.5	+45 / -67.5	+45 / -67.5	+45 / -67.5	+45 / -58.2	+45 / -49.5	+45 / -45
51.5	+45 / -67.5	+45 / -67.5	+45 / -67.5	+45 / -67.5	+45 / -67.5	+45 / -66.7	+45 / -58.2	+45 / -49.5	+45 / -45
53.5	+45 / -67.5	+45 / -67.5	+45 / -67.5	+45 / -67.5	+45 / -65.9	+45 / -63.6	+45 / -58.2	+45 / -49.5	+45 / -45
55.5	+45 / -67.5	+45 / -67.5	+45 / -67.5	+45 / -65.4	+45 / -62.9	+45 / -60.7	+45 / -56.9	+45 / -49.5	+45 / -45
59.5	+45 / -67.5	+45 / -67.5	+45 / -65.6	+45 / -60.1	+45 / -57.8	+45 / -55.7	+45 / -52.1	+45 / -49.1	+45 / -45
62	+45 / -67.5	+45 / -67.5	+45 / -62.5	+45 / -57.2	+45 / -55	+45 / -53	+45 / -49.5	+45 / -46.6	+45 / -45

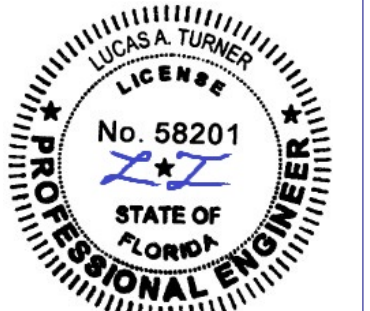
NOTES:

1. IF SIZE INTENDED IS NOT SHOWN, USE NEXT LARGER SIZE
2. ALL XOX UNITS MUST USE EITHER GLASS TYPE B OR TYPE D ONLY.

**520 PVC
 SLIDING WINDOW
 NON-IMPACT**

PROPRIETARY AND CONFIDENTIAL
 THE INFORMATION CONTAINED IN
 THIS DRAWING IS THE SOLE
 PROPERTY OF CUSTOM WINDOW
 SYSTEMS, INC. ANY
 REPRODUCTION IN PART OR AS A
 WHOLE WITHOUT THE WRITTEN
 PERMISSION OF CUSTOM WINDOW
 SYSTEMS, INC IS PROHIBITED.

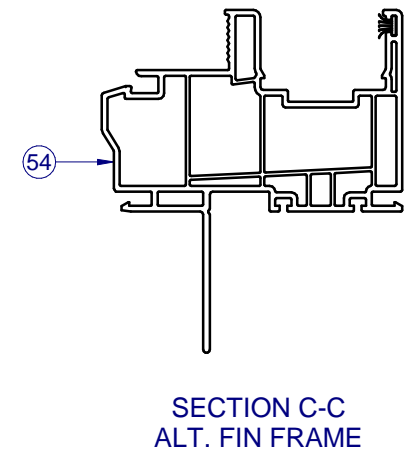
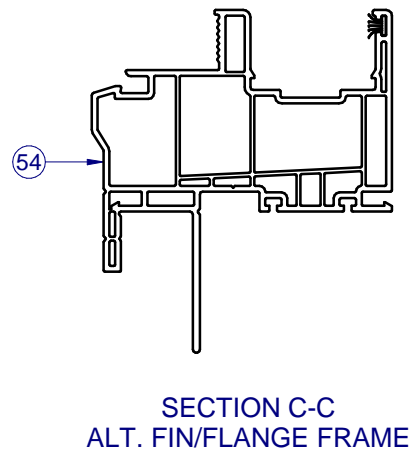
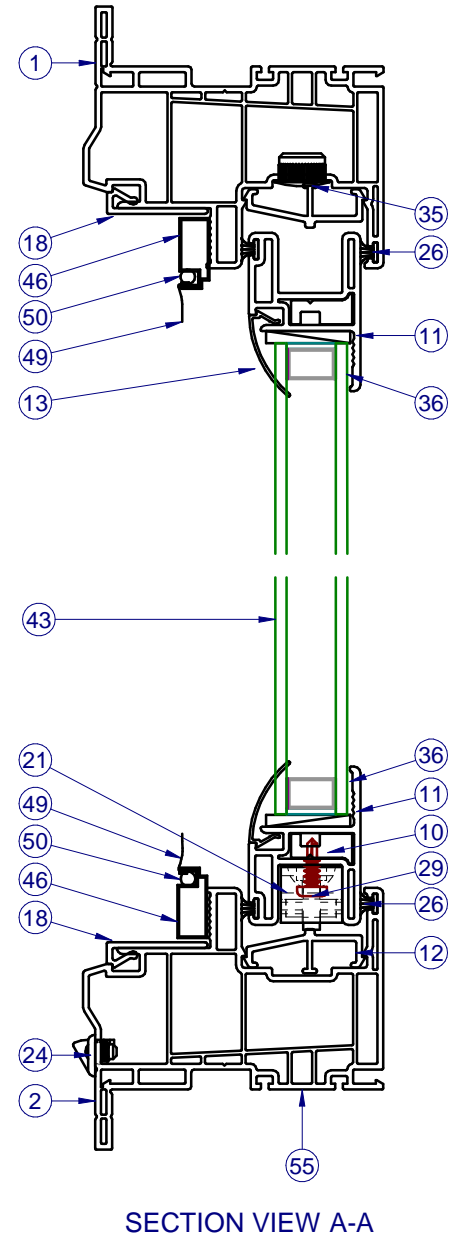
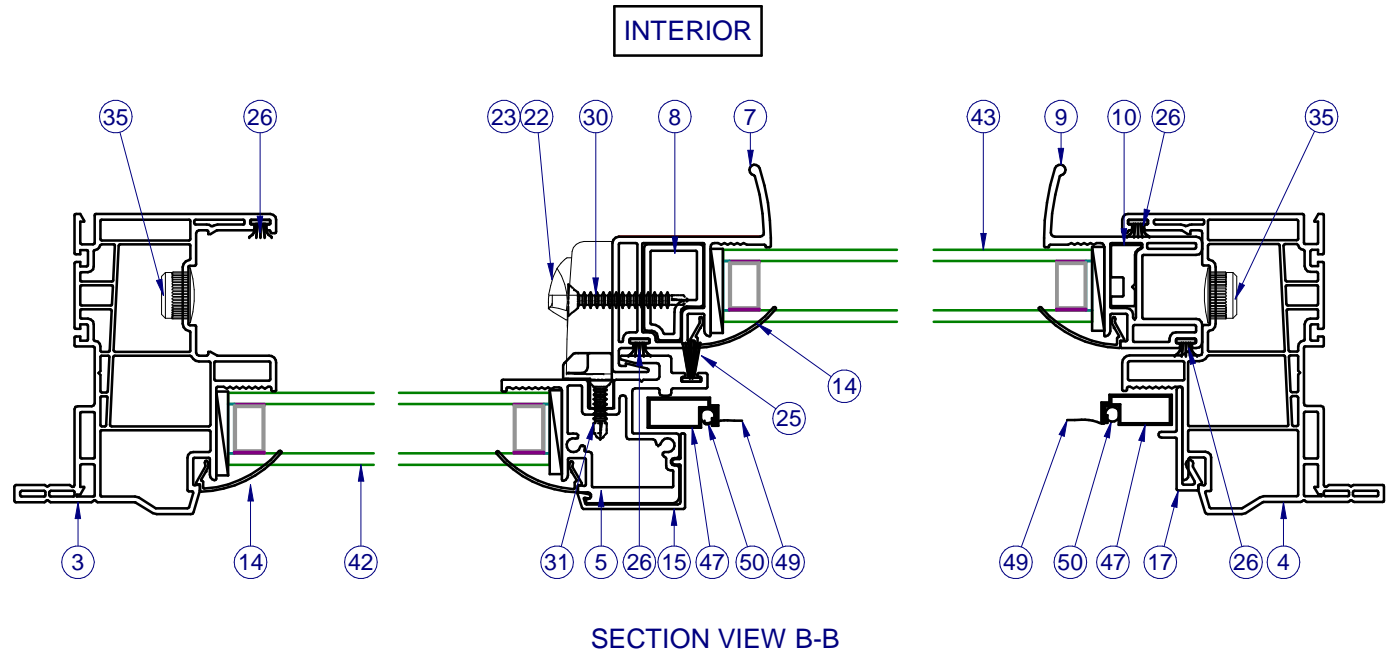
FLORIDA APPROVAL NO.:
 33448



8/15/2023
 LUCAS A. TURNER, P.E.
 FL PE # 58201
 Turner Engineering &
 Consulting, Inc.
 2428 Old Natchez Trc Trl
 Camden, TN 38320
 PH. 941-380-1574

SHEET DESCRIPTION:
**SECTION VIEW &
 ALTERNATE FRMES - OX**

DRAWN BY: MCS	DATE: 7/28/2023
DWG #: PEL-340	REV.: A
SCALE: 1:2	SHEET 4 OF 8

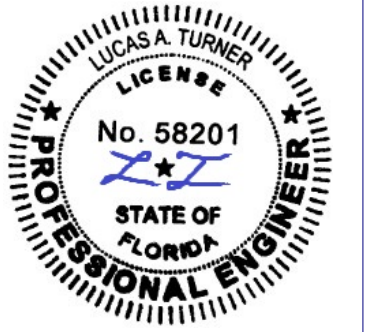


ITEMS NOT SHOWN FOR CLARITY:
 20, 25, 27, 34, 39, 40, 41, 48, 51, 52

**520 PVC
 SLIDING WINDOW
 NON-IMPACT**

PROPRIETARY AND CONFIDENTIAL
 THE INFORMATION CONTAINED IN
 THIS DRAWING IS THE SOLE
 PROPERTY OF CUSTOM WINDOW
 SYSTEMS, INC. ANY
 REPRODUCTION IN PART OR AS A
 WHOLE WITHOUT THE WRITTEN
 PERMISSION OF CUSTOM WINDOW
 SYSTEMS, INC IS PROHIBITED.

FLORIDA APPROVAL NO.:
 33448

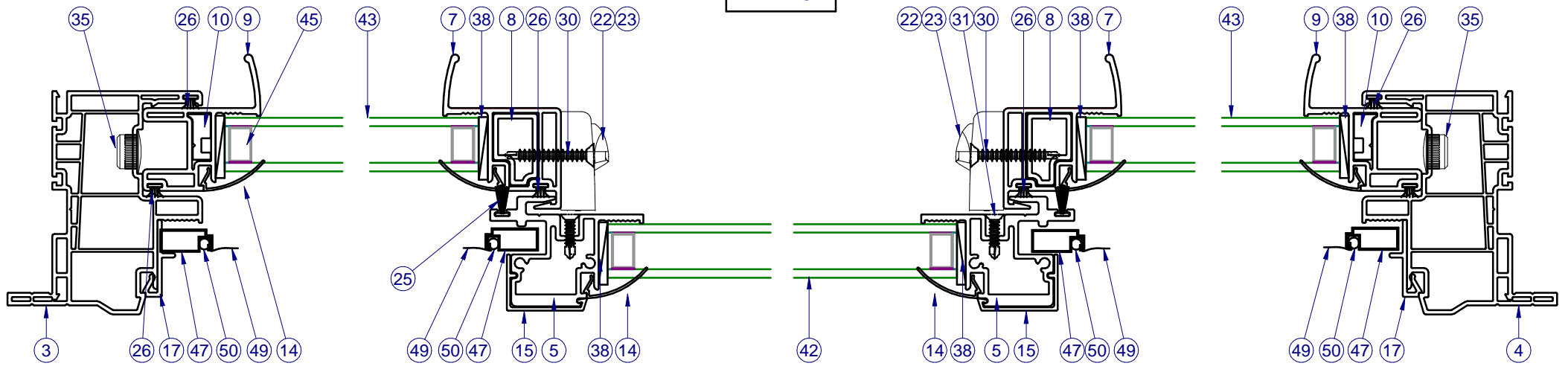


8/15/2023
 LUCAS A. TURNER, P.E.
 FL PE # 58201
 Turner Engineering &
 Consulting, Inc.
 2428 Old Natchez Trc Trl
 Camden, TN 38320
 PH. 941-380-1574

SHEET DESCRIPTION:
**SECTION VIEW &
 ALTERNATE FRAMES-XOX**

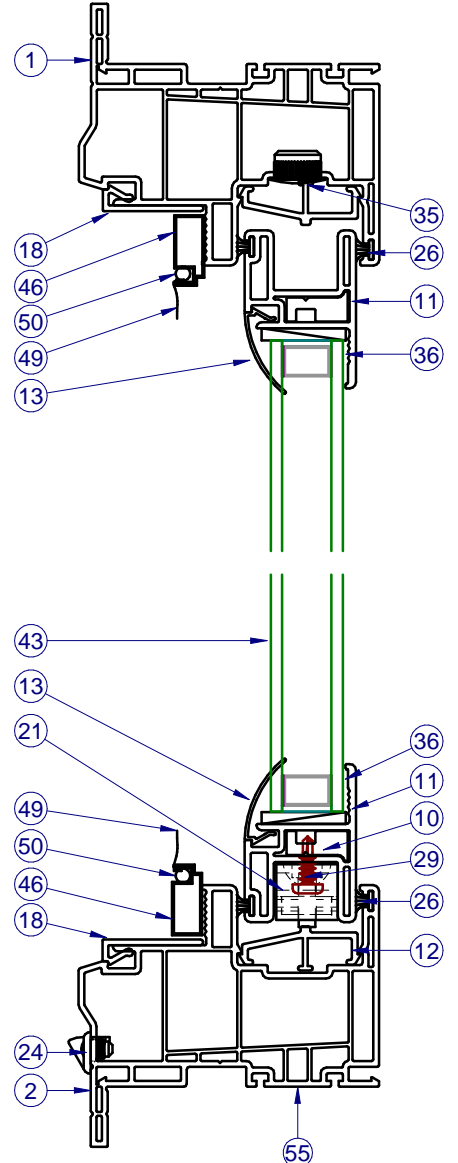
DRAWN BY: MCS	DATE: 7/28/2023
DWG #: PEL-340	REV.: A
SCALE: 1:2	SHEET 5 OF 8

INTERIOR

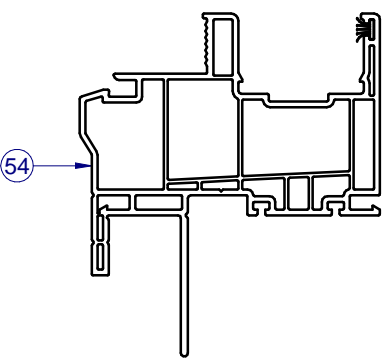


SECTION VIEW E-E

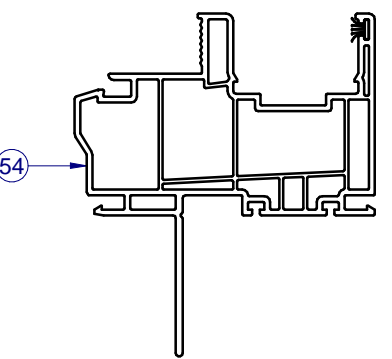
INTERIOR



SECTION VIEW D-D



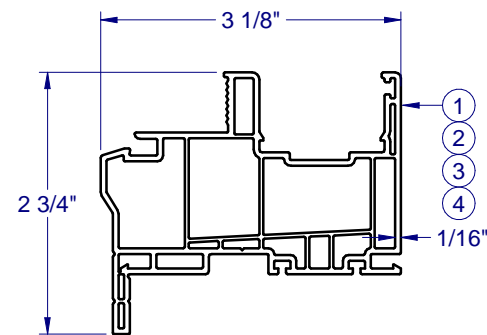
SECTION F-F
 ALT. FIN/FLANGE FRAME



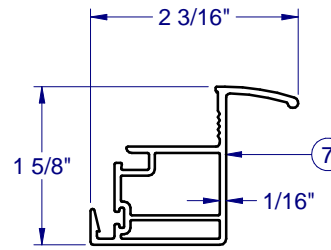
SECTION F-F
 ALT. FIN FRAME

ITEMS NOT SHOWN FOR CLARITY:
 20, 25, 27, 34, 39, 40, 41, 48, 51, 52

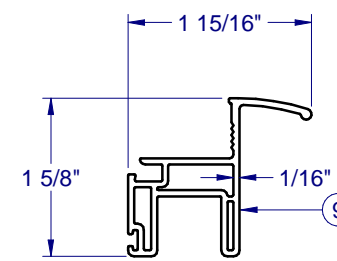
PARTS LIST			
ITEM	PART #	DESCRIPTION	MATERIAL
1	H-6222	Main Fr., SH, w/Flg., PVC, Head	PVC
2	H-6222	Main Fr., SH, w/Flg., PVC, Sill	PVC
3	H-6222	Main Fr., SH, w/Flg., PVC, L. Jb.	PVC
4	H-6222	Main Fr., SH, w/Flg., PVC, R. Jb.	PVC
5	H-2121	Meet. Rail, Fxd.	Alum
7	H-6224	Sash Meet. Rail, PVC	PVC
8	H-2124	Reinf. Sash Meet. Rail	Alum
9	H-6223	Sash Bottom Rail, PVC (S.S.R. for HS)	PVC
10	S-2129	Reinf. S.B.R./S.S.R.	Alum
11	H-6225	Sash Top/Bot. Rail	PVC
12	S-1776	Roller track	Alum
13	S-6237	Glz. Bd., 7/8", Fxd., Horiz.	PVC
14	S-6237	Glz. Bd., 7/8", Fxd., Vert.	PVC
15	S-6228	Fixed Rail Cover	PVC
17	S-6226	Scm. Adapt., w/ Nib, PVC	PVC
18	S-6227	Scm. Adapt., PVC	PVC
21	P-5241	Roller, Tandem	Nylon
22	P-3783	Lock, Impact, PVC	Zinc
23	P-4069	Keeper, Impact, PVC	Zinc
24	P-4479	Weep Cover w/ Flap	Nylon
25	P-4959	Wstp., 0.420 x .187 back FinSeal, Gray	
26	P-3305	Wstp., 0.270 x .187 back FinSeal, Gray	
27	P-4638	#8 x 2.5 Ph Modifed Truss, Type A TEK	Steel
29	P-3768	#8 x 0.625 Ph PH SMS	Steel
30	P-4051W	#8 x 1.250 Ph FH TEK, Wht.	Steel
31	P-3748W	#6 x 0.625 Quad FH TEK, Wht.	Steel
34	P-3342	Seam Sealer, SM-5504	Silicone
35	P-5588	Cap Plug, 1/2" Hole	Nylon
36		Purfect Glaze "H" or Sikaflex 552	Silicone
38	P-5612	Set. Blk., 85 Dur., 1/8" x 1" x 2" Lg.	Rubber
39	P-3683	HS-8200 Gold Cert. Label, NFRC, Non-Impact ASTM E	
40	P-5579	Temporary Lbl. (NFRC/DP)	
41	P-5304	CWS Lbl. (logo)	
42		Glass, Fixed (See Sht 2)	
43		Glass, Sash (See Sht 2)	
46	P-3218	Screen Frame, Horiz.	RollForm
47	P-3218	Screen Frame, Vert.	RollForm
48	P-5754W	Screen Frame Corner Key	Nylon
49	P-3581	Screen Cloth, 18 x 16 Fiberglass	
50	P-5576	Screen Spline, .155 Dia., Blk.	
51	P-3029	Screen Pull Tab	
52	P-3195	Screen Spring, SS	
54	H-6231	Main Fr., SH, w/ Fin., PVC	PVC



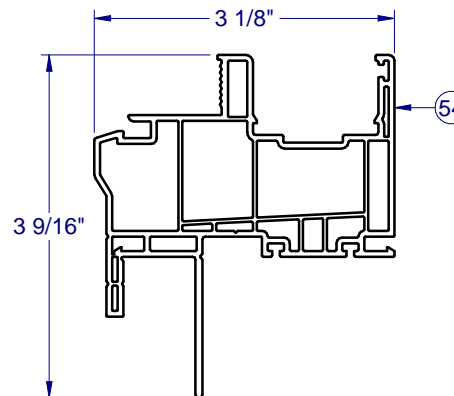
PVC FRAME FLANGE
H-6222



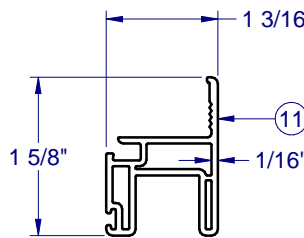
PVC SASH MTG RAIL
H-6224



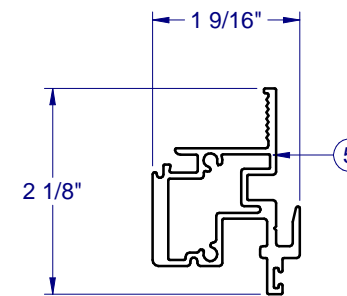
PVC SASH PULL
RAIL/STILE
H-6223



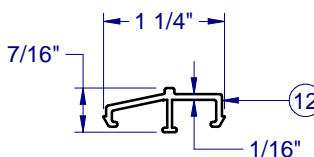
PVC FRAME FIN/FLANGE
H-6231



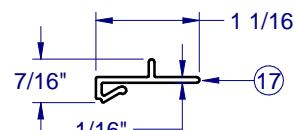
PVC SASH RAIL/STILE
H-6225



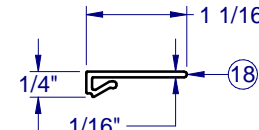
MTG RAIL
H-2121



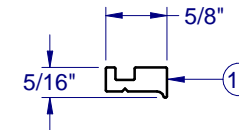
ROLLER TRACK
S-1776



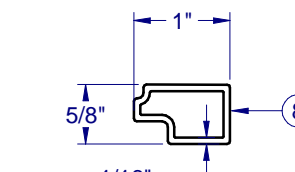
PVC SCREEN CATCH
S-6226



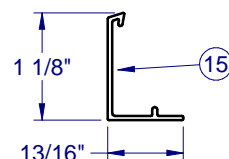
PVC SCREEN SUPPORT
S-6227



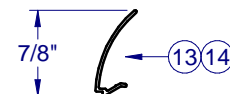
REINF. SBR/SSR
S-2129



REINF. SASH MTG RAIL
H-2124

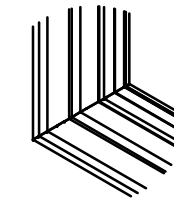


PVC MTG RAIL COVER
S-6228

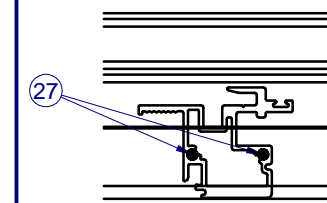


PVC GLAZING BEAD
S-6237

CORNER CONSTRUCTION



CORNER WELD
(ALL SIDES)
1:8



FIXED MEETING RAIL
SCREWED TOGETHER WITH
OUTERFRAME
1:8



Pella Corporation
102 Main Street
Pella, IA 50219
www.pella.com

**520 PVC
SLIDING WINDOW
NON-IMPACT**

PROPRIETARY AND CONFIDENTIAL
THE INFORMATION CONTAINED IN
THIS DRAWING IS THE SOLE
PROPERTY OF CUSTOM WINDOW
SYSTEMS, INC. ANY
REPRODUCTION IN PART OR AS A
WHOLE WITHOUT THE WRITTEN
PERMISSION OF CUSTOM WINDOW
SYSTEMS, INC IS PROHIBITED.

FLORIDA APPROVAL NO.:
33448



8/15/2023

LUCAS A. TURNER, P.E.
FL PE # 58201
Turner Engineering &
Consulting, Inc.
2428 Old Natchez Trc Trl
Camden, TN 38320
PH. 941-380-1574

SHEET DESCRIPTION:

BOM AND EXTRUSIONS

DRAWN BY:	DATE:
MCS	7/28/2023
DWG #:	REV.:
PEL-340	A
SCALE:	SHEET
1:2	6 OF 8

LINE ITEMS NOT USED:
6, 16, 19-20, 28, 32-33, 37, 44-45, 53

NOTE: ALL ALUMINUM EXTRUSIONS ARE 6063-T6 UNLESS OTHERWISE NOTED.

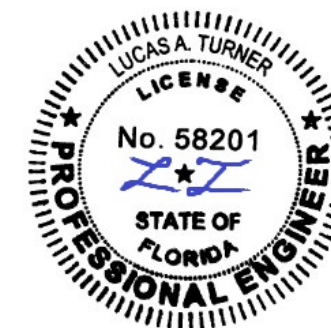


Pella Corporation
102 Main Street
Pella, IA 50219
www.pella.com

520 PVC SLIDING WINDOW NON-IMPACT

PROPRIETARY AND CONFIDENTIAL
THE INFORMATION CONTAINED IN
THIS DRAWING IS THE SOLE
PROPERTY OF CUSTOM WINDOW
SYSTEMS, INC. ANY
REPRODUCTION IN PART OR AS A
WHOLE WITHOUT THE WRITTEN
PERMISSION OF CUSTOM WINDOW
SYSTEMS, INC IS PROHIBITED.

FLORIDA APPROVAL NO.:
33448

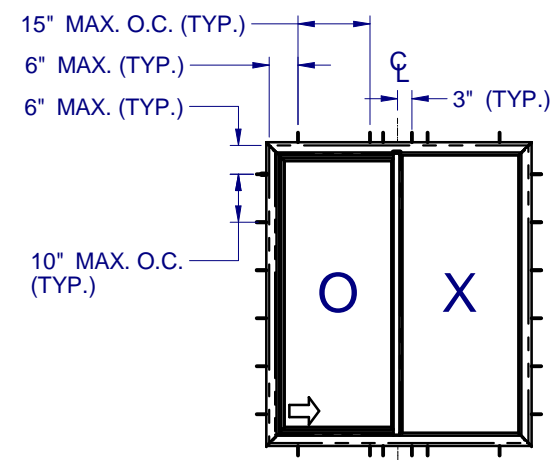


8/15/2023

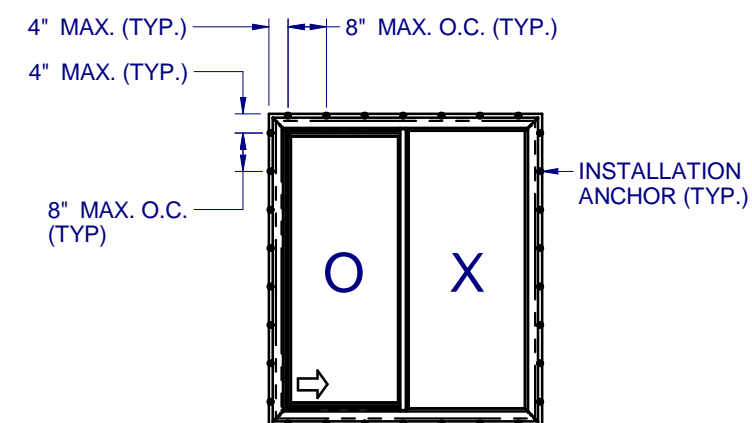
LUCAS A. TURNER, P.E.
FL PE # 58201
Turner Engineering &
Consulting, Inc.
2428 Old Natchez Trc Trl
Camden, TN 38320
PH. 941-380-1574

SHEET DESCRIPTION:
ANCHOR SCHEDULE AND
NOTES

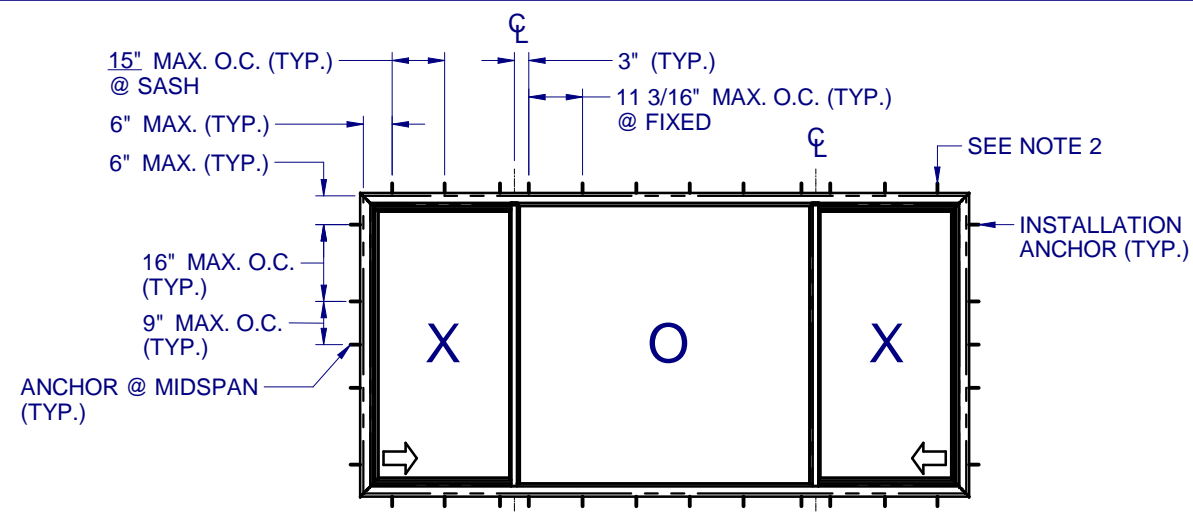
DRAWN BY:	DATE:
MCS	7/28/2023
DWG #:	REV.:
PEL-340	A
SCALE:	SHEET
1:40	7 OF 8



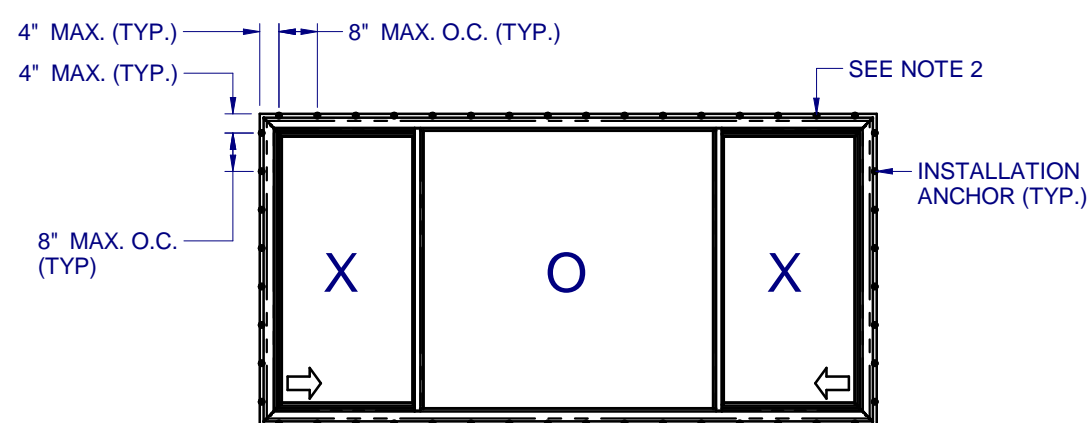
ANCHOR LAYOUT - (FLANGE)



ANCHOR LAYOUT - (FIN)



ANCHOR LAYOUT - (FLANGE)



ANCHOR LAYOUT - (FIN)

NOTES:

1. INSTALL ONE ANCHOR AT EACH INSTALLATION LOCATION. SILL ANCHOR SPACING SAME AS HEAD.
2. SHIM AS REQ AT EACH INSTALLATION ANCHOR USING LOAD BEARING SHIMS. MAX. ALLOWABLE SHIM STACK TO BE 1/4". USE SHIMS WHERE SPACE GREATER THAN 1/16" IS PRESENT. LOAD BEARING SHIMS SHALL BE CONSTRUCTED OF HIGH DENSITY PLASTIC OR BETTER. WOOD SHIMS ARE NOT ALLOWED.
3. ANCHOR TYPE, SIZE, SPACING AND EMBEDMENT SHALL BE AS SPECIFIED IN THESE DRAWINGS, SEE TABLE 1, SHEET 8.
4. ALL INSTALLATION ANCHORS MUST BE MADE OF OR PROTECTED WITH A CORROSION RESISTANT MATERIAL OR COATING. DISSIMILAR METALS OR MATERIALS IN CONTACT WITH PRESSURE TREATED WOOD MUST BE PROTECTED TO PREVENT REACTION.
5. INSTALLATION ANCHORS SHALL BE IN ACCORDANCE WITH ANCHOR MANUFACTURER'S INSTALLATION INSTRUCTIONS, AND ANCHORS SHALL NOT BE USED IN SUBSTRATES WITH STRENGTHS LESS THAN THE MINIMUM SPECIFIED IN TABLE 1, SHEET 8.
6. ANCHOR EMBEDMENT TO SUBSTRATE SHALL BE BEYOND WALL DRESSING OR STUCCO. FOR CONCRETE/CMU OPENINGS, EMBEDMENT SHALL BE BEYOND WOOD BUCKS, IF USED, INTO SUBSTRATE - 1X BUCKS ARE OPTIONAL.
7. A MINIMUM CENTER-TO-CENTER SPACING SHALL BE MAINTAINED BETWEEN ALL FASTENERS: 3" FOR MASONRY, 1" FOR WOOD AND METAL.
8. WOOD OR MASONRY OPENINGS, BUCKS AND BUCK FASTENERS SHALL BE PROPERLY DESIGNED BY THE ARCHITECT OR ENGINEER OF RECORD AND INSTALLED TO TRANSFER WIND LOADS TO THE STRUCTURE. SUBSTRATES SHALL MEET THE MINIMUM STRENGTH REQUIREMENTS AS SHOWN IN TABLE 1, SHEET 8. CONCRETE AND MASONRY SUBSTRATES MAY NOT BE CRACKED.
9. SEALING AND FLASHING STRATEGIES FOR OVERALL WATER RESISTANCE OF INSTALLATION SHALL BE DONE BY OTHERS FOLLOWING THE CURRENT VERSION OF THE REFERENCE DOCUMENTS: FMA/AAMA 100(FIN WINDOWS), FMA/AAMA 200(FLANGE WINDOWS), FMA/WDMA 250(BOX WINDOWS), FMA/AAMA/WDMA 300(EXTERIOR DOORS)

**520 PVC
 SLIDING WINDOW
 NON-IMPACT**

PROPRIETARY AND CONFIDENTIAL
 THE INFORMATION CONTAINED IN THIS DRAWING IS THE SOLE PROPERTY OF CUSTOM WINDOW SYSTEMS, INC. ANY REPRODUCTION IN PART OR AS A WHOLE WITHOUT THE WRITTEN PERMISSION OF CUSTOM WINDOW SYSTEMS, INC IS PROHIBITED.

FLORIDA APPROVAL NO.:
 33448

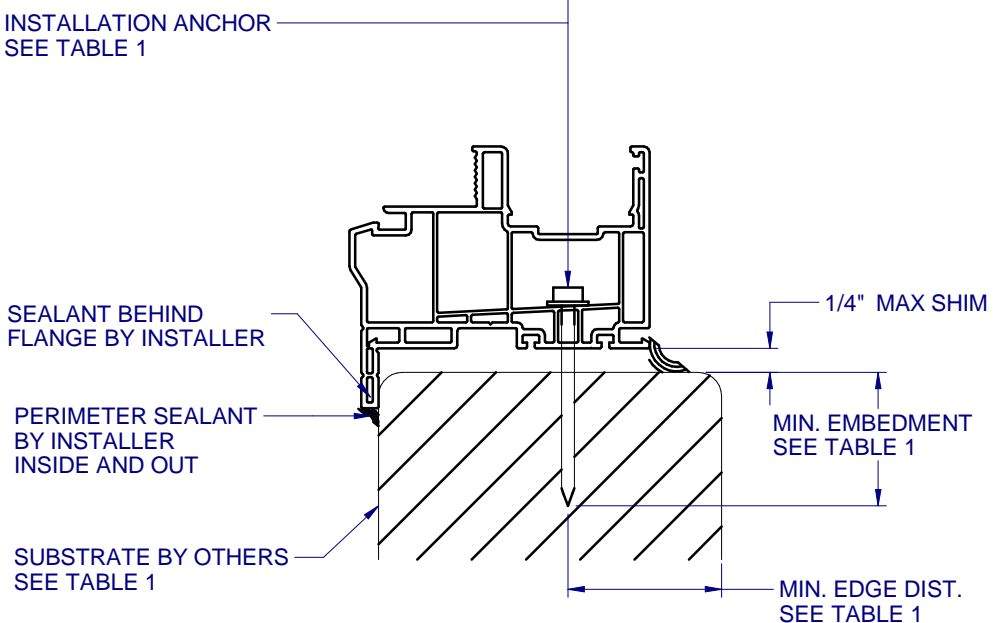
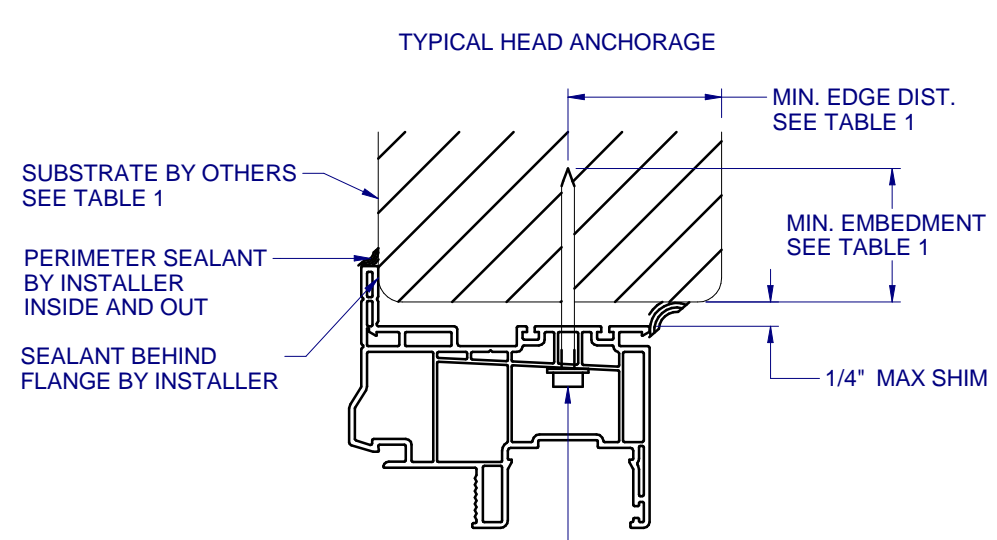


8/15/2023
 LUCAS A. TURNER, P.E.
 FL PE # 58201
 Turner Engineering & Consulting, Inc.
 2428 Old Natchez Trc Trl
 Camden, TN 38320
 PH. 941-380-1574

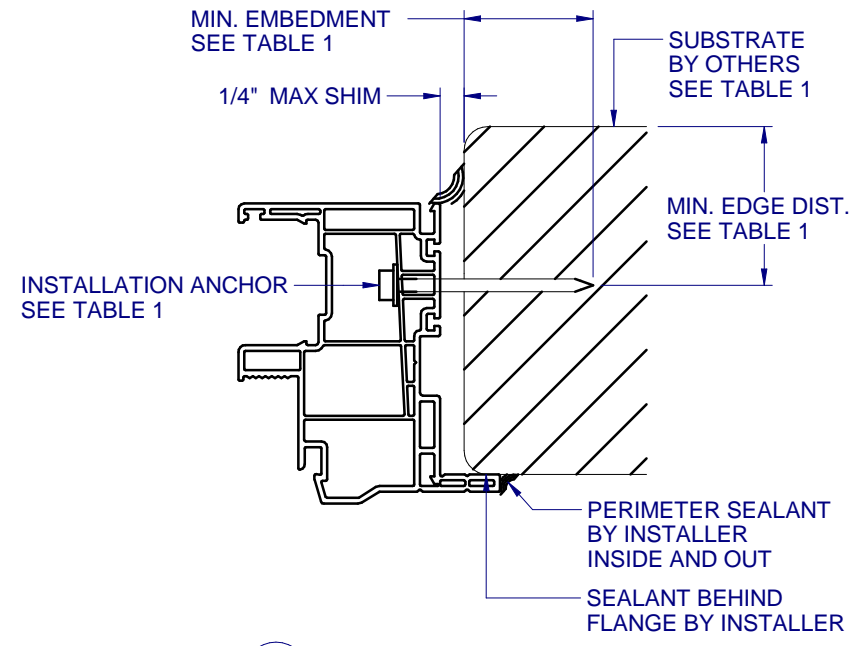
SHEET DESCRIPTION:

INSTALLATION DETAILS

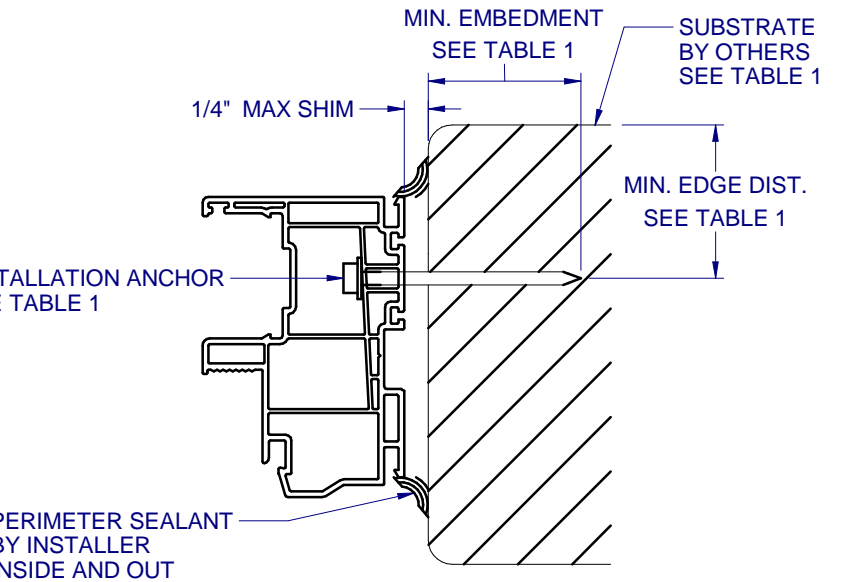
DRAWN BY:	DATE:
MCS	7/28/2023
DWG #:	REV.:
PEL-340	A
SCALE:	SHEET
1:2	8 OF 8



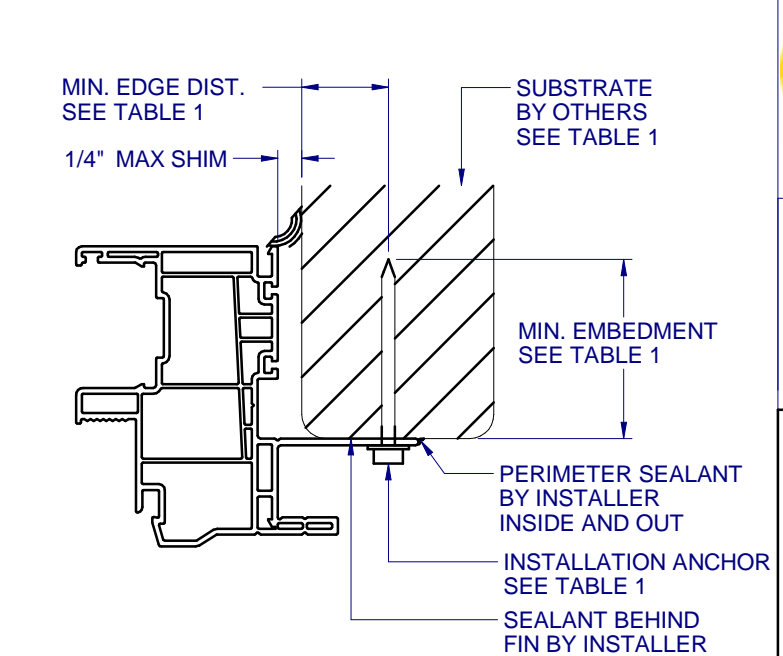
A VERTICAL SECTION
8 TYPICAL SILL ANCHORAGE



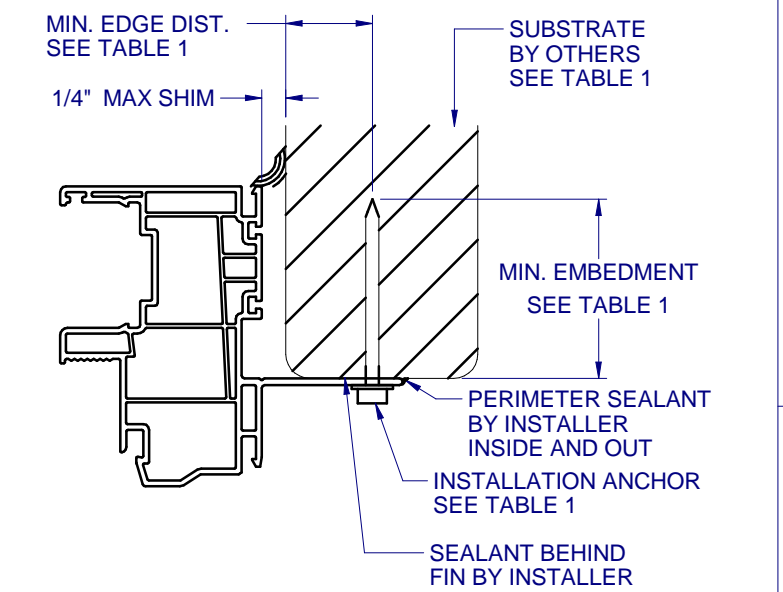
B HORIZONTAL SECTION
8 TYPICAL JAMB ANCHORAGE



D HORIZONTAL SECTION
8 BOX FRAME INSTALLATION
 HEAD AND SILL SIMILAR FOR BOX INSTALLATION



C HORIZONTAL SECTION
8 TYPICAL FIN/FLANGE ANCHORAGE
 HEAD AND SILL SIMILAR FOR FIN/FLANGE INSTALLATION



E HORIZONTAL SECTION
8 FIN FRAME INSTALLATION
 HEAD AND SILL SIMILAR FOR FIN INSTALLATION

FRAME TYPE	SUBSTRATE TYPE	ANCHOR TYPE	MIN. EMBEDMENT	MIN. EDGE DIST.
FLANGE	CONCRETE (2.0 KSI MIN.)	3/16" ITW TAPCON	1-1/2"	1-1/8"
FLANGE	HOLLOW OR GROUT-FILLED CMU (117 PCF MIN.)	3/16" ITW TAPCON	1"	2"
FLANGE	CONCRETE (3.05 KSI MIN.)	3/16" DEWALT ULTRACON+	1-3/4"	1"
FLANGE	HOLLOW OR GROUT-FILLED CMU (ASTM C-90)	3/16" DEWALT ULTRACON+	1-1/4"	2-1/2"
FLANGE	2X MIN. SOUTHERN PINE (G=0.55)	3/16" ITW TAPCON OR DEWALT ULTRACON+	1-3/8"	7/8"
FLANGE	2X MIN. SOUTHERN PINE (G=0.55)	#10 WOOD SCREW	1-3/8"	7/8"
FLANGE	16 GAUGE (0.060") MIN. STEEL STUD (33 KSI YIELD MIN)	#10-16 HILTI KWIK-FLEX OR ITW TEKS SELF-DRILLING SCREW	FULL THREAD THRU 0.060"	7/16"
FLANGE	1/8" ALUM. (6063-T5 MIN.) OR 1/8" STEEL (33 KSI MIN.)	#10 GRADE 5 SELF-TAPPING / DRILLING SCREW	FULL THREAD THRU 0.125"	7/16"
FIN	2X MIN. SOUTHERN PINE (G=0.55)	#8 WOOD SCREW	1-1/2"	7/16"

FLANGE REMOVAL NOTE: PARTIALLY OR FULLY REMOVING THE FLANGE, UP TO AND INCLUDING A BOX-FRAME APPLICATION IS ACCEPTABLE PROVIDED:

- MIN. 1/4" FILLET OF CONSTRUCTION-GRADE ADHESIVE CAULK IS APPLIED INSIDE AND OUT, FULL PERIMETER, BY INSTALLER.
- PRODUCT ANCHORAGE IS IN ACCORDANCE WITH REQUIREMENTS AS SHOWN FOR FLANGE WINDOWS.