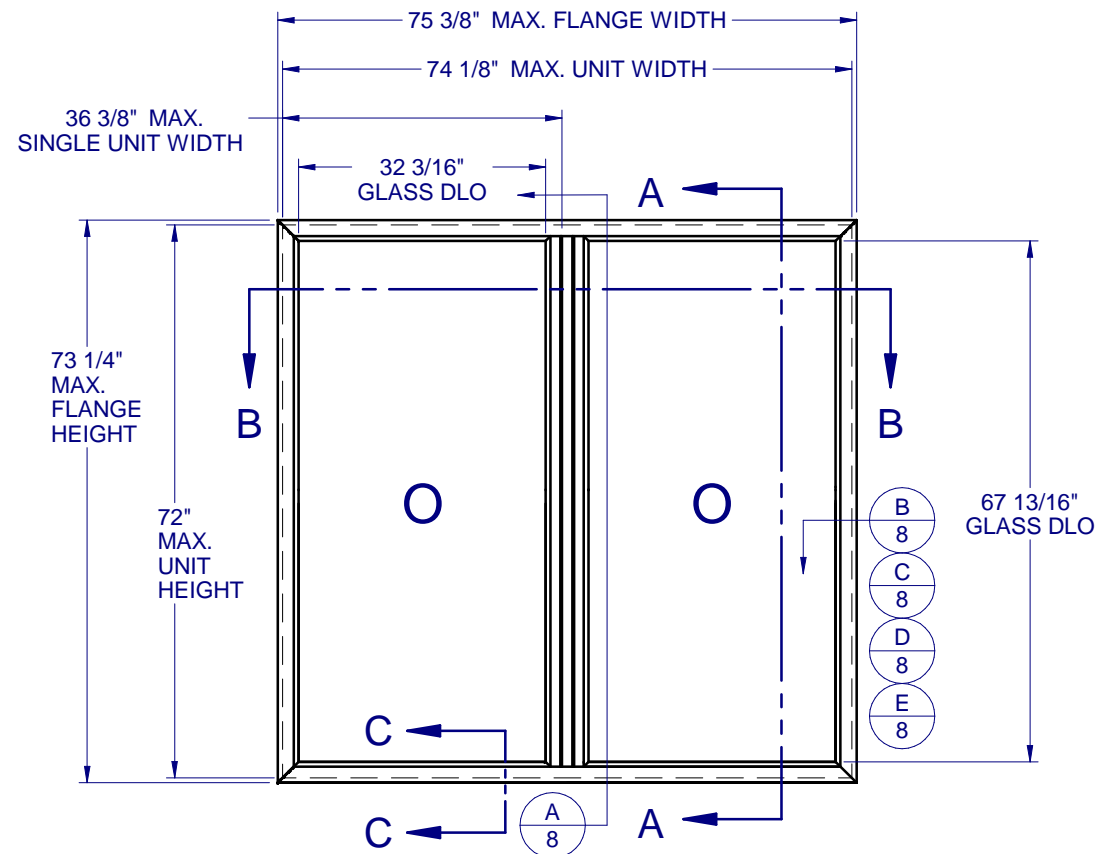
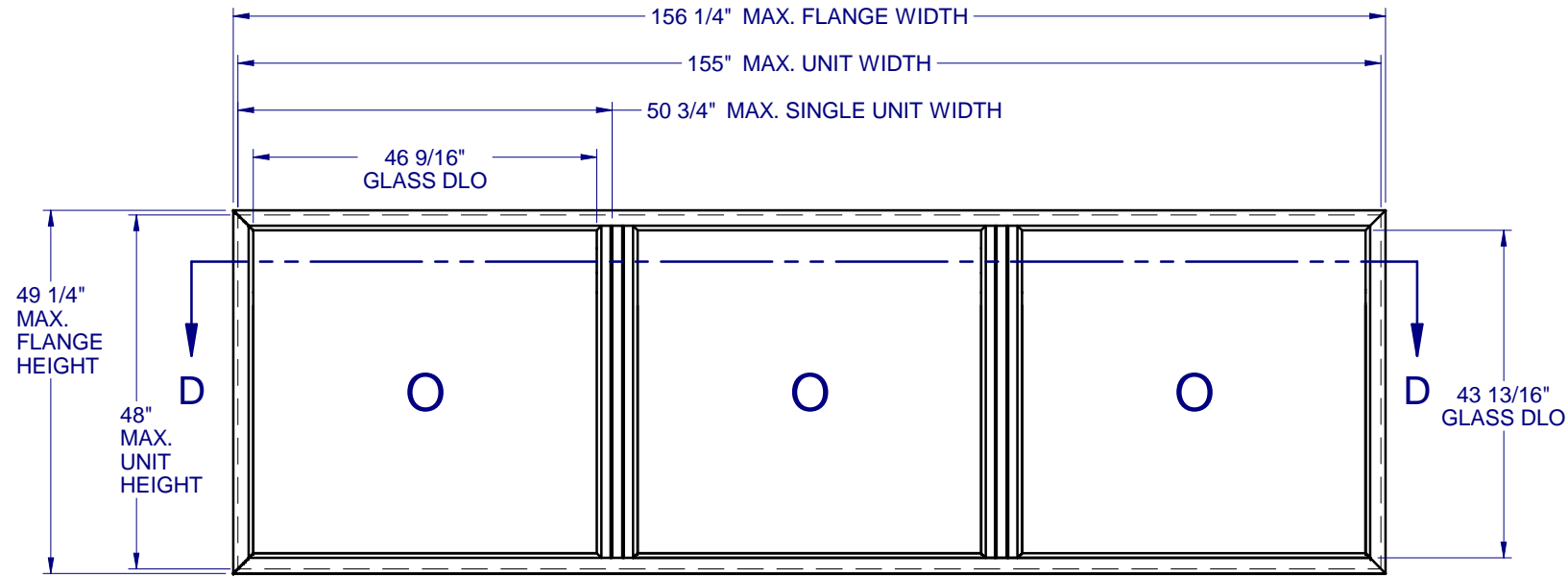


# PICTURE WINDOW - NON-IMPACT



### TABLE OF CONTENTS

- GENERAL NOTES & ELEVATIONS.....1
- GLAZING DETAILS.....2
- COMPARATIVE ANALYSIS.....3
- SECTION VIEWS.....4
- DP CHART, BOM & EXTRUSIONS.....5
- ANCHOR SCHEDULE & NOTES.....6-7
- INSTALLATION DETAILS.....8

CONFIG.	MAX. UNIT SIZE	DESIGN PRESSURE RATING	IMPACT RATING
O/O	74-1/8" x 72"	SEE COMPARATIVE ANALYSIS CHARTS, SHEET 3	NONE
O/O/O	155" x 48"		NONE

### GENERAL NOTES:

1. THE PRODUCT SHOWN HEREIN IS DESIGNED AND MANUFACTURED TO COMPLY WITH THE FLORIDA BUILDING CODE (FBC), CURRENT EDITION.
2. GLAZING OPTIONS: (SEE SHEET 2)
3. CONFIGURATIONS: "O/O", "O/O/O".
4. DESIGN PRESSURE RATING (SEE SHEET 3):  
 -NEGATIVE DESIGN LOADS BASED ON, TESTED PRESSURE AND GLASS TABLES ASTM E-1300-04e01/09.  
 -POSITIVE DESIGN LOADS BASED ON, TESTED PRESSURE, WATER INFILTRATION TEST PRESSURE AND GLASS TABLES ASTM E-1300-04e01/09.
5. ANCHORAGE: THE 33 1/3% STRESS INCREASE HAS NOT BEEN USED IN THE DESIGN OF THIS PRODUCT. SEE SHEET 8 FOR ANCHOR DETAILS. WINDLOAD DURATION FACTOR Cd=1.6 WAS USED FOR WOOD ANCHOR CALCULATIONS.
6. NOT APPROVED FOR IMPACT RESISTANCE. IMPACT PROTECTIVE SYSTEM IS REQUIRED IN WIND BORNE DEBRIS REGION.
7. ALL FRAMES FULLY WELDED. SMALL JOINT SEAM SEALANT USED AT INTERNAL MULL.
8. SERIES / MODEL DESIGNATION PW-8150 CONTINUOUS FRAME.
9. THE DESIGNATION X AND O STAND FOR THE FOLLOWING:  
 O = FIXED SASH
10. SECTION CALLOUTS APPLY TO ALL ELEVATIONS IN A SIMILAR LOCATION.



## 515 PVC FIXED WINDOW NON-IMPACT

PROPRIETARY AND CONFIDENTIAL  
 THE INFORMATION CONTAINED IN THIS DRAWING IS THE SOLE PROPERTY OF CUSTOM WINDOW SYSTEMS, INC. ANY REPRODUCTION IN PART OR AS A WHOLE WITHOUT THE WRITTEN PERMISSION OF CUSTOM WINDOW SYSTEMS, INC IS PROHIBITED.

FLORIDA APPROVAL NO.:  
33453



8/15/2023

LUCAS A. TURNER, P.E.  
 FL PE # 58201  
 Turner Engineering & Consulting, Inc.  
 2428 Old Natchez Trc Trl  
 Camden, TN 38320  
 PH. 941-380-1574

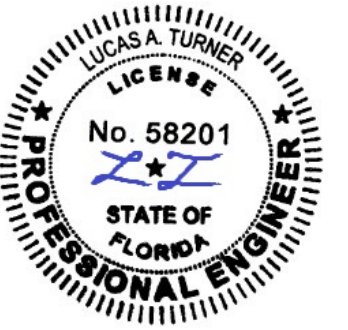
SHEET DESCRIPTION:  
**GENERAL NOTES AND ELEVATIONS**

DRAWN BY: MCS	DATE: 8/9/2023
DWG #: PEL-511	REV.: A
SCALE: 1:25	SHEET 1 OF 8

**515 PVC  
 FIXED WINDOW  
 NON-IMPACT**

PROPRIETARY AND CONFIDENTIAL  
 THE INFORMATION CONTAINED IN  
 THIS DRAWING IS THE SOLE  
 PROPERTY OF CUSTOM WINDOW  
 SYSTEMS, INC. ANY  
 REPRODUCTION IN PART OR AS A  
 WHOLE WITHOUT THE WRITTEN  
 PERMISSION OF CUSTOM WINDOW  
 SYSTEMS, INC IS PROHIBITED.

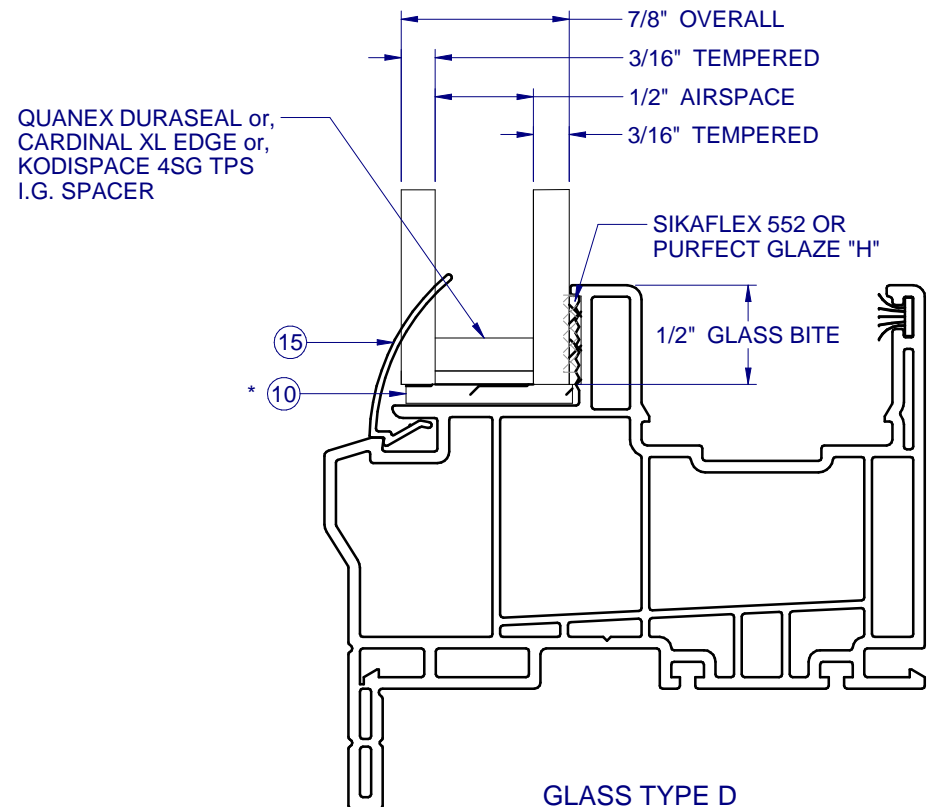
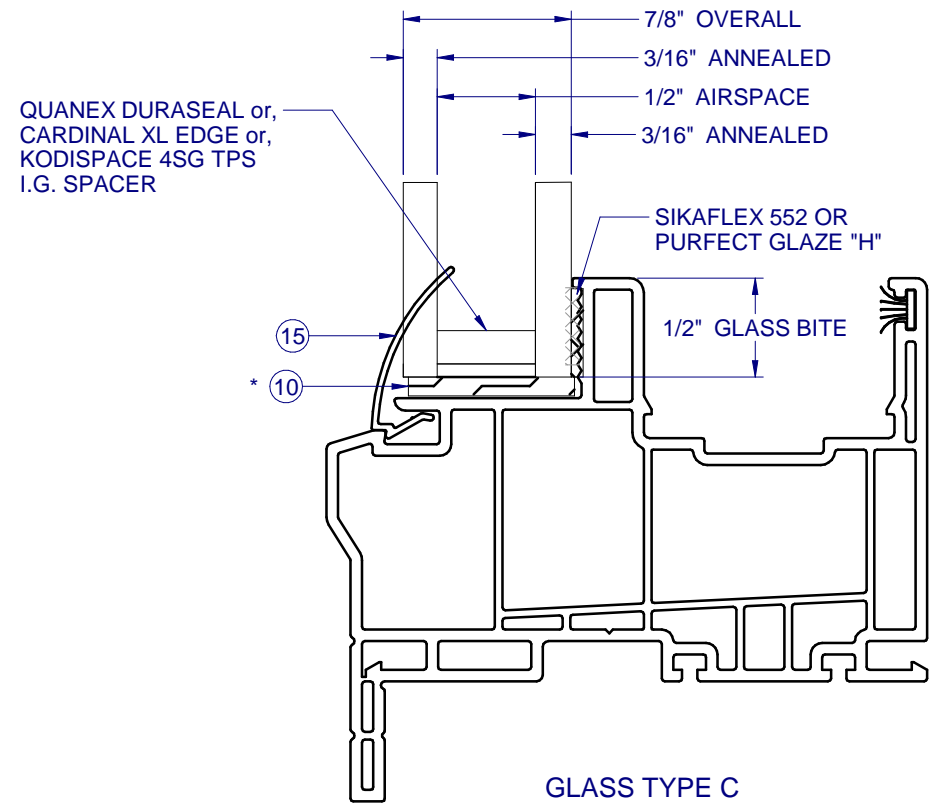
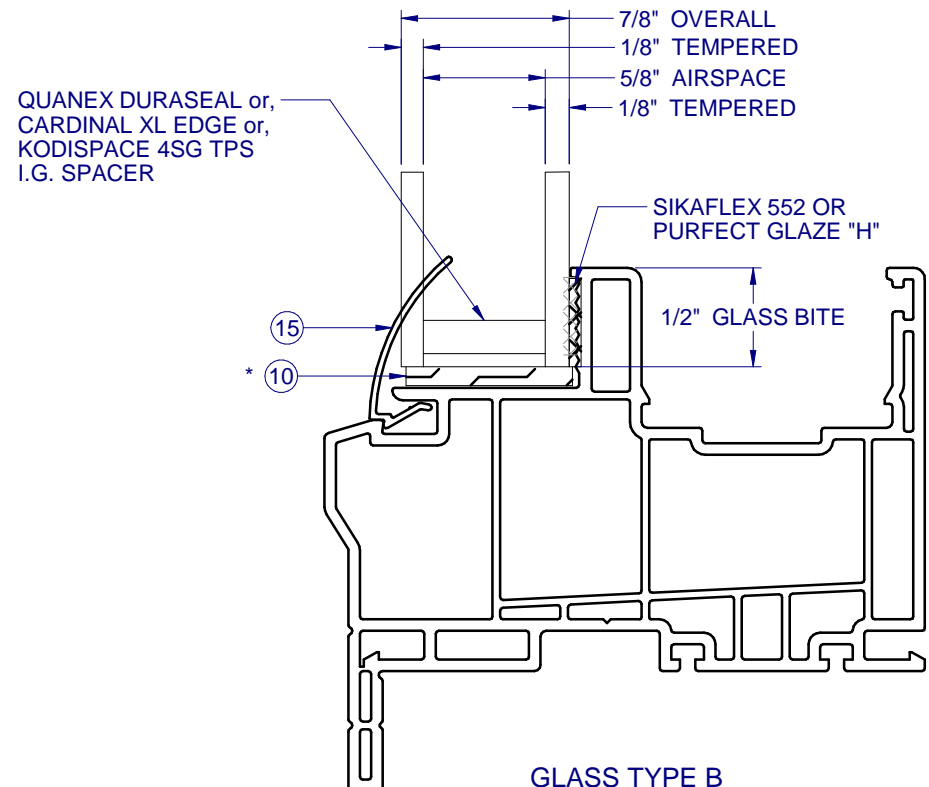
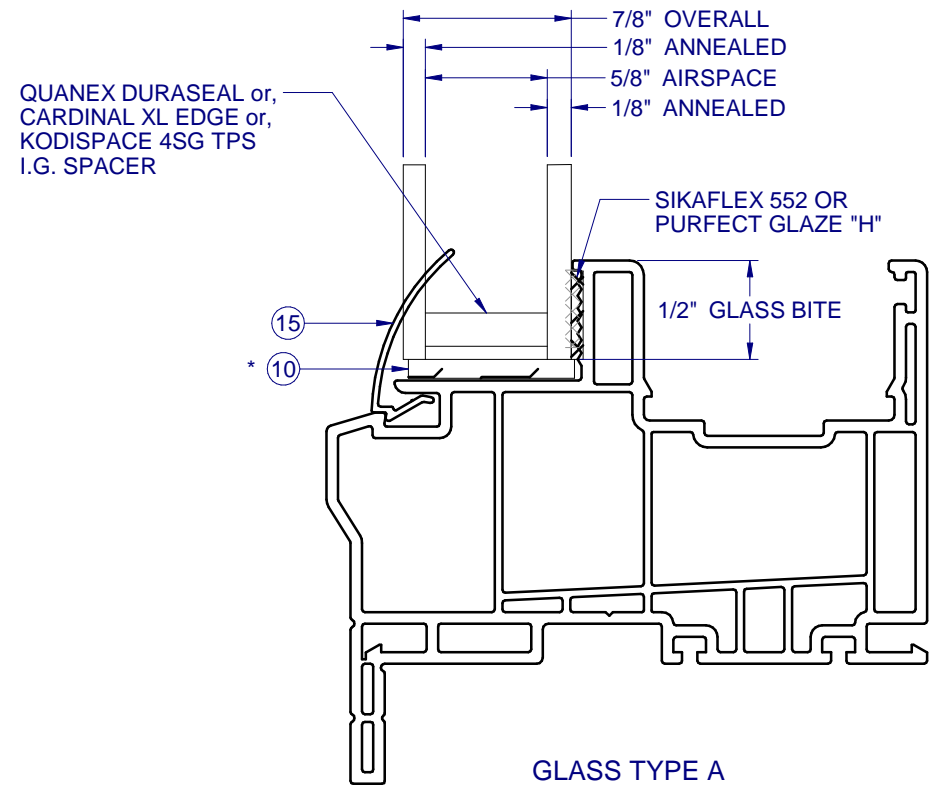
FLORIDA APPROVAL NO.:  
 33453



8/15/2023  
 LUCAS A. TURNER, P.E.  
 FL PE # 58201  
 Turner Engineering &  
 Consulting, Inc.  
 2428 Old Natchez Trc Trl  
 Camden, TN 38320  
 PH. 941-380-1574

SHEET DESCRIPTION:  
**GLAZING DETAILS**

DRAWN BY: MCS	DATE: 8/9/2023
DWG #: PEL-511	REV.: A
SCALE: 1:1	SHEET 2 OF 8



Design Pressures (PSF) for "O/O" Configuration with Glass Types A, B, C, or D														
UNIT WIDTH	GLASS TYPE	UNIT HEIGHT (IN.)												
		27 1/2	29 1/2	31 1/2	35 1/2	39 1/2	41 1/2	43 1/2	47 1/2	51 1/2	53 1/2	55 1/2	59 1/2	72
48 3/8	A	±101.3	±101.3	±101.3	±101.3	±101.3	±101.3	±101.3	±95.7	±85.7	±76.5	±73	±70.5	
	B, C, D	±101.3	±101.3	±101.3	±101.3	±101.3	±101.3	±101.3	±101.3	±101.3	±101.3	±101.3	±101.3	±101.3
56 3/8	A	±101.3	±101.3	±101.3	±101.3	±101.3	±100.6	±93.6	±84.5	±74.8	±71.4	±68		
	B, C, D	±101.3	±101.3	±101.3	±101.3	±101.3	±101.3	±101.3	±101.3	±101.3	±101.3	±101.3	±101.3	±101.3
60 3/8	A	±101.3	±101.3	±101.3	±101.3	±101.3	±98.3	±92.6	±83.5	±74.8	±71.4	±68.3		
	B, C, D	±101.3	±101.3	±101.3	±101.3	±101.3	±101.3	±101.3	±101.3	±101.3	±101.3	±101.3	±101.3	±99.8
64 3/8	A	±91.4	±90.1	±89.5	±89.5	±89.5	±89.5	±89.5	±81.8	±74.2	±71.1	±68		
	B, C, D	±91.4	±90.1	±89.5	±89.5	±89.5	±89.5	±89.5	±89.5	±89.5	±89.5	±89.5	±89.5	±89.5
74 1/8	A	±72.3	±70.4	±69.1	±67.6	±67.5	±67.5	±67.5	±67.5	±67.5				
	B, C, D	±72.3	±70.4	±69.1	±67.6	±67.5	±67.5	±67.5	±67.5	±67.5	±67.5	±67.5	±67.5	±67.5

Design Pressures (PSF) for "O/O/O" Configuration with Glass Types C or D														
WIDTH (IN.)	GLASS TYPE	UNIT HEIGHT (IN.)												
		24	26	28	30	32	34	36	38	40	42	44	46	48
116 3/8	C or D	±60	±60	±60	±60	±60	±60	±60	±60	±57.7	±52.6	±48.3	±44.7	±41.5
128 3/8	C or D	±60	±60	±60	±60	±60	±60	±59.5	±58.8	±57.6	±52.2	±47.6	±43.8	±40.5
134 3/8	C or D	±60	±60	±60	±59.4	±57.7	±56.2	±55.1	±54.2	±53.6	±52.2	±47.6	±43.6	±40.2
140 3/8	C or D	±60	±60	±57.9	±55.7	±53.9	±52.4	±51.2	±50.3	±49.6	±49	±47.6	±43.6	±40
155	C or D	±55.8	±52.8	±50.4	±48.3	±46.5	±45.1	±43.8	±42.8	±41.9	±41.2	±40.7	±40.3	±40

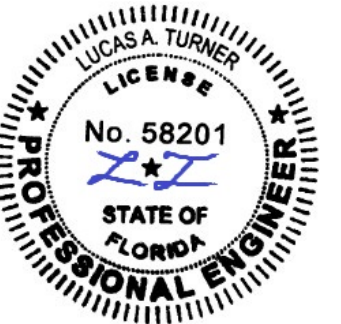
NOTES:  
1. IF SIZE INTENDED IS NOT SHOWN, USE NEXT LARGER SIZE.  
2. SHADED SIZES ARE NOT ALLOWED FOR THAT GLASS TYPE.



**515 PVC  
FIXED WINDOW  
NON-IMPACT**

PROPRIETARY AND CONFIDENTIAL  
THE INFORMATION CONTAINED IN THIS DRAWING IS THE SOLE PROPERTY OF CUSTOM WINDOW SYSTEMS, INC. ANY REPRODUCTION IN PART OR AS A WHOLE WITHOUT THE WRITTEN PERMISSION OF CUSTOM WINDOW SYSTEMS, INC IS PROHIBITED.

FLORIDA APPROVAL NO.:  
33453



8/15/2023

LUCAS A. TURNER, P.E.  
FL PE # 58201  
Turner Engineering & Consulting, Inc.  
2428 Old Natchez Trc Trl  
Camden, TN 38320  
PH. 941-380-1574

SHEET DESCRIPTION:

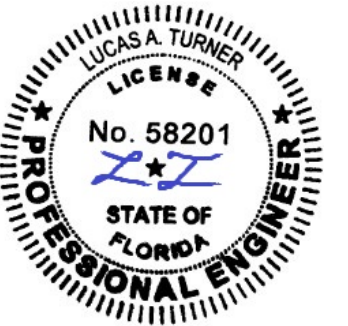
COMPARATIVE ANALYSIS

DRAWN BY: MCS	DATE: 8/9/2023
DWG #: PEL-511	REV.: A
SCALE: 1:1	SHEET 3 OF 8

**515 PVC  
 FIXED WINDOW  
 NON-IMPACT**

PROPRIETARY AND CONFIDENTIAL  
 THE INFORMATION CONTAINED IN  
 THIS DRAWING IS THE SOLE  
 PROPERTY OF CUSTOM WINDOW  
 SYSTEMS, INC. ANY  
 REPRODUCTION IN PART OR AS A  
 WHOLE WITHOUT THE WRITTEN  
 PERMISSION OF CUSTOM WINDOW  
 SYSTEMS, INC IS PROHIBITED.

FLORIDA APPROVAL NO.:  
 33453



8/15/2023

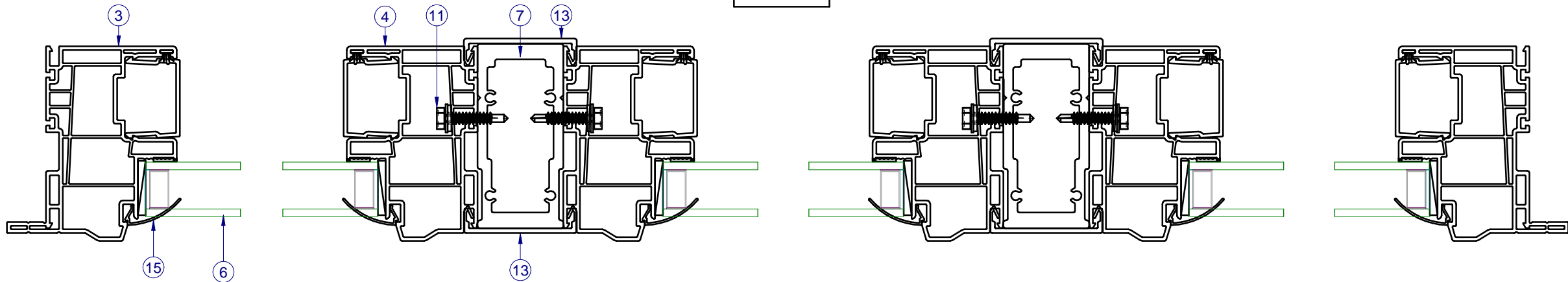
LUCAS A. TURNER, P.E.  
 FL PE # 58201  
 Turner Engineering &  
 Consulting, Inc.  
 2428 Old Natchez Trc Trl  
 Camden, TN 38320  
 PH. 941-380-1574

SHEET DESCRIPTION:

**SECTION VIEWS**

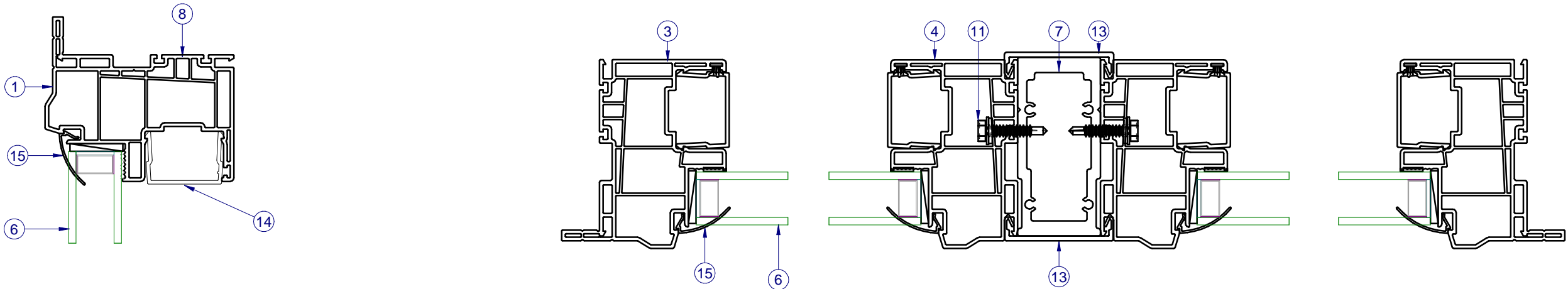
DRAWN BY:	DATE:
MCS	8/9/2023
DWG #:	REV.:
PEL-511	A
SCALE:	SHEET
1:2	4 OF 8

INTERIOR



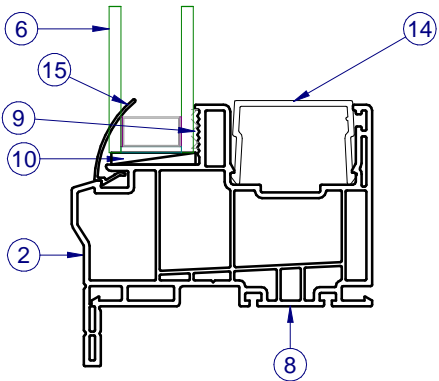
SECTION VIEW D-D

INTERIOR

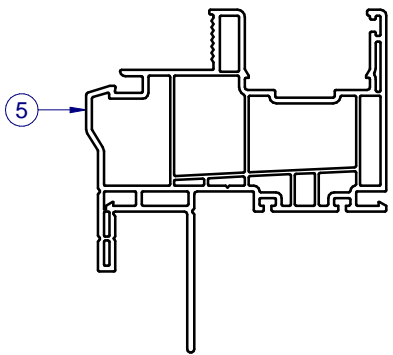


SECTION VIEW B-B

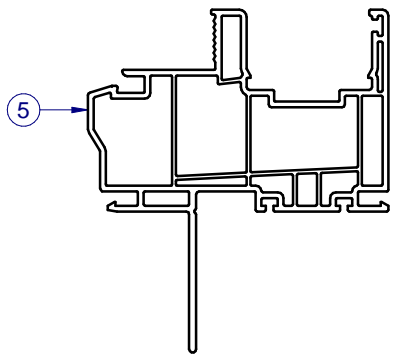
INTERIOR



SECTION VIEW A-A

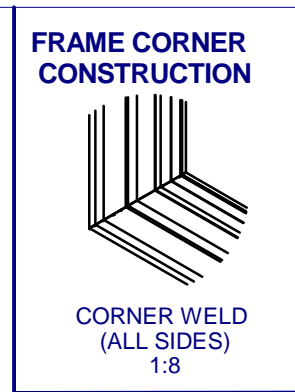
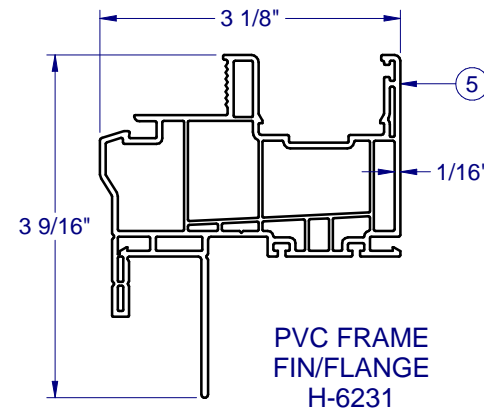
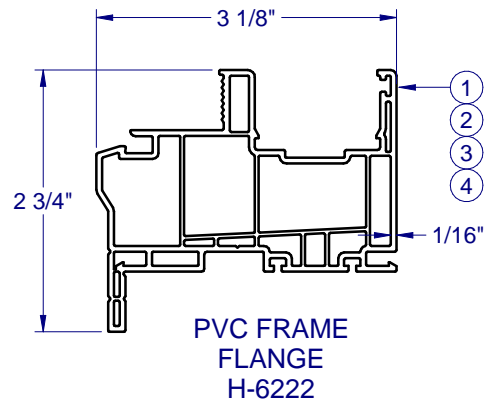


SECTION VIEW C-C  
 ALTERNATE FIN FRAME



SECTION VIEW C-C  
 ALTERNATE FIN ONLY FRAME

PARTS LIST			
ITEM	PART #	DESCRIPTION	MATERIAL
1	H-6222	FRAME W/ FLANGE -SH	PVC
2	H-6222	FRAME W/ FLANGE -SH	PVC
3	H-6222	FRAME W/ FLANGE -SH	PVC
4	H-6222	FRAME W/ FLANGE -SH	PVC
5	H-6231	FRAME W/ FIN & FLANGE	PVC
6	GLASS	SEE SHEET 2	
7	H-2127	MULL BAR, 3"	Alum
9	P-3438	PURFECT GLAZE "H" OR SIKAFLEX 552	
10	P-5612	Setting Block, .12 x 1 x 2	Rubber
11	P-4969	#10 x 1 Hex Head Tek	Steel
12	P-4638	#8 x 2 1/2 Ph Modified Truss Type A	Steel
13	S-6018	MULL COVER- 3"	PVC
14	S-6025	SASH STOP	PVC
15	S-6237	GLAZING BEAD	PVC
16		#10 x 1 1/2" Panhead SMS	Steel
17		Flat Washer	Steel
18		LABEL, 9X9 CWS LOGO LABEL	
19		NFRC LABEL, BLANK 4 X 8	



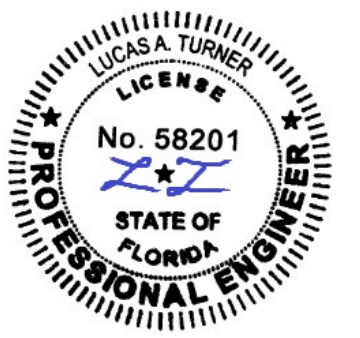
Pella Corporation  
102 Main Street  
Pella, IA 50219  
www.pella.com

**515 PVC FIXED WINDOW NON-IMPACT**

PROPRIETARY AND CONFIDENTIAL

THE INFORMATION CONTAINED IN THIS DRAWING IS THE SOLE PROPERTY OF CUSTOM WINDOW SYSTEMS, INC. ANY REPRODUCTION IN PART OR AS A WHOLE WITHOUT THE WRITTEN PERMISSION OF CUSTOM WINDOW SYSTEMS, INC IS PROHIBITED.

FLORIDA APPROVAL NO.: 33453

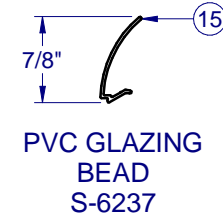
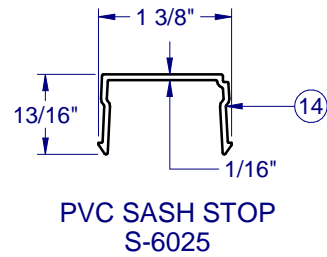
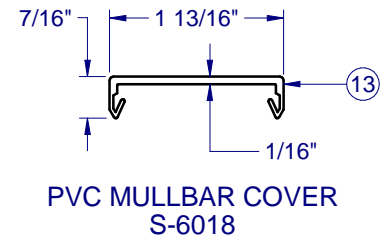
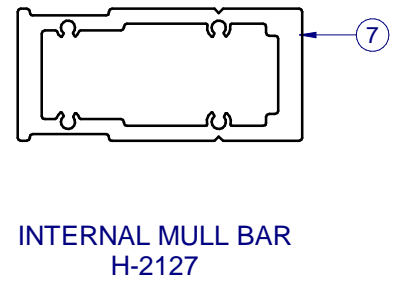


8/15/2023

LUCAS A. TURNER, P.E.  
FL PE # 58201  
Turner Engineering & Consulting, Inc.  
2428 Old Natchez Trc Trl  
Camden, TN 38320  
PH. 941-380-1574

SHEET DESCRIPTION:  
**DP CHART, BOM AND EXTRUSIONS**

DRAWN BY: MCS	DATE: 8/9/2023
DWG #: PEL-511	REV.: A
SCALE: 1:2	SHEET 5 OF 8

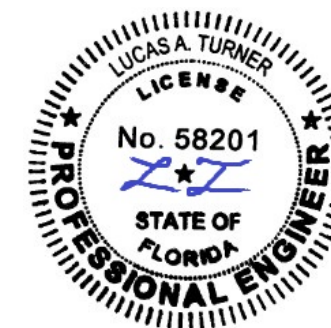


NOTE: ALL ALUMINUM EXTRUSIONS ARE 6063-T6 UNLESS OTHERWISE NOTED.

**515 PVC  
FIXED WINDOW  
NON-IMPACT**

PROPRIETARY AND CONFIDENTIAL  
THE INFORMATION CONTAINED IN THIS DRAWING IS THE SOLE PROPERTY OF CUSTOM WINDOW SYSTEMS, INC. ANY REPRODUCTION IN PART OR AS A WHOLE WITHOUT THE WRITTEN PERMISSION OF CUSTOM WINDOW SYSTEMS, INC IS PROHIBITED.

FLORIDA APPROVAL NO.:  
33453

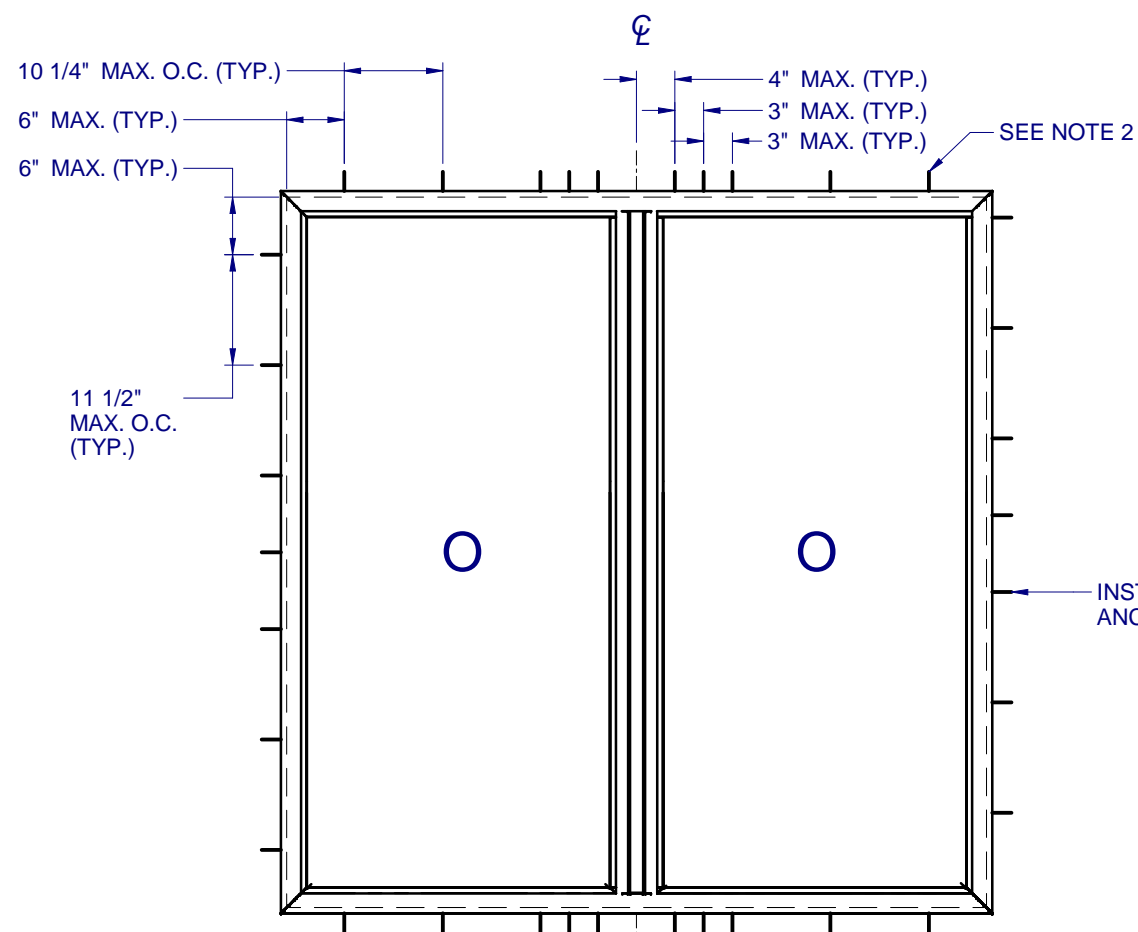


8/15/2023

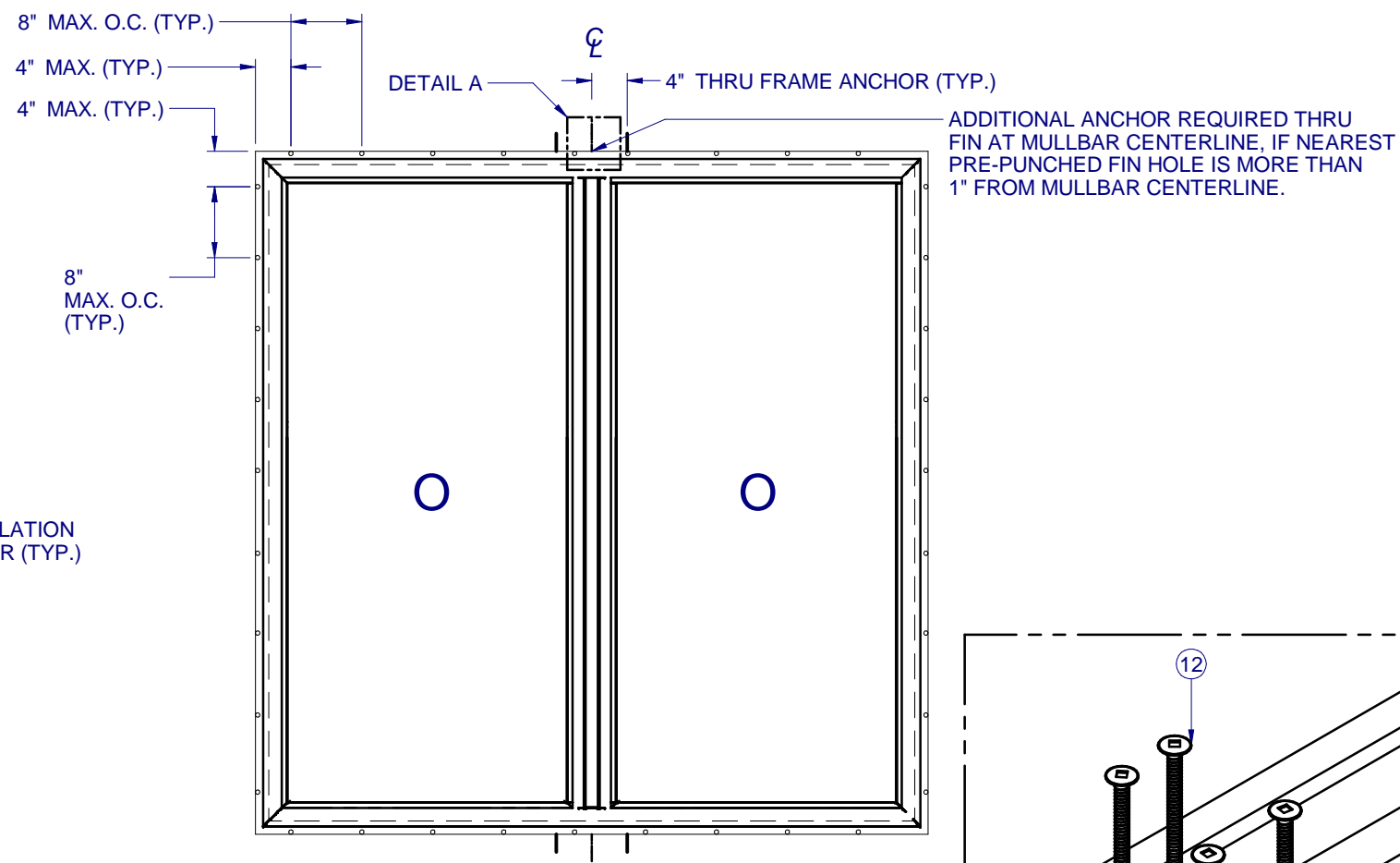
LUCAS A. TURNER, P.E.  
FL PE # 58201  
Turner Engineering & Consulting, Inc.  
2428 Old Natchez Trc Trl  
Camden, TN 38320  
PH. 941-380-1574

SHEET DESCRIPTION:  
**ANCHOR SCHEDULE AND NOTES**  
O/O

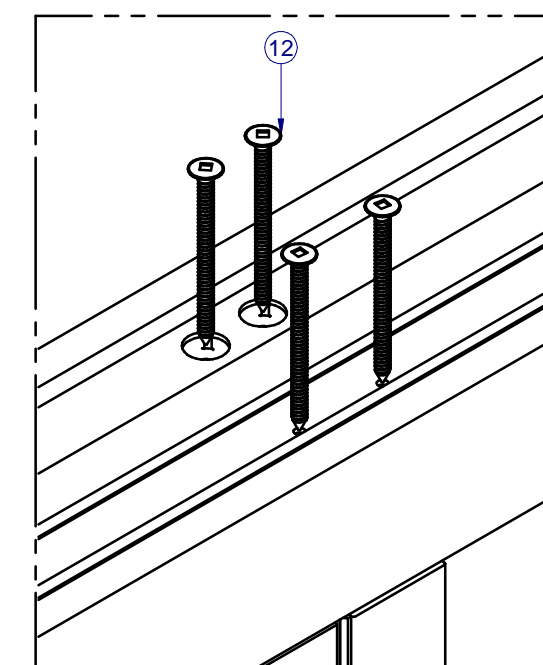
DRAWN BY: MCS	DATE: 8/9/2023
DWG #: PEL-511	REV.: A
SCALE: 1:20	SHEET 6 OF 8



ANCHOR LAYOUT - (FLANGE)



ANCHOR LAYOUT - (FIN)



DETAIL A  
INTERNAL MULL ATTACHMENT

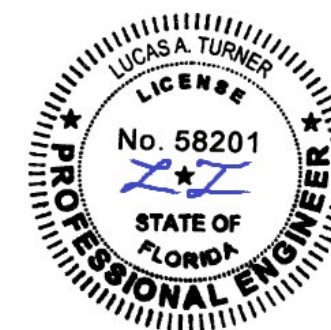
NOTES:

1. INSTALL ONE ANCHOR AT EACH INSTALLATION LOCATION. SILL ANCHOR SPACING SAME AS HEAD. SEAL CORNERS AND INTERNAL MULL WITH SMALL JOINT SEAM SEALANT.
2. SHIM AS REQ AT EACH INSTALLATION ANCHOR USING LOAD BEARING SHIMS. MAX. ALLOWABLE SHIM STACK TO BE 1/4". USE SHIMS WHERE SPACE GREATER THAN 1/16" IS PRESENT. LOAD BEARING SHIMS SHALL BE CONSTRUCTED OF HIGH DENSITY PLASTIC OR BETTER. WOOD SHIMS ARE NOT ALLOWED.
3. ANCHOR TYPE, SIZE, SPACING AND EMBEDMENT SHALL BE AS SPECIFIED IN THESE DRAWINGS, SEE TABLE 1, SHEET 8.
4. ALL INSTALLATION ANCHORS MUST BE MADE OF OR PROTECTED WITH A CORROSION RESISTANT MATERIAL OR COATING. DISSIMILAR METALS OR MATERIALS IN CONTACT WITH PRESSURE TREATED WOOD MUST BE PROTECTED TO PREVENT REACTION.
5. INSTALLATION ANCHORS SHALL BE IN ACCORDANCE WITH ANCHOR MANUFACTURER'S INSTALLATION INSTRUCTIONS, AND ANCHORS SHALL NOT BE USED IN SUBSTRATES WITH STRENGTHS LESS THAN THE MINIMUM SPECIFIED IN TABLE 1, SHEET 8.
6. ANCHOR EMBEDMENT TO SUBSTRATE SHALL BE BEYOND WALL DRESSING OR STUCCO. FOR CONCRETE/CMU OPENINGS, EMBEDMENT SHALL BE BEYOND WOOD BUCKS, IF USED, INTO SUBSTRATE - 1X BUCKS ARE OPTIONAL.
7. A MINIMUM CENTER-TO-CENTER SPACING SHALL BE MAINTAINED BETWEEN ALL FASTENERS: 3" FOR MASONRY, 1" FOR WOOD AND METAL.
8. WOOD OR MASONRY OPENINGS, BUCKS AND BUCK FASTENERS SHALL BE PROPERLY DESIGNED BY THE ARCHITECT OR ENGINEER OF RECORD AND INSTALLED TO TRANSFER WIND LOADS TO THE STRUCTURE. SUBSTRATES SHALL MEET THE MINIMUM STRENGTH REQUIREMENTS AS SHOWN IN TABLE1, SHEET 8. CONCRETE AND MASONRY SUBSTRATES MAY NOT BE CRACKED.
9. SEALING AND FLASHING STRATEGIES FOR OVERALL WATER RESISTANCE OF INSTALLATION SHALL BE DONE BY OTHERS FOLLOWING THE CURRENT VERSION OF THE REFERENCE DOCUMENTS:  
FMA/AAMA 100(FIN WINDOWS), FMA/AAMA 200(FLANGE WINDOWS), FMA/WDMA 250(BOX WINDOWS), FMA/AAMA/WDMA 300(EXTERIOR DOORS)

**515 PVC  
 FIXED WINDOW  
 NON-IMPACT**

PROPRIETARY AND CONFIDENTIAL  
 THE INFORMATION CONTAINED IN  
 THIS DRAWING IS THE SOLE  
 PROPERTY OF CUSTOM WINDOW  
 SYSTEMS, INC. ANY  
 REPRODUCTION IN PART OR AS A  
 WHOLE WITHOUT THE WRITTEN  
 PERMISSION OF CUSTOM WINDOW  
 SYSTEMS, INC IS PROHIBITED.

FLORIDA APPROVAL NO.:  
 33453

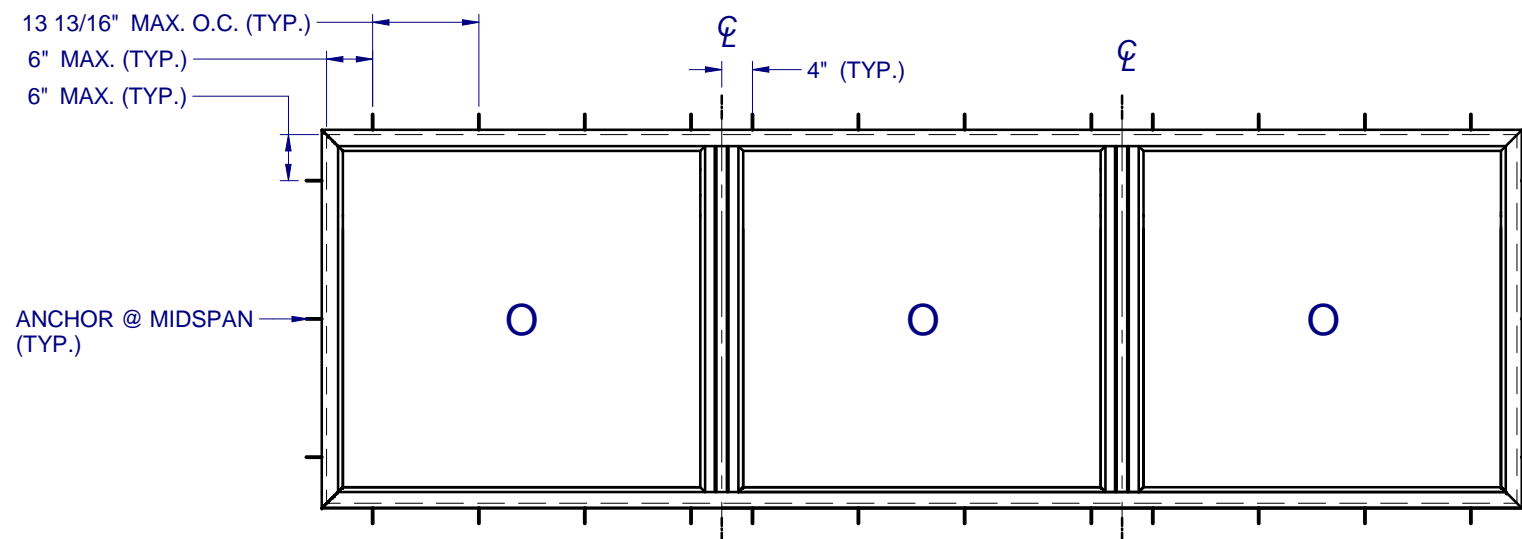


8/15/2023

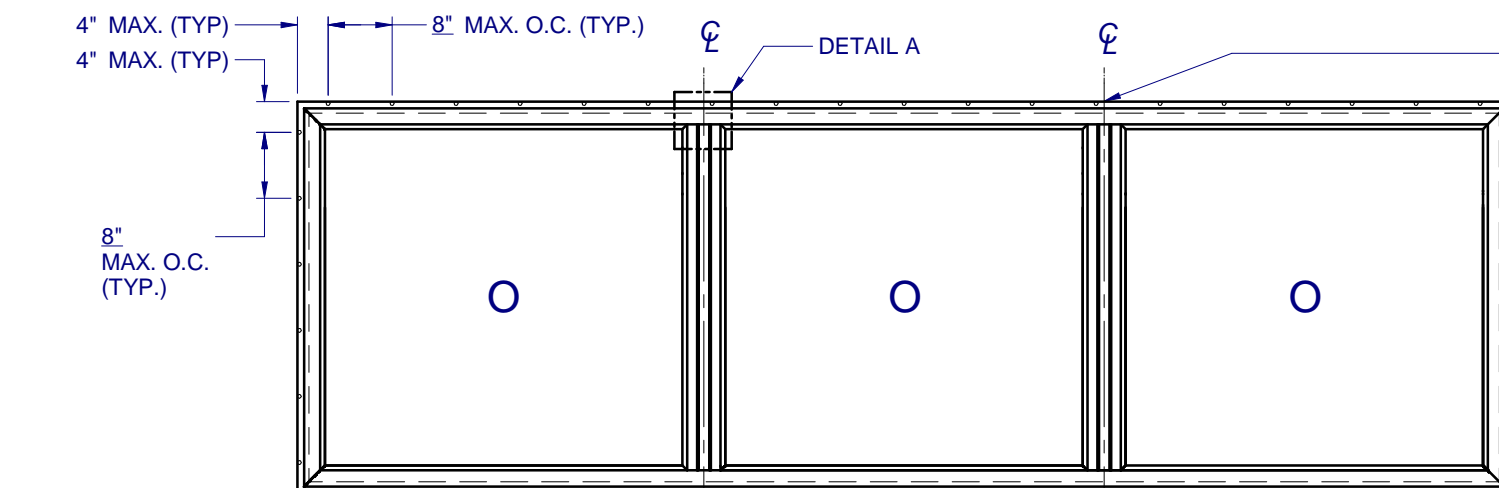
LUCAS A. TURNER, P.E.  
 FL PE # 58201  
 Turner Engineering &  
 Consulting, Inc.  
 2428 Old Natchez Trc Trl  
 Camden, TN 38320  
 PH. 941-380-1574

SHEET DESCRIPTION:  
 ANCHOR SCHEDULE AND  
 NOTES  
 O/O/O

DRAWN BY: MCS	DATE: 8/9/2023
DWG #: PEL-511	REV.: A
SCALE: 1:25	SHEET 7 OF 8

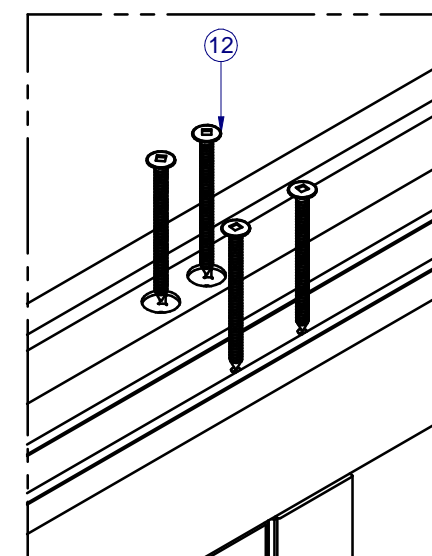


ANCHOR LAYOUT - (FLANGE)



ANCHOR LAYOUT - (FIN)

ADDITIONAL ANCHOR REQUIRED THRU  
 FIN AT MULLBAR CENTERLINE, IF NEAREST  
 PRE-PUNCHED FIN HOLE IS MORE THAN  
 1" FROM MULLBAR CENTERLINE.

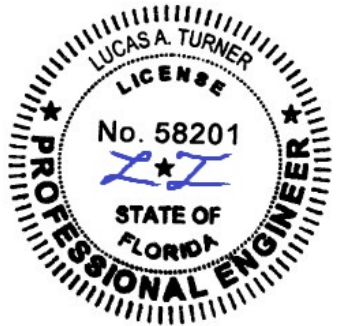


DETAIL A  
 INTERNAL MULL ATTACHMENT

**515 PVC  
 FIXED WINDOW  
 NON-IMPACT**

PROPRIETARY AND CONFIDENTIAL  
 THE INFORMATION CONTAINED IN THIS DRAWING IS THE SOLE PROPERTY OF CUSTOM WINDOW SYSTEMS, INC. ANY REPRODUCTION IN PART OR AS A WHOLE WITHOUT THE WRITTEN PERMISSION OF CUSTOM WINDOW SYSTEMS, INC IS PROHIBITED.

FLORIDA APPROVAL NO.:  
 33453



8/15/2023

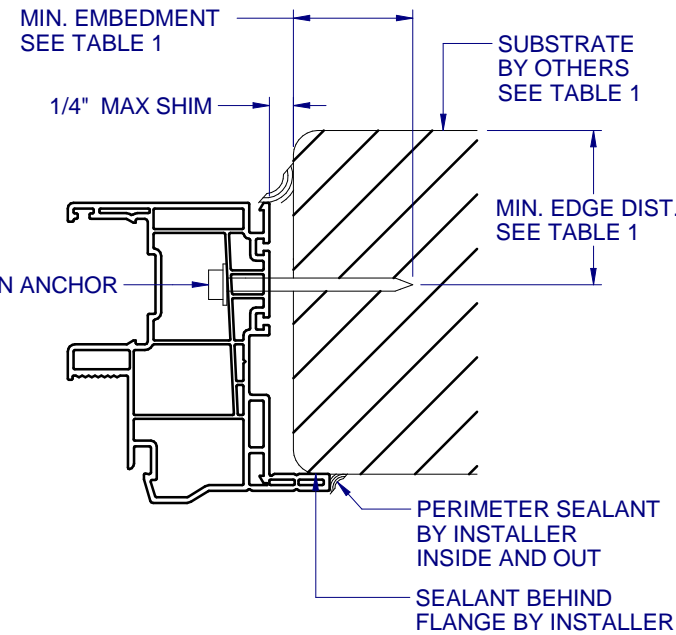
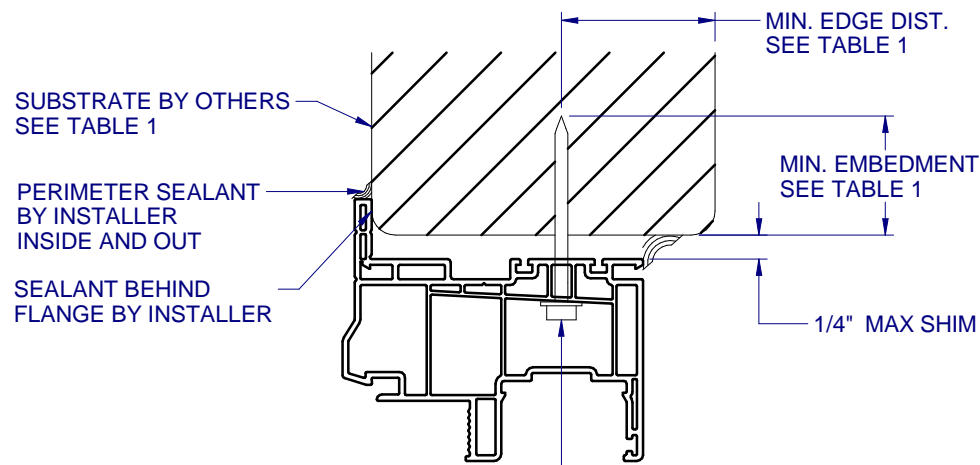
LUCAS A. TURNER, P.E.  
 FL PE # 58201  
 Turner Engineering & Consulting, Inc.  
 2428 Old Natchez Trc Trl  
 Camden, TN 38320  
 PH. 941-380-1574

SHEET DESCRIPTION:

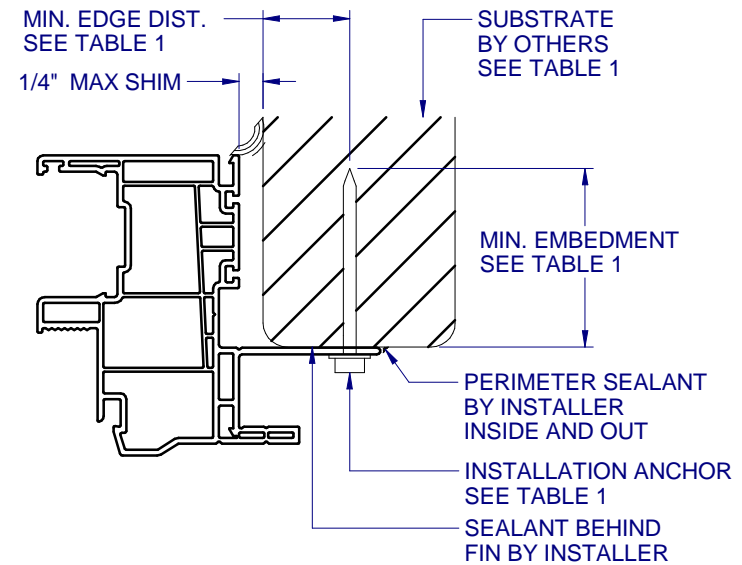
**INSTALLATION DETAILS**

DRAWN BY:	DATE:
MCS	8/9/2023
DWG #:	REV.:
PEL-511	A
SCALE:	SHEET
1:2	8 OF 8

TYPICAL HEAD ANCHORAGE

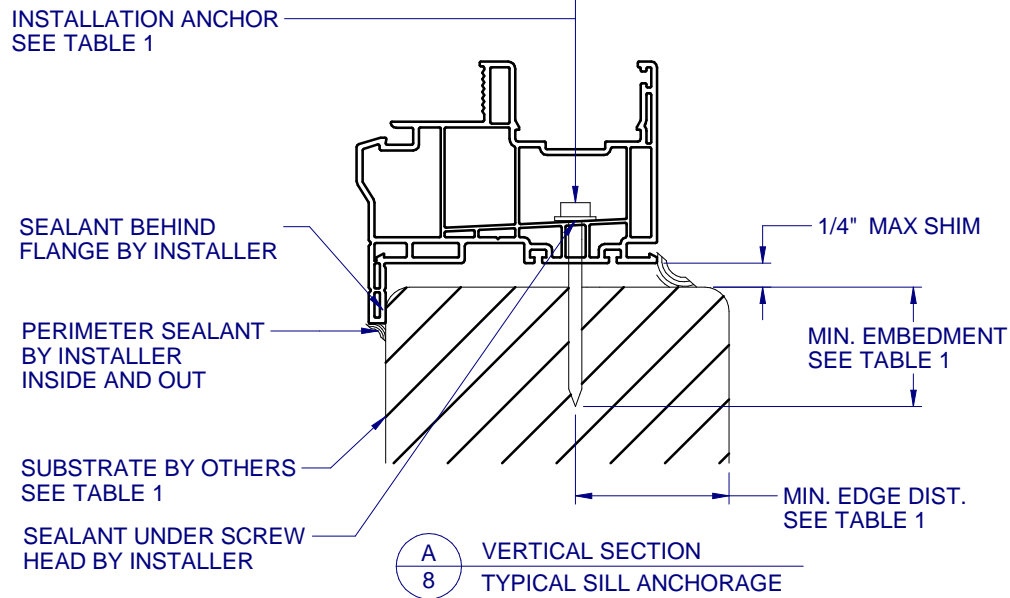


(B) HORIZONTAL SECTION  
 8 TYPICAL JAMB ANCHORAGE

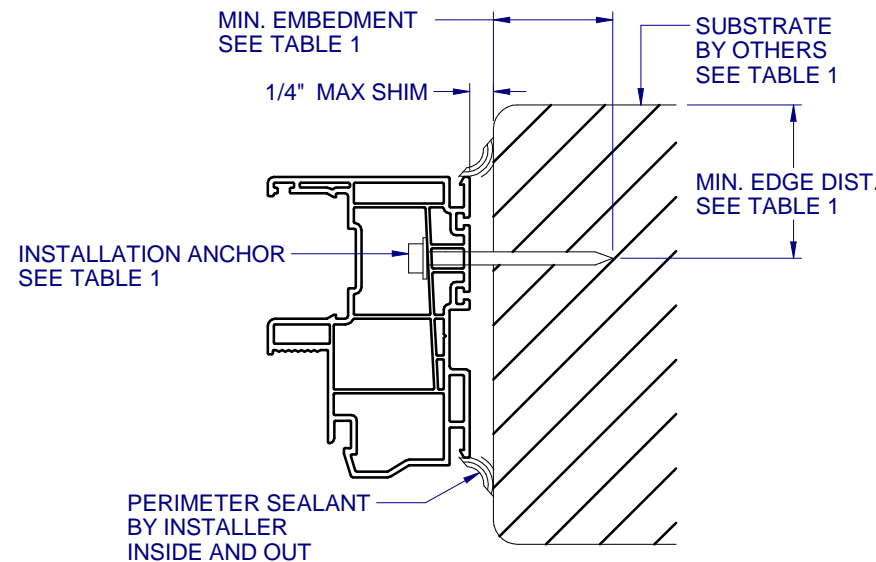


(C) HORIZONTAL SECTION  
 8 TYPICAL FIN ANCHORAGE  
 HEAD AND SILL SIMILAR FOR FIN INSTALLATION

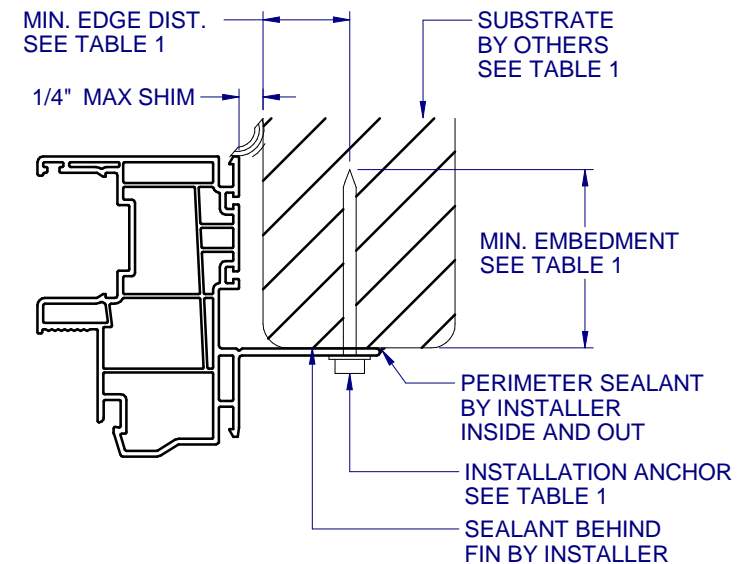
NOTE: ADDITIONAL THRU-FRAME ANCHORS (AS SHOWN IN DET. A/8) REQ'D AT HEAD AND SILL AT MULLION FOR O/O UNITS, SEE SHEET 6 ANCHOR LAYOUT.



(A) VERTICAL SECTION  
 8 TYPICAL SILL ANCHORAGE



(D) HORIZONTAL SECTION  
 8 BOX FRAME INSTALLATION  
 HEAD AND SILL SIMILAR FOR BOX INSTALLATION



(C) HORIZONTAL SECTION  
 8 TYPICAL FIN ANCHORAGE  
 HEAD AND SILL SIMILAR FOR FIN INSTALLATION

NOTE: ADDITIONAL THRU-FRAME ANCHORS (AS SHOWN IN DET. A/8) REQ'D AT HEAD AND SILL AT MULLION FOR O/O UNITS, SEE SHEET 6 ANCHOR LAYOUT.

FRAME TYPE	SUBSTRATE TYPE	ANCHOR TYPE	MIN. EMBEDMENT	MIN. EDGE DIST.
FLANGE	CONCRETE (2.0 KSI MIN.)	3/16" ITW TAPCON	1-1/2"	1-1/8"
FLANGE	HOLLOW OR GROUT-FILLED CMU (117 PCF MIN.)	3/16" ITW TAPCON	1"	2"
FLANGE	CONCRETE (3.05 KSI MIN.)	3/16" DEWALT ULTRACON+	1-3/4"	1"
FLANGE	HOLLOW OR GROUT-FILLED CMU (ASTM C-90)	3/16" DEWALT ULTRACON+	1-1/4"	2-1/2"
FLANGE	2X MIN. SOUTHERN PINE (G=0.55)	3/16" ITW TAPCON OR DEWALT ULTRACON+	1-3/8"	7/8"
FLANGE	2X MIN. SOUTHERN PINE (G=0.55)	#10 WOOD SCREW	1-3/8"	7/8"
FLANGE	16 GAUGE (0.060") MIN. STEEL STUD (33 KSI YIELD MIN)	#10-16 HILTI KWIK-FLEX OR ITW TEKS SELF-DRILLING SCREW	FULL THREAD THRU 0.060"	7/16"
FLANGE	1/8" ALUM. (6063-T5 MIN.) OR 1/8" STEEL (33 KSI MIN.)	#10 GRADE 5 SELF-TAPPING / DRILLING SCREW	FULL THREAD THRU 0.125"	7/16"
FIN	2X MIN. SOUTHERN PINE (G=0.55)	#8 WOOD SCREW	1-1/2"	7/16"

FLANGE REMOVAL NOTE: PARTIALLY OR FULLY REMOVING THE FLANGE, UP TO AND INCLUDING A BOX-FRAME APPLICATION IS ACCEPTABLE PROVIDED:

- MIN. 1/4" FILLET OF CONSTRUCTION-GRADE ADHESIVE CAULK IS APPLIED INSIDE AND OUT, FULL PERIMETER, BY INSTALLER.
- PRODUCT ANCHORAGE IS IN ACCORDANCE WITH REQUIREMENTS AS SHOWN FOR FLANGE WINDOWS.