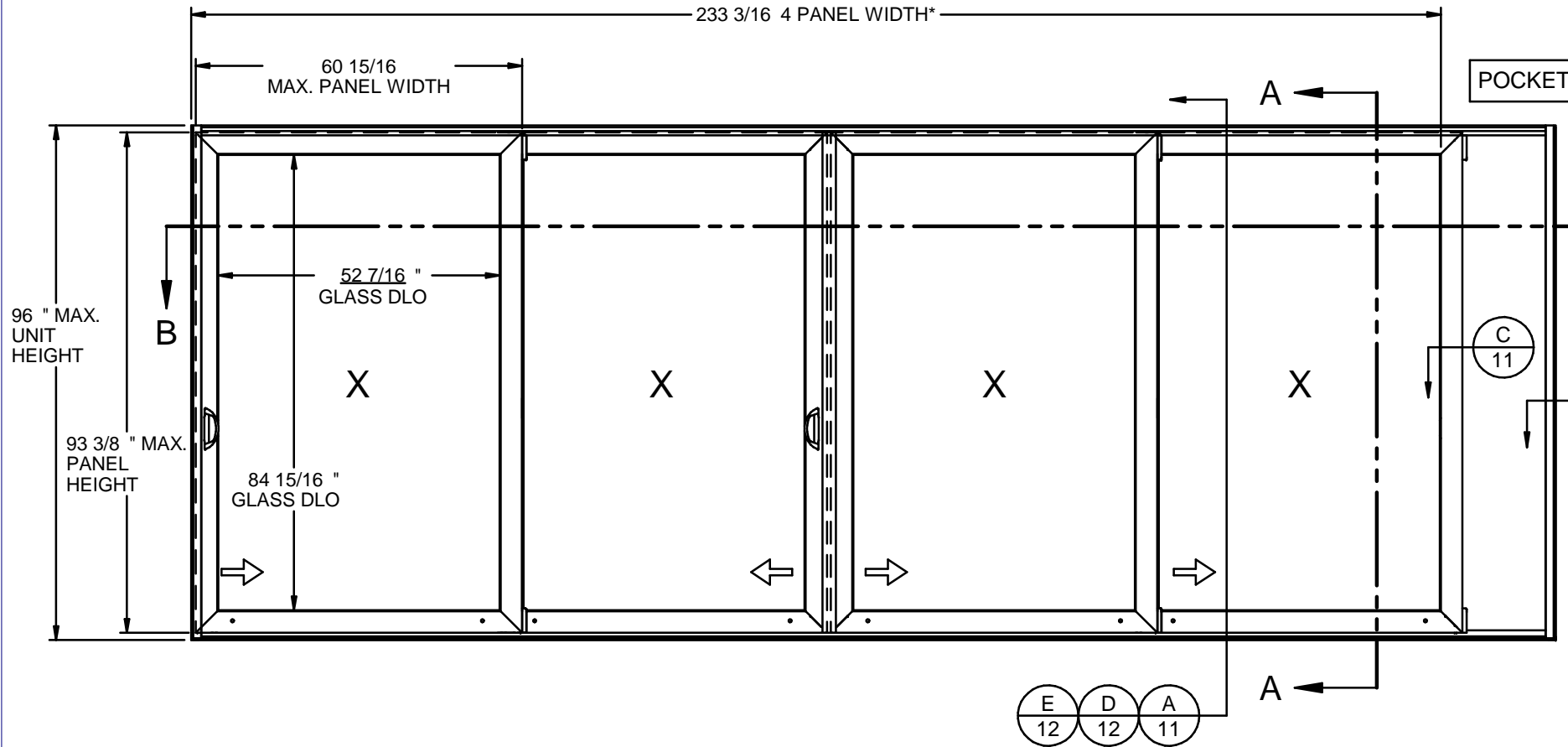


SLIDING GLASS DOOR - NON-IMPACT



GENERAL NOTES:

1. THE PRODUCT SHOWN HEREIN IS DESIGNED AND MANUFACTURED TO COMPLY WITH THE FLORIDA BUILDING CODE (FBC), CURRENT EDITION AND IS RATED FOR USE IN THE HIGH VELOCITY HURRICANE ZONE (HVHZ).
2. GLAZING OPTIONS: (SEE SHEET 4)
3. APPROVED CONFIGURATIONS INCLUDE BUT ARE NOT LIMITED TO:
 "XO", "OX", "XX", "OXO", "XXX", "OXXO", "XXXX", "PX", "PXX", "PXXX", "PXXXX", "PXXP", "PXXXXP", "PXXXXXXP", "PXXXXXXXP"
 2 TRACK, 3 TRACK, 4 TRACK
4. DESIGN PRESSURE RATING:
 -NEGATIVE DESIGN LOADS BASED ON, TESTED PRESSURE AND GLASS TABLES ASTM E-1300-04e01/09.
 -POSITIVE DESIGN LOADS BASED ON, TESTED PRESSURE, WATER INFILTRATION TEST PRESSURE AND GLASS TABLES ASTM E-1300-04e01/09.
5. ANCHORAGE: THE 33 1/3% STRESS INCREASE HAS NOT BEEN USED IN THE DESIGN OF THIS PRODUCT. SEE SHEETS 10-11 FOR ANCHOR DETAILS. WINDLOAD DURATION FACTOR Cd=1.6 WAS USED FOR WOOD ANCHOR CALCULATIONS.
6. NOT APPROVED FOR IMPACT RESISTANCE. IMPACT PROTECTIVE SYSTEM REQUIRED IN WIND BORNE DEBRIS REGION.
7. ALL FRAMES ARE PROCESSED AND SCREWED TOGETHER. VENTS ARE PROCESSED AND THERMAL WELDED TOGETHER.
8. SERIES / MODEL DESIGNATION SGD-880.
9. THE DESIGNATION X AND O STAND FOR THE FOLLOWING:
 X = OPERABLE SASH, O = FIXED SASH, P = POCKET/HOOKSTRIP
10. SECTION CALLOUTS APPLY TO ALL CONFIGURATIONS IN A SIMILAR LOCATION.
11. WEEP SLOTS = 1/2" x 1" LOCATED @ BOTH ENDS.



580 PVC MULTI-SLIDING PATIO DOOR NON-IMPACT

PROPRIETARY AND CONFIDENTIAL
 THE INFORMATION CONTAINED IN THIS DRAWING IS THE SOLE PROPERTY OF CUSTOM WINDOW SYSTEMS, INC. ANY REPRODUCTION IN PART OR AS A WHOLE WITHOUT THE WRITTEN PERMISSION OF CUSTOM WINDOW SYSTEMS, INC IS PROHIBITED.

FLORIDA APPROVAL NO.:
 33463



10/2/2023

LUCAS A. TURNER, P.E.
 FL PE # 58201
 Turner Engineering & Consulting, Inc.
 2428 Old Natchez Trc Trl
 Camden, TN 38320
 PH. 941-380-1574

SHEET DESCRIPTION:
 GENERAL NOTES AND ELEVATIONS

| | |
|--------------------|--------------------|
| DRAWN BY: MCS | DATE: 9/21/2023 |
| DWG #: PEL-1148 | REV.: A |
| SCALE: 1:30 | SHEET 1 OF 12 |

TABLE OF CONTENTS

| | |
|---------------------------------|-------|
| GENERAL NOTES & ELEVATIONS..... | 1 |
| DP CHART..... | 2 |
| SECTION VIEWS..... | 3 |
| BOM & GLAZING DETAIL..... | 4 |
| EXTRUSIONS..... | 5-6 |
| TRACK WIDTHS..... | 7 |
| ANCHOR SCHEDULE & NOTES..... | 8 |
| ANCHOR PATTERNS..... | 9-10 |
| INSTALLATION DETAILS..... | 11-12 |

| MAX. PANEL SIZE | DESIGN PRESSURE RATING | IMPACT RATING |
|---------------------|------------------------|---------------|
| 60-15/16" x 93-3/8" | +/-80 PSF | NONE |

*(4) PANELS SHOWN; HVHZ LIMITED TO MAX. (9) PANELS. OUTSIDE HVHZ, UNLIMITED NUMBER OF PANELS IS ALLOWABLE AS LONG AS INDIVIDUAL PANELS DO NOT EXCEED PANEL SIZE AS SHOWN.

| Chart 1. Design Pressures (psf) with 2060 2.875" Sill Riser | | | | |
|---|-------------------|-------------|-------------|-------------|
| Panel Width | Door Height (in.) | | | |
| | 78.000 | 84.000 | 90.000 | 96.000 |
| 30.000 | +65 / -97.5 | +65 / -97.5 | +65 / -97.5 | +65 / -97.5 |
| 36.000 | +65 / -97.5 | +65 / -97.5 | +65 / -97.5 | +65 / -97.5 |
| 42.000 | +65 / -97.5 | +65 / -97.5 | +65 / -97.5 | +65 / -97.5 |
| 48.000 | +65 / -97.5 | +65 / -97.5 | +65 / -97.5 | +65 / -92.4 |
| 54.000 | +65 / -97.5 | +65 / -97.5 | +65 / -93.9 | +65 / -85.7 |
| 60.938 | +65 / -80 | +65 / -80 | +65 / -80 | +65 / -80 |

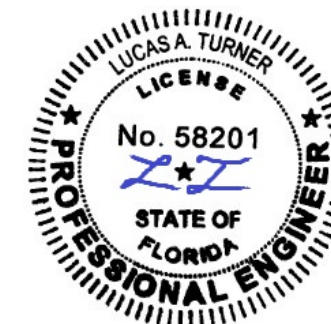
| Chart 2. Design Pressures (psf) with 2062 4.062" Sill Riser | | | | |
|---|-------------------|-------------|-------------|-------------|
| Panel Width | Door Height (in.) | | | |
| | 78.000 | 84.000 | 90.000 | 96.000 |
| 30.000 | +80 / -97.5 | +80 / -97.5 | +80 / -97.5 | +80 / -97.5 |
| 36.000 | +80 / -97.5 | +80 / -97.5 | +80 / -97.5 | +80 / -97.5 |
| 42.000 | +80 / -97.5 | +80 / -97.5 | +80 / -97.5 | +80 / -97.5 |
| 48.000 | +80 / -97.5 | +80 / -97.5 | +80 / -97.5 | +80 / -92.4 |
| 54.000 | +80 / -97.5 | +80 / -97.5 | +80 / -93.9 | +80 / -85.7 |
| 60.938 | +80 / -80 | +80 / -80 | +80 / -80 | +80 / -80 |

NOTES:
1) INSTALLATION W/NO SILL RISER ALLOWED TO THE FULL DP'S INDICATED ABOVE, IN LOCATIONS WHERE WATER INFILTRATION RESISTANCE IS NOT REQUIRED, SUCH AS BUT NOT LIMITED TO LOCATIONS WHERE AN OVER HANG IS PRESENT THAT IS AS WIDE AS THE WALL IS TALL.

**580 PVC
MULTI-SLIDING
PATIO DOOR
NON-IMPACT**

PROPRIETARY AND CONFIDENTIAL
THE INFORMATION CONTAINED IN THIS DRAWING IS THE SOLE PROPERTY OF CUSTOM WINDOW SYSTEMS, INC. ANY REPRODUCTION IN PART OR AS A WHOLE WITHOUT THE WRITTEN PERMISSION OF CUSTOM WINDOW SYSTEMS, INC IS PROHIBITED.

FLORIDA APPROVAL NO.:
33463



10/2/2023

LUCAS A. TURNER, P.E.
FL PE # 58201
Turner Engineering & Consulting, Inc.
2428 Old Natchez Trc Trl
Camden, TN 38320
PH. 941-380-1574

SHEET DESCRIPTION:

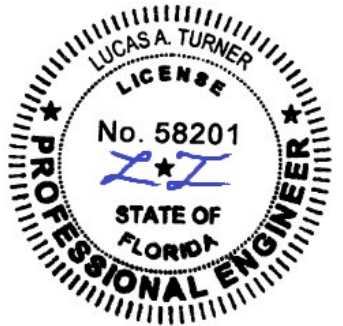
DP CHART

| | |
|--------------------|--------------------|
| DRAWN BY: MCS | DATE: 9/21/2023 |
| DWG #: PEL-1148 | REV.: A |
| SCALE: 1:1 | SHEET 2 OF 12 |

**580 PVC
 MULTI-SLIDING
 PATIO DOOR
 NON-IMPACT**

PROPRIETARY AND CONFIDENTIAL
 THE INFORMATION CONTAINED IN
 THIS DRAWING IS THE SOLE
 PROPERTY OF CUSTOM WINDOW
 SYSTEMS, INC. ANY
 REPRODUCTION IN PART OR AS A
 WHOLE WITHOUT THE WRITTEN
 PERMISSION OF CUSTOM WINDOW
 SYSTEMS, INC IS PROHIBITED.

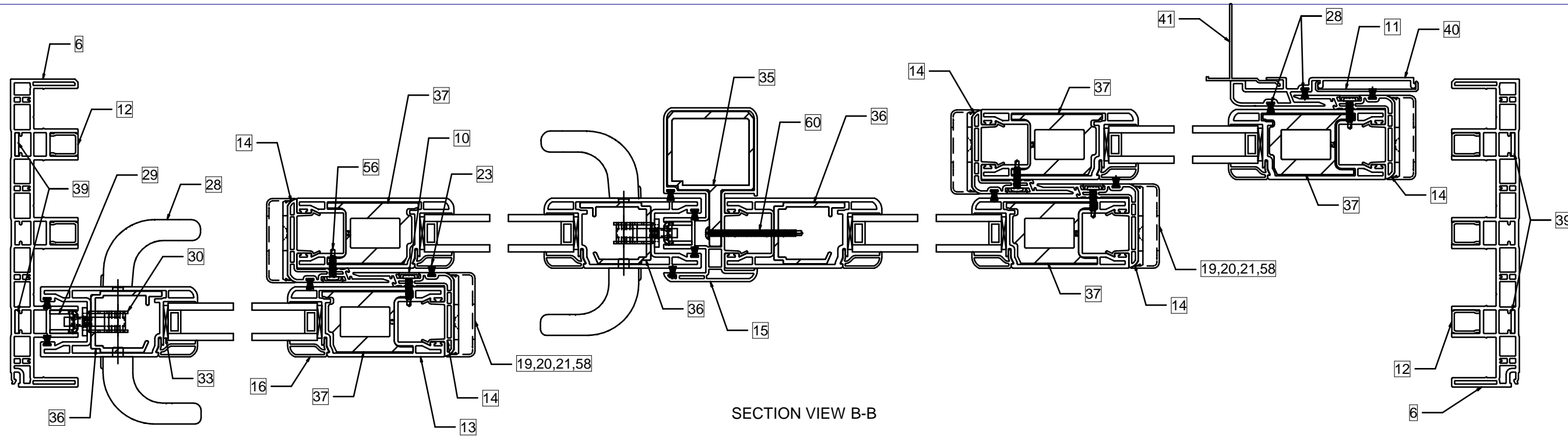
FLORIDA APPROVAL NO.:
 33463



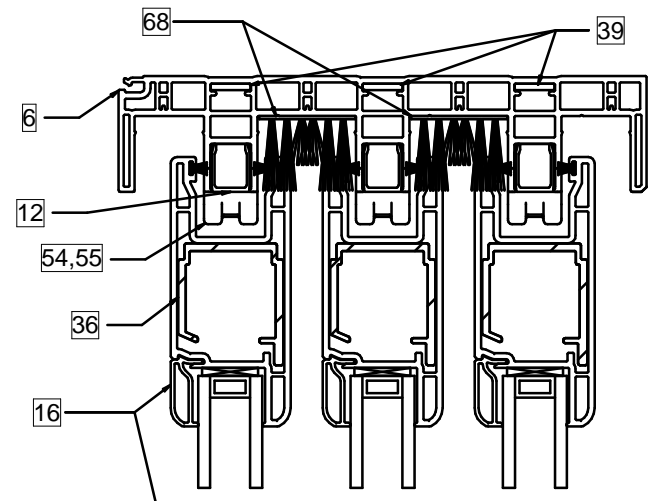
10/2/2023
 LUCAS A. TURNER, P.E.
 FL PE # 58201
 Turner Engineering &
 Consulting, Inc.
 2428 Old Natchez Trc Trl
 Camden, TN 38320
 PH. 941-380-1574

SHEET DESCRIPTION:
 SECTION VIEWS

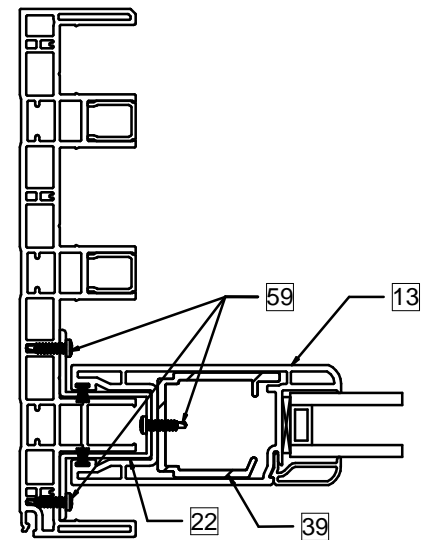
| | |
|--------------------|--------------------|
| DRAWN BY: MCS | DATE: 9/21/2023 |
| DWG #: PEL-1148 | REV.: A |
| SCALE: 1:3 | SHEET 3 OF 12 |



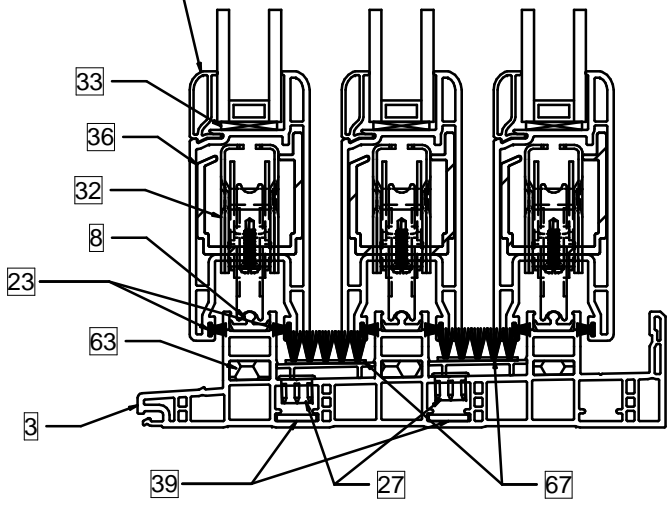
SECTION VIEW B-B



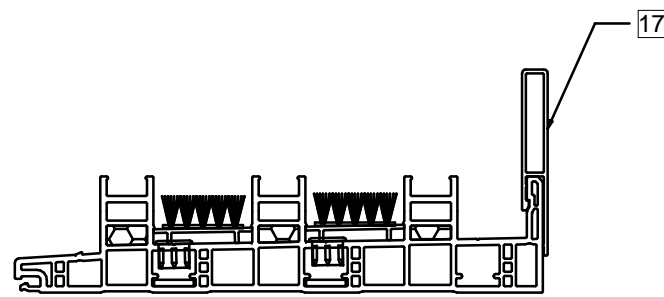
SECTION VIEW A-A
 NO SILL RISER



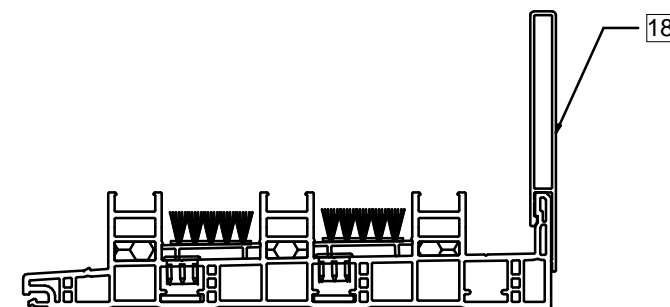
FIXED PANEL
 ATTACHMENT



ITEMS NOT SHOWN FOR CLARITY:
 20, 24-26, 31, 55-58, 61-62, 64-66



ALTERNATE SILL RISER VIEW
 LIMITED TO +65

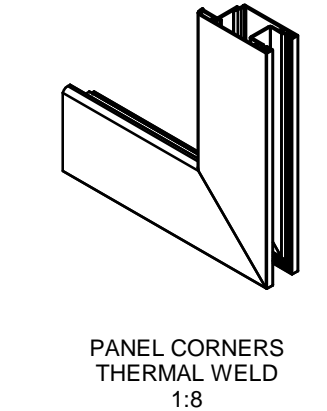
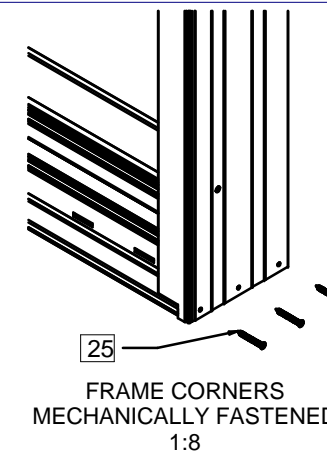
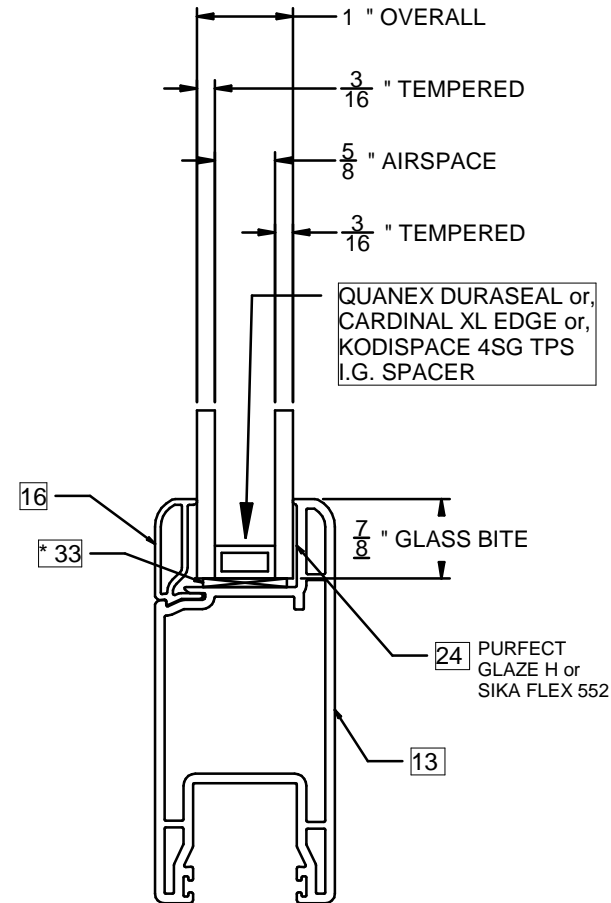


ALTERNATE SILL RISER VIEW
 LIMITED TO +80

NOTES:
 1) INSTALLATION W/NO SILL RISER ALLOWED TO THE FULL DP'S INDICATED ABOVE, IN LOCATIONS WHERE WATER INFILTRATION RESISTANCE IS NOT REQUIRED, SUCH AS BUT NOT LIMITED TO LOCATIONS WHERE AN OVER HANG IS PRESENT THAT IS AS WIDE AS THE WALL IS TALL.

| PARTS LIST | | | |
|------------|--------|--|----------|
| ITEM | PART # | DESCRIPTION | MATERIAL |
| 1 | GLASS | SEE THIS SHEET | |
| 2 | H-6161 | 2-Track Sill | PVC |
| 3 | H-6163 | 3-Track Sill | PVC |
| 4 | H-6165 | 4-Track Sill | PVC |
| 5 | H-6160 | 2-Track Head/Jamb | PVC |
| 6 | H-6162 | 3-Track Head/Jamb | PVC |
| 7 | H-6164 | 4-Track Head/Jamb | PVC |
| 8 | S-2064 | Roller Track Insert | Aluminum |
| 9 | S-6171 | Cover, Sill Track | PVC |
| 10 | S-6169 | Cover, Interlock | PVC |
| 11 | S-6172 | Cover, External Reinforcement/P-Hook | PVC |
| 12 | S-6175 | Track Filler, Frame | PVC |
| 13 | H-6166 | Panel Stile/Rail | PVC |
| 14 | H-6168 | Interlock, Snap-On | PVC |
| 15 | H-6167 | Astragal | PVC |
| 16 | H-6170 | Glazing Bead, I.G., 1" | PVC |
| 17 | H-2060 | Sill Riser, 2.906" | Aluminum |
| 18 | H-2062 | Sill Riser, 4.062" | Aluminum |
| 19 | P-5517 | KIT, LOWER REINF PLATE (8800 SGD PANEL) | Aluminum |
| 20 | P-5558 | Support Channel, Bot Rail, Interlock | Aluminum |
| 21 | P-5511 | Cover, Panel Guide, Interlock | Nylon |
| 22 | P-5516 | Bracket, Fixed Panel | Aluminum |
| 23 | P-3305 | Wstp., .187 Back x .270 H FinSeal | |
| 24 | | Sikaflex 552 or Purfect Glaze "H" | Silicone |
| 25 | P-3514 | Screw, #10 x 2" Ph Comb Hd | Steel |
| 26 | P-3587 | Screw, #8 x 1" PH FL TEK - Roller Asm/Mortise Lock | Steel |
| 27 | P-5588 | Hole Plug, 0.500" Dia. | Nylon |
| 28 | P-5536 | Handle Set with Thumb Turn | |
| 29 | P-3792 | Keeper | |
| 30 | P-3793 | Multi-Point Mortise Lock | |
| 31 | P-4250 | Screw, #10 x 2.5" PH PN SMS - Keeper | Steel |
| 32 | P-5287 | Tandem Roller Assy, 2.125" Dia Wheel | |
| 33 | P-5531 | Setting Block, .09 x 1 x 2 | Rubber |
| 34 | H-1769 | Reinforcement, Interlock | Aluminum |
| 35 | H-2068 | Reinforcement, Astragal | Aluminum |
| 36 | S-1775 | Reinforcement, Lock Stile/Rails | Aluminum |
| 37 | H-2111 | Reinforcement, HD, Interlock | Aluminum |
| 38 | S-2071 | Reinforcement, External, Interlock | Aluminum |
| 39 | S-2069 | Frame Insert, Installation Anchors | Aluminum |
| 40 | H-2063 | P-Hook | Aluminum |
| 41 | S-2065 | P-Hook Adaptor | Aluminum |
| 42 | S-2136 | Screen, Astragal | Aluminum |
| 43 | H-2135 | Screen, 1-Track Head/Jamb | Aluminum |
| 45 | S-2134 | Screen, 1-Track Sill | Aluminum |
| 46 | S-2053 | Screen, 2-Track Head | Aluminum |
| 47 | S-2054 | Screen, 2-Track Jamb | Aluminum |
| 48 | S-2055 | Screen, 2-Track Sill | Aluminum |
| 49 | S-2056 | Screen, 3-Track Head | Aluminum |
| 50 | S-2057 | Screen, 3-Track Jamb | Aluminum |

| ITEM | PART # | DESCRIPTION | MATERIAL |
|------|--------|---|----------|
| 51 | S-2058 | Screen, 3-Track Sill | Aluminum |
| 52 | S-2059 | Screen, Snap Cover | Aluminum |
| 54 | P-5477 | Block, Anti-Lift | Nylon |
| 55 | P-5559 | Screw, #14 x 4" PH PN SMS | Steel |
| 56 | P-3539 | #8 x 3/4" Phillips Square SMS | Steel |
| 57 | P-5572 | #8 x 2.5" PH FH TEK SS, Screw (Sash Guide) | Steel |
| 58 | P-4962 | Screw, #8 x 3" PH FL Tek | Steel |
| 59 | P-5565 | Screw, #12 x 1 1/2" PH PN SMS | Steel |
| 60 | P-3609 | Bumper, Panel Stop | Rubber |
| 61 | P-4291 | Panel Stop Housing | Nylon |
| 62 | P-5567 | OPEN CELL FOAM, .844 X .500 X 2" | |
| 63 | P-5492 | Gasket, Frame Assembly, 2-Track | Butyl |
| 64 | P-5493 | Gasket, Frame Assembly, 3-Track | Butyl |
| 65 | P-5494 | Gasket, Frame Assembly, 4-Track | Butyl |
| 66 | P-4659 | Dust Plug, 1-1/4" x 3" x 0.5" (Cut from 3213) | |
| 67 | P-4366 | Wstp., 1.0W x 1.100 x .700H Dust Plug | |
| 68 | | Screen, Spline | Rubber |
| 69 | | Screen, Cloth | |



**580 PVC
MULTI-SLIDING
PATIO DOOR
NON-IMPACT**

PROPRIETARY AND CONFIDENTIAL
THE INFORMATION CONTAINED IN THIS DRAWING IS THE SOLE PROPERTY OF CUSTOM WINDOW SYSTEMS, INC. ANY REPRODUCTION IN PART OR AS A WHOLE WITHOUT THE WRITTEN PERMISSION OF CUSTOM WINDOW SYSTEMS, INC IS PROHIBITED.

FLORIDA APPROVAL NO.:
33463



10/2/2023
LUCAS A. TURNER, P.E.
FL PE # 58201
Turner Engineering & Consulting, Inc.
2428 Old Natchez Trc Trl
Camden, TN 38320
PH. 941-380-1574

SHEET DESCRIPTION:
**BOM AND GLAZING
DETAIL**

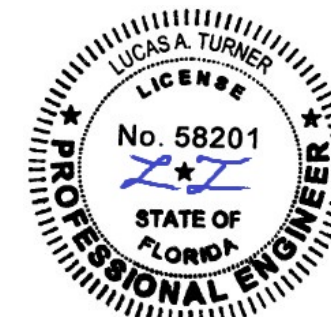
| | |
|--------------------|--------------------|
| DRAWN BY: MCS | DATE: 9/21/2023 |
| DWG #: PEL-1148 | REV.: A |
| SCALE: 1:2 | SHEET 4 OF 12 |

* SETTING BLOCKS PER FBC 2411.3.3.1

580 PVC MULTI-SLIDING PATIO DOOR NON-IMPACT

PROPRIETARY AND CONFIDENTIAL
THE INFORMATION CONTAINED IN
THIS DRAWING IS THE SOLE
PROPERTY OF CUSTOM WINDOW
SYSTEMS, INC. ANY
REPRODUCTION IN PART OR AS A
WHOLE WITHOUT THE WRITTEN
PERMISSION OF CUSTOM WINDOW
SYSTEMS, INC IS PROHIBITED.

FLORIDA APPROVAL NO.:
33463

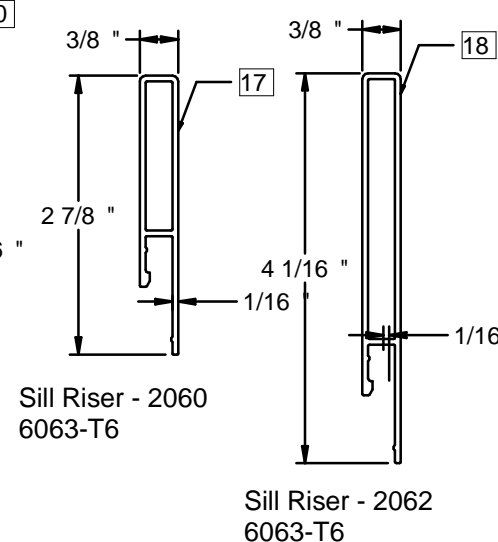
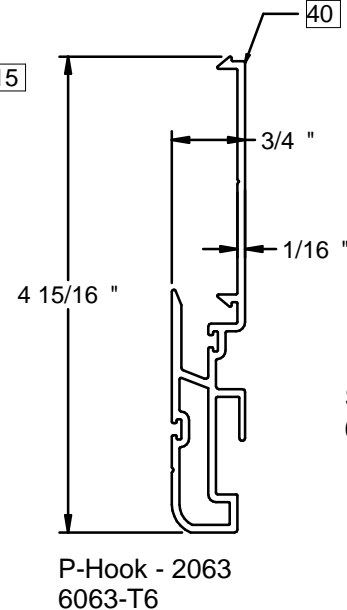
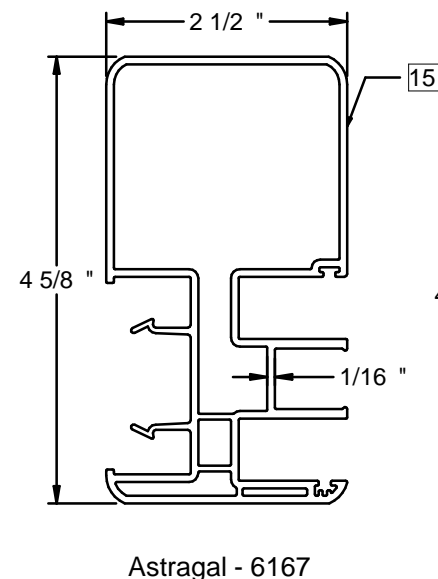
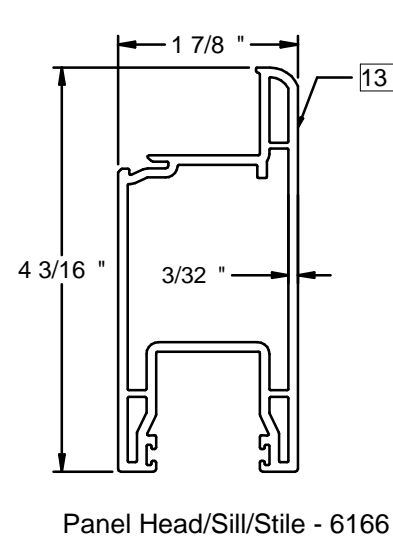
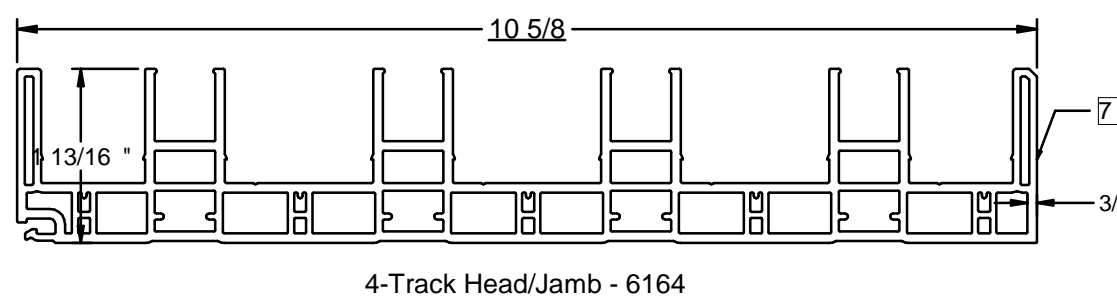
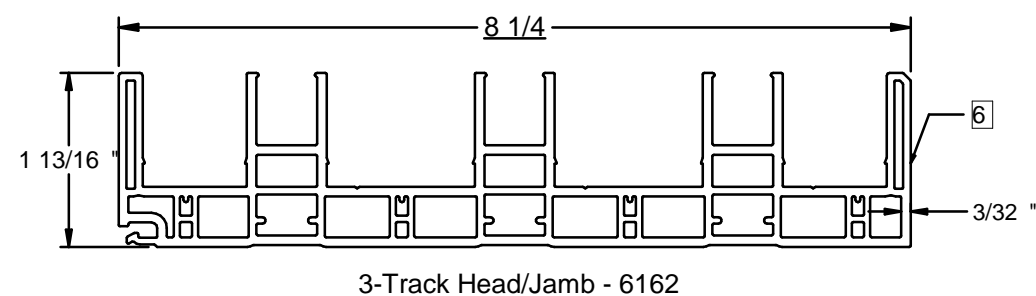
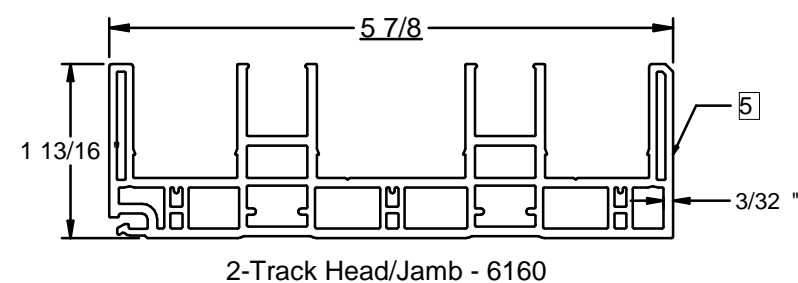
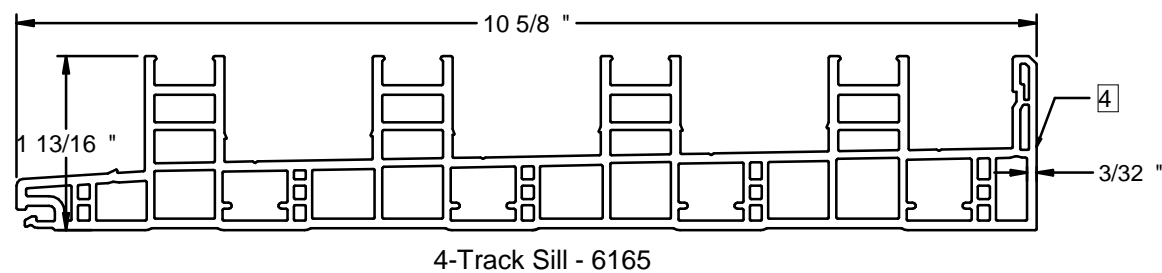
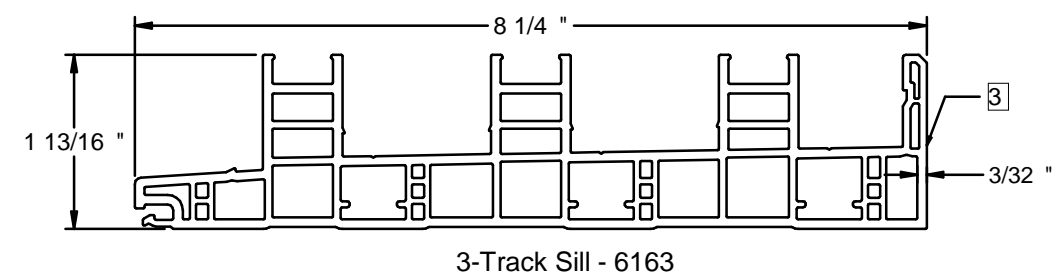
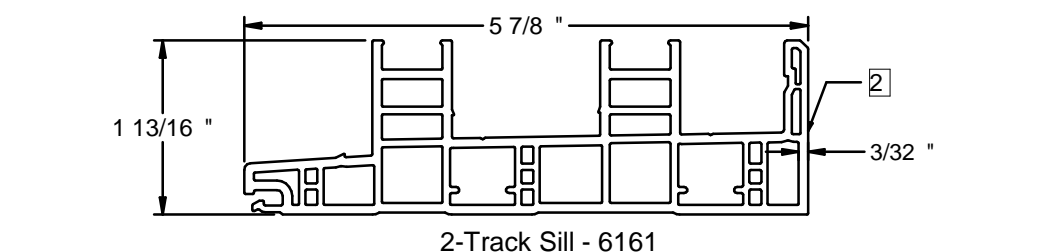


10/2/2023
LUCAS A. TURNER, P.E.
FL PE # 58201
Turner Engineering &
Consulting, Inc.
2428 Old Natchez Trc Trl
Camden, TN 38320
PH. 941-380-1574

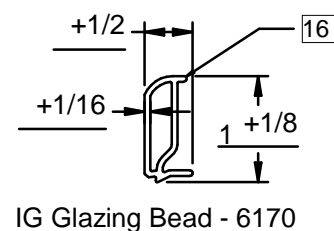
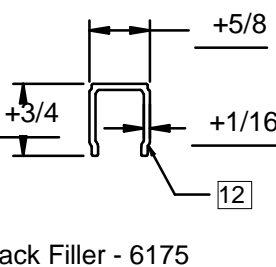
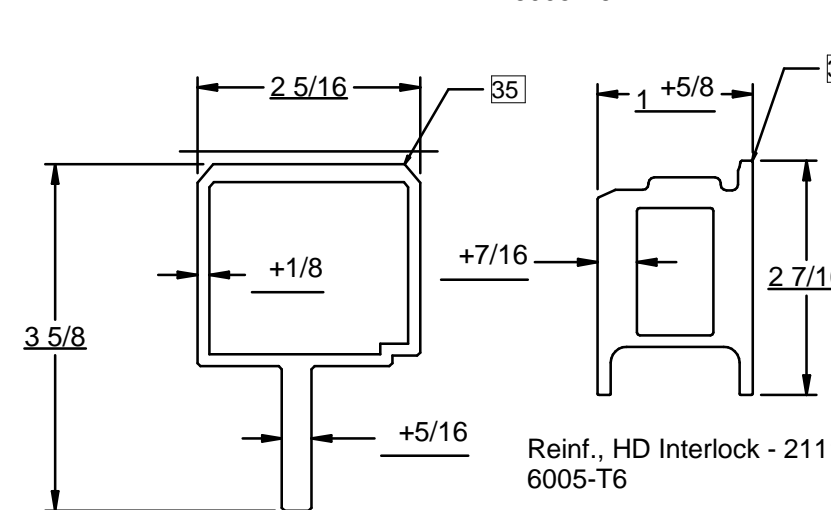
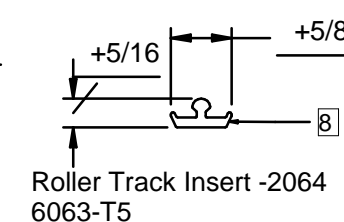
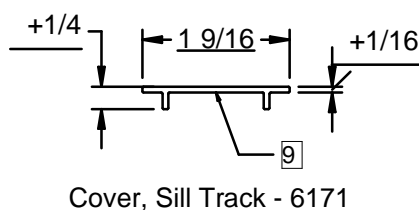
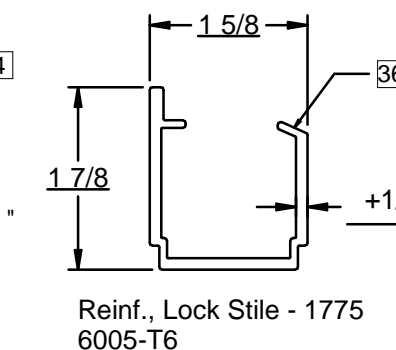
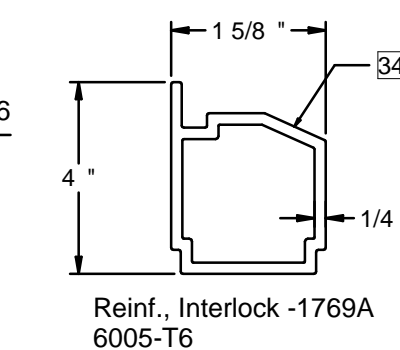
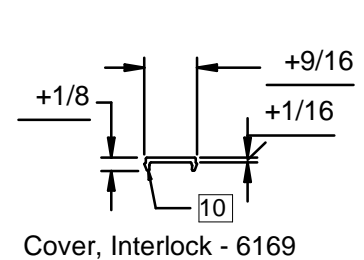
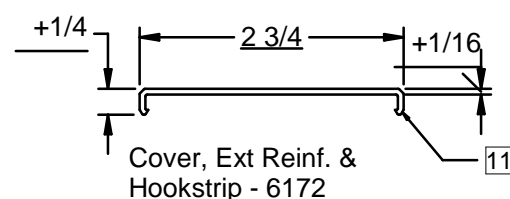
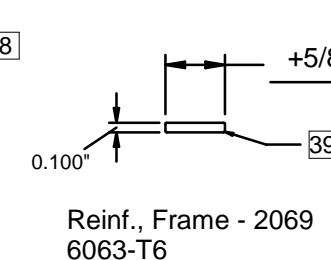
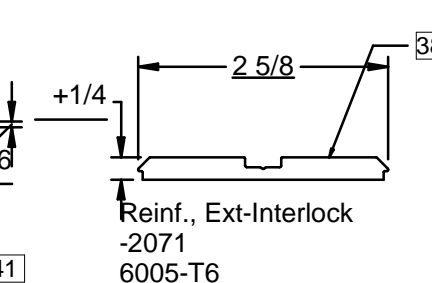
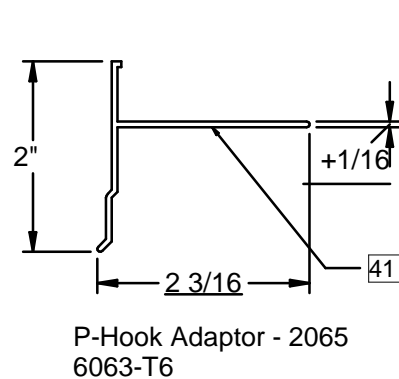
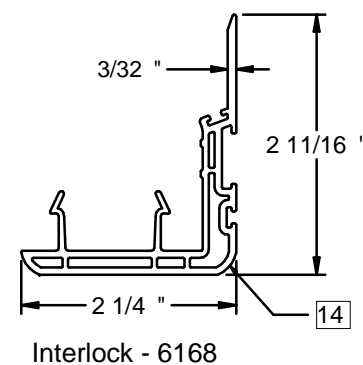
SHEET DESCRIPTION:

EXTRUSIONS

| | |
|-----------|-----------|
| DRAWN BY: | DATE: |
| MCS | 9/21/2023 |
| DWG #: | REV.: |
| PEL-1148 | A |
| SCALE: | SHEET |
| 1:2 | 5 OF 12 |



Sill Riser - 2062
6063-T6



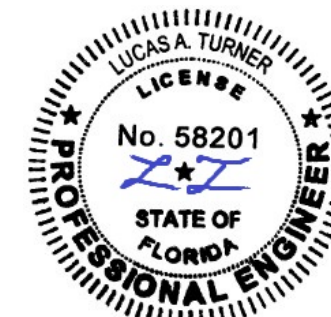
Reinf., Astragal - 2068
6005-T6

NOTE: ALL EXTRUSIONS ARE RIGID PVC UNLESS OTHERWISE NOTED.

**580 PVC
 MULTI-SLIDING
 PATIO DOOR
 NON-IMPACT**

PROPRIETARY AND CONFIDENTIAL
 THE INFORMATION CONTAINED IN THIS DRAWING IS THE SOLE PROPERTY OF CUSTOM WINDOW SYSTEMS, INC. ANY REPRODUCTION IN PART OR AS A WHOLE WITHOUT THE WRITTEN PERMISSION OF CUSTOM WINDOW SYSTEMS, INC IS PROHIBITED.

FLORIDA APPROVAL NO.:
 33463



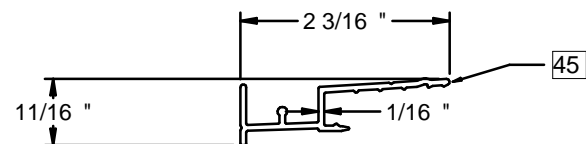
10/2/2023

LUCAS A. TURNER, P.E.
 FL PE # 58201
 Turner Engineering & Consulting, Inc.
 2428 Old Natchez Trc Trl
 Camden, TN 38320
 PH. 941-380-1574

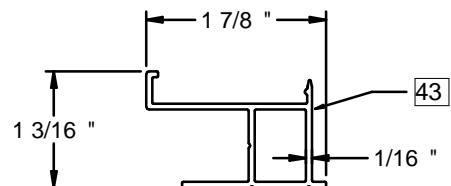
SHEET DESCRIPTION:

EXTRUSIONS

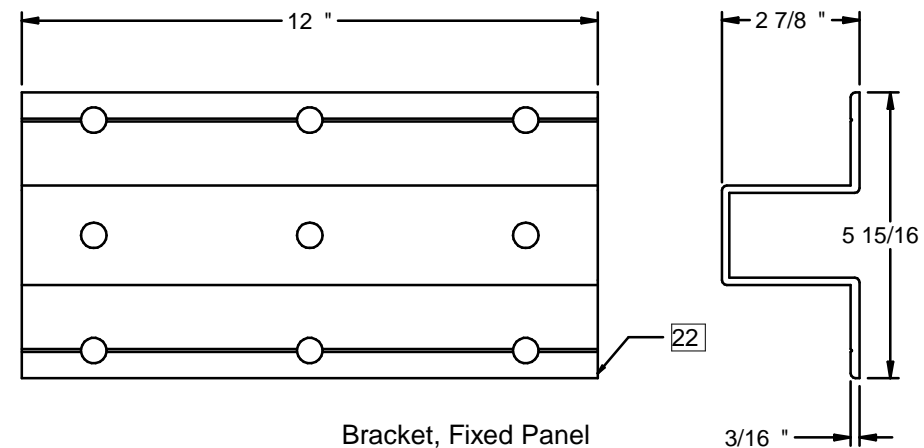
| | |
|-----------|-----------|
| DRAWN BY: | DATE: |
| MCS | 9/21/2023 |
| DWG #: | REV.: |
| PEL-1148 | A |
| SCALE: | SHEET |
| 1:2 | 6 OF 12 |



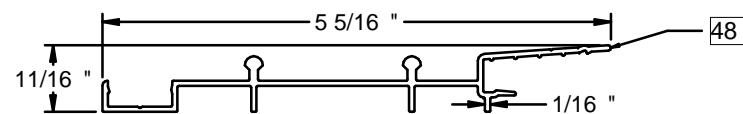
Screen, 1-Track Sill - 2134



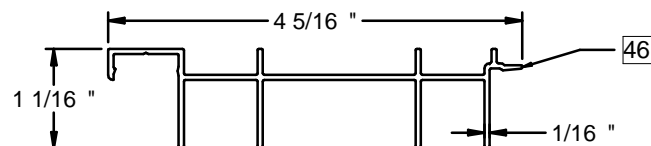
Screen, 1-Track Head/Jamb - 2135



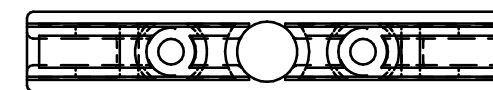
Bracket, Fixed Panel
 P-5516



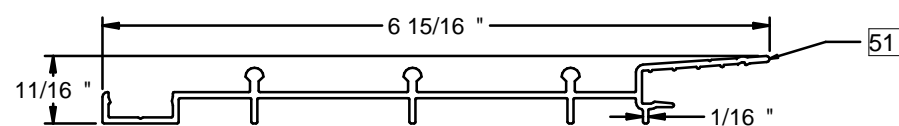
Screen, 2-Track Sill - 2055



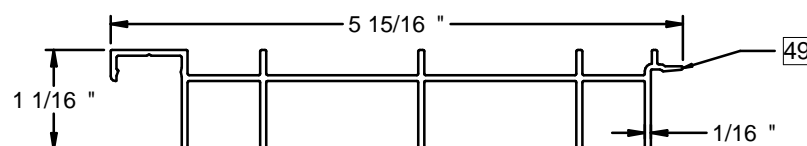
Screen, 2-Track Head - 2053



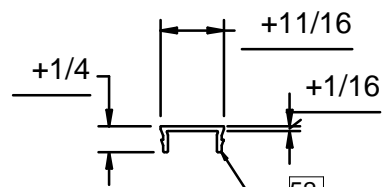
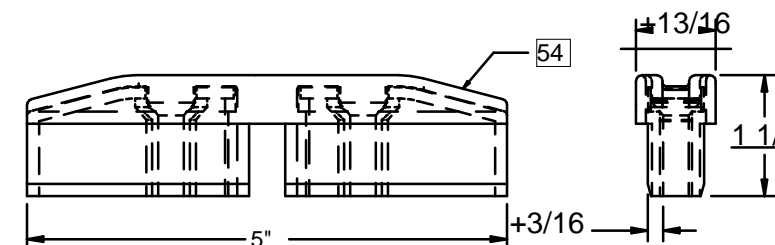
Block, Anti-Lift
 P-5477, Nylon



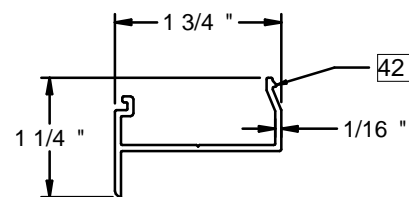
Screen, 3-Track Sill - 2058



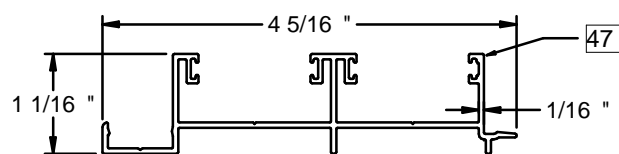
Screen, 3-Track Head - 2056



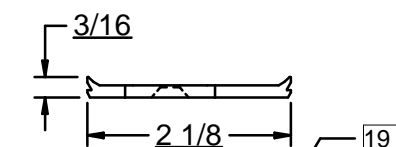
Screen, Snap Cover - 2059



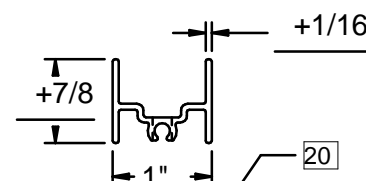
Screen, Astragal - 2136



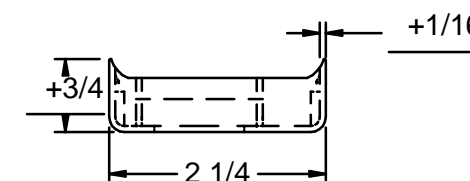
Screen, 2-Track Jamb - 2054



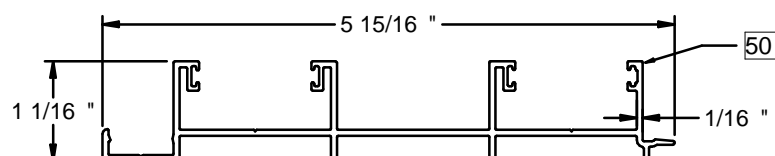
Panel Guide, Interlock - P-5517



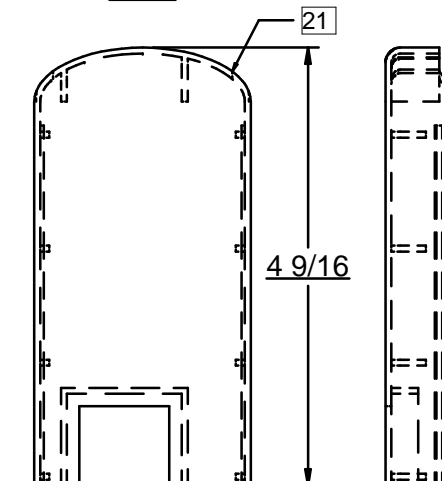
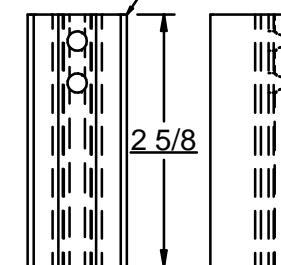
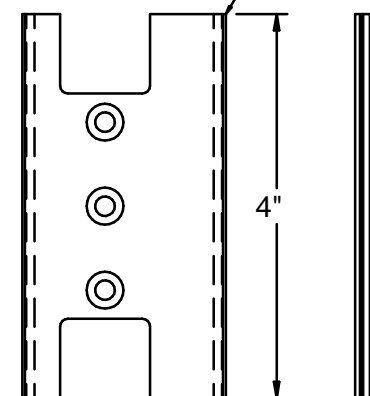
Support Channel, Bot
 Rail - Interlock - P-5558



Cover, Interlock - Reinf.
 P-5511, Nylon



Screen, 3-Track Jamb - 2057



NOTE: ALL ALUMINUM EXTRUSIONS ARE 6063-T6 UNLESS OTHERWISE NOTED.

**580 PVC
 MULTI-SLIDING
 PATIO DOOR
 NON-IMPACT**

PROPRIETARY AND CONFIDENTIAL
 THE INFORMATION CONTAINED IN
 THIS DRAWING IS THE SOLE
 PROPERTY OF CUSTOM WINDOW
 SYSTEMS, INC. ANY
 REPRODUCTION IN PART OR AS A
 WHOLE WITHOUT THE WRITTEN
 PERMISSION OF CUSTOM WINDOW
 SYSTEMS, INC IS PROHIBITED.

FLORIDA APPROVAL NO.:
 33463



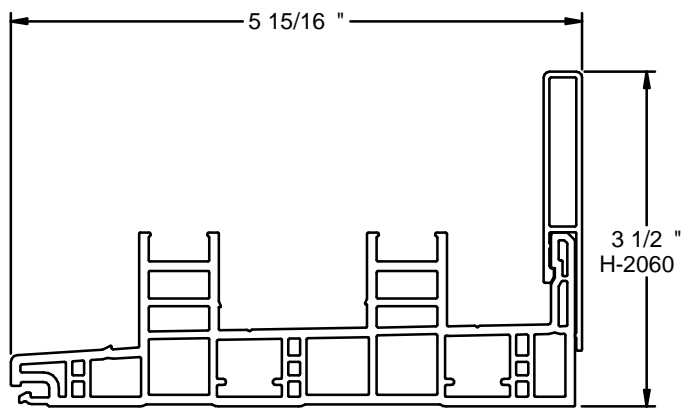
10/2/2023

LUCAS A. TURNER, P.E.
 FL PE # 58201
 Turner Engineering &
 Consulting, Inc.
 2428 Old Natchez Trc Trl
 Camden, TN 38320
 PH. 941-380-1574

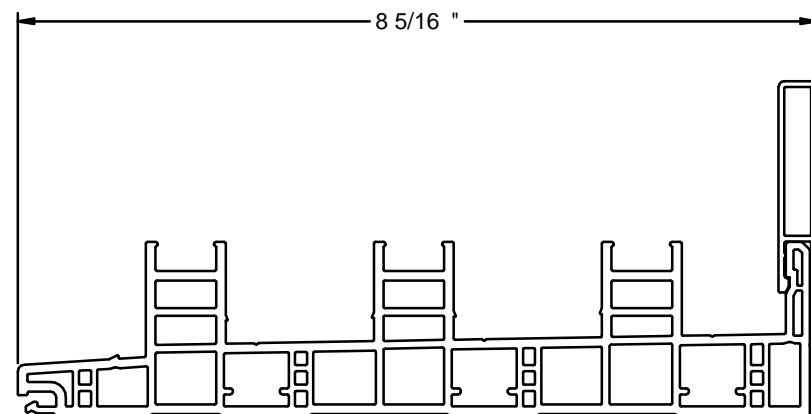
SHEET DESCRIPTION:

TRACK WIDTHS

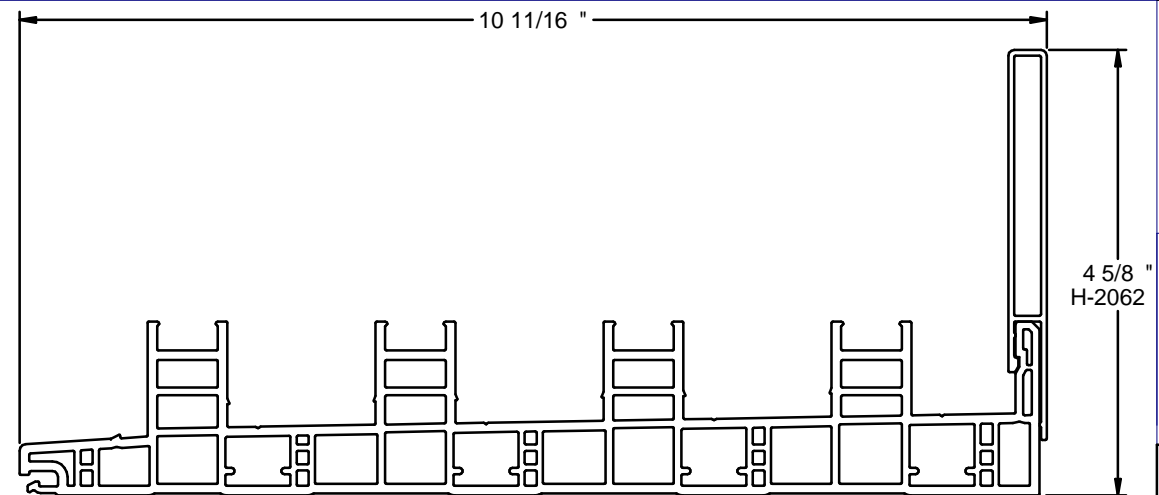
| | |
|--------------------|--------------------|
| DRAWN BY: MCS | DATE: 9/21/2023 |
| DWG #: PEL-1148 | REV.: A |
| SCALE: 1:2 | SHEET 7 OF 12 |



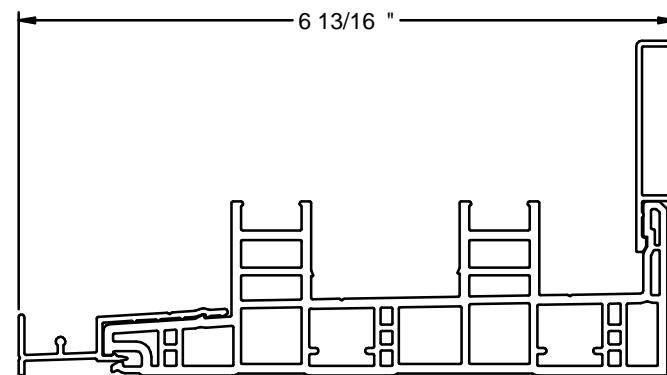
2T Sill w/Riser



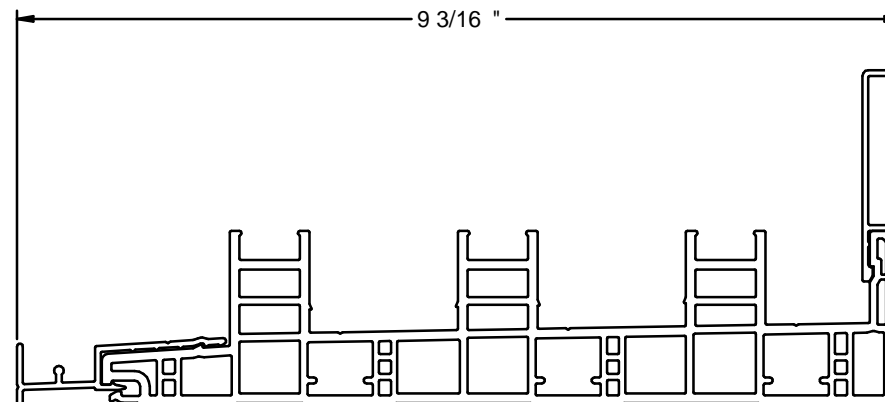
3T Sill w/Riser



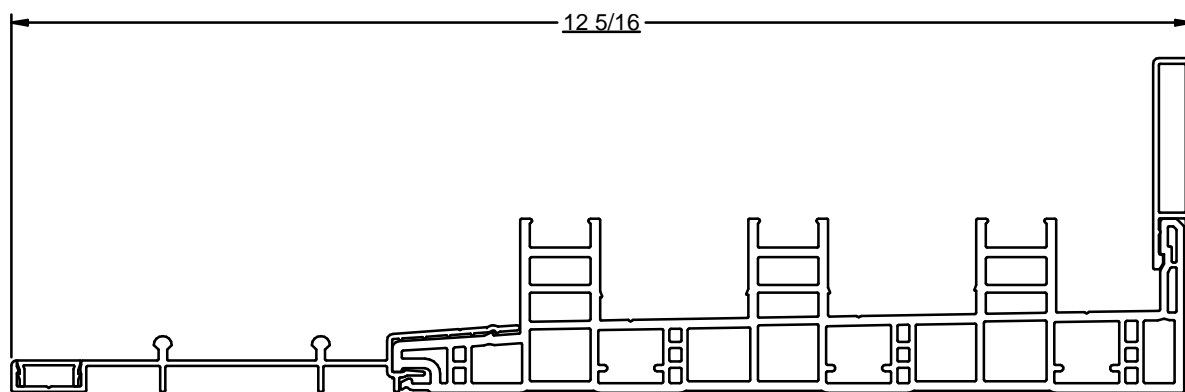
4T Sill w/Riser



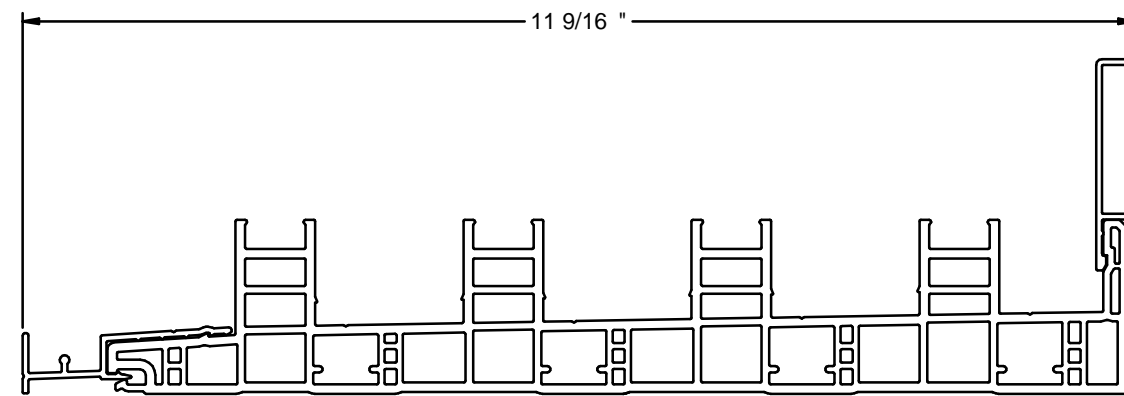
2T Sill w/ 1T Screen



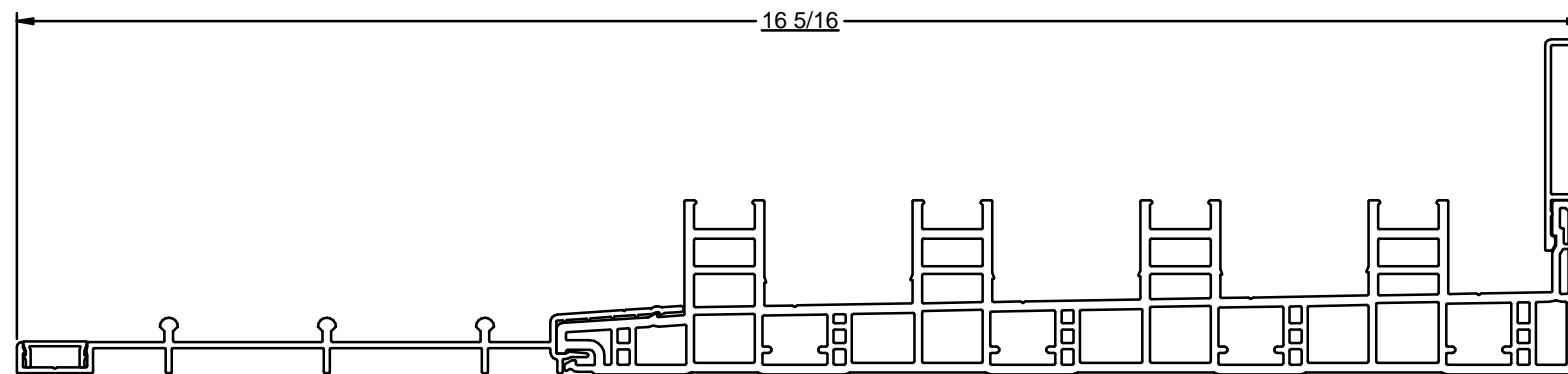
3T Sill w/ 1T Screen



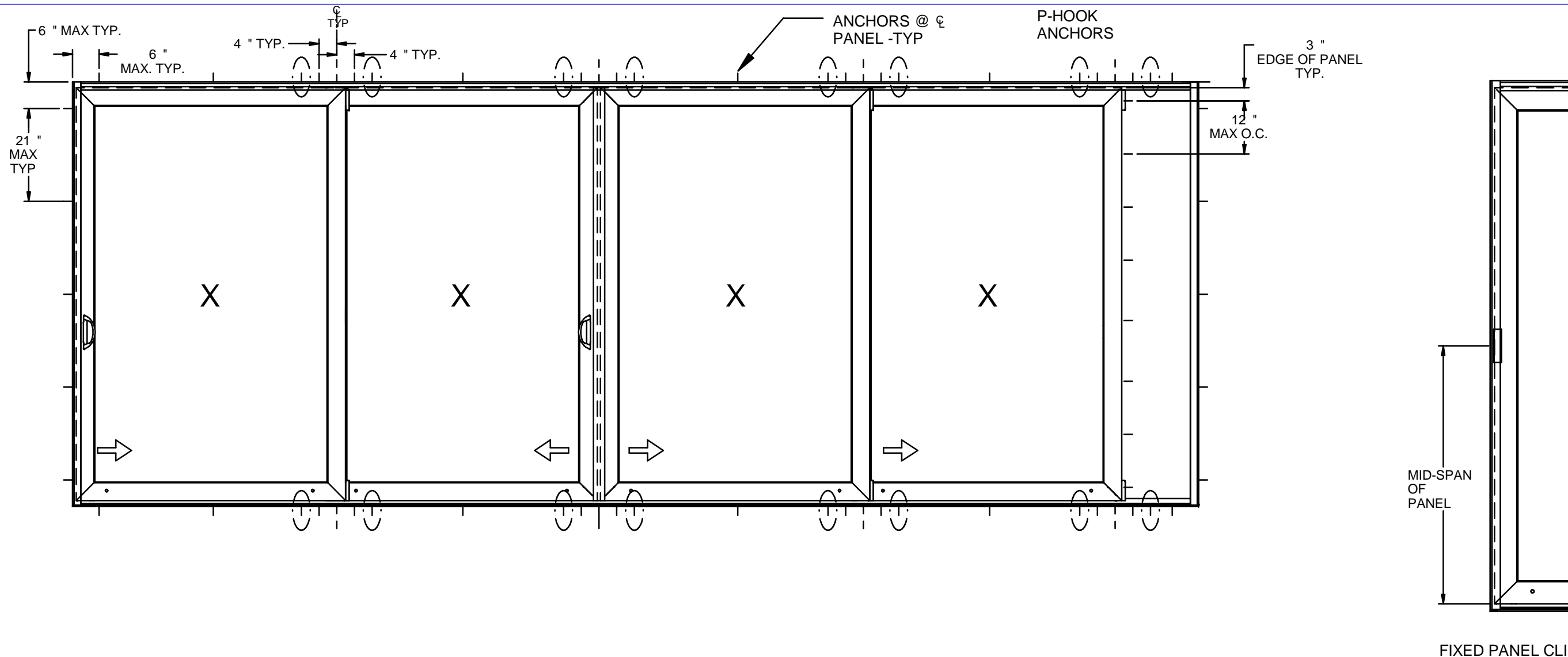
3T Sill w/ 2T Screen



4T Sill w/ 1T Screen



4T Sill w/ 3T Screen



**580 PVC
MULTI-SLIDING
PATIO DOOR
NON-IMPACT**

PROPRIETARY AND CONFIDENTIAL
THE INFORMATION CONTAINED IN THIS DRAWING IS THE SOLE PROPERTY OF CUSTOM WINDOW SYSTEMS, INC. ANY REPRODUCTION IN PART OR AS A WHOLE WITHOUT THE WRITTEN PERMISSION OF CUSTOM WINDOW SYSTEMS, INC IS PROHIBITED.

FLORIDA APPROVAL NO.:
33463



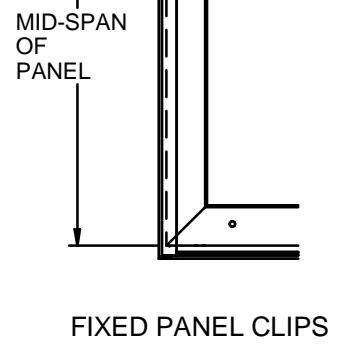
10/2/2023

LUCAS A. TURNER, P.E.
FL PE # 58201
Turner Engineering & Consulting, Inc.
2428 Old Natchez Trc Trl
Camden, TN 38320
PH. 941-380-1574

SHEET DESCRIPTION:
ANCHOR SCHEDULE AND NOTES

| | |
|--------------------|--------------------|
| DRAWN BY: MCS | DATE: 9/21/2023 |
| DWG #: PEL-1148 | REV.: A |
| SCALE: 1:25 | SHEET 8 OF 12 |

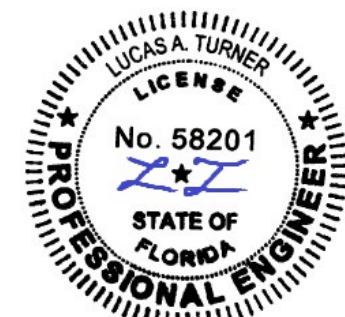
- NOTES:
- * CIRCLED ANCHOR LOCATIONS REQ'D ONLY IN WOOD INSTALLATIONS. (SEE NEXT SHEET FOR DETAIL)
 - 1. INSTALL TWO ANCHORS AT EACH INSTALLATION LOCATION (SEE LAYOUT DETAILS ON SHEETS 8 & 9) EXCEPT FOR 2T SILL & WOOD INSTALLATION LOCATIONS. SEE SPECIAL LOCATIONS AND SPACING FOR 2T SILL (SHEET 8). INSTALL ONE ANCHOR AT EACH WOOD INSTALLATION LOCATION (CIRCLED). SILL ANCHOR SPACING SAME AS HEAD FOR 3T AND 4T. INSTALL ONE ANCHOR AT EACH LOCATION IN HOOKSTRIP.
 - 2. SHIM AS REQ AT EACH INSTALLATION ANCHOR USING LOAD BEARING SHIMS. MAX. ALLOWABLE SHIM STACK TO BE 1/4". USE SHIMS WHERE SPACE GREATER THAN 1/16" IS PRESENT. LOAD BEARING SHIMS SHALL BE CONSTRUCTED OF HIGH DENSITY PLASTIC OR BETTER. WOOD SHIMS ARE NOT ALLOWED.
 - 3. ANCHOR TYPE, SIZE, SPACING AND EMBEDMENT SHALL BE AS SPECIFIED IN THESE DRAWINGS, SEE TABLE 1, SHEET 11
 - 4. ALL INSTALLATION ANCHORS MUST BE MADE OF OR PROTECTED WITH A CORROSION RESISTANT MATERIAL OR COATING. DISSIMILAR METALS OR MATERIALS IN CONTACT WITH PRESSURE TREATED WOOD MUST BE PROTECTED TO PREVENT REACTION.
 - 5. INSTALLATION ANCHORS SHALL BE IN ACCORDANCE WITH ANCHOR MANUFACTURER'S INSTALLATION INSTRUCTIONS, AND ANCHORS SHALL NOT BE USED IN SUBSTRATES WITH STRENGTHS LESS THAN THE MINIMUM SPECIFIED IN TABLE 1, SHEET 11.
 - 6. ANCHOR EMBEDMENT TO SUBSTRATE SHALL BE BEYOND WALL DRESSING OR STUCCO. FOR CONCRETE/CMU OPENINGS, EMBEDMENT SHALL BE BEYOND WOOD BUCKS, IF USED, INTO SUBSTRATE. INSTALLATIONS TO SOLID CONCRETE OR GROUT-FILLED CMU MAY INCLUDE BUT DO NOT REQUIRE 1X WOOD BUCKS BETWEEN THE PRODUCT AND SUBSTRATE. INSTALLATIONS TO HOLLOW CMU REQUIRE THE USE OF 1X BUCKS BETWEEN THE PRODUCT AND SUBSTRATE.
 - 7. A MINIMUM CENTER-TO-CENTER SPACING SHALL BE MAINTAINED BETWEEN ALL FASTENERS: 3" FOR SOLID CONCRETE, 6" FOR CMU MASONRY, 1" FOR WOOD AND METAL.
 - 8. WOOD OR MASONRY OPENINGS, BUCKS AND BUCK FASTENERS SHALL BE PROPERLY DESIGNED BY THE ARCHITECT OR ENGINEER OF RECORD AND INSTALLED TO TRANSFER WIND LOADS TO THE STRUCTURE. SUBSTRATES SHALL MEET THE MINIMUM STRENGTH REQUIREMENTS AS SHOWN IN TABLE1, SHEET 11. CONCRETE AND MASONRY SUBSTRATES MAY NOT BE CRACKED.
 - 9. SEALING AND FLASHING STRATEGIES FOR OVERALL WATER RESISTANCE OF INSTALLATION SHALL BE DONE BY OTHERS FOLLOWING THE CURRENT VERSION OF THE REFERENCE DOCUMENTS: FMA/AAMA 100(FIN WINDOWS), FMA/AAMA 200(FLANGE WINDOWS), FMA/WDMA 250(BOX WINDOWS), FMA/AAMA/WDMA 300(EXTERIOR DOORS)



**580 PVC
MULTI-SLIDING
PATIO DOOR
NON-IMPACT**

PROPRIETARY AND CONFIDENTIAL
THE INFORMATION CONTAINED IN THIS DRAWING IS THE SOLE PROPERTY OF CUSTOM WINDOW SYSTEMS, INC. ANY REPRODUCTION IN PART OR AS A WHOLE WITHOUT THE WRITTEN PERMISSION OF CUSTOM WINDOW SYSTEMS, INC IS PROHIBITED.

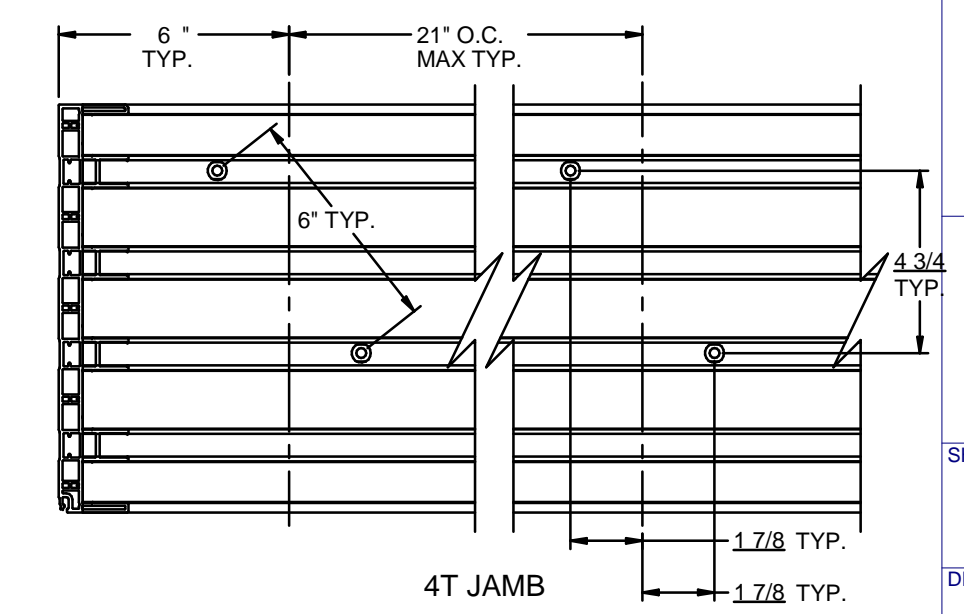
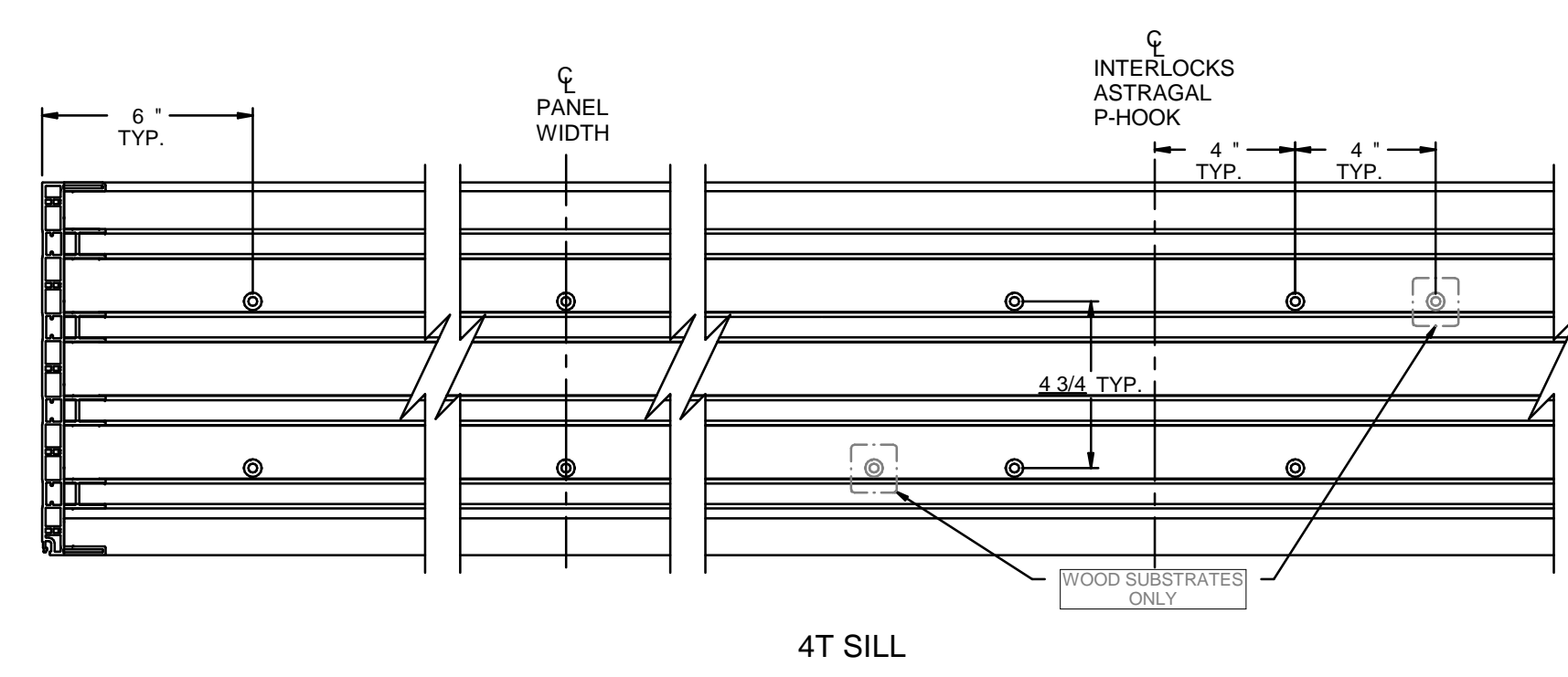
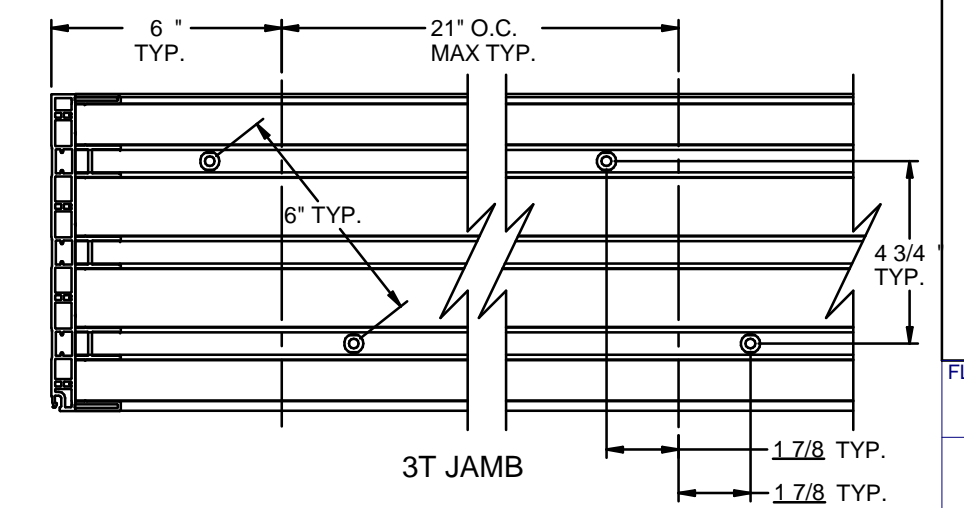
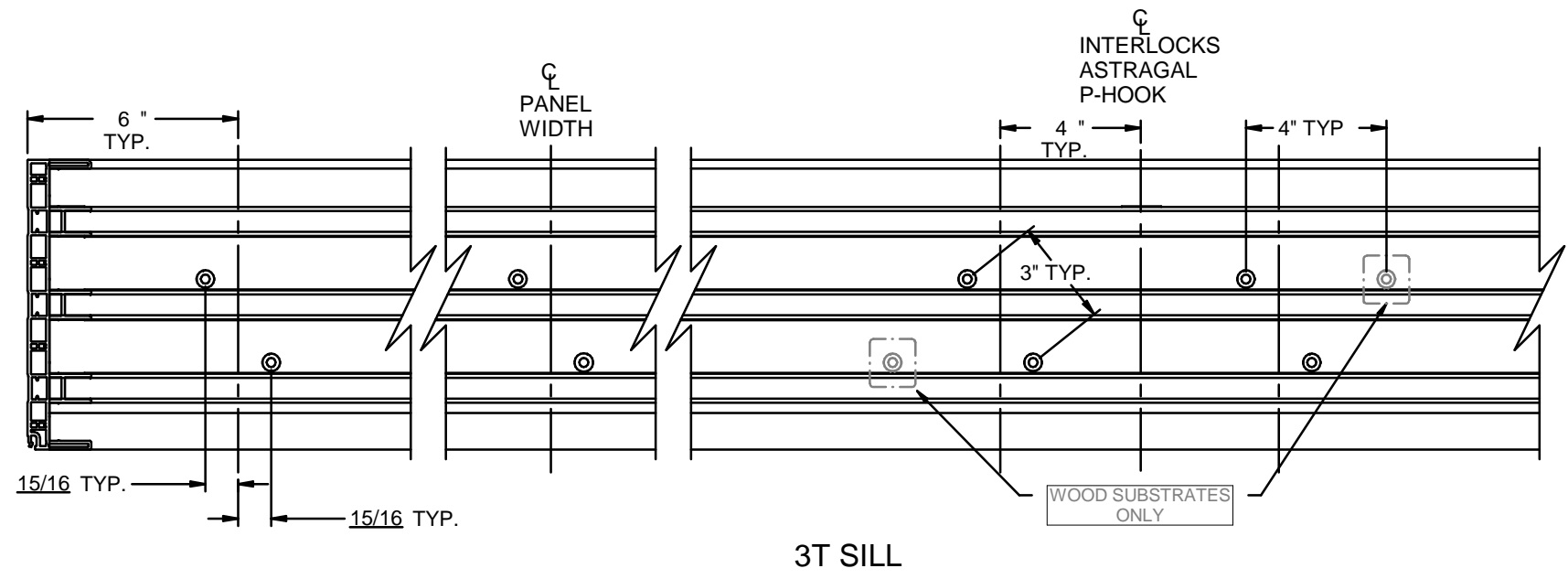
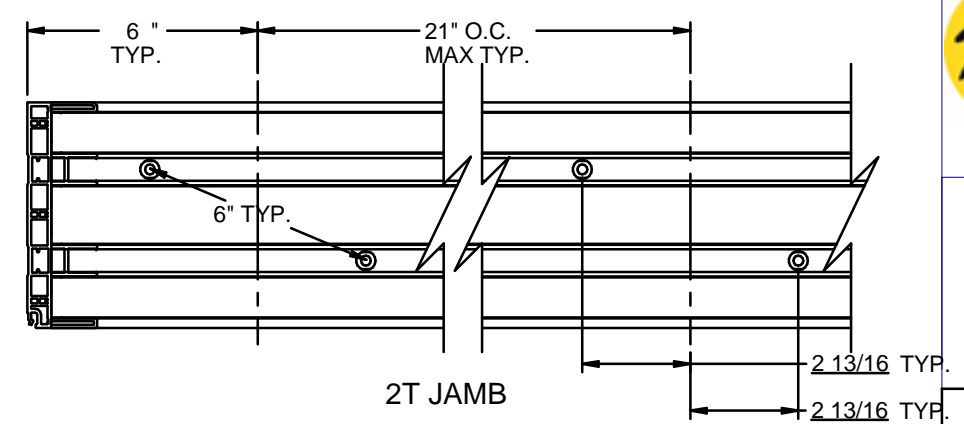
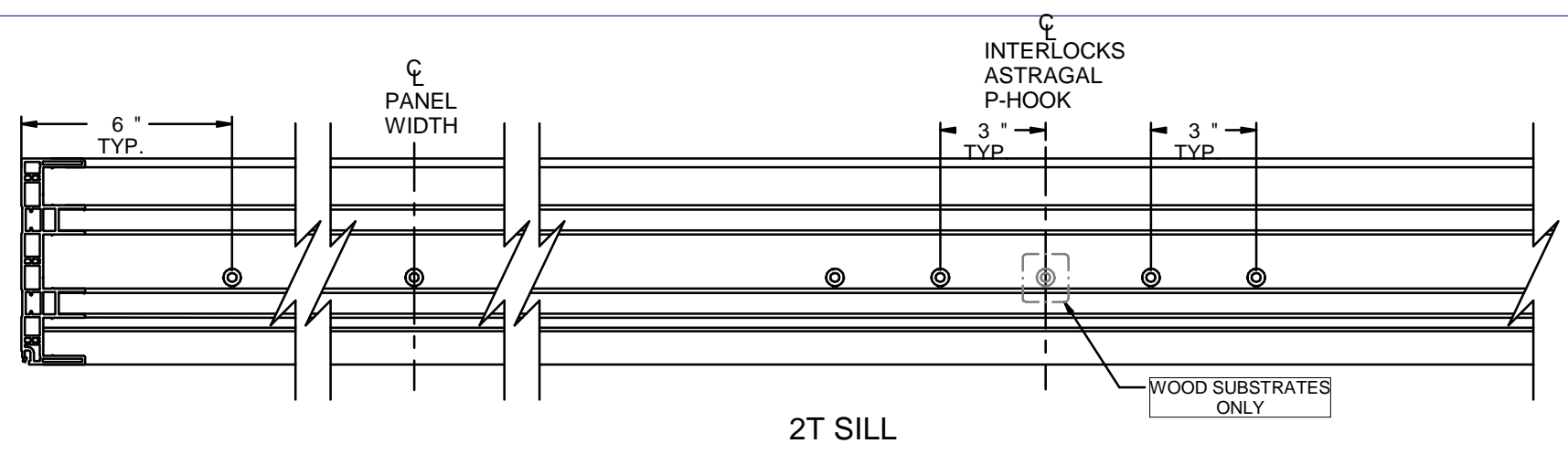
FLORIDA APPROVAL NO.:
33463



10/2/2023
LUCAS A. TURNER, P.E.
FL PE # 58201
Turner Engineering & Consulting, Inc.
2428 Old Natchez Trc Trl
Camden, TN 38320
PH. 941-380-1574

SHEET DESCRIPTION:
**ANCHOR PATTERNS
(JAMB & SILL)**

| | |
|--------------------|--------------------|
| DRAWN BY: MCS | DATE: 9/21/2023 |
| DWG #: PEL-1148 | REV.: A |
| SCALE: 1:5 | SHEET 9 OF 12 |



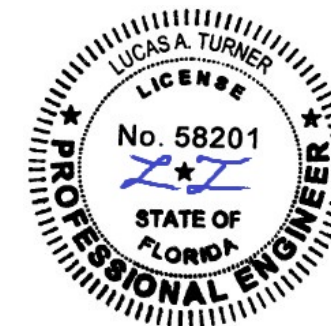
NOTE: C = CENTERLINE OF INTERLOCK OR ASTRAGAL

* CIRCLED ANCHOR LOCATIONS REQ'D ONLY IN WOOD INSTALLATIONS.

**580 PVC
 MULTI-SLIDING
 PATIO DOOR
 NON-IMPACT**

PROPRIETARY AND CONFIDENTIAL
 THE INFORMATION CONTAINED IN
 THIS DRAWING IS THE SOLE
 PROPERTY OF CUSTOM WINDOW
 SYSTEMS, INC. ANY
 REPRODUCTION IN PART OR AS A
 WHOLE WITHOUT THE WRITTEN
 PERMISSION OF CUSTOM WINDOW
 SYSTEMS, INC IS PROHIBITED.

FLORIDA APPROVAL NO.:
 33463

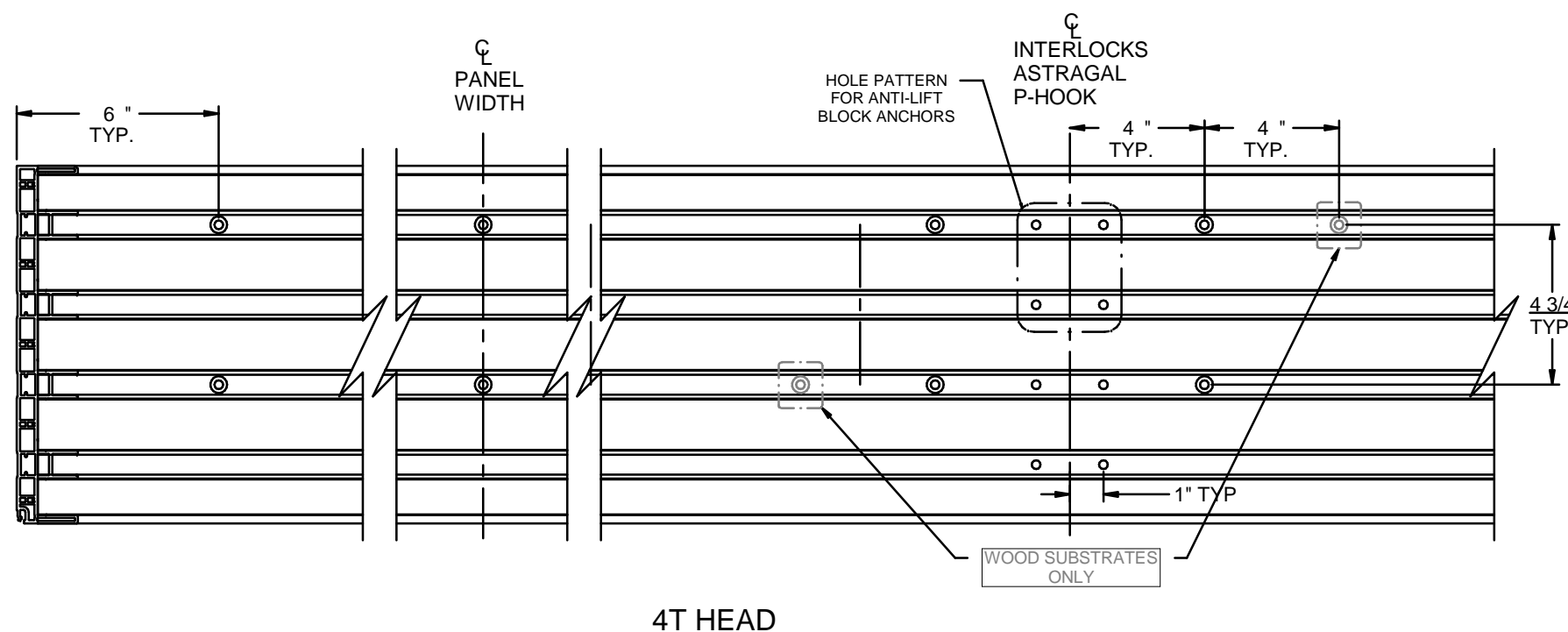
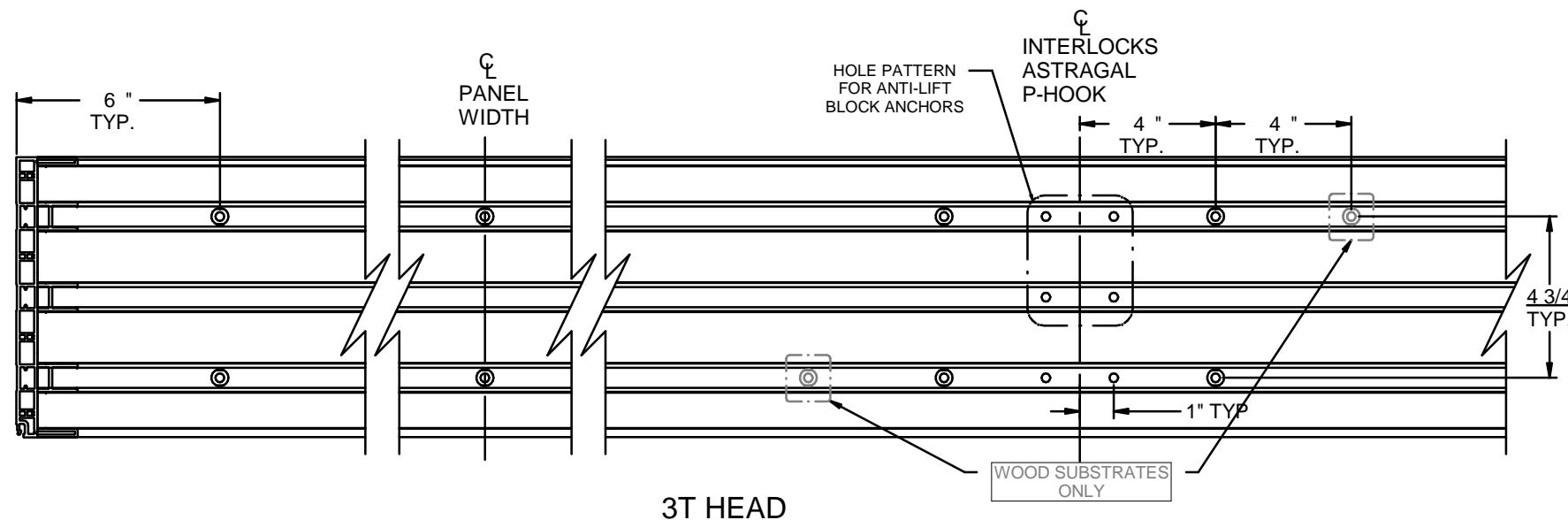
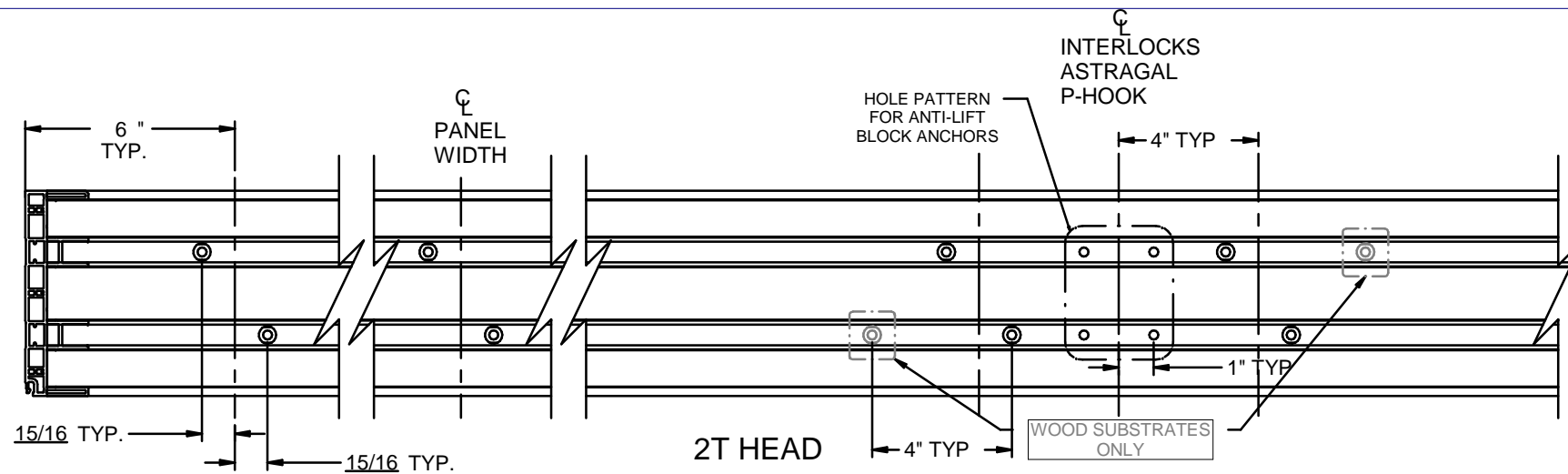


10/2/2023

LUCAS A. TURNER, P.E.
 FL PE # 58201
 Turner Engineering &
 Consulting, Inc.
 2428 Old Natchez Trc Trl
 Camden, TN 38320
 PH. 941-380-1574

SHEET DESCRIPTION:
**ANCHOR PATTERNS
 (HEAD)**

| | |
|--------------------|--------------------|
| DRAWN BY: MCS | DATE: 9/21/2023 |
| DWG #: PEL-1148 | REV.: A |
| SCALE: 1:5 | SHEET 10 OF 12 |



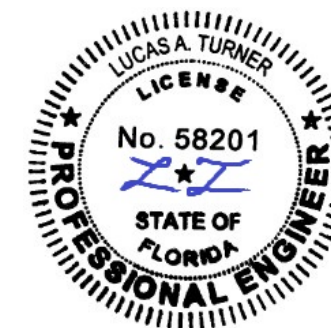
* CIRCLED ANCHOR LOCATIONS REQ'D ONLY IN WOOD INSTALLATIONS.

NOTE: C = CENTERLINE OF INTERLOCK OR ASTRAGAL

**580 PVC
 MULTI-SLIDING
 PATIO DOOR
 NON-IMPACT**

PROPRIETARY AND CONFIDENTIAL
 THE INFORMATION CONTAINED IN
 THIS DRAWING IS THE SOLE
 PROPERTY OF CUSTOM WINDOW
 SYSTEMS, INC. ANY
 REPRODUCTION IN PART OR AS A
 WHOLE WITHOUT THE WRITTEN
 PERMISSION OF CUSTOM WINDOW
 SYSTEMS, INC IS PROHIBITED.

FLORIDA APPROVAL NO.:
 33463



10/2/2023

LUCAS A. TURNER, P.E.
 FL PE # 58201
 Turner Engineering &
 Consulting, Inc.
 2428 Old Natchez Trc Trl
 Camden, TN 38320
 PH. 941-380-1574

SHEET DESCRIPTION:
**INSTALLATION DETAILS
 2 TRACK**

| | |
|---------------------------|---------------------------|
| DRAWN BY: MCS | DATE: 9/21/2023 |
| DWG #: PEL-1148 | REV.: A |
| SCALE: 1:3 | SHEET 11 OF 12 |

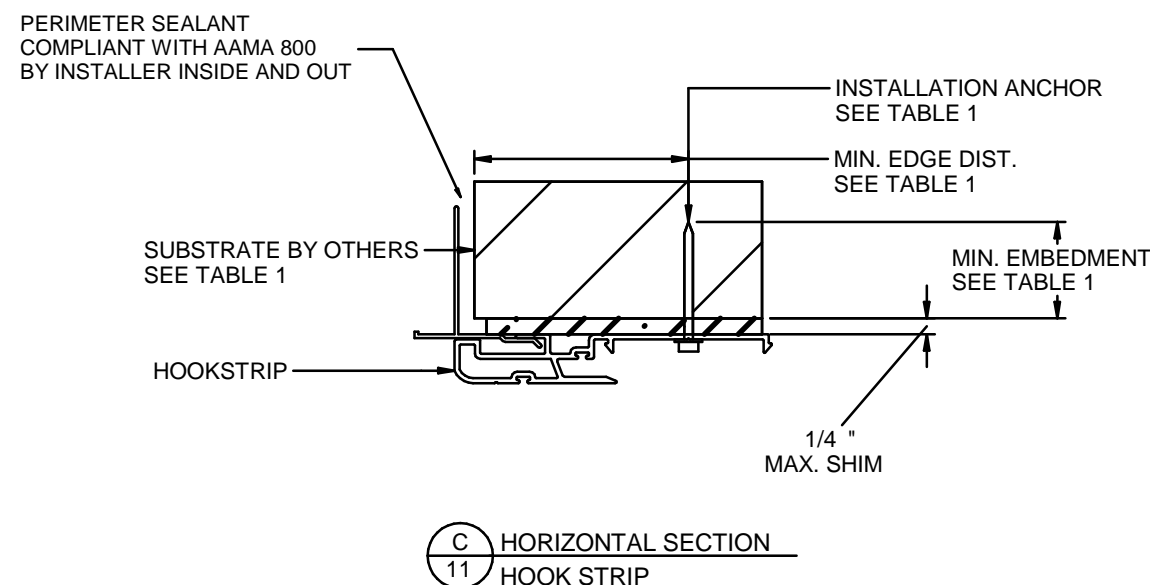
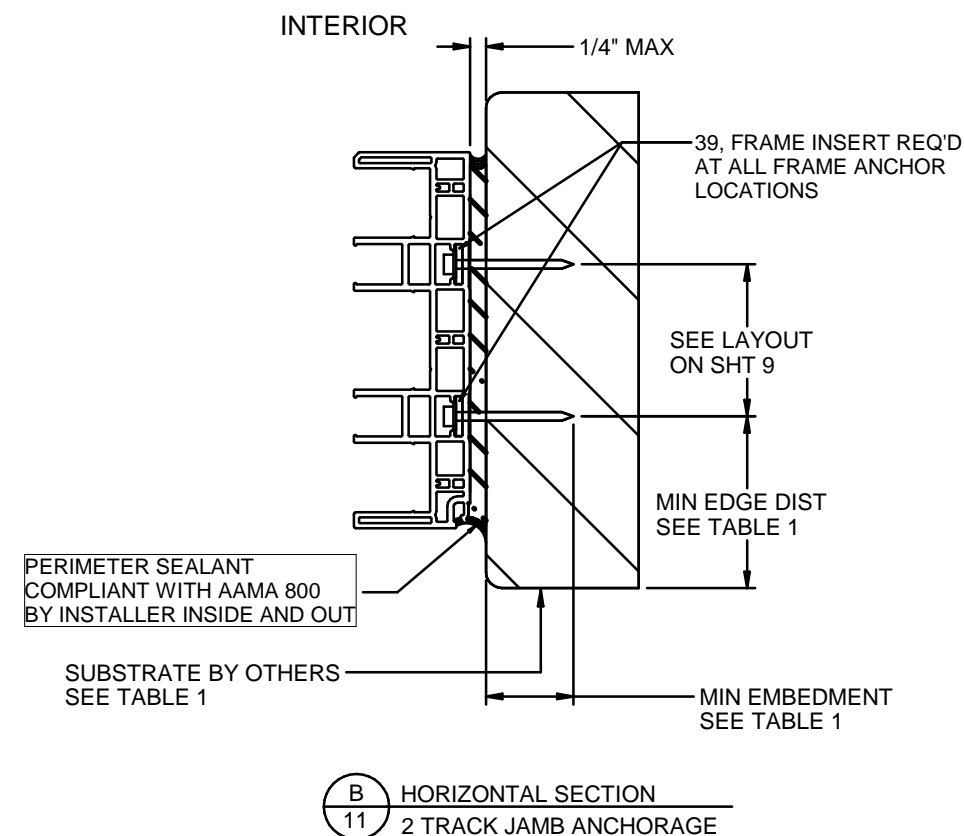
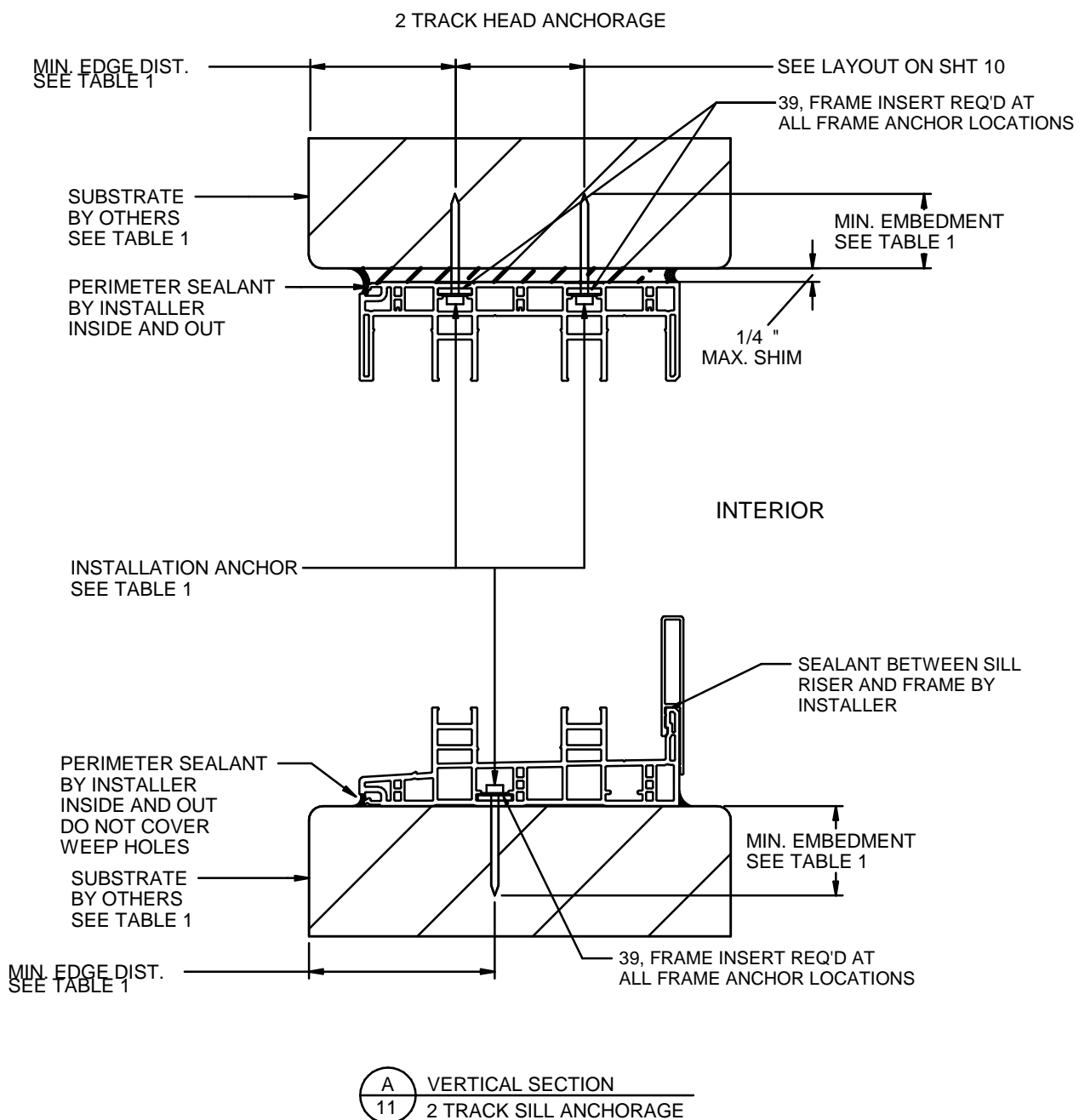


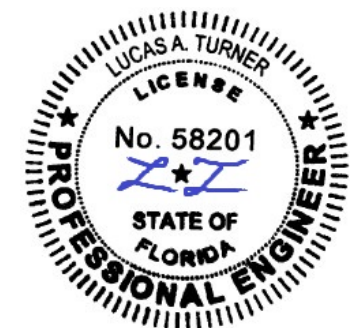
TABLE 1: APPROVED INSTALLATION FASTENERS

| SUBSTRATE TYPE | ANCHOR TYPE | MIN. EMBEDMENT | MIN. EDGE DIST. |
|--|--|-------------------------|-----------------|
| CONCRETE (2.0 KSI MIN.) | 1/4" ITW TAPCON | 1-1/2" | 4" |
| CONCRETE (3.05 KSI MIN.) | 1/4" DEWALT ULTRACON+ | 1-3/4" | 2-1/2" |
| 2X MIN. SOUTHERN PINE (G=0.55) | 1/4" ITW TAPCON OR DEWALT ULTRACON+ | 1-3/8" | 7/8" |
| 2X MIN. SOUTHERN PINE (G=0.55) | #12 WOOD SCREW | 1-3/8" | 7/8" |
| 16 GAUGE (0.060") MIN. STEEL STUD (33 KSI YIELD MIN) | #12-14 HILTI KWIK-FLEX OR ITW TEKS SELF-DRILLING SCREW | FULL THREAD THRU 0.060" | 1/2" |
| 1/8" ALUM. (6063-T5 MIN.) OR 1/8" STEEL (33 KSI MIN.) | #12 GRADE 5 SELF-TAPPING / DRILLING SCREW | FULL THREAD THRU 0.125" | 1/2" |
| HOOKSTRIP OR JAMB FRAME ONLY: HOLLOW OR GROUT-FILLED CMU (ASTM C-90) | 1/4" DEWALT ULTRACON+ | 1-3/4" | 2-1/2" |

**580 PVC
MULTI-SLIDING
PATIO DOOR
NON-IMPACT**

PROPRIETARY AND CONFIDENTIAL
THE INFORMATION CONTAINED IN THIS DRAWING IS THE SOLE PROPERTY OF CUSTOM WINDOW SYSTEMS, INC. ANY REPRODUCTION IN PART OR AS A WHOLE WITHOUT THE WRITTEN PERMISSION OF CUSTOM WINDOW SYSTEMS, INC IS PROHIBITED.

FLORIDA APPROVAL NO.:
33463



10/2/2023
LUCAS A. TURNER, P.E.
FL PE # 58201
Turner Engineering & Consulting, Inc.
2428 Old Natchez Trc Trl
Camden, TN 38320
PH. 941-380-1574

SHEET DESCRIPTION:
INSTALLATION DETAILS
3 & 4 TRACK

| | |
|-----------|-----------|
| DRAWN BY: | DATE: |
| MCS | 9/21/2023 |
| DWG #: | REV.: |
| PEL-1148 | A |
| SCALE: | SHEET |
| 1:3 | 12 OF 12 |

