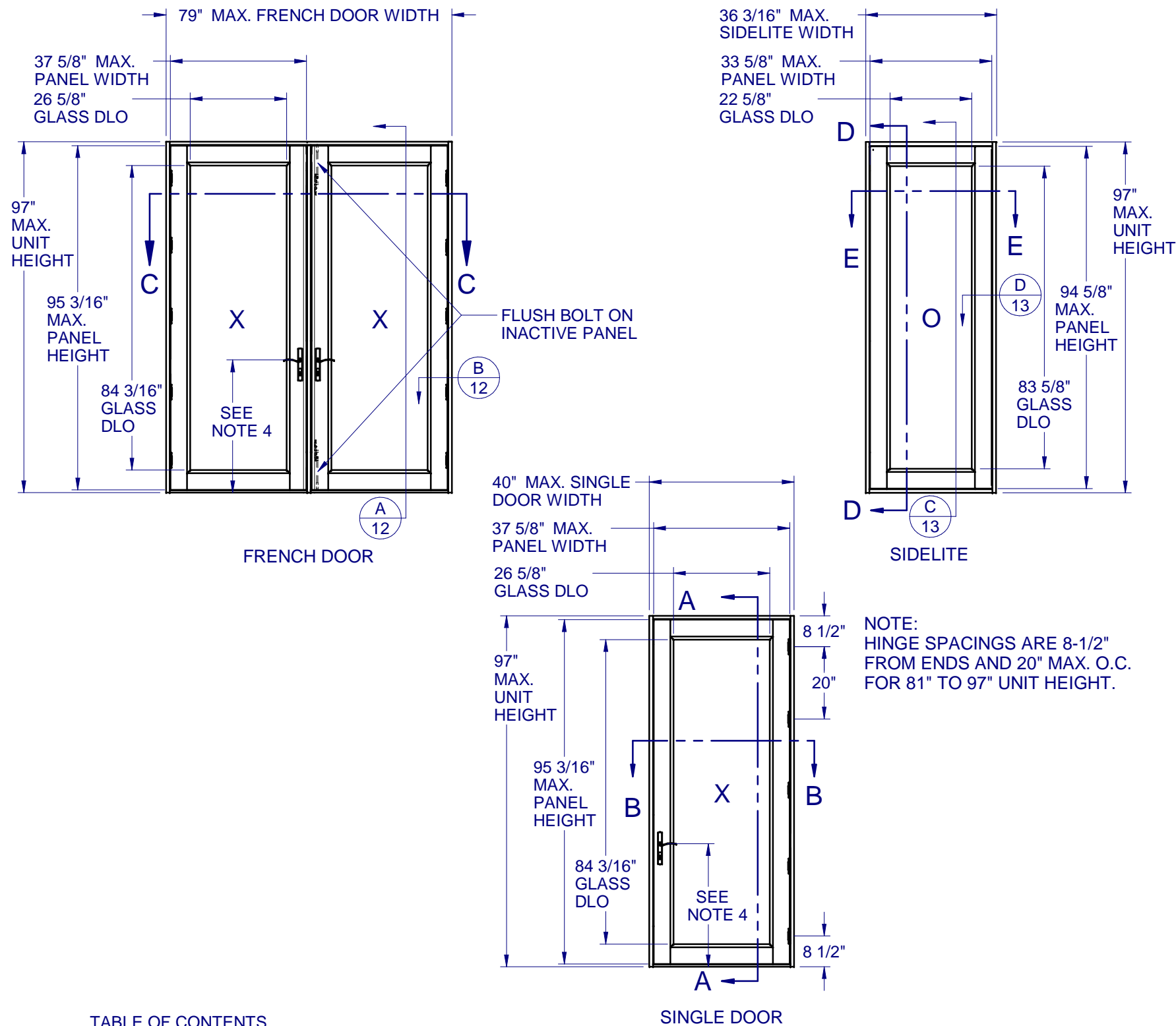


SWING DOOR & SIDELITE - NON-IMPACT



GENERAL NOTES:

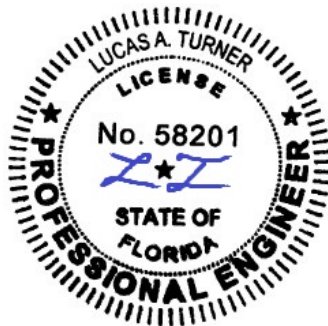
- THE PRODUCT SHOWN HEREIN IS DESIGNED AND MANUFACTURED TO COMPLY WITH FLORIDA BUILDING CODE (FBC), CURRENT EDITION.
- GLAZING OPTIONS: (SEE SHEET 4)
- CONFIGURATIONS: SINGLE OUTSWING, SINGLE OUTSWING w/SIDELITE(S), FRENCH DOOR(S), FRENCH DOOR(S) w/SIDELITE(S), SIDELITE NOT ATTACHED.
- LOCK OPTIONS:
 UP TO 6'8":
 A. DOUBLE BORE w/TWO (2) INTERIOR FLUSH BOLTS. HANDLE SET @ 36"
 B. MORTISE LOCK w/ TWO (2) INTERIOR FLUSH BOLTS. HANDLE SET @ 34"
 C. MULTIPOINT (4 PT.) HANDLE SET @ 34"
 ABOVE 6'8":
 A. MULTIPOINT (5 PT.) HANDLE SET @ 34"
- DESIGN PRESSURE RATING (SEE SHEET 4):
 -NEGATIVE DESIGN LOADS BASED ON, TESTED PRESSURE AND GLASS TABLES ASTM E-1300-04e01/9.
 -POSITIVE DESIGN LOADS BASED ON, TESTED PRESSURE, WATER INFILTRATION TEST PRESSURE AND GLASS TABLES ASTM E-1300-04e01/09.
- ANCHORAGE: THE 33 1/3% STRESS INCREASE HAS NOT BEEN USED IN THE DESIGN OF THIS PRODUCT. SEE SHEETS 12-13 FOR ANCHOR DETAILS. WINDLOAD DURATION FACTOR Cd=1.6 WAS USED FOR WOOD ANCHOR CALCULATIONS.
- NOT APPROVED FOR IMPACT RESISTANCE. IMPACT PROTECTIVE SYSTEM IS REQUIRED IN WIND BORNE DEBRIS REGION.
- ALL FRAMES ARE PROCESSED AND SCREWED TOGETHER. PANELS ARE PROCESSED AND ASSEMBLED VIA TIE ROD.
- THE DESIGNATION X AND O STAND FOR THE FOLLOWING:
 X = OPERABLE SASH, O = FIXED SASH
- SECTION CALLOUTS APPLY TO ALL CONFIGURATIONS IN A SIMILAR LOCATION.
- INTERIOR FLUSH BOLTS ON ACTIVE PANEL TO BE ENGAGED PRIOR TO SEVERE WEATHER.
- QUALIFIED ALTERNATIVE LOCKSET/DEADBOLT HARDWARE IS GRADE 2 BY PAMEX AND DELANY.
- MAX. PANEL WIDTHS APPLY TO ALL CONFIGURATIONS, MULLED OR NON-MULLED UNITS.



570/571/575 PVC HINGED PATIO DOOR NON-IMPACT

PROPRIETARY AND CONFIDENTIAL
 THE INFORMATION CONTAINED IN THIS DRAWING IS THE SOLE PROPERTY OF CUSTOM WINDOW SYSTEMS, INC. ANY REPRODUCTION IN PART OR AS A WHOLE WITHOUT THE WRITTEN PERMISSION OF CUSTOM WINDOW SYSTEMS, INC IS PROHIBITED.

FLORIDA APPROVAL NO.:
 33465



10/11/2023

LUCAS A. TURNER, P.E.
 FL PE # 58201
 Turner Engineering & Consulting, Inc.
 2428 Old Natchez Trc Trl
 Camden, TN 38320
 PH. 941-380-1574

SHEET DESCRIPTION:
 GENERAL NOTES AND ELEVATIONS

DRAWN BY: MCS	DATE: 10/3/2023
DWG #: PEL-640	REV.: A
SCALE: 1:35	SHEET 1 OF 13

TABLE OF CONTENTS

GENERAL NOTES & ELEVATIONS.....	1-3
COMP. ANALYSIS & GLAZING DETAIL.....	4
SECTION VIEWS.....	5-7
BOM.....	8
EXTRUSIONS.....	9
ANCHOR SCHEDULE & NOTES.....	10-11
INSTALLATION DETAILS.....	12-13

TYPE	MAX. PANEL SIZE	DESIGN PRESSURE RATING	IMPACT RATING
SINGLE	37-5/8" x 95-3/16"	SEE COMPARATIVE ANALYSIS CHART, SHEET 4	NONE
FRENCH			
SIDELITE	33-5/8" x 94-5/8"		

**570/571/575 PVC
HINGED PATIO DOOR
NON-IMPACT**

PROPRIETARY AND CONFIDENTIAL
THE INFORMATION CONTAINED IN
THIS DRAWING IS THE SOLE
PROPERTY OF CUSTOM WINDOW
SYSTEMS, INC. ANY
REPRODUCTION IN PART OR AS A
WHOLE WITHOUT THE WRITTEN
PERMISSION OF CUSTOM WINDOW
SYSTEMS, INC IS PROHIBITED.

FLORIDA APPROVAL NO.:
33465



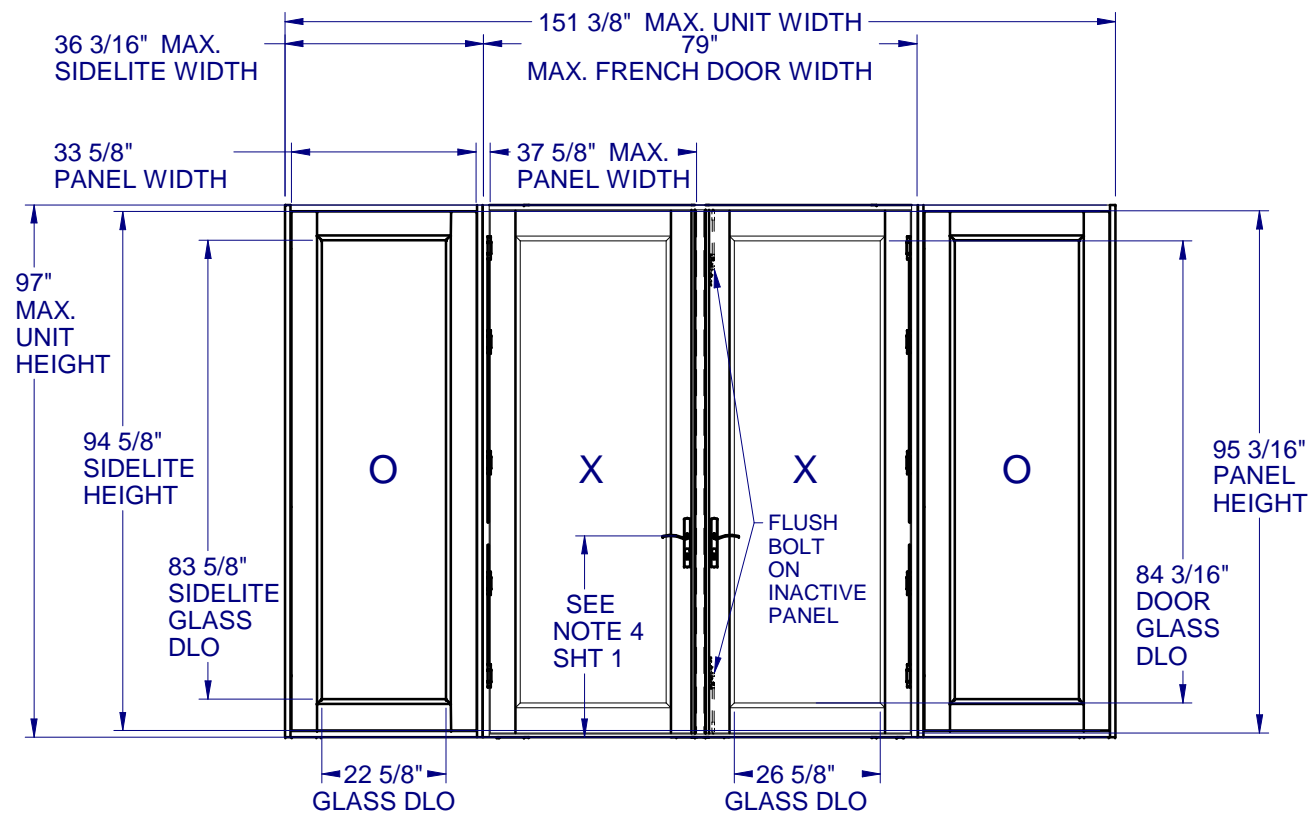
10/11/2023

LUCAS A. TURNER, P.E.
FL PE # 58201
Turner Engineering &
Consulting, Inc.
2428 Old Natchez Trc Trl
Camden, TN 38320
PH. 941-380-1574

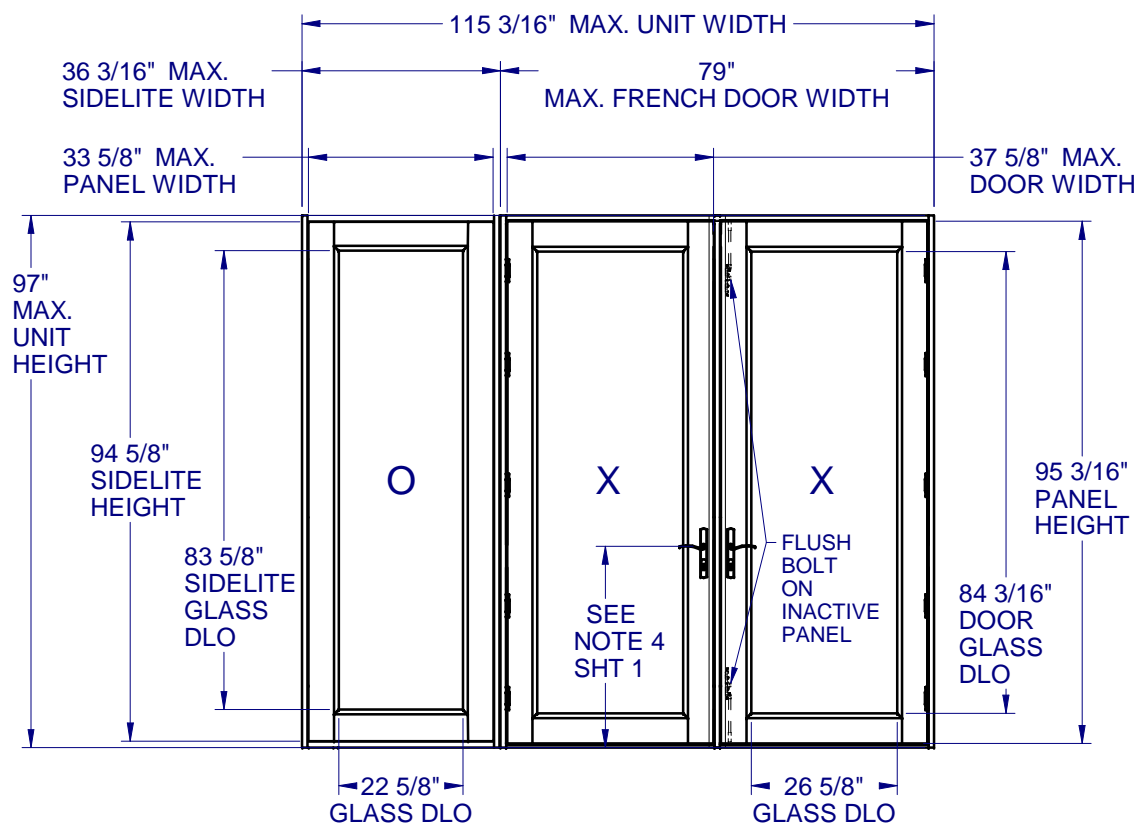
SHEET DESCRIPTION:

**GENERAL NOTES AND
ELEVATIONS**

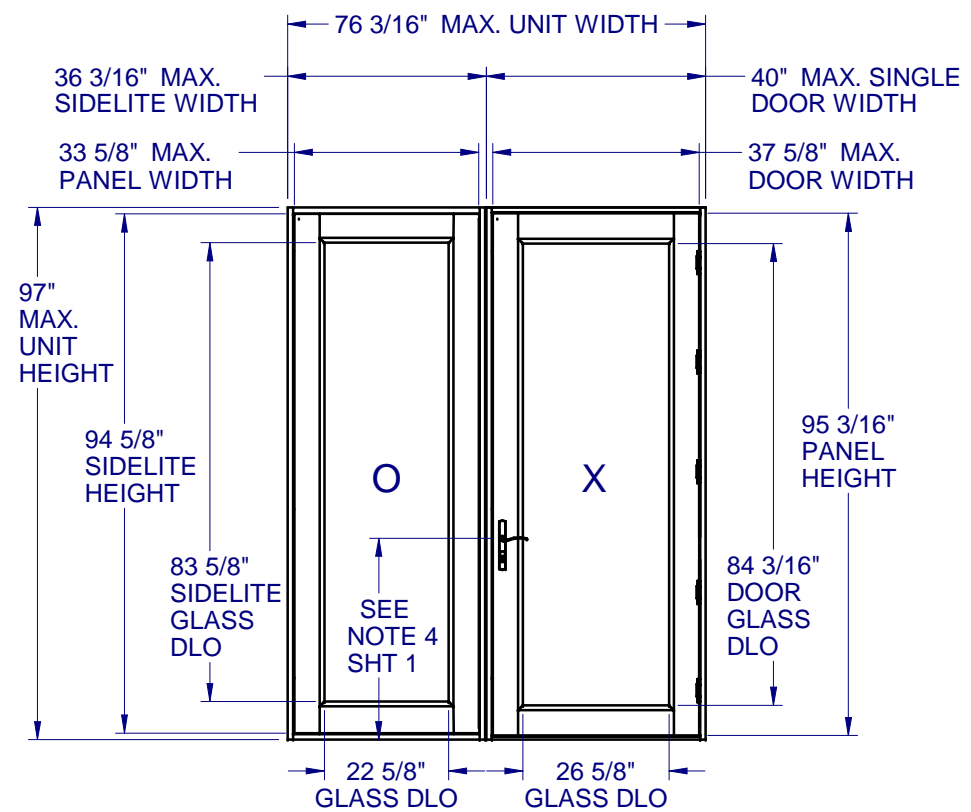
DRAWN BY:	DATE:
MCS	10/3/2023
DWG #:	REV.:
PEL-640	A
SCALE:	SHEET
1:35	2 OF 13



FRENCH DOOR w/SIDELITES



FRENCH DOOR w/SIDLITE

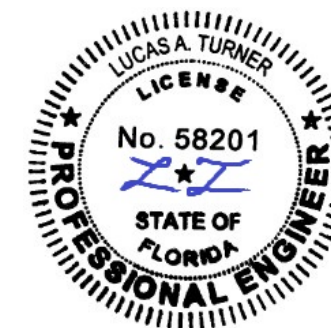


SINGLE DOOR w/SIDLITE

**570/571/575 PVC
HINGED PATIO DOOR
NON-IMPACT**

PROPRIETARY AND CONFIDENTIAL
THE INFORMATION CONTAINED IN
THIS DRAWING IS THE SOLE
PROPERTY OF CUSTOM WINDOW
SYSTEMS, INC. ANY
REPRODUCTION IN PART OR AS A
WHOLE WITHOUT THE WRITTEN
PERMISSION OF CUSTOM WINDOW
SYSTEMS, INC IS PROHIBITED.

FLORIDA APPROVAL NO.:
33465



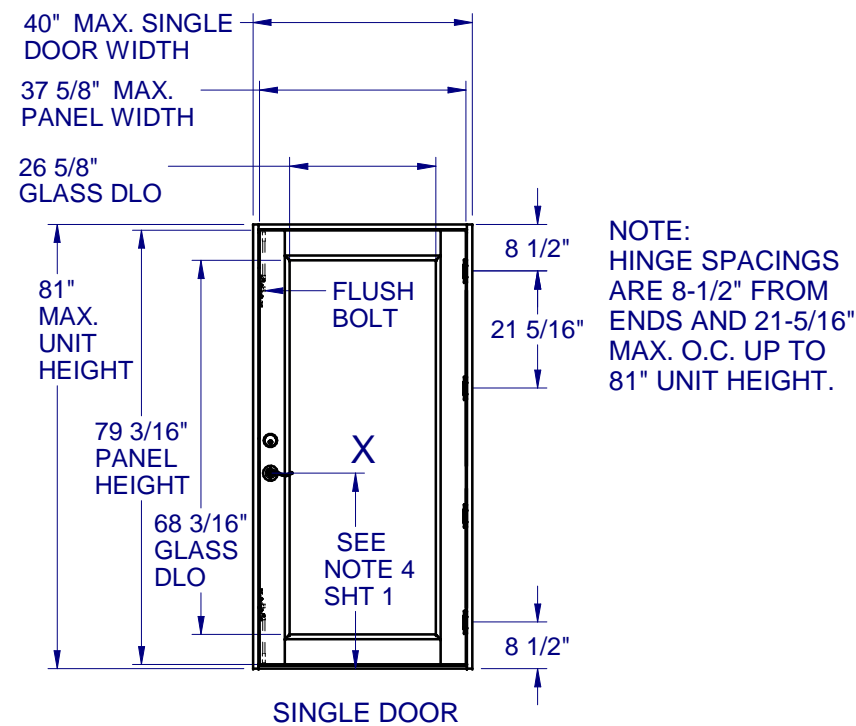
10/11/2023

LUCAS A. TURNER, P.E.
FL PE # 58201
Turner Engineering &
Consulting, Inc.
2428 Old Natchez Trc Trl
Camden, TN 38320
PH. 941-380-1574

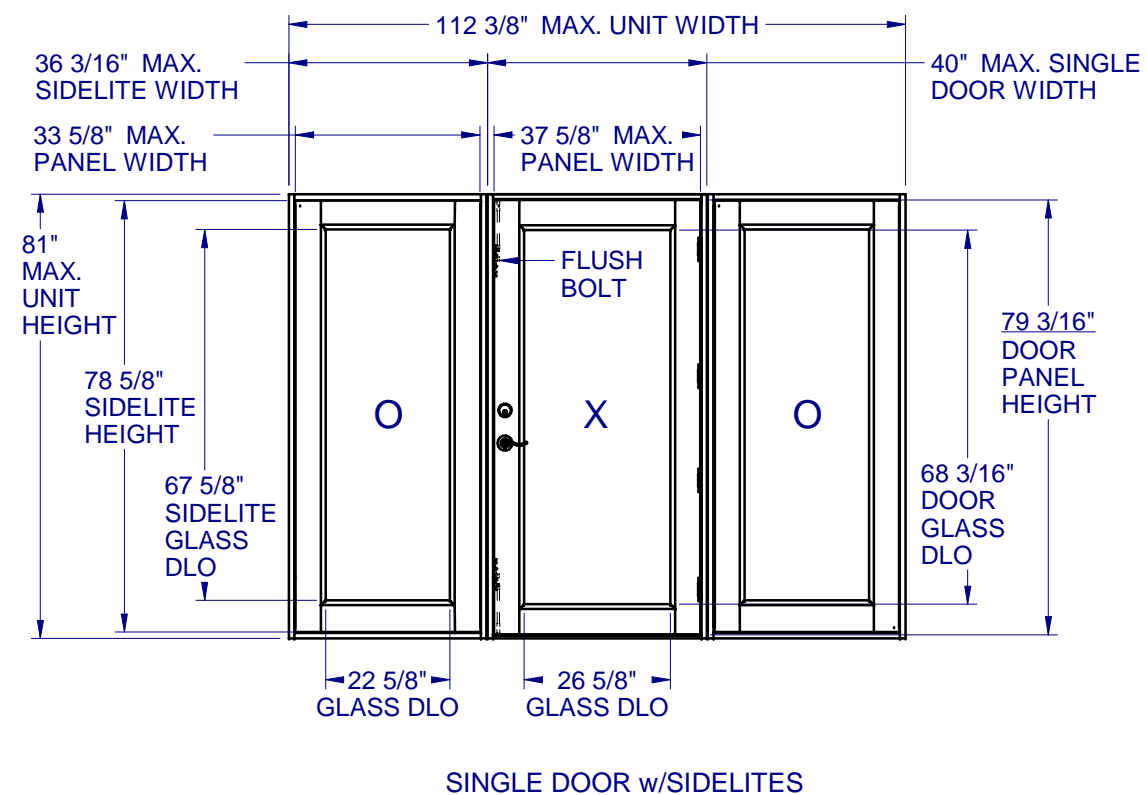
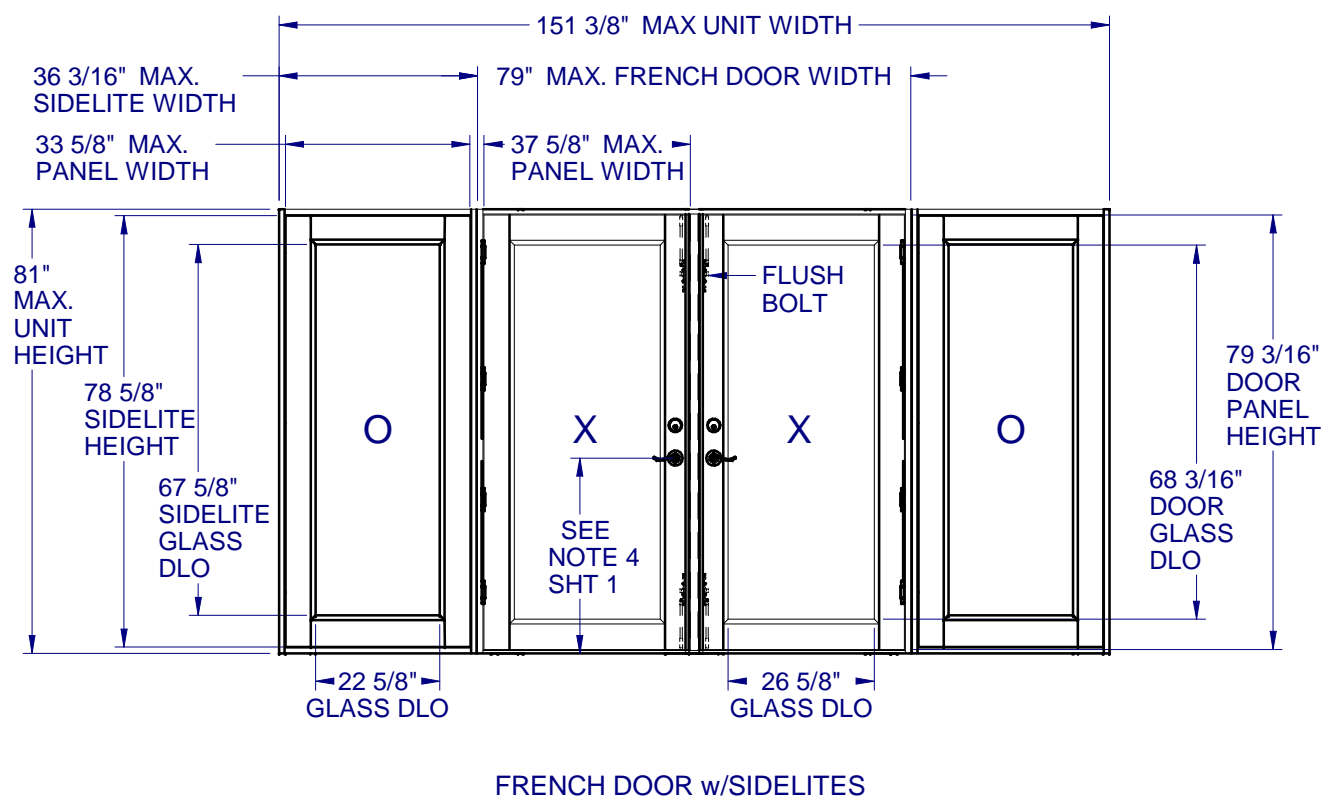
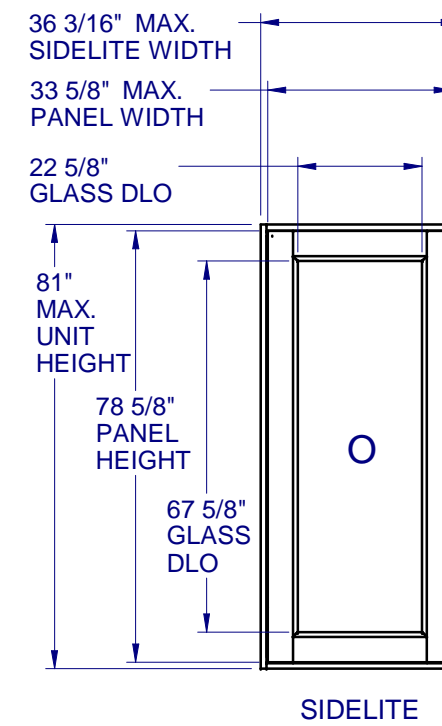
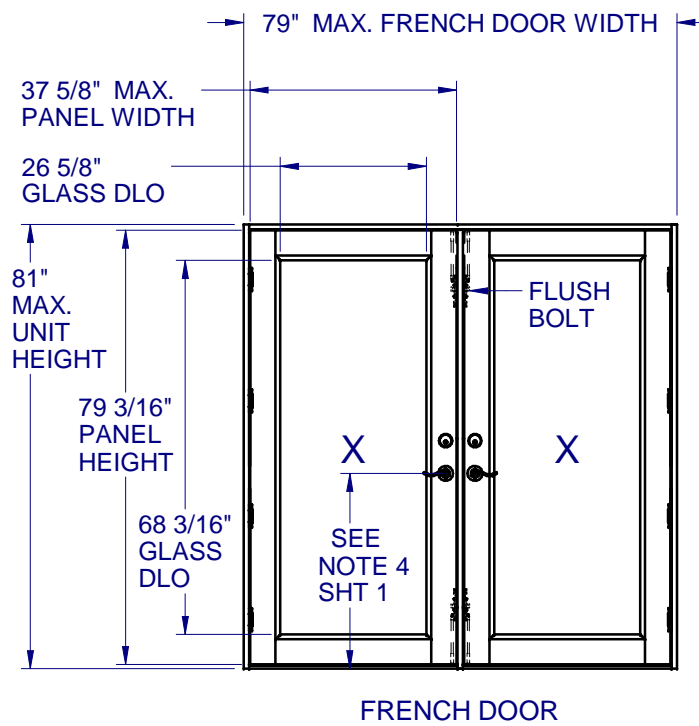
SHEET DESCRIPTION:

**GENERAL NOTES AND
ELEVATIONS**

DRAWN BY:	DATE:
MCS	10/3/2023
DWG #:	REV.:
PEL-640	A
SCALE:	SHEET
1:35	3 OF 13

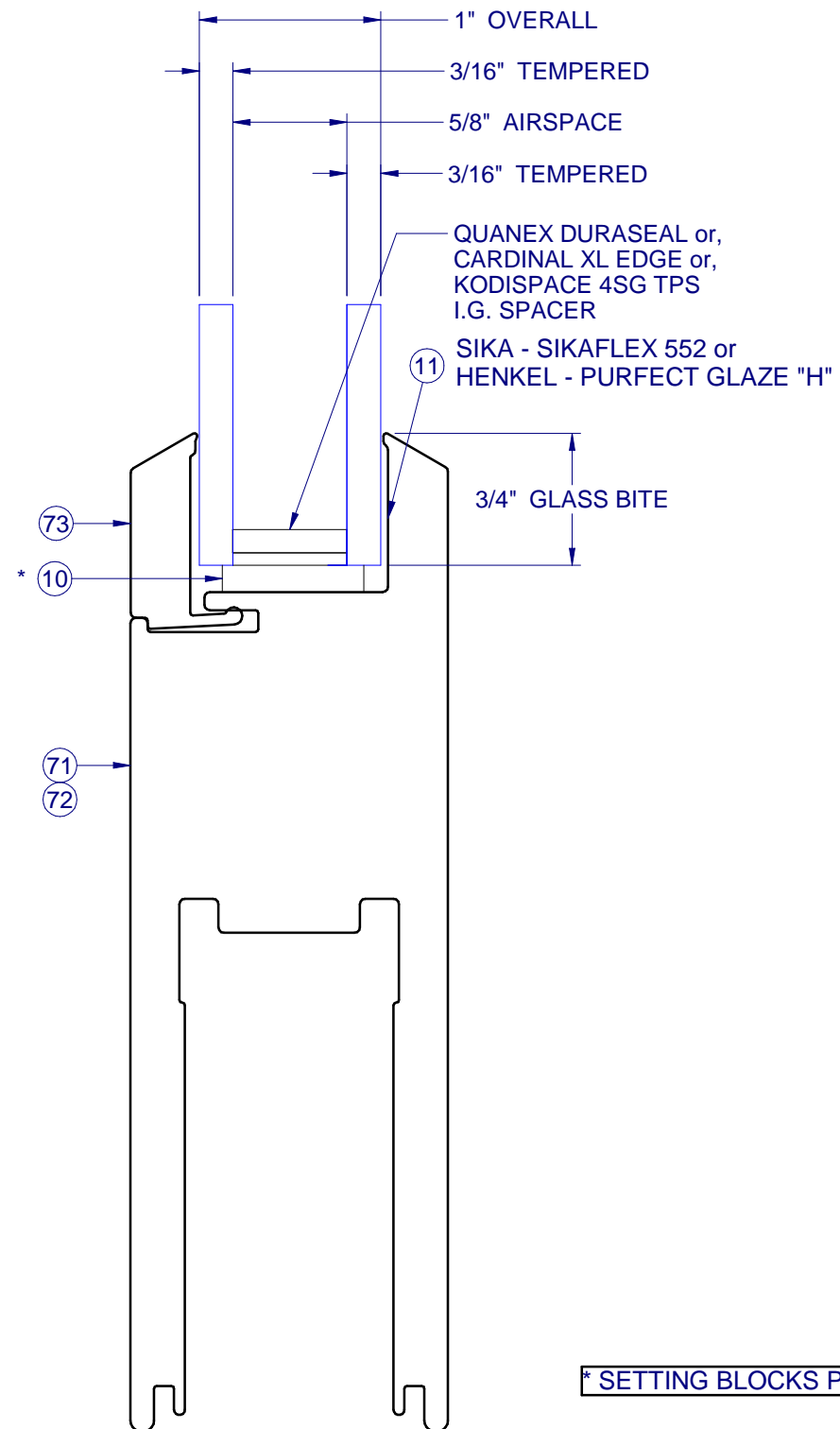


NOTE:
HINGE SPACINGS
ARE 8-1/2" FROM
ENDS AND 21-5/16"
MAX. O.C. UP TO
81" UNIT HEIGHT.



HEIGHT	WIDTH											
	SIDELITE				X SINGLE DOOR				XX FRENCH DOOR			
	18	24	30	36 3/16	29 1/2	31 1/2	37 1/2	40	59 1/2	63 1/2	71 1/2	79
78	+70.0 / -140.0	+70.0 / -126.2	+70.0 / -101.9	+70.0 / -70.0	+70.0 / -116.0	+70.0 / -110.2	+70.0 / -79.8	+70.0 / -70.0	+70.0 / -113.7	+70.0 / -108.3	+70.0 / -85.5	+70.0 / -70.0
84	+70.0 / -140.0	+70.0 / -115.7	+70.0 / -96.6	+70.0 / -70.0	+70.0 / -106.0	+70.0 / -100.6	+70.0 / -79.8	+70.0 / -70.0	+70.0 / -103.9	+70.0 / -98.8	+70.0 / -85.5	+70.0 / -70.0
90	+70.0 / -137.1	+70.0 / -106.8	+70.0 / -88.8	+70.0 / -70.0	+70.0 / -97.6	+70.0 / -92.5	+70.0 / -79.8	+70.0 / -70.0	+70.0 / -95.6	+70.0 / -90.8	+70.0 / -82.8	+70.0 / -70.0
97	+70.0 / -126.2	+70.0 / -98.0	+70.0 / -81.3	+70.0 / -70.0	+70.0 / -89.3	+70.0 / -84.5	+70.0 / -73.5	+70.0 / -70.0	+70.0 / -87.4	+70.0 / -82.9	+70.0 / -75.5	+70.0 / -70.0

WHEN DOORS ARE ASSEMBLED WITH SIDELITES, THE LESSER OF THE SIDELITE PRESSURE OR DOOR PRESSURE FROM THE TABLES ABOVE SHALL APPLY.



570/571/575 PVC HINGED PATIO DOOR NON-IMPACT

PROPRIETARY AND CONFIDENTIAL
 THE INFORMATION CONTAINED IN THIS DRAWING IS THE SOLE PROPERTY OF CUSTOM WINDOW SYSTEMS, INC. ANY REPRODUCTION IN PART OR AS A WHOLE WITHOUT THE WRITTEN PERMISSION OF CUSTOM WINDOW SYSTEMS, INC IS PROHIBITED.

FLORIDA APPROVAL NO.:
 33465



10/11/2023

LUCAS A. TURNER, P.E.
 FL PE # 58201
 Turner Engineering & Consulting, Inc.
 2428 Old Natchez Trc Trl
 Camden, TN 38320
 PH. 941-380-1574

SHEET DESCRIPTION:
COMPARATIVE ANALYSIS AND GLAZING DETAIL

DRAWN BY: MCS	DATE: 10/3/2023
DWG #: PEL-640	REV.: A
SCALE: 1:1	SHEET 4 OF 13

**570/571/575 PVC
 HINGED PATIO DOOR
 NON-IMPACT**

PROPRIETARY AND CONFIDENTIAL
 THE INFORMATION CONTAINED IN
 THIS DRAWING IS THE SOLE
 PROPERTY OF CUSTOM WINDOW
 SYSTEMS, INC. ANY
 REPRODUCTION IN PART OR AS A
 WHOLE WITHOUT THE WRITTEN
 PERMISSION OF CUSTOM WINDOW
 SYSTEMS, INC IS PROHIBITED.

FLORIDA APPROVAL NO.:
 33465

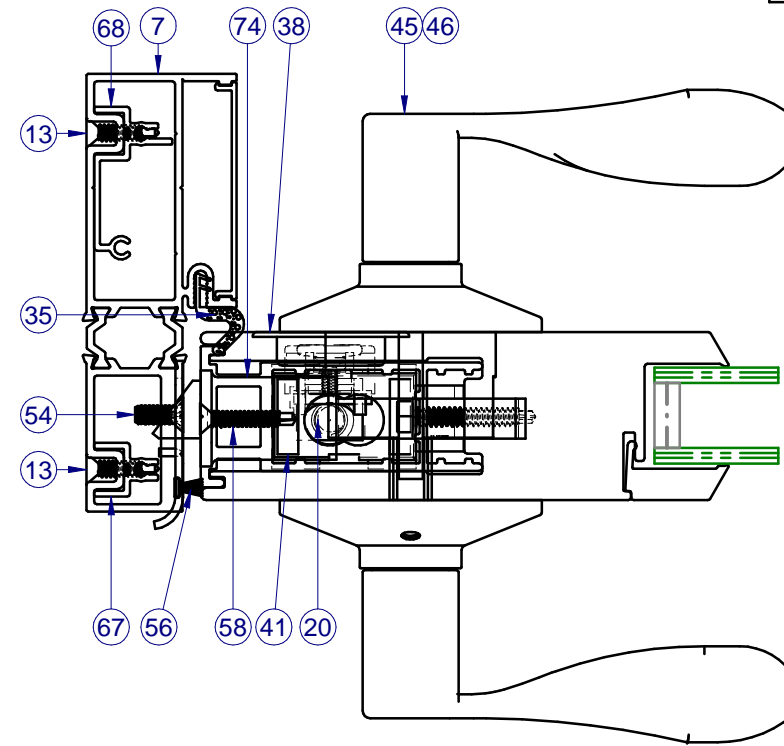


10/11/2023
 LUCAS A. TURNER, P.E.
 FL PE # 58201
 Turner Engineering &
 Consulting, Inc.
 2428 Old Natchez Trc Trl
 Camden, TN 38320
 PH. 941-380-1574

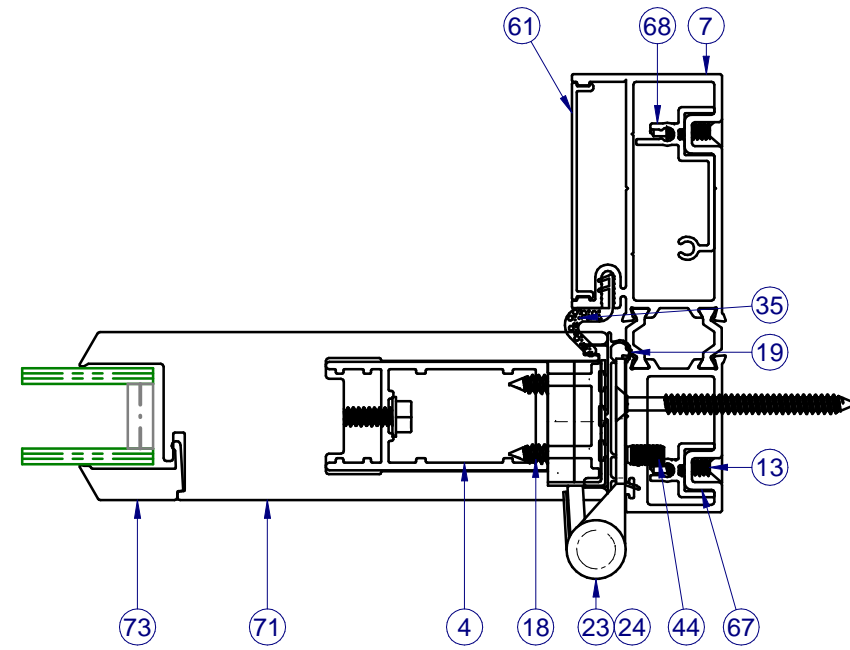
SHEET DESCRIPTION:
**SECTION VIEWS
 SINGLE DOOR**

DRAWN BY: MCS	DATE: 10/3/2023
DWG #: PEL-640	REV.: A
SCALE: 1:2	SHEET 5 OF 13

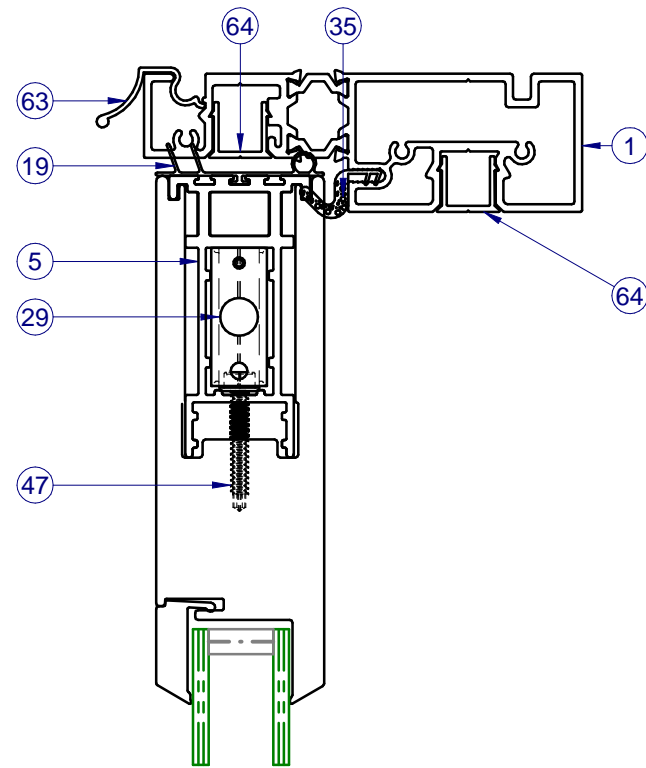
INTERIOR



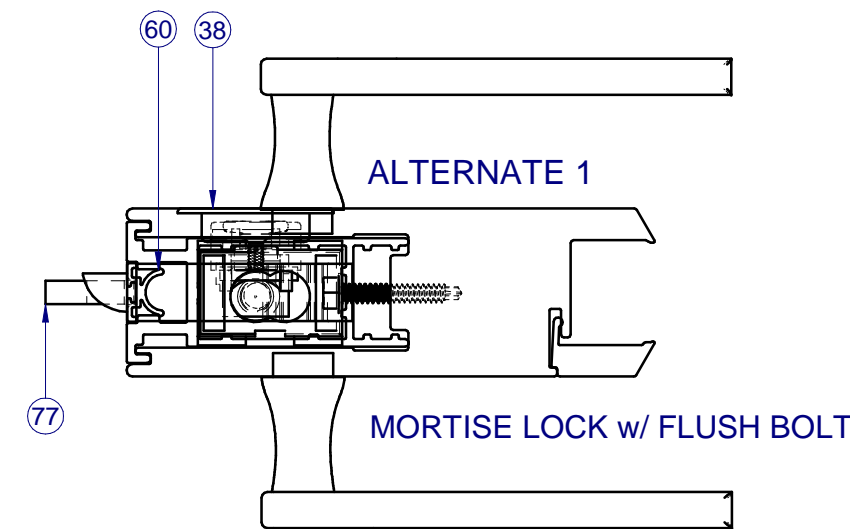
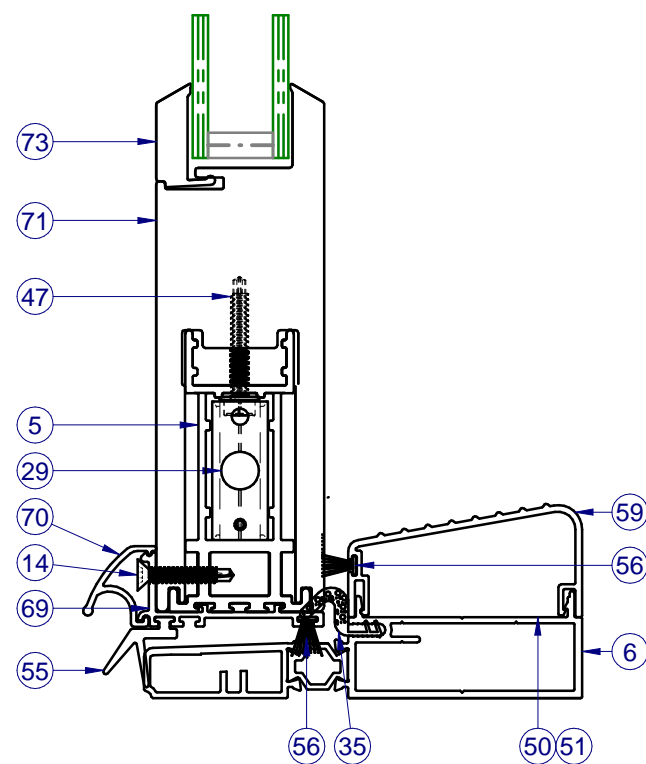
SECTION VIEW B-B



INTERIOR

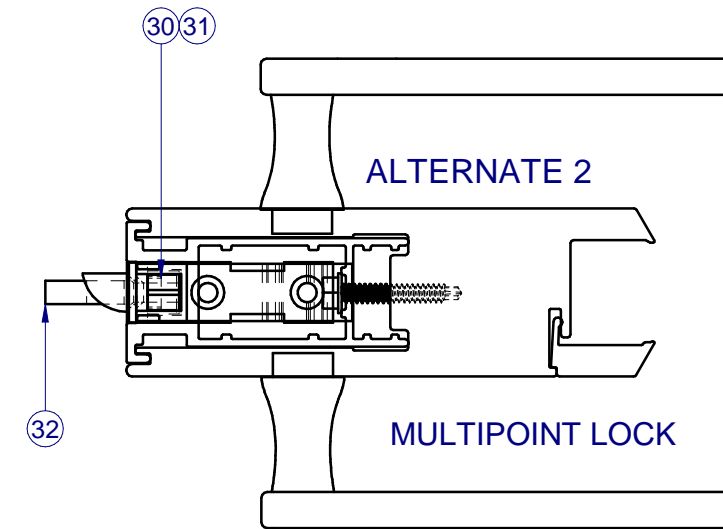


SECTION VIEW A-A



ALTERNATE 1

MORTISE LOCK w/ FLUSH BOLT



ALTERNATE 2

MULTIPOINT LOCK

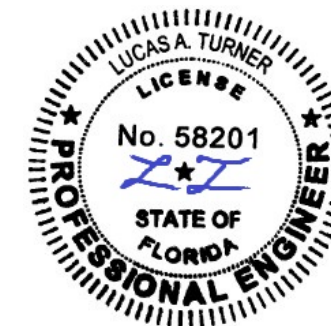
ITEMS NOT SHOWN FOR CLARITY:
 10-12, 15-17, 22, 43, 48, 54, 57-58

ITEMS NOT USED IN VERSION SHOWN:
 2-3, 8-9, 15-16, 25-28, 30-34, 36-40, 43, 52-53, 60, 62, 65-66, 72, 76

**570/571/575 PVC
 HINGED PATIO DOOR
 NON-IMPACT**

PROPRIETARY AND CONFIDENTIAL
 THE INFORMATION CONTAINED IN
 THIS DRAWING IS THE SOLE
 PROPERTY OF CUSTOM WINDOW
 SYSTEMS, INC. ANY
 REPRODUCTION IN PART OR AS A
 WHOLE WITHOUT THE WRITTEN
 PERMISSION OF CUSTOM WINDOW
 SYSTEMS, INC IS PROHIBITED.

FLORIDA APPROVAL NO.:
 33465



10/11/2023

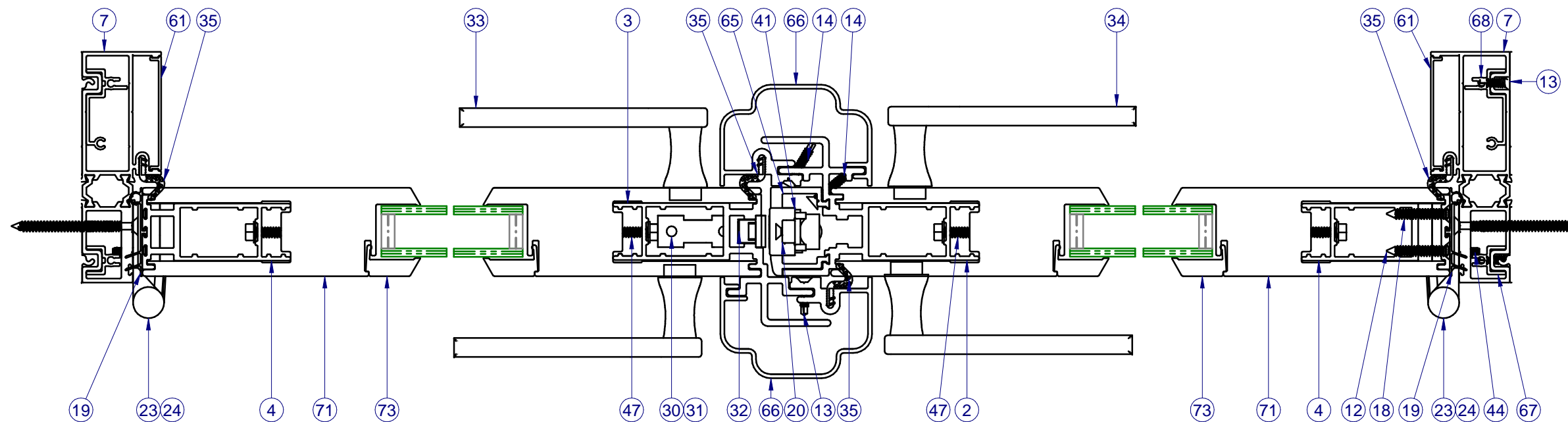
LUCAS A. TURNER, P.E.
 FL PE # 58201
 Turner Engineering &
 Consulting, Inc.
 2428 Old Natchez Trc Trl
 Camden, TN 38320
 PH. 941-380-1574

SHEET DESCRIPTION:

**SECTION VIEWS
 FRENCH DOOR**

DRAWN BY: MCS	DATE: 10/3/2023
DWG #: PEL-640	REV.: A
SCALE: 1:2	SHEET 6 OF 13

INTERIOR



SECTION VIEW C-C

NOTE: VERTICAL SECTION SIMILAR
 TO SINGLE DOOR, SEE SHEET 5

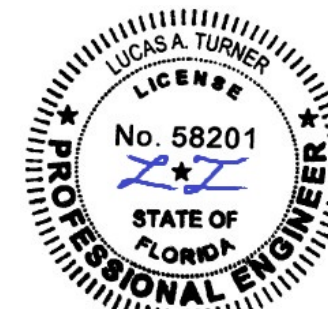
ITEMS NOT SHOWN FOR CLARITY:
 10-12, 15-17, 22, 26-28, 36-39, 43, 54, 57

ITEMS NOT USED IN VERSION SHOWN:
 8-9, 15-16, 25, 40, 42, 45-46, 48, 52-53, 58, 60, 74, 76

**570/571/575 PVC
 HINGED PATIO DOOR
 NON-IMPACT**

PROPRIETARY AND CONFIDENTIAL
 THE INFORMATION CONTAINED IN
 THIS DRAWING IS THE SOLE
 PROPERTY OF CUSTOM WINDOW
 SYSTEMS, INC. ANY
 REPRODUCTION IN PART OR AS A
 WHOLE WITHOUT THE WRITTEN
 PERMISSION OF CUSTOM WINDOW
 SYSTEMS, INC IS PROHIBITED.

FLORIDA APPROVAL NO.:
 33465

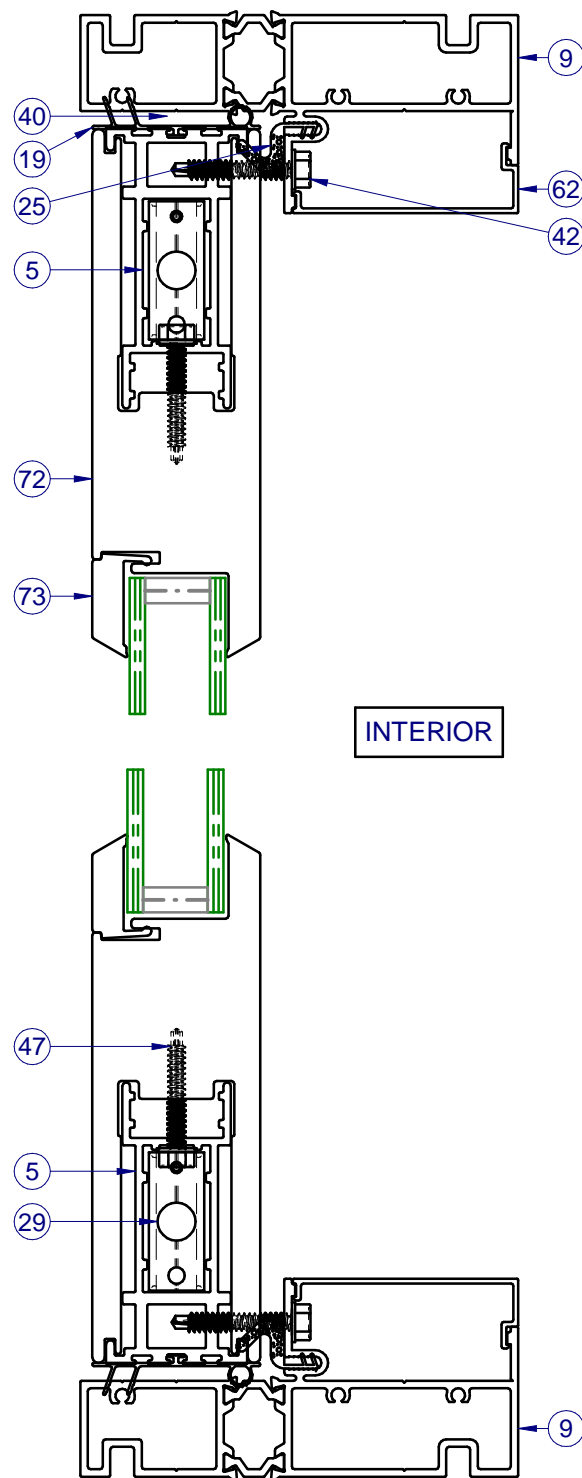


10/11/2023

LUCAS A. TURNER, P.E.
 FL PE # 58201
 Turner Engineering &
 Consulting, Inc.
 2428 Old Natchez Trc Trl
 Camden, TN 38320
 PH. 941-380-1574

SHEET DESCRIPTION:
**SECTION VIEWS
 ATTACHED SIDELITE**

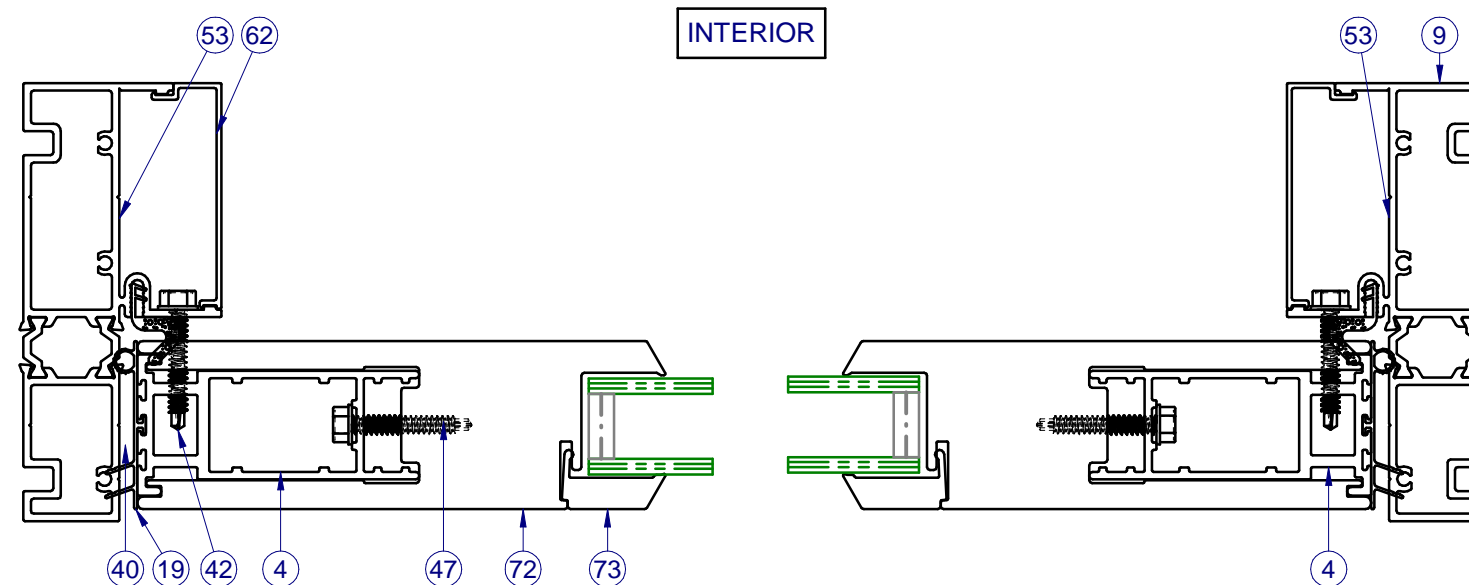
DRAWN BY:	DATE:
MCS	10/3/2023
DWG #:	REV.:
PEL-640	A
SCALE:	SHEET
1:2	7 OF 13



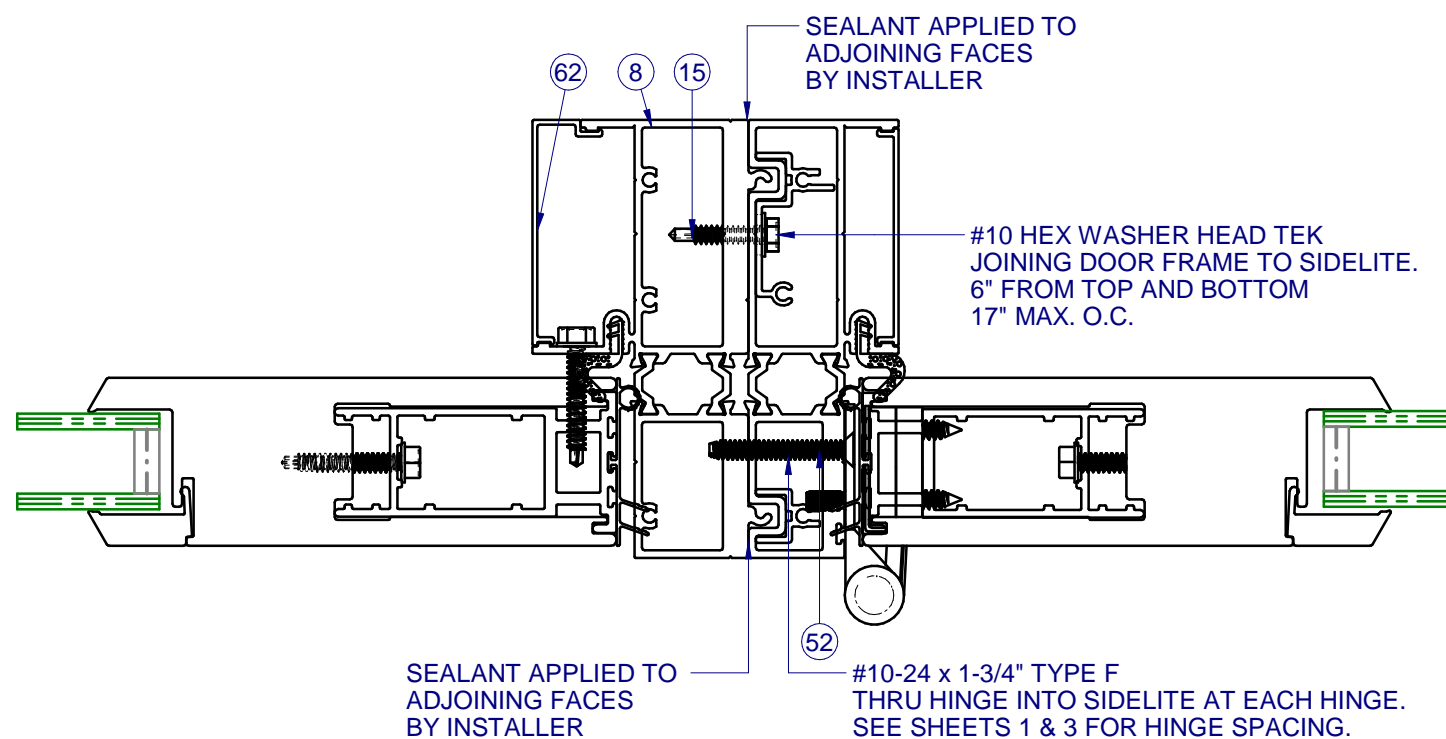
SECTION VIEW D-D

ITEMS NOT SHOWN FOR CLARITY:
 10-11, 16, 22, 28, 43, 57

ITEMS NOT USED IN VERSION SHOWN:
 1-3, 6-15, 17-18, 20-21, 23-24, 26-27, 30-39, 41, 44-46, 48-52, 54-56, 58-61, 63-71, 74-76



SECTION VIEW E-E



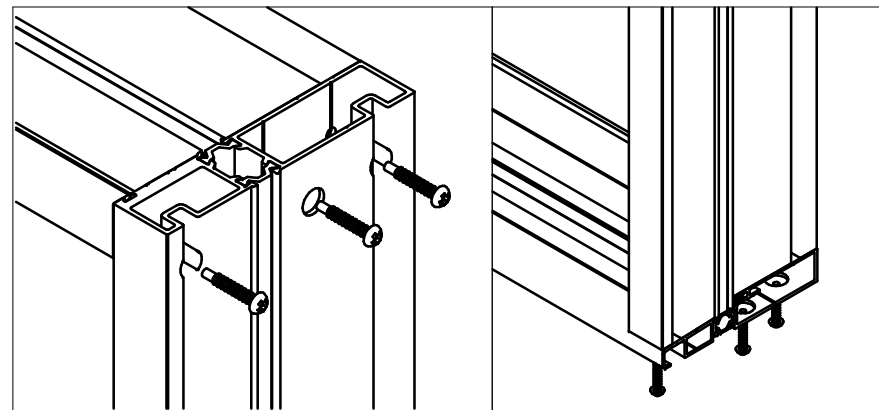
SEALANT APPLIED TO ADJOINING FACES BY INSTALLER

#10-24 x 1-3/4" TYPE F THRU HINGE INTO SIDELITE AT EACH HINGE. SEE SHEETS 1 & 3 FOR HINGE SPACING.

PARTS LIST			
ITEM	PART #	DESCRIPTION	MATERIAL
1	H-1833	MAIN FRAME, HEAD	ALUM
2	H-1857	ASTRAGAL, INACTIVE, FD, PVC	ALUM
3	H-1858	ASTRAGAL, ACTIVE, FD, PVC	ALUM
4	H-1860	REINFORCEMENT, VERT.	ALUM
5	H-1861	REINFORCEMENT, HORIZ.	ALUM
6	H-1928	Threshold, Base, T/B, (FD-8700)	ALUM
7	H-1880	MAINFRAME, JAMB	ALUM
8	H-1881	MAINFRAME, SIDELITE @ DOOR	ALUM
9	H-1900	MAINFRAME, SIDELITE @ JAMB, HEAD, SILL	ALUM
10	P-5531	Setting Block, .09 x 1 x 2	
11		SIAKFLEX 552 or PERFECT GLAZE "H"	
12	P-3503	SCREW #8 X 1/2" PH TRUSS SS @ ASTRAGAL CAP	
13	P-3511	#8 x 5/8" SQUARE, PH, TEK TYPE AB	
14	P-3587	#8 x 1" Ph FH TEK	
15	P-3767	SCREW, #10 X 1" HEX HEAD, TEK @ SIDELITE	
16	P-4146	#8 x 3/4" Ph FH TEK	
17	P-4278	FUZZY PAD, .200" X 1.250" W/ADHESIVE	
18	P-4522	#10 X 1 1/4", PH FLAT, SMS - HINGE @ PANEL	
19	P-4774B	WSTP, BULB/LEAFS, PANEL	
20	P-4790	FLUSH BOLT, ASSM, TOP/BTM	
22	P-4802	ALL THREADED ROD (TIE ROD)	
23	P-4807	HINGE, GUIDE	
24	P-4808/P4809	HINGE, SET	
25	P-4814	WSTP, .50X.750 FOLDED BULB SEAL, @ SIDELITE	
26	P-4863	LOCK STRIKE PLATE	
27	P-4864	RHINO STRIKE PLATE	
28	P-4866	GUIDE, TIE ROD	
29	P-5344	BRACKET ASSM, 8700 TIE ROD BRACKET	ZINC
30	P-4885	SHOOT BOLT, TOP	
31	P-4886	SHOOT BOLT, BOTTOM	
32	P-4851	LOCKBAR, INACTIVE, 8 FT	
32	P-4884	LOCKBAR, MULTI-POINT, 5PT, 8 FT	
32	P-4901	LOCKBAR, MULTI-POINT, 4PT, 6'8 FT	
32	P-4902	LOCKBAR, INACTIVE, 6'8 FT	
33	P-4903	HANDLE SET, ACTIVE	
34	P-4905	HANDLE SET, INACTIVE	
35	P-4913	WSTP, .50X.50 FOLDED BULB SEAL, @ DOOR	
36	P-4917	CAP, ASTRAGAL, OUTSIDE	NYLON
37	P-5159	Guide, Flush Bolt (8750, use with 1849)	
38	P-4922	COVER, INTERIOR, FLUSH BOLT	NYLON
39	P-4925	CAP, ASTRAGAL, INSIDE	NYLON
40	P-4926	SHIM, SIDELITE, DOOR SHIPPING BLOCK	
41	P-5159	Guide, Flush Bolt (8750, use with 1849)	NYLON
42	P-5219	12-24 X 1-3/4", PHIL FLAT, SS, MS (8710 MULL SCREW)	
43	P-4933	NUT, 3/8"-16 FLANGED W/ SERRATED LIP, SS, @ PANEL	
44	P-4934	SCREW, #12-24 X 3/4" Machine Screw (Hinge Screw 8700)	
45	P-4936	DOOR KNOB, ACTIVE PANEL *	
46	P-4937	DEADBOLT, ACTIVE PANEL *	
47	P-4969	#10 x 2" Quad Rd. Washer Screw	
48	P-4997	STRIKE, DEADBOLT	
49	P-5127	SCREW, #12 X 2", PH PAN, SMS, ANCHOR	
50	P-5130	GASKET, DOOR SILL, FRONT	FOAM

* ALTERNATE APPROVED LOCKSETS:
PAMEX GRADE 2 LOCKSET AND DEADBOLT

PARTS LIST			
ITEM	PART #	DESCRIPTION	MATERIAL
51	P-5131	GASKET, DOOR SILL, BACK	FOAM
52	P-5134	SCREW, #10 X 1-3/4" FLAT SQUARE TYPE F @ HINGE	
53	P-5151	GASKET, SIDELITE	FOAM
54	P-5157	SCREW #10-24 x 1/2", FI Undercut PH, 18-8SS @ KEEPER	
55	P-5158	Drip FLAP for 8700 Door	RUBBER
56	P-5172	WSTP, .370 X .187, TRI FIN, BLACK	
57	P-5174	SCREW #8 X 3/4" HEX WASHER HEAD, @ FRAME	
58	P-5186	SCREW #8-32 X 1-1/4" PH, FL MS, SS @ PLUNGER	SS
59	S-1783	THRESHOLD, HIGH RISE	ALUM
60	S-1784	INSERT, REINFORCEMENT	ALUM
61	S-1806	COVER, JAMB, ANCHOR	ALUM
62	S-1816	COVER, JAMBS, HEAD, SILL, SIDELITE	ALUM
63	S-1817	DRIP CAP	ALUM
64	S-1840	COVER, HEAD, ANCHOR	ALUM
65	S-1849	INSERT, INACTIVE PNL, LOCK HARDWARE	
66	S-1859	COVER, ASTRAGAL, FD	ALUM
67	S-1864	INSERT, FRONT, BTM ATTACH SILL	ALUM
68	S-1865	INSERT, BACK, BTM ATTACH SILL	ALUM
69	S-1915	BASE, SWEEP	ALUM
70	S-1916	DRIP COVER, SWEEP	ALUM
71	S-6083	PANEL, TOP/BTM RAIL, SIDES - DOOR	PVC
72	S-6083	PANEL, TOP/BTM RAIL, SIDES - SIDELITE	PVC
73	S-6084	GLAZING BEAD (1")	PVC
74	H-1888	REINFORCEMENT, VERT., SINGLE DOOR	ALUM
75	GLASS	SEE SHEET 4	
76	H-1862	REINFORCEMENT, VERT.	ALUM
77	P-4887	MORTISE LOCK	



HEAD

SILL

ALL FRAMES ARE MECHANICALLY FASTENED



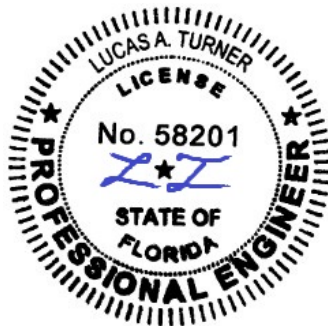
Pella Corporation
102 Main Street
Pella, IA 50219
www.pella.com

**570/571/575 PVC
HINGED PATIO DOOR
NON-IMPACT**

PROPRIETARY AND CONFIDENTIAL
THE INFORMATION CONTAINED IN
THIS DRAWING IS THE SOLE
PROPERTY OF CUSTOM WINDOW
SYSTEMS, INC. ANY
REPRODUCTION IN PART OR AS A
WHOLE WITHOUT THE WRITTEN
PERMISSION OF CUSTOM WINDOW
SYSTEMS, INC IS PROHIBITED.

FLORIDA APPROVAL NO.:

33465



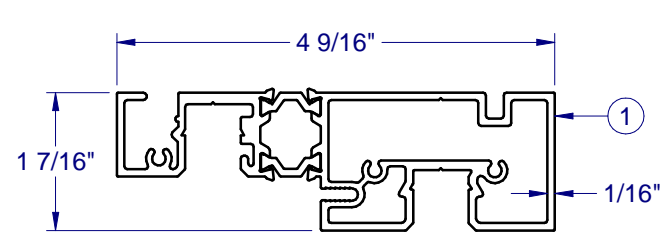
10/11/2023

LUCAS A. TURNER, P.E.
FL PE # 58201
Turner Engineering &
Consulting, Inc.
2428 Old Natchez Trc Trl
Camden, TN 38320
PH. 941-380-1574

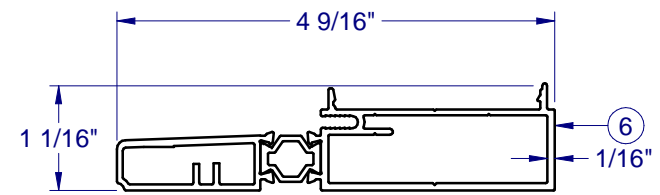
SHEET DESCRIPTION:

BOM

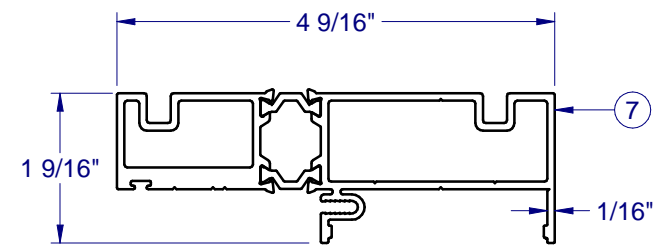
DRAWN BY:	DATE:
MCS	10/3/2023
DWG #:	REV.:
PEL-640	A
SCALE:	SHEET
1:1	8 OF 13



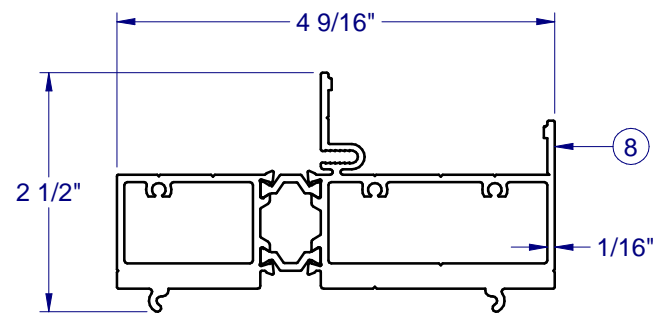
DOOR HEAD-1833



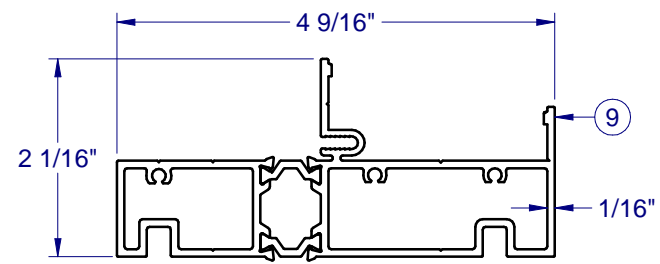
DOOR SILL-1928



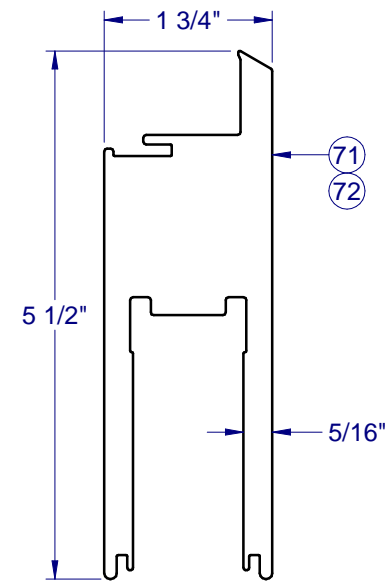
DOOR JAMB-1880



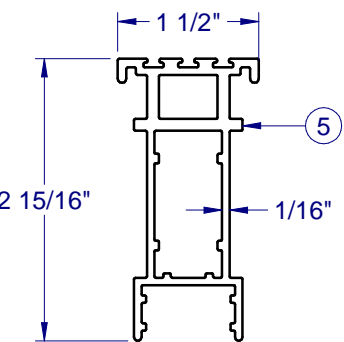
SIDELITE-1881



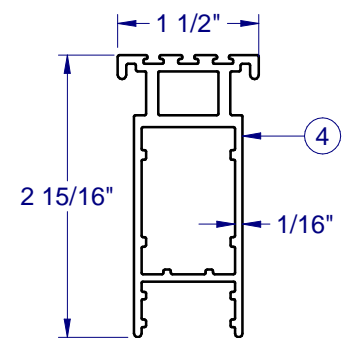
SIDELITE-1900



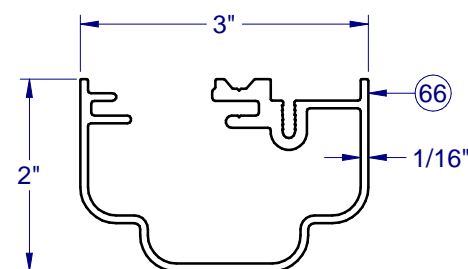
PVC DOOR PANEL - 6083



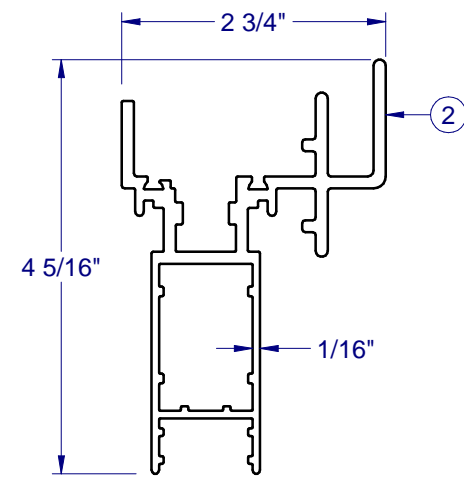
REINFORCEMENT - 1861



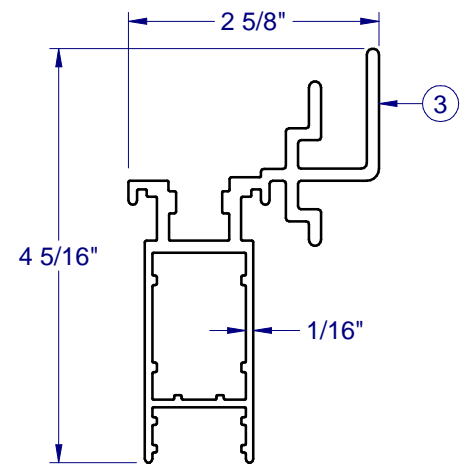
REINFORCEMENT-1860



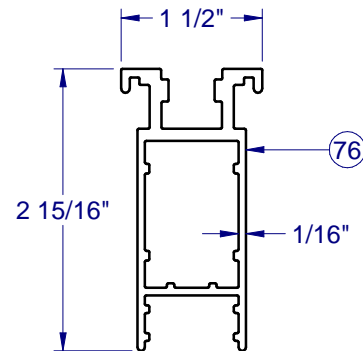
ASTRAGAL COVER-1859



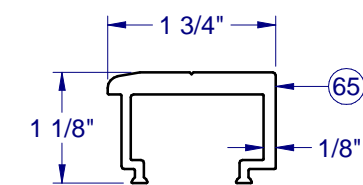
REINFORCEMENT - 1857



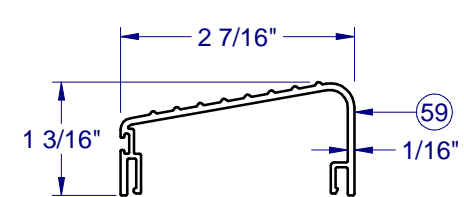
REINFORCEMENT - 1858



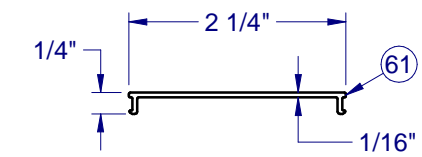
REINFORCEMENT - 1862



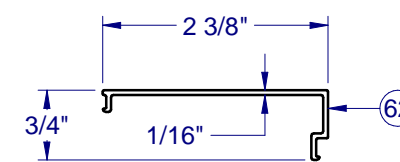
INSERT, INACTIVE PNL -1849



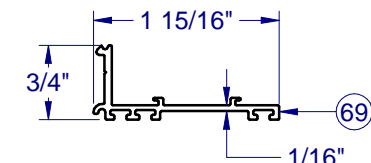
THRESHOLD - 1783



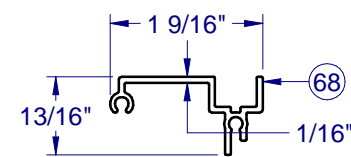
FRAME COVER - 1806



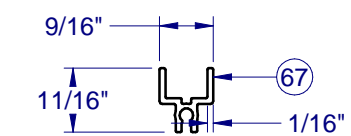
SIDELITE COVER - 1816



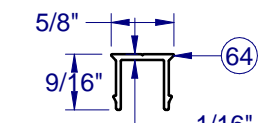
BASE SWEEP - 1915



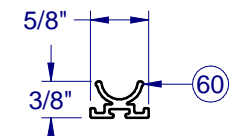
INSERT, BACK - 1865



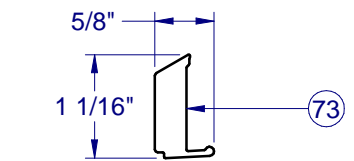
INSERT, FRONT - 1864



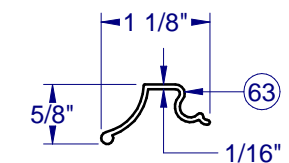
HEAD COVER - 1840



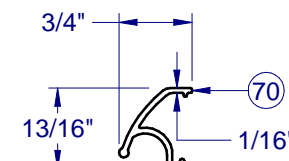
FILLER - 1784



PVC GLAZING BEAD - 6084



DRIP CAP - 1817

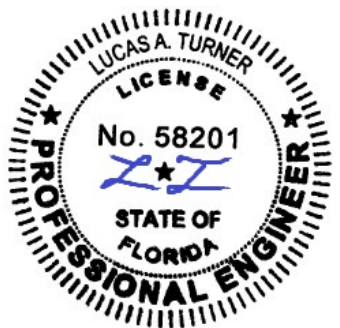


DRIP COVER - 1916

570/571/575 PVC HINGED PATIO DOOR NON-IMPACT

PROPRIETARY AND CONFIDENTIAL
 THE INFORMATION CONTAINED IN THIS DRAWING IS THE SOLE PROPERTY OF CUSTOM WINDOW SYSTEMS, INC. ANY REPRODUCTION IN PART OR AS A WHOLE WITHOUT THE WRITTEN PERMISSION OF CUSTOM WINDOW SYSTEMS, INC IS PROHIBITED.

FLORIDA APPROVAL NO.: 33465



10/11/2023

LUCAS A. TURNER, P.E.
 FL PE # 58201
 Turner Engineering & Consulting, Inc.
 2428 Old Natchez Trc Trl
 Camden, TN 38320
 PH. 941-380-1574

SHEET DESCRIPTION:

EXTRUSIONS

DRAWN BY: MCS	DATE: 10/3/2023
DWG #: PEL-640	REV.: A
SCALE: 1:2	SHEET 9 OF 13

NOTE: ALL ALUMINUM EXTRUSIONS ARE 6063-T6 ALUMINUM

*** CIRCLED ANCHOR LOCATIONS REQ'D ONLY IN WOOD AND METAL INSTALLATIONS. DO NOT INSTALL THESE ANCHORS INTO MASONRY.**



**570/571/575 PVC
HINGED PATIO DOOR
NON-IMPACT**

PROPRIETARY AND CONFIDENTIAL
THE INFORMATION CONTAINED IN THIS DRAWING IS THE SOLE PROPERTY OF CUSTOM WINDOW SYSTEMS, INC. ANY REPRODUCTION IN PART OR AS A WHOLE WITHOUT THE WRITTEN PERMISSION OF CUSTOM WINDOW SYSTEMS, INC IS PROHIBITED.

FLORIDA APPROVAL NO.:
33465

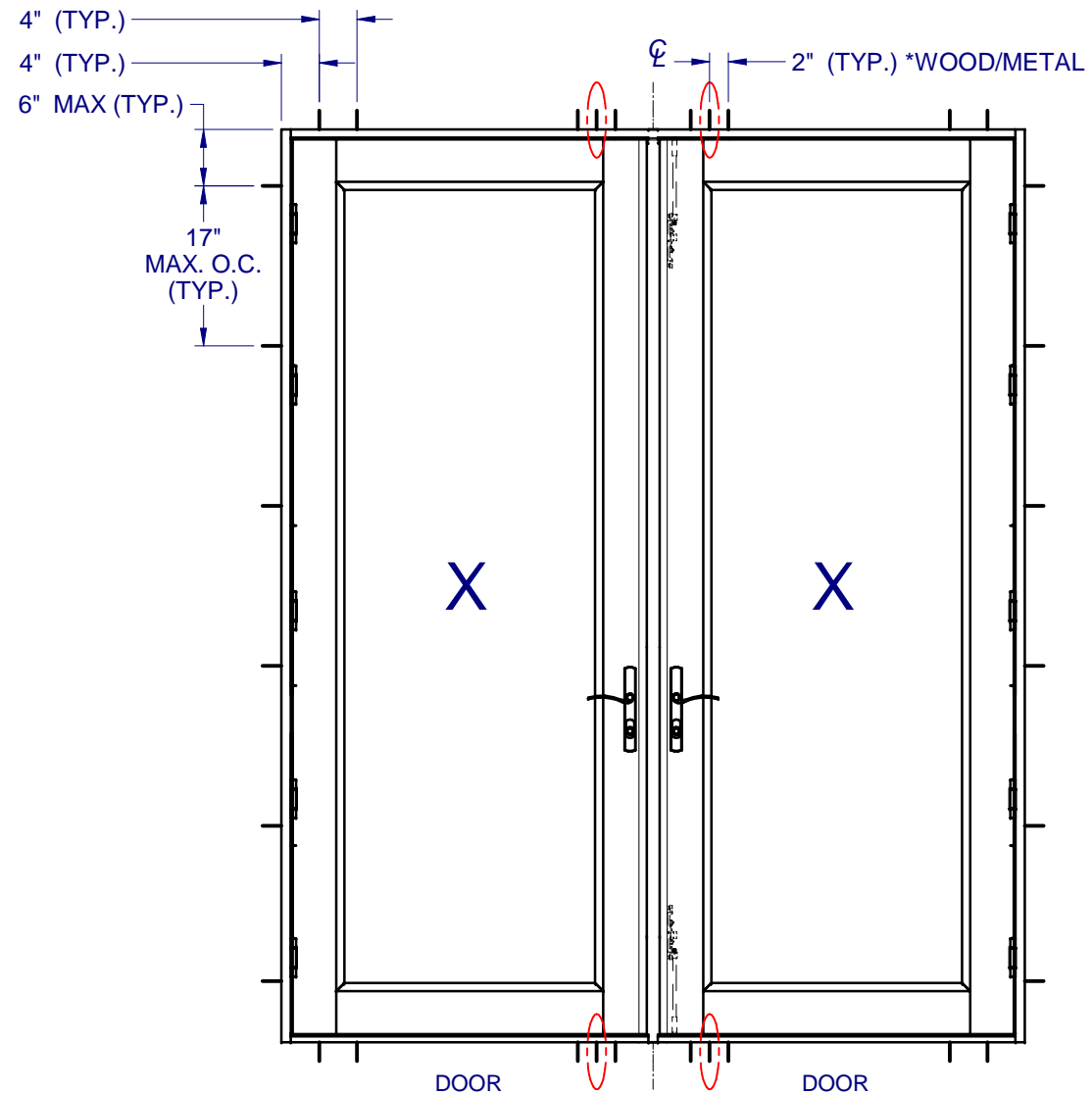
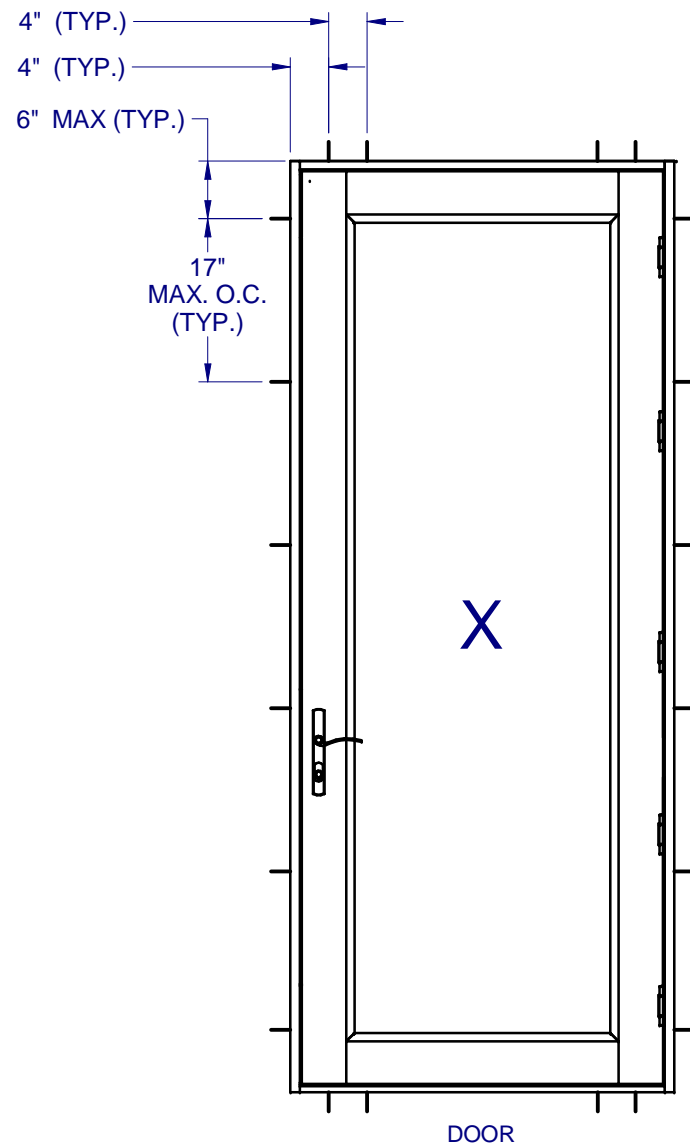


10/11/2023

LUCAS A. TURNER, P.E.
FL PE # 58201
Turner Engineering & Consulting, Inc.
2428 Old Natchez Trc Trl
Camden, TN 38320
PH. 941-380-1574

SHEET DESCRIPTION:
ANCHOR SCHEDULE AND NOTES

DRAWN BY: MCS	DATE: 10/3/2023
DWG #: PEL-640	REV.: A
SCALE: 1:20	SHEET 10 OF 13



NOTES:

1. INSTALL ONE ANCHOR AT EACH INSTALLATION LOCATION. SILL ANCHOR SPACING SAME AS HEAD.
2. SHIM AS REQ AT EACH INSTALLATION ANCHOR USING LOAD BEARING SHIMS. MAX. ALLOWABLE SHIM STACK TO BE 1/4". USE SHIMS WHERE SPACE GREATER THAN 1/16" IS PRESENT. LOAD BEARING SHIMS SHALL BE CONSTRUCTED OF HIGH DENSITY PLASTIC OR BETTER. WOOD SHIMS ARE NOT ALLOWED.
3. ANCHOR TYPE, SIZE, SPACING AND EMBEDMENT SHALL BE AS SPECIFIED IN THESE DRAWINGS, SEE TABLE 1, SHEET 12.
4. ALL INSTALLATION ANCHORS MUST BE MADE OF OR PROTECTED WITH A CORROSION RESISTANT MATERIAL OR COATING. DISSIMILAR METALS OR MATERIALS IN CONTACT WITH PRESSURE TREATED WOOD MUST BE PROTECTED TO PREVENT REACTION.
5. INSTALLATION ANCHORS SHALL BE IN ACCORDANCE WITH ANCHOR MANUFACTURER'S INSTALLATION INSTRUCTIONS, AND ANCHORS SHALL NOT BE USED IN SUBSTRATES WITH STRENGTHS LESS THAN THE MINIMUM SPECIFIED IN TABLE 1, SHEET 12.
6. ANCHOR EMBEDMENT TO SUBSTRATE SHALL BE BEYOND WALL DRESSING OR STUCCO. FOR CONCRETE/CMU OPENINGS, EMBEDMENT SHALL BE BEYOND WOOD BUCKS, IF USED, INTO SUBSTRATE - 1X BUCKS ARE OPTIONAL.
7. A MINIMUM CENTER-TO-CENTER SPACING SHALL BE MAINTAINED BETWEEN ALL FASTENERS: 4" FOR MASONRY, 2-3/16" FOR HINGES (ALL SUBSTRATES), 1" FOR WOOD AND METAL.
8. WOOD OR MASONRY OPENINGS, BUCKS AND BUCK FASTENERS SHALL BE PROPERLY DESIGNED BY THE ARCHITECT OR ENGINEER OF RECORD AND INSTALLED TO TRANSFER WIND LOADS TO THE STRUCTURE. SUBSTRATES SHALL MEET THE MINIMUM STRENGTH REQUIREMENTS AS SHOWN IN TABLE 1, SHEET 12. CONCRETE AND MASONRY SUBSTRATES MAY NOT BE CRACKED.
9. SEALING AND FLASHING STRATEGIES FOR OVERALL WATER RESISTANCE OF INSTALLATION SHALL BE DONE BY OTHERS FOLLOWING THE CURRENT VERSION OF THE REFERENCE DOCUMENTS: FMA/AAMA 100(FIN WINDOWS), FMA/AAMA 200(FLANGE WINDOWS), FMA/WDMA 250(BOX WINDOWS), FMA/AAMA/WDMA 300(EXTERIOR DOORS)

*** CIRCLED ANCHOR LOCATIONS REQ'D ONLY IN WOOD AND METAL INSTALLATIONS. DO NOT INSTALL THESE ANCHORS INTO MASONRY.**



**570/571/575 PVC
HINGED PATIO DOOR
NON-IMPACT**

PROPRIETARY AND CONFIDENTIAL
THE INFORMATION CONTAINED IN THIS DRAWING IS THE SOLE PROPERTY OF CUSTOM WINDOW SYSTEMS, INC. ANY REPRODUCTION IN PART OR AS A WHOLE WITHOUT THE WRITTEN PERMISSION OF CUSTOM WINDOW SYSTEMS, INC IS PROHIBITED.

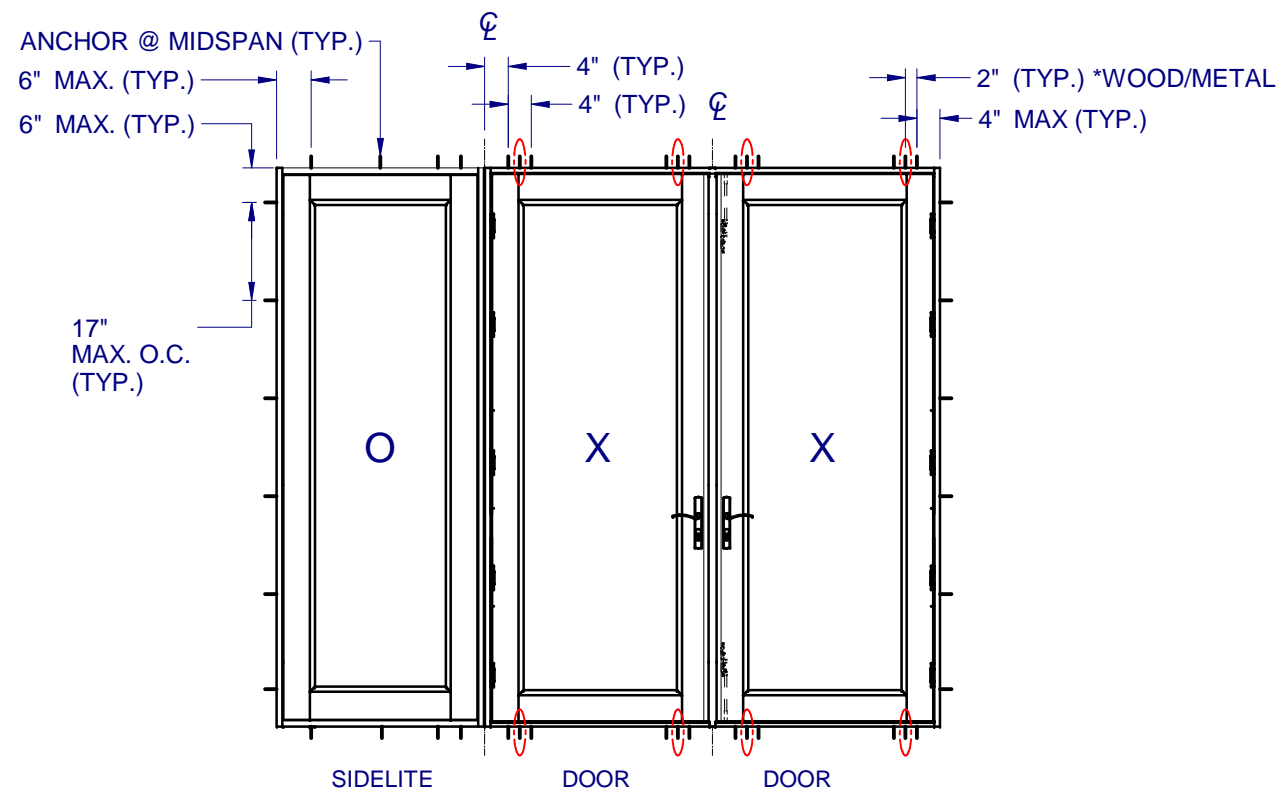
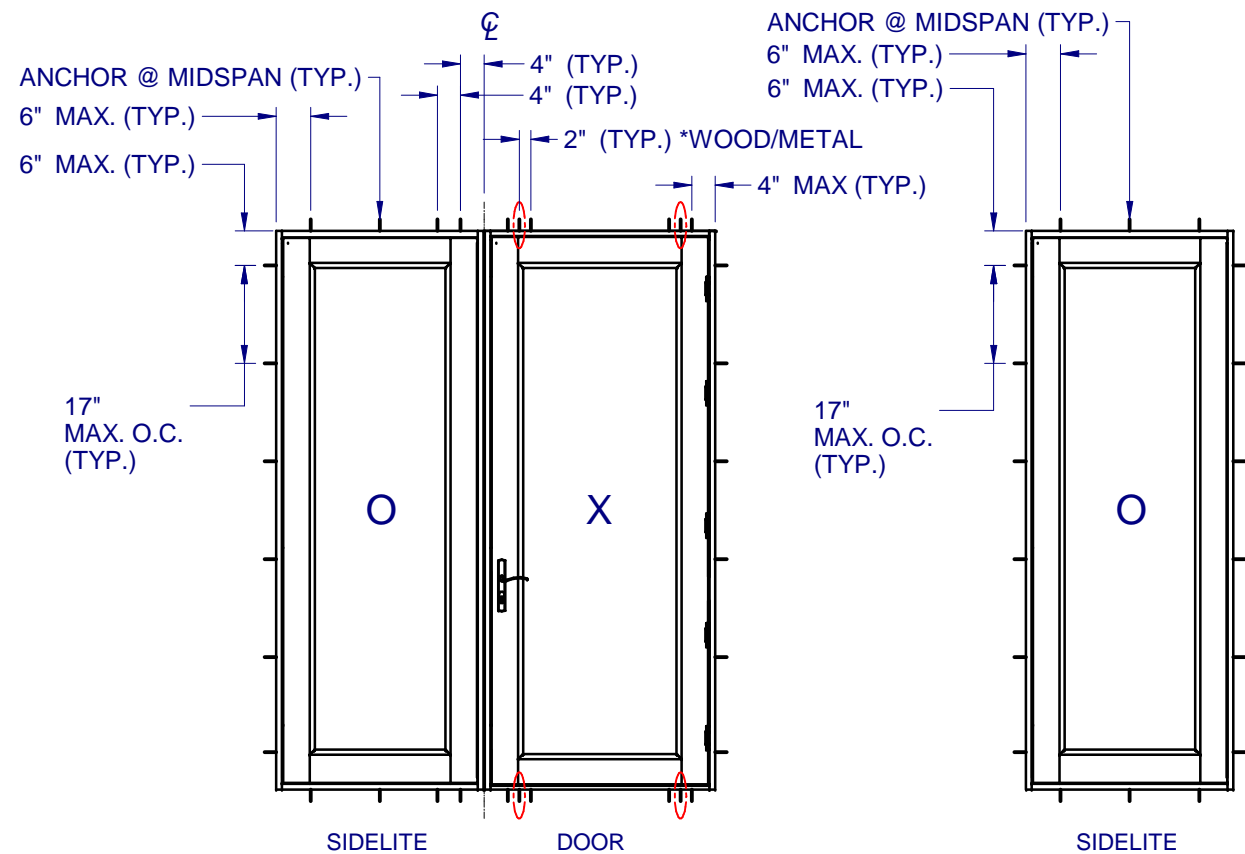
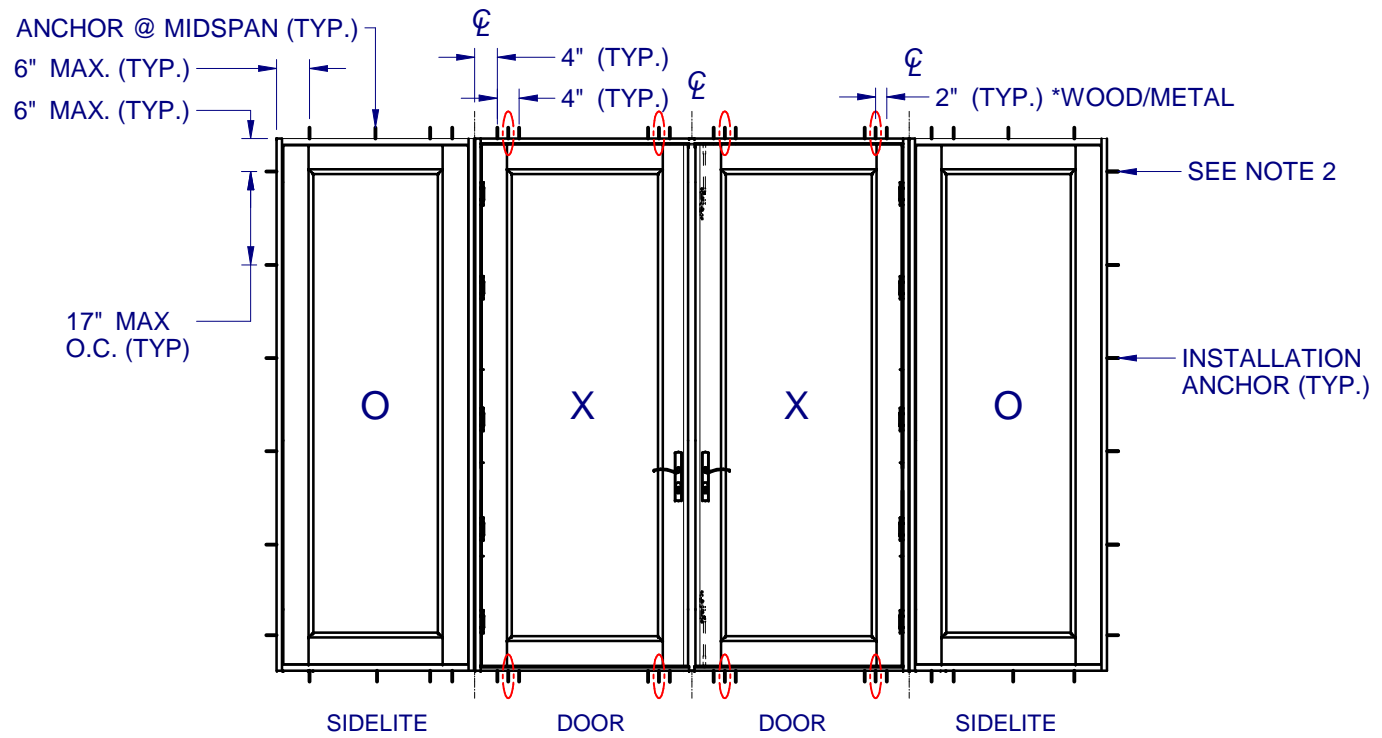
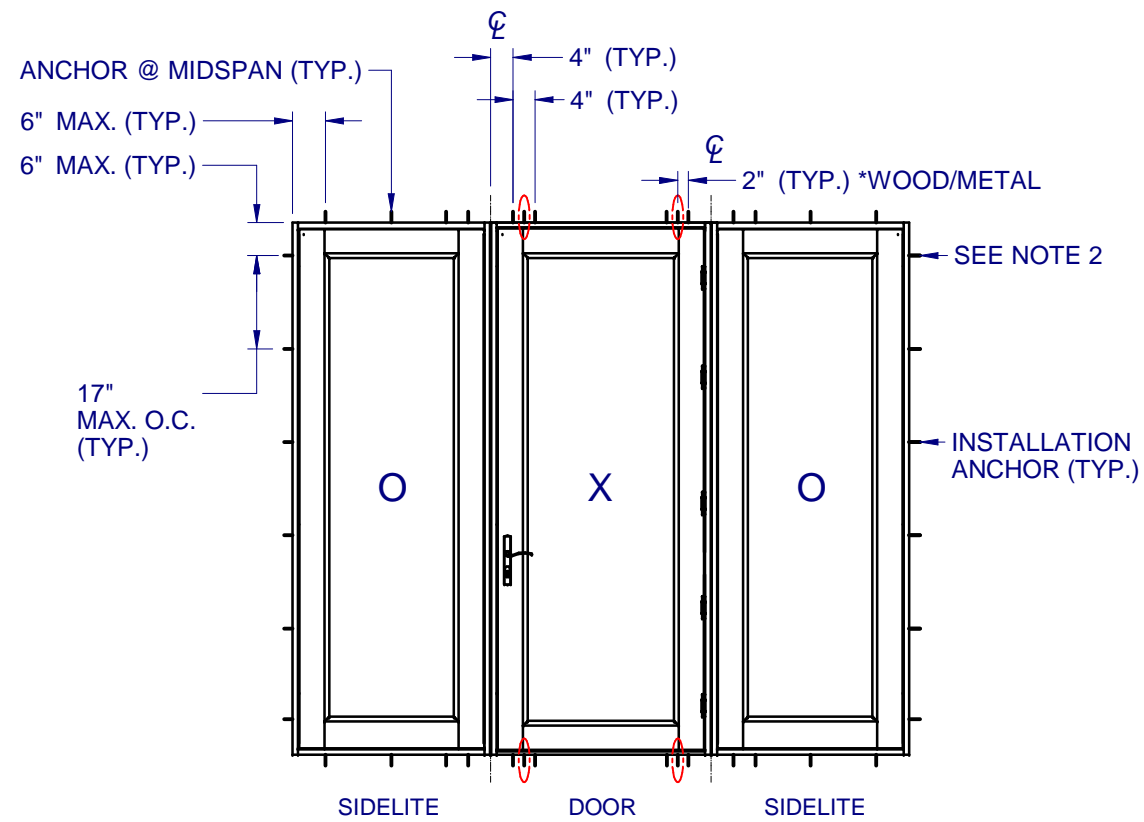
FLORIDA APPROVAL NO.:
33465



10/11/2023
LUCAS A. TURNER, P.E.
FL PE # 58201
Turner Engineering & Consulting, Inc.
2428 Old Natchez Trc Trl
Camden, TN 38320
PH. 941-380-1574

SHEET DESCRIPTION:
ANCHOR SCHEDULE AND NOTES

DRAWN BY:	DATE:
MCS	10/3/2023
DWG #:	REV.:
PEL-640	A
SCALE:	SHEET
1:35	11 OF 13



570/571/575 PVC HINGED PATIO DOOR NON-IMPACT

PROPRIETARY AND CONFIDENTIAL
THE INFORMATION CONTAINED IN THIS DRAWING IS THE SOLE PROPERTY OF CUSTOM WINDOW SYSTEMS, INC. ANY REPRODUCTION IN PART OR AS A WHOLE WITHOUT THE WRITTEN PERMISSION OF CUSTOM WINDOW SYSTEMS, INC IS PROHIBITED.

FLORIDA APPROVAL NO.:
33465

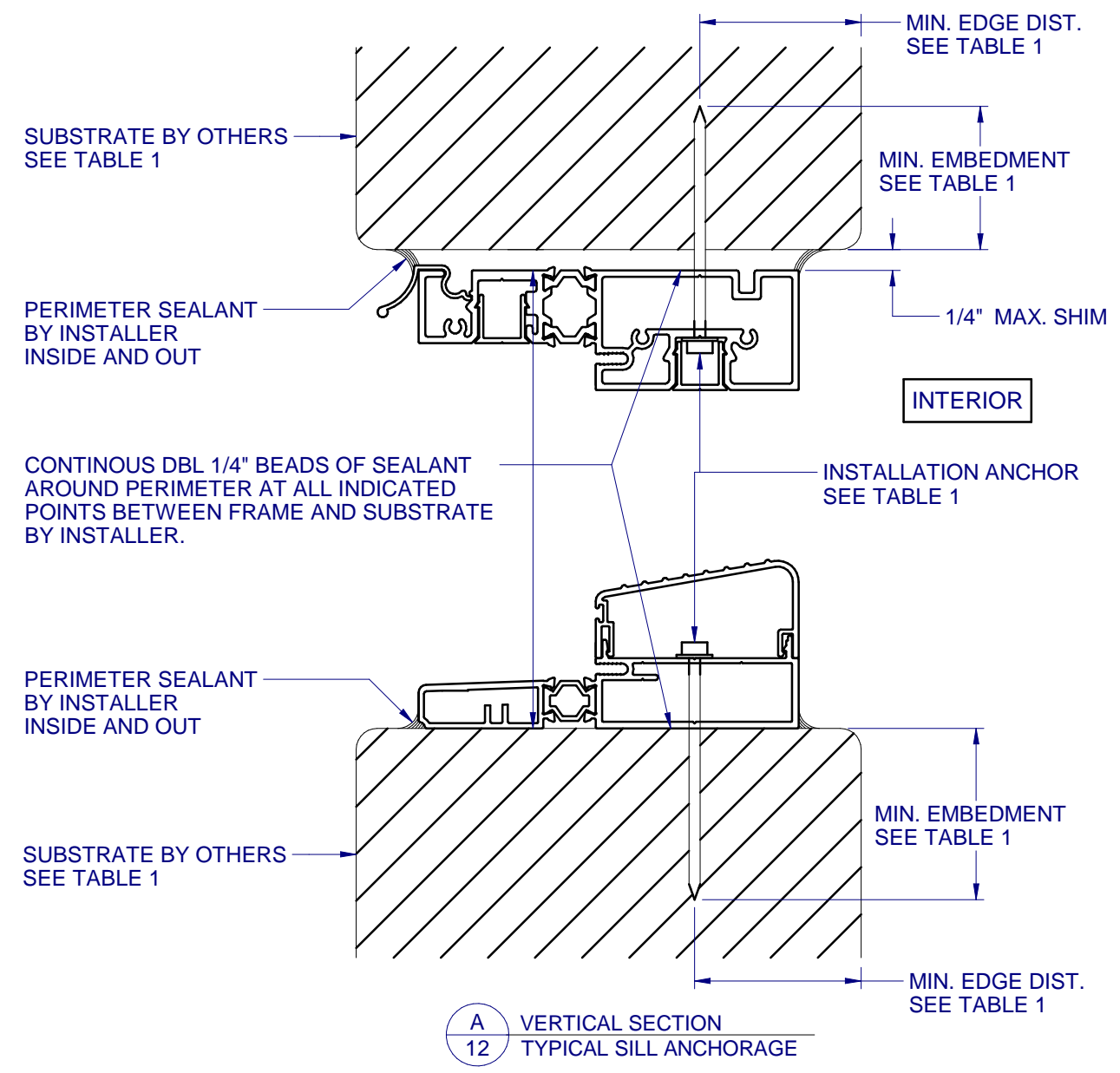


10/11/2023
LUCAS A. TURNER, P.E.
FL PE # 58201
Turner Engineering & Consulting, Inc.
2428 Old Natchez Trc Trl
Camden, TN 38320
PH. 941-380-1574

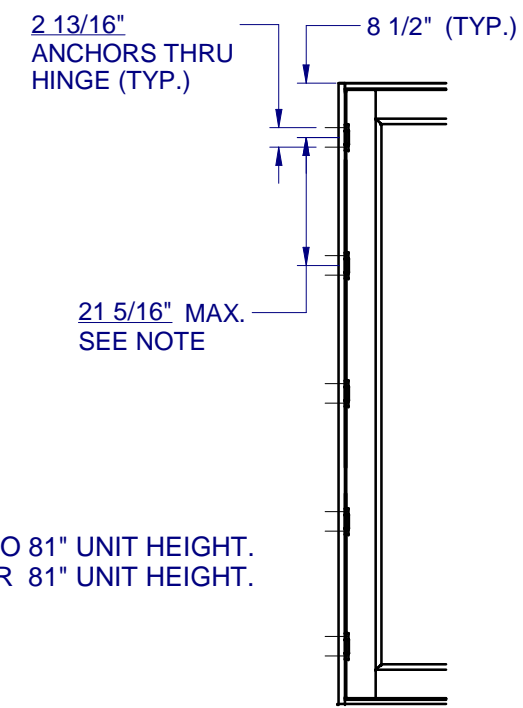
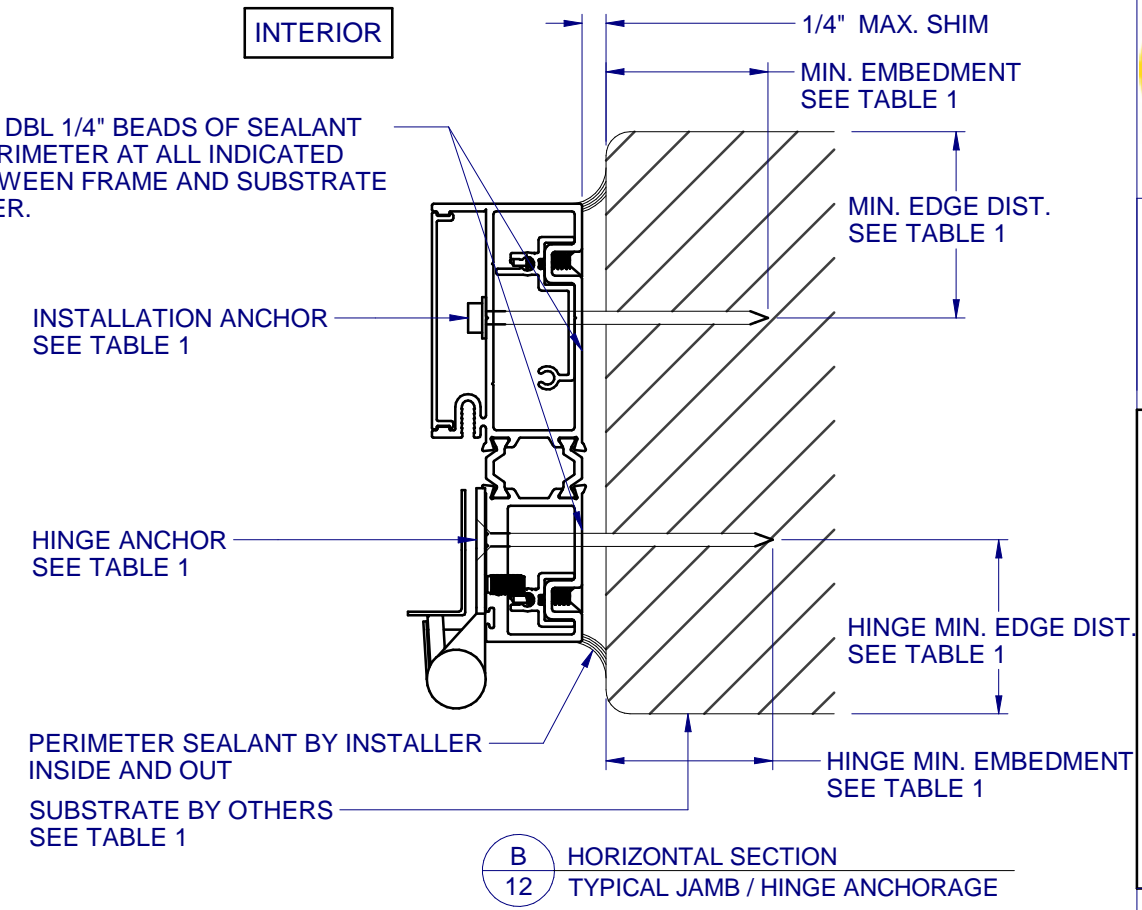
SHEET DESCRIPTION:
INSTALLATION DETAILS
DOOR

DRAWN BY: MCS	DATE: 10/3/2023
DWG #: PEL-640	REV.: A
SCALE: 1:2	SHEET 12 OF 13

TYPICAL HEAD ANCHORAGE



CONTINUOUS DBL 1/4" BEADS OF SEALANT AROUND PERIMETER AT ALL INDICATED POINTS BETWEEN FRAME AND SUBSTRATE BY INSTALLER.

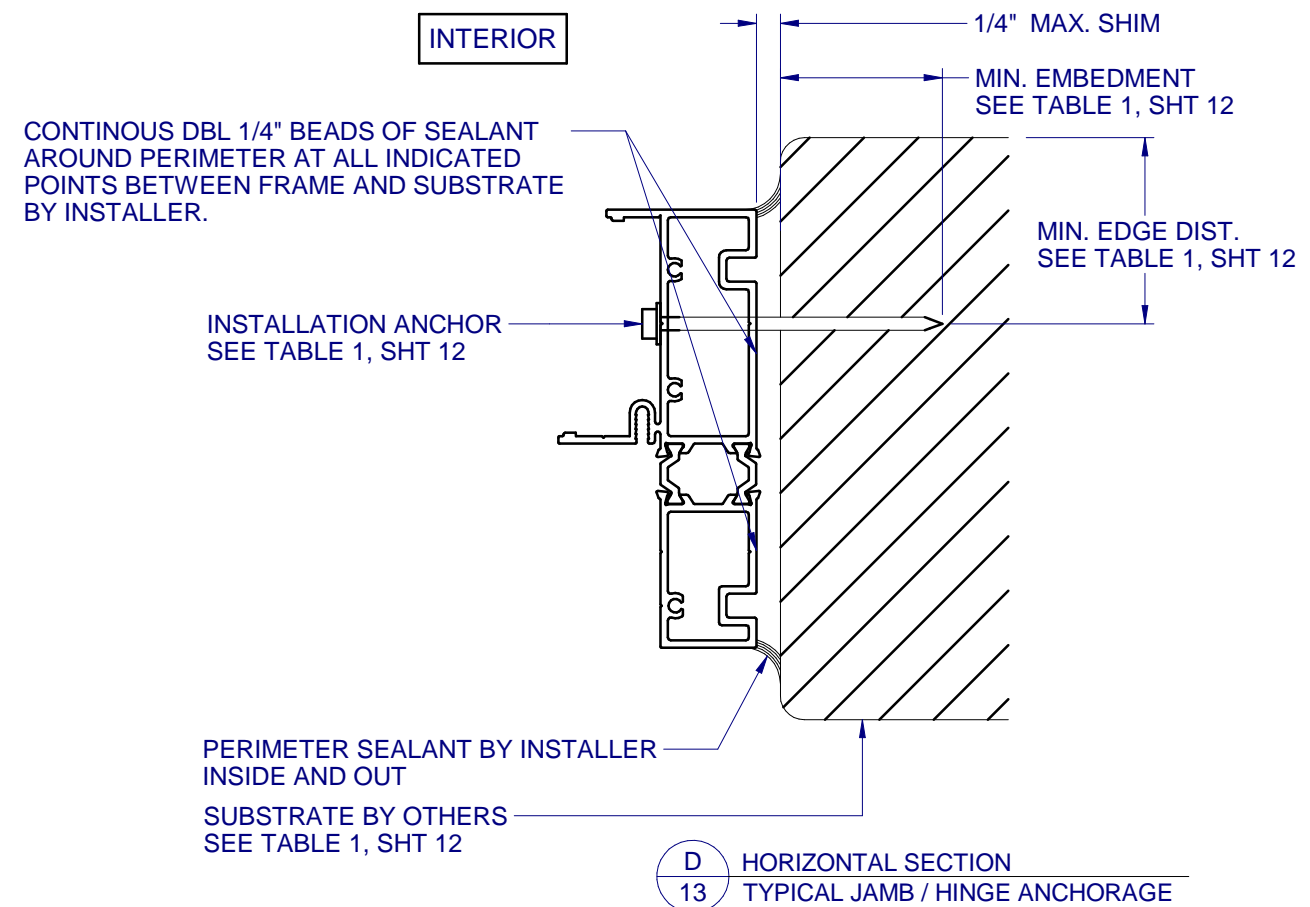
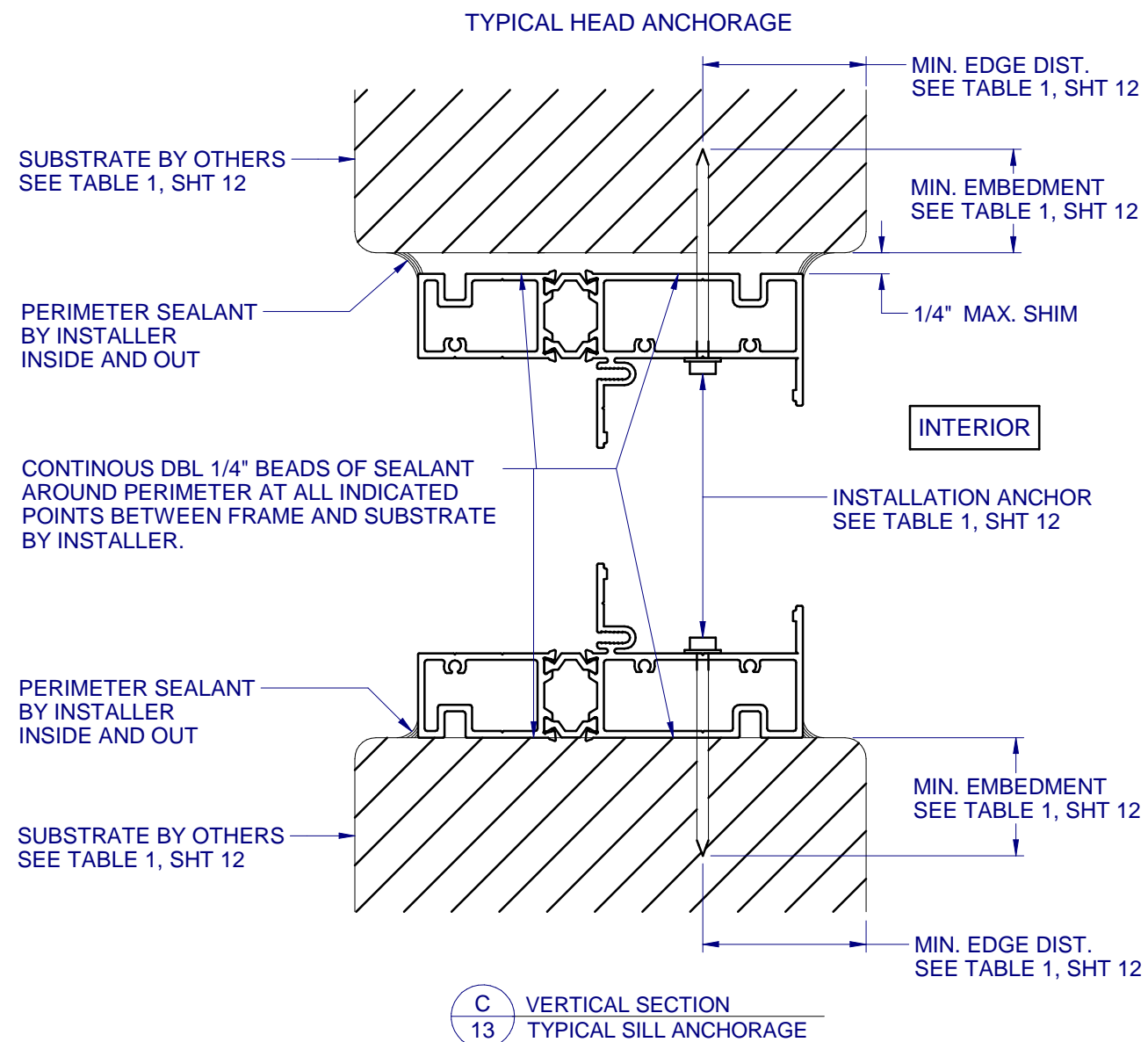


NOTE:
HINGE SPACINGS ARE:
8-1/2" FROM ENDS
21-5/16" MAX. O.C. FOR UP TO 81" UNIT HEIGHT.
20" MAX. O.C. FOR OVER 81" UNIT HEIGHT.

HINGE LAYOUT
1:30

TABLE 1: APPROVED INSTALLATION FASTENERS

SUBSTRATE TYPE	ANCHOR TYPE	MIN. EMBEDMENT	MIN. EDGE DIST.
CONCRETE (3.05 KSI MIN.)	1/4" DEWALT ULTRACON+	1-3/4"	2-1/2"
HOLLOW OR GROUT-FILLED CMU (ASTM C-90)	1/4" DEWALT ULTRACON+	1-1/4"	2-1/2"
2X MIN. SOUTHERN PINE (G=0.55)	1/4" DEWALT ULTRACON+	1-3/8"	7/8"
2X MIN. SOUTHERN PINE (G=0.55)	#12 WOOD SCREW	1-3/8"	7/8"
16 GAUGE (0.060") MIN. STEEL STUD (33 KSI YIELD MIN)	#12-14 HILTI KWIK-FLEX OR ITW TEKS SELF-DRILLING SCREW	FULL THREAD THRU 0.060"	1/2"
1/8" ALUM. (6063-T5 MIN.) OR 1/8" STEEL (33 KSI MIN.)	#12 GRADE 5 SELF-TAPPING / DRILLING SCREW	FULL THREAD THRU 0.125"	1/2"
HINGE ANCHORS INTO CONCRETE (3.05 KSI MIN.)	3/16" DEWALT ULTRACON+	1-3/4"	2-1/2"
HINGE ANCHORS INTO GROUT-FILLED CMU (ASTM C-90)	3/16" DEWALT ULTRACON+	1-1/4"	2-1/2"
HINGE ANCHORS INTO 2X MIN. SOUTHERN PINE (G=0.55)	#10 WOOD SCREW	1-3/8"	7/8"
HINGE ANCHORS INTO 16 GAUGE (0.060") MIN. STEEL STUD (33 KSI YIELD MIN)	#10-16 HILTI KWIK-FLEX OR ITW TEKS SELF-DRILLING SCREW	FULL THREAD THRU 0.060"	1/2"
HINGE ANCHORS 1/8" ALUM. (6063-T5 MIN.) OR 1/8" STEEL (33 KSI MIN.)	#10 GRADE 5 SELF-TAPPING / DRILLING SCREW	FULL THREAD THRU 0.125"	1/2"



**570/571/575 PVC
HINGED PATIO DOOR
NON-IMPACT**

PROPRIETARY AND CONFIDENTIAL
THE INFORMATION CONTAINED IN THIS DRAWING IS THE SOLE PROPERTY OF CUSTOM WINDOW SYSTEMS, INC. ANY REPRODUCTION IN PART OR AS A WHOLE WITHOUT THE WRITTEN PERMISSION OF CUSTOM WINDOW SYSTEMS, INC IS PROHIBITED.

FLORIDA APPROVAL NO.:
33465



10/11/2023

LUCAS A. TURNER, P.E.
FL PE # 58201
Turner Engineering & Consulting, Inc.
2428 Old Natchez Trc Trl
Camden, TN 38320
PH. 941-380-1574

SHEET DESCRIPTION:
**INSTALLATION DETAILS
SIDELITE**

DRAWN BY: MCS	DATE: 10/3/2023
DWG #: PEL-640	REV.: A
SCALE: 1:2	SHEET 13 OF 13