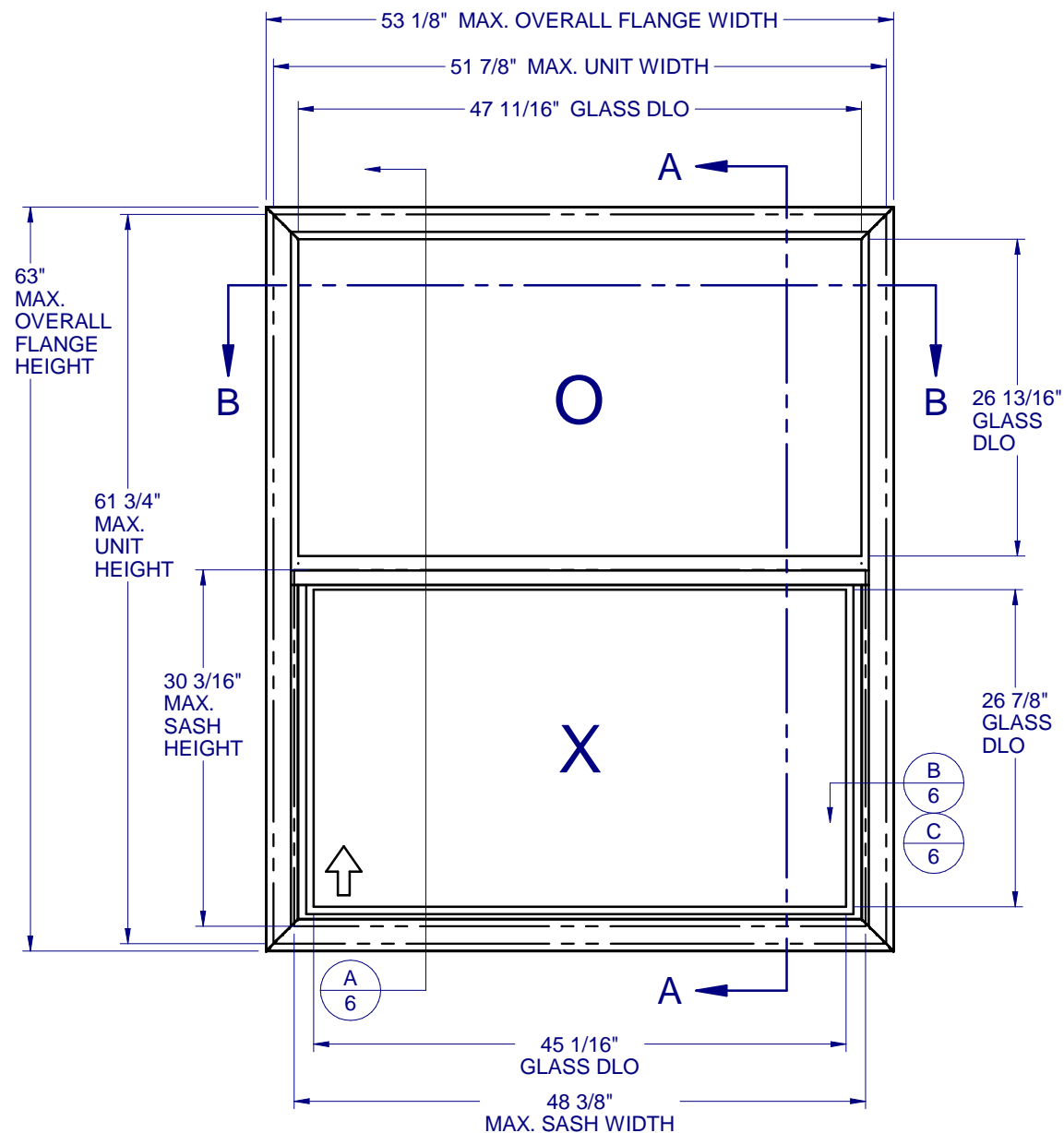


# SINGLE HUNG - LARGE MISSILE IMPACT



## GENERAL NOTES:

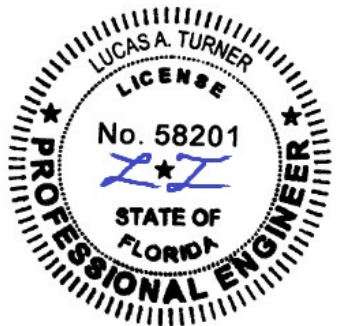
1. THE PRODUCT SHOWN HEREIN IS DESIGNED AND MANUFACTURED TO COMPLY WITH THE FLORIDA BUILDING CODE (FBC), CURRENT EDITION INCLUDING THE HIGH VELOCITY HURRICANE ZONE (HVHZ) AND IS RATED FOR WIND ZONE 4 MISSILE LEVEL D IMPACT USE AS DEFINED IN ASTM E 1996 PER THE FBC.
2. GLAZING OPTIONS: (SEE SHEET 2)
3. CONFIGURATIONS: "O/X".
4. DESIGN PRESSURE RATING:  
 -NEGATIVE DESIGN LOADS BASED ON, TESTED PRESSURE AND GLASS TABLES ASTM E-1300-04e01/09.  
 -POSITIVE DESIGN LOADS BASED ON, TESTED PRESSURE, WATER INFILTRATION TEST PRESSURE AND GLASS TABLES ASTM E-1300-04e01/09.
5. ANCHORAGE: THE 33 1/3% STRESS INCREASE HAS NOT BEEN USED IN THE DESIGN OF THIS PRODUCT. SEE SHEET 6 FOR ANCHOR DETAILS. WINDLOAD DURATION FACTOR Cd=1.6 WAS USED FOR WOOD ANCHOR CALCULATIONS.
6. PRODUCT APPROVED FOR IMPACT RESISTANCE. SHUTTERS ARE NOT REQUIRED.
7. ALL FRAMES AND VENTS FULLY WELDED. SMALL JOINT SEAM SEALANT USED AT FIXED MEETING RAIL AND JAMB.
8. THE DESIGNATION X AND O STAND FOR THE FOLLOWING:  
 X = OPERABLE SASH, O = FIXED SASH
9. SECTION CALLOUTS APPLY TO ALL ELEVATIONS IN A SIMILAR LOCATION.
10. EXTERNAL WEEP SLOT = 1/4" x 1-1/4" LOCATED 4" FROM BOTH ENDS.



## 510 PVC SINGLE HUNG IMPACT

PROPRIETARY AND CONFIDENTIAL  
 THE INFORMATION CONTAINED IN THIS DRAWING IS THE SOLE PROPERTY OF CUSTOM WINDOW SYSTEMS, INC. ANY REPRODUCTION IN PART OR AS A WHOLE WITHOUT THE WRITTEN PERMISSION OF CUSTOM WINDOW SYSTEMS, INC IS PROHIBITED.

FLORIDA APPROVAL NO.:  
 33545



9/26/2023

LUCAS A. TURNER, P.E.  
 FL PE # 58201  
 Turner Engineering & Consulting, Inc.  
 2428 Old Natchez Trc Trl  
 Camden, TN 38320  
 PH. 941-380-1574

SHEET DESCRIPTION:  
 GENERAL NOTES AND ELEVATIONS

DRAWN BY: MCS	DATE: 10/6/2023
DWG #: PEL-812	REV.: B
SCALE: 1:15	SHEET 1 OF 6

### TABLE OF CONTENTS

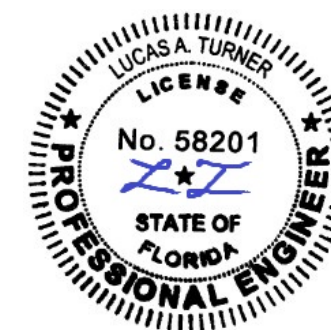
GENERAL NOTES & ELEVATIONS.....	1
GLAZING DETAILS.....	2
SECTION VIEWS.....	3
BOM & EXTRUSIONS.....	4
ANCHOR SCHEDULE & NOTES.....	5
INSTALLATION DETAILS.....	6

MAX. UNIT SIZE	DESIGN PRESSURE RATING	IMPACT RATING
51-7/8" x 61-3/4"	+/- 70 PSF	LARGE MISSILE IMPACT

**510 PVC  
 SINGLE HUNG  
 IMPACT**

PROPRIETARY AND CONFIDENTIAL  
 THE INFORMATION CONTAINED IN  
 THIS DRAWING IS THE SOLE  
 PROPERTY OF CUSTOM WINDOW  
 SYSTEMS, INC. ANY  
 REPRODUCTION IN PART OR AS A  
 WHOLE WITHOUT THE WRITTEN  
 PERMISSION OF CUSTOM WINDOW  
 SYSTEMS, INC IS PROHIBITED.

FLORIDA APPROVAL NO.:  
 33545



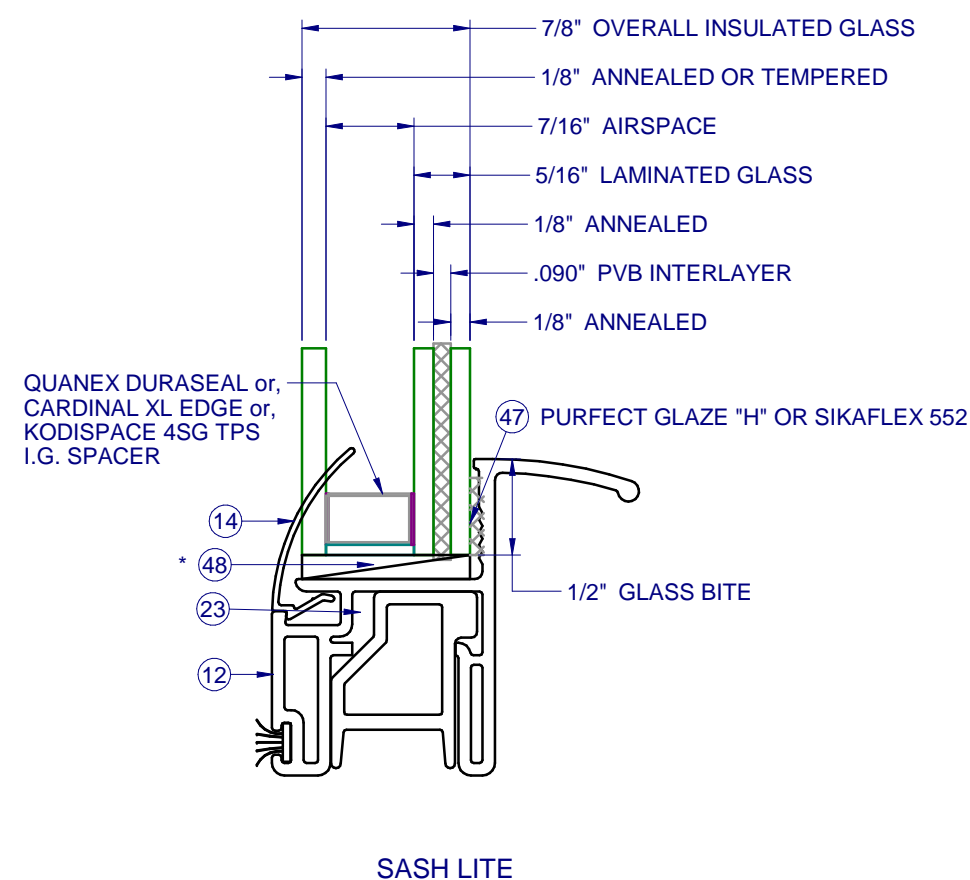
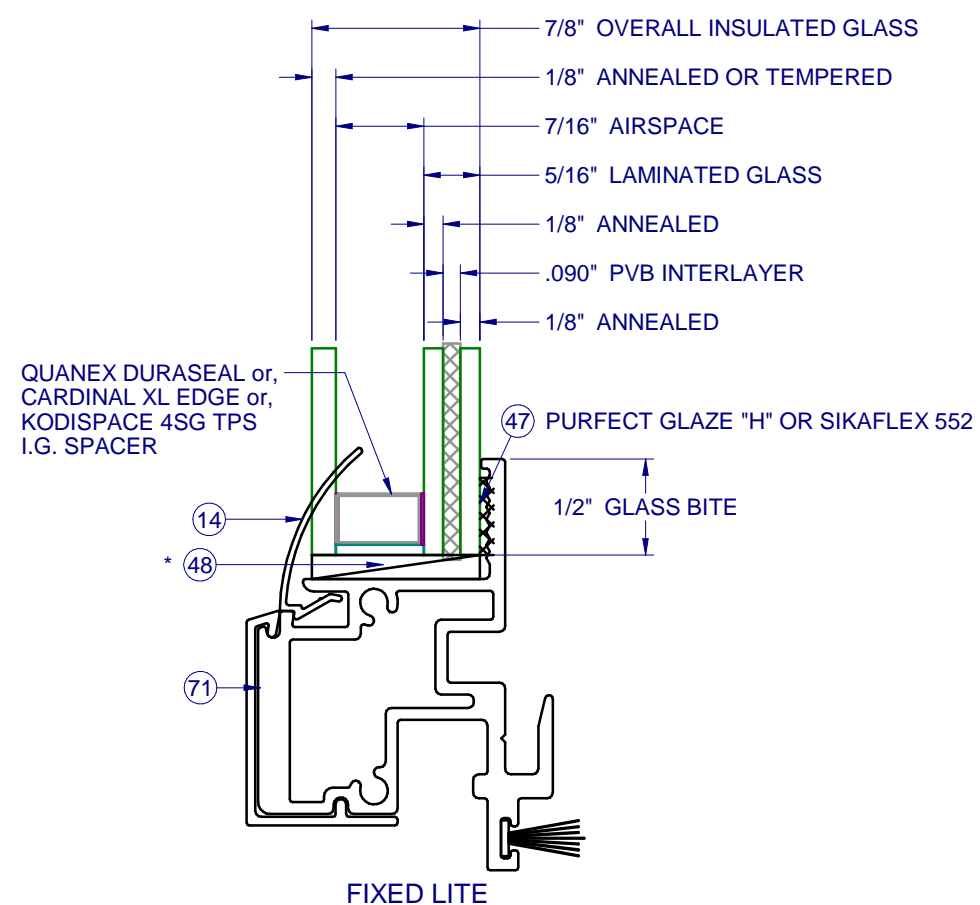
9/26/2023

LUCAS A. TURNER, P.E.  
 FL PE # 58201  
 Turner Engineering &  
 Consulting, Inc.  
 2428 Old Natchez Trc Trl  
 Camden, TN 38320  
 PH. 941-380-1574

SHEET DESCRIPTION:

**GLAZING DETAILS**

DRAWN BY: MCS	DATE: 10/6/2023
DWG #: PEL-812	REV.: B
SCALE: 1:1	SHEET 2 OF 6

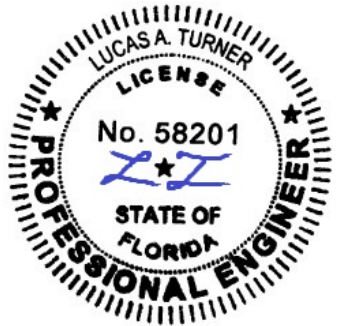


\* SETTING BLOCKS PER FBC 2411.3.3.1

**510 PVC  
 SINGLE HUNG  
 IMPACT**

**PROPRIETARY AND CONFIDENTIAL**  
 THE INFORMATION CONTAINED IN  
 THIS DRAWING IS THE SOLE  
 PROPERTY OF CUSTOM WINDOW  
 SYSTEMS, INC. ANY  
 REPRODUCTION IN PART OR AS A  
 WHOLE WITHOUT THE WRITTEN  
 PERMISSION OF CUSTOM WINDOW  
 SYSTEMS, INC IS PROHIBITED.

FLORIDA APPROVAL NO.:  
 33545



9/26/2023

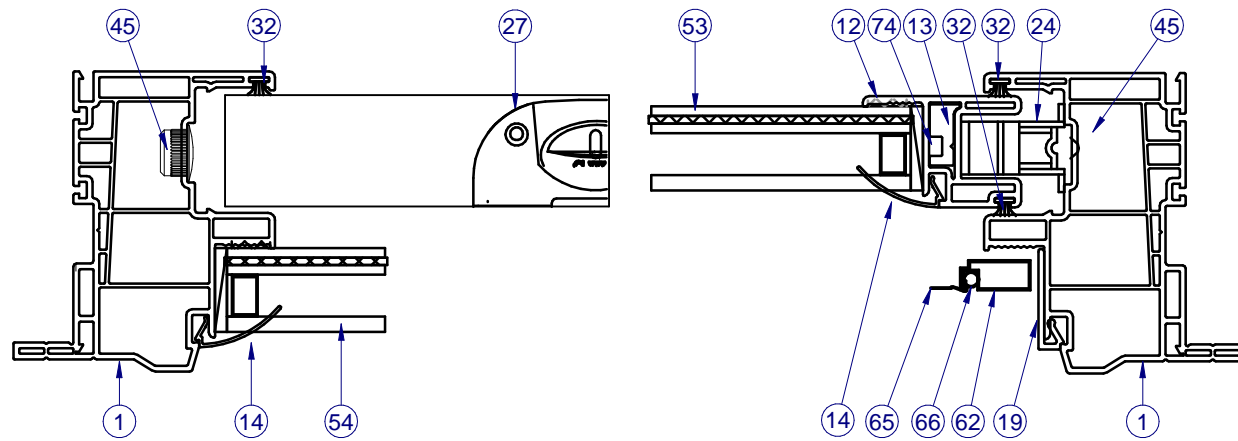
LUCAS A. TURNER, P.E.  
 FL PE # 58201  
 Turner Engineering &  
 Consulting, Inc.  
 2428 Old Natchez Trc Trl  
 Camden, TN 38320  
 PH. 941-380-1574

SHEET DESCRIPTION:

**SECTION VIEWS**

DRAWN BY: <b>MCS</b>	DATE: <b>10/6/2023</b>
DWG #: <b>PEL-812</b>	REV.: <b>B</b>
SCALE: <b>1:2</b>	<b>SHEET 3 OF 6</b>

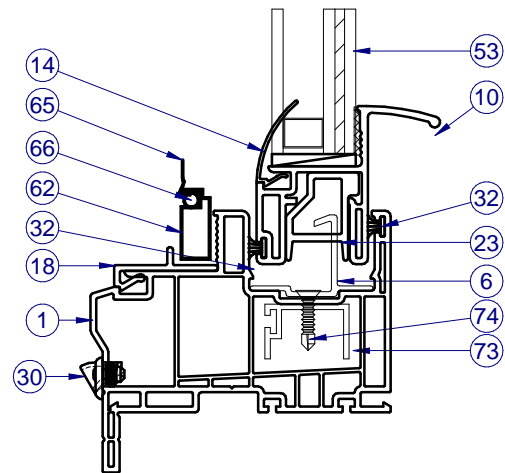
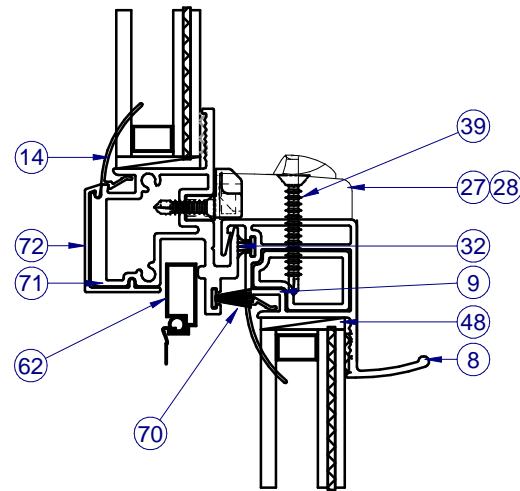
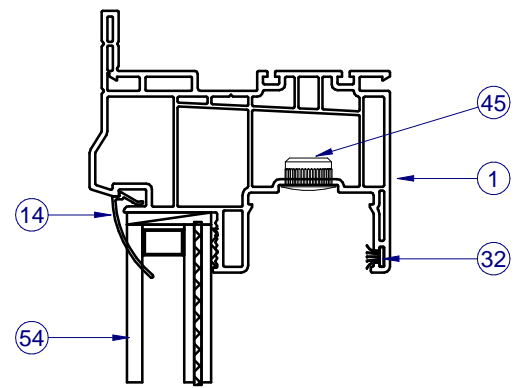
INTERIOR



SECTION B-B

NOTE: LEFT SIDE SHOWS FIXED SECTION VIEW,  
 RIGHT SIDE SHOWS SASH SECTION VIEW.

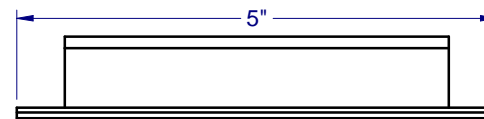
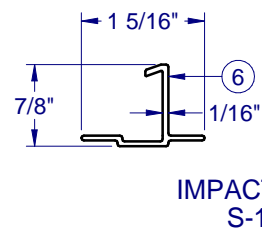
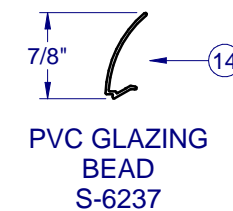
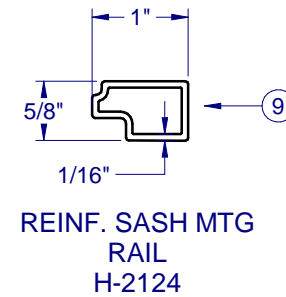
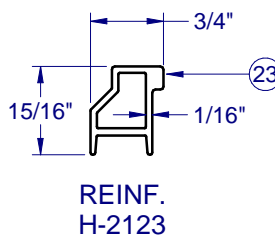
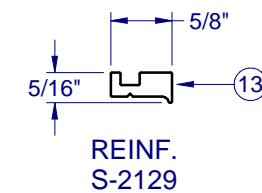
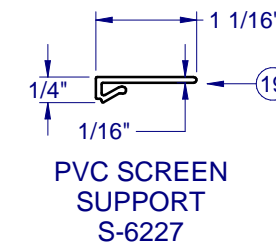
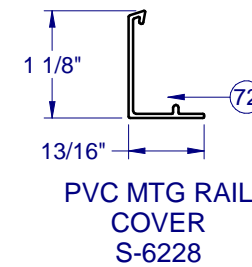
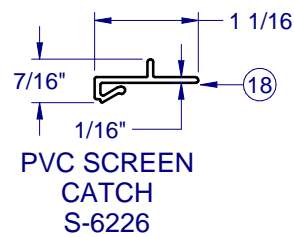
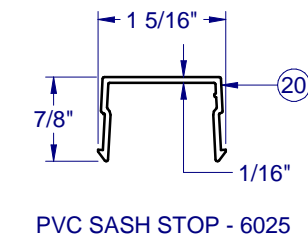
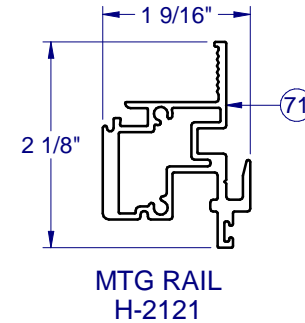
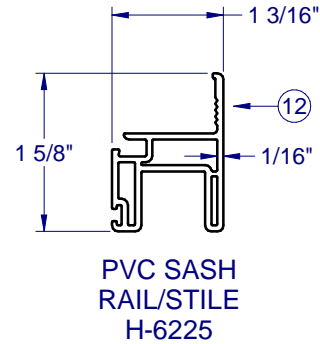
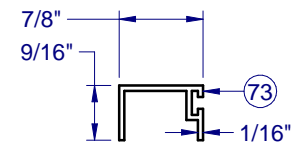
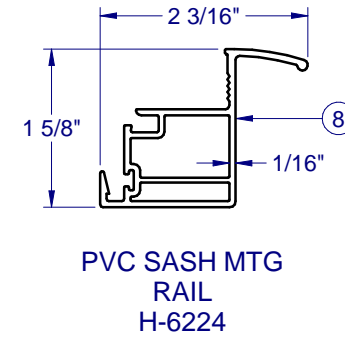
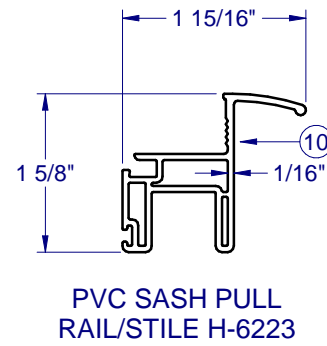
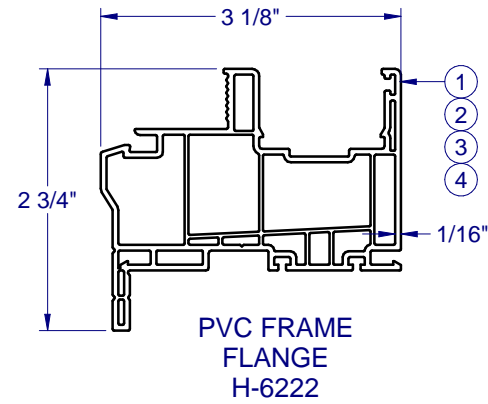
INTERIOR



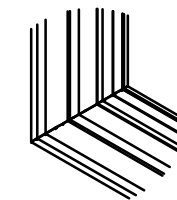
SECTION A-A

NOTE: ITEMS NOT SHOWN FOR CLARITY:  
 20, 25-26, 36-37, 44, 51-52, 55-56, 64, 67-68

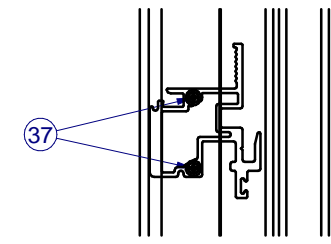
PARTS LIST			
ITEM	PART #	DESCRIPTION	MATERIAL
1	H-6222	Main Frame, SH, w/Flg., PVC	Vinyl
6	S-1577	Impact Hook	Alum
8	H-6224	Sash Meet. Rail, PVC	Vinyl
9	H-2124	Reinf. Sash Meet. Rail	Alum
10	H-6223	Sash Bottom Rail, PVC	Vinyl
12	H-6225	Sash Side/Top/Bot. Rail	Vinyl
13	S-2129	Reinf. S.B.R./S.S.R	
14	S-6237	Glz. Bd., 7/8"	Vinyl
18	S-6226	Scrn. Adapt., w/Nib, PVC, Horiz.	Vinyl
19	S-6227	Scrn. Adapt., PVC, Vert.	Vinyl
20	S-6025	Sash Stop / Filler, PVC, Vert.	Vinyl
23	H-2123	Reinforcement, SBR	Alum
24		SASH BALANCE	
25	P-4056	SASH CAM FOR PVC WINDOW	Plastic
26	P-3295	TAKE OUT CLIP	SS
27	P-3783	Lock, Impact, PVC	
28	P-4069	Keeper, Impact, PVC	Zamac
30	P-4479	WEEP HOLE COVER	Plastic
32	P-3305	Wstp., 0.270 x .187 High Density	
37	P-4638	#8 x 2-1/2 PH Mod. Truss, Type A, TEK 2	Steel
39	P-4051W	#8 x 1.250 Ph FH TEK, Wht.	Steel
40	P-3539	#8 x 3/4" Phillips Square SMS	Steel
44	P-3342	Seam Sealer, SM-5504	
45	P-5588	Cap Plug, 1/2" Hole	Nylon
47		Sikaflex 552 or Purfect Glaze "H"	
48	P-5615	Set. Blk., 85 Dur., 1/8" x 1" x 2" Lg.	Rubber
53	Sash	SEE SHEET 2	
54	Fixed	SEE SHEET 2	
56		Spacer (SEE SHEET 2)	
62	P-3218	Screen Frame	Alum
64	P-4754	SCREEN CORNER KEY	Plastic
65	P-4771	36"-BetterVue Insect Screen, 18x16	Fiberglass
66	P-5576	Screen Spline, .125" Black PE Ribbed	Vinyl
67	P-4755	Screen Corner Key W/ Safety Pull Tab	Alum
68	P-3195	SPRING, NO HOLE TENSION C-8400	SS
70	P-4959	Wstp., .420 x .187 High Density	
71	H-2121	Alum. Fixed Rail	Alum
72	S-6228	Cover, Fixed Rail	Vinyl
73	S-1112	Reinforcement, Impact Hook	Alum
74	P-3541	#8 x 1/2", Quadrex PH, TEK	Steel



**FRAME CORNER CONSTRUCTION**



CORNER WELD (ALL SIDES) 1:8



FIXED MEETING RAIL SCREWED TOGETHER WITH OUTERFRAME 1:8



**510 PVC SINGLE HUNG IMPACT**

PROPRIETARY AND CONFIDENTIAL  
 THE INFORMATION CONTAINED IN THIS DRAWING IS THE SOLE PROPERTY OF CUSTOM WINDOW SYSTEMS, INC. ANY REPRODUCTION IN PART OR AS A WHOLE WITHOUT THE WRITTEN PERMISSION OF CUSTOM WINDOW SYSTEMS, INC IS PROHIBITED.

FLORIDA APPROVAL NO.: 33545



9/26/2023

LUCAS A. TURNER, P.E.  
 FL PE # 58201  
 Turner Engineering & Consulting, Inc.  
 2428 Old Natchez Trc Trl  
 Camden, TN 38320  
 PH. 941-380-1574

SHEET DESCRIPTION:

BOM AND EXTRUSIONS

DRAWN BY: MCS	DATE: 10/6/2023
DWG #: PEL-812	REV.: B
SCALE: 1:2	SHEET 4 OF 6

LINE ITEMS NOT USED:  
 5, 7, 11, 15-17, 21-22, 29, 31, 33-36, 41-43, 46, 49-50, 55, 57-61, 69

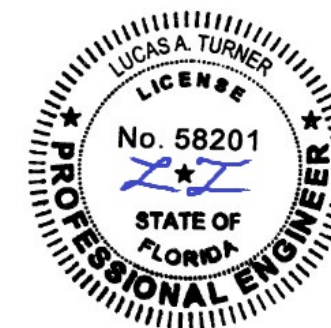
NOTE: ALL ALUMINUM EXTRUSIONS ARE 6063-T6 UNLESS OTHERWISE NOTED.



**510 PVC  
SINGLE HUNG  
IMPACT**

PROPRIETARY AND CONFIDENTIAL  
THE INFORMATION CONTAINED IN  
THIS DRAWING IS THE SOLE  
PROPERTY OF CUSTOM WINDOW  
SYSTEMS, INC. ANY  
REPRODUCTION IN PART OR AS A  
WHOLE WITHOUT THE WRITTEN  
PERMISSION OF CUSTOM WINDOW  
SYSTEMS, INC IS PROHIBITED.

FLORIDA APPROVAL NO.:  
33545

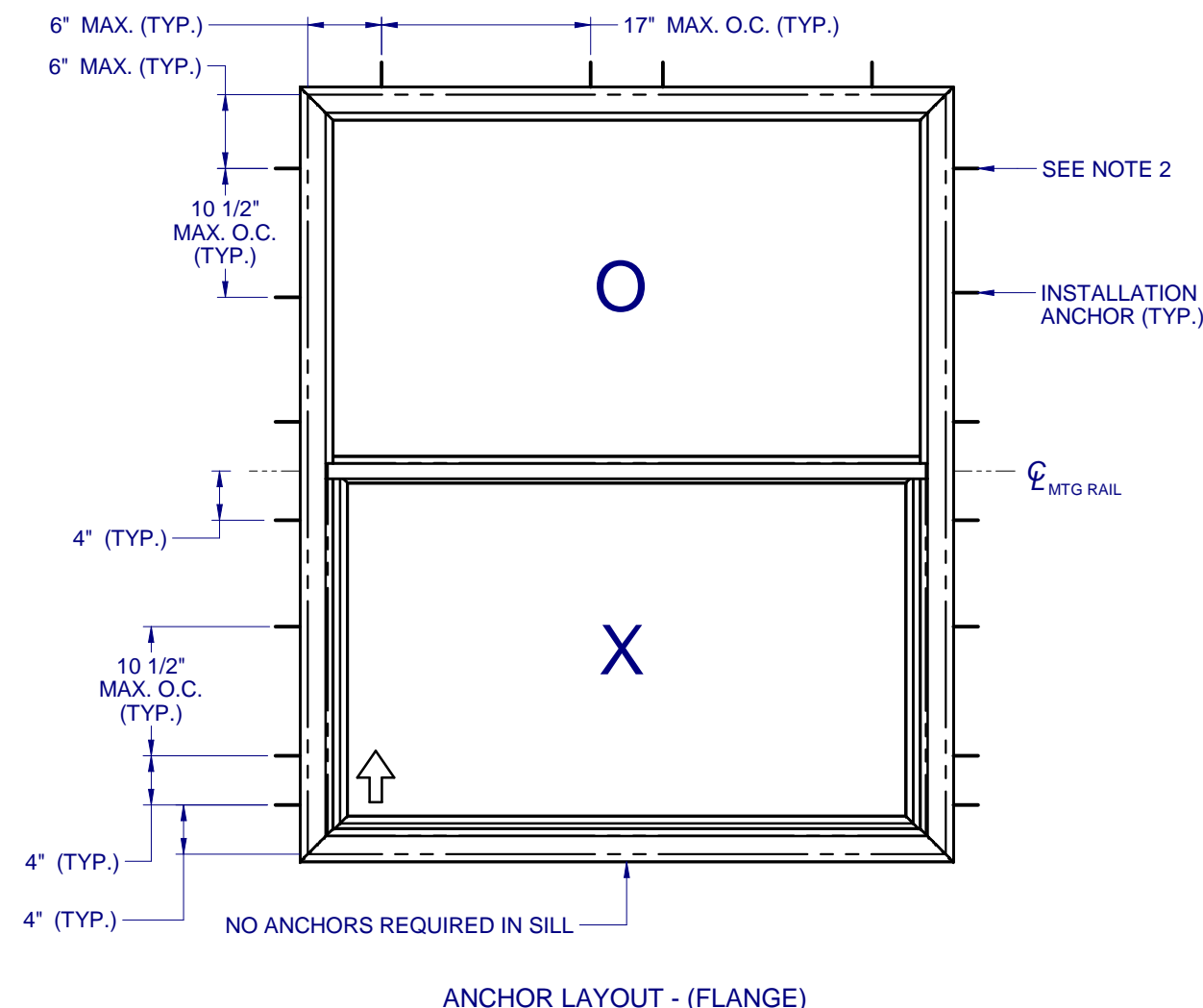


9/26/2023

LUCAS A. TURNER, P.E.  
FL PE # 58201  
Turner Engineering &  
Consulting, Inc.  
2428 Old Natchez Trc Trl  
Camden, TN 38320  
PH. 941-380-1574

SHEET DESCRIPTION:  
**ANCHOR SCHEDULE AND  
NOTES**

DRAWN BY: MCS	DATE: 10/6/2023
DWG #: PEL-812	REV.: B
SCALE: 1:15	SHEET 5 OF 6



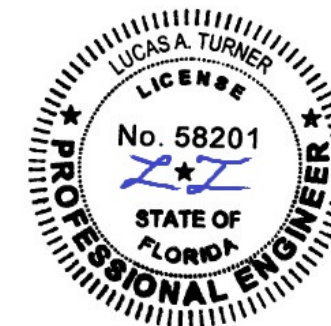
**NOTES:**

1. INSTALL ONE ANCHOR AT EACH INSTALLATION LOCATION. NO ANCHORS REQUIRED IN SILL.
2. SHIM AS REQ AT EACH INSTALLATION ANCHOR USING LOAD BEARING SHIMS. MAX. ALLOWABLE SHIM STACK TO BE 1/4". USE SHIMS WHERE SPACE GREATER THAN 1/16" IS PRESENT. LOAD BEARING SHIMS SHALL BE CONSTRUCTED OF HIGH DENSITY PLASTIC OR BETTER. WOOD SHIMS ARE NOT ALLOWED.
3. ANCHOR TYPE, SIZE, SPACING AND EMBEDMENT SHALL BE AS SPECIFIED IN THESE DRAWINGS, SEE TABLE 1, SHEET 6.
4. ALL INSTALLATION ANCHORS MUST BE MADE OF OR PROTECTED WITH A CORROSION RESISTANT MATERIAL OR COATING. DISSIMILAR METALS OR MATERIALS IN CONTACT WITH PRESSURE TREATED WOOD MUST BE PROTECTED TO PREVENT REACTION.
5. INSTALLATION ANCHORS SHALL BE IN ACCORDANCE WITH ANCHOR MANUFACTURER'S INSTALLATION INSTRUCTIONS, AND ANCHORS SHALL NOT BE USED IN SUBSTRATES WITH STRENGTHS LESS THAN THE MINIMUM SPECIFIED IN TABLE 1, SHEET 6.
6. ANCHOR EMBEDMENT TO SUBSTRATE SHALL BE BEYOND WALL DRESSING OR STUCCO. FOR CONCRETE/CMU OPENINGS, EMBEDMENT SHALL BE BEYOND WOOD BUCKS, IF USED, INTO SUBSTRATE. INSTALLATIONS TO SOLID CONCRETE OR GROUT-FILLED CMU MAY INCLUDE BUT DO NOT REQUIRE 1X WOOD BUCKS BETWEEN THE PRODUCT AND THE SUBSTRATE. INSTALLATIONS TO HOLLOW CMU REQUIRE THE USE OF 1X BUCKS BETWEEN THE PRODUCT AND SUBSTRATE.
7. A MINIMUM CENTER-TO-CENTER SPACING SHALL BE MAINTAINED BETWEEN ALL FASTENERS: 3" FOR MASONRY, 1" FOR WOOD AND METAL.
8. WOOD OR MASONRY OPENINGS, BUCKS AND BUCK FASTENERS SHALL BE PROPERLY DESIGNED BY THE ARCHITECT OR ENGINEER OF RECORD AND INSTALLED TO TRANSFER WIND LOADS TO THE STRUCTURE. SUBSTRATES SHALL MEET THE MINIMUM STRENGTH REQUIREMENTS AS SHOWN IN TABLE1, SHEET 6. CONCRETE AND MASONRY SUBSTRATES MAY NOT BE CRACKED.
9. SEALING AND FLASHING STRATEGIES FOR OVERALL WATER RESISTANCE OF INSTALLATION SHALL BE DONE BY OTHERS FOLLOWING THE CURRENT VERSION OF THE REFERENCE DOCUMENTS:  
FMA/AAMA 100(FIN WINDOWS), FMA/AAMA 200(FLANGE WINDOWS), FMA/WDMA 250(BOX WINDOWS), FMA/AAMA/WDMA 300(EXTERIOR DOORS)

## 510 PVC SINGLE HUNG IMPACT

PROPRIETARY AND CONFIDENTIAL  
 THE INFORMATION CONTAINED IN THIS DRAWING IS THE SOLE PROPERTY OF CUSTOM WINDOW SYSTEMS, INC. ANY REPRODUCTION IN PART OR AS A WHOLE WITHOUT THE WRITTEN PERMISSION OF CUSTOM WINDOW SYSTEMS, INC IS PROHIBITED.

FLORIDA APPROVAL NO.:  
 33545



9/26/2023

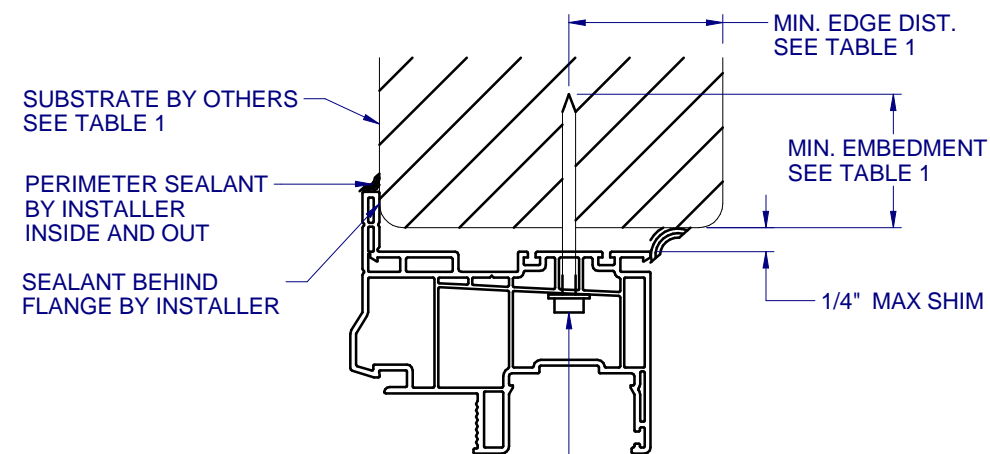
LUCAS A. TURNER, P.E.  
 FL PE # 58201  
 Turner Engineering & Consulting, Inc.  
 2428 Old Natchez Trc Trl  
 Camden, TN 38320  
 PH. 941-380-1574

SHEET DESCRIPTION:

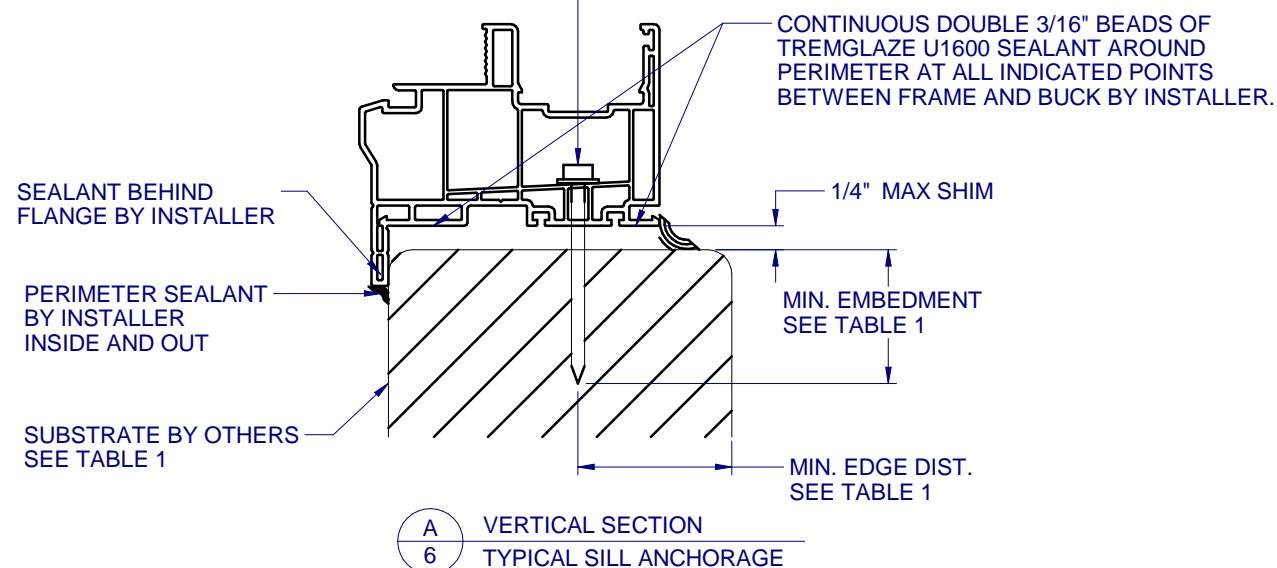
### INSTALLATION DETAILS

DRAWN BY:	DATE:
MCS	10/6/2023
DWG #:	REV.:
PEL-812	B
SCALE:	SHEET
1:2	6 OF 6

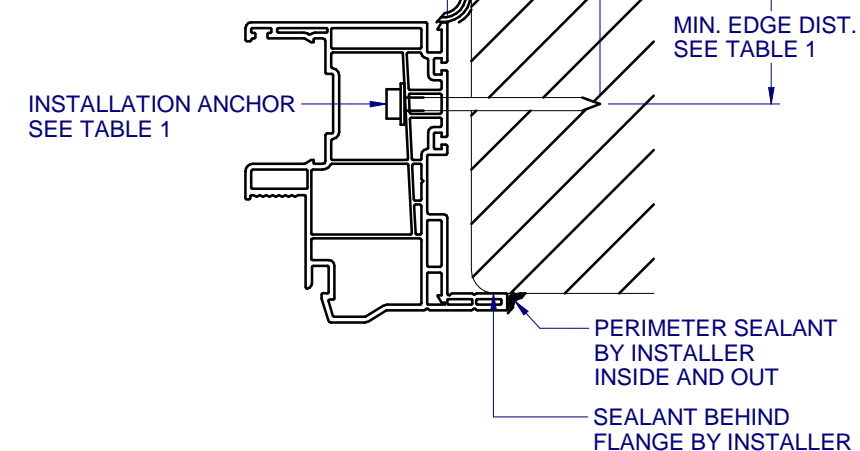
TYPICAL HEAD ANCHORAGE



INSTALLATION ANCHOR SEE TABLE 1

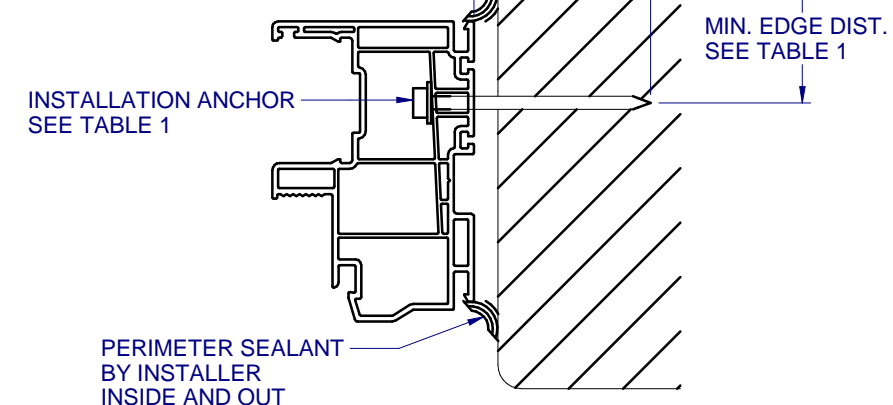


MIN. EMBEDMENT SEE TABLE 1  
 1/4" MAX SHIM  
 SUBSTRATE BY OTHERS SEE TABLE 1



**B**  
**6** HORIZONTAL SECTION  
 TYPICAL JAMB ANCHORAGE

MIN. EMBEDMENT SEE TABLE 1  
 1/4" MAX SHIM  
 SUBSTRATE BY OTHERS SEE TABLE 1



**C**  
**6** HORIZONTAL SECTION  
 BOX FRAME INSTALLATION  
 HEAD AND SILL SIMILAR FOR BOX INSTALLATION

FLANGE REMOVAL NOTE: PARTIALLY OR FULLY REMOVING THE FLANGE, UP TO AND INCLUDING A BOX-FRAME APPLICATION IS ACCEPTABLE PROVIDED:

- MIN. 1/4" FILLET OF CONSTRUCTION-GRADE ADHESIVE CAULK IS APPLIED INSIDE AND OUT, FULL PERIMETER, BY INSTALLER.
- PRODUCT ANCHORAGE IS IN ACCORDANCE WITH REQUIREMENTS AS SHOWN FOR FLANGE WINDOWS.

TABLE 1: APPROVED INSTALLATION FASTENERS

SUBSTRATE TYPE	ANCHOR TYPE	MIN. EMBEDMENT	MIN. EDGE DIST.
CONCRETE (2.0 KSI MIN.)	3/16" ITW TAPCON	1-1/2"	1-1/8"
HOLLOW OR GROUT-FILLED CMU (117 PCF MIN.)	3/16" ITW TAPCON	1"	2"
CONCRETE (3.05 KSI MIN.)	3/16" DEWALT ULTRACON+	1-3/4"	1"
HOLLOW OR GROUT-FILLED CMU (ASTM C-90)	3/16" DEWALT ULTRACON+	1-1/4"	2-1/2"
2X MIN. SOUTHERN PINE (G=0.55)	3/16" ITW TAPCON OR DEWALT ULTRACON+	1-3/8"	7/8"
2X MIN. SOUTHERN PINE (G=0.55)	#10 WOOD SCREW	1-3/8"	7/8"
16 GAUGE (0.060") MIN. STEEL STUD (33 KSI YIELD MIN)	#10-16 HILTI KWIK-FLEX OR ITW TEKS SELF-DRILLING SCREW	FULL THREAD THRU 0.060"	7/16"
1/8" ALUM. (6063-T5 MIN.) OR 1/8" STEEL (33 KSI MIN.)	#10 GRADE 5 SELF-TAPPING / DRILLING SCREW	FULL THREAD THRU 0.125"	7/16"