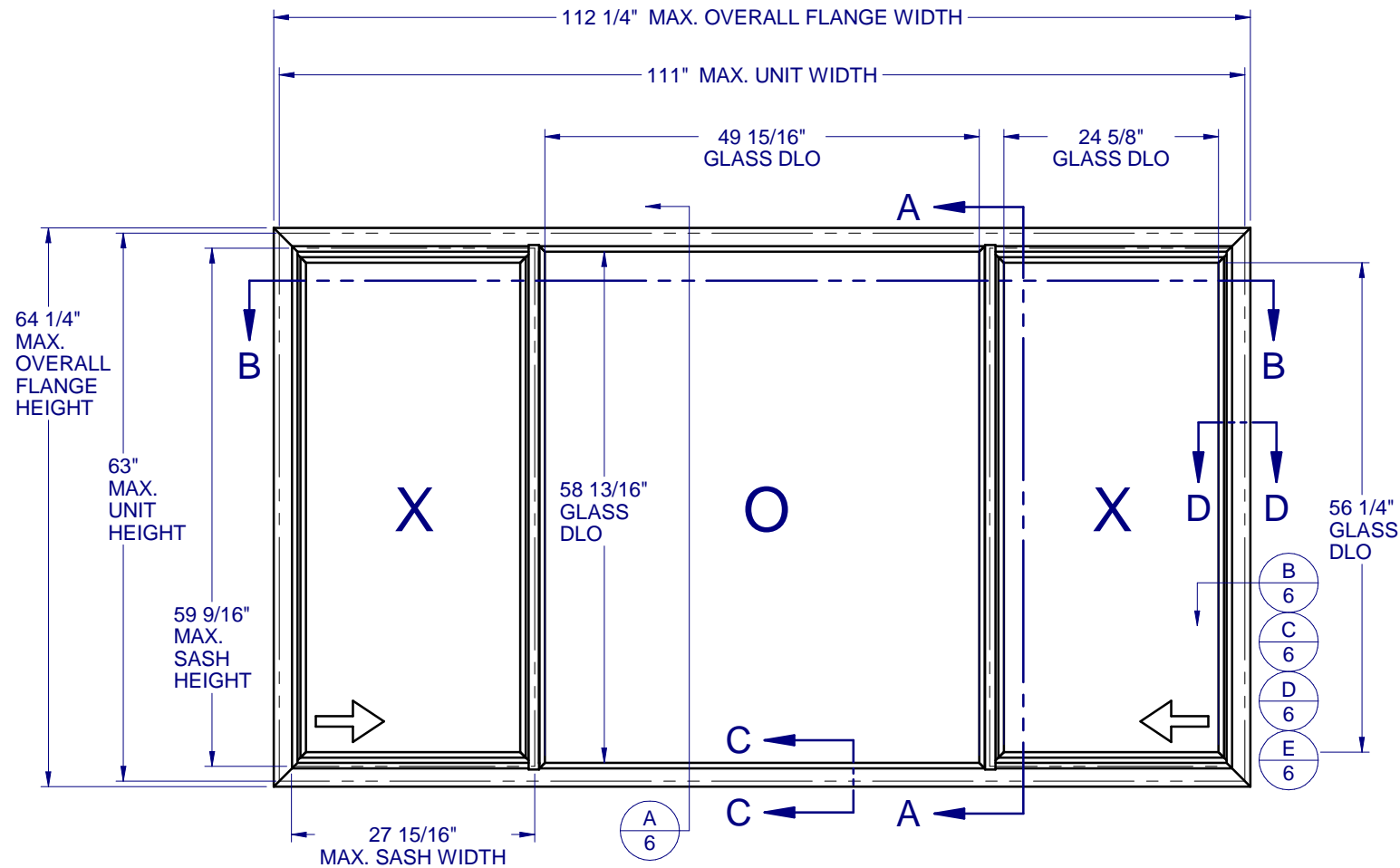


HORIZONTAL SLIDER - LARGE MISSILE IMPACT



GENERAL NOTES:

1. THE PRODUCT SHOWN HEREIN IS DESIGNED AND MANUFACTURED TO COMPLY WITH THE FLORIDA BUILDING CODE (FBC), CURRENT EDITION INCLUDING THE HIGH VELOCITY HURRICANE ZONE (HVHZ) AND IS RATED FOR WIND ZONE 4 MISSILE LEVEL D IMPACT USE AS DEFINED IN ASTM E 1996 PER THE FBC.
2. GLAZING OPTIONS: (SEE SHEET 2)
3. CONFIGURATIONS: "XOX"
4. DESIGN PRESSURE RATING:
 - NEGATIVE DESIGN LOADS BASED ON, TESTED PRESSURE AND GLASS TABLES ASTM E-1300-04e01/09.
 - POSITIVE DESIGN LOADS BASED ON, TESTED PRESSURE, WATER INFILTRATION TEST PRESSURE AND GLASS TABLES ASTM E-1300-04e01/09.
5. ANCHORAGE: THE 33 1/3% STRESS INCREASE HAS NOT BEEN USED IN THE DESIGN OF THIS PRODUCT. SEE SHEET 6 FOR ANCHOR DETAILS. WINDLOAD DURATION FACTOR Cd=1.6 WAS USED FOR WOOD ANCHOR CALCULATIONS.
6. PRODUCT APPROVED FOR IMPACT RESISTANCE. SHUTTERS ARE NOT REQUIRED. THE IMPACT ROTARY LOCKS ARE INTENDED TO BE LEFT UNLATCHED DURING NORMAL OPERATION OF THIS PRODUCT, BUT MUST BE ENGAGED PRIOR TO EXPOSURE TO HURRICANE WINDS AND FLYING DEBRIS.
7. ALL FRAMES AND VENTS FULLY WELDED. SMALL JOINT SEAM SEALANT USED AT FIXED MEETING RAIL AND HEAD/SILL.
8. SERIES / MODEL DESIGNATION HS-8200.
9. THE DESIGNATION X AND O STAND FOR THE FOLLOWING:
 - X = OPERABLE SASH, O = FIXED SASH
10. SECTION CALLOUTS APPLY TO ALL ELEVATIONS IN A SIMILAR LOCATION.
11. EXTERNAL WEEP SLOT = 1/4" x 1" LOCATED 4" FROM BOTH ENDS.



520 PVC SLIDING WINDOW IMPACT

PROPRIETARY AND CONFIDENTIAL
 THE INFORMATION CONTAINED IN THIS DRAWING IS THE SOLE PROPERTY OF CUSTOM WINDOW SYSTEMS, INC. ANY REPRODUCTION IN PART OR AS A WHOLE WITHOUT THE WRITTEN PERMISSION OF CUSTOM WINDOW SYSTEMS, INC IS PROHIBITED.

FLORIDA APPROVAL NO.:
33558



8/15/2023

LUCAS A. TURNER, P.E.
 FL PE # 58201
 Turner Engineering & Consulting, Inc.
 2428 Old Natchez Trc Trl
 Camden, TN 38320
 PH. 941-380-1574

SHEET DESCRIPTION:
GENERAL NOTES AND ELEVATIONS

| | |
|-------------------|--------------------|
| DRAWN BY: MCS | DATE: 7/31/2023 |
| DWG #: CWS-869 | REV.: E |
| SCALE: 1:20 | SHEET 1 OF 6 |

TABLE OF CONTENTS

| | |
|---------------------------------|---|
| GENERAL NOTES & ELEVATIONS..... | 1 |
| GLAZING DETAILS..... | 2 |
| SECTION VIEWS..... | 3 |
| BOM & EXTRUSIONS..... | 4 |
| ANCHOR SCHEDULE & NOTES..... | 5 |
| INSTALLATION DETAILS..... | 6 |

| MAX. UNIT SIZE | DESIGN PRESSURE RATING | IMPACT RATING |
|----------------|------------------------|----------------------|
| 111" x 63" | +/- 60 PSF | LARGE MISSILE IMPACT |

**520 PVC
 SLIDING WINDOW
 IMPACT**

PROPRIETARY AND CONFIDENTIAL
 THE INFORMATION CONTAINED IN
 THIS DRAWING IS THE SOLE
 PROPERTY OF CUSTOM WINDOW
 SYSTEMS, INC. ANY
 REPRODUCTION IN PART OR AS A
 WHOLE WITHOUT THE WRITTEN
 PERMISSION OF CUSTOM WINDOW
 SYSTEMS, INC IS PROHIBITED.

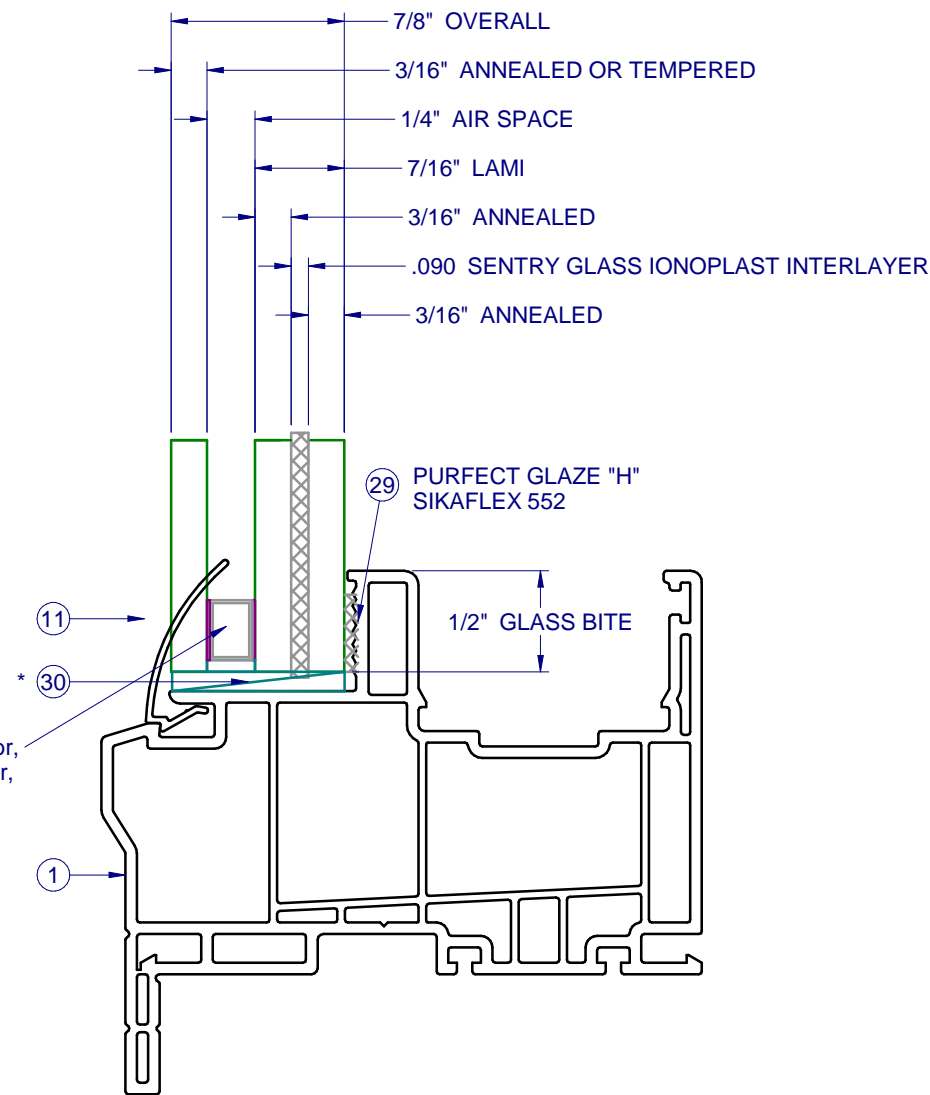
FLORIDA APPROVAL NO.:
 33558



8/15/2023
 LUCAS A. TURNER, P.E.
 FL PE # 58201
 Turner Engineering &
 Consulting, Inc.
 2428 Old Natchez Trc Trl
 Camden, TN 38320
 PH. 941-380-1574

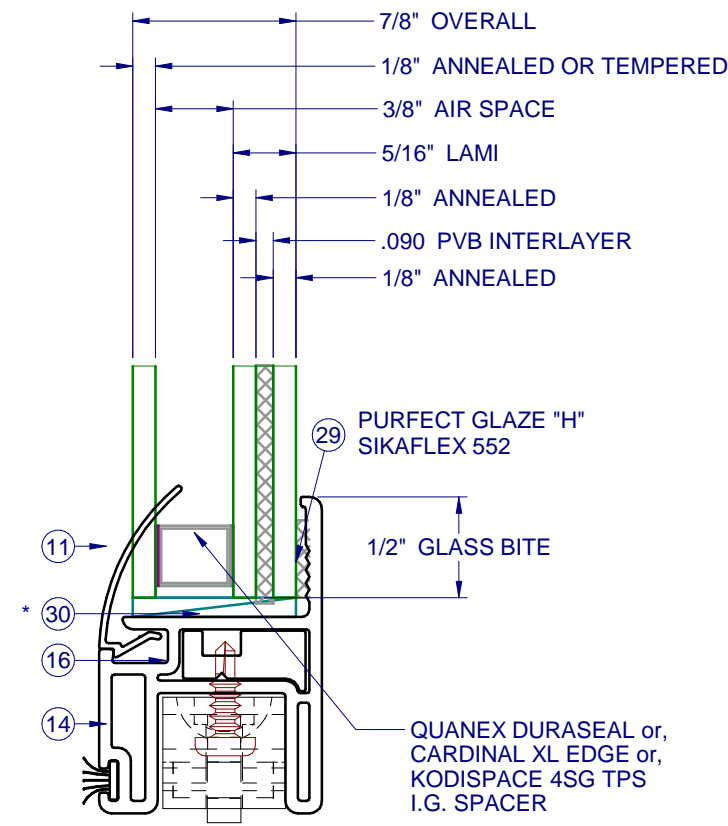
SHEET DESCRIPTION:
GLAZING DETAILS

| | |
|--------------------------|---------------------------|
| DRAWN BY: MCS | DATE: 7/31/2023 |
| DWG #: CWS-869 | REV.: E |
| SCALE: 1:1 | SHEET 2 OF 6 |



**GLASS TYPE A
 FIXED GLASS**

QUANEX DURASEAL or,
 CARDINAL XL EDGE or,
 KODISPACE 4SG TPS
 I.G. SPACER



**GLASS TYPE B
 SASH GLASS**

* SETTING BLOCKS PER FBC 2411.3.3.1

**520 PVC
 SLIDING WINDOW
 IMPACT**

PROPRIETARY AND CONFIDENTIAL
 THE INFORMATION CONTAINED IN
 THIS DRAWING IS THE SOLE
 PROPERTY OF CUSTOM WINDOW
 SYSTEMS, INC. ANY
 REPRODUCTION IN PART OR AS A
 WHOLE WITHOUT THE WRITTEN
 PERMISSION OF CUSTOM WINDOW
 SYSTEMS, INC IS PROHIBITED.

FLORIDA APPROVAL NO.:
 33558



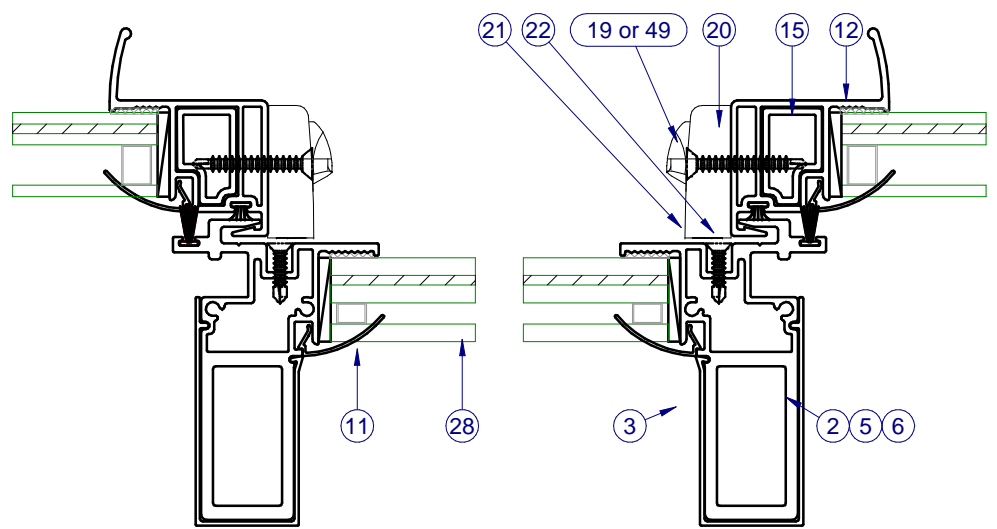
8/15/2023
 LUCAS A. TURNER, P.E.
 FL PE # 58201
 Turner Engineering &
 Consulting, Inc.
 2428 Old Natchez Trc Trl
 Camden, TN 38320
 PH. 941-380-1574

SHEET DESCRIPTION:

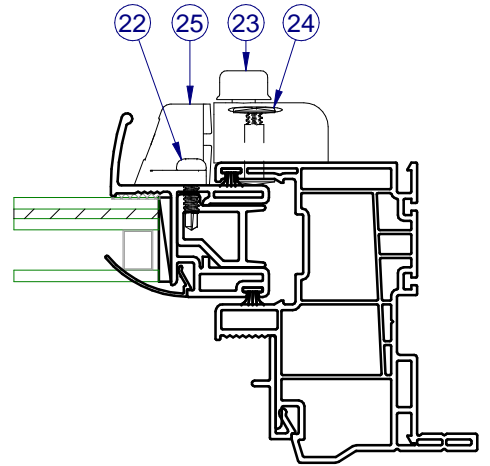
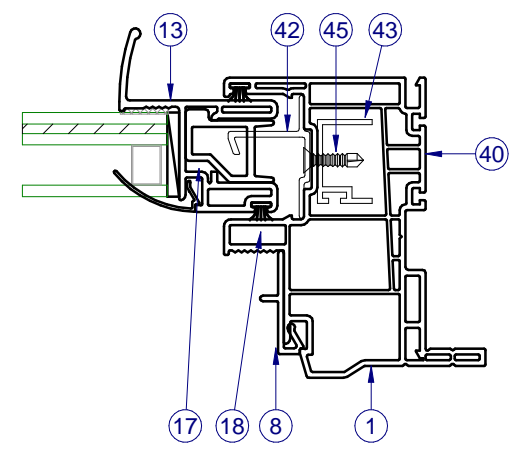
SECTION VIEWS

| | |
|-----------|-----------|
| DRAWN BY: | DATE: |
| MCS | 7/31/2023 |
| DWG #: | REV.: |
| CWS-869 | E |
| SCALE: | SHEET |
| 1:2 | 3 OF 6 |

INTERIOR

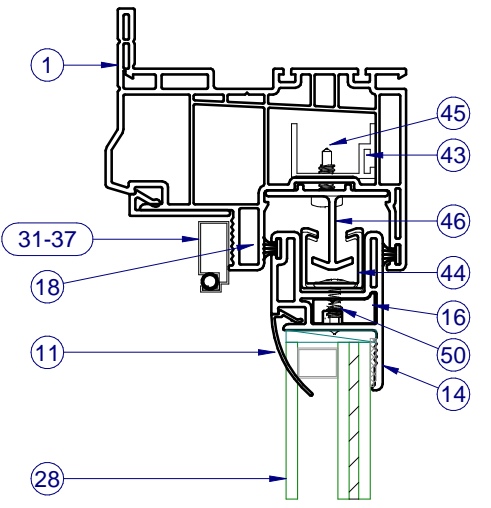


SECTION VIEW B-B

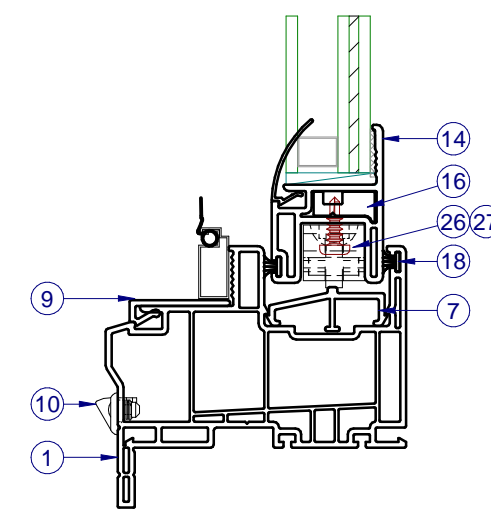


SECTION VIEW D-D
 JAMB ROTARY LOCKS

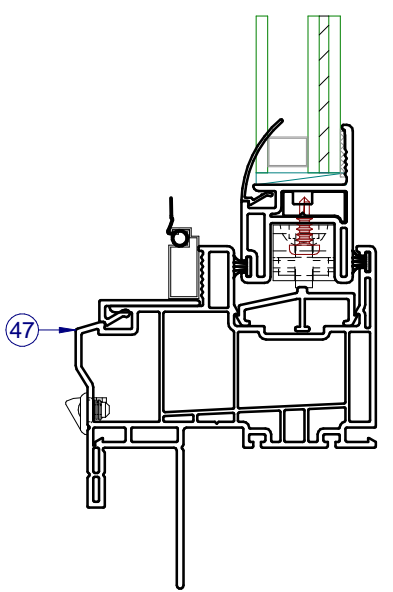
JAMB ROTARY LOCKS:
 - MAY BE SUBSTITUTED FOR JAMB
 IMPACT LOCKS ON FLANGE UNITS.
 - REQUIRED ON FIN UNITS.



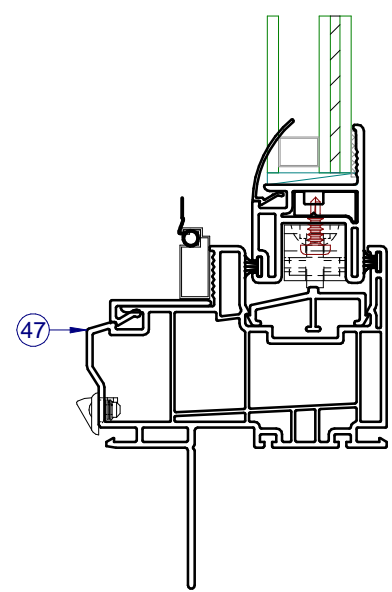
INTERIOR



SECTION VIEW A-A

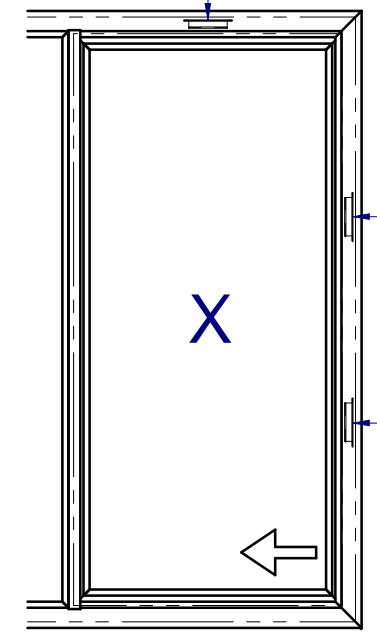


SECTION VIEW C-C
 ALTERNATE FIN FRAME



SECTION VIEW C-C
 ALTERNATE FIN ONLY FRAME

HEAD IMPACT HOOK (TYP.)
 MIDSPAN OF SASHES
 (ITEMS 44 & 46)

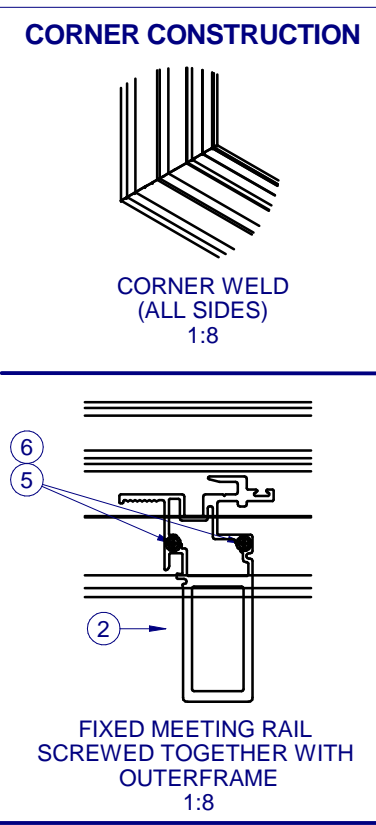
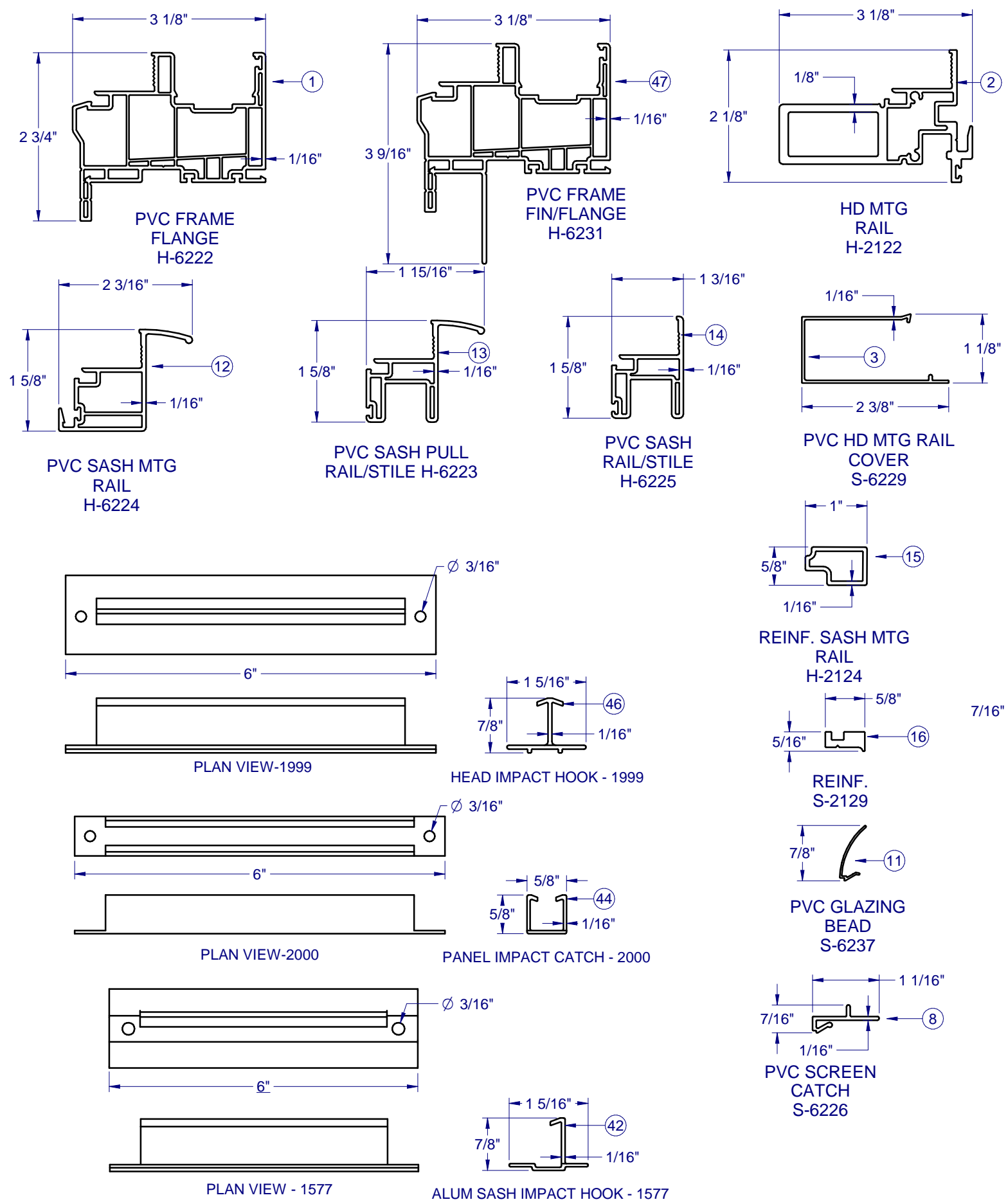


HEAD IMPACT HOOK AND
 JAMB IMPACT HOOK/ROTARY LOCK LOCATIONS
 1:20

JAMB IMPACT HOOKS (ITEM 42)
 OR ROTARY LOCKS (ITEM 23)
 LOCATED AT THIRD POINTS.

NOTES:
 - EITHER IMPACT HOOKS OR ROTARY LOCKS
 MUST BE USED IN BOTH JAMBS OF FLANGE UNITS.
 - ONLY ROTARY LOCKS MUST BE USED IN BOTH
 JAMBS OF FIN UNITS.

| PARTS LIST | | | |
|------------|--------|---|----------|
| ITEM | PART # | DESCRIPTION | MATERIAL |
| 1 | H-6222 | Main Frame, SH/HS, Flange, PVC | PVC |
| 2 | H-2122 | Fixed Rail, Heavy Duty, Aluminum | Alum |
| 3 | S-6229 | Cover, HD Fixed Rail, PVC | PVC |
| 5 | P-4638 | #8 x 2 1/2" Ph Mod Truss Type A TEK | Steel |
| 6 | P-3342 | Seam Sealer, SM-5504 | Silicone |
| 7 | S-1776 | Roller Track | Alum |
| 8 | S-6226 | Screen Adapter, Jamb, PVC | PVC |
| 9 | S-6227 | Screen Adapter, Head & Sill, PVC | PVC |
| 10 | P-4479 | Weep Cover w/ Flap | Nylon |
| 11 | S-6237 | Glazing Bead | PVC |
| 12 | H-6224 | Sash Meeting Rail, PVC | PVC |
| 13 | H-6223 | Sash Pull Rail, PVC | PVC |
| 14 | H-6225 | Sash Top/Bot. Rail, PVC | PVC |
| 15 | H-2124 | Reinf. Sash Meet. Rail | Alum |
| 16 | S-2129 | Reinforcement, Sash, Side Rail | Alum |
| 17 | H-2123 | Reinforcement, Sash Pull Rail | Alum |
| 18 | P-3429 | Wstp., 0.270 x .187 back FinSeal, Gray | |
| 19 | P-3783 | Lock, Impact, PVC | |
| 20 | P-4051 | #8 x 1 1/4" Ph Flat Tek, Wht. | Steel |
| 21 | P-4069 | Keeper, Impact, PVC | |
| 22 | P-3539 | #8 x 3/4" Square PH Tek, Wht. | Steel |
| 23 | P-4958 | Rotary Lock | |
| 24 | P-4633 | 8-32 x 1/2" Barrel Fastener | |
| 25 | P-4952 | Keeper, Rotary Lock | |
| 26 | P-5241 | Roller Ass., Tandem, w/SS Bearings | Nylon |
| 27 | P-3541 | #8 x 1/2" Quad PH TEK 2 Zinc | Steel |
| 28 | GLASS | SEE SHEET 2 | GLASS |
| 29 | | Purfect Glaze "H" or Sikaflex 552 | Silicone |
| 30 | P-5612 | Set. Block, .12x1x2, SmartBlox PSA- | Rubber |
| 31 | P-3218 | Screen Frame | RollForm |
| 32 | P-4754 | Screen Corner Key | Nylon |
| 33 | P-4755 | Screen Corner Key w/Safety Tab | Nylon |
| 34 | P-3029 | Screen Pull tab | |
| 35 | P-3195 | SPRING, NO HOLE TENSION C-8400 | SS |
| 36 | P-5576 | Screen Spline, .125" Black PE Ribbed | |
| 37 | P-4769 | 26" BetterVue Insect Screen CHARCOAL SCREEN | |
| 41 | P-5588 | Cap Plug, 1/2" Hole | Nylon |
| 42 | S-1577 | Impact Hook, Frame, Jamb | Alum |
| 43 | S-1112 | Reinforcement, Head, Jamb | Alum |
| 44 | S-2000 | Impact Channel, Sash | Alum |
| 45 | P-3748 | #6 X 5/8 Ph FH TEK, Zinc, Painted | Steel |
| 46 | S-1999 | Impact Hook, Frame, Head | Alum |
| 47 | H-6231 | Main Frame, SH/HS, Fin, PVC | PVC |
| 50 | P-4730 | #8 x 1/2" Ph Mod Truss TEK | Steel |



Pella Corporation
102 Main Street
Pella, IA 50219
www.pella.com

520 PVC SLIDING WINDOW IMPACT

PROPRIETARY AND CONFIDENTIAL

THE INFORMATION CONTAINED IN THIS DRAWING IS THE SOLE PROPERTY OF CUSTOM WINDOW SYSTEMS, INC. ANY REPRODUCTION IN PART OR AS A WHOLE WITHOUT THE WRITTEN PERMISSION OF CUSTOM WINDOW SYSTEMS, INC IS PROHIBITED.

FLORIDA APPROVAL NO.: 33558

LUCAS A. TURNER
LICENSE
No. 58201
STATE OF FLORIDA
PROFESSIONAL ENGINEER

8/15/2023

LUCAS A. TURNER, P.E.
FL PE # 58201
Turner Engineering & Consulting, Inc.
2428 Old Natchez Trc Trl
Camden, TN 38320
PH. 941-380-1574

SHEET DESCRIPTION:
BOM AND EXTRUSIONS

| | |
|-------------------|--------------------|
| DRAWN BY: MCS | DATE: 7/31/2023 |
| DWG #: CWS-869 | REV.: E |
| SCALE: 1:2 | SHEET 4 OF 6 |

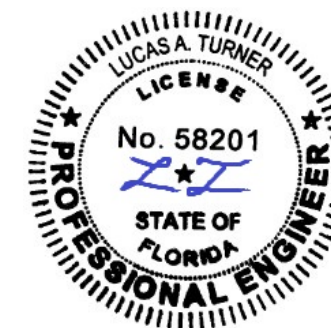
LINE ITEMS NOT USED:
4, 38-39

NOTE: ALL EXTRUSIONS ARE ALUMINUM 6063-T6 UNLESS OTHERWISE NOTED.

**520 PVC
 SLIDING WINDOW
 IMPACT**

PROPRIETARY AND CONFIDENTIAL
 THE INFORMATION CONTAINED IN
 THIS DRAWING IS THE SOLE
 PROPERTY OF CUSTOM WINDOW
 SYSTEMS, INC. ANY
 REPRODUCTION IN PART OR AS A
 WHOLE WITHOUT THE WRITTEN
 PERMISSION OF CUSTOM WINDOW
 SYSTEMS, INC IS PROHIBITED.

FLORIDA APPROVAL NO.:
 33558

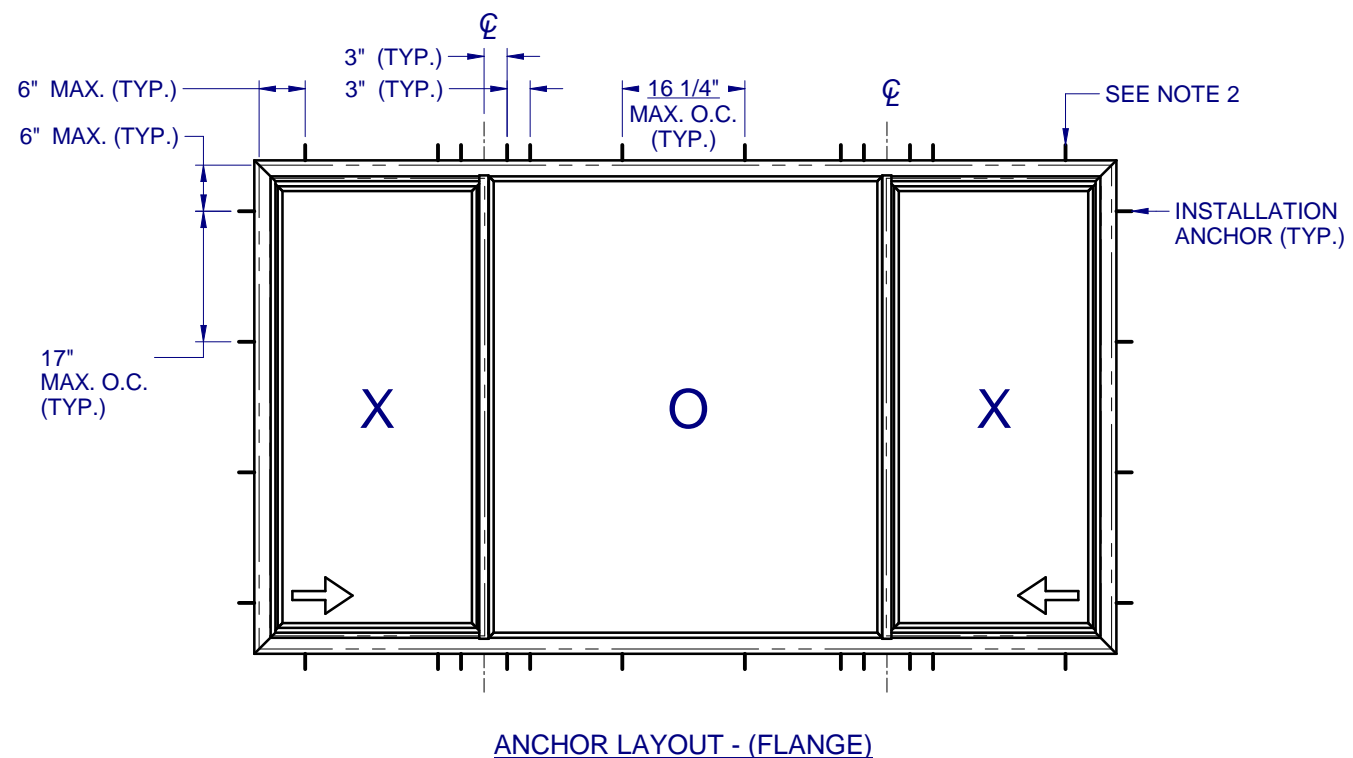


8/15/2023

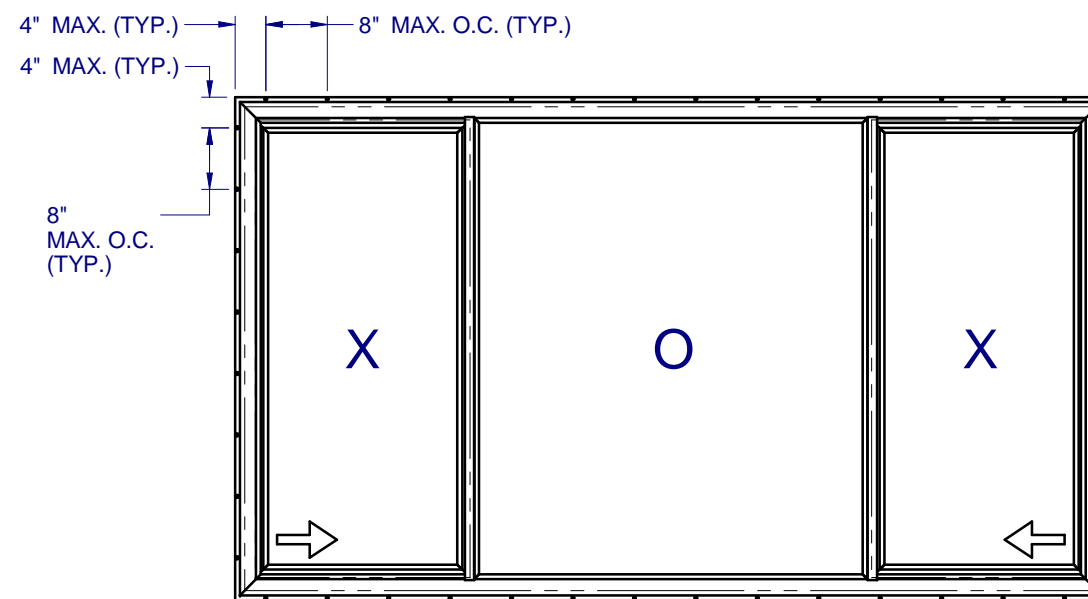
LUCAS A. TURNER, P.E.
 FL PE # 58201
 Turner Engineering &
 Consulting, Inc.
 2428 Old Natchez Trc Trl
 Camden, TN 38320
 PH. 941-380-1574

SHEET DESCRIPTION:
**ANCHOR SCHEDULE AND
 NOTES**

| | |
|-------------------|--------------------|
| DRAWN BY: MCS | DATE: 7/31/2023 |
| DWG #: CWS-869 | REV.: E |
| SCALE: 1:25 | SHEET 5 OF 6 |



ANCHOR LAYOUT - (FLANGE)



ANCHOR LAYOUT - (FIN)

NOTES:

1. INSTALL ONE ANCHOR AT EACH INSTALLATION LOCATION. SILL ANCHOR SPACING SAME AS HEAD.
2. SHIM AS REQ AT EACH INSTALLATION ANCHOR USING LOAD BEARING SHIMS. MAX. ALLOWABLE SHIM STACK TO BE 1/4". USE SHIMS WHERE SPACE GREATER THAN 1/16" IS PRESENT. LOAD BEARING SHIMS SHALL BE CONSTRUCTED OF HIGH DENSITY PLASTIC OR BETTER. WOOD SHIMS ARE NOT ALLOWED.
3. ANCHOR TYPE, SIZE, SPACING AND EMBEDMENT SHALL BE AS SPECIFIED IN THESE DRAWINGS, SEE TABLE 1, SHEET 6.
4. ALL INSTALLATION ANCHORS MUST BE MADE OF OR PROTECTED WITH A CORROSION RESISTANT MATERIAL OR COATING. DISSIMILAR METALS OR MATERIALS IN CONTACT WITH PRESSURE TREATED WOOD MUST BE PROTECTED TO PREVENT REACTION.
5. INSTALLATION ANCHORS SHALL BE IN ACCORDANCE WITH ANCHOR MANUFACTURER'S INSTALLATION INSTRUCTIONS, AND ANCHORS SHALL NOT BE USED IN SUBSTRATES WITH STRENGTHS LESS THAN THE MINIMUM SPECIFIED IN TABLE 1, SHEET 6.
6. ANCHOR EMBEDMENT TO SUBSTRATE SHALL BE BEYOND WALL DRESSING OR STUCCO. FOR CONCRETE/CMU OPENINGS, EMBEDMENT SHALL BE BEYOND WOOD BUCKS, IF USED, INTO SUBSTRATE. INSTALLATIONS TO SOLID CONCRETE OR GROUT-FILLED CMU MAY INCLUDE BUT DO NOT REQUIRE 1X WOOD BUCKS BETWEEN THE PRODUCT AND SUBSTRATE. INSTALLATIONS TO HOLLOW CMU REQUIRE THE USE OF 1X BUCKS BETWEEN THE PRODUCT AND SUBSTRATE.
7. A MINIMUM CENTER-TO-CENTER SPACING SHALL BE MAINTAINED BETWEEN ALL FASTENERS: 3" FOR MASONRY, 1" FOR WOOD AND METAL.
8. WOOD OR MASONRY OPENINGS, BUCKS AND BUCK FASTENERS SHALL BE PROPERLY DESIGNED BY THE ARCHITECT OR ENGINEER OF RECORD AND INSTALLED TO TRANSFER WIND LOADS TO THE STRUCTURE. SUBSTRATES SHALL MEET THE MINIMUM STRENGTH REQUIREMENTS AS SHOWN IN TABLE 1, SHEET 6. CONCRETE AND MASONRY SUBSTRATES MAY NOT BE CRACKED.
9. SEALING AND FLASHING STRATEGIES FOR OVERALL WATER RESISTANCE OF INSTALLATION SHALL BE DONE BY OTHERS FOLLOWING THE CURRENT VERSION OF THE REFERENCE DOCUMENTS: FMA/AAMA 100(FIN WINDOWS), FMA/AAMA 200(FLANGE WINDOWS), FMA/WDMA 250(BOX WINDOWS), FMA/AAMA/WDMA 300(EXTERIOR DOORS)

**520 PVC
 SLIDING WINDOW
 IMPACT**

PROPRIETARY AND CONFIDENTIAL
 THE INFORMATION CONTAINED IN
 THIS DRAWING IS THE SOLE
 PROPERTY OF CUSTOM WINDOW
 SYSTEMS, INC. ANY
 REPRODUCTION IN PART OR AS A
 WHOLE WITHOUT THE WRITTEN
 PERMISSION OF CUSTOM WINDOW
 SYSTEMS, INC IS PROHIBITED.

FLORIDA APPROVAL NO.:
 33558

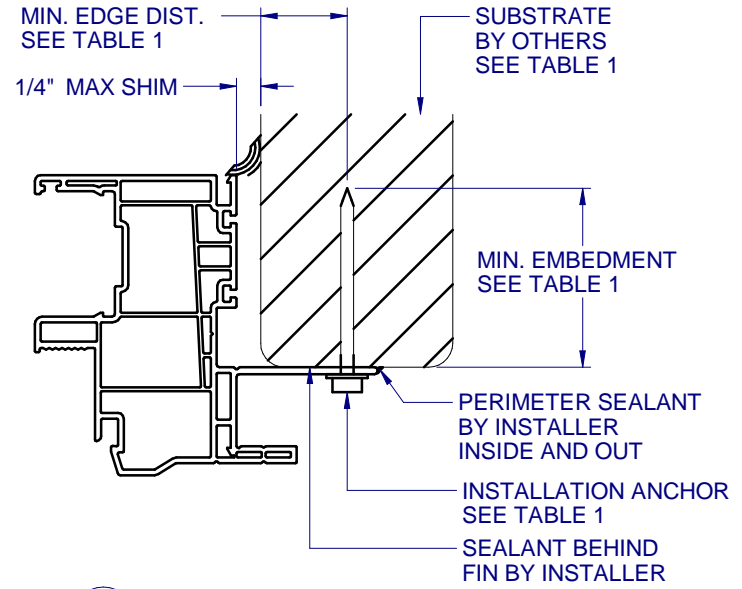


8/15/2023
 LUCAS A. TURNER, P.E.
 FL PE # 58201
 Turner Engineering &
 Consulting, Inc.
 2428 Old Natchez Trc Trl
 Camden, TN 38320
 PH. 941-380-1574

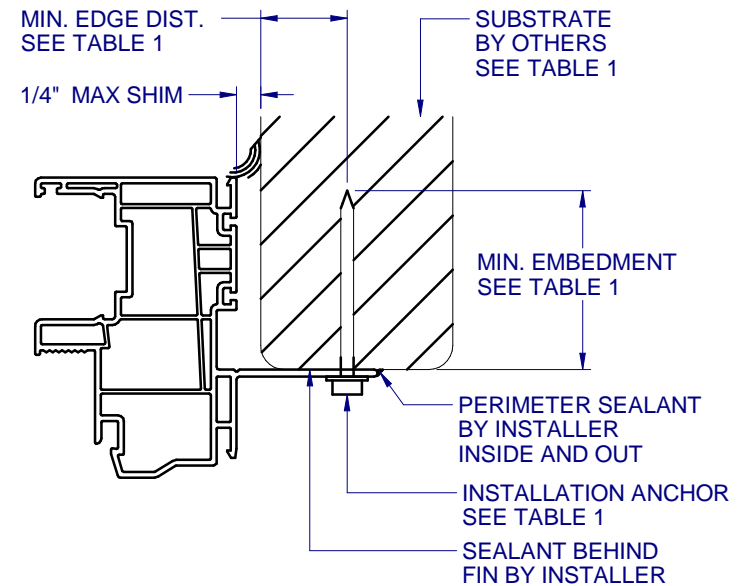
SHEET DESCRIPTION:

INSTALLATION DETAILS

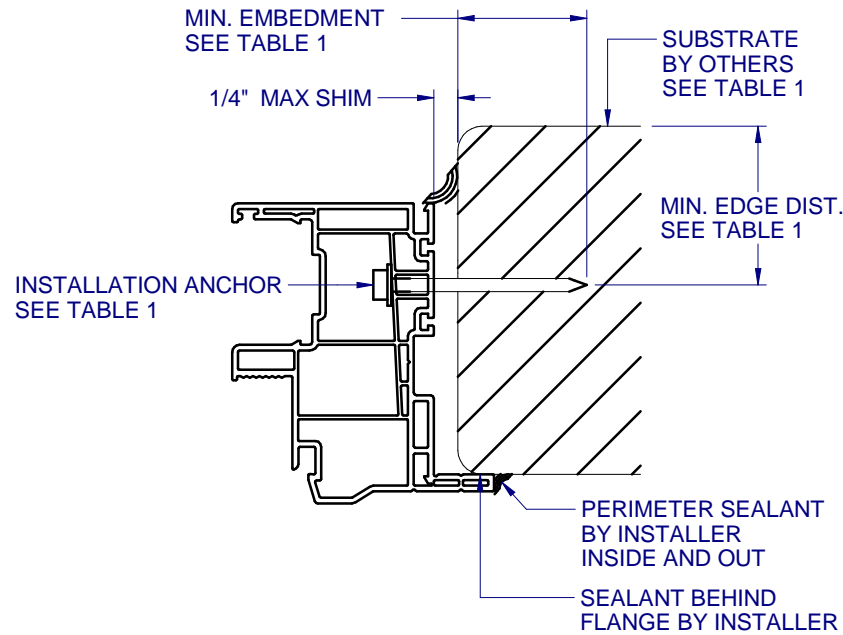
| | |
|--------------------------|---------------------------|
| DRAWN BY: MCS | DATE: 7/31/2023 |
| DWG #: CWS-869 | REV.: E |
| SCALE: 1:2 | SHEET 6 OF 6 |



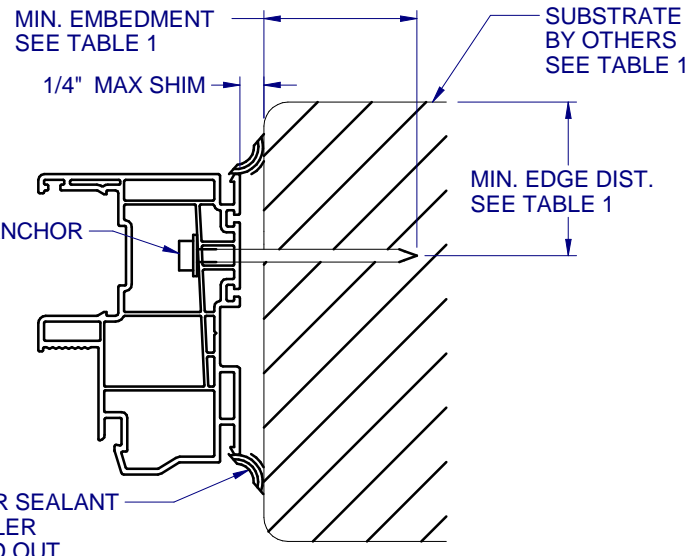
C HORIZONTAL SECTION
 6 TYPICAL FIN ANCHORAGE
 HEAD AND SILL SIMILAR FOR FIN INSTALLATION



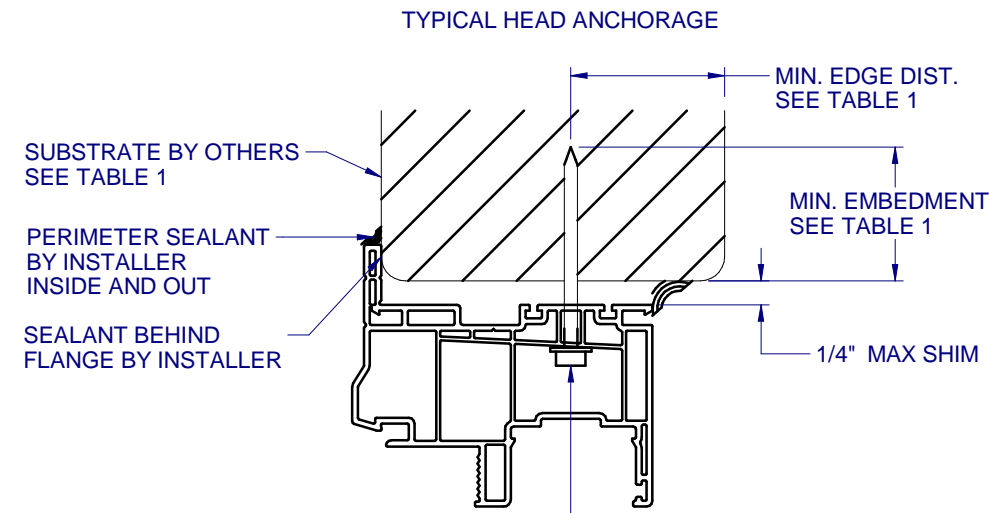
E HORIZONTAL SECTION
 6 TYPICAL FIN ANCHORAGE
 HEAD AND SILL SIMILAR FOR FIN INSTALLATION



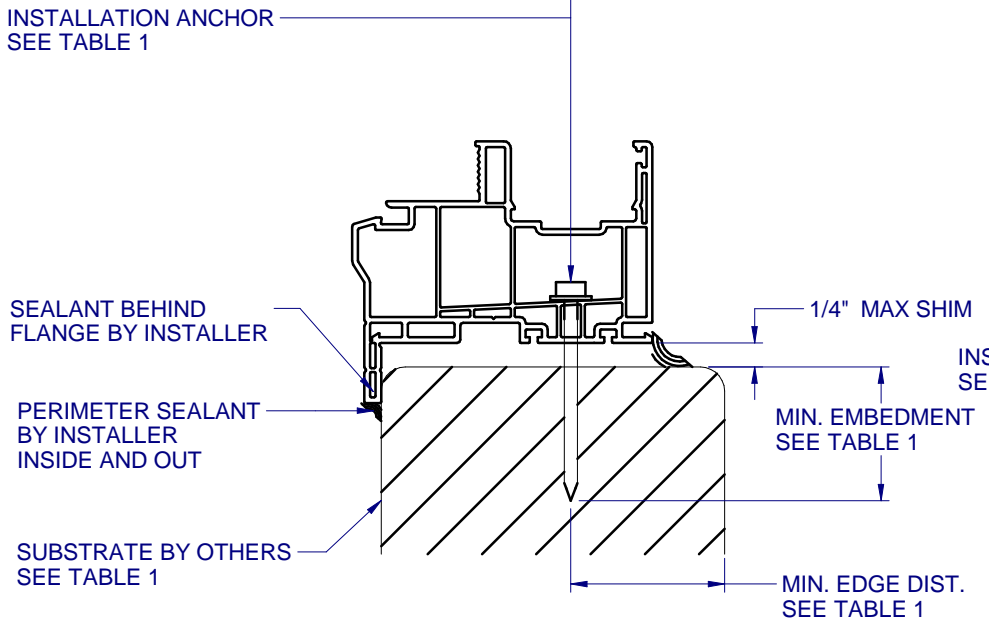
B HORIZONTAL SECTION
 6 TYPICAL JAMB ANCHORAGE



D HORIZONTAL SECTION
 6 BOX FRAME INSTALLATION
 HEAD AND SILL SIMILAR FOR BOX INSTALLATION



A VERTICAL SECTION
 6 TYPICAL SILL ANCHORAGE



| FRAME TYPE | SUBSTRATE TYPE | ANCHOR TYPE | MIN. EMBEDMENT | MIN. EDGE DIST. |
|------------|--|---|----------------------------|-----------------|
| FLANGE | CONCRETE (2.0 KSI MIN.) | 3/16" ITW TAPCON | 1-1/2" | 1-1/8" |
| FLANGE | HOLLOW OR GROUT-FILLED CMU (117 PCF MIN.) | 3/16" ITW TAPCON | 1" | 2" |
| FLANGE | CONCRETE (3.05 KSI MIN.) | 3/16" DEWALT ULTRACON+ | 1-3/4" | 1" |
| FLANGE | HOLLOW OR GROUT-FILLED CMU (ASTM C-90) | 3/16" DEWALT ULTRACON+ | 1-1/4" | 2-1/2" |
| FLANGE | 2X MIN. SOUTHERN PINE (G=0.55) | 3/16" ITW TAPCON OR DEWALT ULTRACON+ | 1-3/8" | 7/8" |
| FLANGE | 2X MIN. SOUTHERN PINE (G=0.55) | #10 WOOD SCREW | 1-3/8" | 7/8" |
| FLANGE | 16 GAUGE (0.060") MIN. STEEL STUD (33 KSI YIELD MIN) | #10-16 HILTI KWIK-FLEX OR ITW TEKS SELF-DRILLING SCREW | FULL THREAD THRU 0.060" | 7/16" |
| FLANGE | 1/8" ALUM. (6063-T5 MIN.) OR 1/8" STEEL (33 KSI MIN.) | #10 GRADE 5 SELF-TAPPING / DRILLING SCREW | FULL THREAD THRU 0.125" | 7/16" |
| FIN | 2X MIN. SOUTHERN PINE (G=0.55) | #8 WOOD SCREW | 1-1/2" | 1/2" |

FLANGE REMOVAL NOTE: PARTIALLY OR FULLY REMOVING THE FLANGE,
 UP TO AND INCLUDING A BOX-FRAME APPLICATION IS ACCEPTABLE PROVIDED:

- MIN. 1/4" FILLET OF CONSTRUCTION-GRADE ADHESIVE CAULK IS APPLIED INSIDE AND OUT, FULL PERIMETER, BY INSTALLER.
- PRODUCT ANCHORAGE IS IN ACCORDANCE WITH REQUIREMENTS AS SHOWN FOR FLANGE WINDOWS.