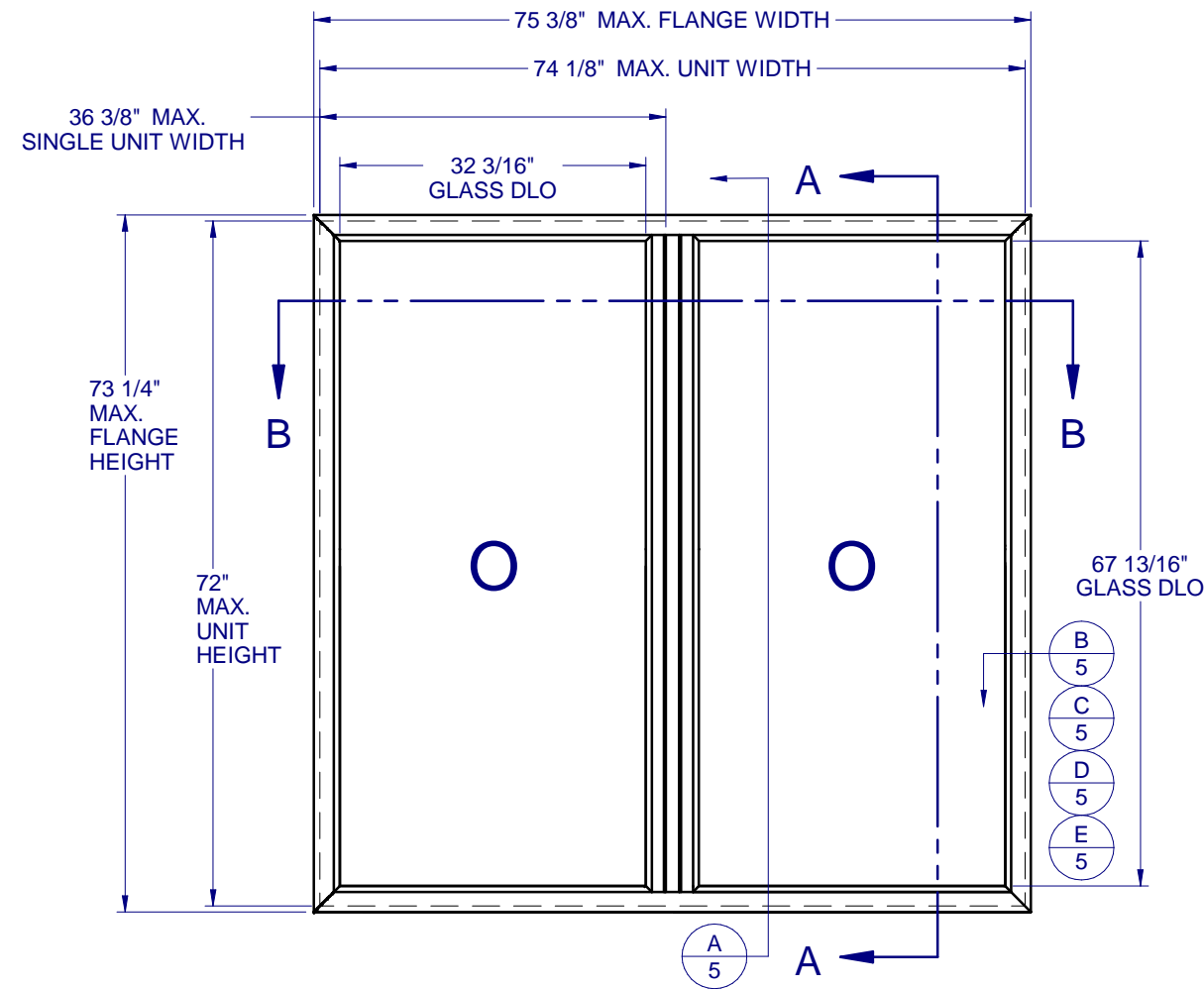


PICTURE WINDOW - LARGE MISSILE IMPACT



GENERAL NOTES:

1. THE PRODUCT SHOWN HEREIN IS DESIGNED AND MANUFACTURED TO COMPLY WITH THE FLORIDA BUILDING CODE (FBC), CURRENT EDITION INCLUDING THE HIGH VELOCITY HURRICANE ZONE (HVHZ) AND IS RATED FOR WIND ZONE 4 MISSILE LEVEL D IMPACT USE AS DEFINED IN ASTM E 1996 PER THE FBC.
2. GLAZING OPTIONS: (SEE SHEET 2)
3. CONFIGURATIONS: "O/O".
4. DESIGN PRESSURE RATING:
 - NEGATIVE DESIGN LOADS BASED ON, TESTED PRESSURE AND GLASS TABLES ASTM E-1300-04e01/09.
 - POSITIVE DESIGN LOADS BASED ON, TESTED PRESSURE, WATER INFILTRATION TEST PRESSURE AND GLASS TABLES ASTM E-1300-04e01/09.
5. ANCHORAGE: THE 33 1/3% STRESS INCREASE HAS NOT BEEN USED IN THE DESIGN OF THIS PRODUCT. SEE SHEET 5 FOR ANCHOR DETAILS. WINDLOAD DURATION FACTOR Cd=1.6 WAS USED FOR WOOD ANCHOR CALCULATIONS.
6. PRODUCT APPROVED FOR IMPACT RESISTANCE. SHUTTERS ARE NOT REQUIRED.
7. ALL FRAMES FULLY WELDED. SMALL JOINT SEAM SEALANT USED AT INTERNAL MULL.
8. SERIES / MODEL DESIGNATION PW-8150 CONTINUOUS FRAME.
9. THE DESIGNATION X AND O STAND FOR THE FOLLOWING:
O = FIXED SASH
10. SECTION CALLOUTS APPLY TO ALL ELEVATIONS IN A SIMILAR LOCATION.



**515 PVC
FIXED WINDOW
IMPACT**

PROPRIETARY AND CONFIDENTIAL
THE INFORMATION CONTAINED IN THIS DRAWING IS THE SOLE PROPERTY OF CUSTOM WINDOW SYSTEMS, INC. ANY REPRODUCTION IN PART OR AS A WHOLE WITHOUT THE WRITTEN PERMISSION OF CUSTOM WINDOW SYSTEMS, INC IS PROHIBITED.

FLORIDA APPROVAL NO.:
33563



8/15/2023

LUCAS A. TURNER, P.E.
FL PE # 58201
Turner Engineering & Consulting, Inc.
2428 Old Natchez Trc Trl
Camden, TN 38320
PH. 941-380-1574

SHEET DESCRIPTION:
GENERAL NOTES AND ELEVATIONS

| | |
|-------------------|-------------------|
| DRAWN BY: MCS | DATE: 8/9/2023 |
| DWG #: PEL-510 | REV.: A |
| SCALE: 1:20 | SHEET 1 OF 5 |

TABLE OF CONTENTS

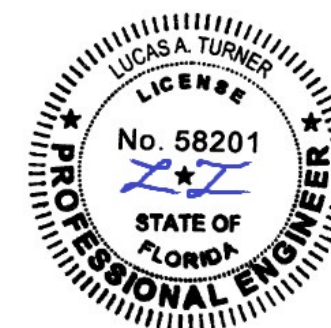
- GENERAL NOTES & ELEVATIONS.....1
- SECTION VIEWS & GLAZING DETAIL...2
- DP CHART, BOM & EXTRUSIONS.....3
- ANCHOR SCHEDULE & NOTES.....4
- INSTALLATION DETAILS.....5

| LOCATION | MAX. UNIT SIZE | DESIGN PRESSURE RATING | IMPACT RATING |
|----------|----------------|------------------------|----------------------|
| NON-HVHZ | 74-1/8" x 72" | +/- 65 PSF | LARGE MISSILE IMPACT |
| HVHZ | | +/- 67.5 PSF | |

**515 PVC
 FIXED WINDOW
 IMPACT**

PROPRIETARY AND CONFIDENTIAL
 THE INFORMATION CONTAINED IN
 THIS DRAWING IS THE SOLE
 PROPERTY OF CUSTOM WINDOW
 SYSTEMS, INC. ANY
 REPRODUCTION IN PART OR AS A
 WHOLE WITHOUT THE WRITTEN
 PERMISSION OF CUSTOM WINDOW
 SYSTEMS, INC IS PROHIBITED.

FLORIDA APPROVAL NO.:
 33563

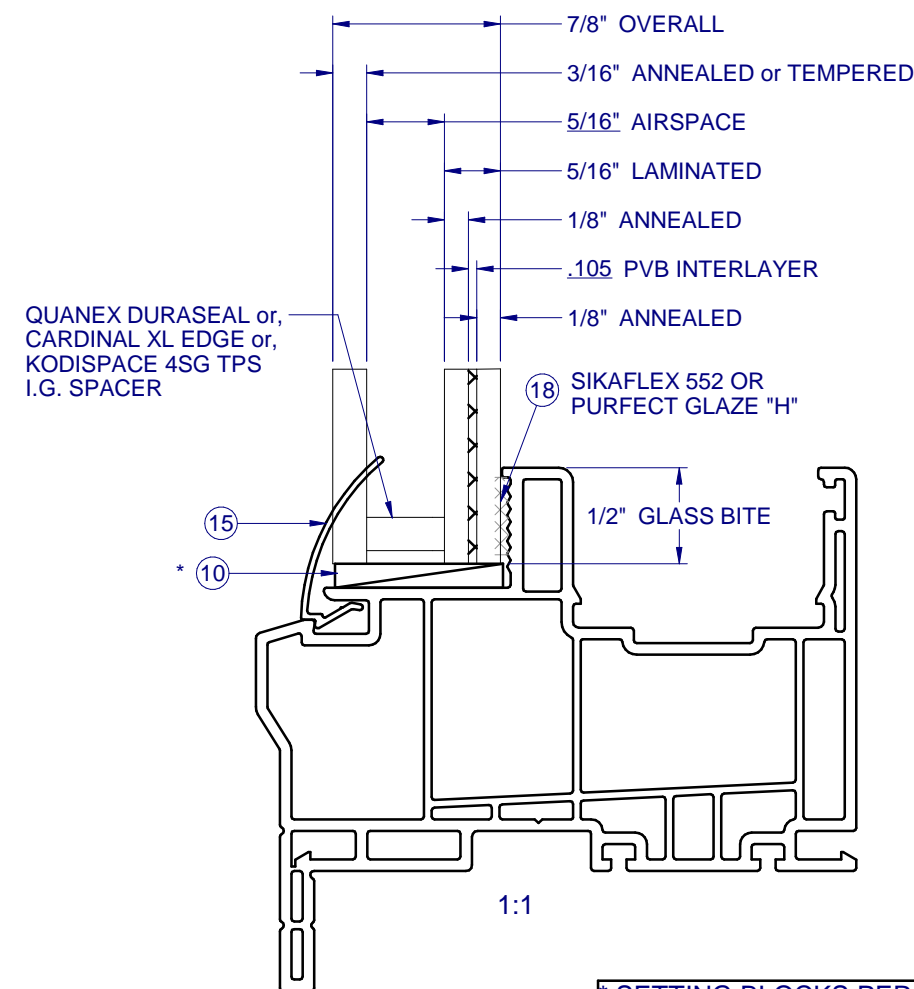
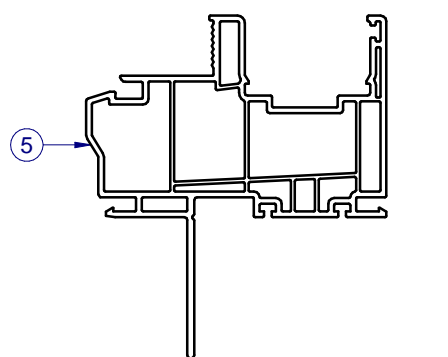
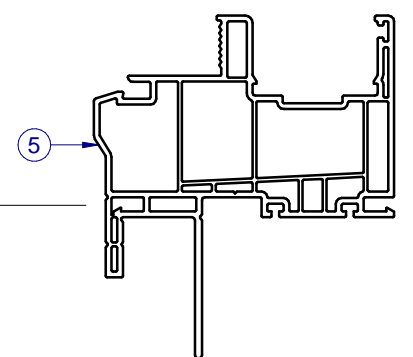
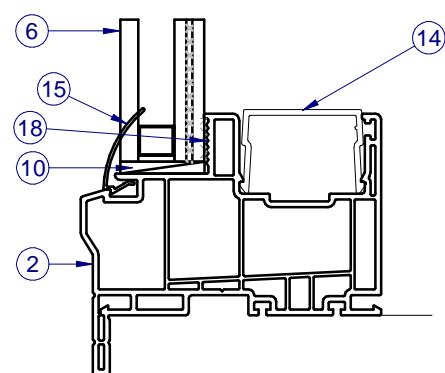
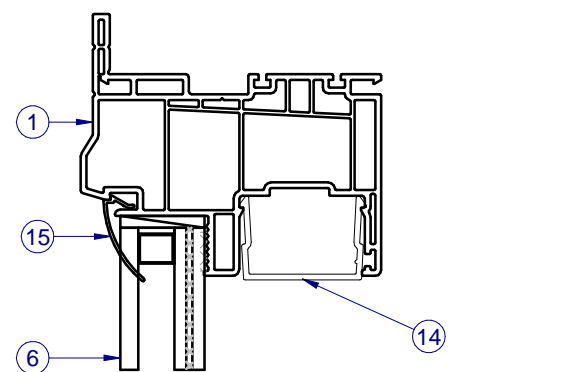
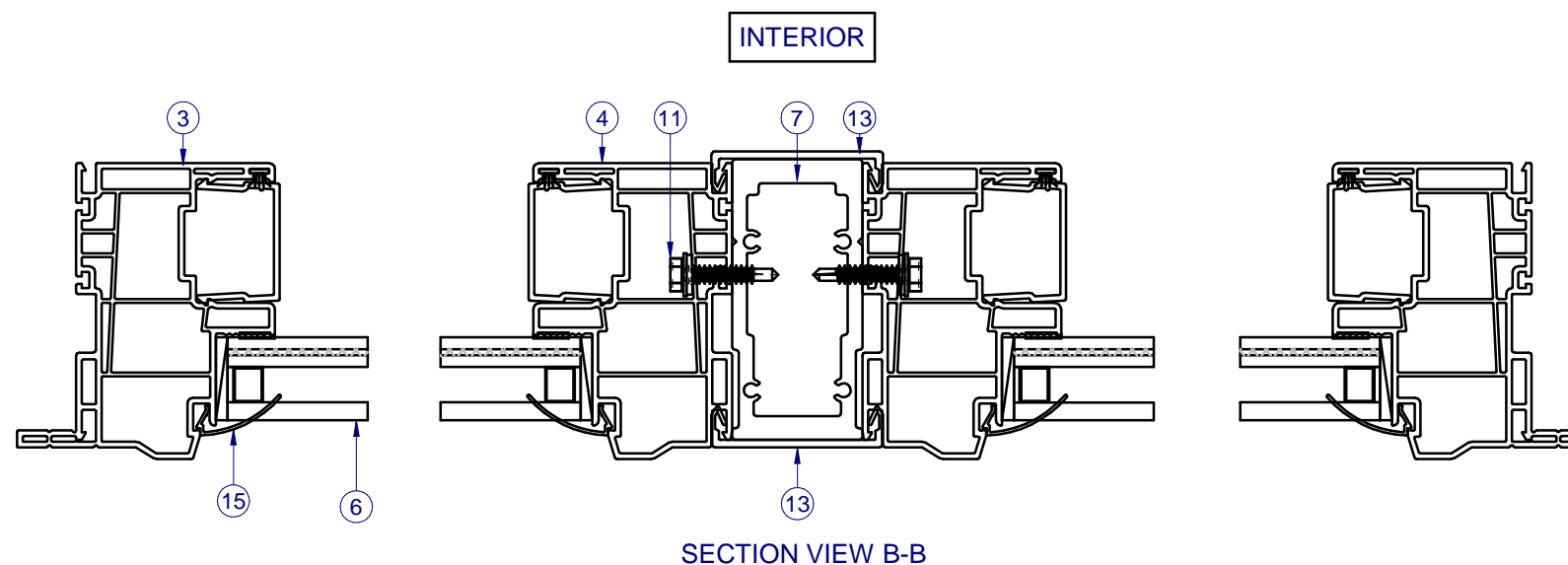


8/15/2023

LUCAS A. TURNER, P.E.
 FL PE # 58201
 Turner Engineering &
 Consulting, Inc.
 2428 Old Natchez Trc Trl
 Camden, TN 38320
 PH. 941-380-1574

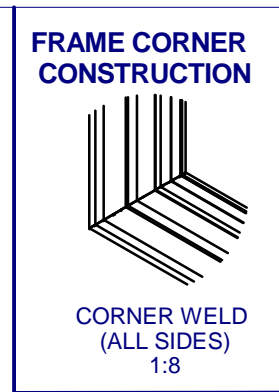
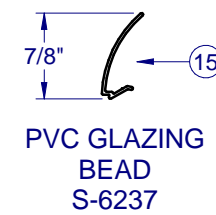
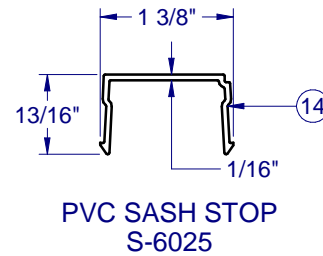
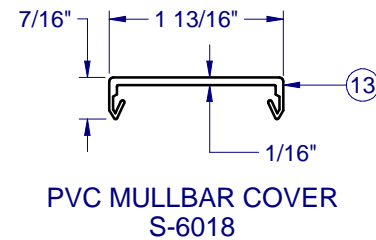
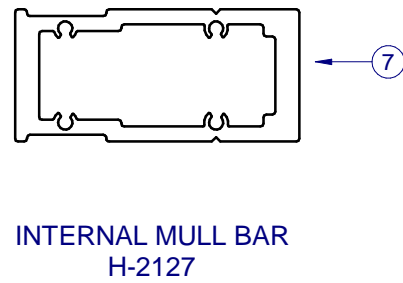
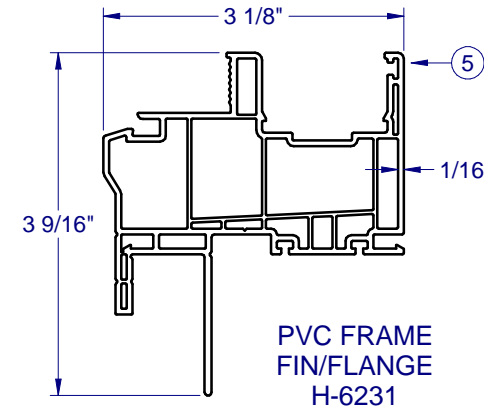
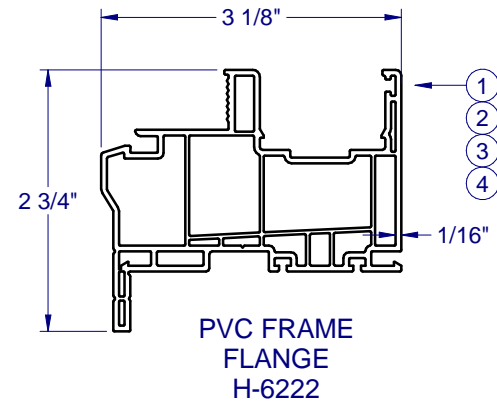
SHEET DESCRIPTION:
**SECTION VIEWS AND
 GLAZING DETAIL**

| | |
|-------------------|-------------------|
| DRAWN BY: MCS | DATE: 8/9/2023 |
| DWG #: PEL-510 | REV.: A |
| SCALE: 1:2 | SHEET 2 OF 5 |



* SETTING BLOCKS PER FBC 2411.3.3.1

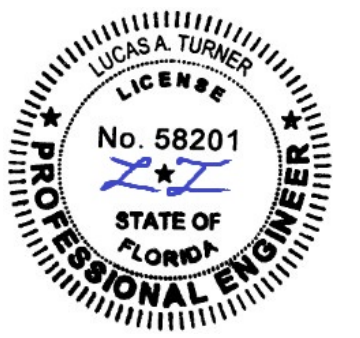
| PARTS LIST | | | |
|------------|--------|-------------------------------------|----------|
| ITEM | PART # | DESCRIPTION | MATERIAL |
| 1 | H-6222 | Frame Head, Flg, | PVC |
| 2 | H-6222 | Frame Sill, Flg, | PVC |
| 3 | H-6222 | Frame Jamb, Flg, | PVC |
| 4 | H-6222 | Internal Fr., Jb. | PVC |
| 5 | H-6231 | Frame, Fin | PVC |
| 6 | GLASS | SEE SHEET 2 | |
| 7 | H-2127 | Internal Mullbar | Alum |
| 9 | P-3342 | Seam Sealer, SM-5504 | |
| 10 | P-5612 | Setting Block, .12 x 1 x 2 | Rubber |
| 11 | P-4969 | #10 x 2 Quad Rd. Washer Screw | Steel |
| 12 | P-4638 | #8 x 2 1/2 Ph Modified Truss Type A | Steel |
| 13 | S-6018 | Mullbar Cover | PVC |
| 14 | S-6025 | Sash Stop / Filler | PVC |
| 15 | S-6237 | Glazing Bead | PVC |
| 16 | | #10 x 1 1/2" Panhead SMS | Steel |
| 17 | | Flat Washer | Steel |
| 18 | | SikaFlex 552 or Purfect Glaze "H" | |



515 PVC FIXED WINDOW IMPACT

PROPRIETARY AND CONFIDENTIAL
THE INFORMATION CONTAINED IN THIS DRAWING IS THE SOLE PROPERTY OF CUSTOM WINDOW SYSTEMS, INC. ANY REPRODUCTION IN PART OR AS A WHOLE WITHOUT THE WRITTEN PERMISSION OF CUSTOM WINDOW SYSTEMS, INC IS PROHIBITED.

FLORIDA APPROVAL NO.: 33563



8/15/2023
LUCAS A. TURNER, P.E.
FL PE # 58201
Turner Engineering & Consulting, Inc.
2428 Old Natchez Trc Trl
Camden, TN 38320
PH. 941-380-1574

SHEET DESCRIPTION:
DP CHART, BOM AND EXTRUSIONS

| | |
|-------------------|-------------------|
| DRAWN BY: MCS | DATE: 8/9/2023 |
| DWG #: PEL-510 | REV.: A |
| SCALE: 1:2 | SHEET 3 OF 5 |

NOTE: ALL ALUMINUM EXTRUSIONS ARE 6063-T6 UNLESS OTHERWISE NOTED.

**515 PVC
FIXED WINDOW
IMPACT**

PROPRIETARY AND CONFIDENTIAL
THE INFORMATION CONTAINED IN THIS DRAWING IS THE SOLE PROPERTY OF CUSTOM WINDOW SYSTEMS, INC. ANY REPRODUCTION IN PART OR AS A WHOLE WITHOUT THE WRITTEN PERMISSION OF CUSTOM WINDOW SYSTEMS, INC IS PROHIBITED.

FLORIDA APPROVAL NO.:
33563

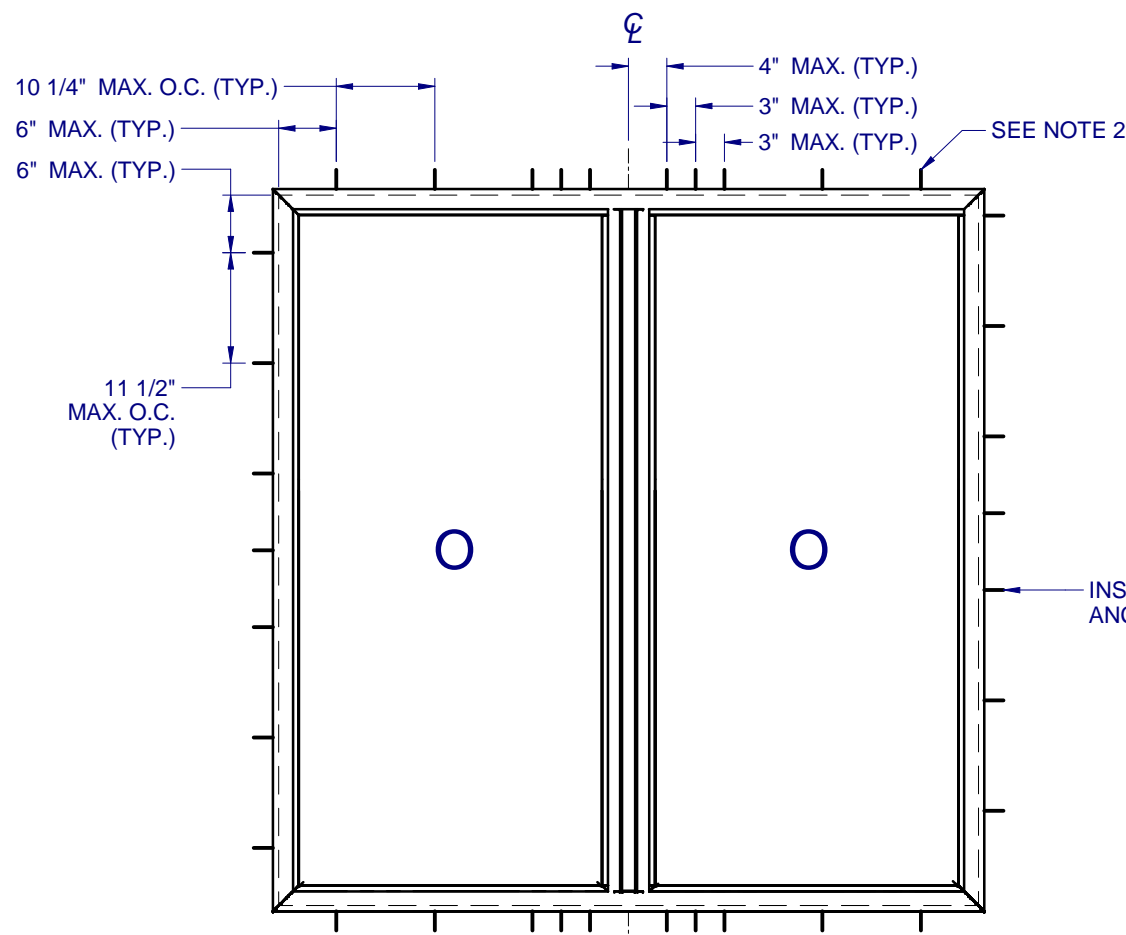


8/15/2023

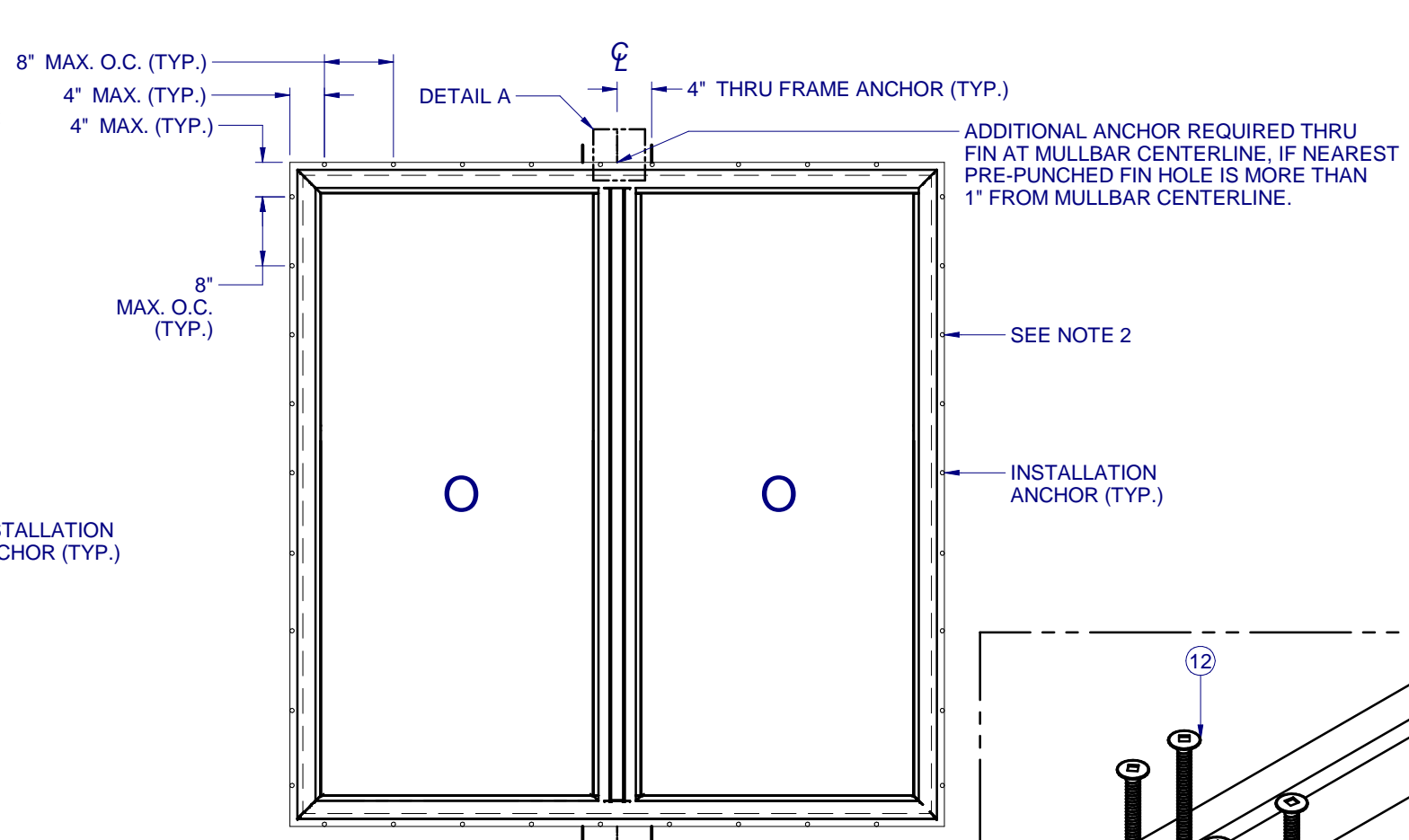
LUCAS A. TURNER, P.E.
FL PE # 58201
Turner Engineering & Consulting, Inc.
2428 Old Natchez Trc Trl
Camden, TN 38320
PH. 941-380-1574

SHEET DESCRIPTION:
ANCHOR SCHEDULE AND NOTES

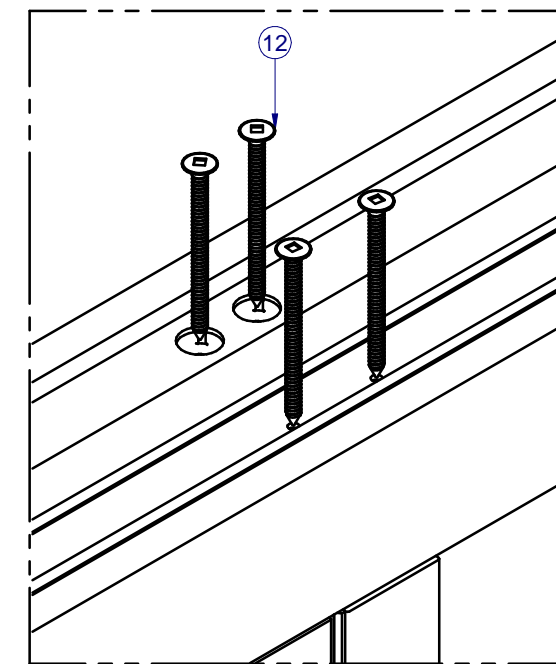
| | |
|-------------------|-------------------|
| DRAWN BY: MCS | DATE: 8/9/2023 |
| DWG #: PEL-510 | REV.: A |
| SCALE: 1:20 | SHEET 4 OF 5 |



ANCHOR LAYOUT - (FLANGE)



ANCHOR LAYOUT - (FIN)



DETAIL A
INTERNAL MULL ATTACHMENT

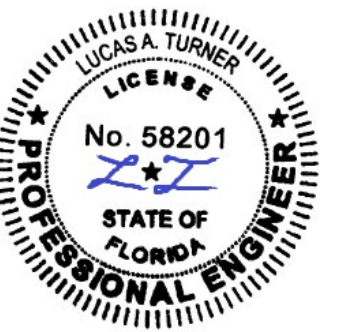
NOTES:

1. INSTALL ONE ANCHOR AT EACH INSTALLATION LOCATION. SILL ANCHOR SPACING SAME AS HEAD. SEAL CORNERS AND INTERNAL MULL WITH SMALL JOINT SEAM SEALANT.
2. SHIM AS REQ AT EACH INSTALLATION ANCHOR USING LOAD BEARING SHIMS. MAX. ALLOWABLE SHIM STACK TO BE 1/4". USE SHIMS WHERE SPACE GREATER THAN 1/16" IS PRESENT. LOAD BEARING SHIMS SHALL BE CONSTRUCTED OF HIGH DENSITY PLASTIC OR BETTER. WOOD SHIMS ARE NOT ALLOWED.
3. ANCHOR TYPE, SIZE, SPACING AND EMBEDMENT SHALL BE AS SPECIFIED IN THESE DRAWINGS, SEE TABLE 1, SHEET 5.
4. ALL INSTALLATION ANCHORS MUST BE MADE OF OR PROTECTED WITH A CORROSION RESISTANT MATERIAL OR COATING. DISSIMILAR METALS OR MATERIALS IN CONTACT WITH PRESSURE TREATED WOOD MUST BE PROTECTED TO PREVENT REACTION.
5. INSTALLATION ANCHORS SHALL BE IN ACCORDANCE WITH ANCHOR MANUFACTURER'S INSTALLATION INSTRUCTIONS, AND ANCHORS SHALL NOT BE USED IN SUBSTRATES WITH STRENGTHS LESS THAN THE MINIMUM SPECIFIED IN TABLE 1, SHEET 5.
6. ANCHOR EMBEDMENT TO SUBSTRATE SHALL BE BEYOND WALL DRESSING OR STUCCO. FOR CONCRETE/CMU OPENINGS, EMBEDMENT SHALL BE BEYOND WOOD BUCKS, IF USED, INTO SUBSTRATE. INSTALLATIONS TO SOLID CONCRETE OR GROUT-FILLED CMU MAY INCLUDE BUT DO NOT REQUIRE 1X WOOD BUCKS BETWEEN THE PRODUCT AND SUBSTRATE. INSTALLATIONS TO HOLLOW CMU REQUIRE THE USE OF 1X BUCKS BETWEEN THE PRODUCT AND SUBSTRATE.
7. A MINIMUM CENTER-TO-CENTER SPACING SHALL BE MAINTAINED BETWEEN ALL FASTENERS: 3" FOR MASONRY, 1" FOR WOOD AND METAL.
8. WOOD OR MASONRY OPENINGS, BUCKS AND BUCK FASTENERS SHALL BE PROPERLY DESIGNED BY THE ARCHITECT OR ENGINEER OF RECORD AND INSTALLED TO TRANSFER WIND LOADS TO THE STRUCTURE. SUBSTRATES SHALL MEET THE MINIMUM STRENGTH REQUIREMENTS AS SHOWN IN TABLE 1, SHEET 5. CONCRETE AND MASONRY SUBSTRATES MAY NOT BE CRACKED.
9. SEALING AND FLASHING STRATEGIES FOR OVERALL WATER RESISTANCE OF INSTALLATION SHALL BE DONE BY OTHERS FOLLOWING THE CURRENT VERSION OF THE REFERENCE DOCUMENTS: FMA/AAMA 100(FIN WINDOWS), FMA/AAMA 200(FLANGE WINDOWS), FMA/WDMA 250(BOX WINDOWS), FMA/AAMA/WDMA 300(EXTERIOR DOORS)

**515 PVC
 FIXED WINDOW
 IMPACT**

PROPRIETARY AND CONFIDENTIAL
 THE INFORMATION CONTAINED IN THIS DRAWING IS THE SOLE PROPERTY OF CUSTOM WINDOW SYSTEMS, INC. ANY REPRODUCTION IN PART OR AS A WHOLE WITHOUT THE WRITTEN PERMISSION OF CUSTOM WINDOW SYSTEMS, INC IS PROHIBITED.

FLORIDA APPROVAL NO.:
 33563



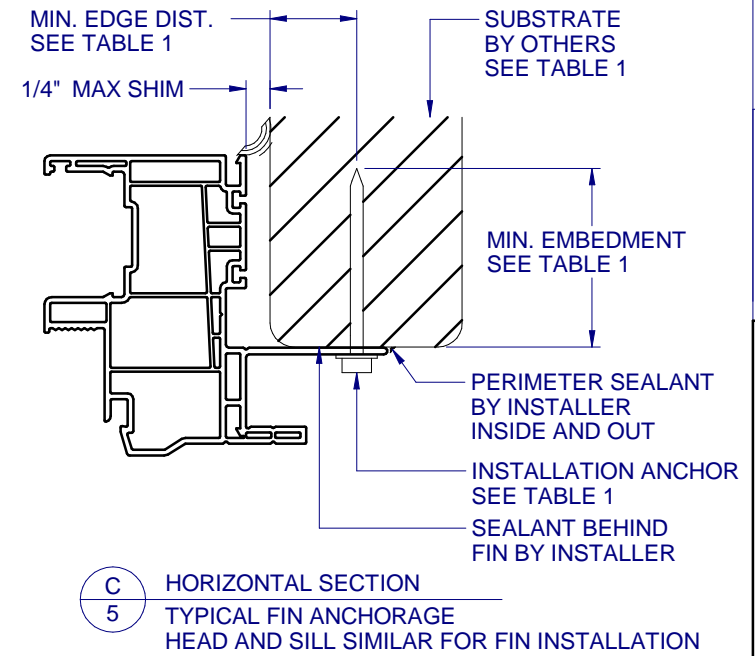
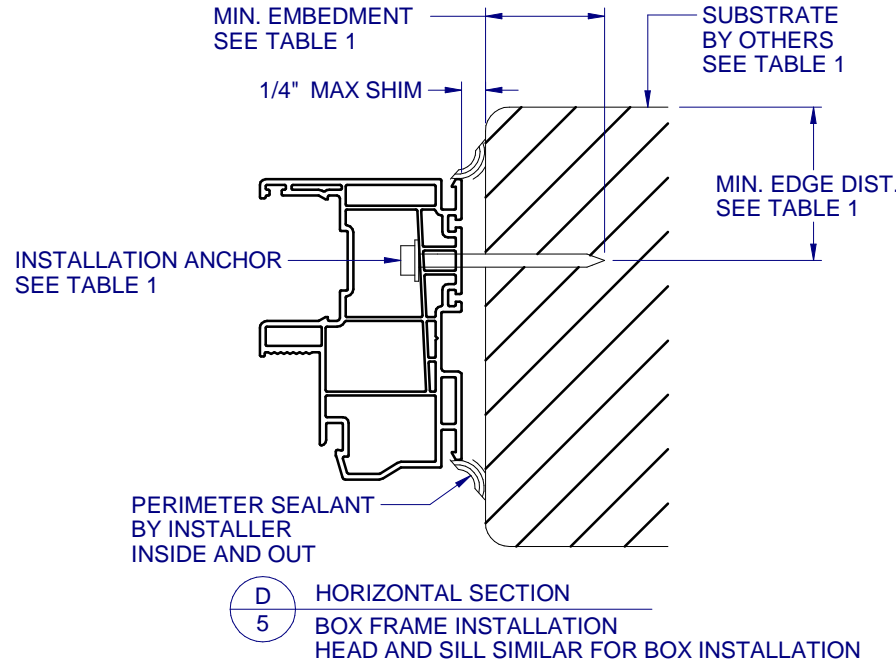
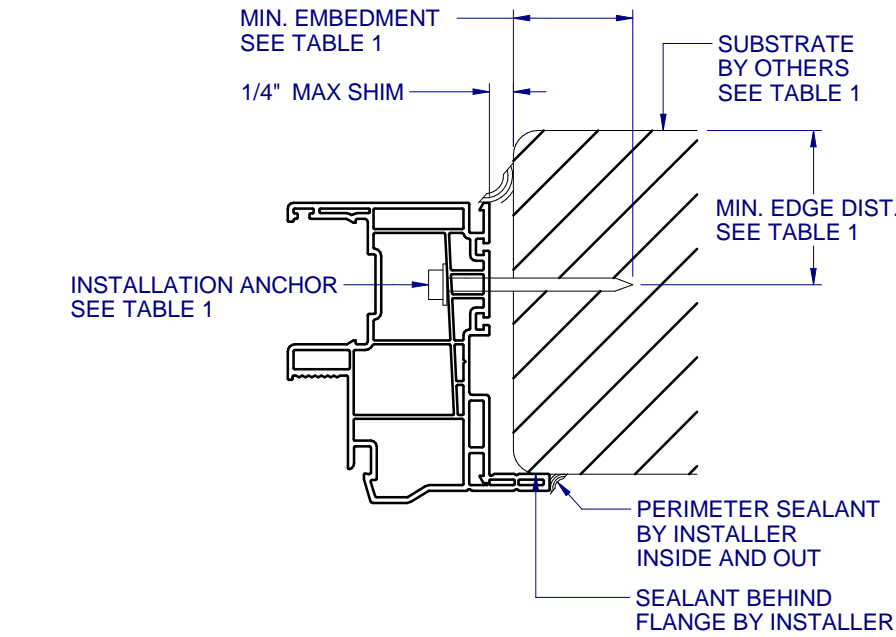
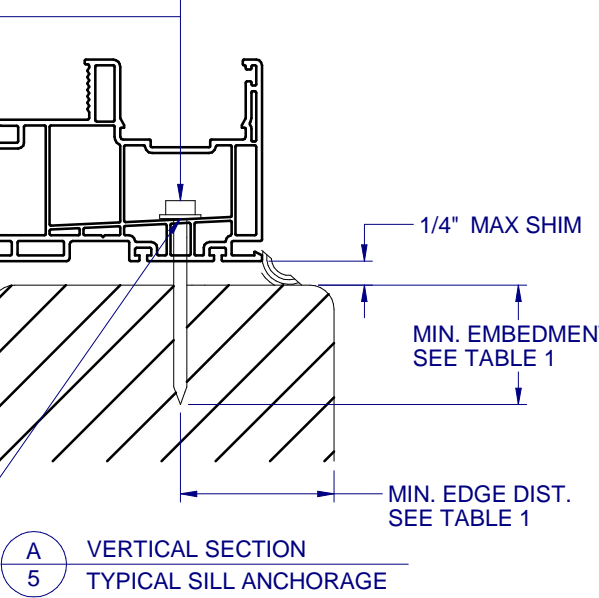
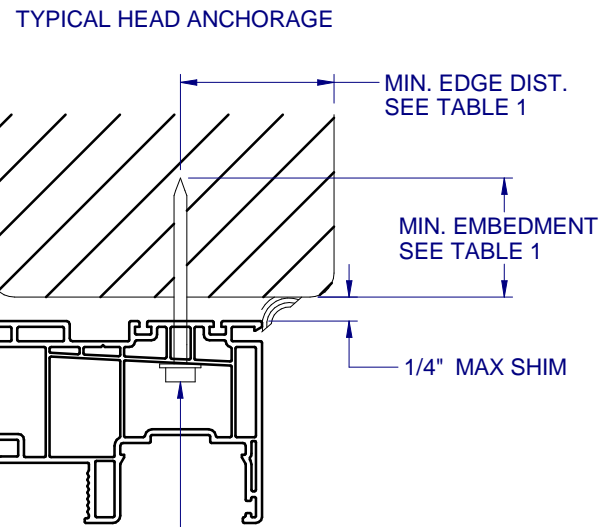
8/15/2023

LUCAS A. TURNER, P.E.
 FL PE # 58201
 Turner Engineering & Consulting, Inc.
 2428 Old Natchez Trc Trl
 Camden, TN 38320
 PH. 941-380-1574

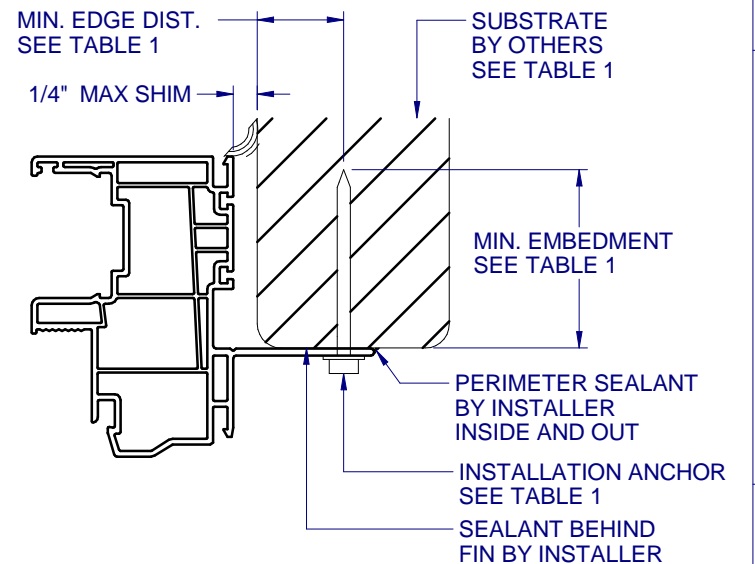
SHEET DESCRIPTION:

INSTALLATION DETAILS

| | |
|-----------|----------|
| DRAWN BY: | DATE: |
| MCS | 8/9/2023 |
| DWG #: | REV.: |
| PEL-510 | A |
| SCALE: | SHEET |
| 1:2 | 5 OF 5 |



NOTE: ADDITIONAL THRU-FRAME ANCHORS (AS SHOWN IN DET. A/5) REQ'D AT HEAD AND SILL AT MULLION, SEE SHEET 4 ANCHOR LAYOUT.



NOTE: ADDITIONAL THRU-FRAME ANCHORS (AS SHOWN IN DET. A/5) REQ'D AT HEAD AND SILL AT MULLION, SEE SHEET 4 ANCHOR LAYOUT.

FLANGE REMOVAL NOTE: PARTIALLY OR FULLY REMOVING THE FLANGE, UP TO AND INCLUDING A BOX-FRAME APPLICATION IS ACCEPTABLE PROVIDED:

- MIN. 1/4" FILLET OF CONSTRUCTION-GRADE ADHESIVE CAULK IS APPLIED INSIDE AND OUT, FULL PERIMETER, BY INSTALLER.
- PRODUCT ANCHORAGE IS IN ACCORDANCE WITH REQUIREMENTS AS SHOWN FOR FLANGE WINDOWS.

TABLE 1: APPROVED INSTALLATION FASTENERS

| FRAME TYPE | SUBSTRATE TYPE | ANCHOR TYPE | MIN. EMBEDMENT | MIN. EDGE DIST. |
|------------|---|--|-------------------------|-----------------|
| FLANGE | CONCRETE (2.0 KSI MIN.) | 3/16" ITW TAPCON | 1-1/2" | 1-1/8" |
| FLANGE | HOLLOW OR GROUT-FILLED CMU (117 PCF MIN.) | 3/16" ITW TAPCON | 1" | 2" |
| FLANGE | CONCRETE (3.05 KSI MIN.) | 3/16" DEWALT ULTRACON+ | 1-3/4" | 1" |
| FLANGE | HOLLOW OR GROUT-FILLED CMU (ASTM C-90) | 3/16" DEWALT ULTRACON+ | 1-1/4" | 2-1/2" |
| FLANGE | 2X MIN. SOUTHERN PINE (G=0.55) | 3/16" ITW TAPCON OR DEWALT ULTRACON+ | 1-3/8" | 7/8" |
| FLANGE | 2X MIN. SOUTHERN PINE (G=0.55) | #10 WOOD SCREW | 1-3/8" | 7/8" |
| FLANGE | 16 GAUGE (0.060") MIN. STEEL STUD (33 KSI YIELD MIN) | #10-16 HILTI KWIK-FLEX OR ITW TEKS SELF-DRILLING SCREW | FULL THREAD THRU 0.060" | 7/16" |
| FLANGE | 1/8" ALUM. (6063-T5 MIN.) OR 1/8" STEEL (33 KSI MIN.) | #10 GRADE 5 SELF-TAPPING / DRILLING SCREW | FULL THREAD THRU 0.125" | 7/16" |
| FIN | 2X MIN. SOUTHERN PINE (G=0.55) | #8 WOOD SCREW | 1-1/2" | 7/16" |