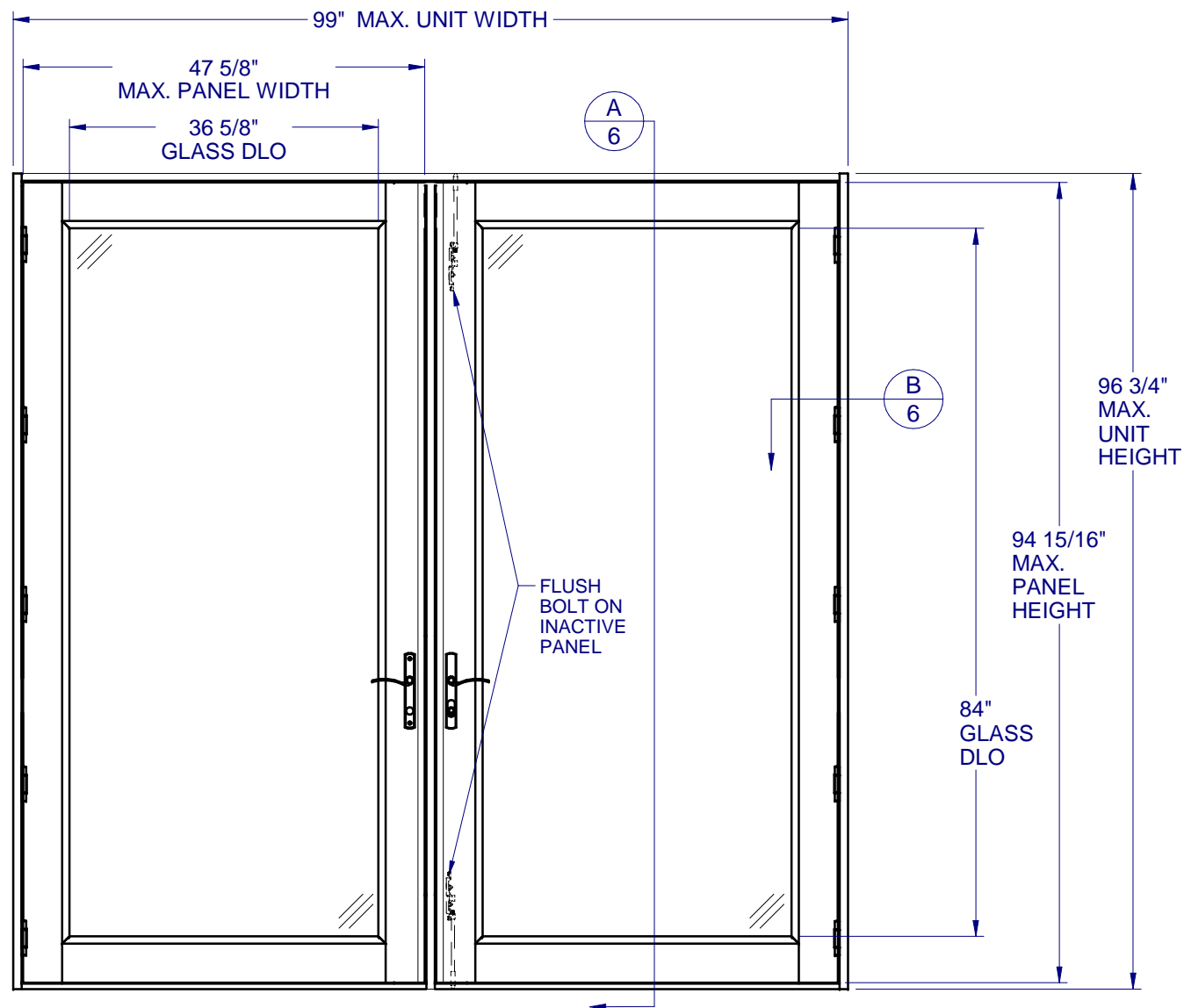


# FRENCH DOOR - IMPACT



## GENERAL NOTES:

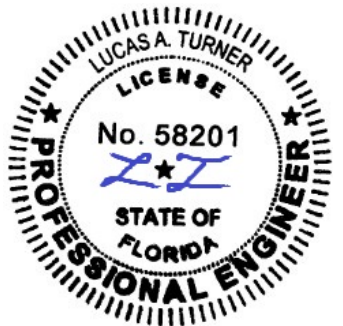
1. THE PRODUCT SHOWN HEREIN IS DESIGNED AND MANUFACTURED TO COMPLY WITH THE FLORIDA BUILDING CODE (FBC), CURRENT EDITION INCLUDING THE HIGH VELOCITY HURRICANE ZONE (HVHZ) AND IS RATED FOR WIND ZONE 4 MISSILE LEVEL D IMPACT USE AS DEFINED IN ASTM E 1996 PER THE FBC.
2. GLAZING DETAIL: (SEE SHEET 2)
3. APPROVED CONFIGURATIONS: FRENCH DOOR
4. LOCK OPTIONS:
  - \* UP TO 6'8": MULTIPOINT(4PT)(HANDLE SET).
  - \* ABOVE 6'8": MULTIPOINT(5PT)(HANDLE SET).
5. DESIGN PRESSURES:
  - NEGATIVE DESIGN LOADS BASED ON TESTED PRESSURE AND GLASS TABLES ASTM E-1300-04e01/09.
  - POSITIVE DESIGN LOADS BASED ON TESTED PRESSURE, WATER INFILTRATION TEST PRESSURE, AND GLASS TABLES ASTM E-1300-04e01/09.
6. ANCHORAGE: THE 33 1/3% STRESS INCREASE HAS NOT BEEN USED IN THE DESIGN OF THIS PRODUCT. SEE SHEET 6 FOR INSTALLATION DETAIL. WIND LOAD DURATION FACTOR Cd=1.6 WAS USED FOR WOOD ANCHOR CALCULATIONS.
7. PRODUCT APPROVED FOR IMPACT RESISTANCE. SHUTTERS ARE NOT RQUIRED.
8. ALL FRAMES ARE PROCESSED AND SCREWED TOGETHER. VENTS ARE PROCESSED ASSEMBLED VIA TIE RODS.
9. SECTION CALLOUTS APPLY TO ALL CONFIGURATIONS.
10. INTERIOR FLUSH BOLTS ON ACTIVE PANEL TO BE ENGAGED DURING SEVERE WEATHER.



## 575 PVC HINGED PATIO DOOR IMPACT

PROPRIETARY AND CONFIDENTIAL  
 THE INFORMATION CONTAINED IN THIS DRAWING IS THE SOLE PROPERTY OF CUSTOM WINDOW SYSTEMS, INC. ANY REPRODUCTION IN PART OR AS A WHOLE WITHOUT THE WRITTEN PERMISSION OF CUSTOM WINDOW SYSTEMS, INC IS PROHIBITED.

FLORIDA APPROVAL NO.:  
33617



10/11/2023

LUCAS A. TURNER, P.E.  
FL PE # 58201  
Turner Engineering & Consulting, Inc.  
2428 Old Natchez Trc Trl  
Camden, TN 38320  
PH. 941-380-1574

SHEET DESCRIPTION:  
GENERAL NOTES AND ELEVATIONS

DRAWN BY: MCS	DATE: 10/16/2023
DWG #: PEL-839	REV.: A
SCALE: 1:20	SHEET 1 OF 6

### TABLE OF CONTENTS

GENERAL NOTES & ELEVATIONS.....	1
SECTION VIEWS & GALZING DETAIL.....	2
BOM.....	3
EXTRUSIONS.....	4
ANCHOR DETAIL & NOTES.....	5
INSTALLATION DETAILS.....	6

DESIGN PRESSURE RATING	IMPACT RATING
+/-60 PSF	LARGE MISSILE IMPACT

**575 PVC  
 HINGED PATIO DOOR  
 IMPACT**

PROPRIETARY AND CONFIDENTIAL  
 THE INFORMATION CONTAINED IN  
 THIS DRAWING IS THE SOLE  
 PROPERTY OF CUSTOM WINDOW  
 SYSTEMS, INC. ANY  
 REPRODUCTION IN PART OR AS A  
 WHOLE WITHOUT THE WRITTEN  
 PERMISSION OF CUSTOM WINDOW  
 SYSTEMS, INC IS PROHIBITED.

FLORIDA APPROVAL NO.:  
 33617

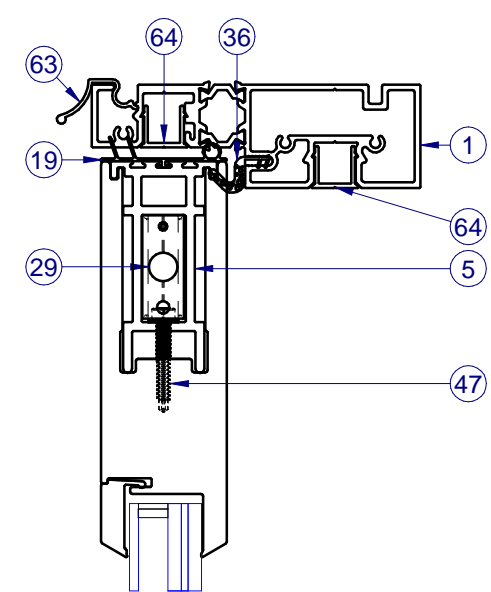
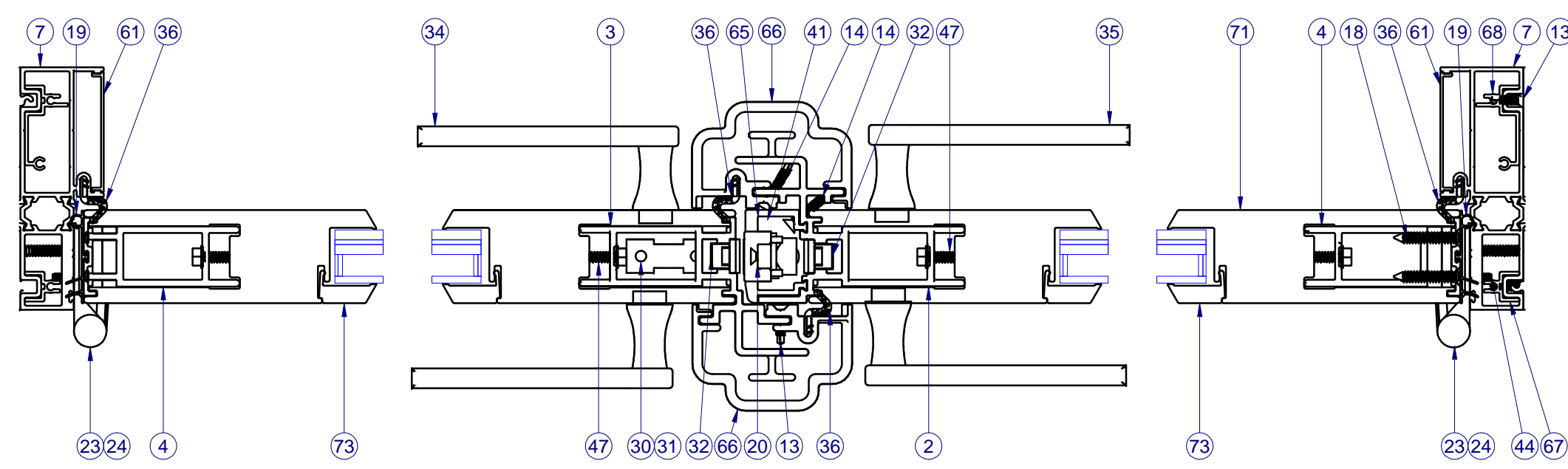


10/11/2023  
 LUCAS A. TURNER, P.E.  
 FL PE # 58201  
 Turner Engineering &  
 Consulting, Inc.  
 2428 Old Natchez Trc Trl  
 Camden, TN 38320  
 PH. 941-380-1574

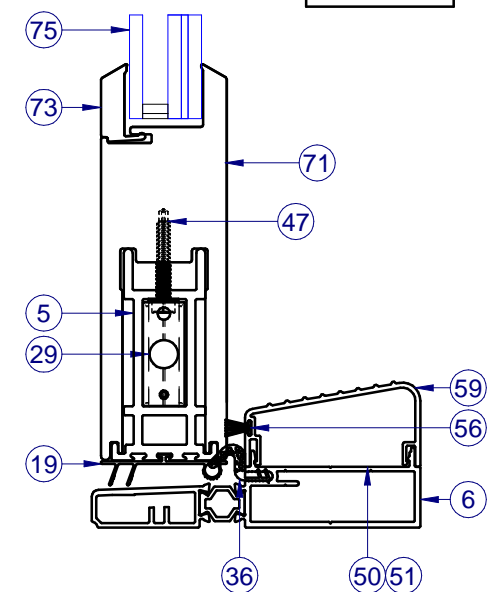
SHEET DESCRIPTION:  
**SECTION VIEWS AND  
 GLAZING DETAIL**

DRAWN BY: <b>MCS</b>	DATE: <b>10/16/2023</b>
DWG #: <b>PEL-839</b>	REV.: <b>A</b>
SCALE: <b>1:2</b>	<b>SHEET 2 OF 6</b>

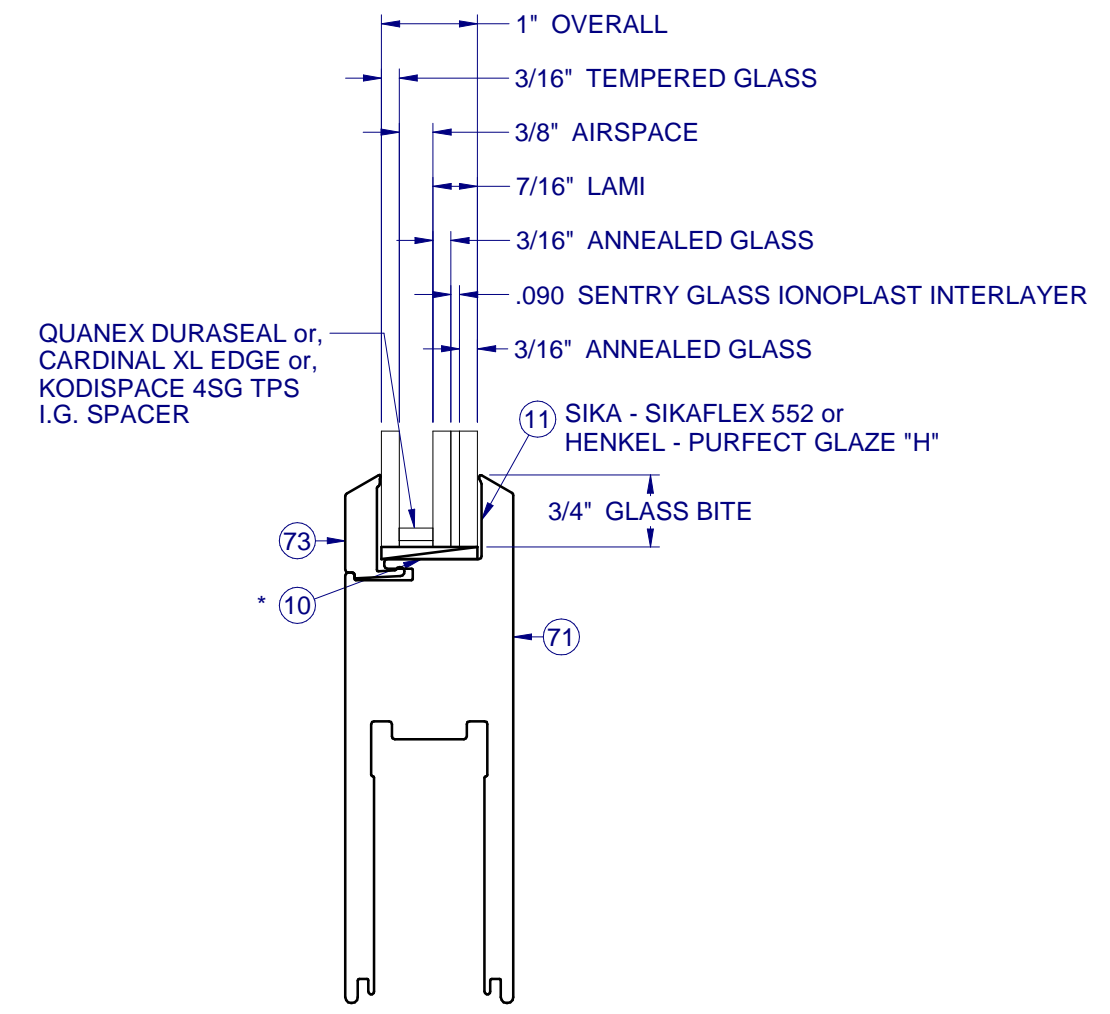
INTERIOR



INTERIOR



ITEMS NOT SHOWN FOR CLARITY:  
 10-12, 17, 22, 26-28, 37-38, 43, 54, 76, 77



1:2

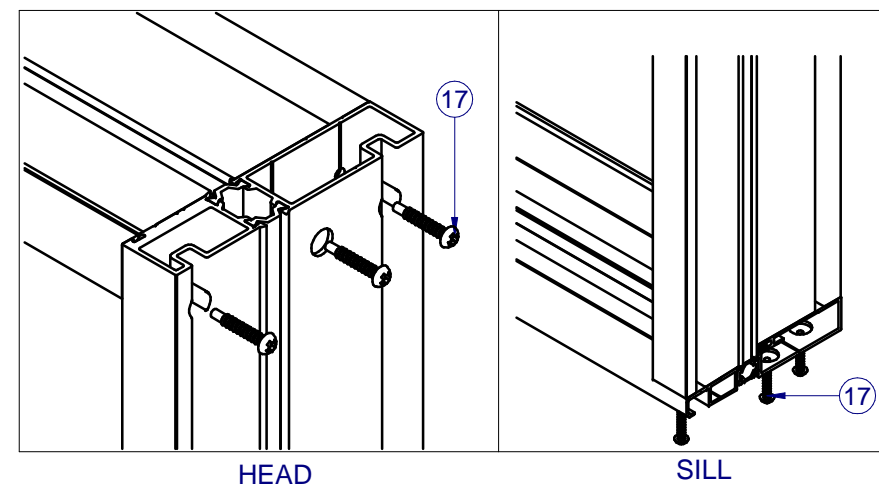
SETTING BLOCKS PER FBC 2411.3.3.1

**PARTS LIST**

ITEM	PART NO.	DESCRIPTION	MATERIAL
1	H-1833	MAIN FRAME, HEAD	ALUM
2	H-1847	ASTRAGAL, INACTIVE, FD, PVC	ALUM
3	H-1846	ASTRAGAL, ACTIVE, FD, PVC	ALUM
4	H-1825	REINFORCEMENT, VERT.	ALUM
5	H-1845	REINFORCEMENT, HORIZ	ALUM
6	H-1928	Threshold, Base, T/B, (FD-8700)	ALUM
7	H-1880	MAINFRAME, JAMB	ALUM
10	P-5531	Setting Block, .09 x 1 x 2	
11		SIKAFLEX 552 or PURFECT GLAZE "H"	
12	P-5221	#8 x 1/2" Phil Truss, SMS, SS (8750 Astragal Cap)	
13	P-3511	SCREW #8 x 5/8" SQ. PAN TEK @ TIEROD BRKT	
14	P-3587	SCREW #8 X 1", PH FLAT TEK @ ASTRAGAL, INSERT, LOCK	
17	P-4144	SCREW #8 X 1", PH PAN SMS @FRAME ASSEM.	
18	P-4522	#10 x 1 1/4", PH FLAT, SMS - HINGE @ PANEL	
19	P-4774B	WSTP, BULB/LEAFS, PANEL	
20	P-4790	FLUSH BOLT, ASSM, TOP/BTM	
22	P-4802	ALL THREADED ROD (TIE ROD)	
23	P-4807	HINGE, GUIDE	
24	P-4808/9	HINGE, SET	
26	P-4863	LOCK STRIKE PLATE	
27	P-4864	RHINO STRIKE PLATE	
28	P-4866A	GUIDE, TIE ROD	NYLON
29	P-5344	BRACKET ASSM, 8700 TIE ROD BRACKET	ZINC
30	P-4885	SHOOT BOLT, TOP	
31	P-4886	SHOOT BOLT, BOTTOM	
32	P-4851	LOCKBAR, INACTIVE, 8 FT	
33	P-4884	LOCKBAR, MULTI-POINT, 5PT, 8 FT	
34	P-4903	HANDLE SET, ACTIVE	
35	P-4905	HANDLE SET, INACTIVE	
36	P-4913	WSTP, .50X.50 FOLDED BULB SEAL, @ DOOR	
37	P-4917	CAP, ASTRAGAL, OUTSIDE	NYLON
38	P-4925	CAP, ASTRAGAL, INSIDE	NYLON
41	P-4889	GUIDE, SHOOT BOLT	NYLON
43	P-4933	NUT, 3/8"-16 FLANGED W/ SERRATED LIP, SS, @ PANEL	
44	P-4934	SCREW, #12-24 X 3/4" Machine Screw (Hinge screw 8700)	
47	P-4969	#10 x 2 Quad Rd. Washer Screw	
49	P-5127	SCREW, #12 X 2", PH PAN, SMS, ANCHOR	
50	P-5130	GASKET, DOOR SILL, FRONT	FOAM
51	P-5131	GASKET, DOOR SILL, BACK	FOAM
54	P-5157	SCREW #10-24 x 1/2", FI Undercut PH, 18-8SS @ KEEPER	
56	P-5172	WSTP, .370 X .187, TRI FIN, BLACK	
57	P-5174	SCREW #8 X 3/4" HEX WASHER HEAD, @ FRAME	
59	S-1783	THRESHOLD, HIGH RISE	ALUM
61	S-1806	COVER, JAMB, ANCHOR	ALUM
63	S-1817	DRIP CAP	ALUM
64	S-1840	COVER, HEAD, ANCHOR	ALUM
65	S-1849	INSERT, INACTIVE PNL, LOCK HARDWARE	

**PARTS LIST CONT.**

ITEM	PART NO.	DESCRIPTION	MATERIAL
66	S-1859	Cover, Astragal, Light Duty, FD	ALUM
67	S-1864	INSERT, FRONT, BTM ATTACH SILL	ALUM
68	S-1865	INSERT, BACK, BTM ATTACH SILL	ALUM
71	S-6083	PANEL, TOP/BTM RAIL, SIDES - DOOR	PVC
73	S-6084	GLAZING BEAD (1")	PVC
75	GLASS	SEE SHEET 2	
76	P-4899	PLATE, FLUSH/SHOOT BOLT, TOP	ALUM
77	P-4900	Guide, Frame Btom, insert	ALUM



**ALL FRAMES ARE MECHANICALLY FASTENED**

**NOTE: ITEMS 8-9, 15-16, 25, 39-40, 42, 45-46, 48, 52-53, 55, 58, 60, 62, 69-70, 72, 74 ARE NOT USED**

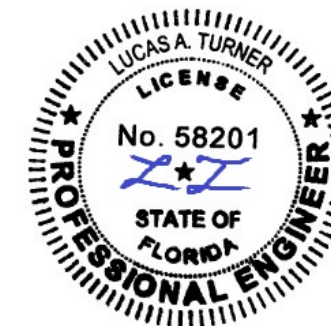


Pella Corporation  
102 Main Street  
Pella, IA 50219  
www.pella.com

**575 PVC  
HINGED PATIO DOOR  
IMPACT**

PROPRIETARY AND CONFIDENTIAL  
THE INFORMATION CONTAINED IN  
THIS DRAWING IS THE SOLE  
PROPERTY OF CUSTOM WINDOW  
SYSTEMS, INC. ANY  
REPRODUCTION IN PART OR AS A  
WHOLE WITHOUT THE WRITTEN  
PERMISSION OF CUSTOM WINDOW  
SYSTEMS, INC IS PROHIBITED.

FLORIDA APPROVAL NO.:  
33617



10/11/2023

LUCAS A. TURNER, P.E.  
FL PE # 58201  
Turner Engineering &  
Consulting, Inc.  
2428 Old Natchez Trc Trl  
Camden, TN 38320  
PH. 941-380-1574

SHEET DESCRIPTION:

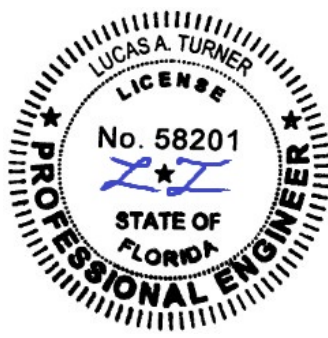
**BOM**

DRAWN BY: <b>MCS</b>	DATE: <b>10/16/2023</b>
DWG #: <b>PEL-839</b>	REV.: <b>A</b>
SCALE: <b>1:1</b>	SHEET <b>3 OF 6</b>

## 575 PVC HINGED PATIO DOOR IMPACT

PROPRIETARY AND CONFIDENTIAL  
THE INFORMATION CONTAINED IN THIS DRAWING IS THE SOLE PROPERTY OF CUSTOM WINDOW SYSTEMS, INC. ANY REPRODUCTION IN PART OR AS A WHOLE WITHOUT THE WRITTEN PERMISSION OF CUSTOM WINDOW SYSTEMS, INC IS PROHIBITED.

FLORIDA APPROVAL NO.:  
33617

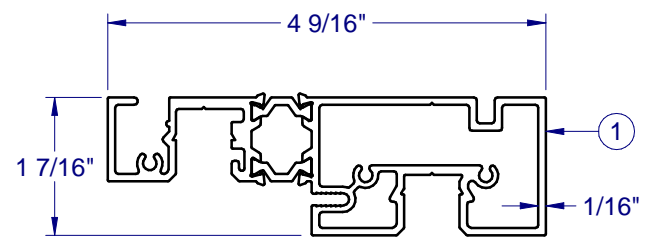


10/11/2023  
LUCAS A. TURNER, P.E.  
FL PE # 58201  
Turner Engineering & Consulting, Inc.  
2428 Old Natchez Trc Trl  
Camden, TN 38320  
PH. 941-380-1574

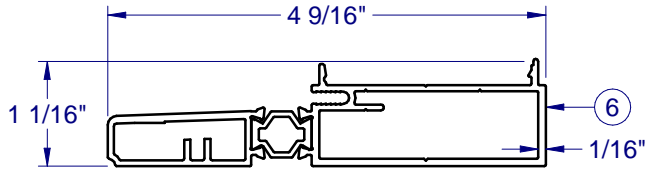
SHEET DESCRIPTION:

### EXTRUSIONS

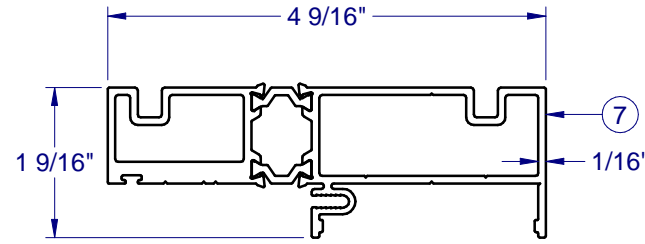
DRAWN BY: MCS	DATE: 10/16/2023
DWG #: PEL-839	REV.: A
SCALE: 1:2	SHEET 4 OF 6



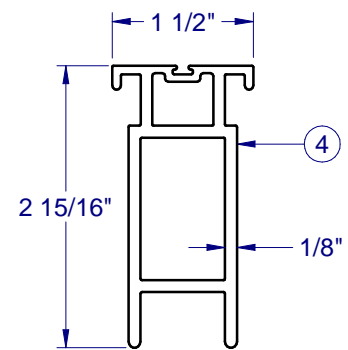
DOOR HEAD - 1833



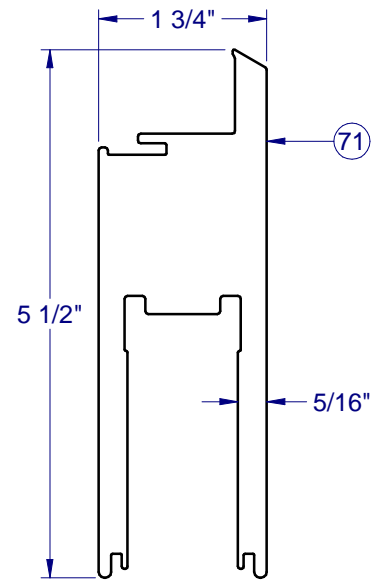
DOOR SILL - 1928



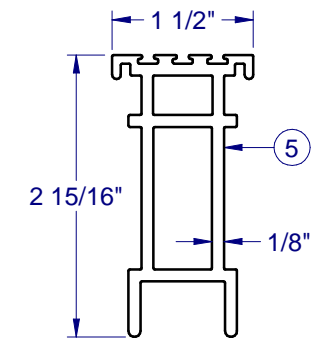
DOOR JAMB - 1880



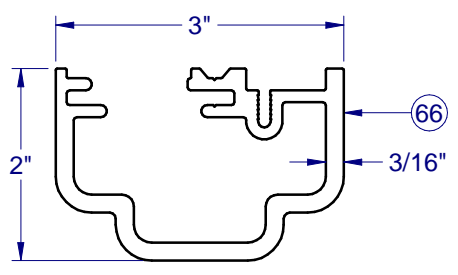
REINF. VERT. - 1825



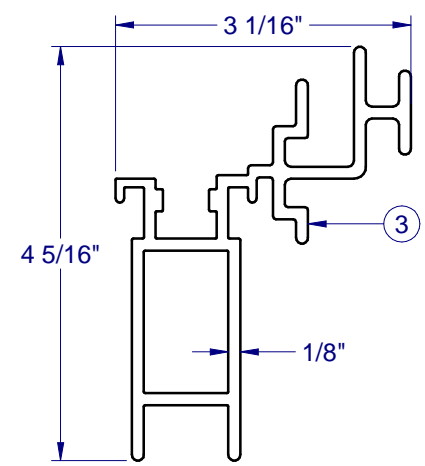
PVC DOOR PANEL - 6083



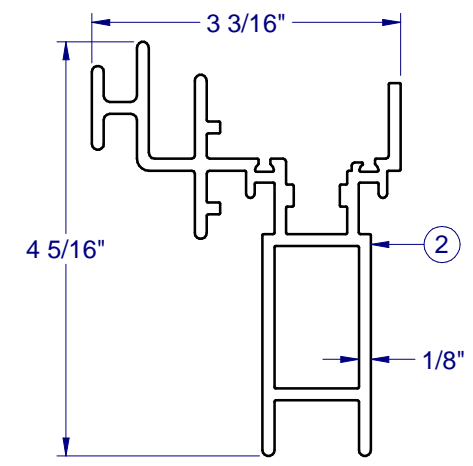
REINF. HORZ. - 1845



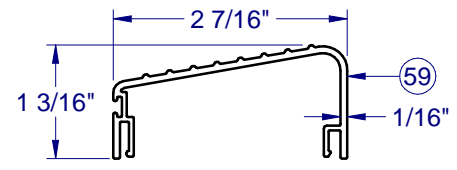
ASTRAGAL COVER - 1859



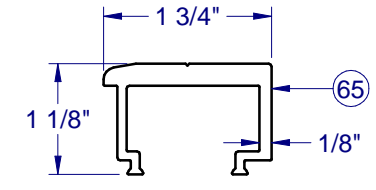
REINF. ACTIVE PANEL - 1846



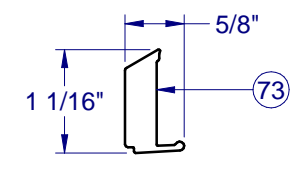
REINF. INACTIVE PANEL - 1847



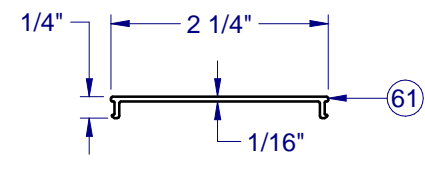
THRESHOLD - 1783



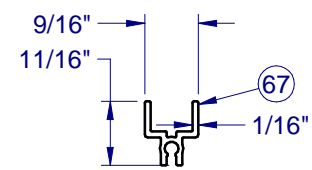
INSERT INACTIVE PNL - 1849



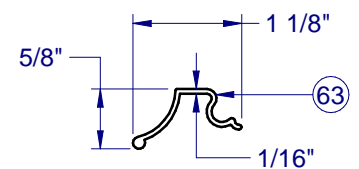
PVC GLAZING BEAD - 6084



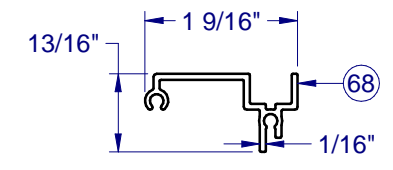
FRAME JAMB COVER - 1806



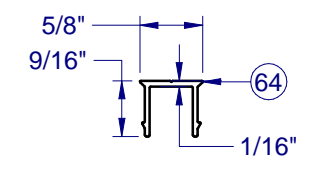
INSERT, FRONT - 1864



DRIP CAP - 1817



INSERT, BACK - 1865



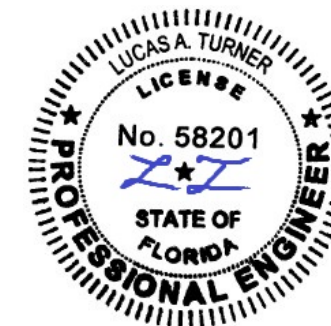
HEAD COVER - 1840

NOTE: ALL ALUMINUM EXTRUSIONS ARE 6063-T6 ALUMINUM.

**575 PVC  
HINGED PATIO DOOR  
IMPACT**

PROPRIETARY AND CONFIDENTIAL  
THE INFORMATION CONTAINED IN  
THIS DRAWING IS THE SOLE  
PROPERTY OF CUSTOM WINDOW  
SYSTEMS, INC. ANY  
REPRODUCTION IN PART OR AS A  
WHOLE WITHOUT THE WRITTEN  
PERMISSION OF CUSTOM WINDOW  
SYSTEMS, INC IS PROHIBITED.

FLORIDA APPROVAL NO.:  
33617

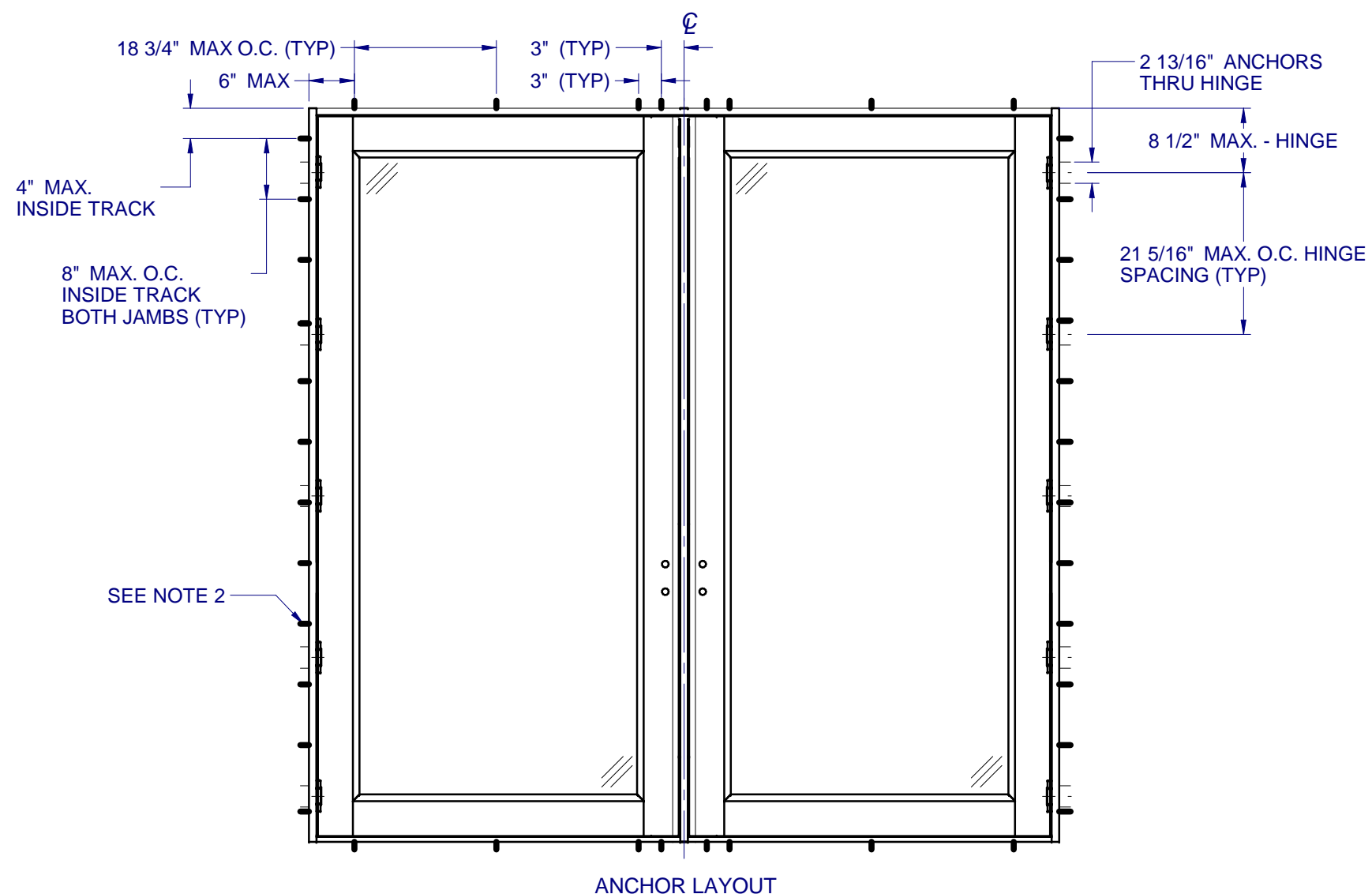


10/11/2023

LUCAS A. TURNER, P.E.  
FL PE # 58201  
Turner Engineering &  
Consulting, Inc.  
2428 Old Natchez Trc Trl  
Camden, TN 38320  
PH. 941-380-1574

SHEET DESCRIPTION:  
**ANCHOR SCHEDULE AND  
NOTES**

DRAWN BY: MCS	DATE: 10/16/2023
DWG #: PEL-839	REV.: A
SCALE: 1:20	SHEET 5 OF 6



**NOTES:**

1. INSTALL ONE ANCHOR AT EACH JAMB LOCATION AND NSTALL TWO ANCHORS AT EACH HEAD & SILL LOCATION, SEE SHEET 6 FOR DETAILS. BOTH INSIDE TRACK ANCHORS AND HINGE ANCHORS ARE REQUIRED ON BOTH JAMBS. SILL ANCHOR SPACING SAME AS HEAD.
2. SHIM AS REQ AT EACH INSTALLATION ANCHOR USING LOAD BEARING SHIMS. MAX. ALLOWABLE SHIM STACK TO BE 1/4". USE SHIMS WHERE SPACE GREATER THAN 1/16" IS PRESENT. LOAD BEARING SHIMS SHALL BE CONSTRUCTED OF HIGH DENSITY PLASTIC OR BETTER. WOOD SHIMS ARE NOT ALLOWED.
3. ANCHOR TYPE, SIZE, SPACING AND EMBEDMENT SHALL BE AS SPECIFIED IN THESE DRAWINGS, SEE TABLE 1, SHEET 6.
4. ALL INSTALLATION ANCHORS MUST BE MADE OF OR PROTECTED WITH A CORROSION RESISTANT MATERIAL OR COATING. DISSIMILAR METALS OR MATERIALS IN CONTACT WITH PRESSURE TREATED WOOD MUST BE PROTECTED TO PREVENT REACTION.
5. INSTALLATION ANCHORS SHALL BE IN ACCORDANCE WITH ANCHOR MANUFACTURER'S INSTALLATION INSTRUCTIONS, AND ANCHORS SHALL NOT BE USED IN SUBSTRATES WITH STRENGTHS LESS THAN THE MINIMUM SPECIFIED IN TABLE 1, SHEET 6.
6. ANCHOR EMBEDMENT TO SUBSTRATE SHALL BE BEYOND WALL DRESSING OR STUCCO. FOR CONCRETE/CMU OPENINGS, EMBEDMENT SHALL BE BEYOND WOOD BUCKS, IF USED, INTO SUBSTRATE. INSTALLATIONS TO SOLID CONCRETE OR GROUT-FILLED CMU MAY INCLUDE BUT DO NOT REQUIRE 1X WOOD BUCKS BETWEEN THE PRODUCT AND THE SUBSTRATE. INSTALLATIONS TO HOLLOW CMU REQUIRE THE USE OF 1X BUCKS BETWEEN THE PRODUCT AND SUBSTRATE.
7. A MINIMUM 2-5/16" CENTER-TO-CENTER SPACING SHALL BE MAINTAINED BETWEEN ALL MASONRY FASTENERS AT THE HEAD AND SILL, 2-7/16" MIN. SHALL BE MAINTAINED AT THE HINGES, 3" MIN. SHALL BE MAINTAINED AT THE JAMBS AND ALL OTHER ANCHORS. A MINIMUM 1" CENTER-TO-CENTER SPACING SHALL BE MAINTAINED BETWEEN ALL WOOD AND METAL FASTENERS.
8. WOOD OR MASONRY OPENINGS, BUCKS AND BUCK FASTENERS SHALL BE PROPERLY DESIGNED BY THE ARCHITECT OR ENGINEER OF RECORD AND INSTALLED TO TRANSFER WIND LOADS TO THE STRUCTURE. SUBSTRATES SHALL MEET THE MINIMUM STRENGTH REQUIREMENTS AS SHOWN IN TABLE1, SHEET 6. CONCRETE AND MASONRY SUBSTRATES MAY NOT BE CRACKED.
9. SEALING AND FLASHING STRATEGIES FOR OVERALL WATER RESISTANCE OF INSTALLATION SHALL BE DONE BY OTHERS FOLLOWING THE CURRENT VERSION OF THE REFERENCE DOCUMENTS: FMA/AAMA 100(FIN WINDOWS), FMA/AAMA 200(FLANGE WINDOWS), FMA/WDMA 250(BOX WINDOWS), FMA/AAMA/WDMA 300(EXTERIOR DOORS)

**575 PVC  
 HINGED PATIO DOOR  
 IMPACT**

PROPRIETARY AND CONFIDENTIAL  
 THE INFORMATION CONTAINED IN  
 THIS DRAWING IS THE SOLE  
 PROPERTY OF CUSTOM WINDOW  
 SYSTEMS, INC. ANY  
 REPRODUCTION IN PART OR AS A  
 WHOLE WITHOUT THE WRITTEN  
 PERMISSION OF CUSTOM WINDOW  
 SYSTEMS, INC IS PROHIBITED.

FLORIDA APPROVAL NO.:  
 33617

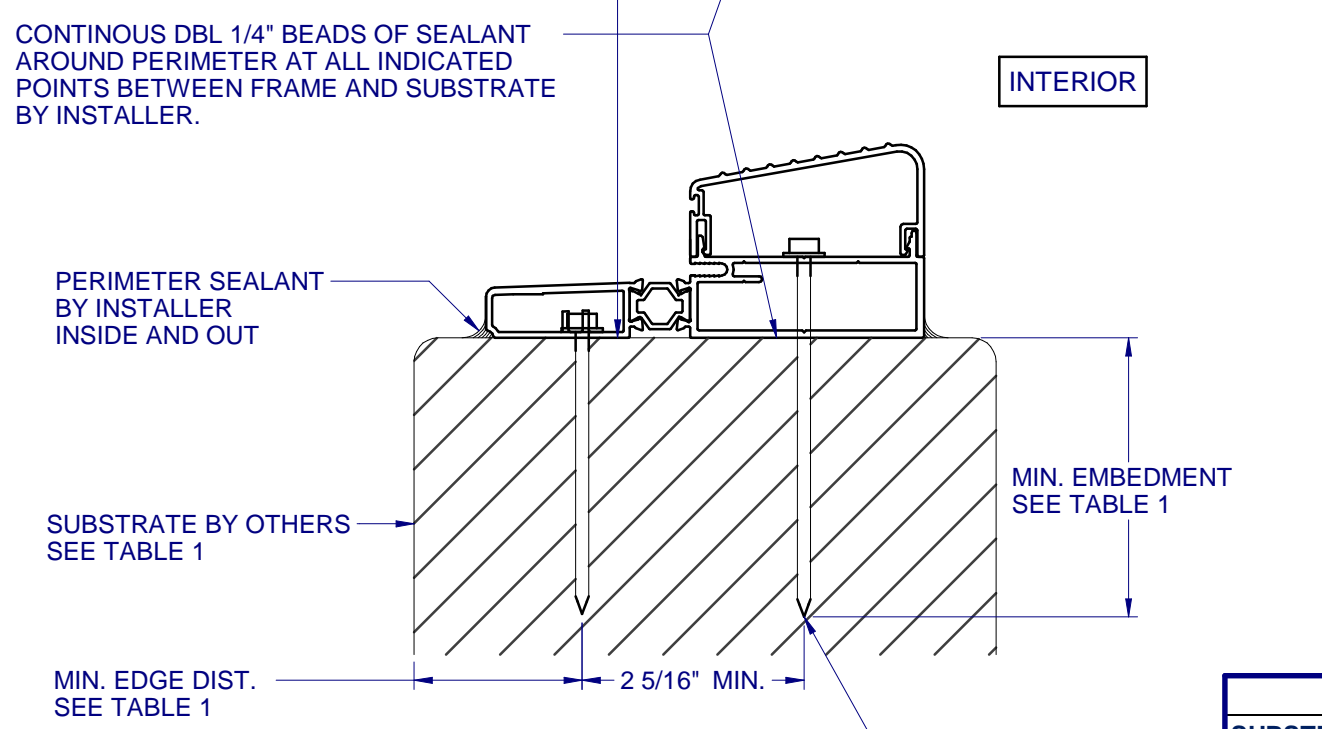
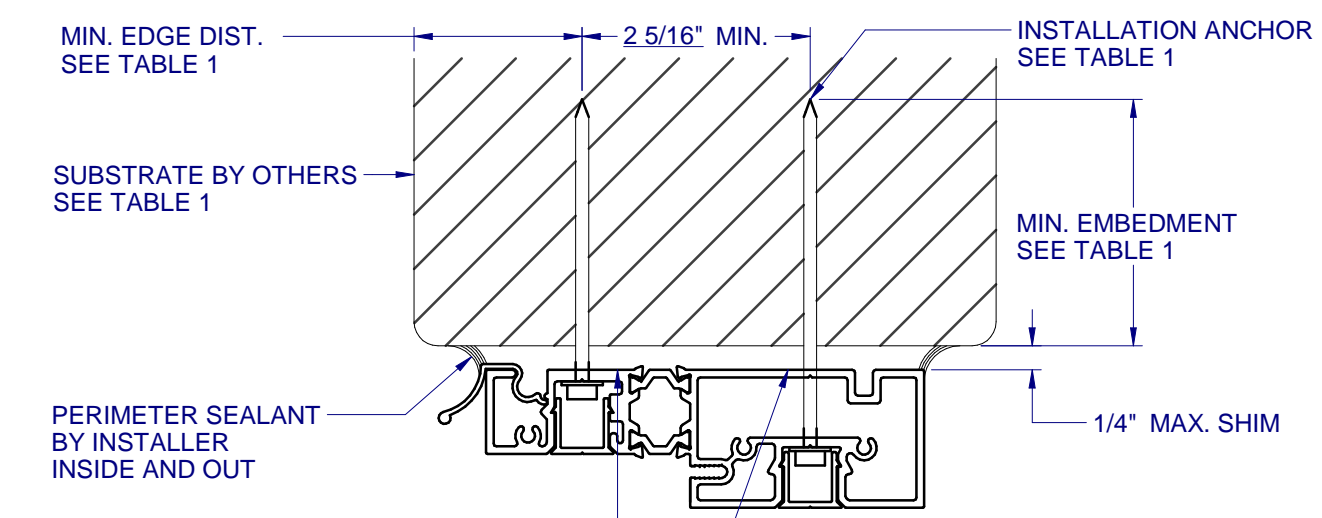


10/11/2023  
 LUCAS A. TURNER, P.E.  
 FL PE # 58201  
 Turner Engineering &  
 Consulting, Inc.  
 2428 Old Natchez Trc Trl  
 Camden, TN 38320  
 PH. 941-380-1574

SHEET DESCRIPTION:  
**INSTALLATION DETAIL**

DRAWN BY:	DATE:
MCS	10/16/2023
DWG #:	REV.:
PEL-839	A
SCALE:	SHEET
1:2	6 OF 6

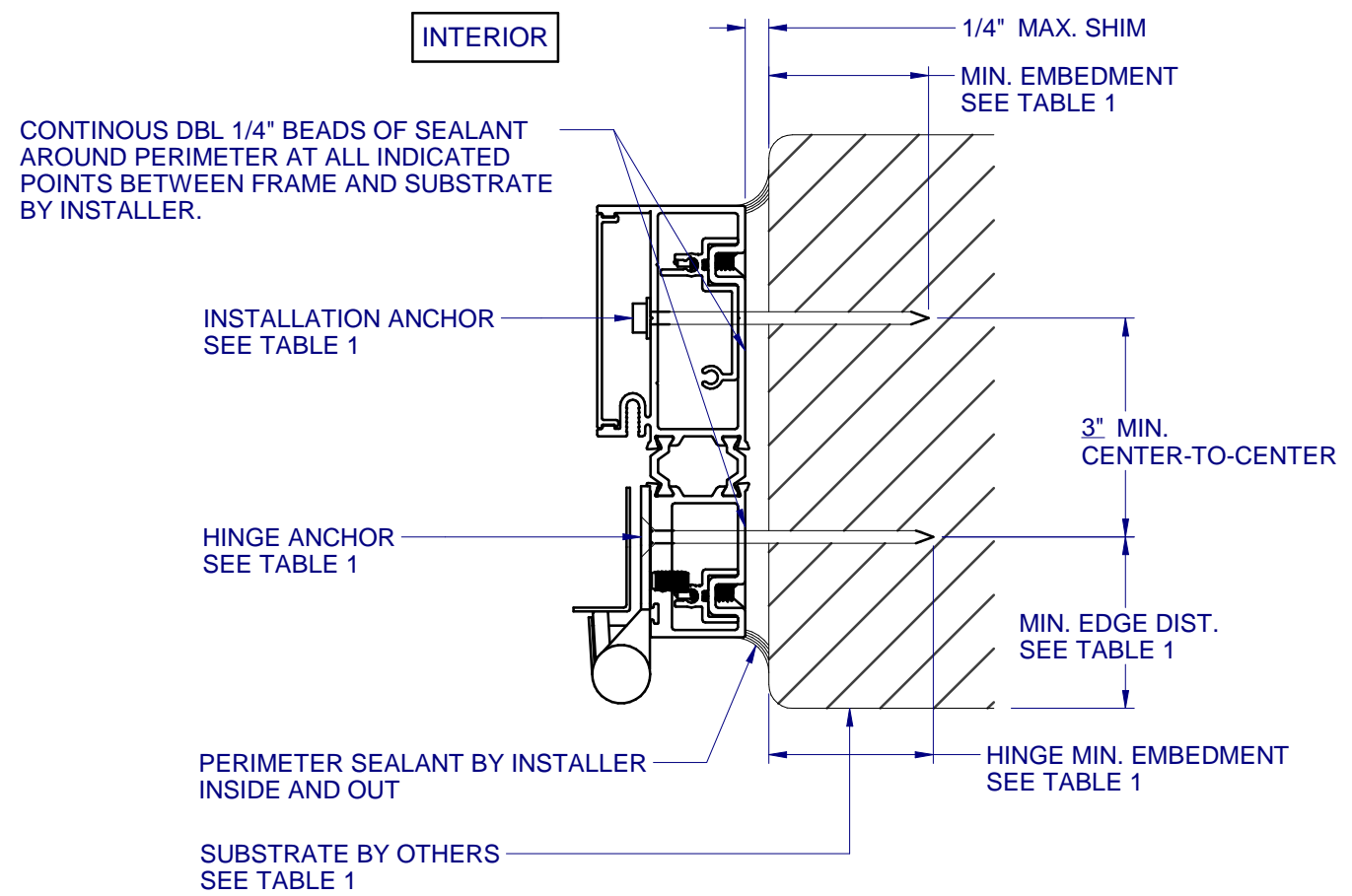
**TYPICAL HEAD ANCHORAGE**



**A** VERTICAL SECTION  
**6** TYPICAL SILL ANCHORAGE

**INTERIOR**

CONTINUOUS DBL 1/4" BEADS OF SEALANT AROUND PERIMETER AT ALL INDICATED POINTS BETWEEN FRAME AND SUBSTRATE BY INSTALLER.



**B** HORIZONTAL SECTION  
**6** TYPICAL JAMB / HINGE ANCHORAGE

**TABLE 1: APPROVED INSTALLATION FASTENERS**

SUBSTRATE TYPE	ANCHOR TYPE	MIN. EMBEDMENT	MIN. EDGE DIST.
CONCRETE (3.05 KSI MIN.)	1/4" DEWALT ULTRACON+	1-3/4"	2-1/2"
HOLLOW OR GROUT-FILLED CMU (ASTM C-90)	1/4" DEWALT ULTRACON+	1-1/4"	2-1/2"
2X MIN. SOUTHERN PINE (G=0.55)	1/4" DEWALT ULTRACON+	1-3/8"	7/8"
2X MIN. SOUTHERN PINE (G=0.55)	#12 WOOD SCREW	1-3/8"	7/8"
16 GAUGE (0.060") MIN. STEEL STUD (33 KSI YIELD MIN)	#12-14 HILTI KWIK-FLEX OR ITW TEKS SELF-DRILLING SCREW	FULL THREAD THRU 0.060"	1/2"
1/8" ALUM. (6063-T5 MIN.) OR 1/8" STEEL (33 KSI MIN.)	#12 GRADE 5 SELF-TAPPING / DRILLING SCREW	FULL THREAD THRU 0.125"	1/2"
HINGE ANCHORS INTO CONCRETE (3.05 KSI MIN.)	3/16" DEWALT ULTRACON+	1-3/4"	2-1/2"
HINGE ANCHORS INTO HOLLOW OR GROUT-FILLED CMU (ASTM C-90)	3/16" DEWALT ULTRACON+	1-1/4"	2-1/2"
HINGE ANCHORS INTO 2X MIN. SOUTHERN PINE (G=0.55)	#10 WOOD SCREW	1-3/8"	7/8"
HINGE ANCHORS INTO 16 GAUGE (0.060") MIN. STEEL STUD (33 KSI YIELD MIN)	#10-16 HILTI KWIK-FLEX OR ITW TEKS SELF-DRILLING SCREW	FULL THREAD THRU 0.060"	1/2"
HINGE ANCHORS 1/8" ALUM. (6063-T5 MIN.) OR 1/8" STEEL (33 KSI MIN.)	#10 GRADE 5 SELF-TAPPING / DRILLING SCREW	FULL THREAD THRU 0.125"	1/2"