

3" PVC MULL BAR - NON-IMPACT

SHOWN w/DIFFERENT OPTIONS

GENERAL NOTES:

1. THE PRODUCT SHOWN HEREIN IS DESIGNED AND MANUFACTURED TO COMPLY WITH THE FLORIDA BUILDING CODE (FBC), CURRENT EDITION.
2. CONFIGURATIONS (SEE SHEET 2): VERTICAL OR HORIZONTAL.
3. SEE MULLION CHARTS FOR MAX. DESIGN PRESSURES AND LENGTH. (REFER TO SHEETS 2-3)
4. ANCHORAGE: THE 33 1/3% STRESS INCREASE HAS NOT BEEN USED IN THE DESIGN OF THIS PRODUCT. SEE SHEETS 9-10 FOR ANCHOR DETAILS. WINDLOAD DURATION FACTOR $C_d=1.6$ WAS USED FOR WOOD ANCHOR CALCULATIONS.
5. NOT APPROVED FOR IMPACT RESISTANCE. IMPACT PROTECTIVE SYSTEM IS REQUIRED IN WIND BORNE DEBRIS REGION.
6. DESIGN PRESSURE OF MULLED UNITS SHALL BE CONTROLLED BY THE LESSER DESIGN PRESSURE OF THE MULLION OR THE INDIVIDUAL WINDOW UNITS.
7. DESIGN PRESSURES AND INSTALLATION DETAILS SHOWN IN THIS DOCUMENT APPLY ONLY TO THE MULLION. WINDOWS MUST BE APPROVED UNDER SEPARATE APPROVAL.
8. RESPONSIBILITY OF SELECTING FENESTRATION PRODUCTS TO MEET ANY APPLICABLE LOCAL LAWS, BUILDING CODES, ORDINANCES OR OTHER SAFTEY REQUIREMENTS RESTS SOLEY WITH THE ARCHITECT, ENGINEER OF RECORD, BUILDING OWNER OR CONTRACTOR.
9. SINGLE UNITS TO BE MULLED ARE NOT LIMITED TO THOSE SHOWN IN THIS DRAWING. SINGLE UNITS TO BE MULLED TOGETHER MUST BE MANUFACTURED BY CUSTOM WINDOW SYSTEMS, INC. AND MUST BE MADE OUT OF VINYL PVC OR EXTRUDED ALUMINUM.
10. VERTICAL MULLED UNITS MAY BE MULLED INDEFINITELY AS LONG AS THE SINGLE UNIT WIDTH AND HEIGHT ARE NOT EXCEEDED, AND MULLIONS ARE ANCHORED AS SHOWN HERE IN.
11. HORIZONTAL MULLION SHALL EXTEND THE ENTIRE WIDTH OF THE MULLED UNIT. VERTICAL MULLION IS USED TO MULL SIDE BY SIDE UNITS TOGETHER.



3" PVC MULL BAR NON-IMPACT

PROPRIETARY AND CONFIDENTIAL
 THE INFORMATION CONTAINED IN THIS DRAWING IS THE SOLE PROPERTY OF CUSTOM WINDOW SYSTEMS, INC. ANY REPRODUCTION IN PART OR AS A WHOLE WITHOUT THE WRITTEN PERMISSION OF CUSTOM WINDOW SYSTEMS, INC IS PROHIBITED.

FLORIDA APPROVAL NO.:
33621

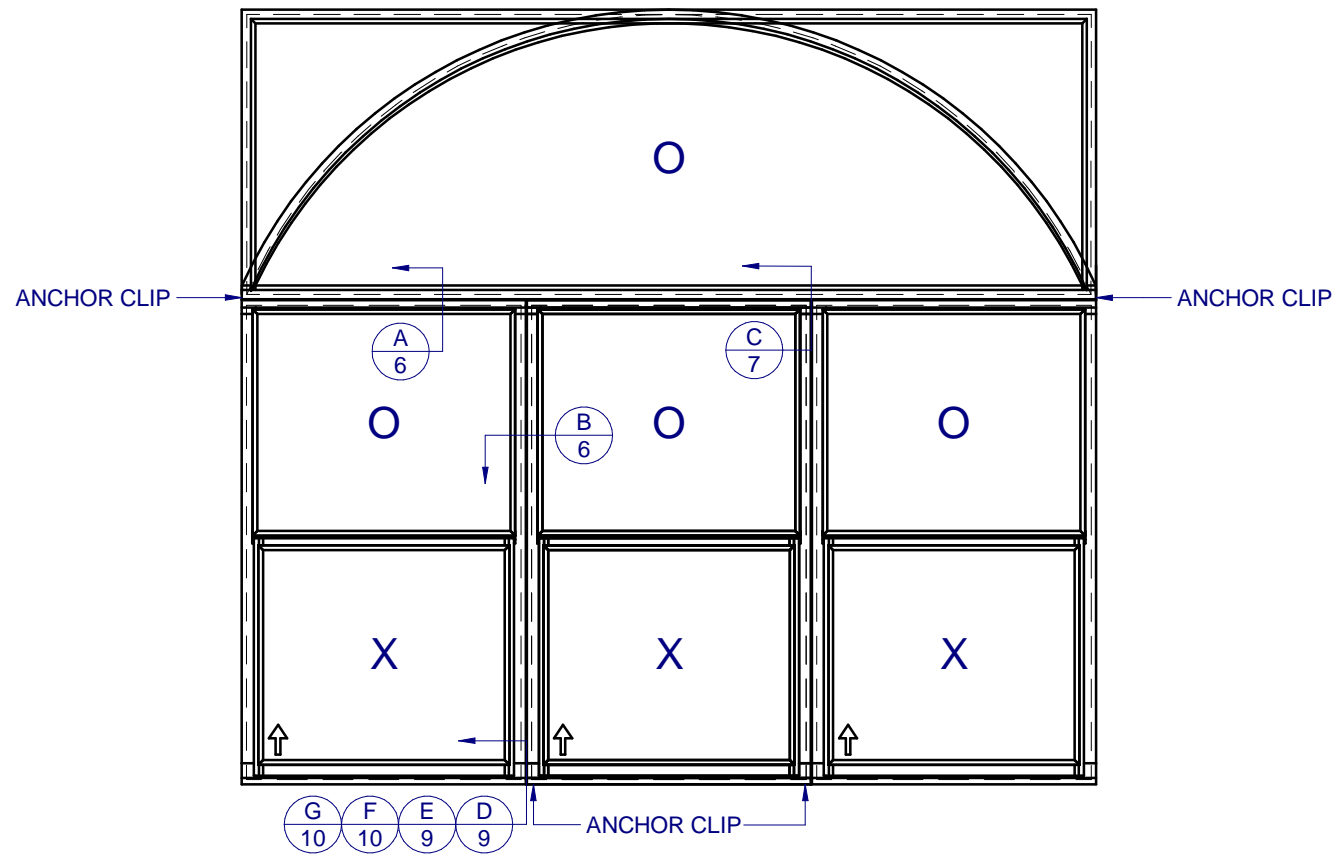


10/11/2023

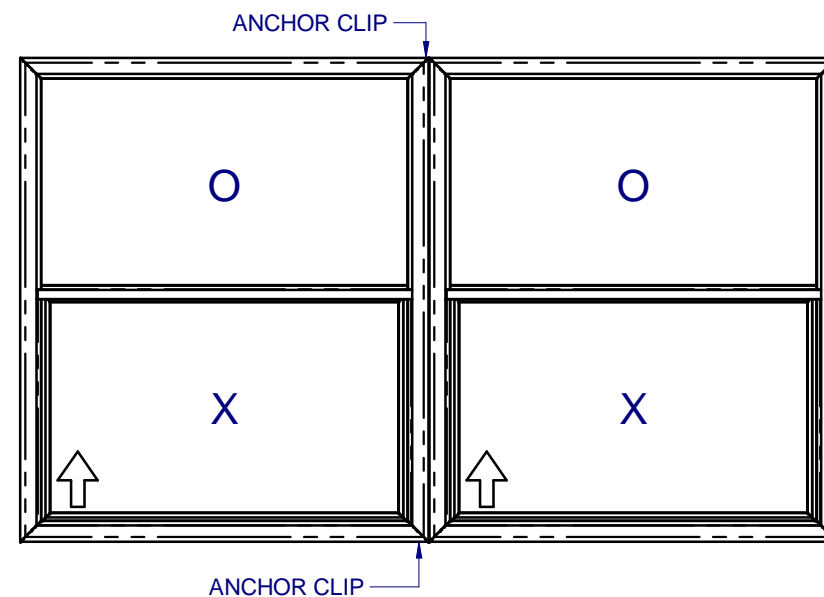
LUCAS A. TURNER, P.E.
 FL PE # 58201
 Turner Engineering & Consulting, Inc.
 2428 Old Natchez Trc Trl
 Camden, TN 38320
 PH. 941-380-1574

SHEET DESCRIPTION:
GENERAL NOTES AND ELEVATIONS

DRAWN BY: MCS	DATE: 10/3/2023
DWG #: PEL-430	REV.: A
SCALE: 1:25	SHEET 1 OF 10



EXAMPLE HORIZ./VERT. MULLION FOR SECTION VIEW ONLY



EXAMPLE VERTICAL MULLION FOR PVC WINDOWS FOR SECTION VIEWS ONLY

TABLE OF CONTENTS

GENERAL NOTES & ELEVATIONS.....	1
DP CHARTS.....	2-3
BOM & EXTRUSIONS.....	4
EXTRUSIONS.....	5
SECTION VIEWS.....	6-7
CONFIGURATIONS & ANCHOR NOTES.....	8
INSTALLATION DETAILS.....	9-10

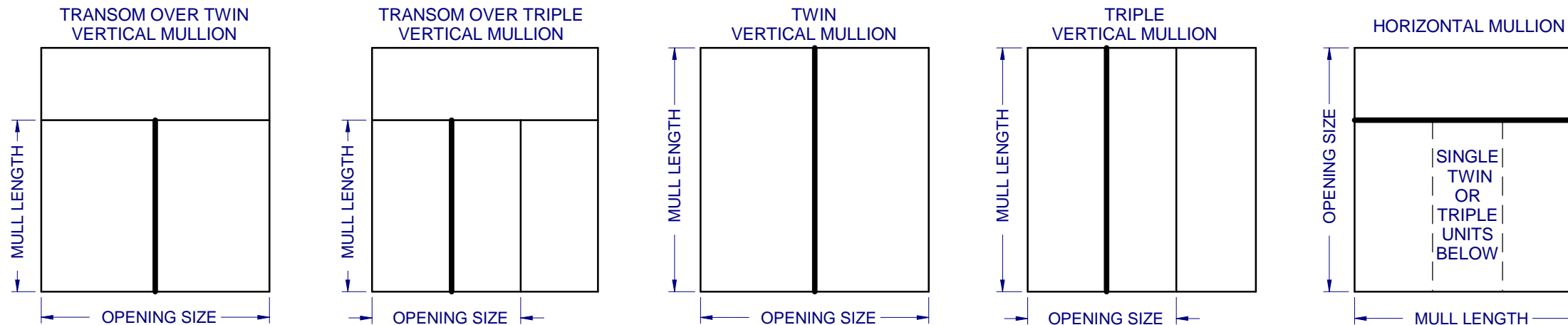
DESIGN PRESSURE CHART (PSF) FOR NON-IMPACT ALUMINUM 3" MULLION H-1758, HORIZONTAL OR VERTICAL, WITH 1522 or 1767 CLIPS USING FOUR (4) #10 SCREWS INTO WOOD or METAL, 3/16" ITW TAPCONS or DEWALT ULTRACON+ INTO SOLID CONCRETE WITH WASHERS PER CLIP. HOLLOW or GROUT-FILLED BLOCK REQUIRES FOUR (4) 1/4" DEWALT ULTRACON+ WITH THE 1767 CLIP.

		OPENING WIDTH (in.)															
		39	45	51	57	63	69	75	81	87	93	99	106 3/8	114	120	132	144
MULL LENGTH (in.)	37	120	120	120	120	120	120	120	120	120	116	109	102	96	91	83	76
	42 3/4	120	120	120	120	120	120	120	113	106	99	94	88	82	78	71	66
	48 3/4	120	120	120	120	120	113	105	98	92	86	81	76	71	68	62	57
	53 1/8	120	120	120	120	111	103	95	89	83	79	74	69	65	62	57	52
	57	120	120	120	112	103	95	88	82	77	73	69	64	60	58	53	49
	63	120	120	110	100	92	85	79	74	69	65	62	58	54	52	47	44
	66 3/4	120	113	102	93	86	79	74	69	65	61	58	54	51	49	44	41
	72	117	104	94	86	79	72	66	62	57	54	51	47	44	42	38	35
	76	103	90	81	73	67	61	56	52	49	46	43	40	37	36	32	30
	80	88	77	69	62	57	52	48	45	42	39	37	34	32	30	28	25
	84	76	67	59	53	49	45	42	39	36	34	32	30	28	26	24	22
	90	62	54	48	43	39	36	34	31	29	27	26	24	22	21	19	18
	96	51	44	39	35	32	30	28	26	24	23	21	20	18	18	16	15
	102	42	37	33	29	27	25	23	21	20	19	18	16	15	15	-	-
	106 3/8	37	32	29	26	24	22	20	19	18	17	16	15	-	-	-	-
	114	30	26	23	21	19	17	16	15	-	-	-	-	-	-	-	-
120	26	22	20	18	16	15	-	-	-	-	-	-	-	-	-	-	
126	22	19	17	15	-	-	-	-	-	-	-	-	-	-	-	-	
132	19	17	15	-	-	-	-	-	-	-	-	-	-	-	-	-	
138	17	15	-	-	-	-	-	-	-	-	-	-	-	-	-	-	

DP CHART IS FOR:
NON-IMPACT 3" MULLION 1758, HORIZONTAL OR VERTICAL, USING EITHER (PER END):

- 1522 or 1767 CLIPS
- (4) #10 SCREWS INTO WOOD or METAL
- (4) 3/16" ITW TAPCONS or DEWALT ULTRACON+ INTO SOLID CONCRETE or WOOD

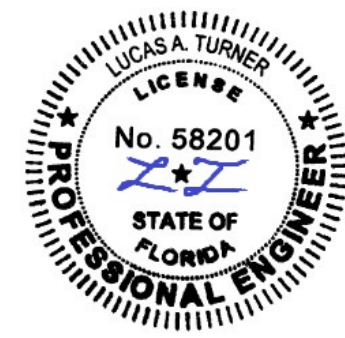
- 1767 CLIPS
- (4) 1/4" DEWALT ULTRACON+ INTO HOLLOW or GROUT-FILLED BLOCK



3" PVC MULL BAR NON-IMPACT

PROPRIETARY AND CONFIDENTIAL
THE INFORMATION CONTAINED IN THIS DRAWING IS THE SOLE PROPERTY OF CUSTOM WINDOW SYSTEMS, INC. ANY REPRODUCTION IN PART OR AS A WHOLE WITHOUT THE WRITTEN PERMISSION OF CUSTOM WINDOW SYSTEMS, INC IS PROHIBITED.

FLORIDA APPROVAL NO.:
33621



10/11/2023

LUCAS A. TURNER, P.E.
FL PE # 58201
Turner Engineering & Consulting, Inc.
2428 Old Natchez Trc Trl
Camden, TN 38320
PH. 941-380-1574

SHEET DESCRIPTION:
DP CHART
1522 or 1767 CLIP
4 ANCHORS

DRAWN BY: MCS
DATE: 10/3/2023

DWG #: PEL-430
REV.: A

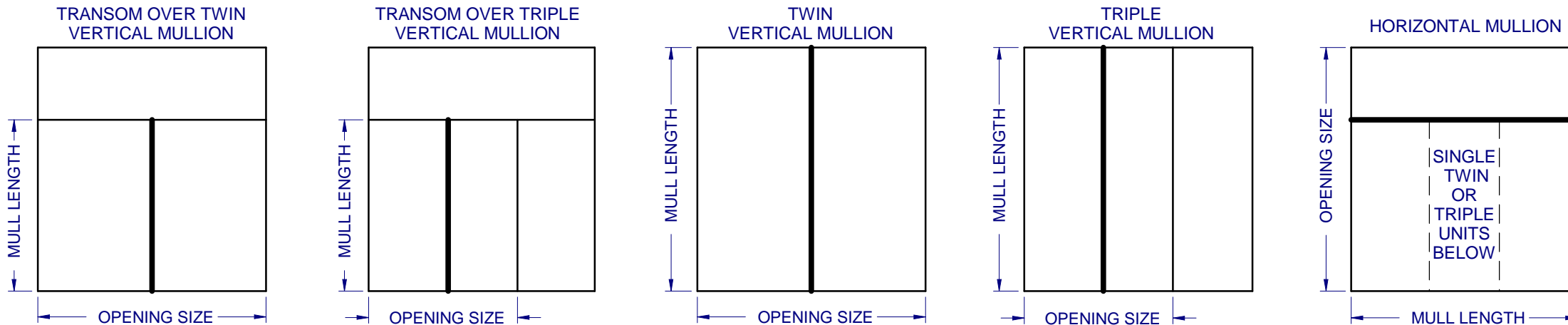
SCALE: 1:1
SHEET 2 OF 10

DESIGN PRESSURE CHART (PSF) FOR NON-IMPACT ALUMINUM 3" MULLION H-1758, HORIZONTAL OR VERTICAL, WITH 1767 CLIPS USING SIX (6) #10 SCREWS INTO WOOD or METAL, 3/16" ITW TAPCONS or DEWALT ULTRACON+ WITH WASHERS PER EACH END OF MULLION. HOLLOW or GROUT-FILLED BLOCK REQUIRE SIX (6) 1/4" DEWALT ULTRACON+ WITH THE 1767 CLIP.

		OPENING WIDTH (in.)															
		39	45	51	57	63	69	75	81	87	93	99	106 3/8	114	120	132	144
MULL LENGTH (in.)	37	120	120	120	120	120	120	120	120	120	120	120	120	120	120	120	120
	42 3/4	120	120	120	120	120	120	120	120	120	120	120	120	120	120	115	106
	48 3/4	120	120	120	120	120	120	120	120	120	120	120	120	115	110	100	92
	53 1/8	120	120	120	120	120	120	120	120	120	120	119	112	105	100	91	84
	57	120	120	120	120	120	120	120	120	116	109	102	95	89	84	77	71
	63	120	120	120	120	118	108	99	92	86	80	76	70	66	63	57	52
	66 3/4	120	120	120	109	99	91	83	77	72	68	64	59	55	53	48	44
	72	120	107	95	86	79	72	66	62	57	54	51	47	44	42	38	35
	76	103	90	81	73	67	61	56	52	49	46	43	40	37	36	32	30
	80	88	77	69	62	57	52	48	45	42	39	37	34	32	30	28	25
	84	76	67	59	53	49	45	42	39	36	34	32	30	28	26	24	22
	90	62	54	48	43	39	36	34	31	29	27	26	24	22	21	19	18
	96	51	44	39	35	32	30	28	26	24	23	21	20	18	18	16	-
	102	42	37	33	29	27	25	23	21	20	19	18	16	15	-	-	-
	106 3/8	37	32	29	26	24	22	20	19	18	17	16	-	-	-	-	-
	114	30	26	23	21	19	17	16	15	-	-	-	-	-	-	-	-
120	26	22	20	18	16	-	-	-	-	-	-	-	-	-	-	-	
126	22	19	17	15	-	-	-	-	-	-	-	-	-	-	-	-	
132	19	17	-	-	-	-	-	-	-	-	-	-	-	-	-	-	
138	17	-	-	-	-	-	-	-	-	-	-	-	-	-	-	-	

DP CHART IS FOR:
NON-IMPACT 3" MULLION 1758, HORIZONTAL OR VERTICAL, USING EITHER (PER END):

- 1767 CLIPS
- (6) #10 SCREWS INTO WOOD or METAL
- (6) 3/16" ITW TAPCONS or DEWALT ULTRACON+ INTO SOLID CONCRETE or WOOD
- (6) 1/4" DEWALT ULTRACON+ INTO HOLLOW or GROUT-FILLED BLOCK



**3" PVC
MULL BAR
NON-IMPACT**

PROPRIETARY AND CONFIDENTIAL
THE INFORMATION CONTAINED IN THIS DRAWING IS THE SOLE PROPERTY OF CUSTOM WINDOW SYSTEMS, INC. ANY REPRODUCTION IN PART OR AS A WHOLE WITHOUT THE WRITTEN PERMISSION OF CUSTOM WINDOW SYSTEMS, INC IS PROHIBITED.

FLORIDA APPROVAL NO.:
33621



10/11/2023

LUCAS A. TURNER, P.E.
FL PE # 58201
Turner Engineering & Consulting, Inc.
2428 Old Natchez Trc Trl
Camden, TN 38320
PH. 941-380-1574

SHEET DESCRIPTION:
DP CHART
1767 CLIP
6 ANCHORS

DRAWN BY: MCS DATE: 10/3/2023

DWG #: PEL-430 REV.: A

SCALE: 1:1 SHEET 3 OF 10

ITEM	PART #	DESCRIPTION
1	H-1758	1 3/8" x 3" MULLION TUBE
2		#10 OR #12 HEX WASHER HEAD TEK SCREW *(see note below)
3		#10 x 1 1/2", PANHEAD PHILIPS ZINC
4		#10 FLAT WASHER
7	S-1897	MULLION CLIP, INTERSECTING MULL
8		SEALANT
9	S-1895	DRIP CAP, HORIZONTAL MULL
10	S-1896	FLANGE ADAPTER, VERTICAL MULL
11	S-6018	MULLION INTERIOR COVER, EXT FIN/BOX CLIP
14	F-1522-013	3" SLOTTED NEW CONSTRUCTION FIN MULL CLIP
15	F-1522-006	3" SLOTTED T-CLIP
16	F-1767-001	L-ANGLE 3" MULL CLIP, FLANGE/BOX
17	F-1767-004L	L-ANGLE 3" MULL CLIP, FIN, LEFT
18	F-1767-004R	L-ANGLE 3" MULL CLIP, FIN, RIGHT
19		#10 HEX WASHER HEAD TEK SCREW

FRAME TYPE	OPENING	"T" MULLBAR CLIP (F-1522-XXX)	"L" MULLBAR CLIP (F-1767-XXX)
FLANGE	NEW	F-1522-013	F-1767-001
	RETRO	F-1522-006	F-1767-001
FIN	NEW	F-1522-013	F-1767-004(L&R)
	RETRO	F-1522-013	F-1767-004(L&R)
BOX	NEW	NOT RECOMMENDED	F-1767-001
	RETRO	F-1522-006	F-1767-001



3" PVC MULL BAR NON-IMPACT

PROPRIETARY AND CONFIDENTIAL
 THE INFORMATION CONTAINED IN THIS DRAWING IS THE SOLE PROPERTY OF CUSTOM WINDOW SYSTEMS, INC. ANY REPRODUCTION IN PART OR AS A WHOLE WITHOUT THE WRITTEN PERMISSION OF CUSTOM WINDOW SYSTEMS, INC IS PROHIBITED.

FLORIDA APPROVAL NO.: 33621



10/11/2023

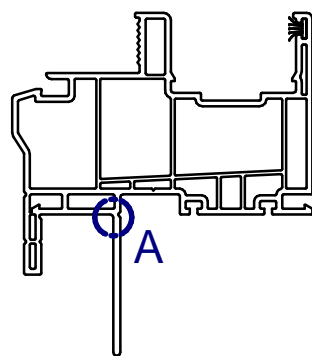
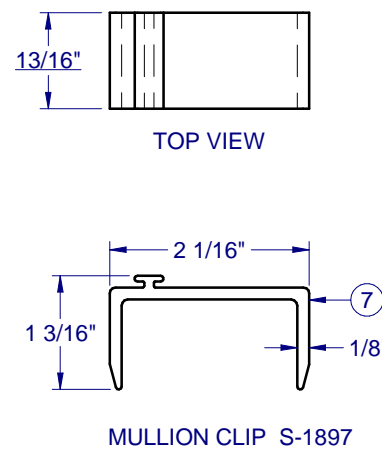
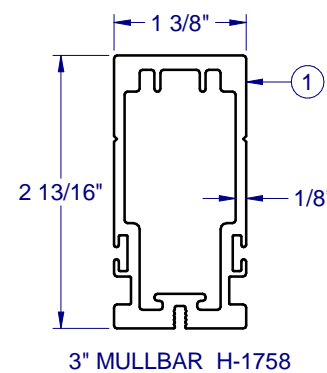
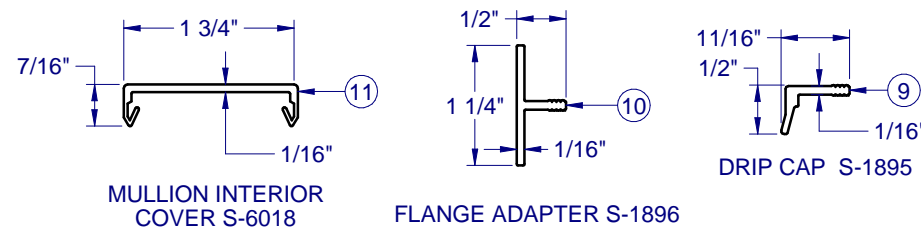
LUCAS A. TURNER, P.E.
 FL PE # 58201
 Turner Engineering & Consulting, Inc.
 2428 Old Natchez Trc Trl
 Camden, TN 38320
 PH. 941-380-1574

SHEET DESCRIPTION:

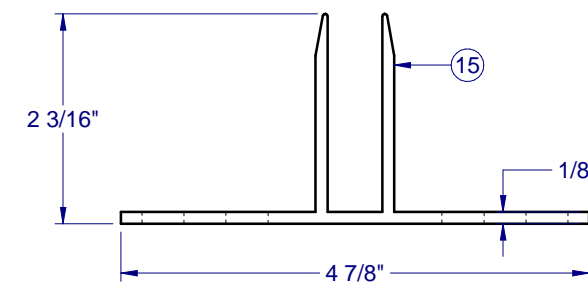
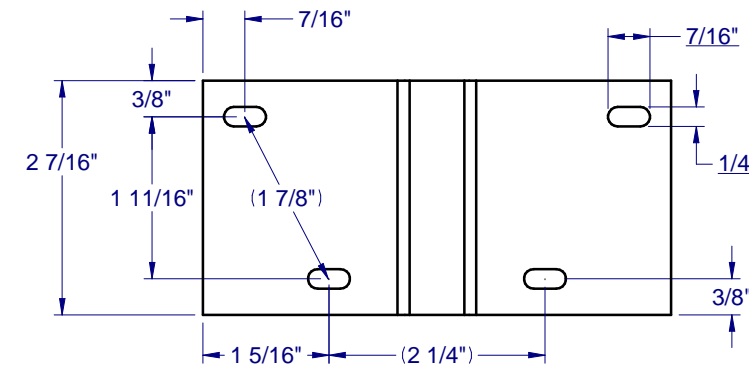
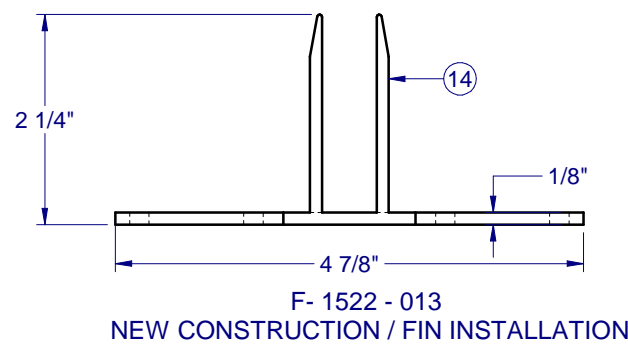
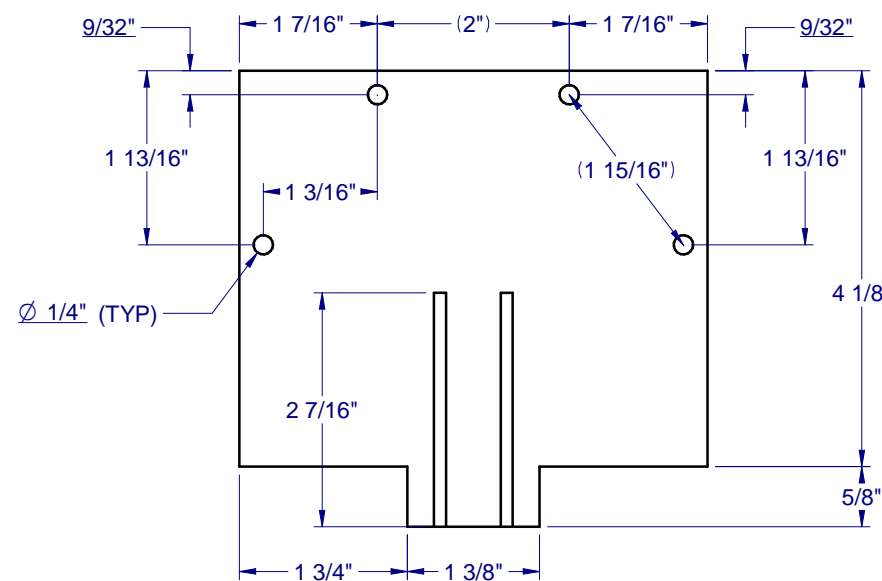
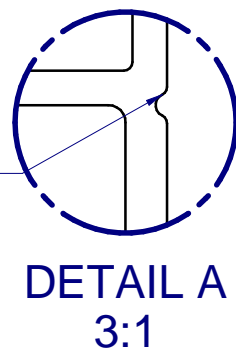
BOM AND EXTRUSIONS

DRAWN BY:	DATE:
MCS	10/3/2023
DWG #:	REV.:
PEL-430	A
SCALE:	SHEET
1:2	4 OF 10

* USE WOOD SCREW SIZE (#10 OR #12), SPECIFIED IN WINDOW UNIT APPROVAL DOCUMENT

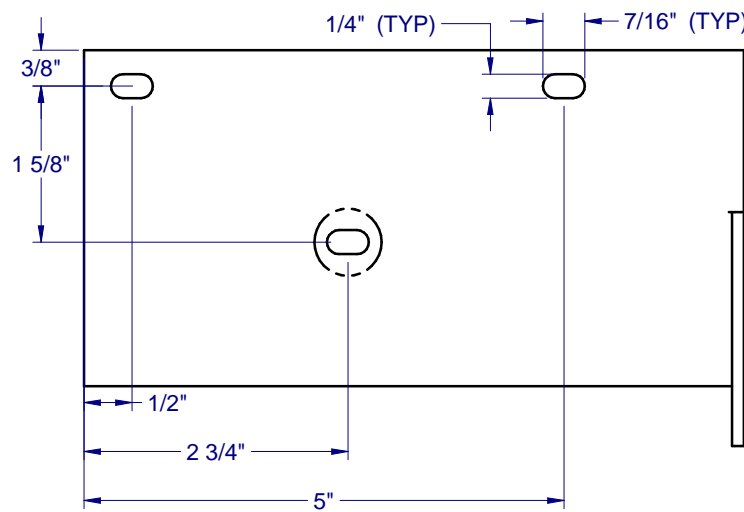
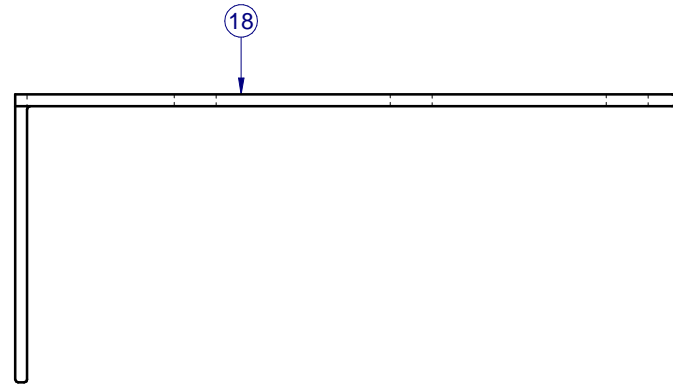
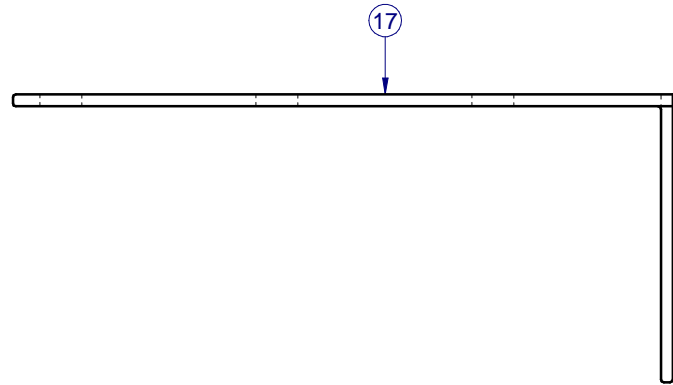


SCORE, BEND AND BREAK TO REMOVE FIN FOR FRAME ATTACHMENT TO MULL BAR



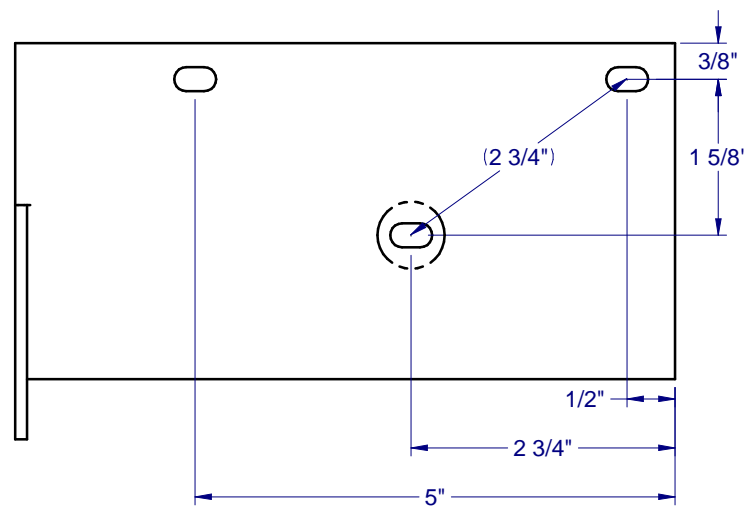
NOTE: ALL EXTRUSIONS ARE ALUMINUM 6063-T6 UNLESS OTHERWISE NOTED.

NOTE: IF USING CLIPS WHICH REQ. FOUR (4) ANCHORS PER END (REFER TO SHEET 2), THE MIDDLE HOLE (CIRCLED) MUST BE USED WITH ANY OTHER HOLE AS REQ'D PER EDGE DISTANCE.



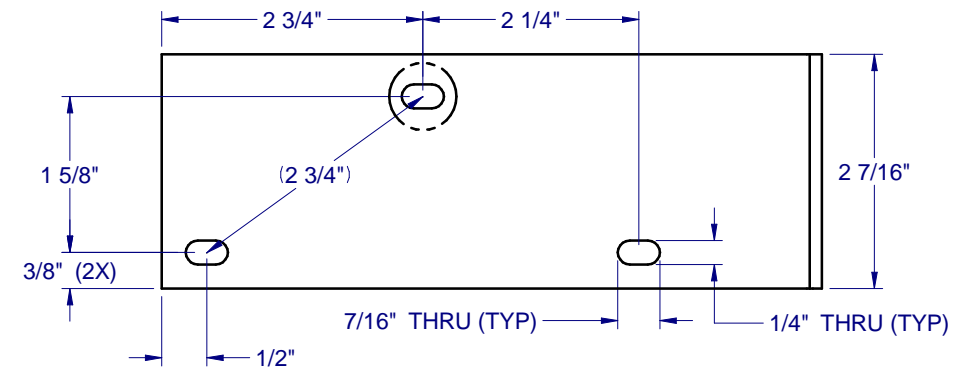
"L" ANGLE 3" MULL CLIP, FIN (LEFT) F-1767-004L

OUTSIDE

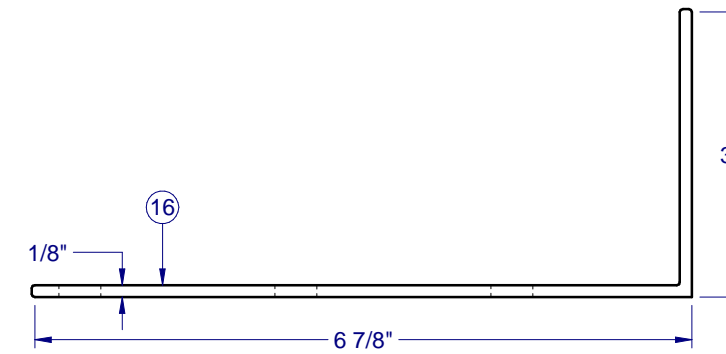


"L" ANGLE 3" MULL CLIP, FIN (RIGHT) F-1767-004R

FRAME TYPE	OPENING	"T" MULLBAR CLIP (F-1522-XXX)	"L" MULLBAR CLIP (F-1767-XXX)
FLANGE	NEW	F-1522-013	F-1767-001
	RETRO	F-1522-006	F-1767-001
FIN	NEW	F-1522-013	F-1767-004(L&R)
	RETRO	F-1522-013	F-1767-004(L&R)
BOX	NEW	NOT RECOMMENDED	F-1767-001
	RETRO	F-1522-006	F-1767-001



OUTSIDE



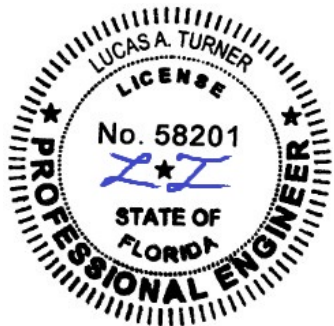
"L" ANGLE 3" STANDARD MULL CLIP - F-1767-001



3" PVC MULL BAR NON-IMPACT

PROPRIETARY AND CONFIDENTIAL
 THE INFORMATION CONTAINED IN THIS DRAWING IS THE SOLE PROPERTY OF CUSTOM WINDOW SYSTEMS, INC. ANY REPRODUCTION IN PART OR AS A WHOLE WITHOUT THE WRITTEN PERMISSION OF CUSTOM WINDOW SYSTEMS, INC IS PROHIBITED.

FLORIDA APPROVAL NO.: 33621



10/11/2023

LUCAS A. TURNER, P.E.
 FL PE # 58201
 Turner Engineering & Consulting, Inc.
 2428 Old Natchez Trc Trl
 Camden, TN 38320
 PH. 941-380-1574

SHEET DESCRIPTION:

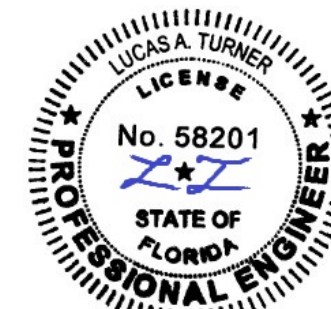
EXTRUSIONS

DRAWN BY:	DATE:
MCS	10/3/2023
DWG #:	REV.:
PEL-430	A
SCALE:	SHEET
1:2	5 OF 10

**3" PVC
 MULL BAR
 NON-IMPACT**

PROPRIETARY AND CONFIDENTIAL
 THE INFORMATION CONTAINED IN
 THIS DRAWING IS THE SOLE
 PROPERTY OF CUSTOM WINDOW
 SYSTEMS, INC. ANY
 REPRODUCTION IN PART OR AS A
 WHOLE WITHOUT THE WRITTEN
 PERMISSION OF CUSTOM WINDOW
 SYSTEMS, INC IS PROHIBITED.

FLORIDA APPROVAL NO.:
 33621



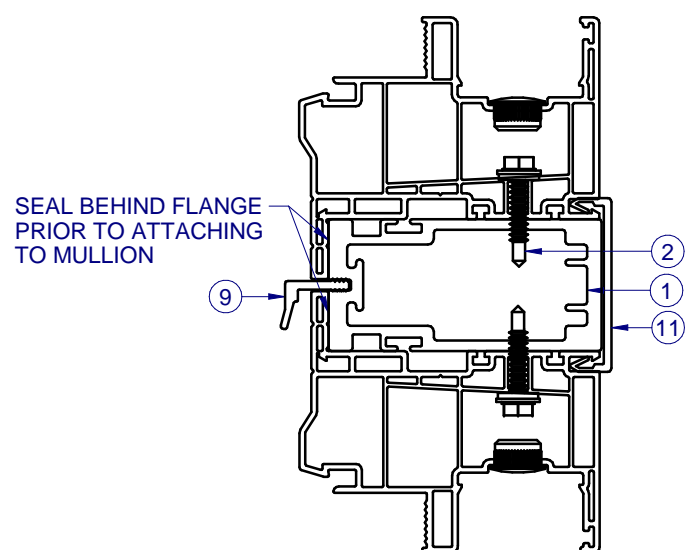
10/11/2023

LUCAS A. TURNER, P.E.
 FL PE # 58201
 Turner Engineering &
 Consulting, Inc.
 2428 Old Natchez Trc Trl
 Camden, TN 38320
 PH. 941-380-1574

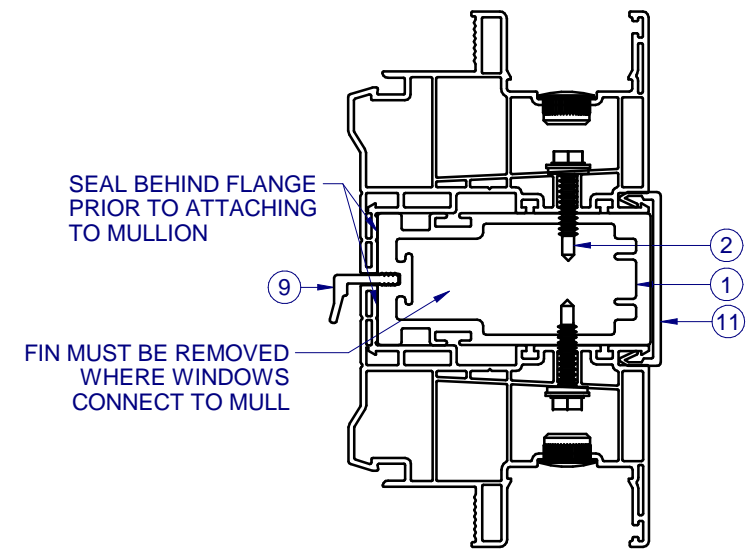
SHEET DESCRIPTION:

**SECTION VIEWS
 MULLS**

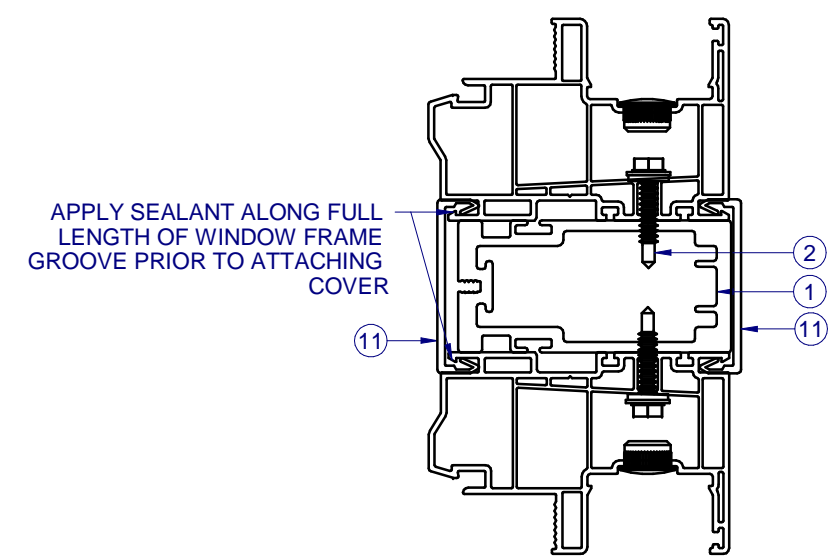
DRAWN BY: MCS	DATE: 10/3/2023
DWG #: PEL-430	REV.: A
SCALE: 1:2	SHEET 6 OF 10



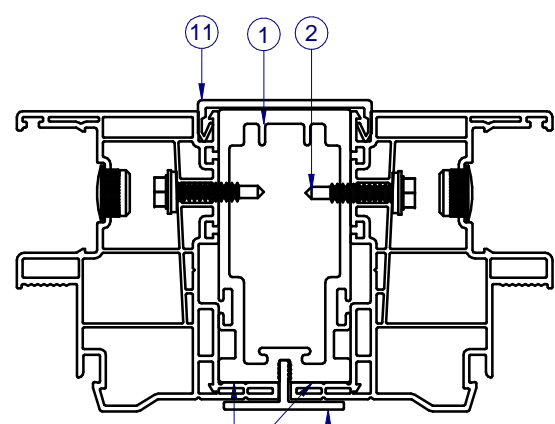
A
6 HORIZONTAL MULL BAR SECTION
 FLANGE FRAME WINDOW



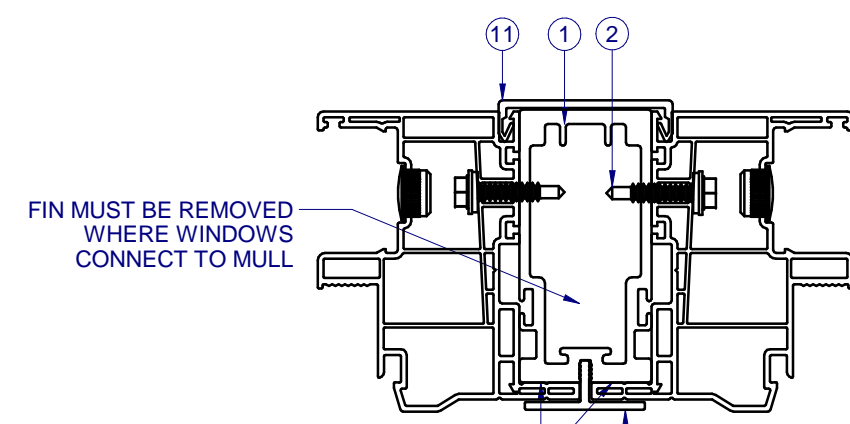
A
6 HORIZONTAL MULL BAR SECTION
 FIN FRAME WINDOW



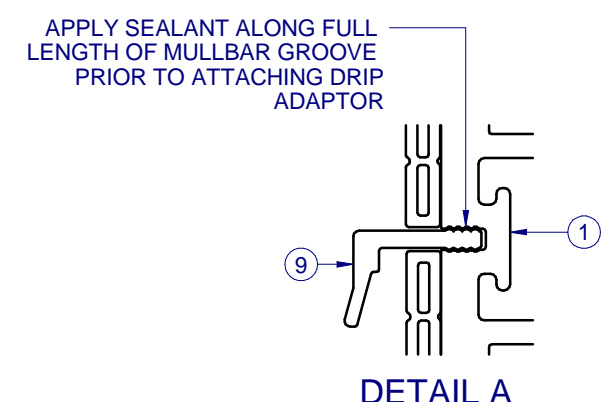
A
6 VERTICAL/HORIZONTAL MULL BAR SECTION
 BOX FRAME WINDOW



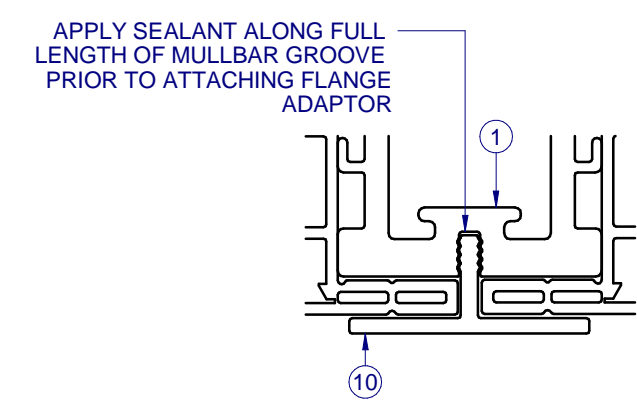
B
6 VERTICAL MULL BAR SECTION
 FLANGE FRAME WINDOW



B
6 VERTICAL MULL BAR SECTION
 FIN FRAME WINDOW



DETAIL A



DETAIL B

**3" PVC
 MULL BAR
 NON-IMPACT**

PROPRIETARY AND CONFIDENTIAL
 THE INFORMATION CONTAINED IN THIS DRAWING IS THE SOLE PROPERTY OF CUSTOM WINDOW SYSTEMS, INC. ANY REPRODUCTION IN PART OR AS A WHOLE WITHOUT THE WRITTEN PERMISSION OF CUSTOM WINDOW SYSTEMS, INC IS PROHIBITED.

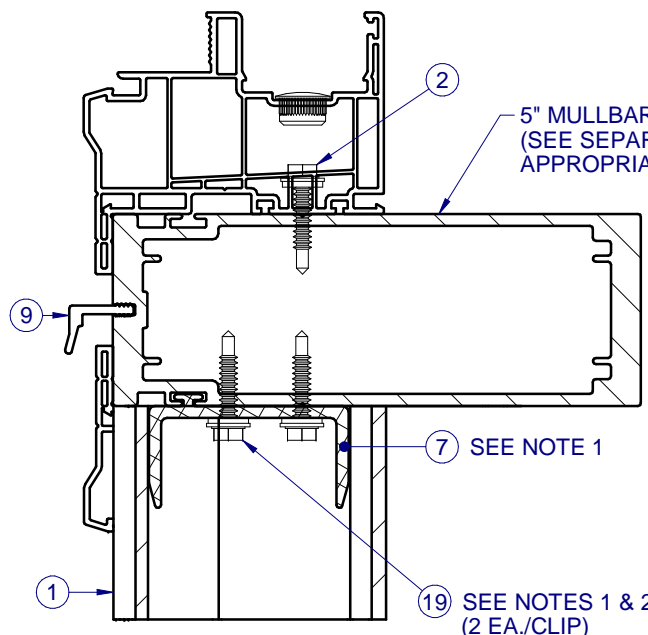
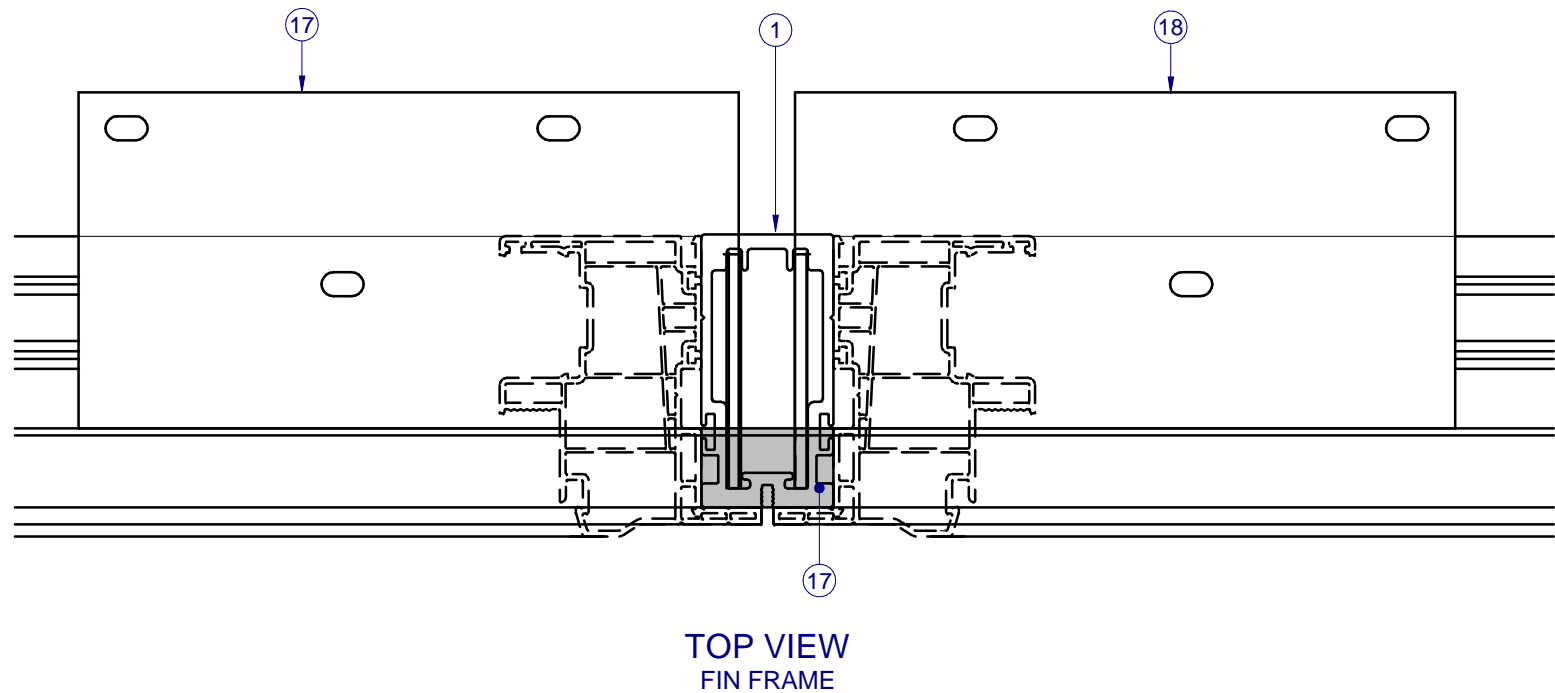
FLORIDA APPROVAL NO.:
 33621



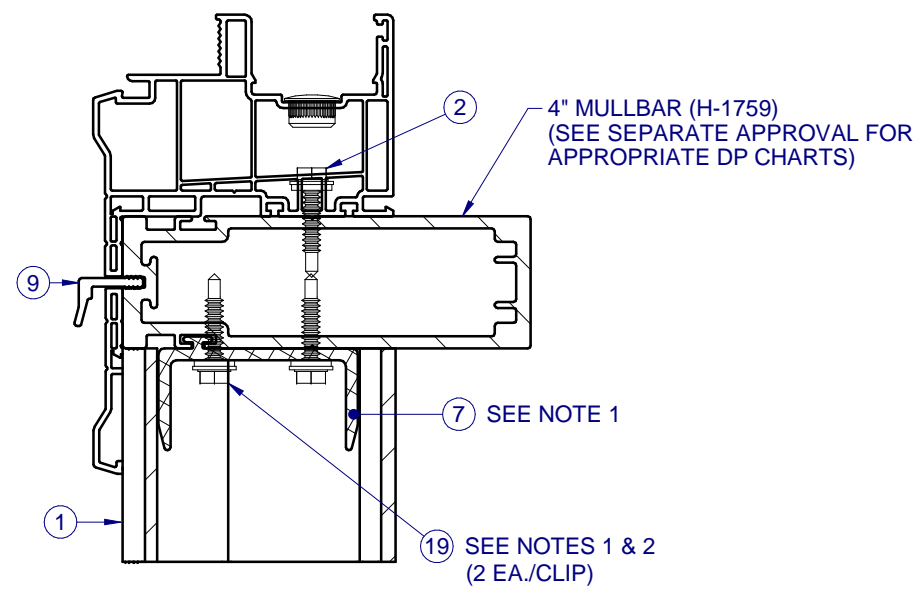
10/11/2023
 LUCAS A. TURNER, P.E.
 FL PE # 58201
 Turner Engineering & Consulting, Inc.
 2428 Old Natchez Trc Trl
 Camden, TN 38320
 PH. 941-380-1574

SHEET DESCRIPTION:
**SECTION VIEWS
 MULL INTERSECTIONS**

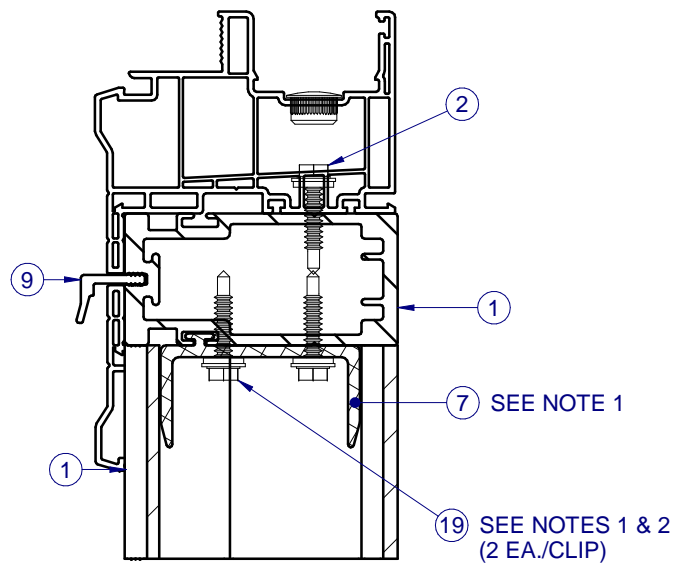
DRAWN BY: MCS	DATE: 10/3/2023
DWG #: PEL-430	REV.: A
SCALE: 1:2	SHEET 7 OF 10



C 5" HORIZ. TO 3" VERT. MULLBAR SECTION
7 FLANGE FRAME WINDOW



C 4" HORIZ. TO 3" VERT. MULLBAR SECTION
7 FLANGE FRAME WINDOW

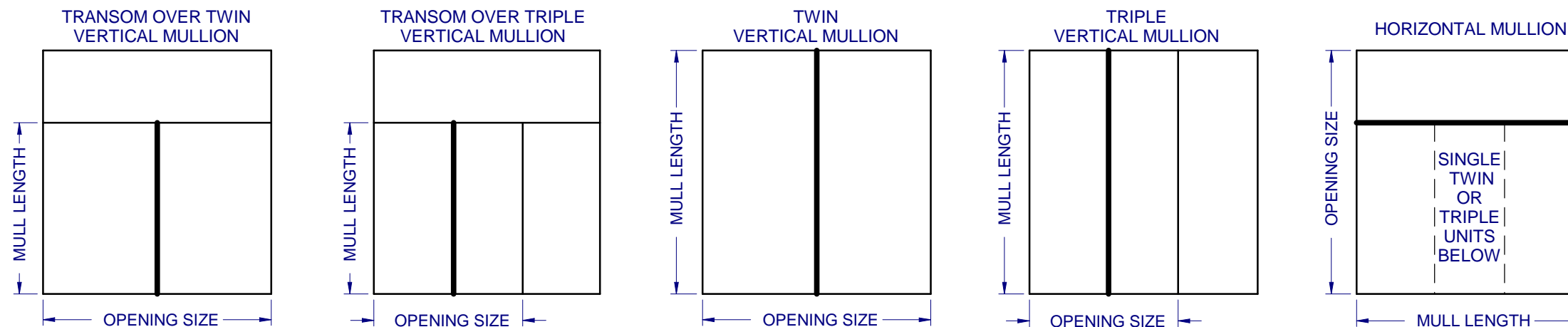


C 3" HORIZ. TO 3" VERT. MULLBAR SECTION
7 FLANGE FRAME WINDOW

NOTES:

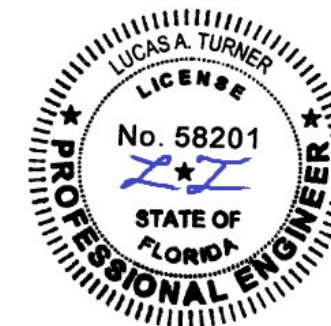
1. SLIDE CLIP INTO LOCATION AND SECURE WITH ITEM 19 (QTY 2), AS SHOWN ABOVE.
2. PRE-DRILLED HOLES (THRU H/V CLIP 1897), BY THE INSTALLER, MAY BE LOCATED AS NEEDED WHILE MAINTAINING A MINIMUM CLIP EDGE DISTANCE OF 9/32" AND A MINIMUM CENTER TO CENTER SPACING OF 1/2".
3. THE ABOVE SECTIONS APPLY TO ALL MULLBAR-TO-MULLBAR CONNECTIONS, REGARDLESS OF ORIENTATION (i.e., HORIZONTAL OR VERTICAL). THE FULL LENGTH MULL MUST BE THE SAME DEPTH, OR GREATER, THAN THE INTERSECTING MULL.

**3" PVC
MULL BAR
NON-IMPACT**



PROPRIETARY AND CONFIDENTIAL
THE INFORMATION CONTAINED IN THIS DRAWING IS THE SOLE PROPERTY OF CUSTOM WINDOW SYSTEMS, INC. ANY REPRODUCTION IN PART OR AS A WHOLE WITHOUT THE WRITTEN PERMISSION OF CUSTOM WINDOW SYSTEMS, INC IS PROHIBITED.

FLORIDA APPROVAL NO.:
33621



10/11/2023

LUCAS A. TURNER, P.E.
FL PE # 58201
Turner Engineering & Consulting, Inc.
2428 Old Natchez Trc Trl
Camden, TN 38320
PH. 941-380-1574

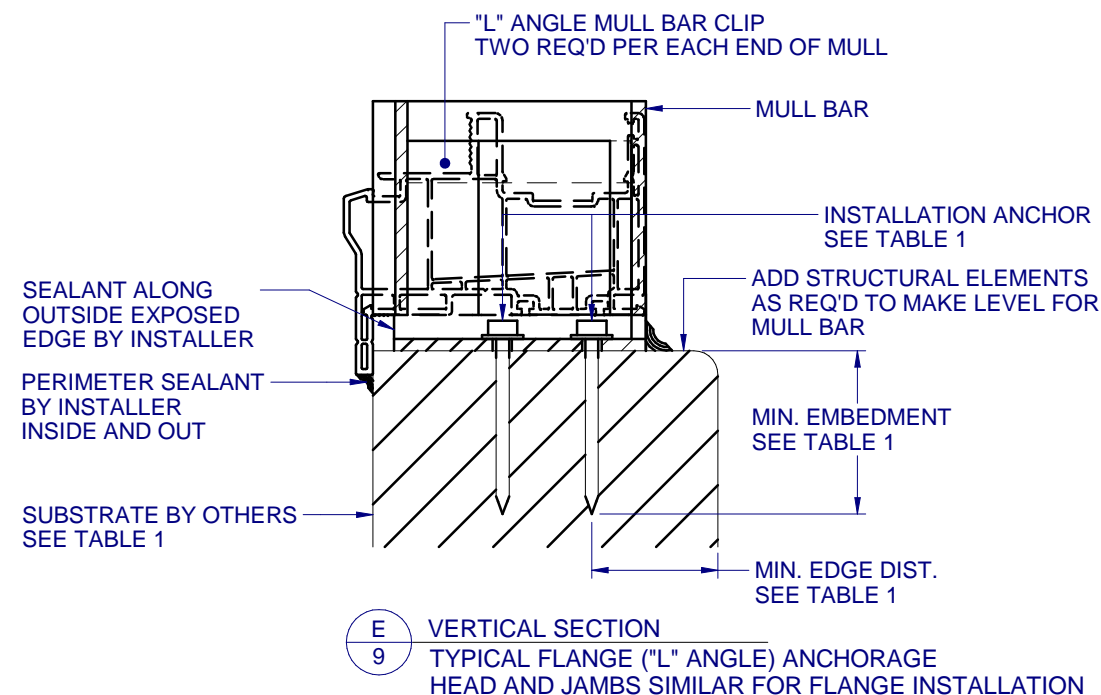
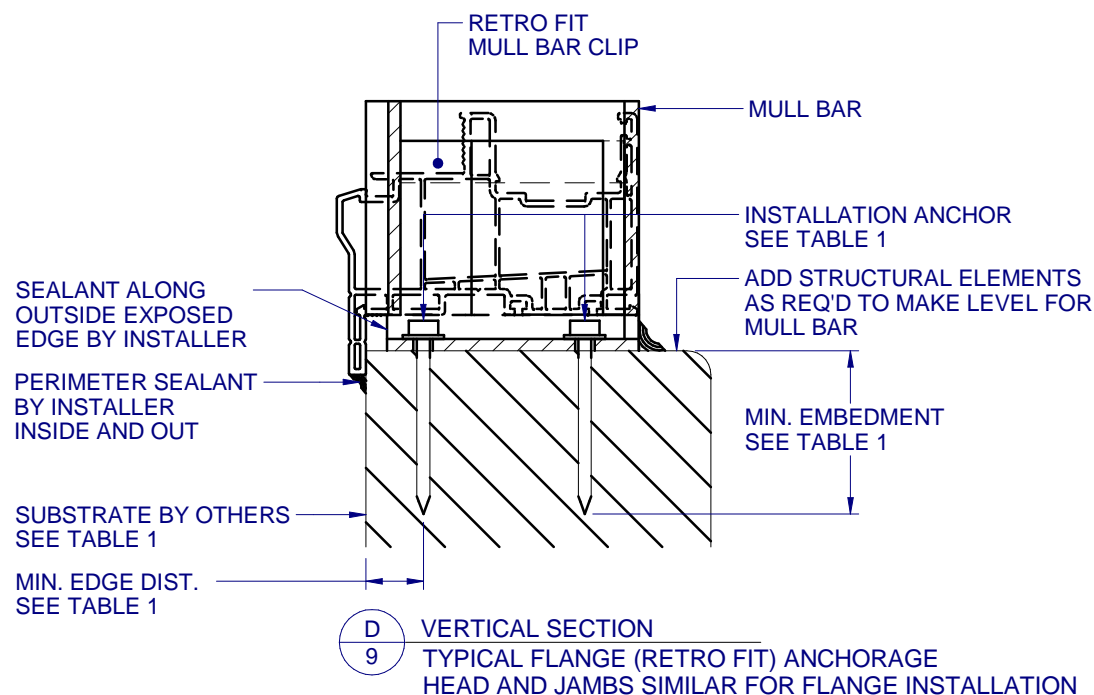
SHEET DESCRIPTION:
CONFIGURATIONS AND ANCHORAGE NOTES

DRAWN BY: MCS	DATE: 10/3/2023
DWG #: PEL-430	REV.: A
SCALE: 1:1	SHEET 8 OF 10

NOTES:

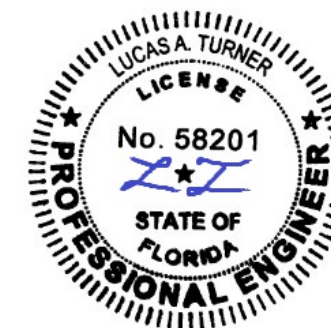
1. AT MULLION LOCATION, ATTACH WINDOW UNIT(S) TO MULLBAR THRU FRAME AS SPECIFIED IN WINDOW UNIT APPROVAL DOCUMENTS. IF ALUMINUM ATTACHMENT IS NOT SPECIFIED IN THE WINDOW UNIT APPROVAL DOCUMENTS, FOLLOW THE ANCHOR SPACING AS INDICATED IN THE WINDOW APPROVAL FOR ATTACHMENT TO WOOD SUBSTRATE, USING A HEX WASHER HEAD TEK SCREW OF THE SAME SIZE (#10 OR #12) AS THE WOOD SCREW INDICATED IN THE WINDOW APPROVAL. TEK SCREWS SHALL BE LONG ENOUGH TO ENSURE THREE (3) THREADS OF PENETRATION BEYOND THE INSIDE WALL OF MULLBAR.
2. MULL CLIP INSTALLATION ANCHOR TYPE, SIZE, SPACING AND EMBEDMENT SHALL BE AS SPECIFIED IN THESE DRAWINGS, SEE TABLE 1, SHEET 9.
3. ALL MULL CLIP INSTALLATION ANCHORS MUST BE MADE OF OR PROTECTED WITH A CORROSION RESISTANT MATERIAL OR COATING. DISSIMILAR METALS OR MATERIALS IN CONTACT WITH PRESSURE TREATED WOOD MUST BE PROTECTED TO PREVENT REACTION.
4. INSTALLATION ANCHORS SHALL BE IN ACCORDANCE WITH ANCHOR MANUFACTURER'S INSTALLATION INSTRUCTIONS, AND ANCHORS SHALL NOT BE USED IN SUBSTRATES WITH STRENGTHS LESS THAN THE MINIMUM SPECIFIED IN TABLE 1, SHEET 9.
5. ANCHOR EMBEDMENT TO SUBSTRATE SHALL BE BEYOND WALL DRESSING OR STUCCO. FOR CONCRETE/CMU OPENINGS, EMBEDMENT SHALL BE BEYOND WOOD BUCKS, IF USED, INTO SUBSTRATE - 1X BUCKS ARE OPTIONAL.
6. A MINIMUM CENTER-TO-CENTER SPACING SHALL BE MAINTAINED AS INDICATED BY THE PRE-DRILLED HOLES AS SHOWN IN THE CLIP LAYOUTS ON SHEETS 4-5.
7. WOOD OR MASONRY OPENINGS, BUCKS AND BUCK FASTENERS SHALL BE PROPERLY DESIGNED BY THE ARCHITECT OR ENGINEER OF RECORD AND INSTALLED TO TRANSFER WIND LOADS TO THE STRUCTURE. SUBSTRATES SHALL MEET THE MINIMUM STRENGTH REQUIREMENTS AS SHOWN IN TABLE1, SHEET 9. CONCRETE AND MASONRY SUBSTRATES MAY NOT BE CRACKED.
8. SEALING AND FLASHING STRATEGIES FOR OVERALL WATER RESISTANCE OF INSTALLATION SHALL BE DONE BY OTHERS FOLLOWING THE CURRENT VERSION OF THE REFERENCE DOCUMENTS:
FMA/AAMA 100(FIN WINDOWS), FMA/AAMA 200(FLANGE WINDOWS), FMA/WDMA 250(BOX WINDOWS), FMA/AAMA/WDMA 300(EXTERIOR DOORS)

**3" PVC
 MULL BAR
 NON-IMPACT**



PROPRIETARY AND CONFIDENTIAL
 THE INFORMATION CONTAINED IN
 THIS DRAWING IS THE SOLE
 PROPERTY OF CUSTOM WINDOW
 SYSTEMS, INC. ANY
 REPRODUCTION IN PART OR AS A
 WHOLE WITHOUT THE WRITTEN
 PERMISSION OF CUSTOM WINDOW
 SYSTEMS, INC IS PROHIBITED.

FLORIDA APPROVAL NO.:
 33621



10/11/2023

LUCAS A. TURNER, P.E.
 FL PE # 58201
 Turner Engineering &
 Consulting, Inc.
 2428 Old Natchez Trc Trl
 Camden, TN 38320
 PH. 941-380-1574

SHEET DESCRIPTION:
**INSTALLATION DETAILS
 FLANGE**

DRAWN BY: MCS	DATE: 10/3/2023
DWG #: PEL-430	REV.: A
SCALE: 1:2	SHEET 9 OF 10

NOTES:

1. BOX FRAME MULL INSTALLATION SIMILAR TO FLANGE FRAME.
2. SILL STOOL MUST BE FLUSH AGAINST INSIDE OF MULLED WINDOWS AFTER INSTALLATION.
3. RECESS RETRO MULLION CLIP 3/8" MAX. FOR CLEARANCE OF WINDOW UNIT AS NEEDED.
4. FOUR (4) ANCHORS REQUIRED PER "T" MULL CLIP, SEE SHEET 2. TWO (2) or THREE (3) ANCHORS REQUIRED PER "L" MULL CLIP, SEE SHEETS 2-3.
5. SEAT MULLION TIGHT TO MULL CLIP.
6. FOR ANCHORAGE DETAILS FOR THE WINDOW, REFER TO THE WINDOW SPECIFIC INSTALLATION DETAILS.

TABLE 1: APPROVED MULL CLIP INSTALLATION FASTENERS

SUBSTRATE TYPE	ANCHOR TYPE	MIN. EMBEDMENT	MIN. EDGE DIST.
CONCRETE (2.0 KSI MIN.)	3/16" ITW TAPCON	1"	3"
CONCRETE (3.05 KSI MIN.)	3/16" DEWALT ULTRACON+	1-3/4"	1"
HOLLOW or GROUT-FILLED CMU (ASTM C-90)	1/4" DEWALT ULTRACON+	1-1/4"	2-1/2"
2X MIN. SOUTHERN PINE (G=0.55)	3/16" ITW TAPCON OR DEWALT ULTRACON+	1-3/8"	7/8"
2X MIN. SOUTHERN PINE (G=0.55)	#10 WOOD SCREW	1-3/8"	7/8"
16 GAUGE (0.060") MIN. STEEL STUD (33 KSI YIELD MIN)	#10-16 HILTI KWIK-FLEX OR ITW TEKS SELF-DRILLING SCREW	FULL THREAD THRU 0.060"	7/16"
1/8" ALUM. (6063-T5 MIN.) OR 1/8" STEEL (33 KSI MIN.)	#10 GRADE 5 SELF-TAPPING / DRILLING SCREW	FULL THREAD THRU 0.125"	7/16"

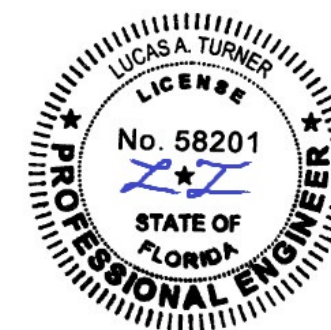


Pella Corporation
102 Main Street
Pella, IA 50219
www.pella.com

3" PVC MULL BAR NON-IMPACT

PROPRIETARY AND CONFIDENTIAL
THE INFORMATION CONTAINED IN THIS DRAWING IS THE SOLE PROPERTY OF CUSTOM WINDOW SYSTEMS, INC. ANY REPRODUCTION IN PART OR AS A WHOLE WITHOUT THE WRITTEN PERMISSION OF CUSTOM WINDOW SYSTEMS, INC IS PROHIBITED.

FLORIDA APPROVAL NO.:
33621

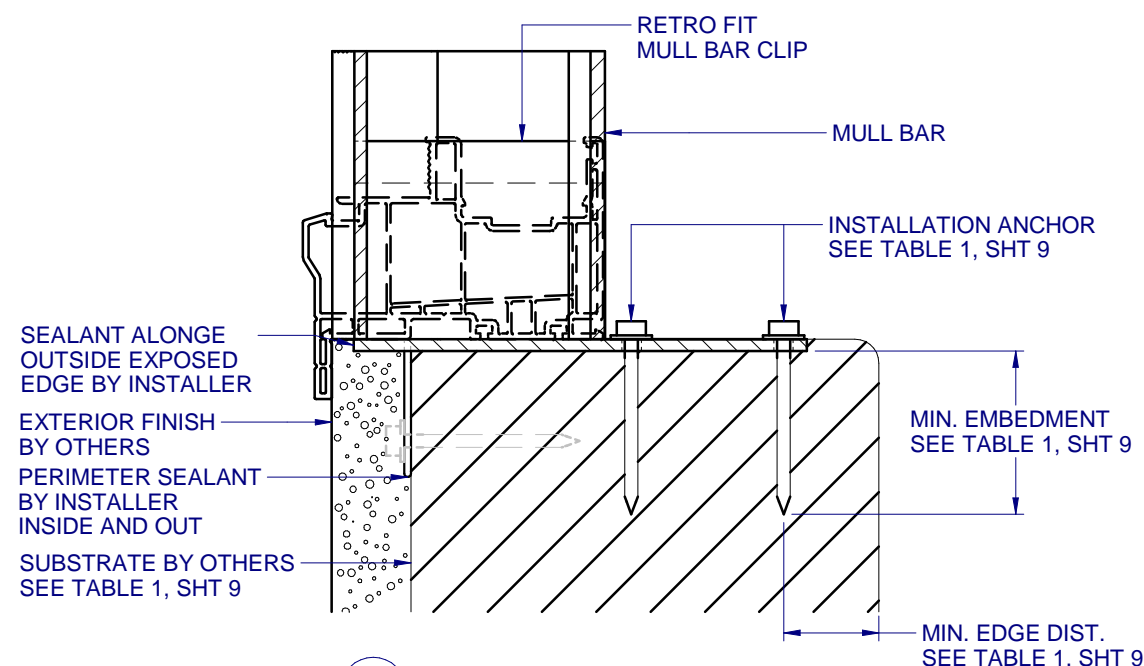


10/11/2023

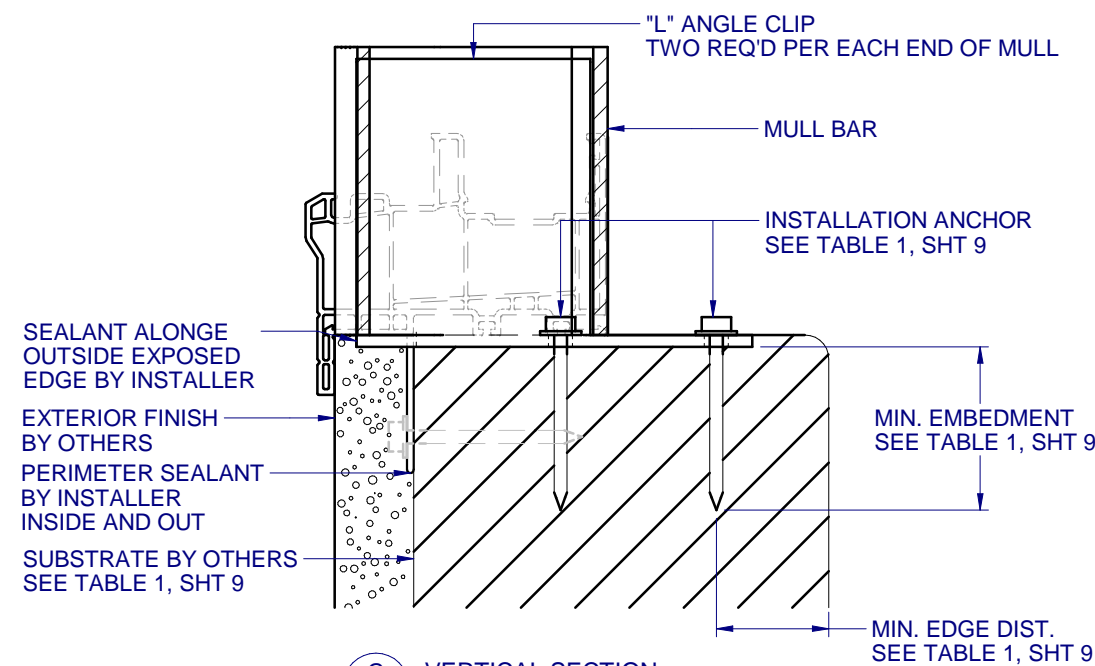
LUCAS A. TURNER, P.E.
FL PE # 58201
Turner Engineering & Consulting, Inc.
2428 Old Natchez Trc Trl
Camden, TN 38320
PH. 941-380-1574

SHEET DESCRIPTION:
INSTALLATION DETAILS
FIN

DRAWN BY: MCS	DATE: 10/3/2023
DWG #: PEL-430	REV.: A
SCALE: 1:2	SHEET 10 OF 10



F
10 VERTICAL SECTION
TYPICAL FIN (RETRO FIT) ANCHORAGE
HEAD AND JAMBS SIMILAR FOR FIN INSTALLATION



G
10 VERTICAL SECTION
TYPICAL FIN ("L" ANGLE) ANCHORAGE
HEAD AND JAMBS SIMILAR FOR FIN INSTALLATION

NOTES:

1. SILL STOOL MUST BE FLUSH AGAINST INSIDE OF MULLED WINDOWS AFTER INSTALLATION.
2. RECESS RETRO MULLION CLIP 3/8" MAX. FOR CLEARANCE OF WINDOW UNIT AS NEEDED.
3. FOUR (4) ANCHORS REQUIRED PER "T" MULL CLIP, SEE SHEET 2. TWO (2) or THREE (3) ANCHORS REQUIRED PER "L" MULL CLIP, SEE SHEETS 2-3.
4. SEAT MULLION TIGHT TO MULL CLIP.
5. FOR ANCHORAGE DETAILS FOR THE WINDOW, REFER TO THE WINDOW SPECIFIC INSTALLATION DETAILS.