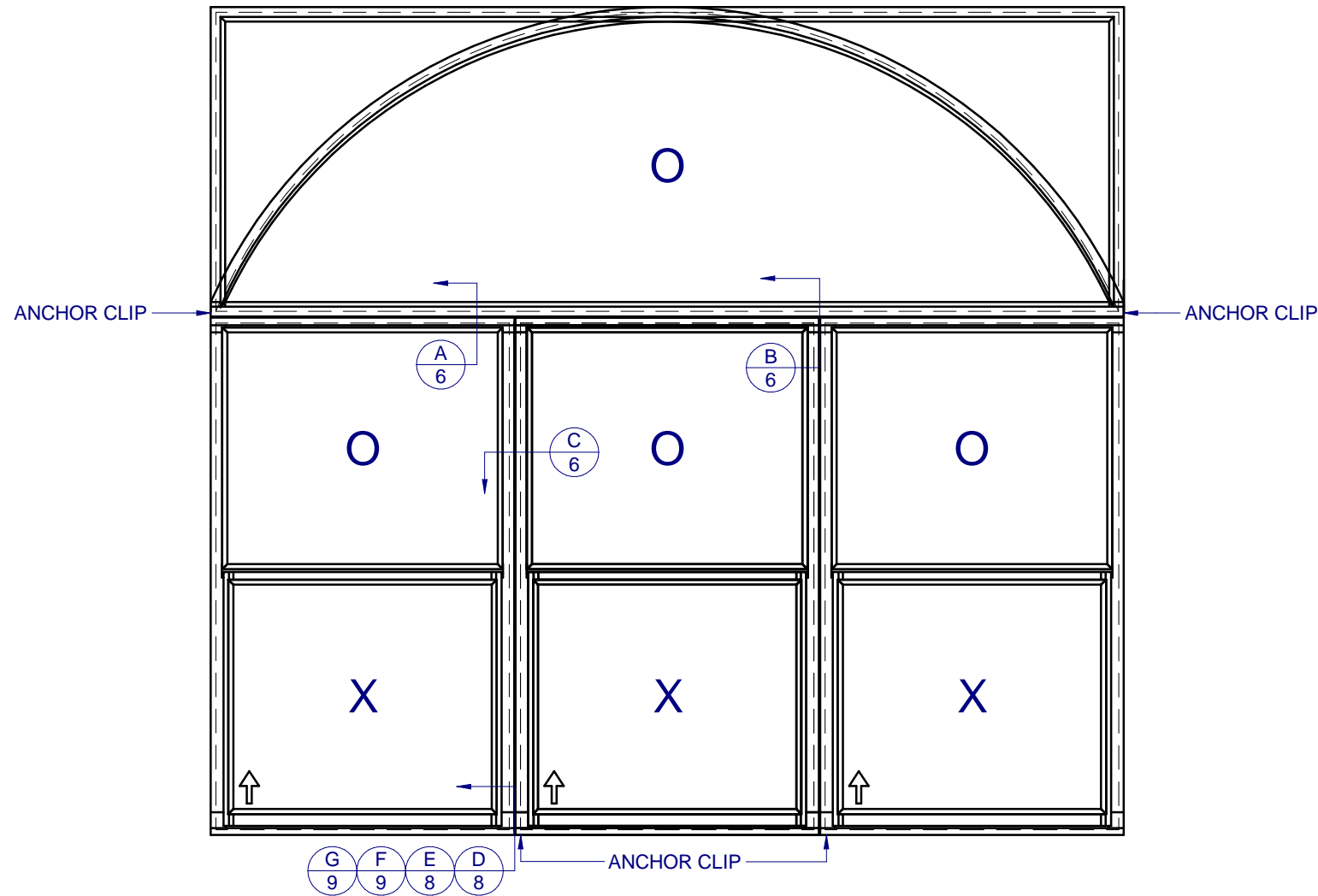


# 5-1/2" PVC MULL BAR - NON-IMPACT



EXAMPLE HORIZ./VERT. MULLION FOR SECTION VIEW ONLY

## GENERAL NOTES:

1. THE PRODUCT SHOWN HEREIN IS DESIGNED AND MANUFACTURED TO COMPLY WITH THE FLORIDA BUILDING CODE (FBC), CURRENT EDITION.
2. CONFIGURATIONS (SEE SHEET 2): VERTICAL OR HORIZONTAL.
3. SEE MULLION CHARTS FOR MAX. DESIGN PRESSURES AND LENGTH. (REFER TO SHEETS 2-3)
4. ANCHORAGE: THE 33 1/3% STRESS INCREASE HAS NOT BEEN USED IN THE DESIGN OF THIS PRODUCT. SEE SHEETS 8-9 FOR ANCHOR DETAILS. WINDLOAD DURATION FACTOR  $C_d=1.6$  WAS USED FOR WOOD ANCHOR CALCULATIONS.
5. NOT APPROVED FOR IMPACT RESISTANCE. IMPACT PROTECTIVE SYSTEM IS REQUIRED IN WIND BORNE DEBRIS REGION.
6. DESIGN PRESSURE OF MULLED UNITS SHALL BE CONTROLLED BY THE LESSER DESIGN PRESSURE OF THE MULLION OR THE INDIVIDUAL WINDOW UNITS.
7. DESIGN PRESSURES AND INSTALLATION DETAILS SHOWN IN THIS DOCUMENT APPLY ONLY TO THE MULLION. WINDOWS MUST BE APPROVED UNDER SEPARATE APPROVAL.
8. RESPONSIBILITY OF SELECTING FENESTRATION PRODUCTS TO MEET ANY APPLICABLE LOCAL LAWS, BUILDING CODES, ORDINANCES OR OTHER SAFETY REQUIREMENTS RESTS SOLELY WITH THE ARCHITECT, ENGINEER OF RECORD, BUILDING OWNER OR CONTRACTOR.
9. SINGLE UNITS TO BE MULLED ARE NOT LIMITED TO THOSE SHOWN IN THIS DRAWING. SINGLE UNITS TO BE MULLED TOGETHER MUST BE MANUFACTURED BY CUSTOM WINDOW SYSTEMS, INC. AND MUST BE MADE OUT OF VINYL PVC OR EXTRUDED ALUMINUM.
10. VERTICAL MULLED UNITS MAY BE MULLED INDEFINITELY AS LONG AS THE SINGLE UNIT WIDTH AND HEIGHT ARE NOT EXCEEDED, AND MULLIONS ARE ANCHORED AS SHOWN HERE IN.
11. HORIZONTAL MULLION SHALL EXTEND THE ENTIRE WIDTH OF THE MULLED UNIT. VERTICAL MULLION IS USED TO MULL SIDE BY SIDE UNITS TOGETHER.



## 5-1/2" PVC MULL BAR NON-IMPACT

PROPRIETARY AND CONFIDENTIAL  
 THE INFORMATION CONTAINED IN THIS DRAWING IS THE SOLE PROPERTY OF CUSTOM WINDOW SYSTEMS, INC. ANY REPRODUCTION IN PART OR AS A WHOLE WITHOUT THE WRITTEN PERMISSION OF CUSTOM WINDOW SYSTEMS, INC IS PROHIBITED.

FLORIDA APPROVAL NO.:  
33621



10/11/2023

LUCAS A. TURNER, P.E.  
 FL PE # 58201  
 Turner Engineering & Consulting, Inc.  
 2428 Old Natchez Trc Trl  
 Camden, TN 38320  
 PH. 941-380-1574

SHEET DESCRIPTION:  
**GENERAL NOTES AND ELEVATIONS**

DRAWN BY: MCS	DATE: 10/3/2023
DWG #: PEL-432	REV.: A
SCALE: 1:20	SHEET 1 OF 9

### TABLE OF CONTENTS

GENERAL NOTES & ELEVATIONS.....	1
DP CHARTS.....	2-3
BOM & EXTRUSIONS.....	4
EXTRUSIONS.....	5
SECTION VIEWS.....	6
CONFIGURATIONS & ANCHOR NOTES.....	7
INSTALLATION DETAILS.....	8-9

DESIGN PRESSURE CHART (PSF) FOR NON-IMPACT ALUMINUM 5-1/2" MULLION H-1760, HORIZONTAL OR VERTICAL, WITH 1899 CLIP (WHEN REQUIRED) ENGAGED INTO MULLION AND SECURED USING THREE (3) #10 SMS PER CLIP or WITH 1603 or 1767 CLIPS USING EIGHT (8) #10 SCREWS INTO WOOD or METAL, 3/16" ITW TAPCONS or DEWALT ULTRACON+ INTO SOLID CONCRETE w/WASHERS PER EACH END OF MULLION. HOLLOW or GROUT-FILLED BLOCK REQUIRES EIGHT (8) 1/4" DEWALT ULTRACON+ WITH THE 1767 CLIP.



**5-1/2" PVC  
MULL BAR  
NON-IMPACT**

PROPRIETARY AND CONFIDENTIAL  
THE INFORMATION CONTAINED IN THIS DRAWING IS THE SOLE PROPERTY OF CUSTOM WINDOW SYSTEMS, INC. ANY REPRODUCTION IN PART OR AS A WHOLE WITHOUT THE WRITTEN PERMISSION OF CUSTOM WINDOW SYSTEMS, INC IS PROHIBITED.

FLORIDA APPROVAL NO.:  
33621



10/11/2023

LUCAS A. TURNER, P.E.  
FL PE # 58201  
Turner Engineering & Consulting, Inc.  
2428 Old Natchez Trc Trl  
Camden, TN 38320  
PH. 941-380-1574

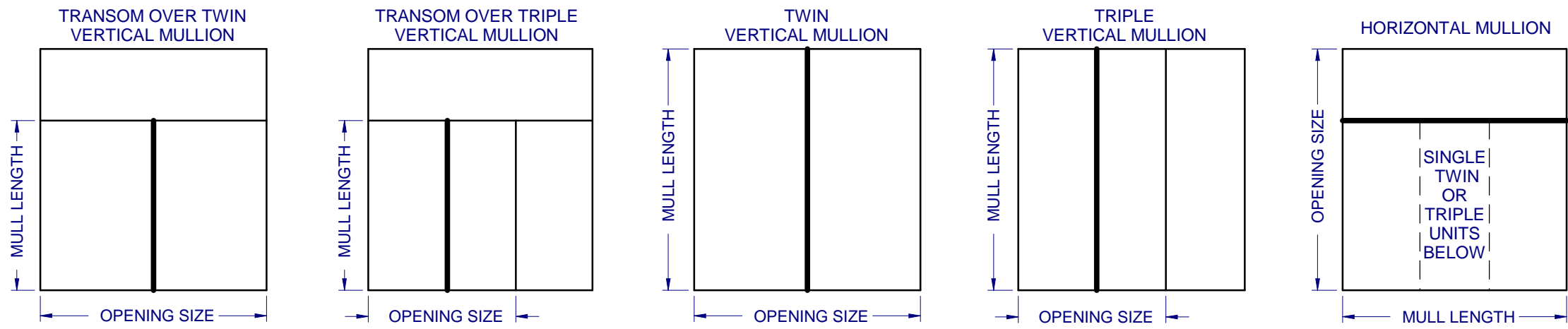
SHEET DESCRIPTION:  
DP CHART  
1899 - 3 ANCHORS  
1603/1767 - 8 ANCHORS

DRAWN BY: MCS	DATE: 10/3/2023
DWG #: PEL-432	REV.: A
SCALE: 1:1	SHEET 2 OF 9

MULL LENGTH (in.)	OPENING WIDTH (in.)															
	39	45	51	57	63	69	75	81	87	93	99	106 3/8	120	132	144	156
37	120	120	120	120	120	120	120	120	120	120	120	120	120	120	120	120
42 3/4	120	120	120	120	120	120	120	120	120	120	120	120	120	120	119	111
48 3/4	120	120	120	120	120	120	120	120	120	120	120	120	120	113	104	96
53 1/8	120	120	120	120	120	120	120	120	120	120	120	120	113	103	95	88
57	120	120	120	120	120	120	120	120	120	120	120	117	105	96	88	82
63	120	120	120	120	120	120	120	120	120	118	112	105	94	86	79	74
66 3/4	120	120	120	120	120	120	120	120	118	111	105	98	88	81	74	69
72	120	120	120	120	120	120	120	115	108	102	97	91	81	74	69	64
76	120	120	120	120	120	120	116	108	102	96	91	85	77	70	65	60
80	120	120	120	120	120	117	109	102	96	91	86	81	72	66	61	57
84	120	120	120	120	119	111	103	97	91	86	81	76	69	63	58	54
90	120	120	120	119	110	102	95	89	84	79	75	71	63	58	54	50
96	120	120	120	110	102	95	88	83	78	74	70	66	59	54	50	47
102	120	120	113	103	95	88	82	77	73	69	65	61	55	51	47	44
106 3/8	120	120	108	98	90	84	78	73	69	66	62	58	53	48	45	42
111 1/4	120	114	102	93	85	79	74	70	66	62	59	56	50	46	43	40
114	120	111	100	90	83	77	72	68	64	60	57	54	49	45	42	39
120	120	105	94	85	78	73	68	64	60	57	54	51	46	42	39	37
126	113	100	89	81	74	69	64	60	57	54	51	48	43	40	37	35
132	108	95	85	77	70	65	61	57	54	51	48	46	41	38	35	33
138	103	90	81	73	67	62	57	54	51	48	46	43	39	36	33	31
139	98	86	77	70	64	59	55	51	48	46	44	41	37	34	32	30
140	94	82	73	66	61	56	52	49	46	44	41	39	35	33	30	28
141	90	79	70	64	58	54	50	47	44	42	39	37	34	31	29	27
142	88	77	68	62	57	52	49	45	41	40	37	35	32	29	27	25

DP CHART IS FOR:  
NON-IMPACT 5-1/2" MULLION 1760, HORIZONTAL OR VERTICAL, USING EITHER (PER END):

- 1899 CLIPS  
- (3) #10 SMS
- 1603 or 1767 CLIPS  
- (8) #10 SCREWS INTO WOOD or METAL  
- (8) 3/16" ITW TAPCONS or DEWALT ULTRACON+ INTO SOLID CONCRETE or WOOD
- 1767 CLIPS  
- (8) 1/4" DEWALT ULTRACON+ INTO HOLLOW or GROUT-FILLED BLOCK

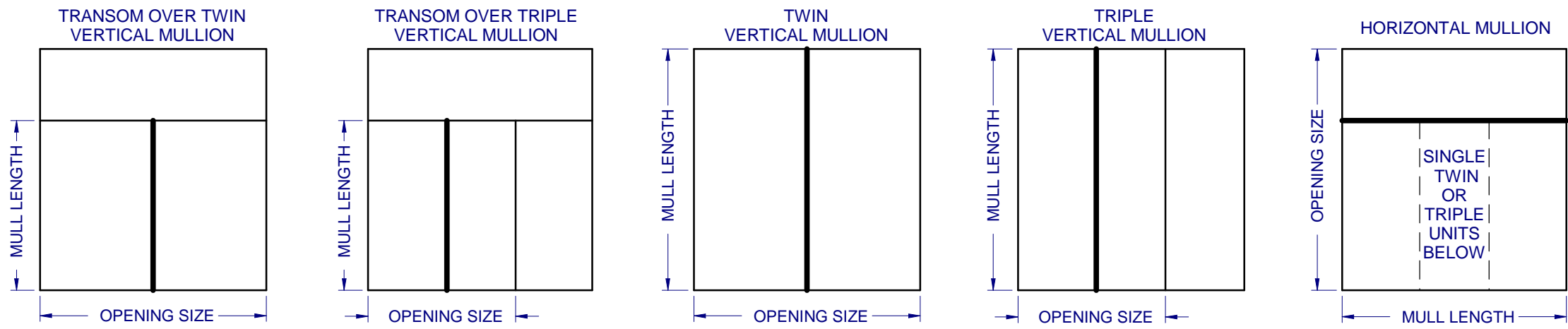


DESIGN PRESSURE CHART (PSF) FOR NON-IMPACT ALUMINUM 5-1/2" MULLION H-1760, HORIZONTAL OR VERTICAL, WITH 1899 CLIP ENGAGED INTO MULLION AND SECURED USING FOR (4) #10 SMS PER CLIP or WITH 1767 CLIPS USING TEN (10) #10 SCREWS INTO WOOD or METAL, 3/16" ITW TAPCONS or DEWALT ULTRACON+ INTO SOLID CONCRETE w/WASHERS PER EACH END OF MULLION. HOLLOW or GROUT-FILLED BLOCK REQUIRES TWELVE (12) 1/4" DEWALT ULTRACON+ WITH THE 1767 CLIP.

		OPENING WIDTH (in.)																
		39	45	51	57	63	69	75	81	87	93	99	106 3/8	120	132	144	156	
MULL LENGTH (in.)	37	120	120	120	120	120	120	120	120	120	120	120	120	120	120	120	120	
	42 3/4	120	120	120	120	120	120	120	120	120	120	120	120	120	120	120	120	
	48 3/4	120	120	120	120	120	120	120	120	120	120	120	120	120	120	120	120	
	53 1/8	120	120	120	120	120	120	120	120	120	120	120	120	120	120	120	120	
	57	120	120	120	120	120	120	120	120	120	120	120	120	120	120	120	118	
	63	120	120	120	120	120	120	120	120	120	120	120	120	120	120	114	106	
	66 3/4	120	120	120	120	120	120	120	120	120	120	120	120	120	117	107	100	
	72	120	120	120	120	120	120	120	120	120	120	120	120	120	117	107	99	92
	76	120	120	120	120	120	120	120	120	120	120	120	120	120	110	101	94	87
	80	120	120	120	120	120	120	120	120	120	120	120	120	116	104	96	88	82
	84	120	120	120	120	120	120	120	120	120	120	120	117	110	99	91	84	78
	90	120	120	120	120	120	120	120	120	120	120	115	108	102	92	84	78	72
	96	120	120	120	120	120	120	120	120	120	113	106	101	95	85	78	72	67
	102	120	120	120	120	120	120	119	111	105	99	94	88	80	73	68	63	63
	106 3/8	120	120	120	120	120	120	113	106	100	94	90	84	76	70	65	60	60
	111 1/4	120	120	120	120	120	114	107	100	95	90	85	80	72	66	62	57	57
	114	120	120	120	120	120	111	104	98	92	87	83	78	70	65	60	56	56
	120	120	120	120	120	113	105	98	92	87	82	78	73	66	61	57	53	53
	126	120	120	120	116	107	99	92	87	82	77	74	69	63	58	54	50	50
	132	120	120	120	111	101	94	87	82	77	72	68	64	57	52	48	44	44
138	120	120	111	99	90	83	77	71	67	63	59	56	50	45	42	39	39	
144	120	110	97	87	79	73	67	63	59	55	52	49	44	40	37	34	34	
150	112	97	86	77	70	64	59	55	52	49	46	43	39	35	32	30	30	
156	99	86	76	69	62	57	53	49	46	43	41	38	34	31	29	27	27	
160	92	80	71	64	58	53	49	45	42	40	38	35	32	29	27	25	25	

DP CHART IS FOR:  
NON-IMPACT 5-1/2" MULLION 1760, HORIZONTAL OR VERTICAL, USING EITHER (PER END):

- 1899 CLIPS
- (4) #10 SMS
- 1767 CLIPS
- (10) #10 SCREWS INTO WOOD or METAL
- (10) 3/16" ITW TAPCONS or DEWALT ULTRACON+ INTO SOLID CONCRETE or WOOD
- (12) 1/4" DEWALT ULTRACON+ INTO HOLLOW or GROUT-FILLED BLOCK



**5-1/2" PVC MULL BAR NON-IMPACT**

PROPRIETARY AND CONFIDENTIAL  
THE INFORMATION CONTAINED IN THIS DRAWING IS THE SOLE PROPERTY OF CUSTOM WINDOW SYSTEMS, INC. ANY REPRODUCTION IN PART OR AS A WHOLE WITHOUT THE WRITTEN PERMISSION OF CUSTOM WINDOW SYSTEMS, INC IS PROHIBITED.

FLORIDA APPROVAL NO.:  
33621



10/11/2023

LUCAS A. TURNER, P.E.  
FL PE # 58201  
Turner Engineering & Consulting, Inc.  
2428 Old Natchez Trc Trl  
Camden, TN 38320  
PH. 941-380-1574

SHEET DESCRIPTION:  
DP CHART  
1899 - 4 ANCHORS  
1767 - 10+ ANCHORS

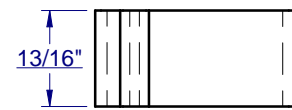
DRAWN BY: MCS  
DATE: 10/3/2023

DWG #: PEL-432  
REV.: A

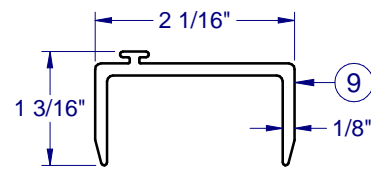
SCALE: 1:1  
SHEET 3 OF 9

ITEM	PART #	DESCRIPTION	MATERIAL
1	F-1767-003	CLIP, NEW CONST., FLANGE/BOX	ALUMINUM
2	F-1767-006	CLIP, FIN CONST.	ALUMINUM
3	F-1767-008	CLIP, RETRO CONST. FLANGE/BOX	ALUMINUM
4	H-1760	2" x 5-1/2" MULL BAR	ALUMINUM
5		#10 OR #12 HEX WASHER HEAD TEK SCREW *(see note below)	STEEL
7	S-1895	DRIP EDGE	ALUMINUM
8	S-1896	FLANGE ADAPATOR, 5-1/2" PVC MULL	ALUMINUM
9	S-1897	3" MULL CLIP ADAPTOR, HORZ./VERT.	ALUMINUM
10	S-1898	4" MULL CLIP ADAPTOR, HORZ./VERT.	ALUMINUM
11	S-1899	5" MULL CLIP ADAPTOR, HORZ./VERT.	ALUMINUM
12	S-6076	2" MULL BAR COVER FIN/BOX EXTERIOR	PVC
13	F-1603-001	CLIP, NEW CONST.	ALUMINUM
14	F-1603-003	CLIP, FIN CONST.	ALUMINUM
15		#10 HEX WASHER HEAD TEK SCREW	STEEL

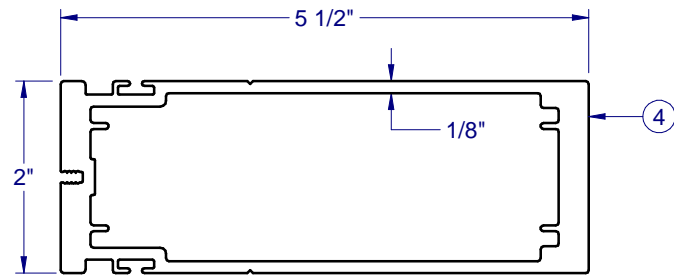
\* USE WOOD SCREW SIZE (#10 OR #12), SPECIFIED IN WINDOW UNIT APPROVAL DOCUMENT



TOP VIEW



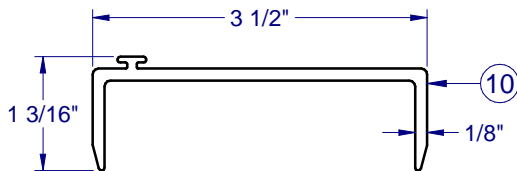
3" H/V MULL CLIP - 1897



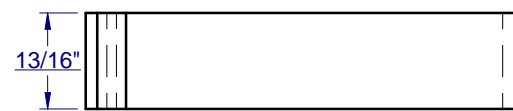
5 1/2" MULL BAR - 1760



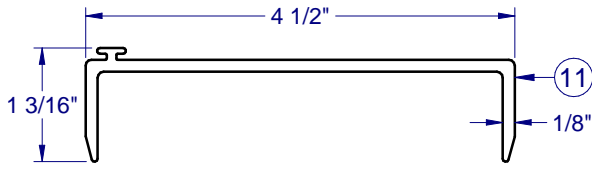
TOP VIEW



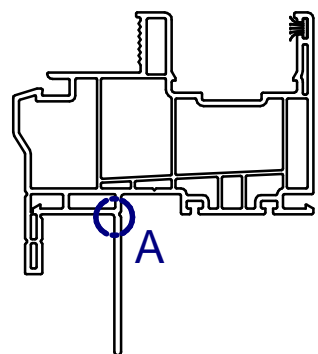
4" H/V MULL CLIP - 1898



TOP VIEW

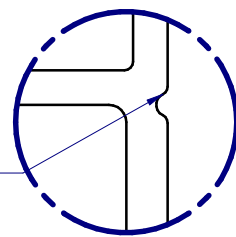


5 1/2" H/V MULL CLIP - 1899



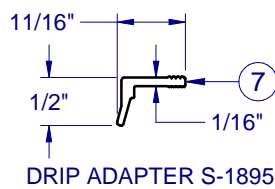
TYP. FIN FRAME

SCORE, BEND AND BREAK TO REMOVE FIN FOR FRAME ATTACHMENT TO MULL BAR

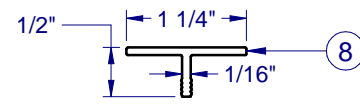


DETAIL A  
3:1

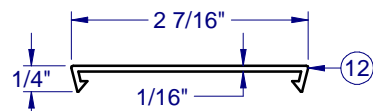
NOTE: ALL EXTRUSIONS ARE ALUMINUM 6063-T6 UNLESS OTHERWISE NOTED.



DRIP ADAPTER S-1895

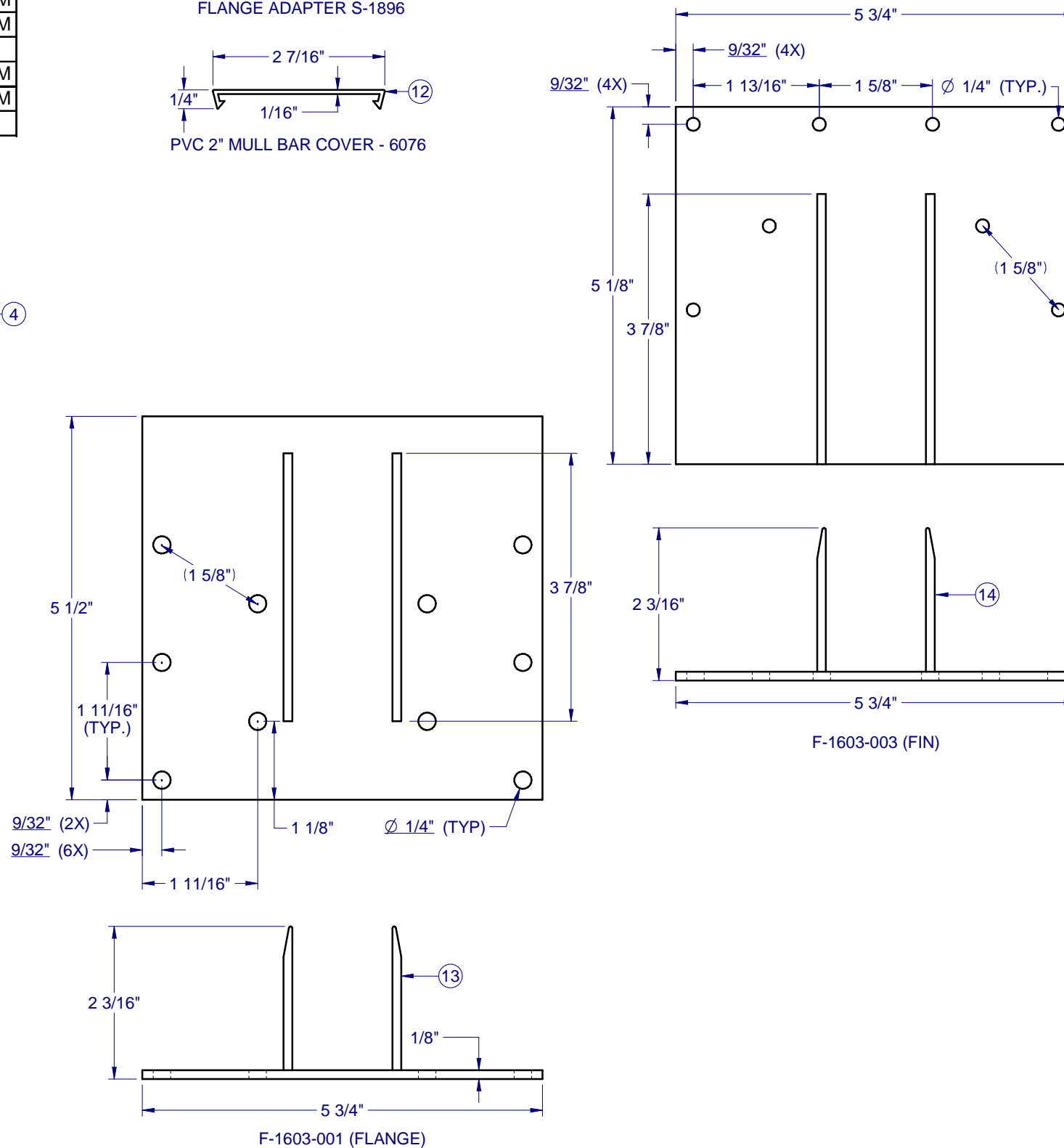


FLANGE ADAPTER S-1896



PVC 2" MULL BAR COVER - 6076

FRAME TYPE	OPENING	"T" MULLBAR CLIP (F-1522-XXX)	"L" MULLBAR CLIP (F-1767-XXX)
FLANGE	NEW	NOT RECOMMENDED	F-1767-003 (L&R)
	RETRO	F-1603-001	F-1767-008 (L&R)
FIN	NEW	F-1603-003	F-1767-006 (L&R)
	RETRO	F-1603-003	F-1767-006 (L&R)
BOX	NEW	NOT RECOMMENDED	F-1767-003 (L&R)
	RETRO	F-1603-001	F-1767-008 (L&R)



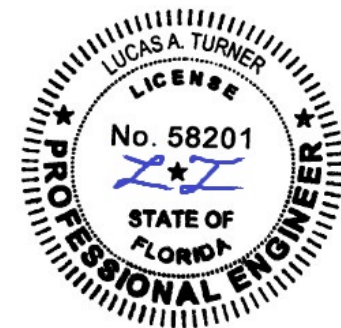
Pella Corporation  
102 Main Street  
Pella, IA 50219  
www.pella.com

## 5-1/2" PVC MULL BAR NON-IMPACT

PROPRIETARY AND CONFIDENTIAL  
THE INFORMATION CONTAINED IN THIS DRAWING IS THE SOLE PROPERTY OF CUSTOM WINDOW SYSTEMS, INC. ANY REPRODUCTION IN PART OR AS A WHOLE WITHOUT THE WRITTEN PERMISSION OF CUSTOM WINDOW SYSTEMS, INC IS PROHIBITED.

FLORIDA APPROVAL NO.:

33621



10/11/2023

LUCAS A. TURNER, P.E.  
FL PE # 58201  
Turner Engineering & Consulting, Inc.  
2428 Old Natchez Trc Trl  
Camden, TN 38320  
PH. 941-380-1574

SHEET DESCRIPTION:

BOM AND EXTRUSIONS

DRAWN BY:	DATE:
MCS	10/3/2023
DWG #:	REV.:
PEL-432	A
SCALE:	SHEET
1:2	4 OF 9



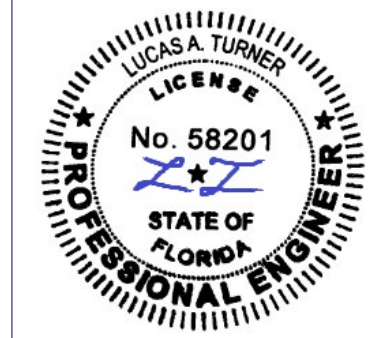
FRAME TYPE	OPENING	"T" MULLBAR CLIP (F-1522-XXX)	"L" MULLBAR CLIP (F-1767-XXX)
FLANGE	NEW	NOT RECOMMENDED	F-1767-003 (L&R)
	RETRO	F-1603-001	F-1767-008 (L&R)
FIN	NEW	F-1603-003	F-1767-006 (L&R)
	RETRO	F-1603-003	F-1767-006 (L&R)
BOX	NEW	NOT RECOMMENDED	F-1767-003 (L&R)
	RETRO	F-1603-001	F-1767-008 (L&R)



**5-1/2" PVC MULL BAR NON-IMPACT**

PROPRIETARY AND CONFIDENTIAL  
 THE INFORMATION CONTAINED IN THIS DRAWING IS THE SOLE PROPERTY OF CUSTOM WINDOW SYSTEMS, INC. ANY REPRODUCTION IN PART OR AS A WHOLE WITHOUT THE WRITTEN PERMISSION OF CUSTOM WINDOW SYSTEMS, INC IS PROHIBITED.

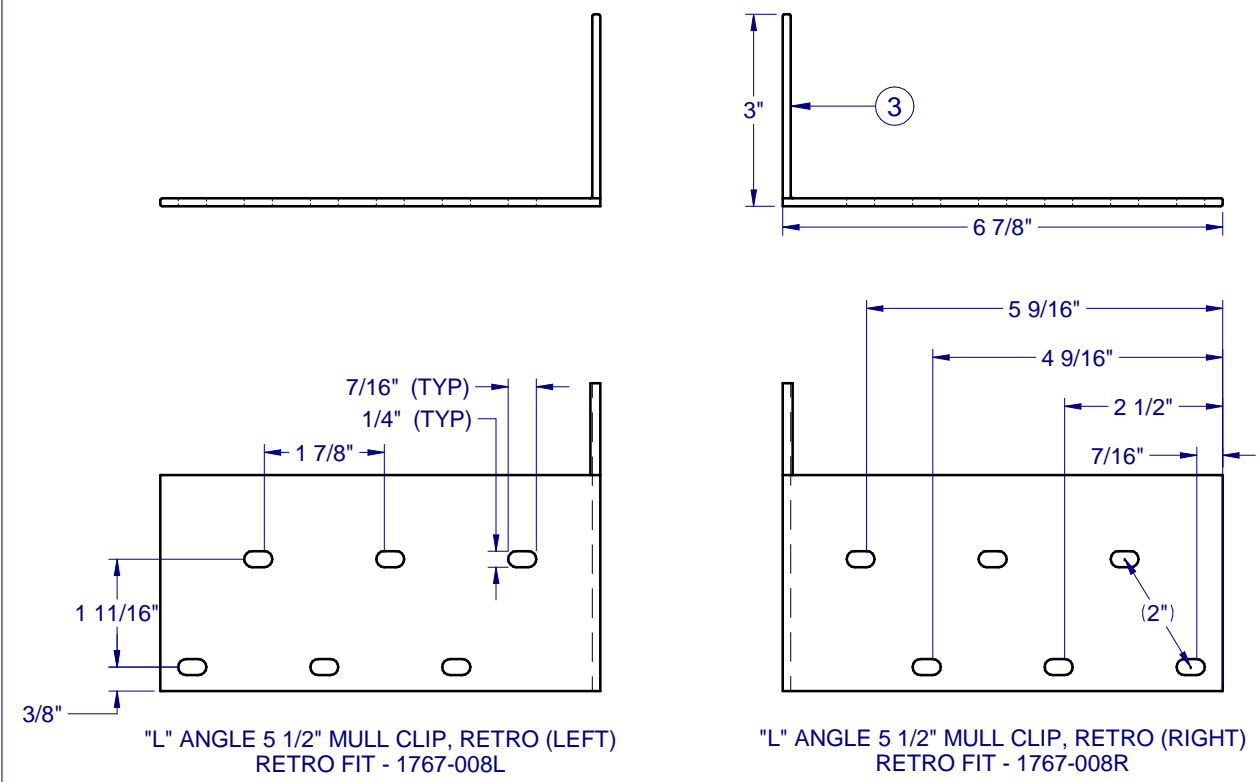
FLORIDA APPROVAL NO.:  
33621



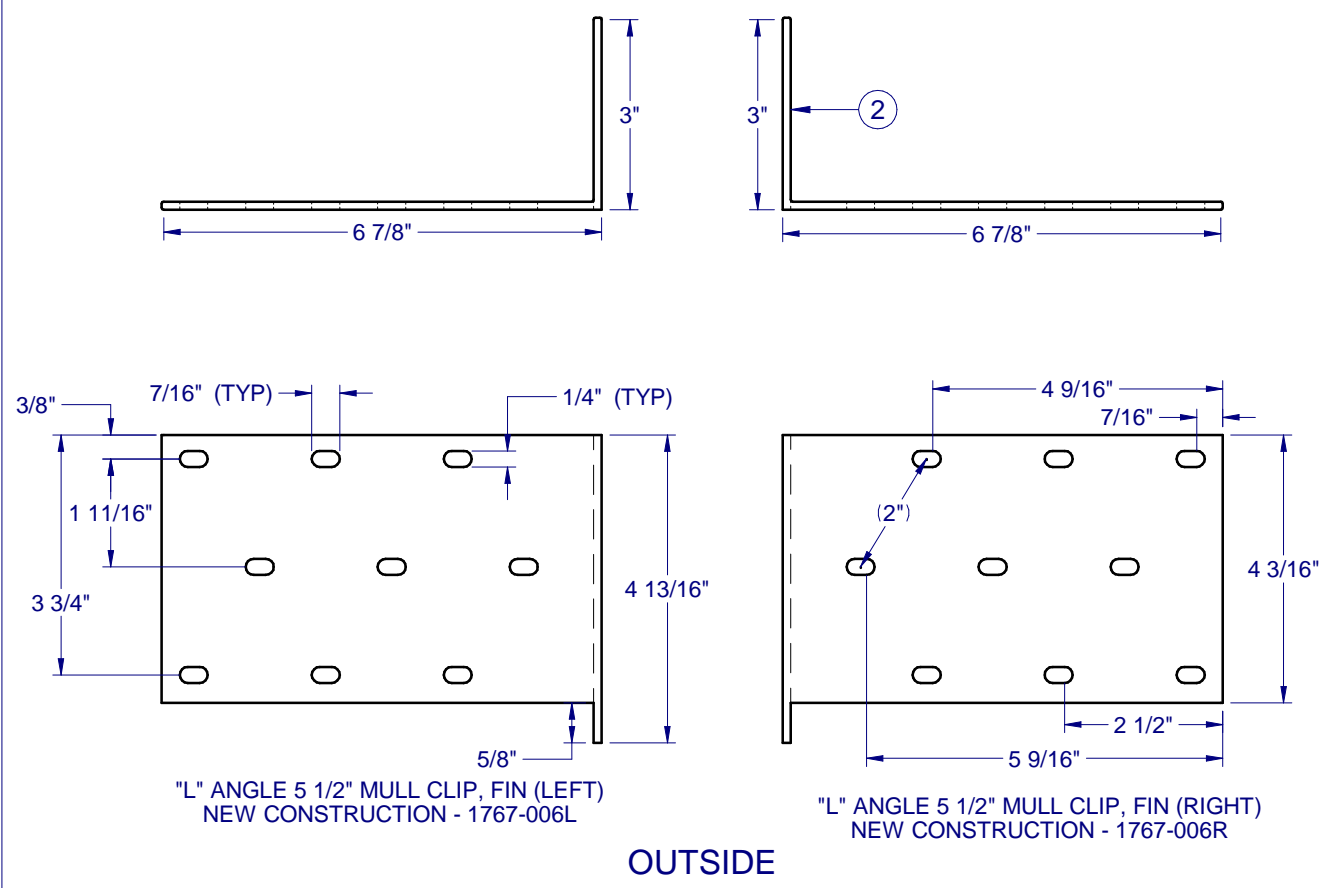
10/11/2023  
 LUCAS A. TURNER, P.E.  
 FL PE # 58201  
 Turner Engineering & Consulting, Inc.  
 2428 Old Natchez Trc Trl  
 Camden, TN 38320  
 PH. 941-380-1574

SHEET DESCRIPTION:  
**EXTRUSIONS**

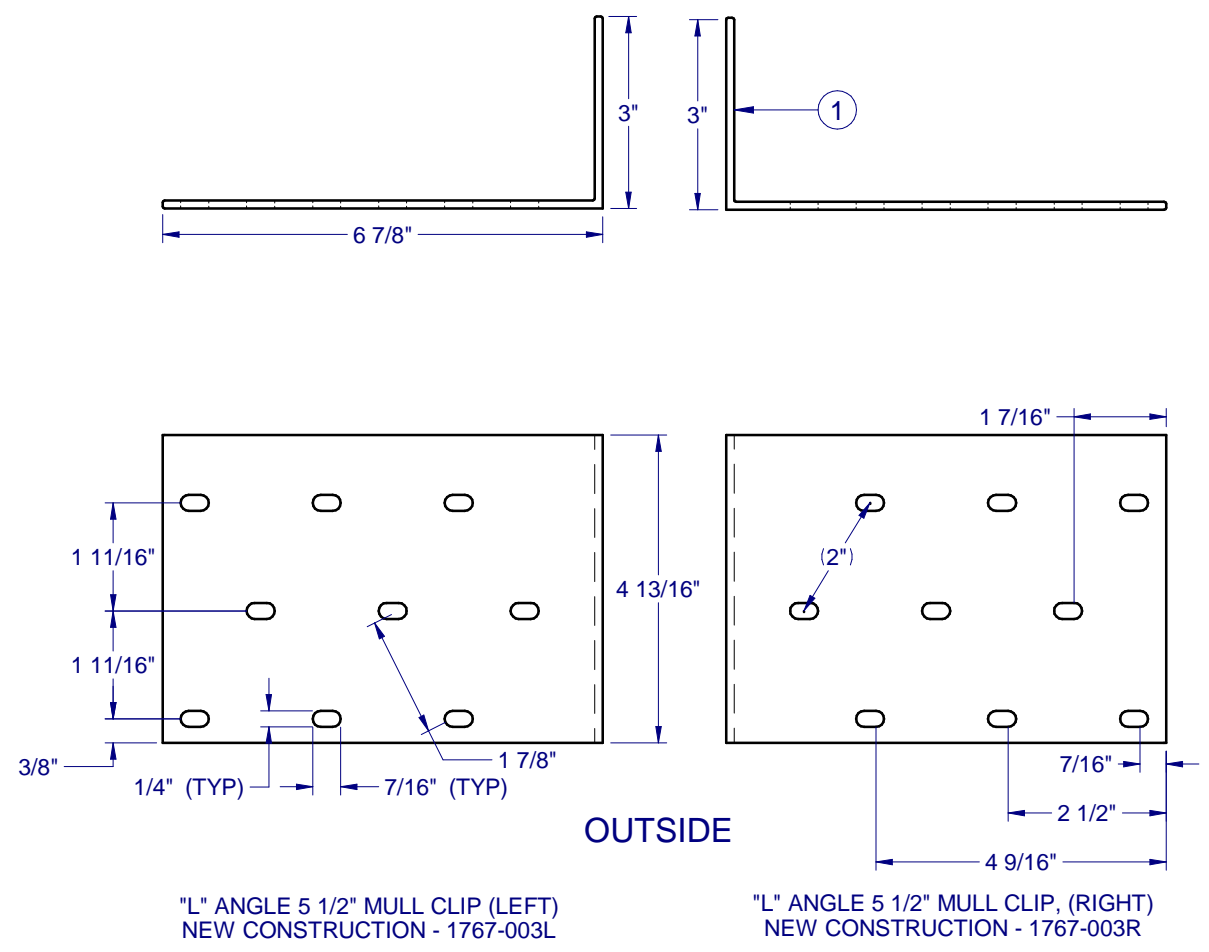
DRAWN BY:	DATE:
MCS	10/3/2023
DWG #:	REV.:
PEL-432	A
SCALE:	SHEET
1:3	5 OF 9



OUTSIDE



OUTSIDE

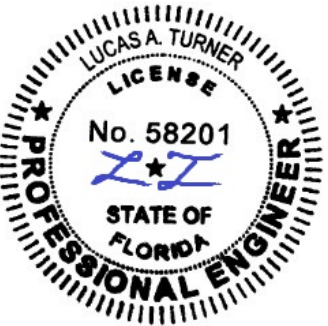


OUTSIDE

**5-1/2" PVC  
 MULL BAR  
 NON-IMPACT**

PROPRIETARY AND CONFIDENTIAL  
 THE INFORMATION CONTAINED IN  
 THIS DRAWING IS THE SOLE  
 PROPERTY OF CUSTOM WINDOW  
 SYSTEMS, INC. ANY  
 REPRODUCTION IN PART OR AS A  
 WHOLE WITHOUT THE WRITTEN  
 PERMISSION OF CUSTOM WINDOW  
 SYSTEMS, INC IS PROHIBITED.

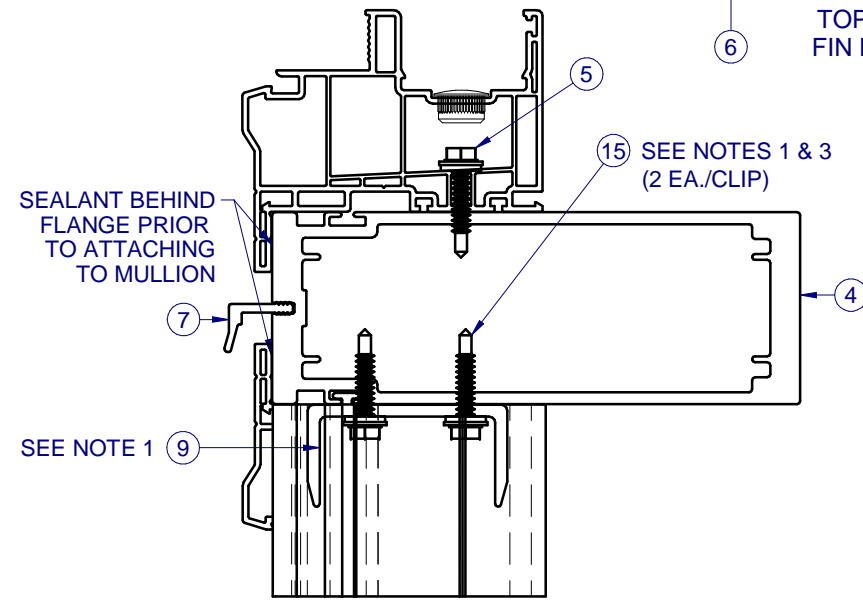
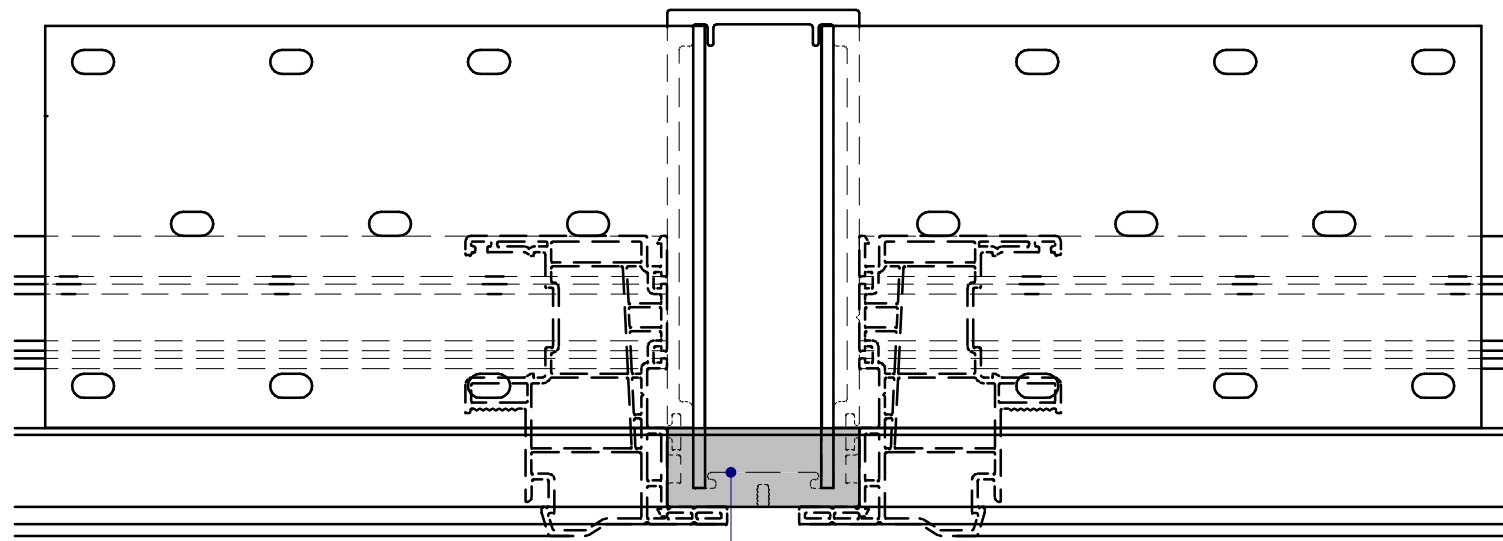
FLORIDA APPROVAL NO.:  
 33621



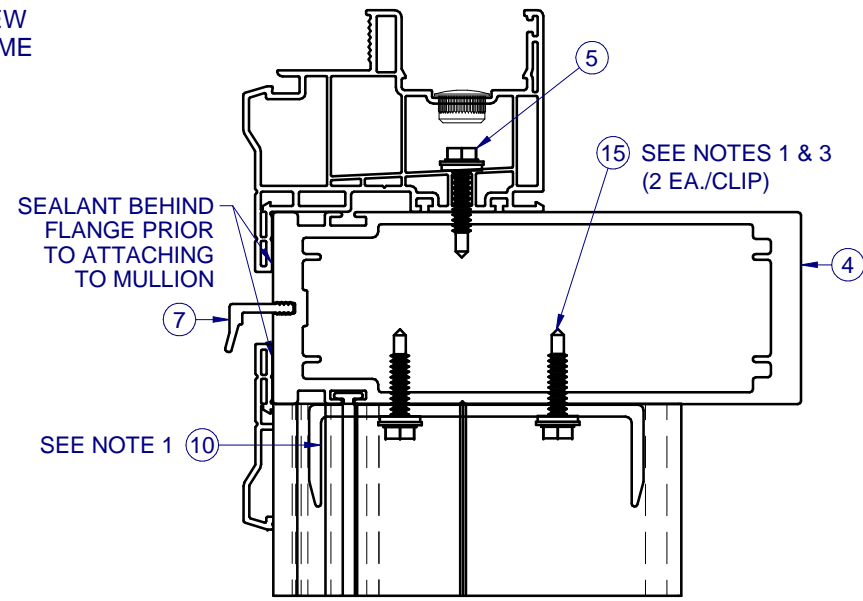
10/11/2023  
 LUCAS A. TURNER, P.E.  
 FL PE # 58201  
 Turner Engineering &  
 Consulting, Inc.  
 2428 Old Natchez Trc Trl  
 Camden, TN 38320  
 PH. 941-380-1574

SHEET DESCRIPTION:  
**SECTION VIEWS**

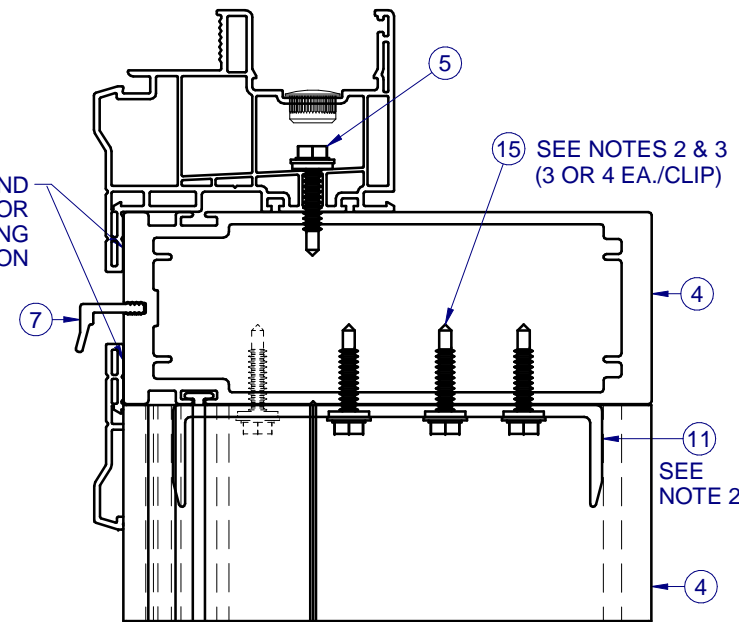
DRAWN BY:	DATE:
MCS	10/3/2023
DWG #:	REV.:
PEL-432	A
SCALE:	SHEET
1:2	6 OF 9



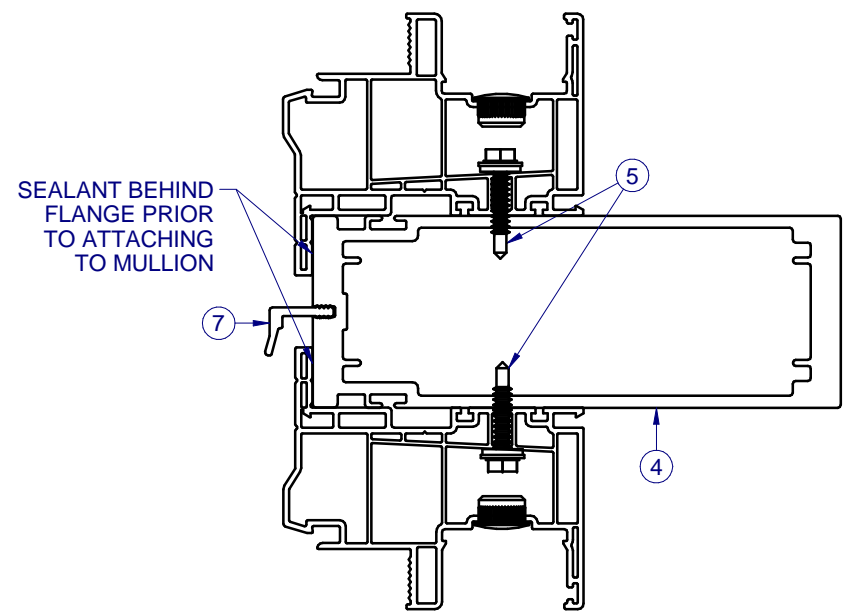
**A** HORIZONTAL SECTION  
**6** 5 1/2" & 3" INTERSECTION



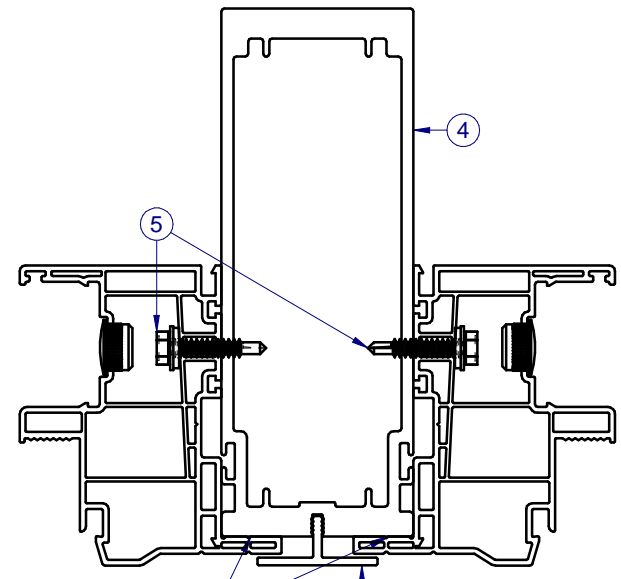
**A** HORIZONTAL SECTION  
**6** 5 1/2" & 4" INTERSECTION



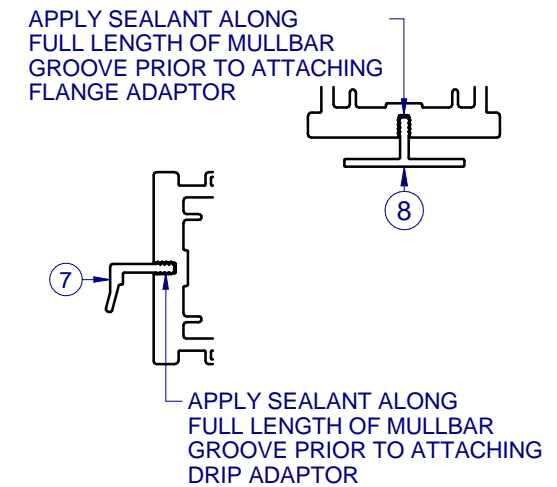
**A** HORIZONTAL SECTION  
**6** 5 1/2" & 5 1/2" INTERSECTION



**B** HORIZONTAL SECTION  
**6** 5 1/2" MULL BAR



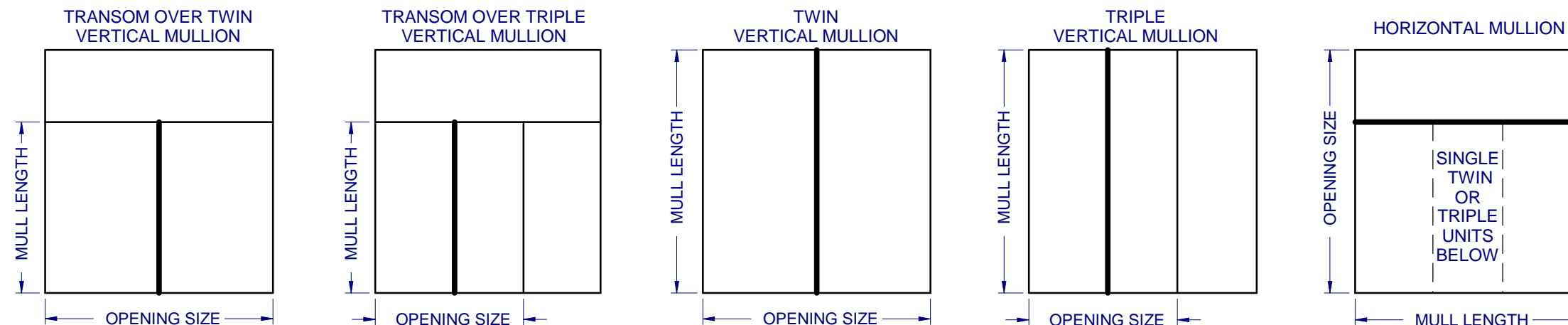
**C** VERTICAL SECTION  
**6** 5 1/2" MULL BAR



**NOTES:**

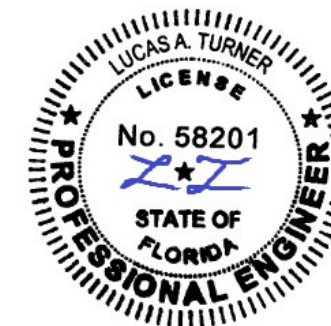
- 3" & 4" VERTICAL MULLS:** SLIDE CLIP INTO LOCATION AND SECURE WITH ITEM 15 (QTY 2), AS SHOWN ABOVE.
- 5 1/2" VERTICAL MULL:** SLIDE CLIP INTO LOCATION AND SECURE WITH ITEM 15, AS SHOWN ABOVE, WITH QTY OF FASTENERS AS DETERMINED FROM DP CHARTS, SHEETS 2 & 3.
- PRE-DRILLED HOLES (THRU H/V CLIPS 1897, 1898, OR 1899), BY THE INSTALLER, MAY BE LOCATED AS NEEDED WHILE MAINTAINING A MINIMUM CLIP EDGE DISTANCE OF 9/32" AND A MINIMUM CENTER TO CENTER SPACING OF 1/2".
- THE ABOVE SECTIONS APPLY TO ALL MULLBAR-TO-MULLBAR CONNECTIONS, REGARDLESS OF ORIENTATION (i.e., HORIZONTAL OR VERTICAL). THE FULL LENGTH MULL MUST BE THE SAME DEPTH, OR GREATER, THAN THE INTERSECTING MULL.

**5-1/2" PVC  
MULL BAR  
NON-IMPACT**



PROPRIETARY AND CONFIDENTIAL  
THE INFORMATION CONTAINED IN THIS DRAWING IS THE SOLE PROPERTY OF CUSTOM WINDOW SYSTEMS, INC. ANY REPRODUCTION IN PART OR AS A WHOLE WITHOUT THE WRITTEN PERMISSION OF CUSTOM WINDOW SYSTEMS, INC IS PROHIBITED.

FLORIDA APPROVAL NO.:  
33621



10/11/2023

LUCAS A. TURNER, P.E.  
FL PE # 58201  
Turner Engineering & Consulting, Inc.  
2428 Old Natchez Trc Trl  
Camden, TN 38320  
PH. 941-380-1574

SHEET DESCRIPTION:  
**CONFIGURATIONS AND ANCHORAGE NOTES**

DRAWN BY: MCS	DATE: 10/3/2023
DWG #: PEL-432	REV.: A
SCALE: 1:1	SHEET 7 OF 9

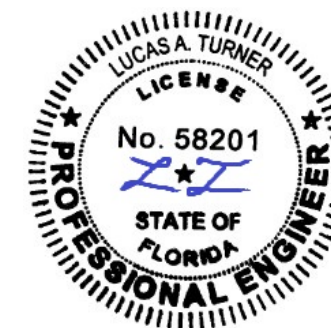
NOTES:

1. AT MULLION LOCATION, ATTACH WINDOW UNIT(S) TO MULLBAR THRU FRAME AS SPECIFIED IN WINDOW UNIT APPROVAL DOCUMENTS. IF ALUMINUM ATTACHMENT IS NOT SPECIFIED IN THE WINDOW UNIT APPROVAL DOCUMENTS, FOLLOW THE ANCHOR SPACING AS INDICATED IN THE WINDOW APPROVAL FOR ATTACHMENT TO WOOD SUBSTRATE, USING A HEX WASHER HEAD TEK SCREW OF THE SAME SIZE (#10 OR #12) AS THE WOOD SCREW INDICATED IN THE WINDOW APPROVAL. TEK SCREWS SHALL BE LONG ENOUGH TO ENSURE THREE (3) THREADS OF PENETRATION BEYOND THE INSIDE WALL OF MULLBAR.
2. MULL CLIP INSTALLATION ANCHOR TYPE, SIZE, SPACING AND EMBEDMENT SHALL BE AS SPECIFIED IN THESE DRAWINGS, SEE TABLE 1, SHEET 8.
3. ALL MULL CLIP INSTALLATION ANCHORS MUST BE MADE OF OR PROTECTED WITH A CORROSION RESISTANT MATERIAL OR COATING. DISSIMILAR METALS OR MATERIALS IN CONTACT WITH PRESSURE TREATED WOOD MUST BE PROTECTED TO PREVENT REACTION.
4. INSTALLATION ANCHORS SHALL BE IN ACCORDANCE WITH ANCHOR MANUFACTURER'S INSTALLATION INSTRUCTIONS, AND ANCHORS SHALL NOT BE USED IN SUBSTRATES WITH STRENGTHS LESS THAN THE MINIMUM SPECIFIED IN TABLE 1, SHEET 8.
5. ANCHOR EMBEDMENT TO SUBSTRATE SHALL BE BEYOND WALL DRESSING OR STUCCO. FOR CONCRETE/CMU OPENINGS, EMBEDMENT SHALL BE BEYOND WOOD BUCKS, IF USED, INTO SUBSTRATE - 1X BUCKS ARE OPTIONAL.
6. A MINIMUM CENTER-TO-CENTER SPACING SHALL BE MAINTAINED AS INDICATED BY THE PRE-DRILLED HOLES AS SHOWN IN THE CLIP LAYOUTS ON SHEETS 4-5.
7. WOOD OR MASONRY OPENINGS, BUCKS AND BUCK FASTENERS SHALL BE PROPERLY DESIGNED BY THE ARCHITECT OR ENGINEER OF RECORD AND INSTALLED TO TRANSFER WIND LOADS TO THE STRUCTURE. SUBSTRATES SHALL MEET THE MINIMUM STRENGTH REQUIREMENTS AS SHOWN IN TABLE1, SHEET 8. CONCRETE AND MASONRY SUBSTRATES MAY NOT BE CRACKED.
8. SEALING AND FLASHING STRATEGIES FOR OVERALL WATER RESISTANCE OF INSTALLATION SHALL BE DONE BY OTHERS FOLLOWING THE CURRENT VERSION OF THE REFERENCE DOCUMENTS: FMA/AAMA 100(FIN WINDOWS), FMA/AAMA 200(FLANGE WINDOWS), FMA/WDMA 250(BOX WINDOWS), FMA/AAMA/WDMA 300(EXTERIOR DOORS)

**5-1/2" PVC  
 MULL BAR  
 NON-IMPACT**

PROPRIETARY AND CONFIDENTIAL  
 THE INFORMATION CONTAINED IN  
 THIS DRAWING IS THE SOLE  
 PROPERTY OF CUSTOM WINDOW  
 SYSTEMS, INC. ANY  
 REPRODUCTION IN PART OR AS A  
 WHOLE WITHOUT THE WRITTEN  
 PERMISSION OF CUSTOM WINDOW  
 SYSTEMS, INC IS PROHIBITED.

FLORIDA APPROVAL NO.:  
 33621

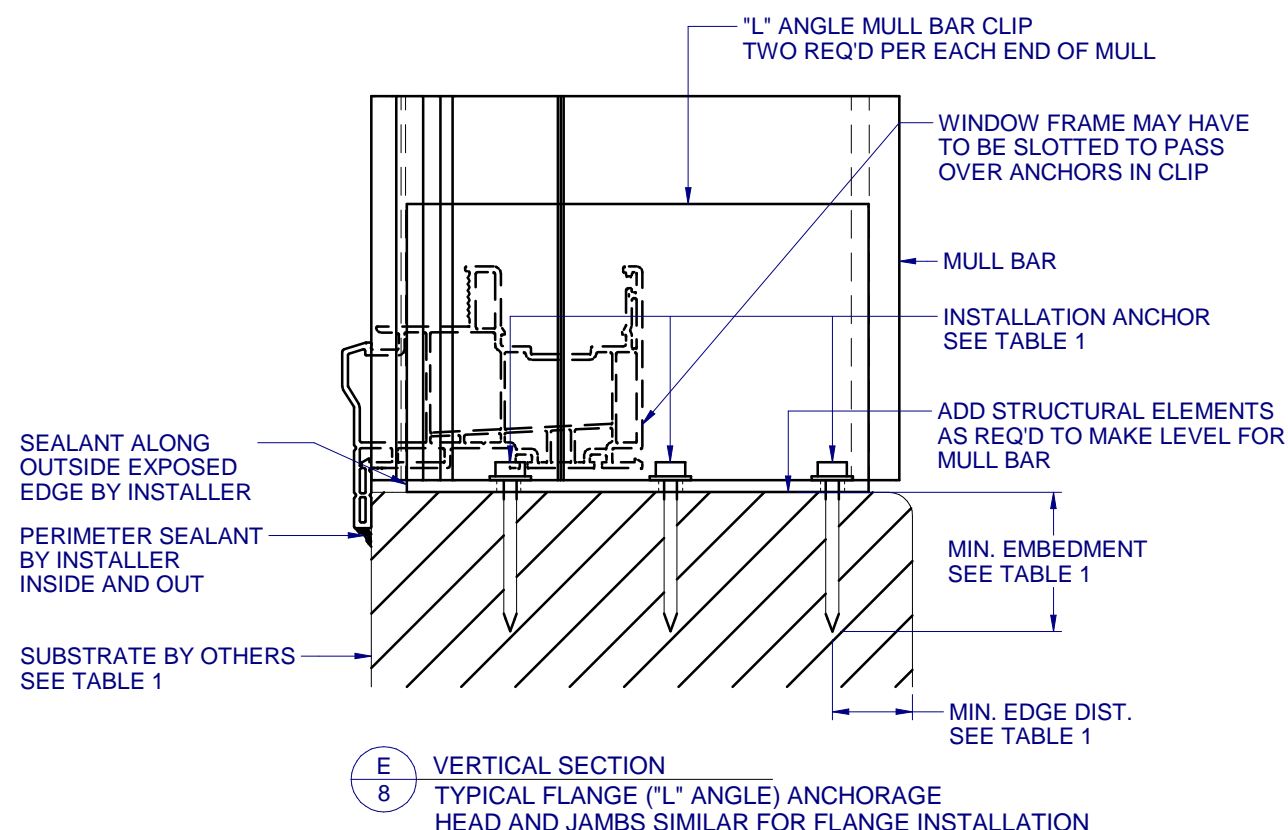
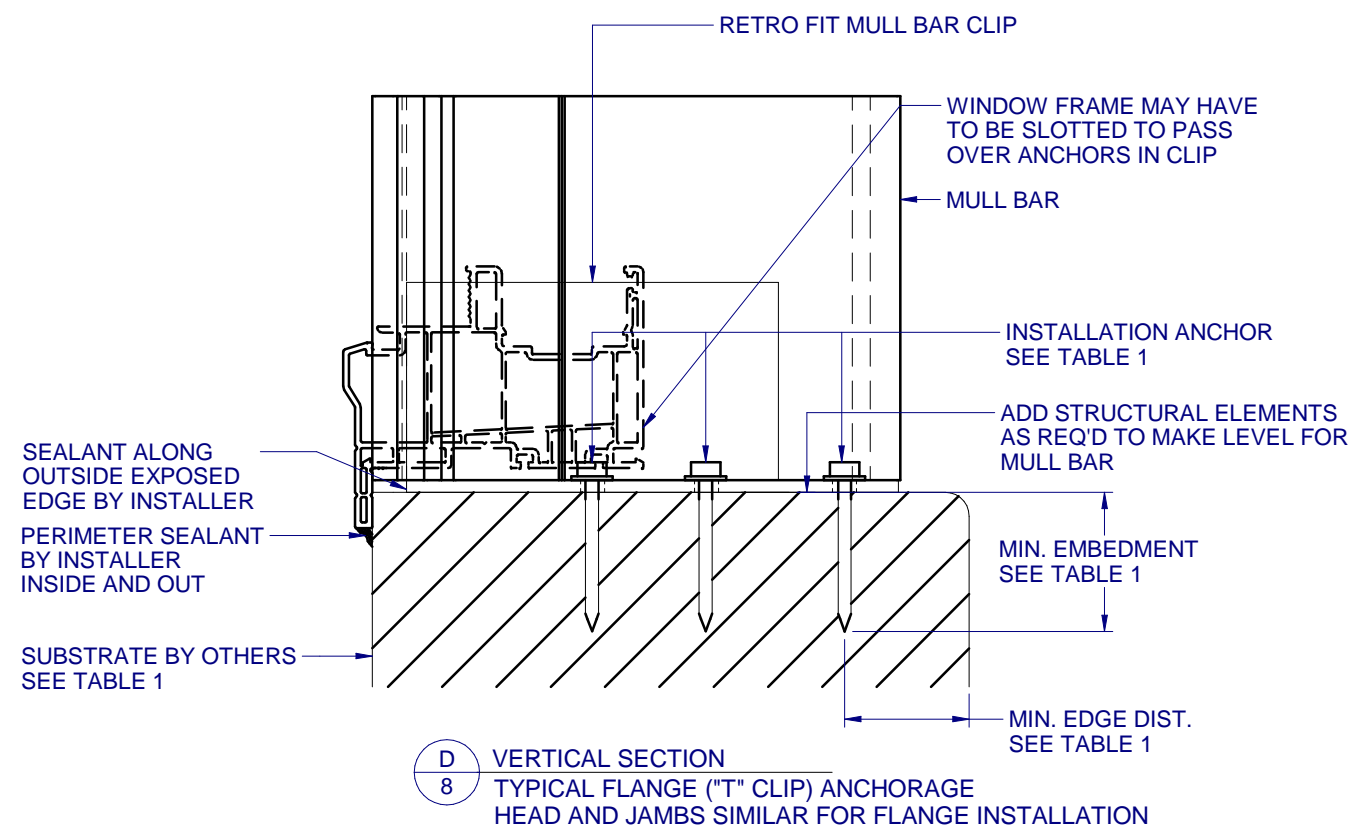


10/11/2023

LUCAS A. TURNER, P.E.  
 FL PE # 58201  
 Turner Engineering &  
 Consulting, Inc.  
 2428 Old Natchez Trc Trl  
 Camden, TN 38320  
 PH. 941-380-1574

SHEET DESCRIPTION:  
**INSTALLATION DETAILS  
 FLANGE**

DRAWN BY: <b>MCS</b>	DATE: <b>10/3/2023</b>
DWG #: <b>PEL-432</b>	REV.: <b>A</b>
SCALE: <b>1:2</b>	<b>SHEET 8 OF 9</b>



NOTES:

1. BOX FRAME MULL INSTALLATION SIMILAR TO FLANGE FRAME.
2. SILL STOOL MUST BE FLUSH AGAINST INSIDE OF MULLED WINDOWS AFTER INSTALLATION.
3. RECESS RETRO MULLION CLIP 3/8" MAX. FOR CLEARANCE OF WINDOW UNIT AS NEEDED.
4. EIGHT (8) ANCHORS REQUIRED PER "T" MULL CLIP, SEE SHEET 2. FOUR (4), FIVE (5) or SIX (6) ANCHORS REQUIRED PER "L" MULL CLIP, SEE SHEETS 2-3.
5. SEAT MULLION TIGHT TO MULL CLIP.
6. FOR ANCHORAGE DETAILS FOR THE WINDOW, REFER TO THE WINDOW SPECIFIC INSTALLATION DETAILS.

**TABLE 1: APPROVED MULL CLIP INSTALLATION FASTENERS**

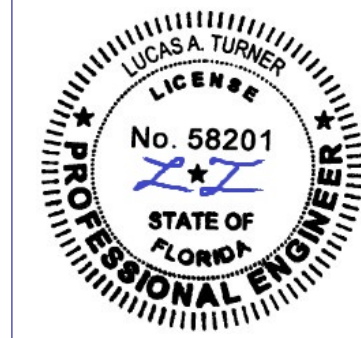
SUBSTRATE TYPE	ANCHOR TYPE	MIN. EMBEDMENT	MIN. EDGE DIST.
CONCRETE (2.0 KSI MIN.)	3/16" ITW TAPCON	1	3"
CONCRETE (3.05 KSI MIN.)	3/16" DEWALT ULTRACON+	1-3/4"	1"
HOLLOW or GROUT-FILLED CMU (ASTM C-90)	1/4" DEWALT ULTRACON+	1-1/4"	2-1/2"
2X MIN. SOUTHERN PINE (G=0.55)	3/16" ITW TAPCON OR DEWALT ULTRACON+	1-3/8"	7/8"
2X MIN. SOUTHERN PINE (G=0.55)	#10 WOOD SCREW	1-3/8"	7/8"
16 GAUGE (0.060") MIN. STEEL STUD (33 KSI YIELD MIN)	#10-16 HILTI KWIK-FLEX OR ITW TEKS SELF-DRILLING SCREW	FULL THREAD THRU 0.060"	7/16"
1/8" ALUM. (6063-T5 MIN.) OR 1/8" STEEL (33 KSI MIN.)	#10 GRADE 5 SELF-TAPPING / DRILLING SCREW	FULL THREAD THRU 0.125"	7/16"



**5-1/2" PVC  
 MULL BAR  
 NON-IMPACT**

PROPRIETARY AND CONFIDENTIAL  
 THE INFORMATION CONTAINED IN  
 THIS DRAWING IS THE SOLE  
 PROPERTY OF CUSTOM WINDOW  
 SYSTEMS, INC. ANY  
 REPRODUCTION IN PART OR AS A  
 WHOLE WITHOUT THE WRITTEN  
 PERMISSION OF CUSTOM WINDOW  
 SYSTEMS, INC IS PROHIBITED.

FLORIDA APPROVAL NO.:  
 33621

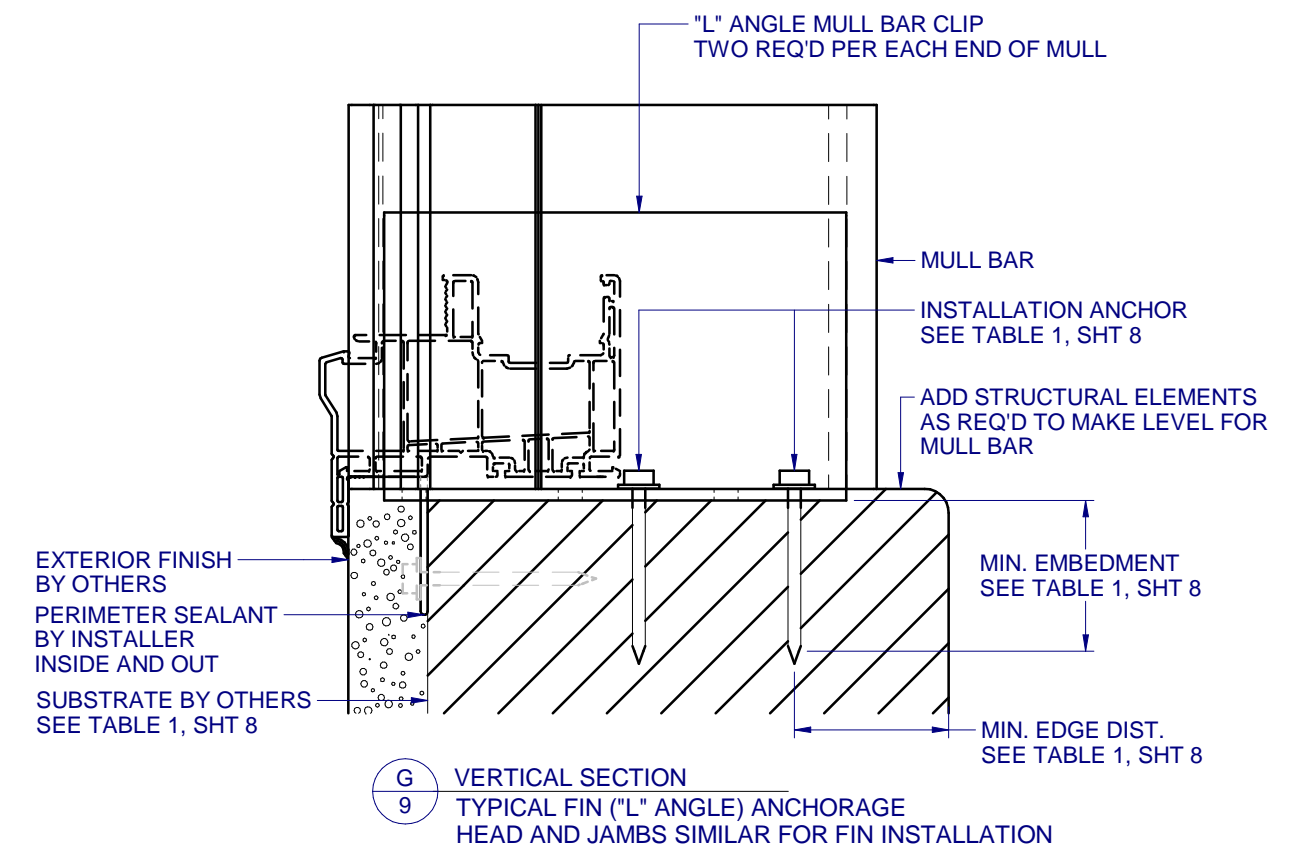
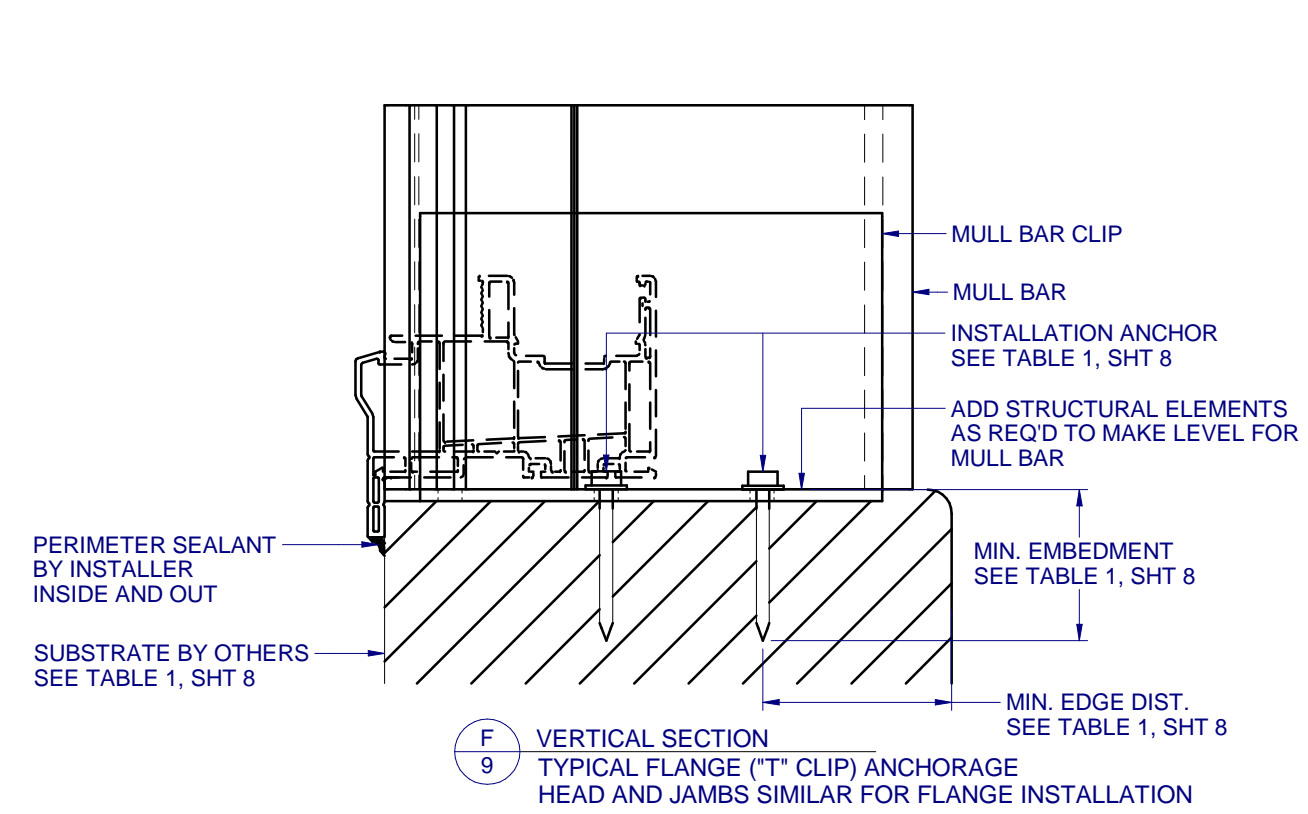


10/11/2023

LUCAS A. TURNER, P.E.  
 FL PE # 58201  
 Turner Engineering &  
 Consulting, Inc.  
 2428 Old Natchez Trc Trl  
 Camden, TN 38320  
 PH. 941-380-1574

SHEET DESCRIPTION:  
**INSTALLATION DETAILS  
 FIN**

DRAWN BY: <b>MCS</b>	DATE: <b>10/3/2023</b>
DWG #: <b>PEL-432</b>	REV.: <b>A</b>
SCALE: <b>1:2</b>	<b>SHEET 9 OF 9</b>



**NOTES:**

1. SILL STOOL MUST BE FLUSH AGAINST INSIDE OF MULLED WINDOWS AFTER INSTALLATION.
2. RECESS RETRO MULLION CLIP 3/8" MAX. FOR CLEARANCE OF WINDOW UNIT AS NEEDED.
3. EIGHT (8) ANCHORS REQUIRED PER "T" MULL CLIP, SEE SHEET 2. FOUR (4), FIVE (5) or SIX (6) ANCHORS REQUIRED PER "L" MULL CLIP, SEE SHEETS 2-3.
4. SEAT MULLION TIGHT TO MULL CLIP.
5. FOR ANCHORAGE DETAILS FOR THE WINDOW, REFER TO THE WINDOW SPECIFIC INSTALLATION DETAILS.