

REVISIONS			
REV	DESCRIPTION	DATE	APPROVED
B	ADDED MULTILITE PANELS, TRIMS & FRAME	08/31/2021	R.L.

NOTES:

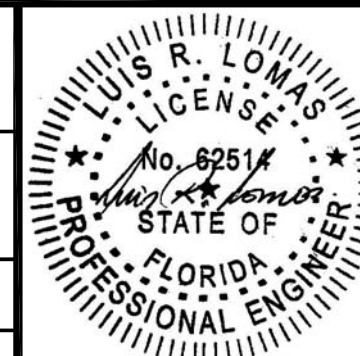
1. THE PRODUCT SHOWN HEREIN IS DESIGNED AND MANUFACTURED TO COMPLY WITH REQUIREMENTS OF THE FLORIDA BUILDING CODE.
2. WOOD FRAMING AND MASONRY OPENING TO BE DESIGNED AND ANCHORED TO PROPERLY TRANSFER ALL LOADS TO STRUCTURE. FRAMING AND MASONRY OPENING IS THE RESPONSIBILITY OF THE ARCHITECT OR ENGINEER OF RECORD.
3. 1X BUCK OVER MASONRY/CONCRETE IS OPTIONAL.
4. WHERE SHIM OR BUCK THICKNESS IS LESS THAN 1-1/2" UNITS MUST BE ANCHORED THROUGH THE FRAME IN ACCORDANCE WITH MANUFACTURER'S PUBLISHED INSTALLATION INSTRUCTIONS. ANCHORS SHALL BE SECURELY FASTENED DIRECTLY INTO MASONRY, CONCRETE OR OTHER STRUCTURAL SUBSTRATE MATERIAL.
5. WHERE WOOD BUCK THICKNESS IS 1-1/2" OR GREATER, BUCK SHALL BE SECURELY FASTENED TO MASONRY, CONCRETE OR OTHER STRUCTURAL SUBSTRATE. UNITS MAY BE ANCHORED THROUGH FRAME TO SECURED WOOD BUCK IN ACCORDANCE WITH MANUFACTURER'S PUBLISHED INSTALLATION INSTRUCTIONS.
6. WHERE 1X BUCK IS NOT USED DISSIMILAR MATERIALS MUST BE SEPARATED WITH APPROVED COATING OR MEMBRANE. SELECTION OF COATING OR MEMBRANE IS THE RESPONSIBILITY OF THE ARCHITECT OR ENGINEER OF RECORD.
7. BUCKS SHALL EXTEND BEYOND UNIT FRAME INTERIOR FACE SO THAT FULL FRAME SUPPORT IS PROVIDED.
8. SHIM AS REQUIRED AT EACH ANCHOR LOCATION WITH LOAD BEARING SHIM. SHIM WHERE SPACE OF 1/16" OR GREATER OCCURS. MAXIMUM ALLOWABLE SHIM STACK TO BE 1/4".
9. SHIMS SHALL BE LOCATED, APPLIED AND MADE FROM MATERIALS AND THICKNESS CAPABLE OF SUSTAINING APPLICABLE LOADS.
10. WIND LOAD DURATION FACTOR Cd=1.6 WAS USED FOR WOOD ANCHOR CALCULATIONS.
11. FRAME MATERIAL: PAINTED WOOD PINE.
12. UNITS MUST BE GLAZED PER ASTM E1300, SEE SHEET 20 FOR GLASS DETAILS.
13. APPROVED IMPACT PROTECTIVE SYSTEM IS NOT REQUIRED FOR THIS PRODUCT IN WIND BORNE DEBRIS REGIONS.
14. FOR ANCHORING THROUGH FRAME INTO WOOD FRAMING OR 2X BUCK USE #8 WOOD SCREWS WITH SUFFICIENT LENGTH TO ACHIEVE A 1 1/4" MINIMUM EMBEDMENT INTO SUBSTRATE. LOCATE ANCHORS AS SHOWN IN ELEVATIONS AND INSTALLATION DETAILS.

15. FOR ANCHORING THROUGH FRAME INTO MASONRY/CONCRETE USE 3/16" TAPCONS WITH SUFFICIENT LENGTH TO ACHIEVE A 1 3/4" MINIMUM EMBEDMENT INTO SUBSTRATE WITH 2" MINIMUM EDGE DISTANCE. LOCATE ANCHORS AS SHOWN IN ELEVATIONS AND INSTALLATION DETAILS.
16. FOR ANCHORING THROUGH FRAME INTO METAL STRUCTURE USE #8 SMS OR SELF DRILLING SCREWS WITH SUFFICIENT LENGTH TO ACHIEVE 3 THREADS MINIMUM BEYOND STRUCTURE INTERIOR WALL. LOCATE ANCHORS AS SHOWN IN ELEVATIONS AND INSTALLATION DETAILS.
17. ALL FASTENERS TO BE CORROSION RESISTANT.
18. INSTALLATION ANCHORS SHALL BE INSTALLED IN ACCORDANCE WITH ANCHOR MANUFACTURER'S INSTALLATION INSTRUCTIONS AND ANCHORS SHALL NOT BE USED IN SUBSTRATES WITH STRENGTHS LESS THAN THE MINIMUM STRENGTH SPECIFIED BELOW:
 - A. WOOD: MINIMUM SPECIFIC GRAVITY OF G=0.42
 - B. CONCRETE: MINIMUM COMPRESSIVE STRENGTH OF 2,000 PSI.
 - C. MASONRY: GROUT/FILLED BLOCK PER ASTM C90 WITH Fm=2,000PSI MINIMUM.
 - D. METAL STRUCTURE: STEEL 18GA (.048") FY=33KSI/FU=52KSI OR ALUMINUM 6063-T5 FU=30KSI .048" THICK MINIMUM

TABLE OF CONTENTS	
SHEET NO.	DESCRIPTION
1	NOTES
2 - 3	ELEVATION
4 - 19	INSTALLATION DETAILS
20	GLAZING DETAILS
21	COMPONENTS

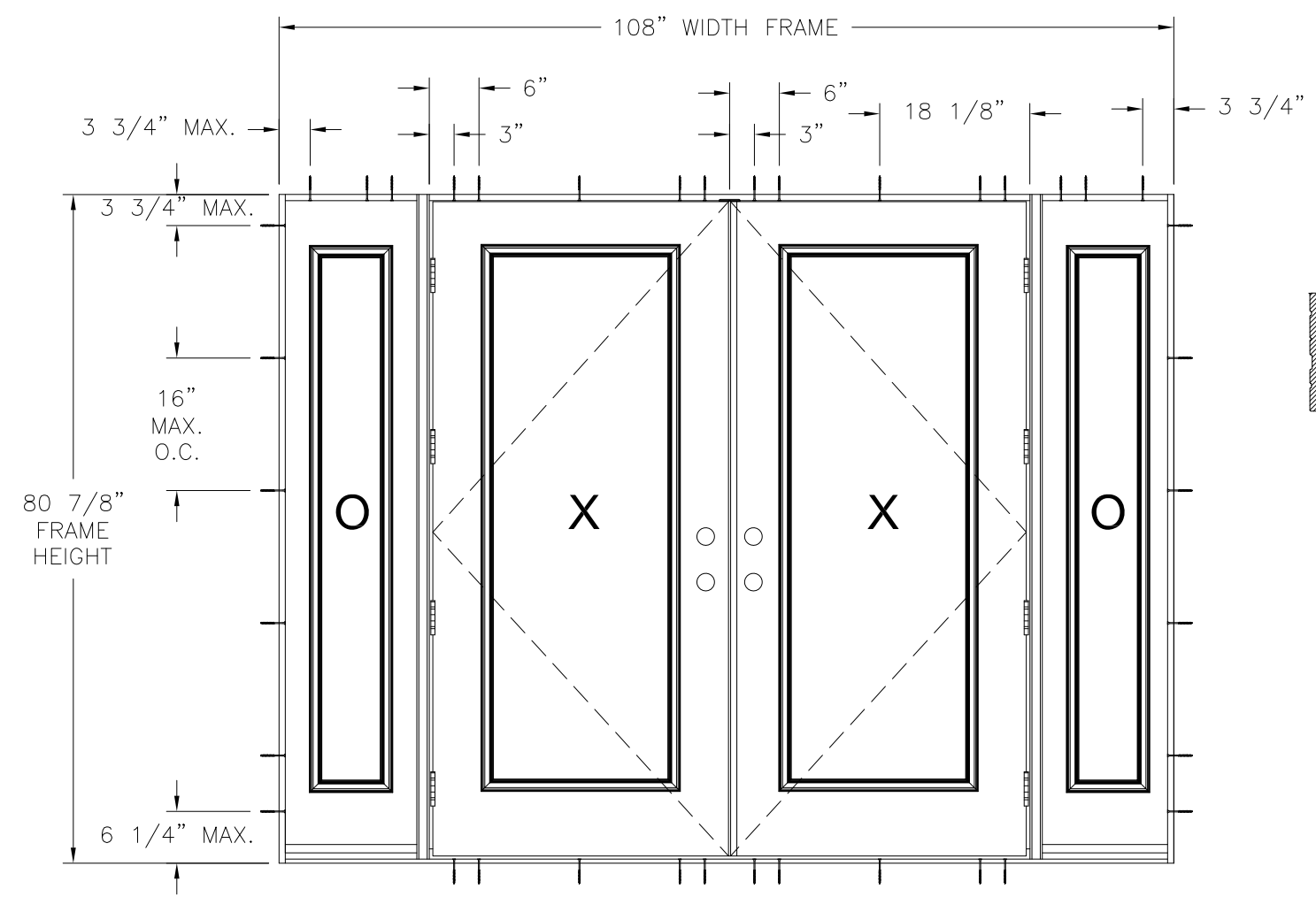
PROVIA, LLC. 2150 STATE ROUTE 39 WEST SUGARCREEK, OH 44681		
SIGNET OUTSWING ENTRY DOOR SYSTEM 6'8" W/PLUGLESS TRIM - IMPACT NOTES		
DRAWN: A.R.	DWG NO. 08-03624	REV B
SCALE NTS	DATE 10/13/2020	SHEET 1 OF 21
L. ROBERTO LOMAS P.E. 1432 WOODFORD RD LEWISVILLE, NC 27023 434-688-0609 rllomas@lrlomaspe.com		

SIGNED: 09/09/2021



Luis R. Lomas P.E.
FL No.: 62514

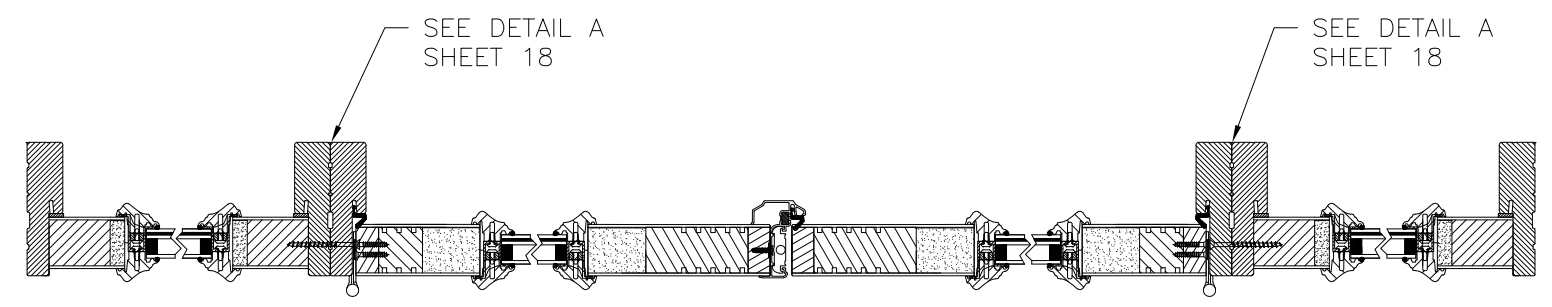
REVISIONS			
REV	DESCRIPTION	DATE	APPROVED
B	ADDED MULTILITE PANELS, TRIMS & FRAME	08/31/2021	R.L.



SIGNET OS DOOR WITH PLUGLESS TRIM
EXTERIOR VIEW

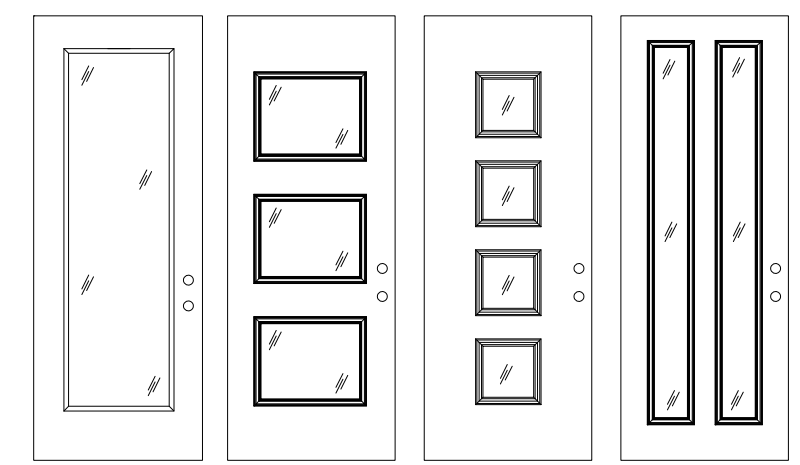
DESIGN PRESSURE RATING	IMPACT RATING
±50.0PSF	LARGE AND SMALL MISSILE IMPACT

MISSILE LEVEL D, WIND ZONE 3
35 3/4" X 79" PANEL SHOWN. OTHER SIZES ARE APPROVED AS LONG AS INDIVIDUAL PANEL AREA DOES NOT EXCEED 19.61 FT²



HORIZONTAL CROSS SECTION

APPROVED LITE CONFIGURATIONS



LITE CONFIGURATIONS SHOWN ARE FOR REFERENCE ONLY. MULTIPLE LITE CONFIGURATIONS ARE APPROVED AS LONG AS LITE SIZE DOES NOT EXCEED 9.25 FT²

- NOTES:**
1. DOOR PANEL SIZE: 35 3/4" X 79"
 2. SIDELITE PANEL SIZE: 15 7/8" X 79"
 3. DOOR PANEL D.L.O.: 21 1/8" X 63 1/16"
 4. SIDELITE PANEL D.L.O.: 7" X 63 1/16"

HARDWARE SCHEDULE	
A.	(1) KEYED DOORKNOB LOCKING ASSEMBLY AT ACTIVE LEAF, STRIKE RAIL 33" UP FROM BOTTOM
B.	(1) KEYED DEADBOLT W/THUMB-TURN ASSEMBLY AT ACTIVE LEAF, STRIKE RAIL 39" UP FROM BOTTOM
C.	(8) METAL 4" BUTT HINGE AT LEAF(S), 4 PER LEAF/MULLION EVENLY SPACED WITH ONE 7" IN FROM THE TOP AND ONE 6" IN FROM THE BOTTOM OF LEAF
D.	(1) METAL SECURITY PLATE (12") W/METAL STRIKE PLATE AT HEAD, CENTER SPAN (ASTRAGAL THRU-BOLT LOCATION)
E.	F-SERIES LOCK ASSEMBLY DOOR KNOB BY SCHLAGE
F.	B-SERIES DEADBOLT ASSEMBLY BY SHLAGE
G.	F-SERIES DEADBOLT ASSEMBLY BY SCHLAGE
H.	RESIDENTIAL GRADE DOOR HANDLE ASSEMBLY BY EMTEK (ALTERNATE)
I.	MULTI-POINT LOCK HANDLE ASSEMBLY BY TRILENNIUM (ALTERNATE)

SIGNED: 09/09/2021

PROVIA, LLC.
2150 STATE ROUTE 39 WEST
SUGARCREEK, OH 44681

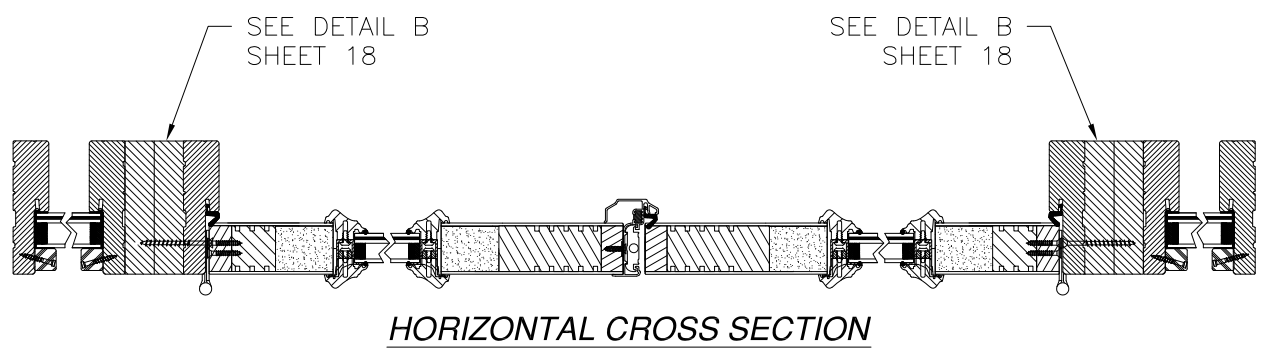
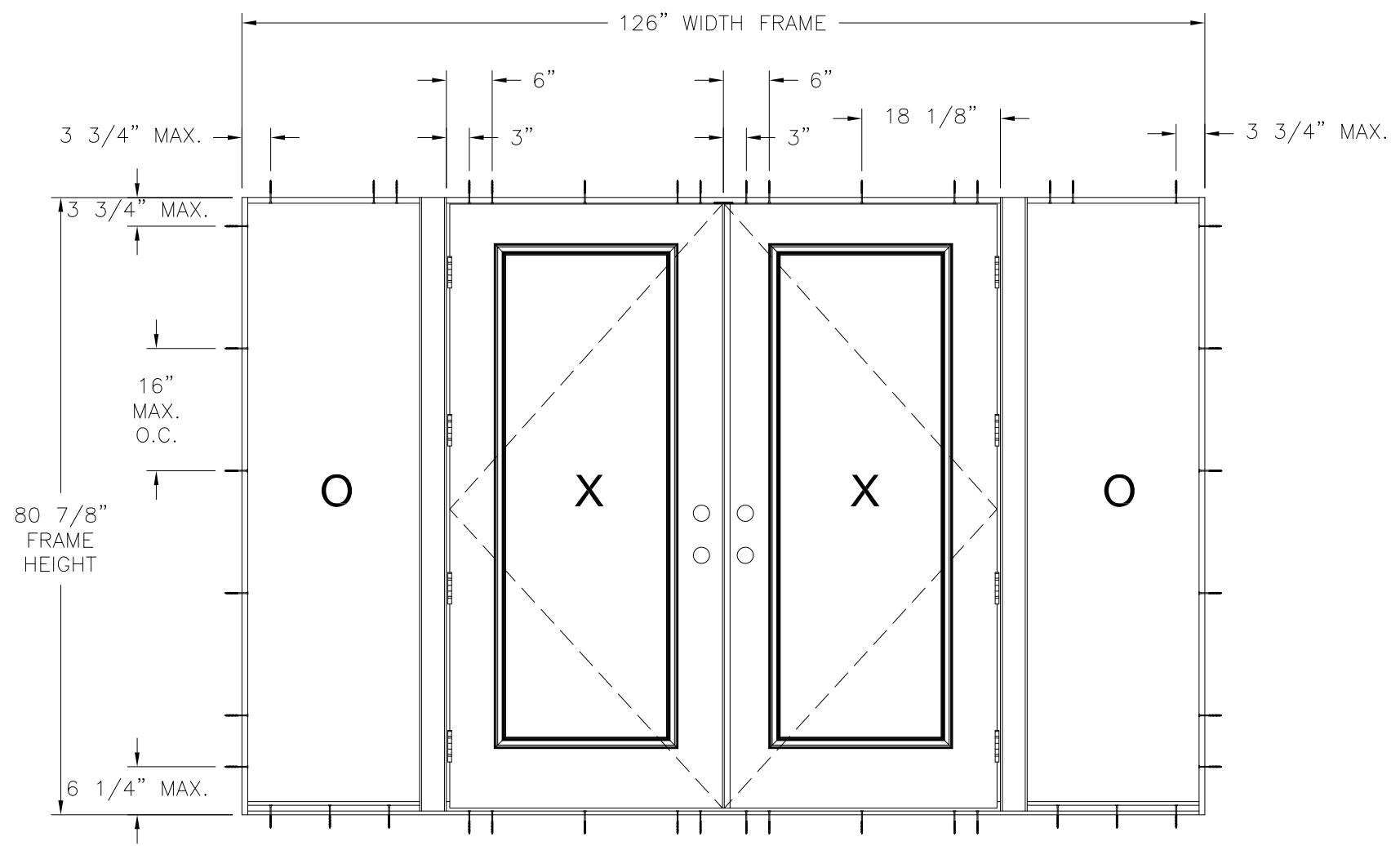
SIGNET OUTSWING ENTRY DOOR SYSTEM 6'8"
W/PLUGLESS TRIM - IMPACT
ELEVATION

DRAWN: A.R.	DWG NO. 08-03624	REV B
SCALE NTS	DATE 10/13/2020	SHEET 2 OF 21

L. ROBERTO LOMAS P.E.
1432 WOODFORD RD LEWISVILLE, NC 27023
434-688-0609 rllomas@rlomaspe.com

Luis R. Lomas P.E.
FL No.: 62514

REVISIONS			
REV	DESCRIPTION	DATE	APPROVED
B	ADDED MULTILITE PANELS, TRIMS & FRAME	08/31/2021	R.L.



SIGNET OS DOOR WITH DIRECT SET SIDELITES
EXTERIOR VIEW

DESIGN PRESSURE RATING	IMPACT RATING
±50.0PSF	LARGE AND SMALL MISSILE IMPACT

MISSILE LEVEL D, WIND ZONE 3
35 3/4" X 79" PANEL SHOWN. OTHER SIZES ARE APPROVED AS LONG AS INDIVIDUAL PANEL AREA DOES NOT EXCEED 19.61 FT²

- NOTES:**
1. DOOR PANEL SIZE: 35 3/4" X 79"
 2. SIDELITE PANEL SIZE: 15 7/8" X 79"
 3. DOOR PANEL D.L.O.: 21 1/8" X 63 1/16"
 4. DIRECT SET D.L.O.: 21 1/8" X 77 5/8"

HARDWARE SCHEDULE

A.	(1) KEYED DOORKNOB LOCKING ASSEMBLY AT ACTIVE LEAF, STRIKE RAIL 33" UP FROM BOTTOM
B.	(1) KEYED DEADBOLT W/THUMB-TURN ASSEMBLY AT ACTIVE LEAF, STRIKE RAIL 39" UP FROM BOTTOM
C.	(8) METAL 4" BUTT HINGE AT LEAF(S), 4 PER LEAF/MULLION EVENLY SPACED WITH ONE 7" IN FROM THE TOP AND ONE 6" IN FROM THE BOTTOM OF LEAF
D.	(1) METAL SECURITY PLATE (12") W/METAL STRIKE PLATE AT HEAD, CENTER SPAN (ASTRAGAL THRU-BOLT LOCATION)
E.	F-SERIES LOCK ASSEMBLY DOOR KNOB BY SCHLAGE
F.	B-SERIES DEADBOLT ASSEMBLY BY SHLAGE
G.	F-SERIES DEADBOLT ASSEMBLY BY SCHLAGE
H.	RESIDENTIAL GRADE DOOR HANDLE ASSEMBLY BY EMTEK (ALTERNATE)
I.	MULTI-POINT LOCK HANDLE ASSEMBLY BY TRIENNium (ALTERNATE)

SIGNED: 09/09/2021

PROVIA, LLC.
2150 STATE ROUTE 39 WEST
SUGARCREEK, OH 44681

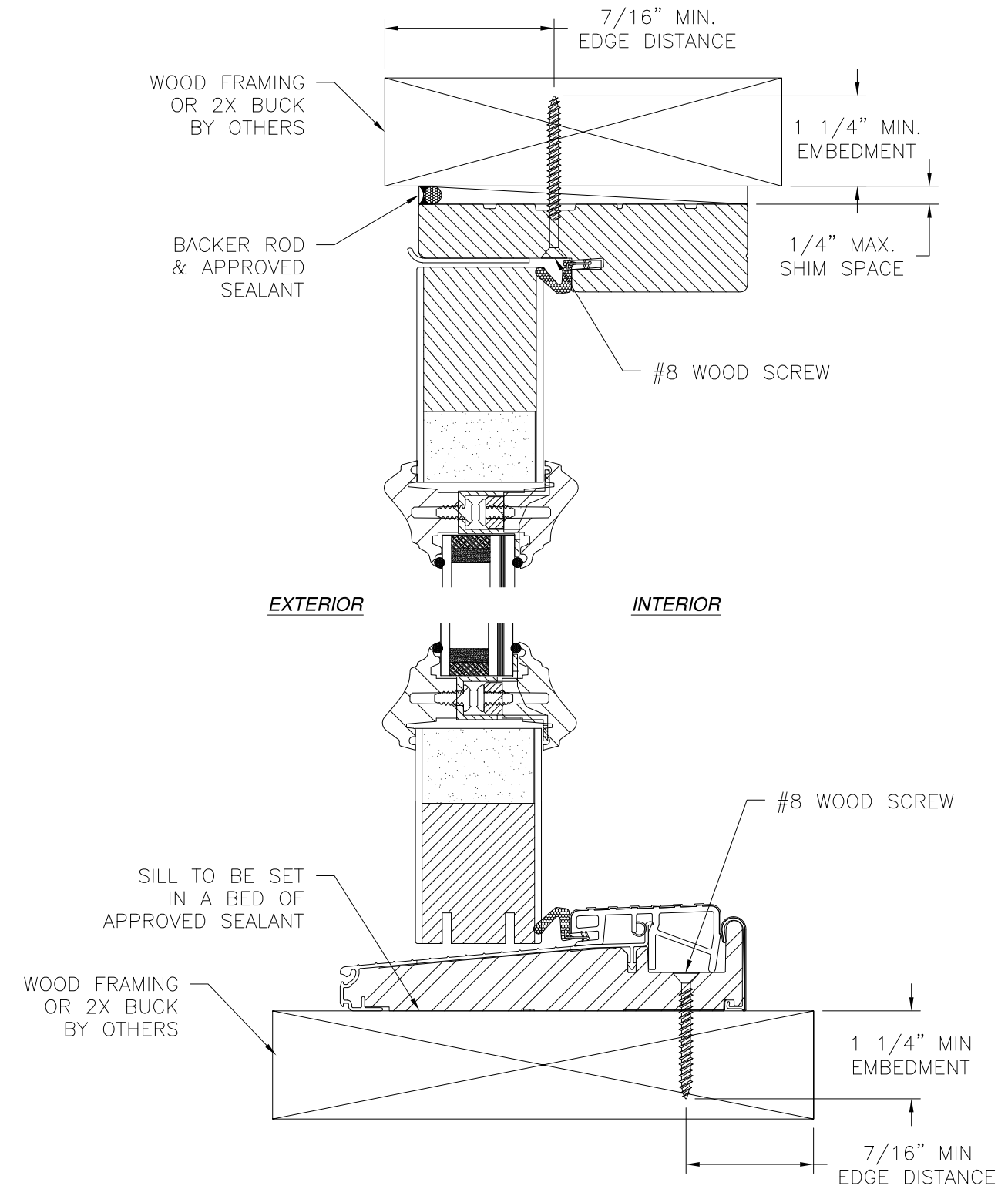
SIGNET OUTSWING ENTRY DOOR SYSTEM 6'8"
W/PLUGLESS TRIM - IMPACT
ELEVATION

DRAWN: A.R.	DWG NO. 08-03624	REV B
SCALE NTS	DATE 10/13/2020	SHEET 3 OF 21

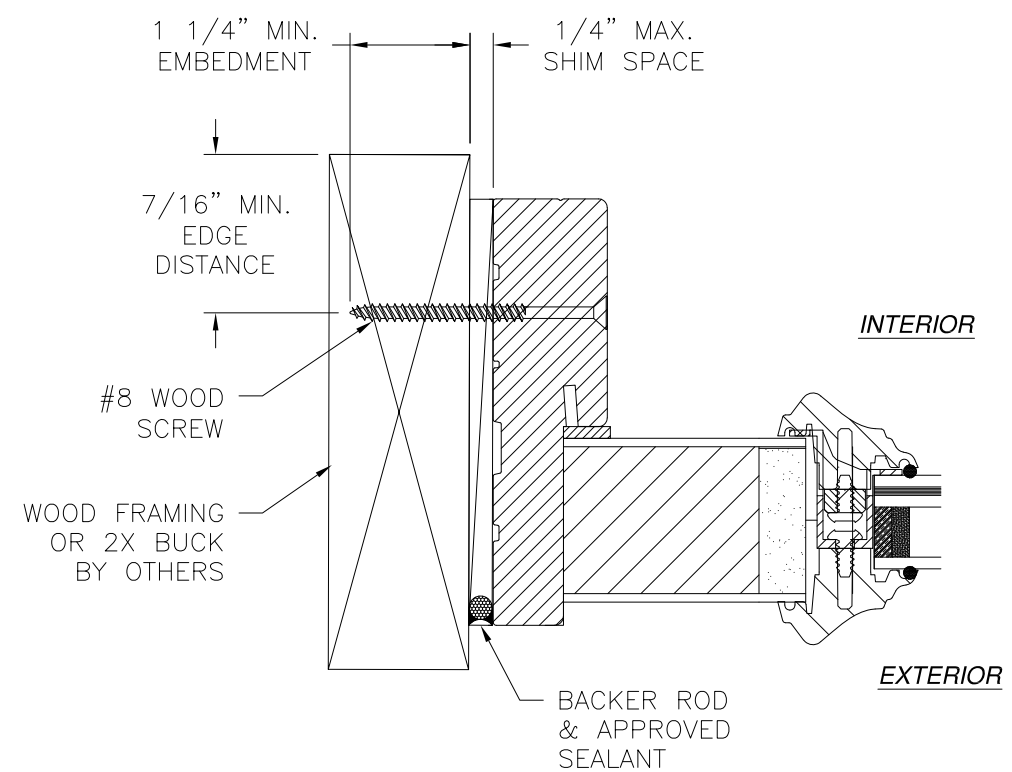
L. ROBERTO LOMAS P.E.
1432 WOODFORD RD LEWISVILLE, NC 27023
434-688-0609 rllomas@rlomaspe.com

Luis R. Lomas P.E.
FL No.: 62514

REVISIONS			
REV	DESCRIPTION	DATE	APPROVED
B	ADDED MULTILITE PANELS, TRIMS & FRAME	08/31/2021	R.L.



VERTICAL CROSS SECTION
DOOR INSTALLATION
WOOD FRAMING OR 2X BUCK INSTALLATION



JAMB INSTALLATION DETAIL
DOOR INSTALLATION
WOOD FRAMING OR 2X BUCK INSTALLATION

- NOTES:**
1. INTERIOR AND EXTERIOR FINISHES, BY OTHERS, NOT SHOWN FOR CLARITY.
 2. PERIMETER AND JOINT SEALANT BY OTHERS TO BE DESIGNED IN ACCORDANCE WITH ASTM E2112

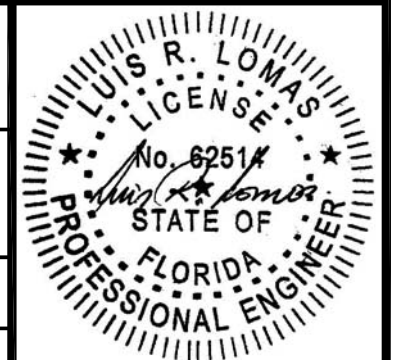
SIGNED: 09/09/2021

PROVIA, LLC.
2150 STATE ROUTE 39 WEST
SUGARCREEK, OH 44681

SIGNET OUTSWING ENTRY DOOR SYSTEM 6'8"
W/PLUGLESS TRIM - IMPACT
INSTALLATION DETAILS

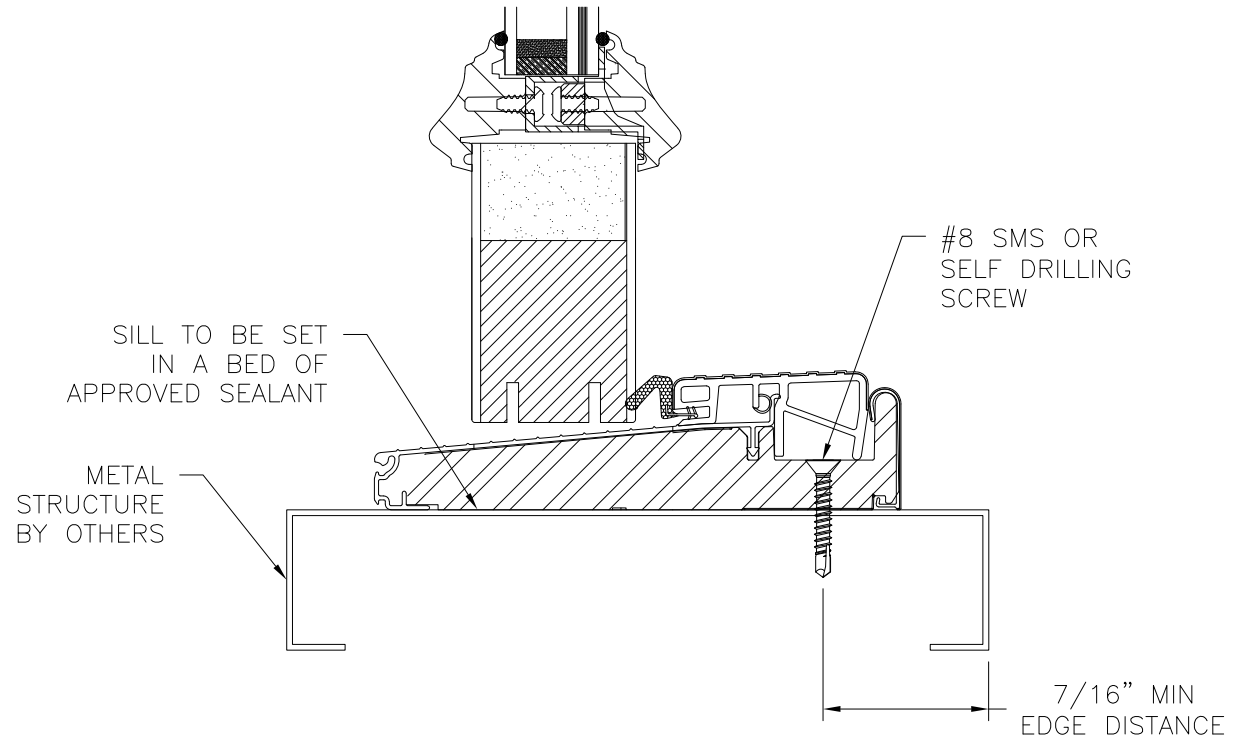
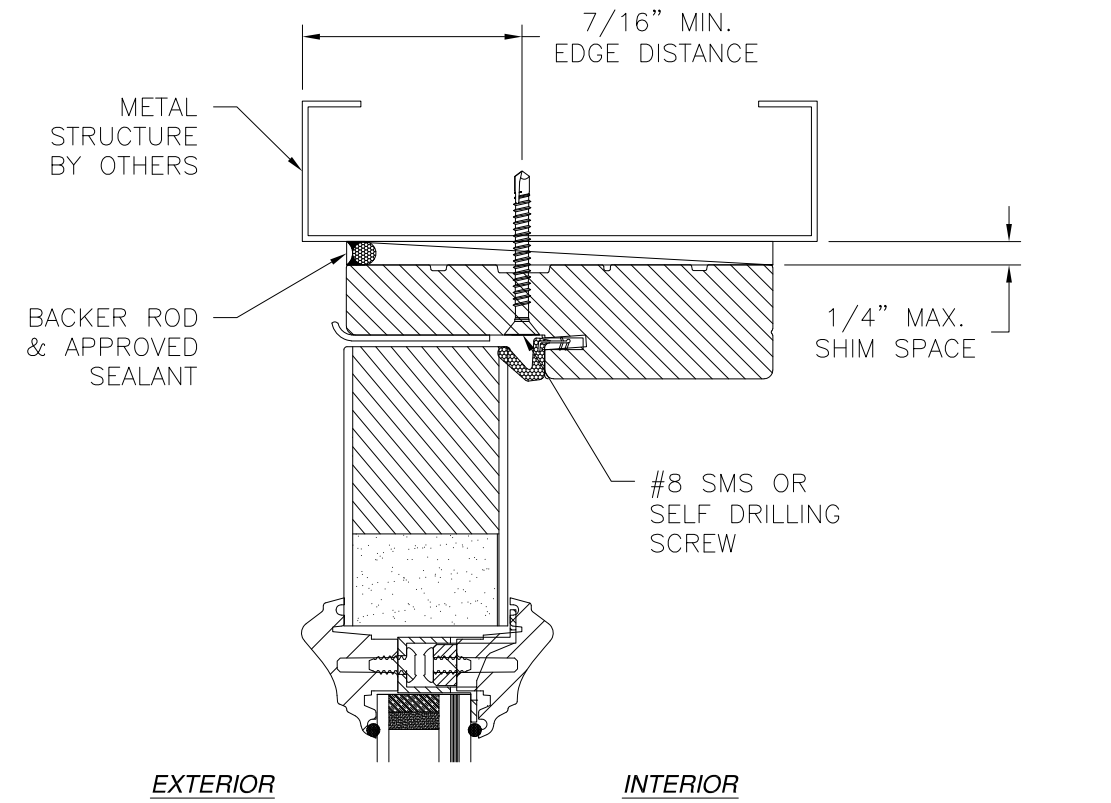
DRAWN: A.R.	DWG NO. 08-03624	REV B
SCALE NTS	DATE 10/13/2020	SHEET 4 OF 21

L. ROBERTO LOMAS P.E.
1432 WOODFORD RD LEWISVILLE, NC 27023
434-688-0609 rllomas@rlomaspe.com

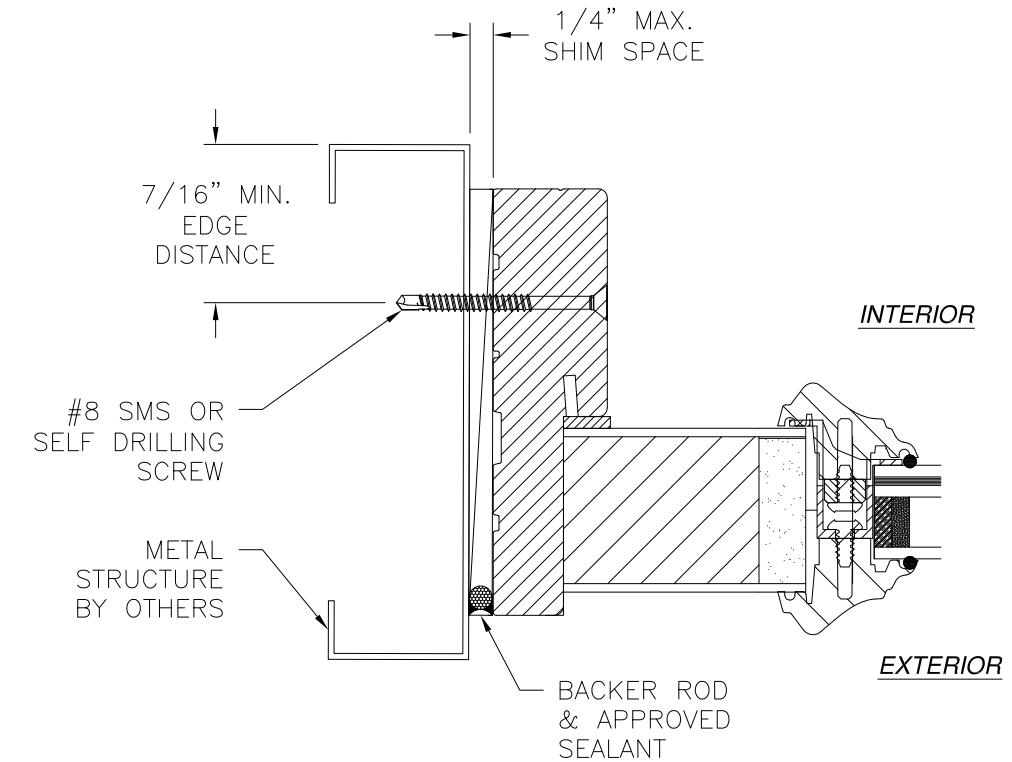


Luis R. Lomas P.E.
FL No.: 62514

REVISIONS			
REV	DESCRIPTION	DATE	APPROVED
B	ADDED MULTILITE PANELS, TRIMS & FRAME	08/31/2021	R.L.



VERTICAL CROSS SECTION
DOOR INSTALLATION
METAL STRUCTURE INSTALLATION



JAMB INSTALLATION DETAIL
DOOR INSTALLATION
METAL STRUCTURE INSTALLATION

- NOTES:**
1. INTERIOR AND EXTERIOR FINISHES, BY OTHERS, NOT SHOWN FOR CLARITY.
 2. PERIMETER AND JOINT SEALANT BY OTHERS TO BE DESIGNED IN ACCORDANCE WITH ASTM E2112

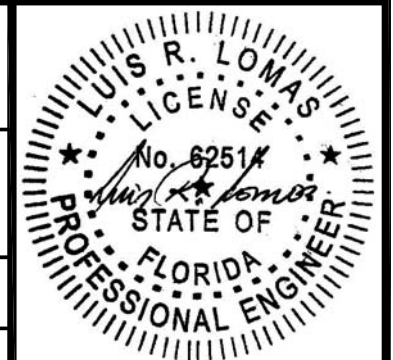
SIGNED: 09/09/2021

PROVIA, LLC.
2150 STATE ROUTE 39 WEST
SUGARCREEK, OH 44681

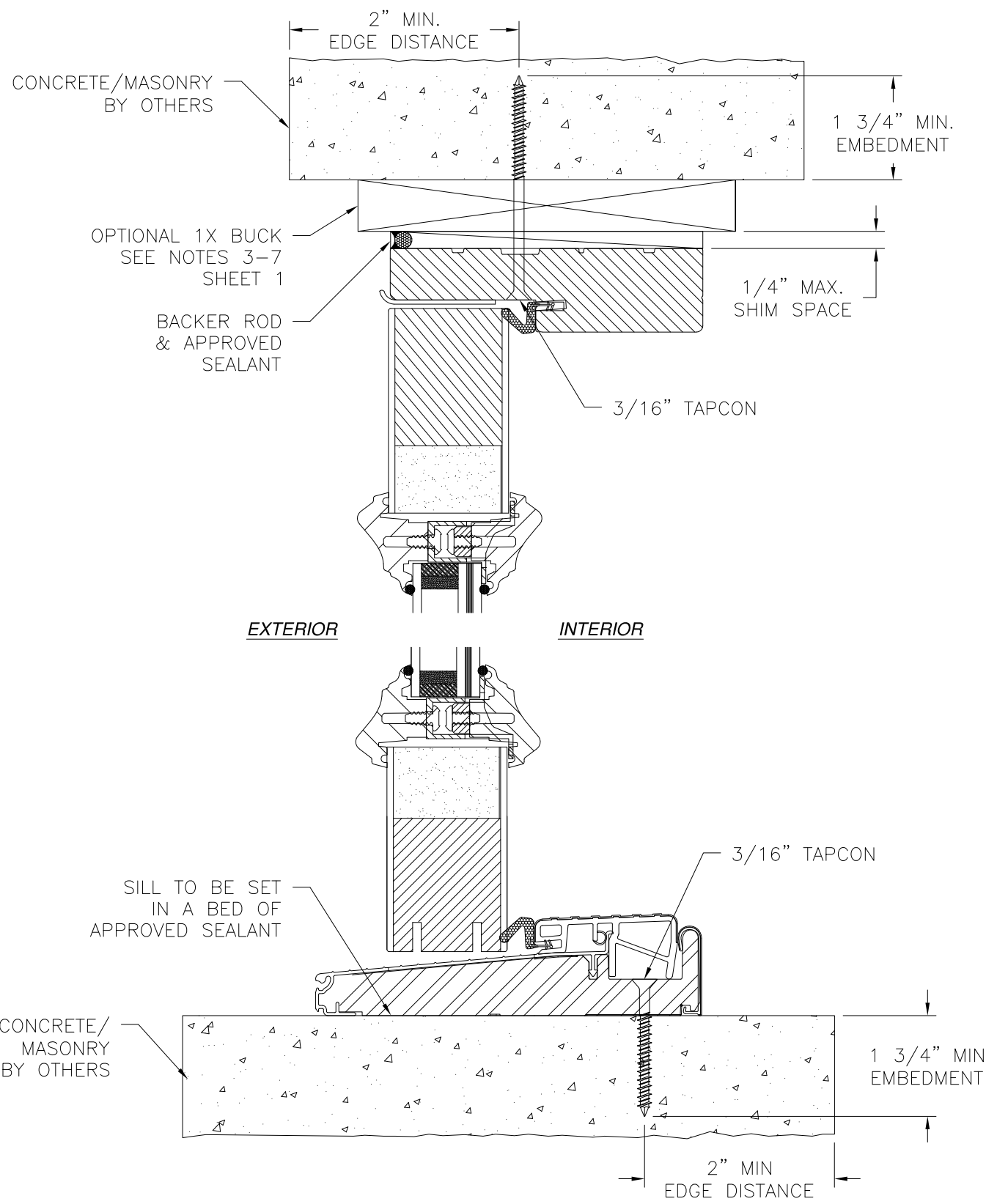
SIGNET OUTSWING ENTRY DOOR SYSTEM 6'8"
W/PLUGLESS TRIM - IMPACT
INSTALLATION DETAILS

DRAWN: A.R.	DWG NO. 08-03624	REV B
SCALE NTS	DATE 10/13/2020	SHEET 5 OF 21

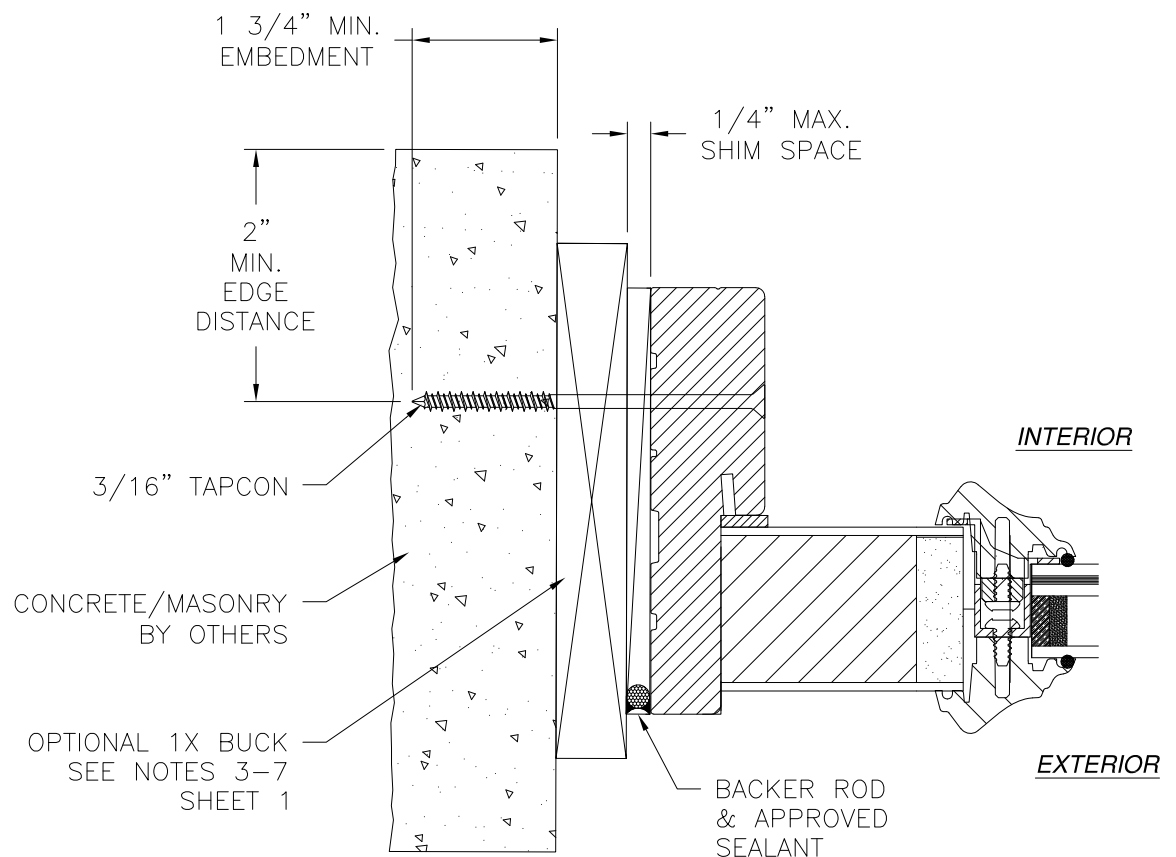
L. ROBERTO LOMAS P.E.
1432 WOODFORD RD LEWISVILLE, NC 27023
434-688-0609 rllomas@rlomaspe.com



Luis R. Lomas P.E.
FL No.: 62514



VERTICAL CROSS SECTION
 DOOR INSTALLATION
 CONCRETE/MASONRY INSTALLATION



JAMB INSTALLATION DETAIL
 DOOR INSTALLATION
 CONCRETE/MASONRY INSTALLATION

- NOTES:**
1. INTERIOR AND EXTERIOR FINISHES, BY OTHERS, NOT SHOWN FOR CLARITY.
 2. PERIMETER AND JOINT SEALANT BY OTHERS TO BE DESIGNED IN ACCORDANCE WITH ASTM E2112

REVISIONS			
REV	DESCRIPTION	DATE	APPROVED
B	ADDED MULTILITE PANELS, TRIMS & FRAME	08/31/2021	R.L.

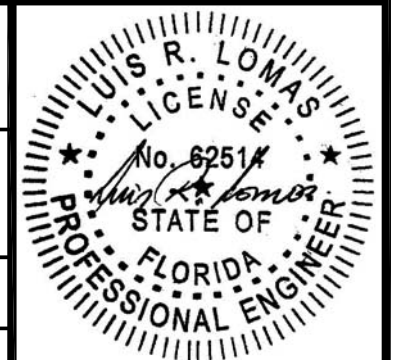
SIGNED: 09/09/2021

PROVIA, LLC.
 2150 STATE ROUTE 39 WEST
 SUGARCREEK, OH 44681

SIGNET OUTSWING ENTRY DOOR SYSTEM 6'8"
 W/PLUGLESS TRIM - IMPACT
 INSTALLATION DETAILS

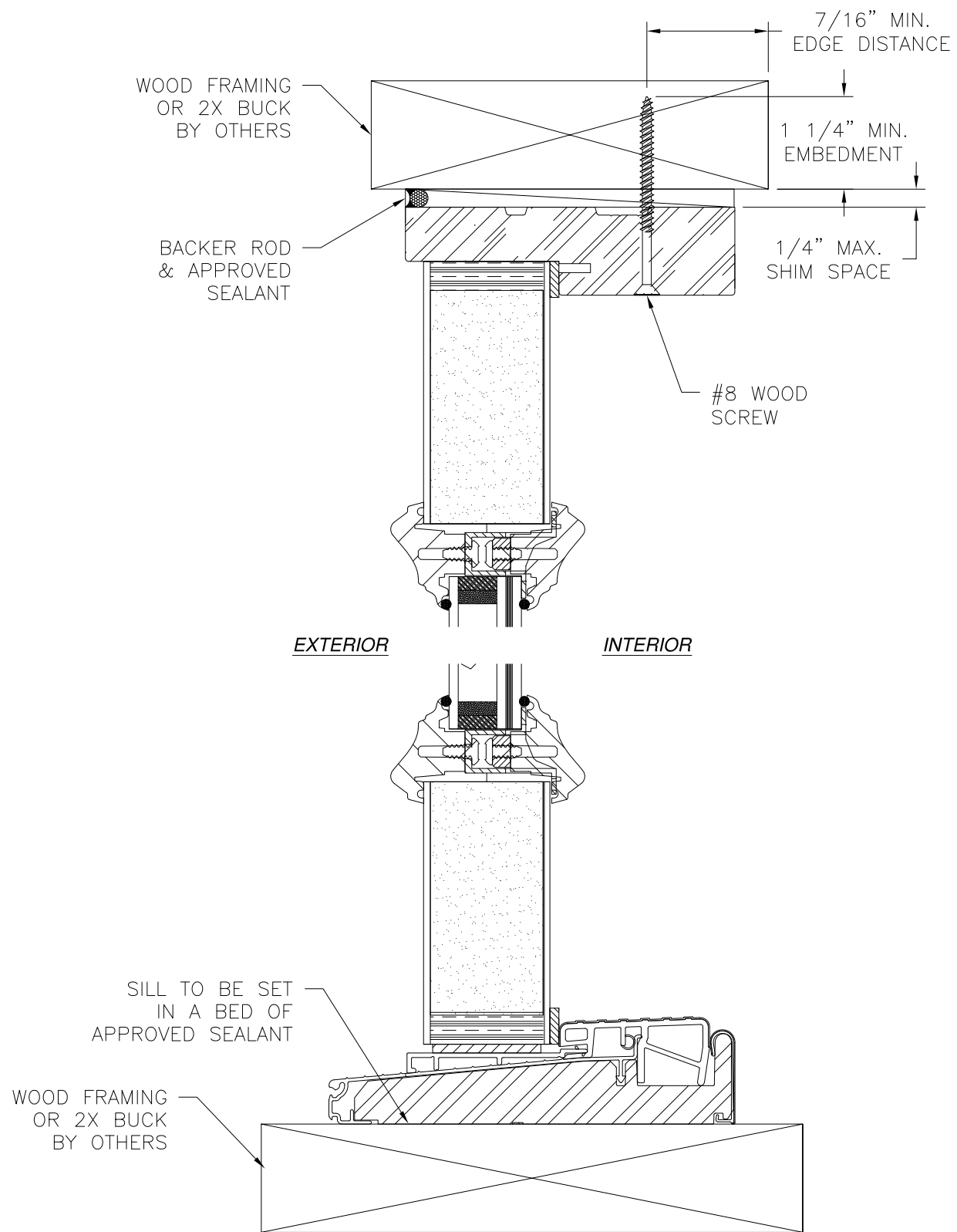
DRAWN: A.R.	DWG NO. 08-03624	REV B
SCALE NTS	DATE 10/13/2020	SHEET 6 OF 21

L. ROBERTO LOMAS P.E.
 1432 WOODFORD RD LEWISVILLE, NC 27023
 434-688-0609 rllomas@rlomaspe.com

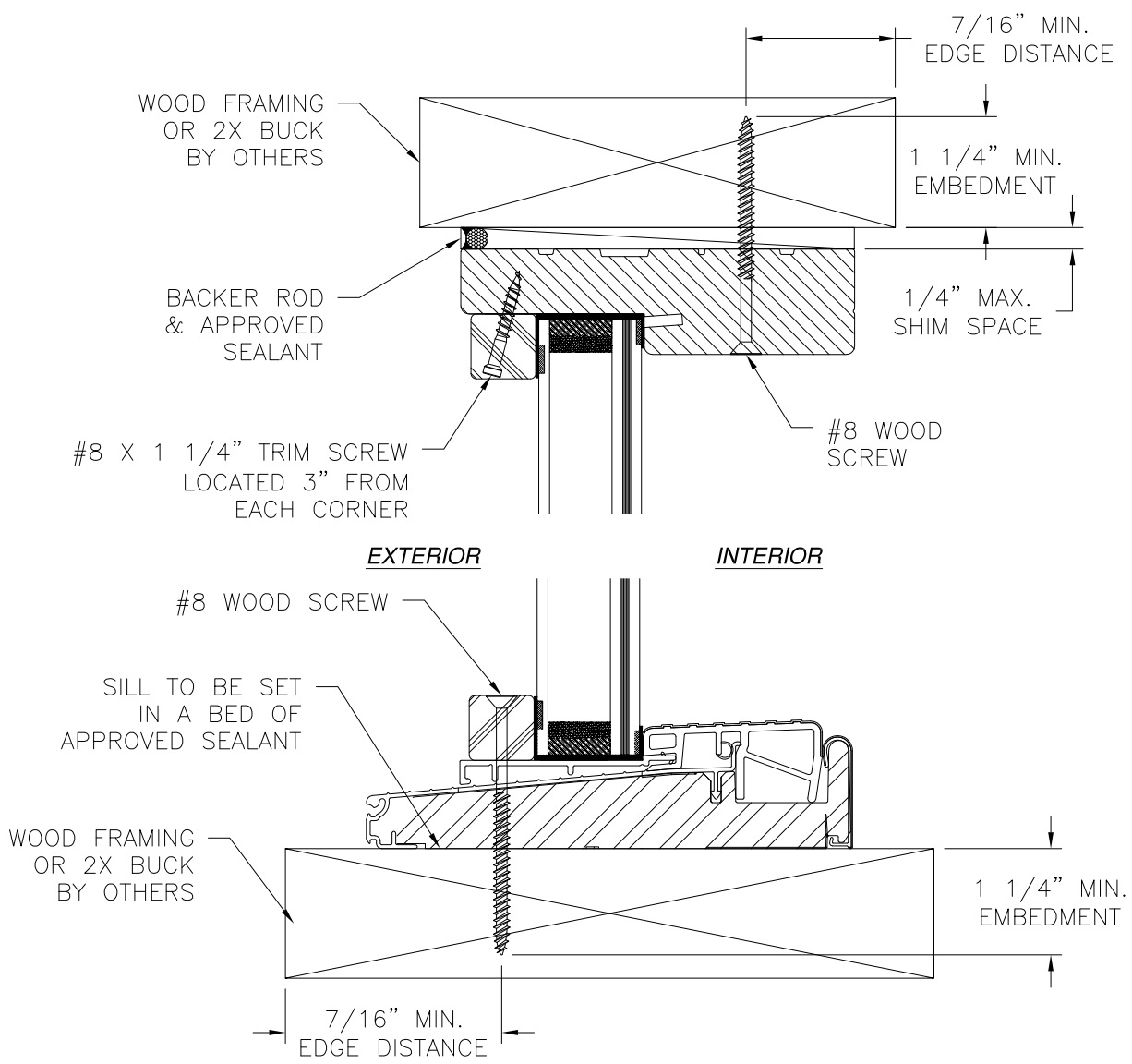


Luis R. Lomas P.E.
 FL No.: 62514

REVISIONS			
REV	DESCRIPTION	DATE	APPROVED
B	ADDED MULTILITE PANELS, TRIMS & FRAME	08/31/2021	R.L.



VERTICAL CROSS SECTION
STANDARD SIDELITE INSTALLATION
WOOD FRAMING OR 2X BUCK INSTALLATION



VERTICAL CROSS SECTION
DIRECT SET SIDELITE INSTALLATION
WOOD FRAMING OR 2X BUCK INSTALLATION

- NOTES:
1. INTERIOR AND EXTERIOR FINISHES, BY OTHERS, NOT SHOWN FOR CLARITY.
 2. PERIMETER AND JOINT SEALANT BY OTHERS TO BE DESIGNED IN ACCORDANCE WITH ASTM E2112

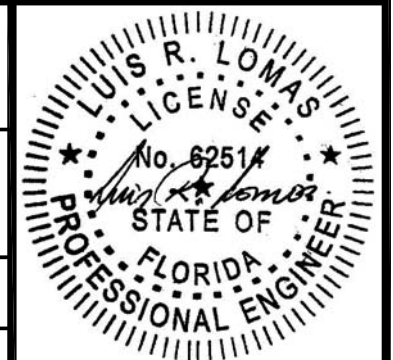
PROVIA, LLC.
2150 STATE ROUTE 39 WEST
SUGARCREEK, OH 44681

SIGNET OUTSWING ENTRY DOOR SYSTEM 6'8"
W/PLUGLESS TRIM - IMPACT
INSTALLATION DETAILS

DRAWN: A.R.	DWG NO. 08-03624	REV B
SCALE NTS	DATE 10/13/2020	SHEET 7 OF 21

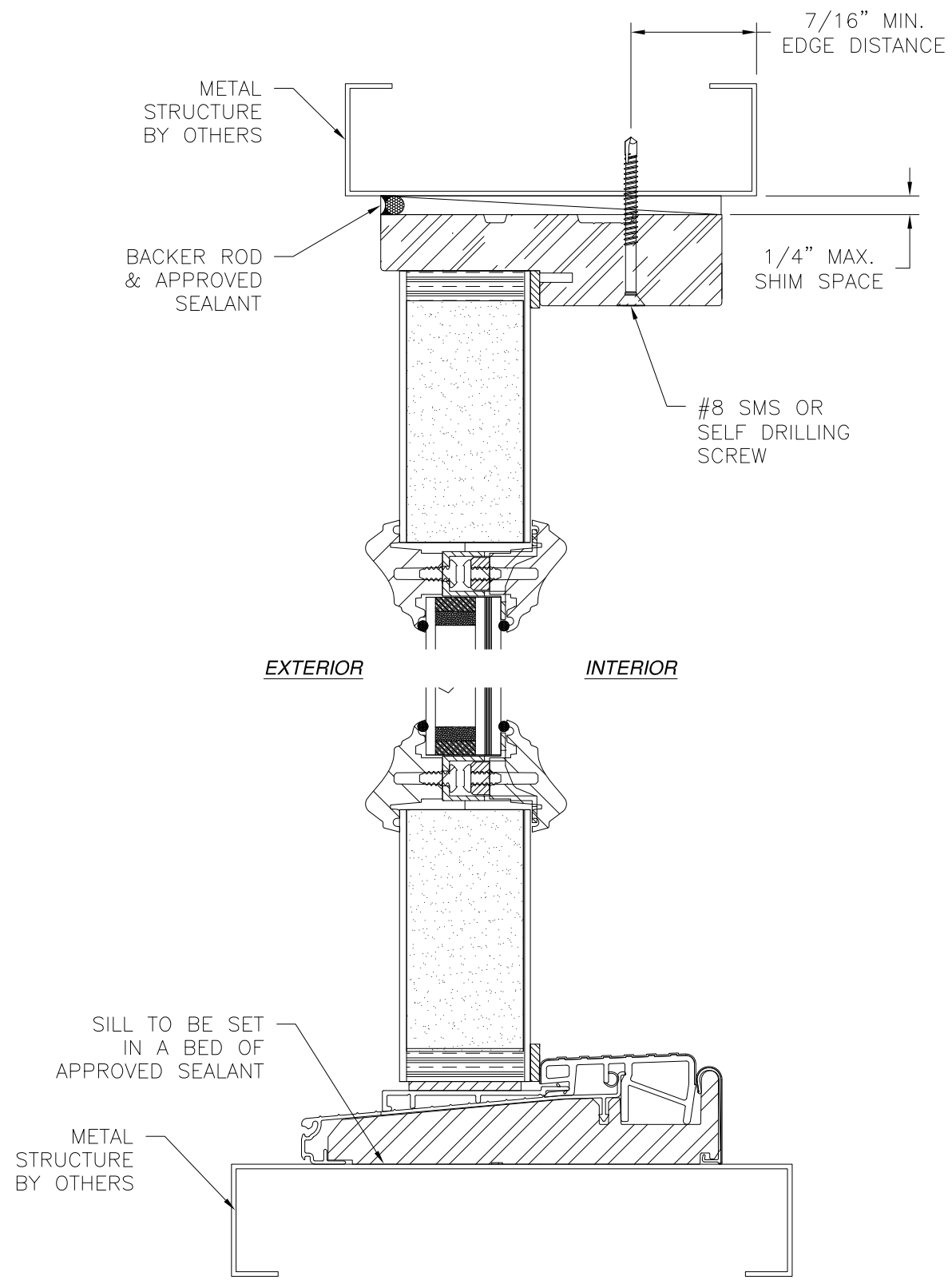
L. ROBERTO LOMAS P.E.
1432 WOODFORD RD LEWISVILLE, NC 27023
434-688-0609 rllomas@rlomaspe.com

SIGNED: 09/09/2021

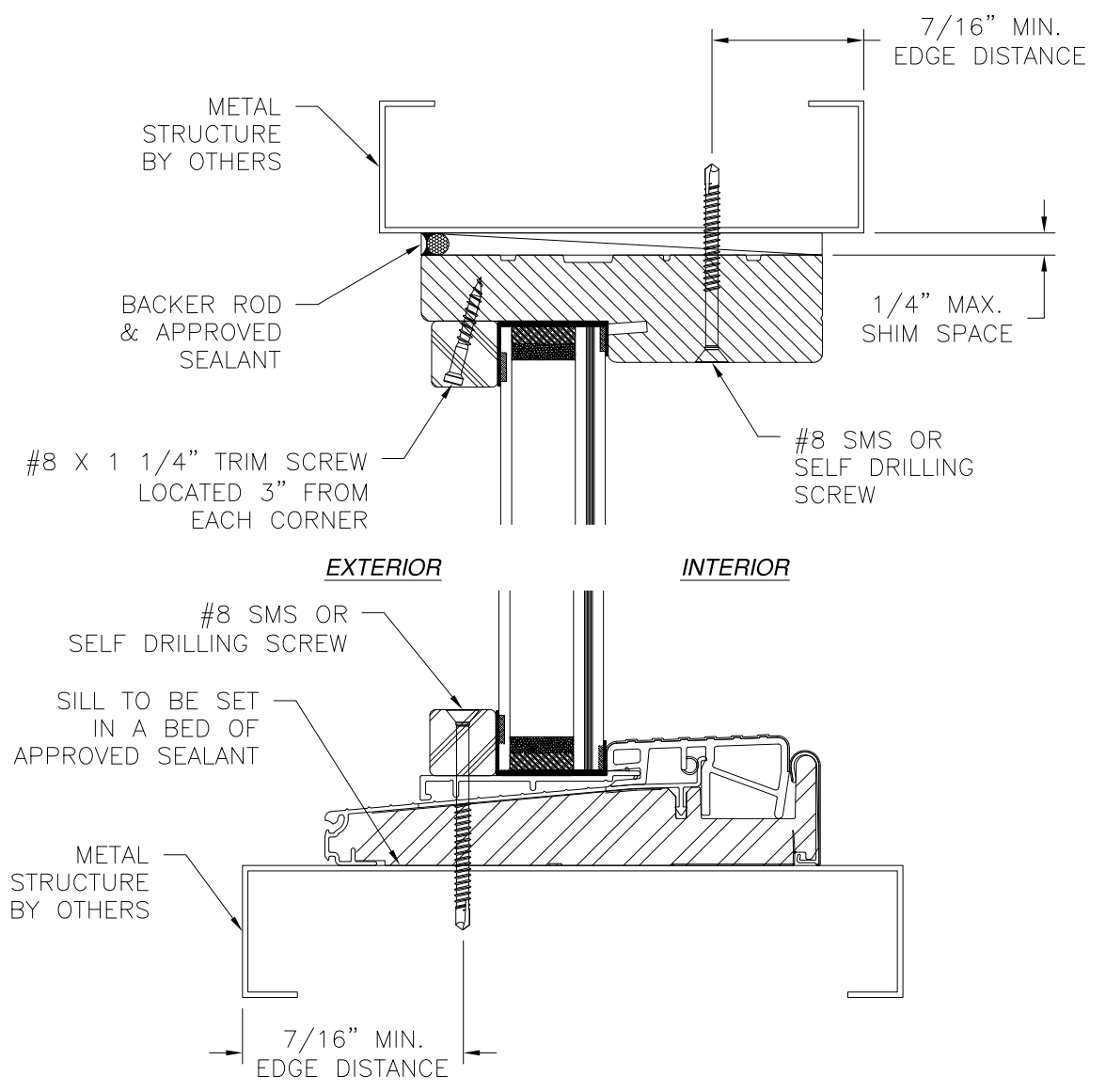


Luis R. Lomas P.E.
FL No.: 62514

REVISIONS			
REV	DESCRIPTION	DATE	APPROVED
B	ADDED MULTILITE PANELS, TRIMS & FRAME	08/31/2021	R.L.



VERTICAL CROSS SECTION
STANDARD SIDELITE INSTALLATION
METAL STRUCTURE INSTALLATION



VERTICAL CROSS SECTION
DIRECT SET SIDELITE INSTALLATION
METAL STRUCTURE INSTALLATION

- NOTES:
1. INTERIOR AND EXTERIOR FINISHES, BY OTHERS, NOT SHOWN FOR CLARITY.
 2. PERIMETER AND JOINT SEALANT BY OTHERS TO BE DESIGNED IN ACCORDANCE WITH ASTM E2112

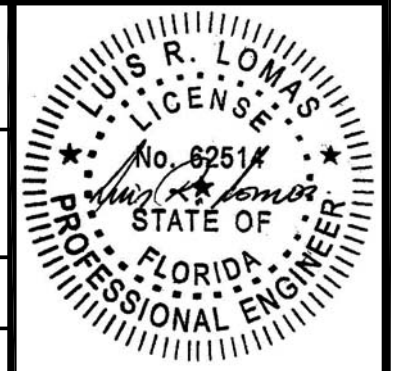
PROVIA, LLC.
2150 STATE ROUTE 39 WEST
SUGARCREEK, OH 44681

SIGNET OUTSWING ENTRY DOOR SYSTEM 6'8"
W/PLUGLESS TRIM - IMPACT
INSTALLATION DETAILS

DRAWN: A.R.	DWG NO. 08-03624	REV B
SCALE NTS	DATE 10/13/2020	SHEET 8 OF 21

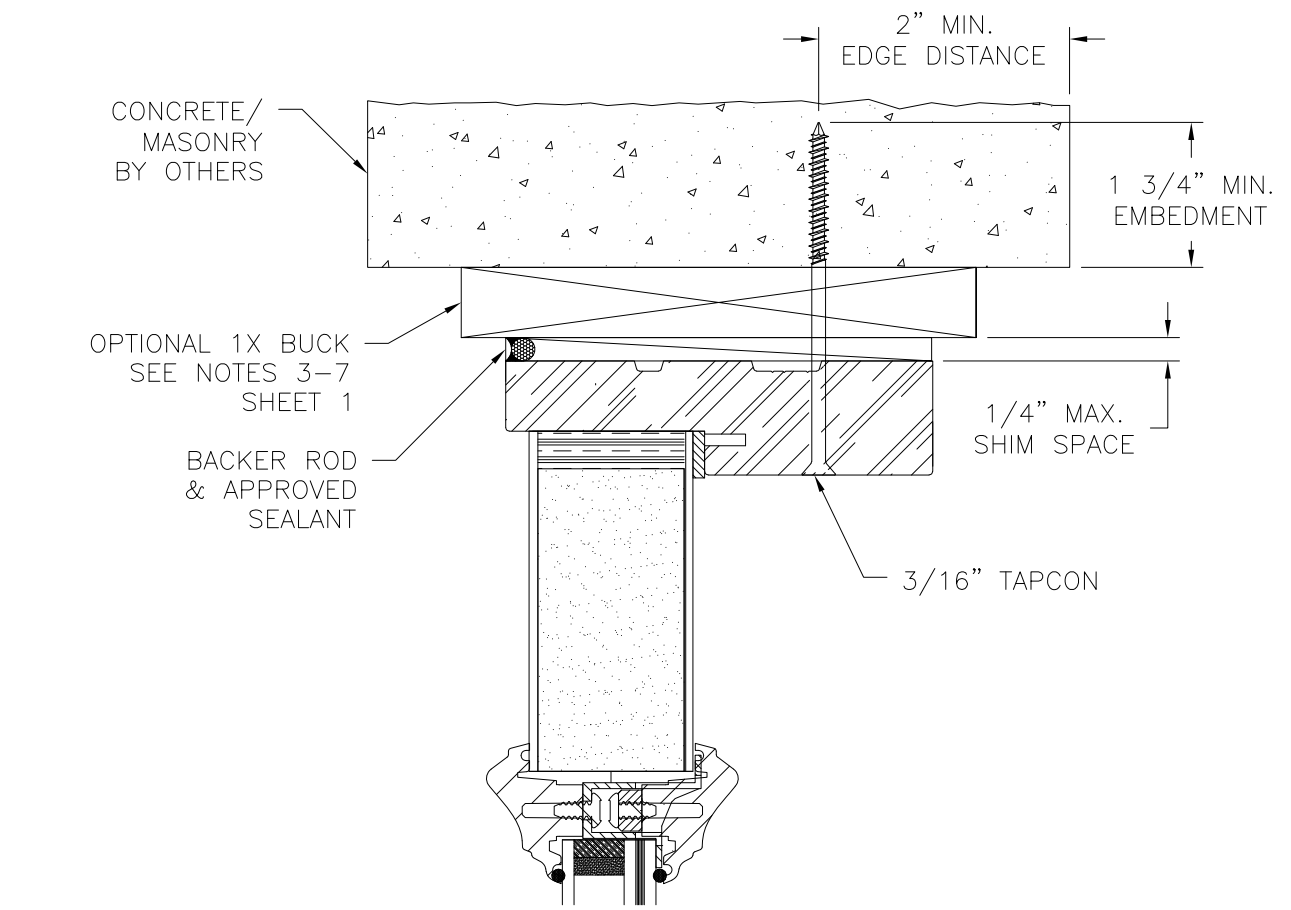
L. ROBERTO LOMAS P.E.
1432 WOODFORD RD LEWISVILLE, NC 27023
434-688-0609 rllomas@rlomaspe.com

SIGNED: 09/09/2021

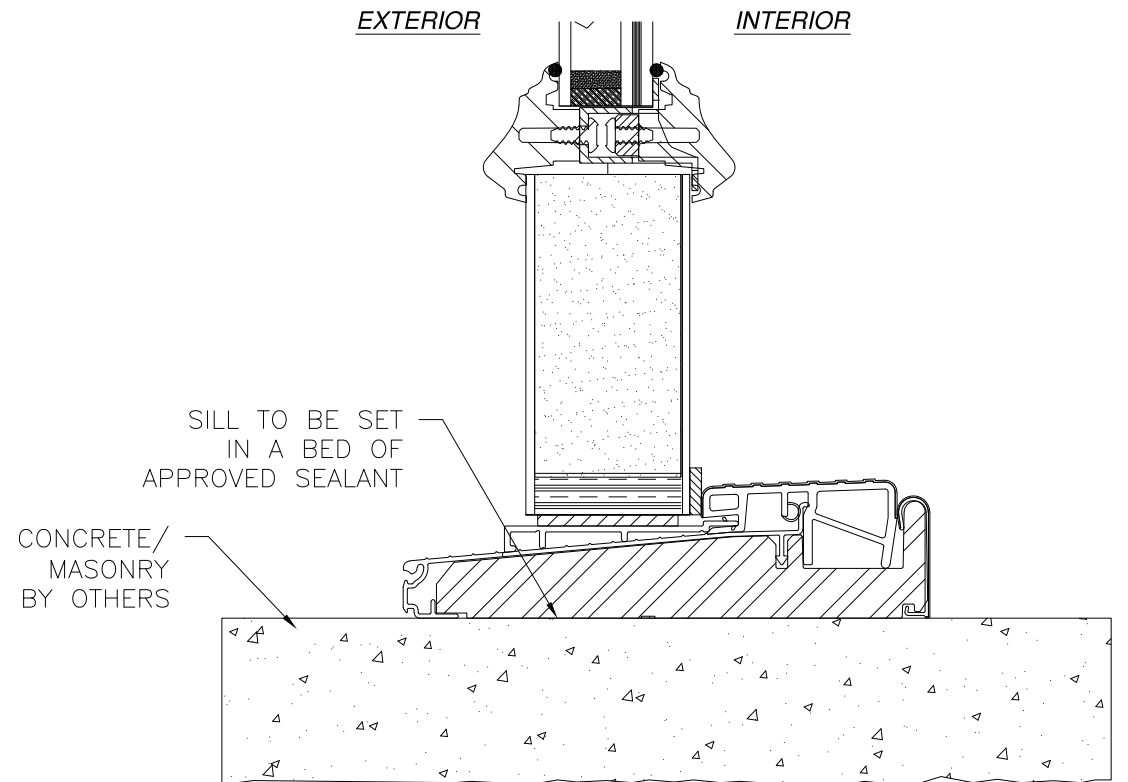


Luis R. Lomas P.E.
FL No.: 62514

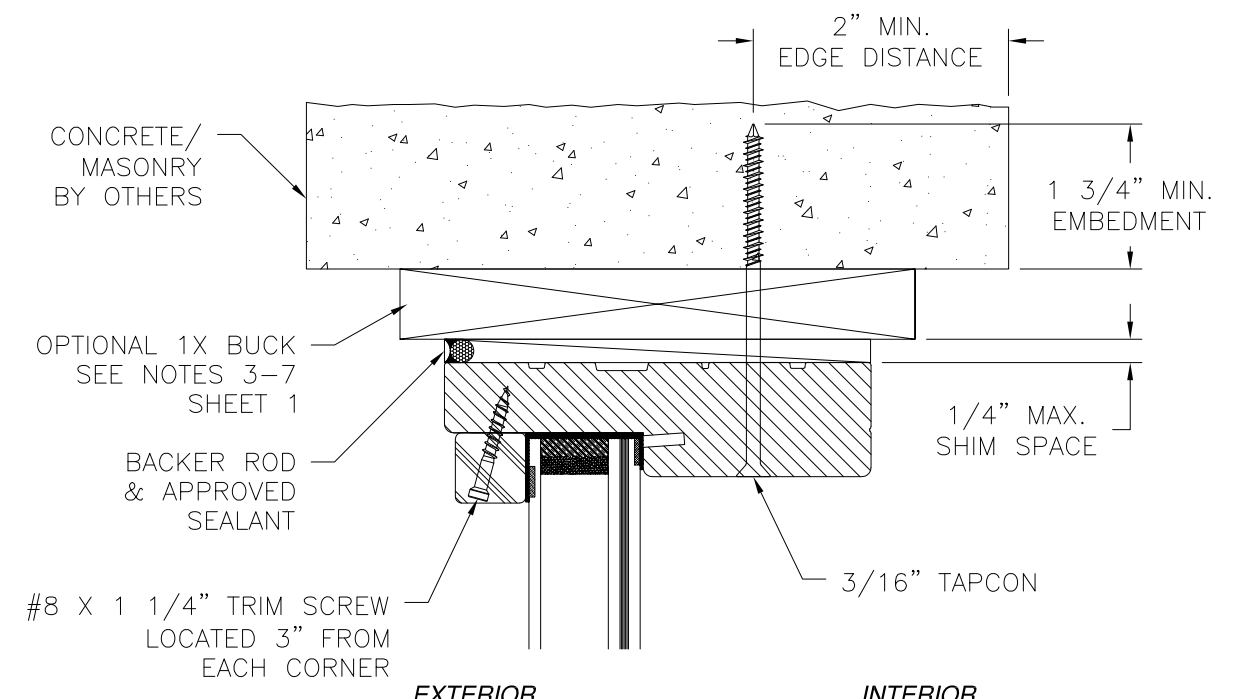
REVISIONS			
REV	DESCRIPTION	DATE	APPROVED
B	ADDED MULTILITE PANELS, TRIMS & FRAME	08/31/2021	R.L.



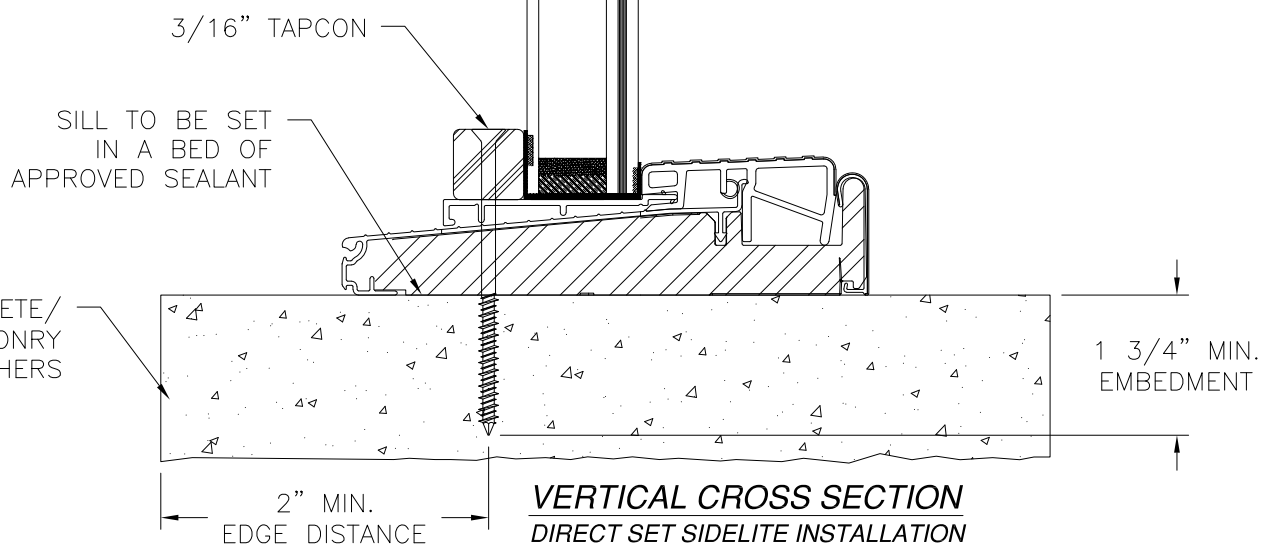
EXTERIOR INTERIOR



VERTICAL CROSS SECTION
STANDARD SIDELITE INSTALLATION
CONCRETE/MASONRY INSTALLATION



EXTERIOR INTERIOR



VERTICAL CROSS SECTION
DIRECT SET SIDELITE INSTALLATION
CONCRETE/MASONRY INSTALLATION

- NOTES:
1. INTERIOR AND EXTERIOR FINISHES, BY OTHERS, NOT SHOWN FOR CLARITY.
 2. PERIMETER AND JOINT SEALANT BY OTHERS TO BE DESIGNED IN ACCORDANCE WITH ASTM E2112

SIGNED: 09/09/2021

PROVIA, LLC.
2150 STATE ROUTE 39 WEST
SUGARCREEK, OH 44681

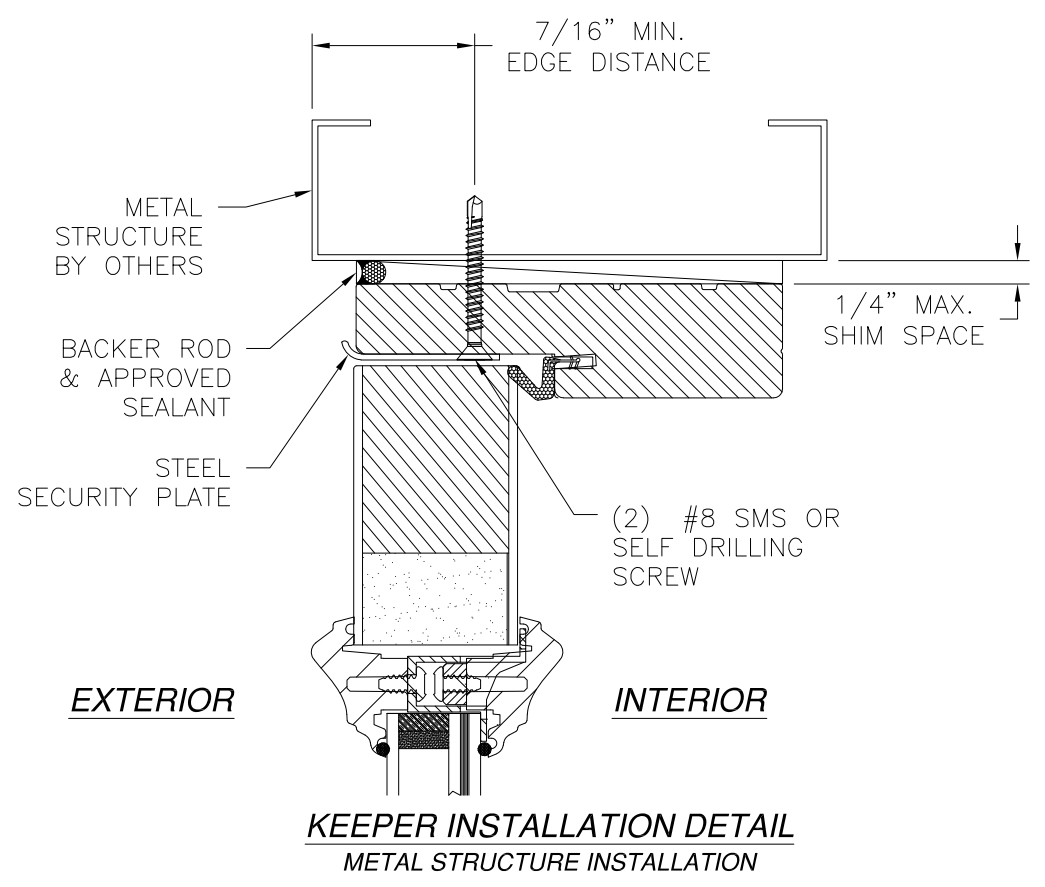
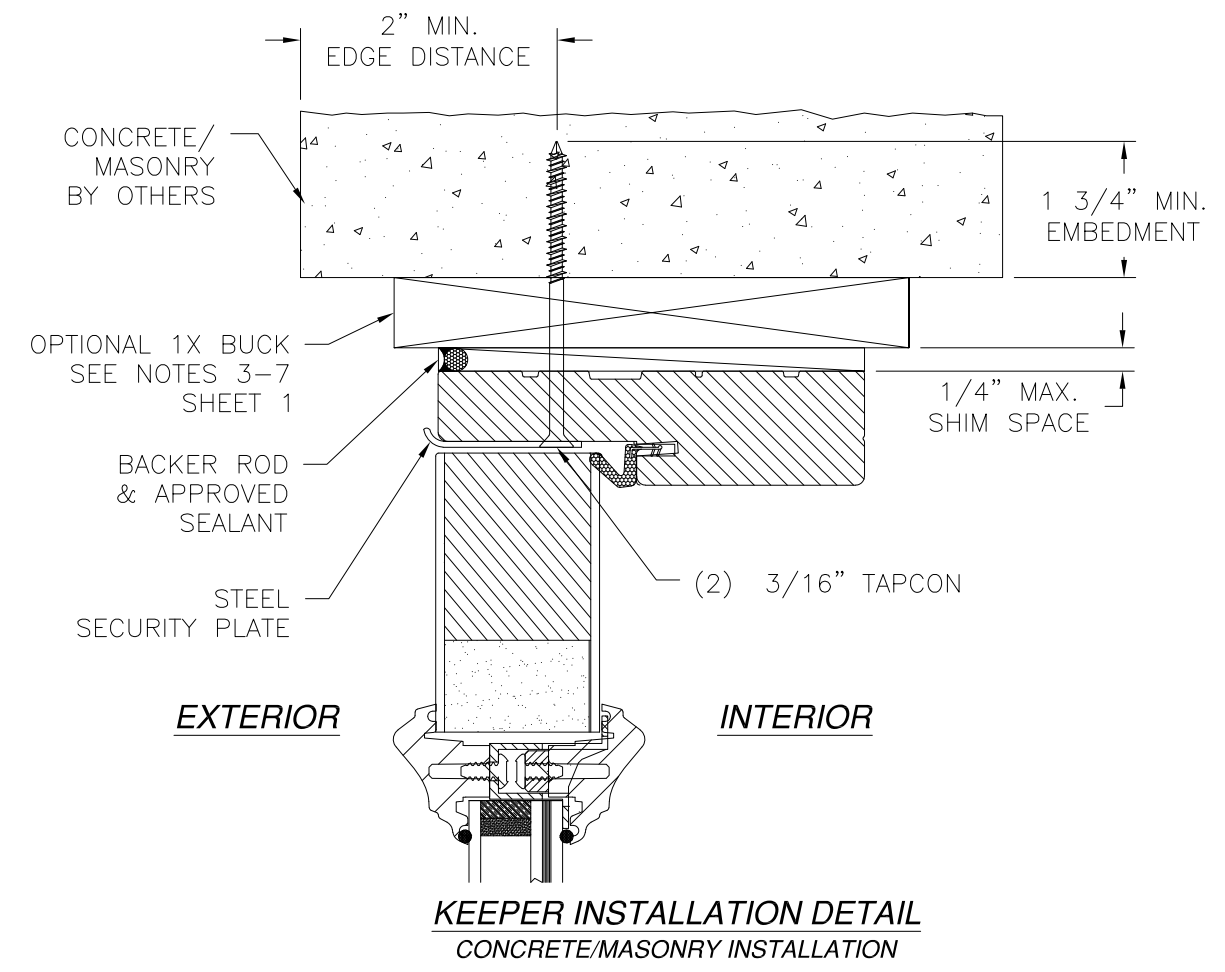
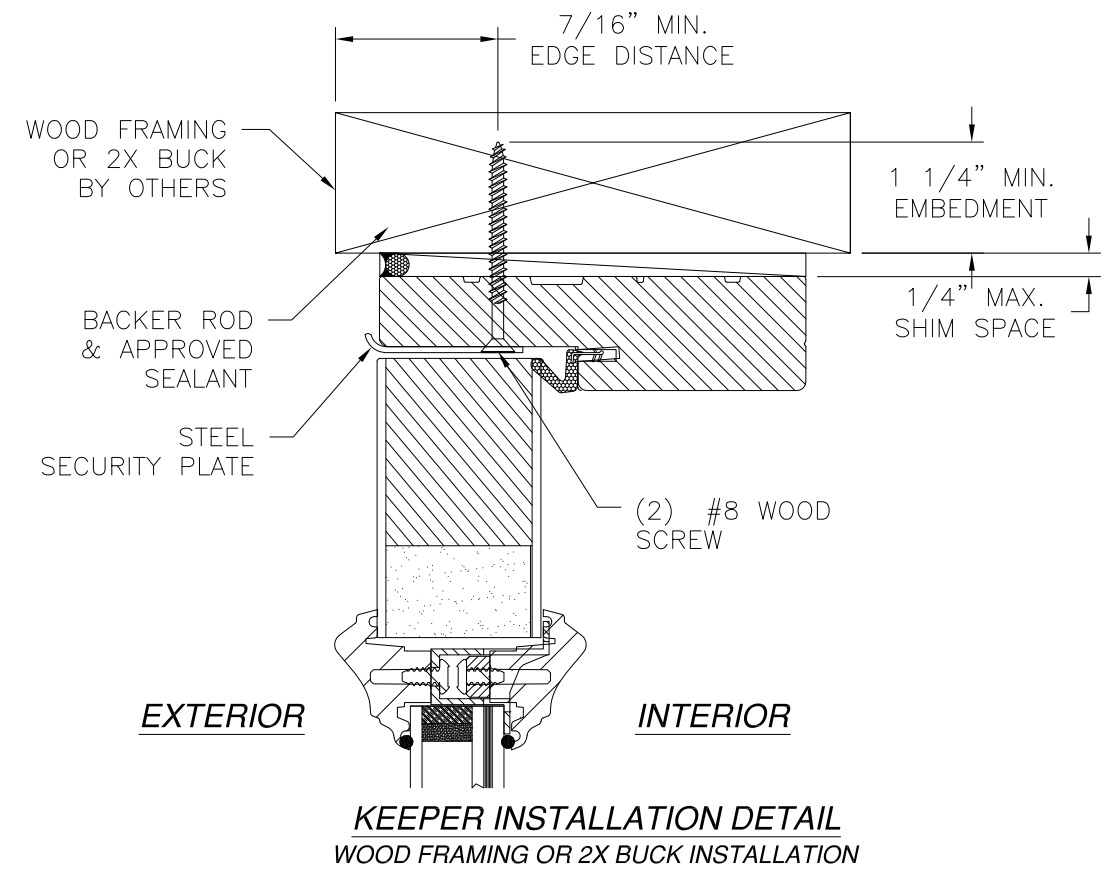
SIGNET OUTSWING ENTRY DOOR SYSTEM 6'8"
W/PLUGLESS TRIM - IMPACT
INSTALLATION DETAILS

DRAWN: A.R.	DWG NO. 08-03624	REV B
SCALE NTS	DATE 10/13/2020	SHEET 9 OF 21

L. ROBERTO LOMAS P.E.
1432 WOODFORD RD LEWISVILLE, NC 27023
434-688-0609 rllomas@rlomaspe.com

Luis R. Lomas P.E.
FL No.: 62514

REVISIONS			
REV	DESCRIPTION	DATE	APPROVED
B	ADDED MULTILITE PANELS, TRIMS & FRAME	08/31/2021	R.L.



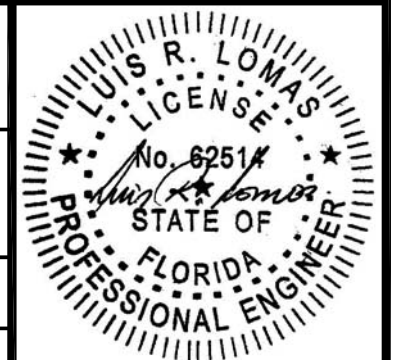
PROVIA, LLC.
2150 STATE ROUTE 39 WEST
SUGARCREEK, OH 44681

SIGNET OUTSWING ENTRY DOOR SYSTEM 6'8"
W/PLUGLESS TRIM - IMPACT
INSTALLATION DETAILS

DRAWN: A.R.	DWG NO. 08-03624	REV B
SCALE NTS	DATE 10/13/2020	SHEET 10 OF 21

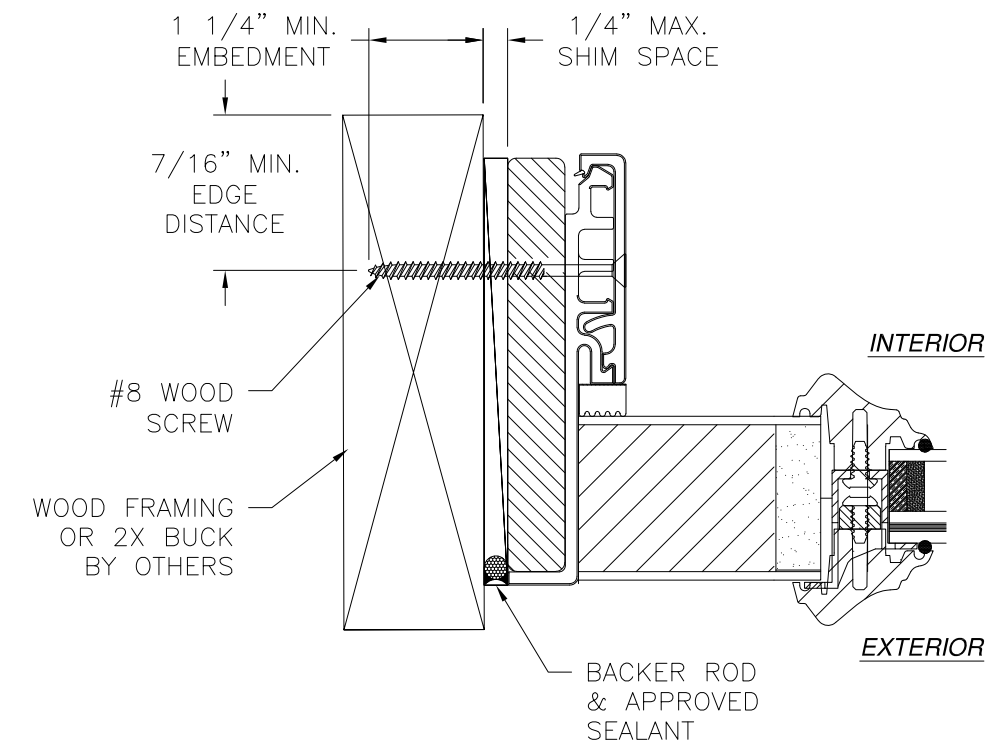
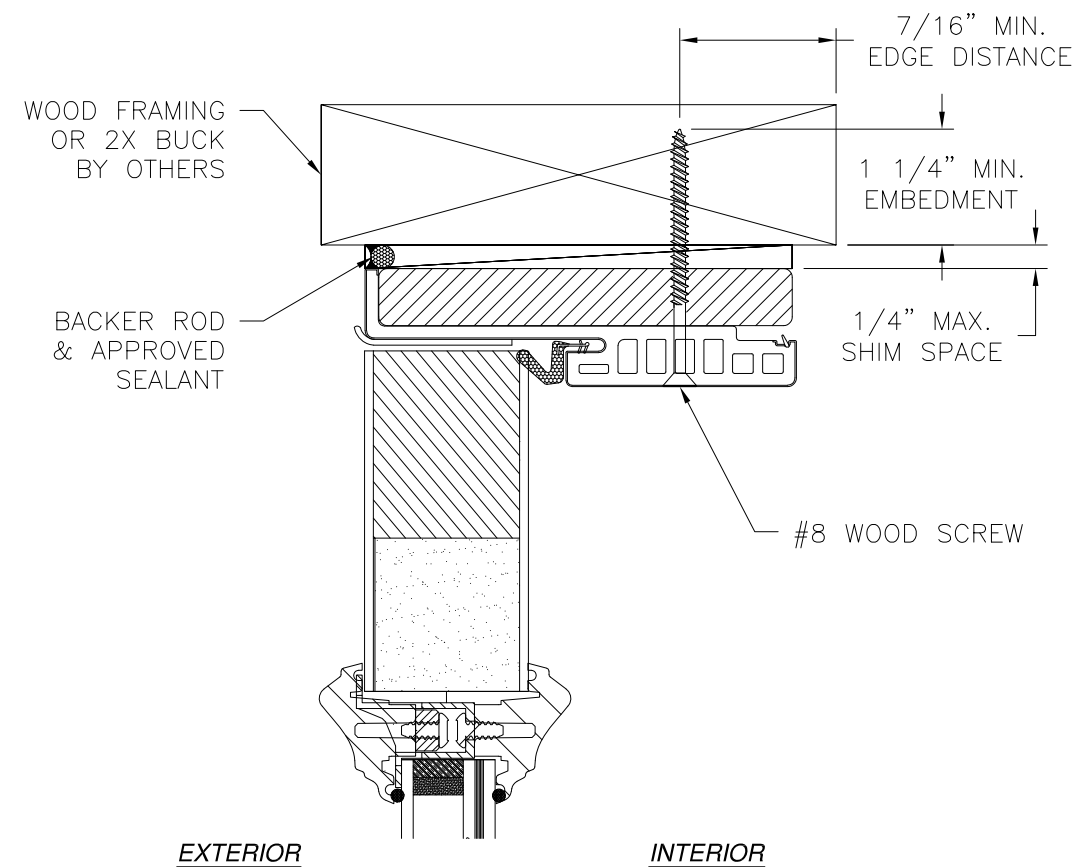
L. ROBERTO LOMAS P.E.
1432 WOODFORD RD LEWISVILLE, NC 27023
434-688-0609 rllomas@rlomaspe.com

SIGNED: 09/09/2021

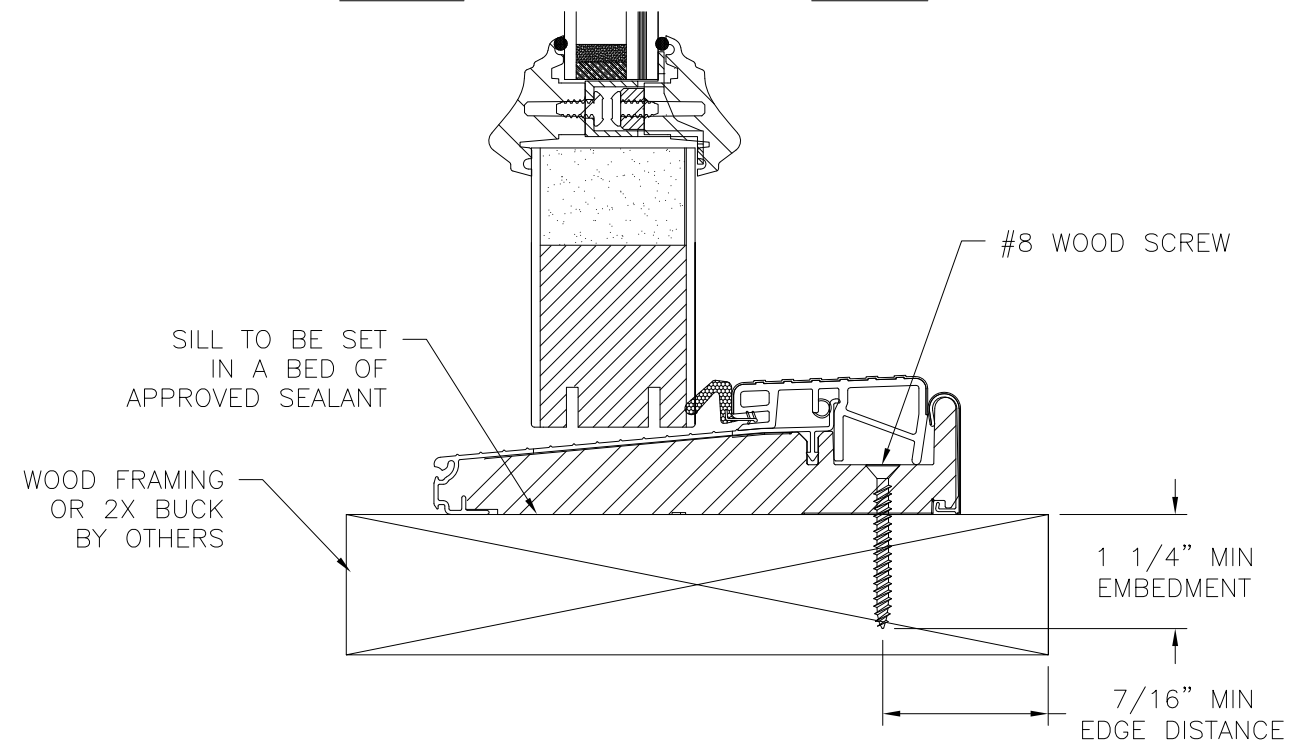


Luis R. Lomas P.E.
FL No.: 62514

REVISIONS			
REV	DESCRIPTION	DATE	APPROVED
B	ADDED MULTILITE PANELS, TRIMS & FRAME	08/31/2021	R.L.



JAMB INSTALLATION DETAIL
DOOR INSTALLATION
WOOD FRAMING OR 2X BUCK INSTALLATION



VERTICAL CROSS SECTION
DOOR INSTALLATION
WOOD FRAMING OR 2X BUCK INSTALLATION

- NOTES:**
1. INTERIOR AND EXTERIOR FINISHES, BY OTHERS, NOT SHOWN FOR CLARITY.
 2. PERIMETER AND JOINT SEALANT BY OTHERS TO BE DESIGNED IN ACCORDANCE WITH ASTM E2112

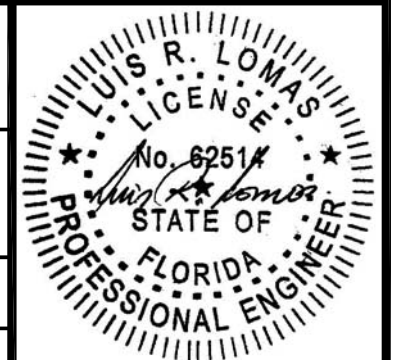
SIGNED: 09/09/2021

PROVIA, LLC.
2150 STATE ROUTE 39 WEST
SUGARCREEK, OH 44681

SIGNET OUTSWING ENTRY DOOR SYSTEM 6'8"
W/PLUGLESS TRIM - IMPACT
INSTALLATION DETAILS W/FUSION FRAME

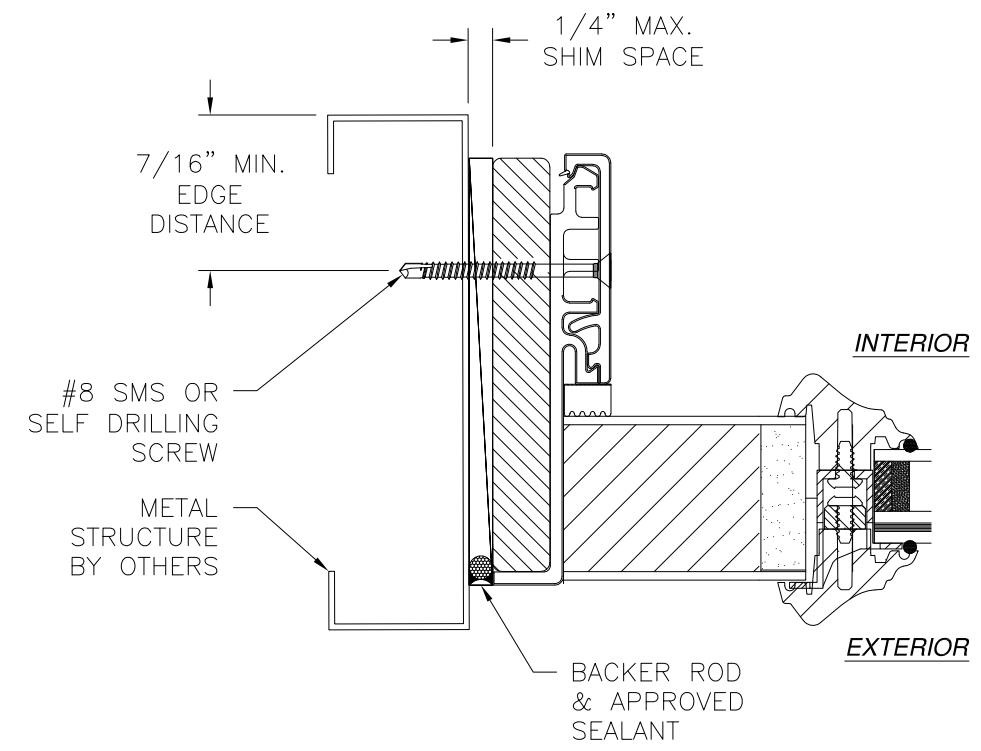
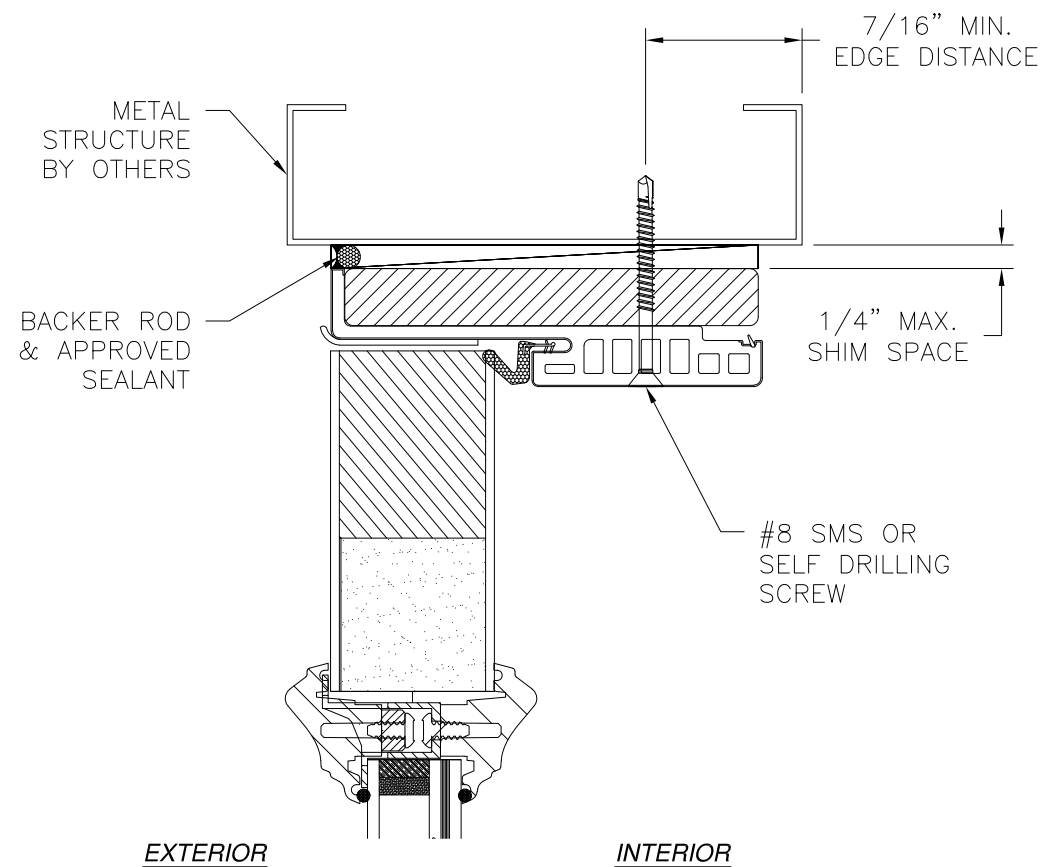
DRAWN: A.R.	DWG NO. 08-03624	REV B
SCALE NTS	DATE 10/13/2020	SHEET 11 OF 21

L. ROBERTO LOMAS P.E.
1432 WOODFORD RD LEWISVILLE, NC 27023
434-688-0609 rllomas@rlomaspe.com

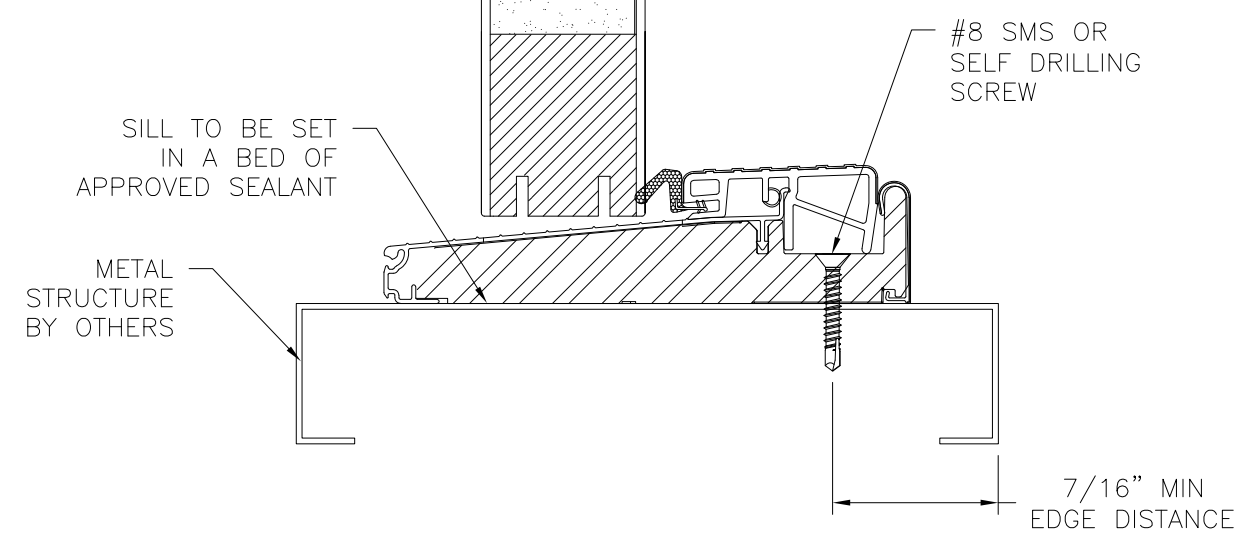


Luis R. Lomas P.E.
FL No.: 62514

REVISIONS			
REV	DESCRIPTION	DATE	APPROVED
B	ADDED MULTILITE PANELS, TRIMS & FRAME	08/31/2021	R.L.



JAMB INSTALLATION DETAIL
DOOR INSTALLATION
METAL STRUCTURE INSTALLATION



VERTICAL CROSS SECTION
DOOR INSTALLATION
METAL STRUCTURE INSTALLATION

- NOTES:**
1. INTERIOR AND EXTERIOR FINISHES, BY OTHERS, NOT SHOWN FOR CLARITY.
 2. PERIMETER AND JOINT SEALANT BY OTHERS TO BE DESIGNED IN ACCORDANCE WITH ASTM E2112

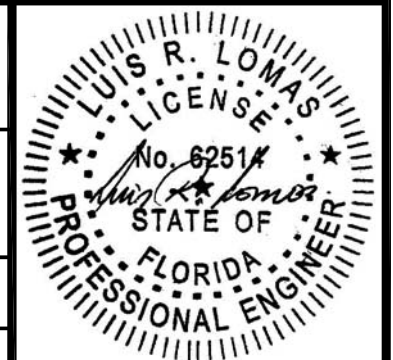
SIGNED: 09/09/2021

PROVIA, LLC.
2150 STATE ROUTE 39 WEST
SUGARCREEK, OH 44681

SIGNET OUTSWING ENTRY DOOR SYSTEM 6'8"
W/PLUGLESS TRIM - IMPACT
INSTALLATION DETAILS W/FUSION FRAME

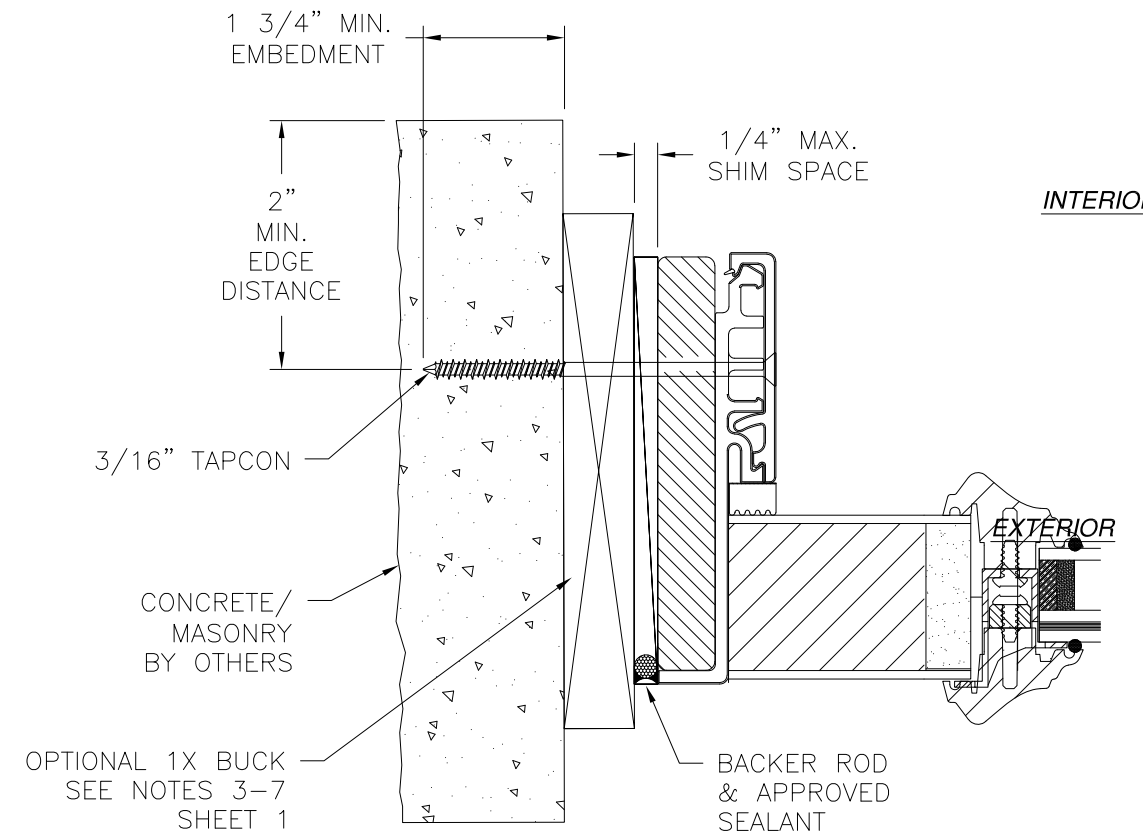
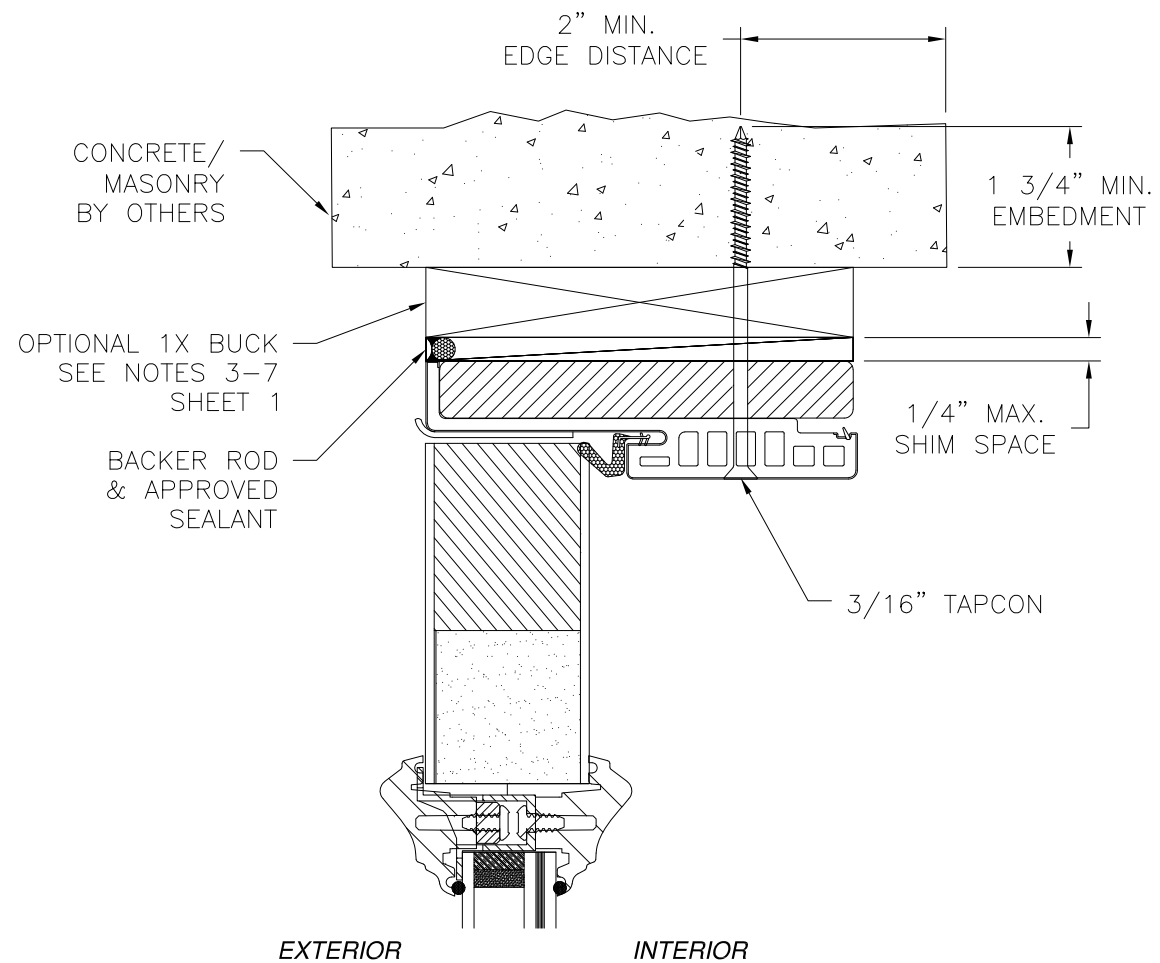
DRAWN: A.R.	DWG NO. 08-03624	REV B
SCALE NTS	DATE 10/13/2020	SHEET 12 OF 21

L. ROBERTO LOMAS P.E.
1432 WOODFORD RD LEWISVILLE, NC 27023
434-688-0609 rllomas@rlomaspe.com



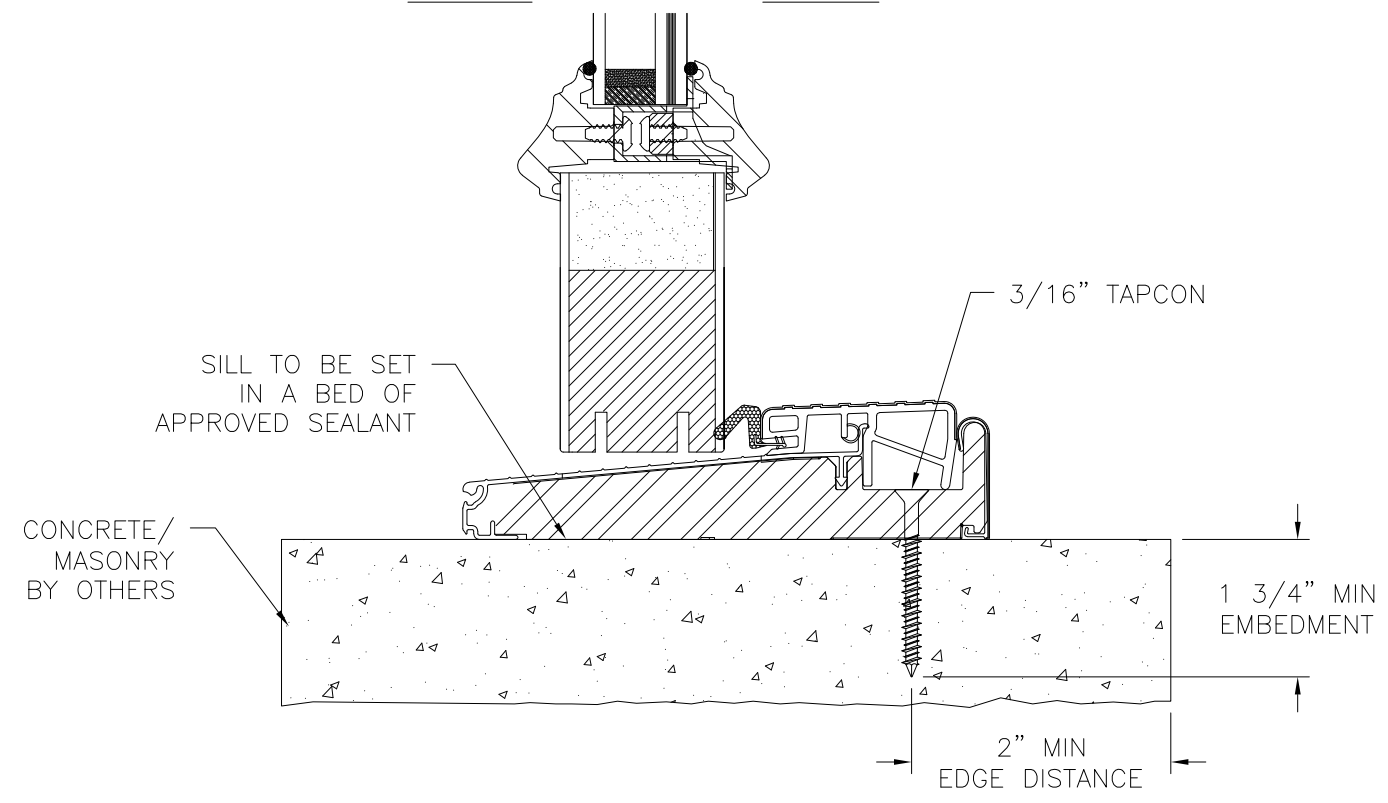
Luis R. Lomas P.E.
FL No.: 62514

REVISIONS			
REV	DESCRIPTION	DATE	APPROVED
B	ADDED MULTILITE PANELS, TRIMS & FRAME	08/31/2021	R.L.



JAMB INSTALLATION DETAIL
DOOR INSTALLATION
CONCRETE/MASONRY INSTALLATION

- NOTES:**
1. INTERIOR AND EXTERIOR FINISHES, BY OTHERS, NOT SHOWN FOR CLARITY.
 2. PERIMETER AND JOINT SEALANT BY OTHERS TO BE DESIGNED IN ACCORDANCE WITH ASTM E2112



VERTICAL CROSS SECTION
DOOR INSTALLATION
CONCRETE/MASONRY INSTALLATION

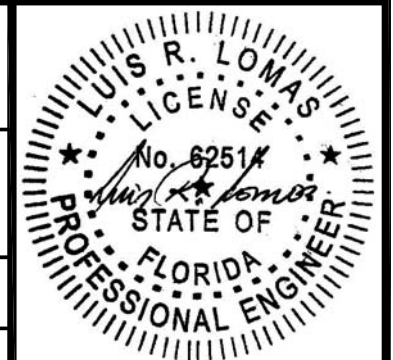
SIGNED: 09/09/2021

PROVIA, LLC.
2150 STATE ROUTE 39 WEST
SUGARCREEK, OH 44681

SIGNET OUTSWING ENTRY DOOR SYSTEM 6'8"
W/PLUGLESS TRIM - IMPACT
INSTALLATION DETAILS W/FUSION FRAME

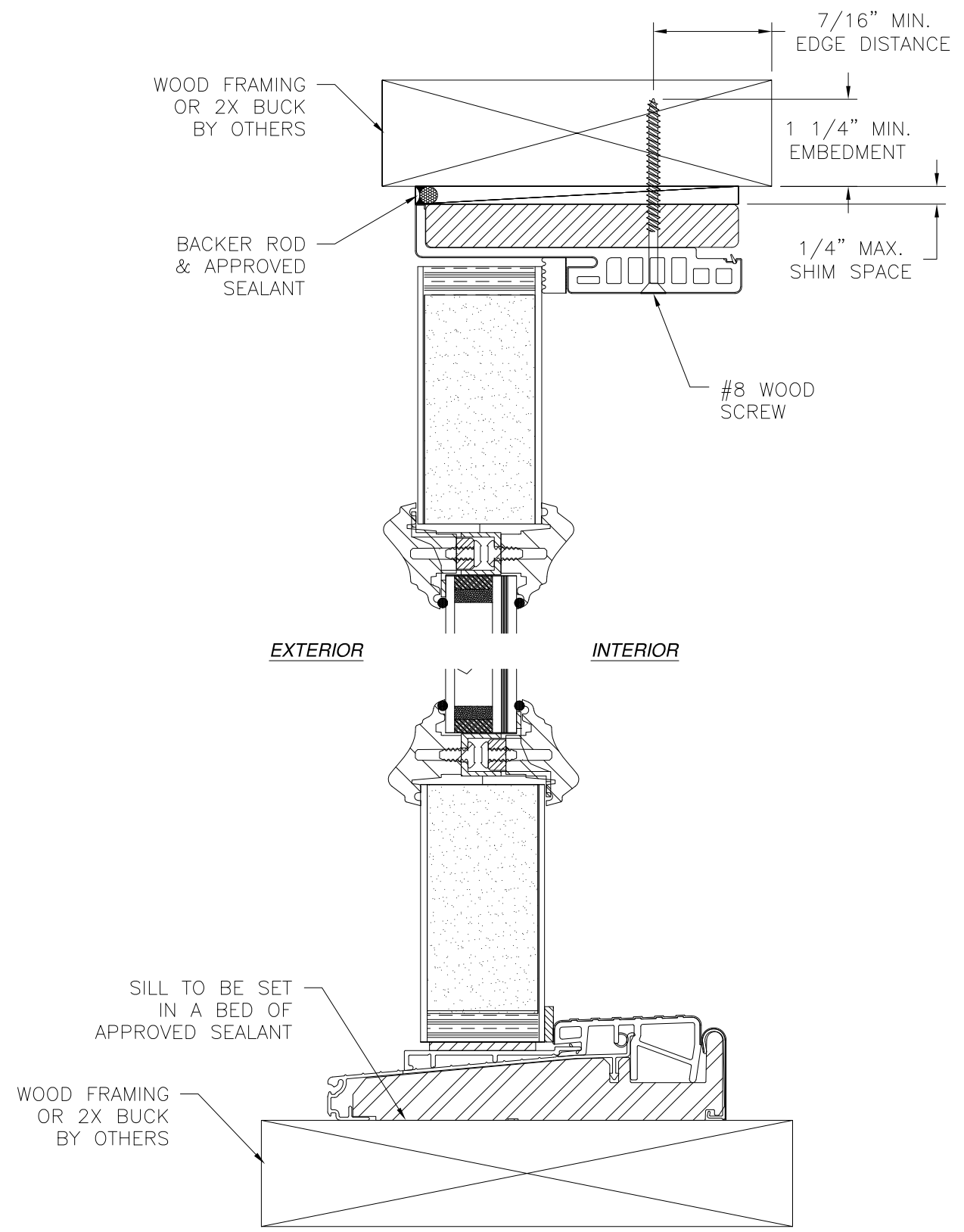
DRAWN: A.R.	DWG NO. 08-03624	REV B
SCALE NTS	DATE 10/13/2020	SHEET 13 OF 21

L. ROBERTO LOMAS P.E.
1432 WOODFORD RD LEWISVILLE, NC 27023
434-688-0609 rllomas@rlomaspe.com

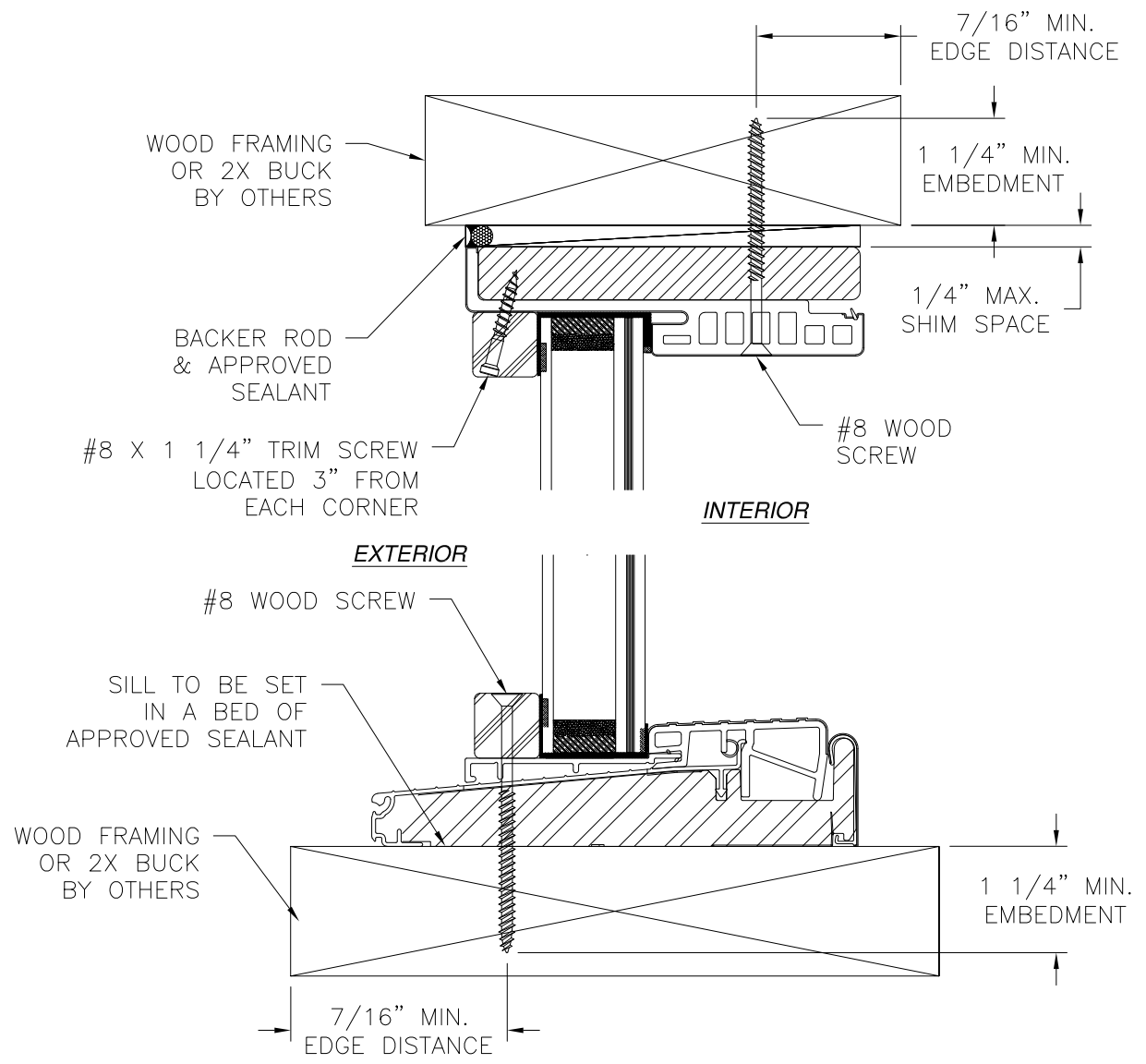


Luis R. Lomas P.E.
FL No.: 62514

REVISIONS			
REV	DESCRIPTION	DATE	APPROVED
B	ADDED MULTILITE PANELS, TRIMS & FRAME	08/31/2021	R.L.



**VERTICAL CROSS SECTION
STANDARD SIDELITE INSTALLATION
WOOD FRAMING OR 2X BUCK INSTALLATION**



**VERTICAL CROSS SECTION
DIRECT SET SIDELITE INSTALLATION
WOOD FRAMING OR 2X BUCK INSTALLATION**

- NOTES:**
1. INTERIOR AND EXTERIOR FINISHES, BY OTHERS, NOT SHOWN FOR CLARITY.
 2. PERIMETER AND JOINT SEALANT BY OTHERS TO BE DESIGNED IN ACCORDANCE WITH ASTM E2112

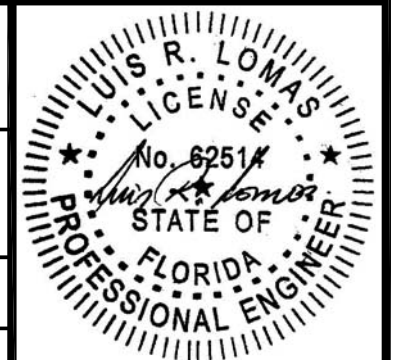
PROVIA, LLC.
2150 STATE ROUTE 39 WEST
SUGARCREEK, OH 44681

SIGNET OUTSWING ENTRY DOOR SYSTEM 6'8"
W/PLUGLESS TRIM - IMPACT
INSTALLATION DETAILS W/FUSION FRAME

DRAWN: A.R.	DWG NO. 08-03624	REV B
SCALE NTS	DATE 10/13/2020	SHEET 14 OF 21

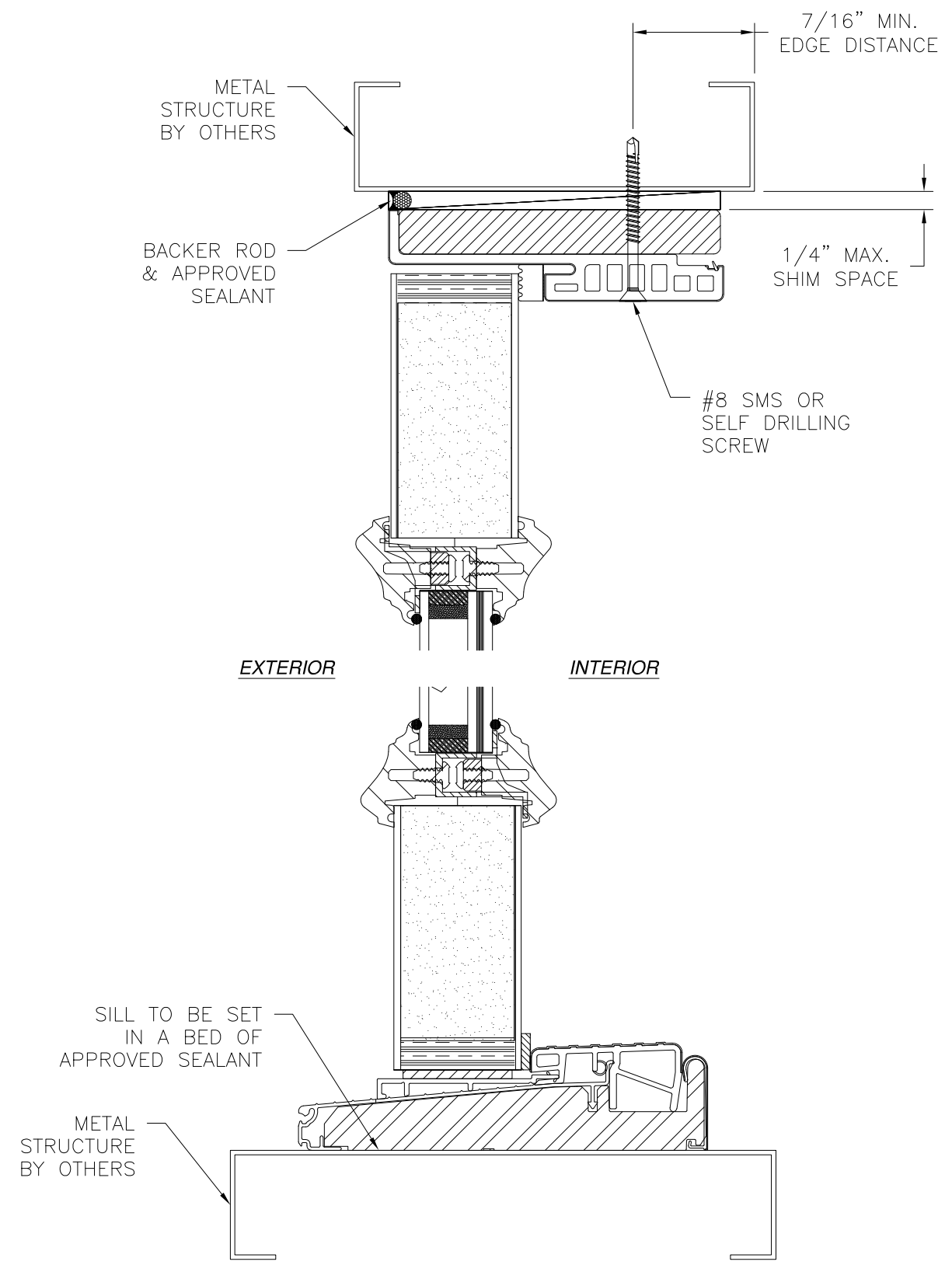
L. ROBERTO LOMAS P.E.
1432 WOODFORD RD LEWISVILLE, NC 27023
434-688-0609 rllomas@rlomaspe.com

SIGNED: 09/09/2021

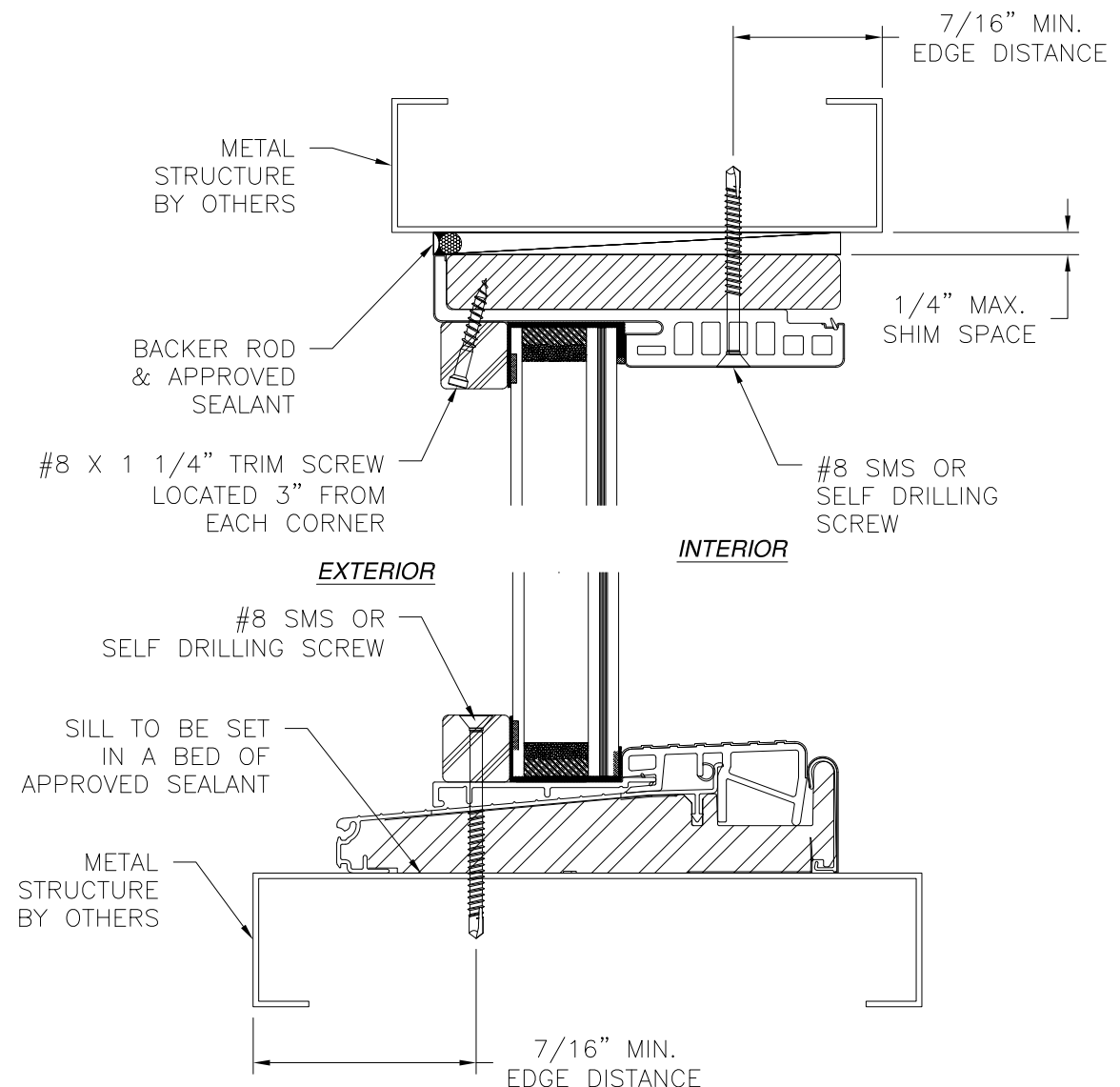


Luis R. Lomas P.E.
FL No.: 62514

REVISIONS			
REV	DESCRIPTION	DATE	APPROVED
B	ADDED MULTILITE PANELS, TRIMS & FRAME	08/31/2021	R.L.



VERTICAL CROSS SECTION
STANDARD SIDELITE INSTALLATION
METAL STRUCTURE INSTALLATION



VERTICAL CROSS SECTION
DIRECT SET SIDELITE INSTALLATION
METAL STRUCTURE INSTALLATION

- NOTES:**
1. INTERIOR AND EXTERIOR FINISHES, BY OTHERS, NOT SHOWN FOR CLARITY.
 2. PERIMETER AND JOINT SEALANT BY OTHERS TO BE DESIGNED IN ACCORDANCE WITH ASTM E2112

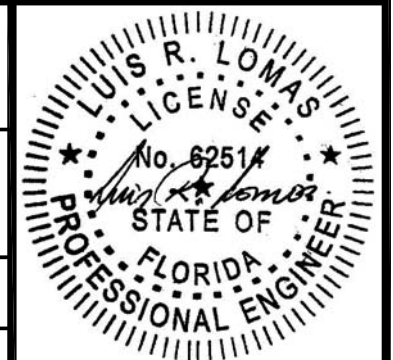
PROVIA, LLC.
2150 STATE ROUTE 39 WEST
SUGARCREEK, OH 44681

SIGNET OUTSWING ENTRY DOOR SYSTEM 6'8"
W/PLUGLESS TRIM - IMPACT
INSTALLATION DETAILS W/FUSION FRAME

DRAWN: A.R.	DWG NO. 08-03624	REV B
SCALE NTS	DATE 10/13/2020	SHEET 15 OF 21

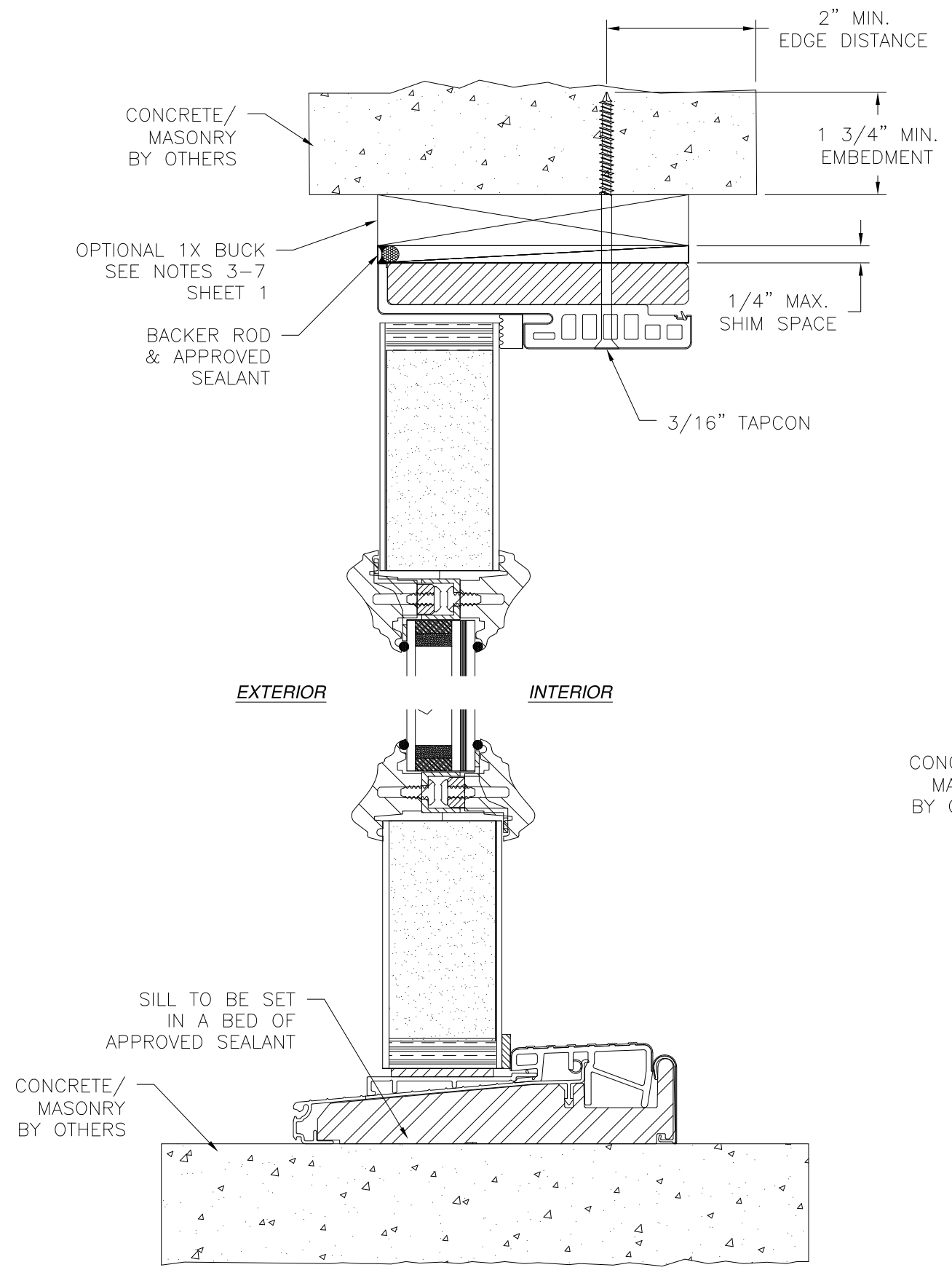
L. ROBERTO LOMAS P.E.
1432 WOODFORD RD LEWISVILLE, NC 27023
434-688-0609 rllomas@rlomaspe.com

SIGNED: 09/09/2021

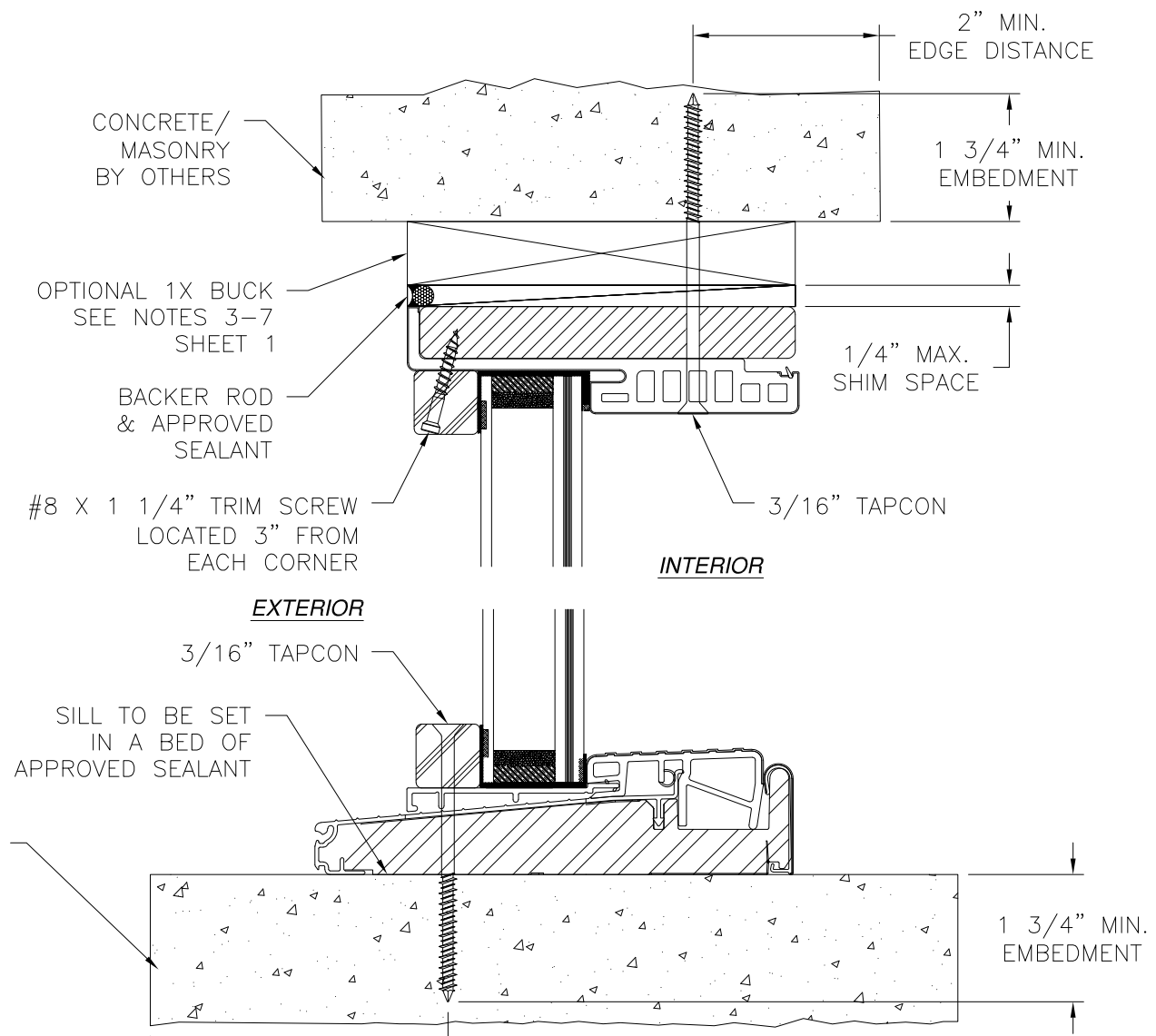


Luis R. Lomas P.E.
FL No.: 62514

REVISIONS			
REV	DESCRIPTION	DATE	APPROVED
B	ADDED MULTILITE PANELS, TRIMS & FRAME	08/31/2021	R.L.



VERTICAL CROSS SECTION
STANDARD SIDELITE INSTALLATION
CONCRETE/MASONRY INSTALLATION



VERTICAL CROSS SECTION
DIRECT SET SIDELITE INSTALLATION
CONCRETE/MASONRY INSTALLATION

- NOTES:**
1. INTERIOR AND EXTERIOR FINISHES, BY OTHERS, NOT SHOWN FOR CLARITY.
 2. PERIMETER AND JOINT SEALANT BY OTHERS TO BE DESIGNED IN ACCORDANCE WITH ASTM E2112

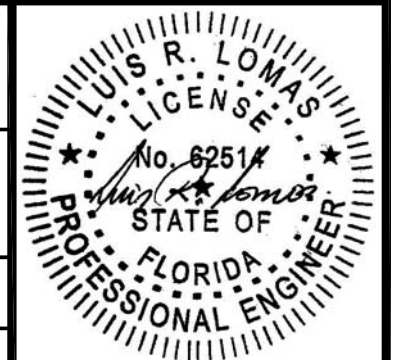
SIGNED: 09/09/2021

PROVIA, LLC.
2150 STATE ROUTE 39 WEST
SUGARCREEK, OH 44681

SIGNET OUTSWING ENTRY DOOR SYSTEM 6'8"
W/PLUGLESS TRIM - IMPACT
INSTALLATION DETAILS W/FUSION FRAME

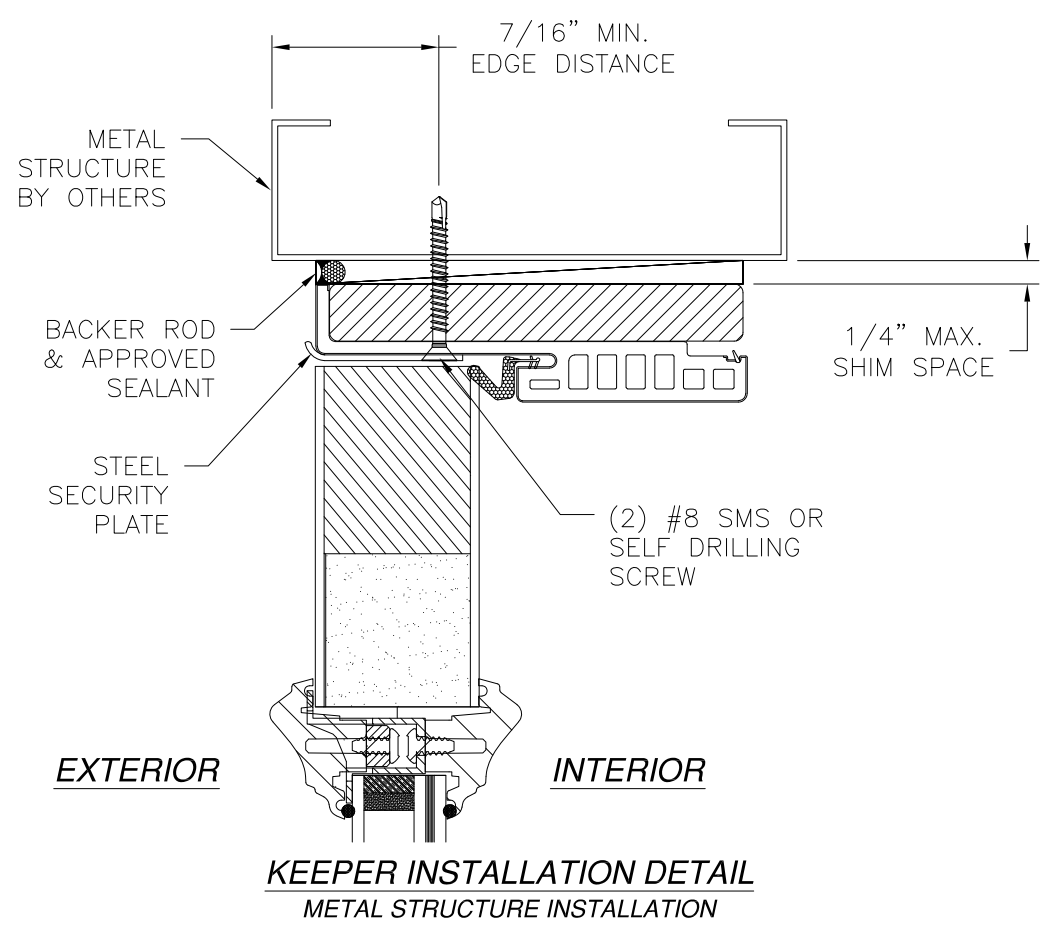
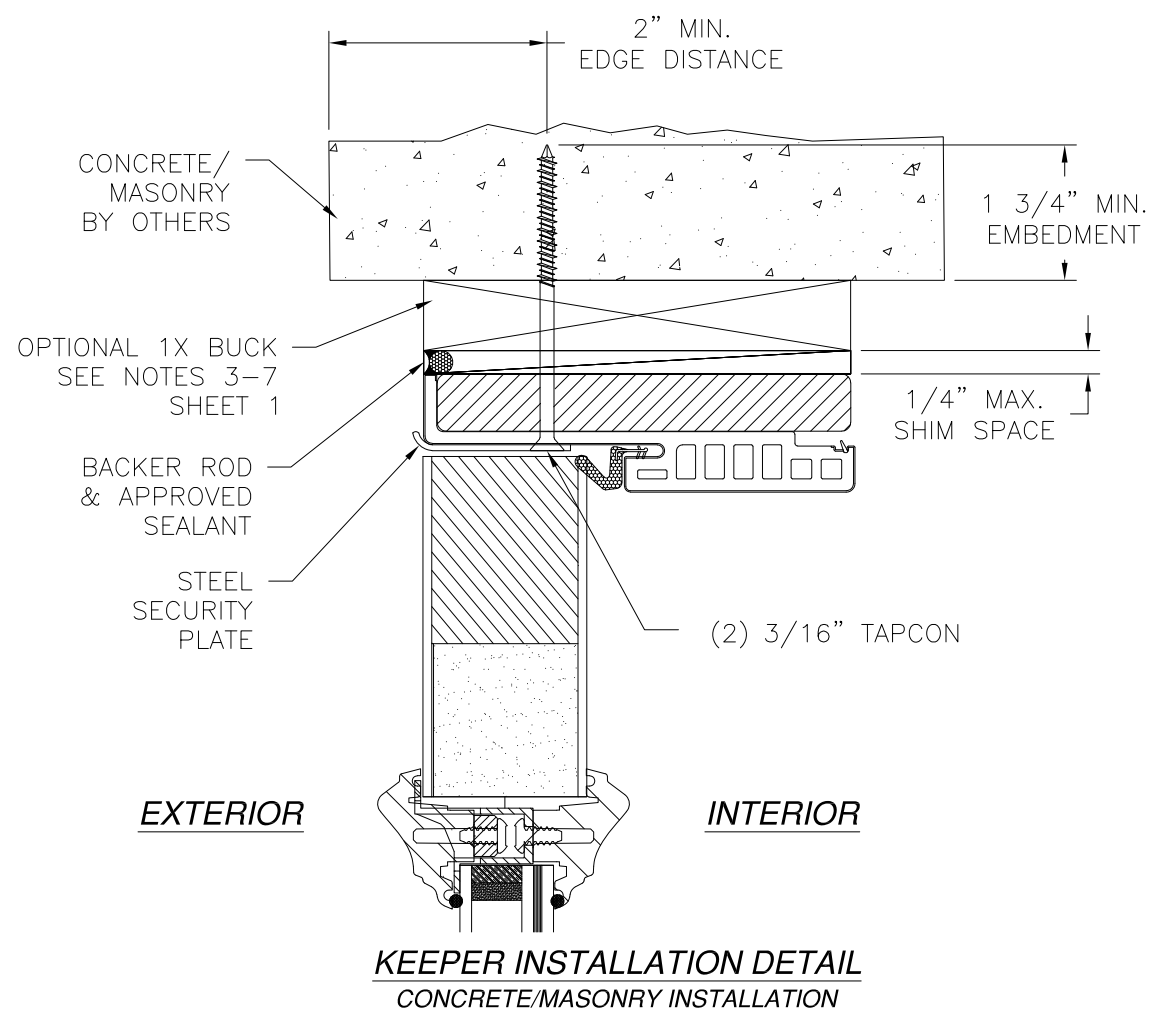
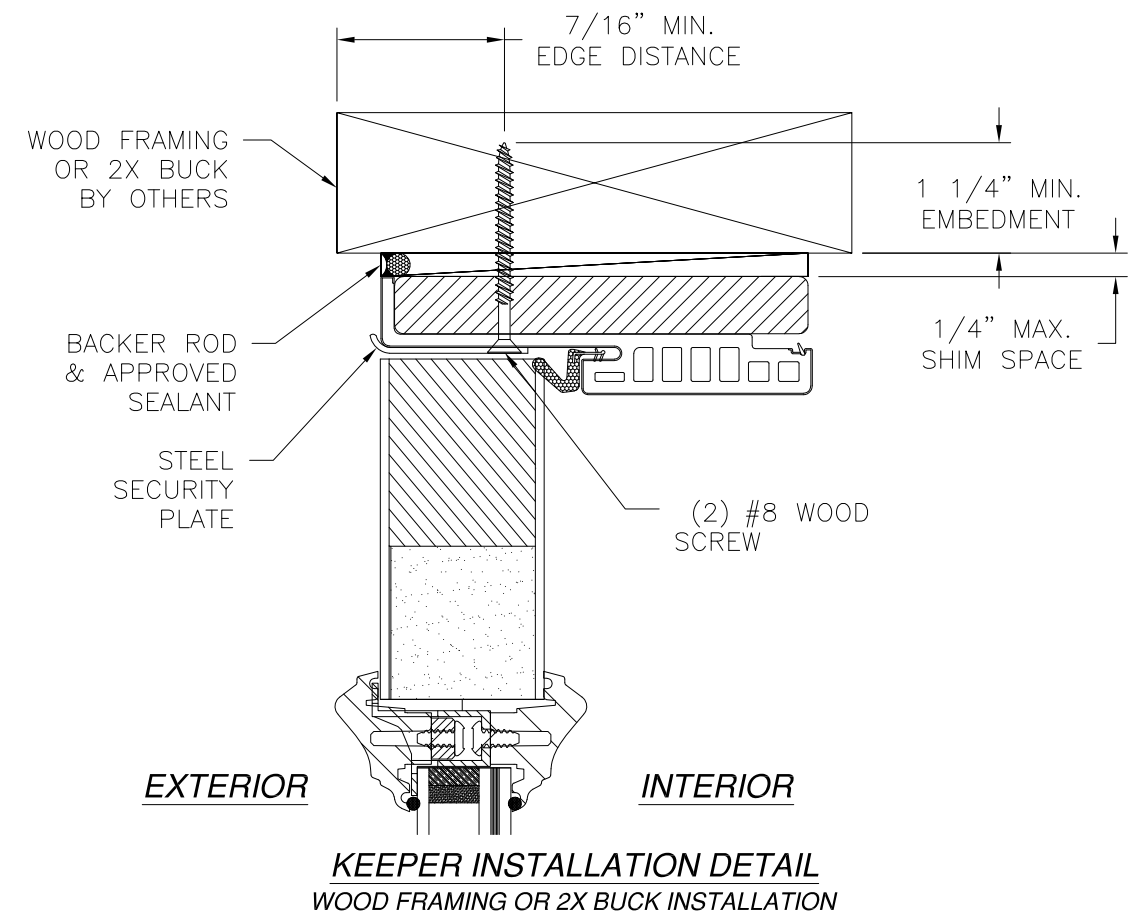
DRAWN: A.R.	DWG NO. 08-03624	REV B
SCALE NTS	DATE 10/13/2020	SHEET 16 OF 21

L. ROBERTO LOMAS P.E.
1432 WOODFORD RD LEWISVILLE, NC 27023
434-688-0609 rllomas@lrlomaspe.com



Luis R. Lomas P.E.
FL No.: 62514

REVISIONS			
REV	DESCRIPTION	DATE	APPROVED
B	ADDED MULTILITE PANELS, TRIMS & FRAME	08/31/2021	R.L.



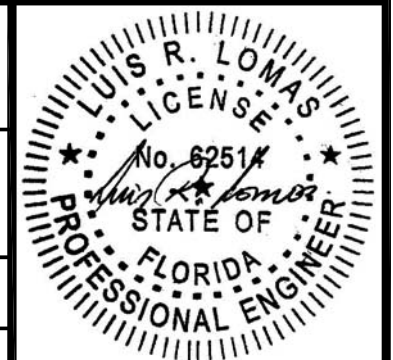
PROVIA, LLC.
2150 STATE ROUTE 39 WEST
SUGARCREEK, OH 44681

SIGNET OUTSWING ENTRY DOOR SYSTEM 6'8"
W/PLUGLESS TRIM - IMPACT
INSTALLATION DETAILS W/FUSION FRAME

DRAWN: A.R.	DWG NO. 08-03624	REV B
SCALE NTS	DATE 10/13/2020	SHEET 17 OF 21

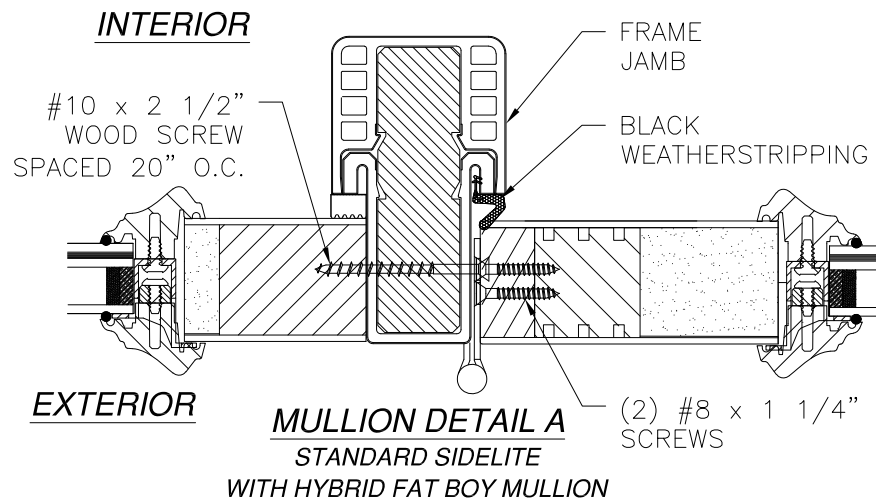
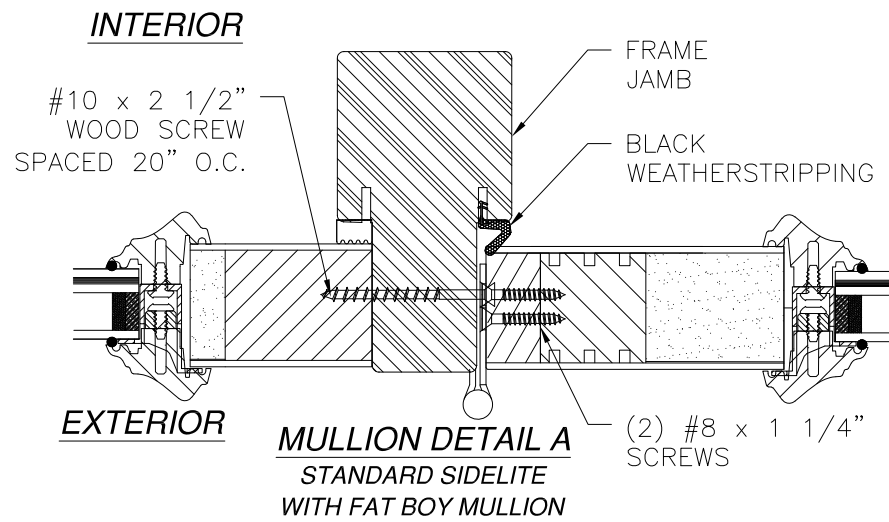
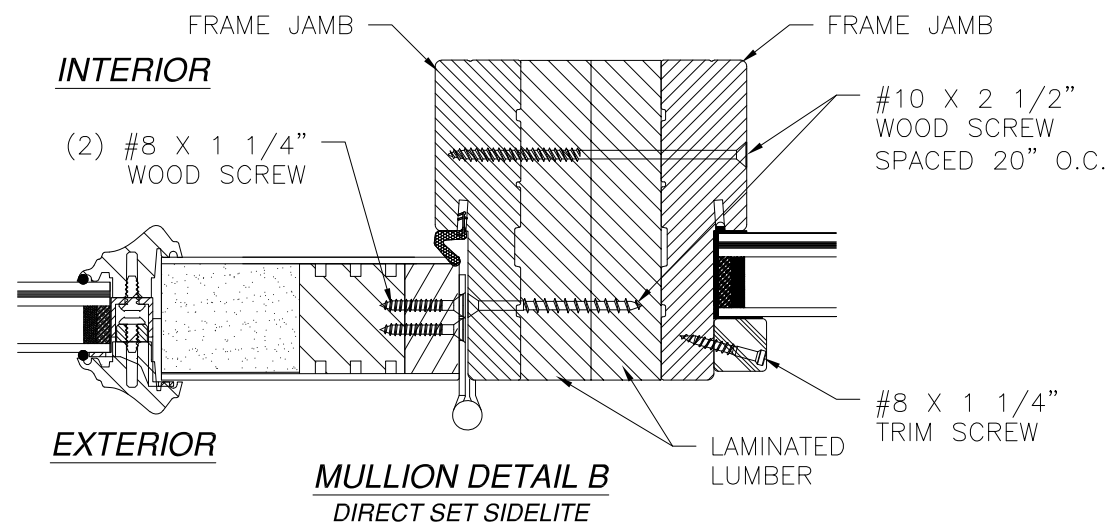
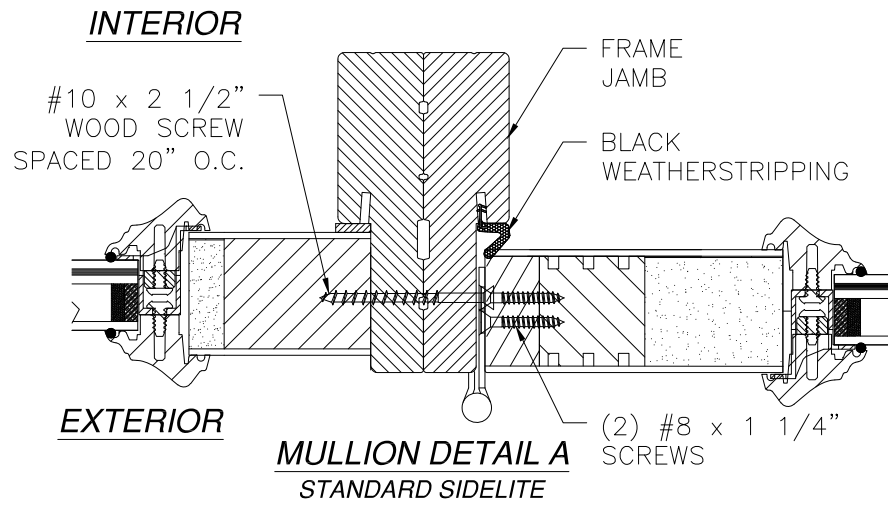
L. ROBERTO LOMAS P.E.
1432 WOODFORD RD LEWISVILLE, NC 27023
434-688-0609 rllomas@rlomaspe.com

SIGNED: 09/09/2021



Luis R. Lomas P.E.
FL No.: 62514

REVISIONS			
REV	DESCRIPTION	DATE	APPROVED
B	ADDED MULTILITE PANELS, TRIMS & FRAME	08/31/2021	R.L.



SIGNED: 09/09/2021

PROVIA, LLC.
2150 STATE ROUTE 39 WEST
SUGARCREEK, OH 44681

SIGNET OUTSWING ENTRY DOOR SYSTEM 6'8"
W/PLUGLESS TRIM - IMPACT
MULLION DETAILS

DRAWN: A.R.	DWG NO. 08-03624	REV B
SCALE NTS	DATE 10/13/2020	SHEET 18 OF 21

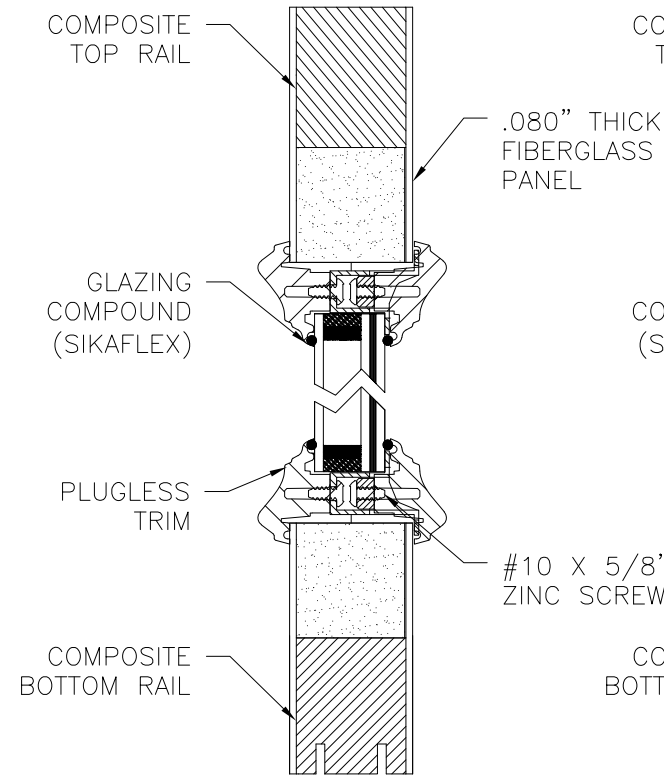
L. ROBERTO LOMAS P.E.
1432 WOODFORD RD LEWISVILLE, NC 27023
434-688-0609 rllomas@rlomaspe.com



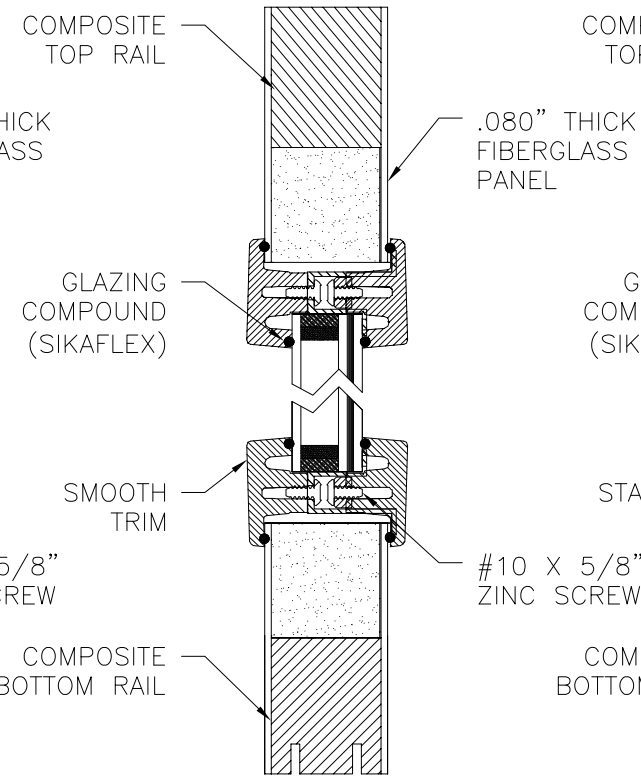
Luis R. Lomas P.E.
FL No.: 62514

APPROVED SLABS AND TRIMS

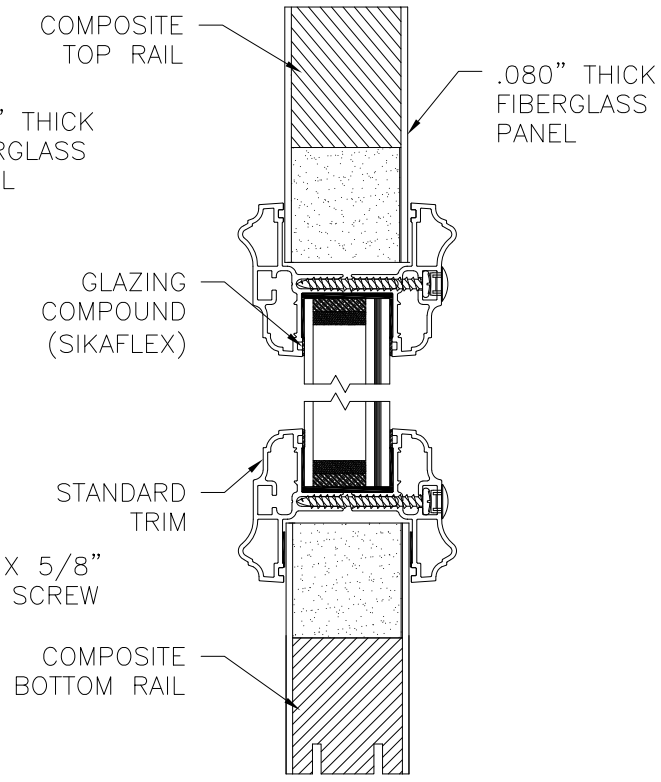
REVISIONS			
REV	DESCRIPTION	DATE	APPROVED
B	ADDED MULTILITE PANELS, TRIMS & FRAME	08/31/2021	R.L.



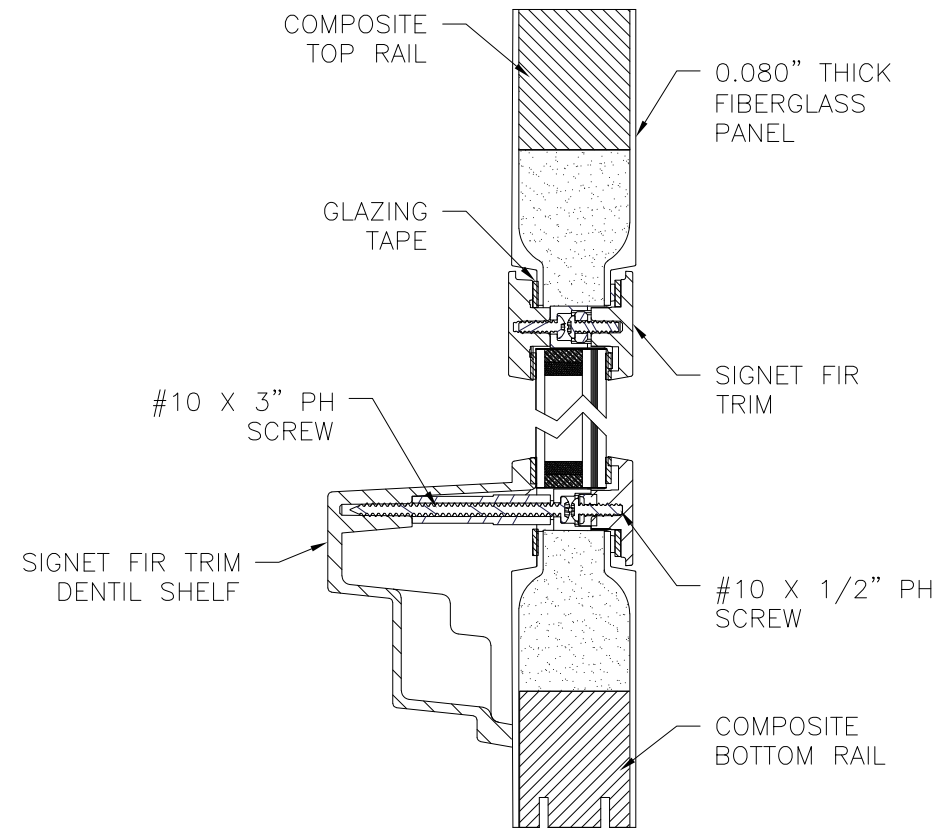
PANEL OPTION 1
PLUGLESS TRIM



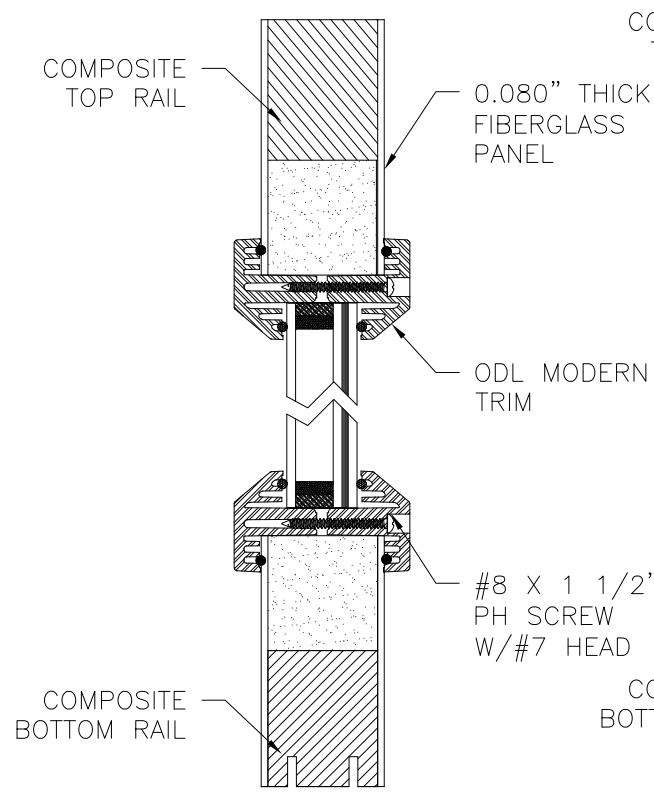
PANEL OPTION 2
SMOOTH TRIM



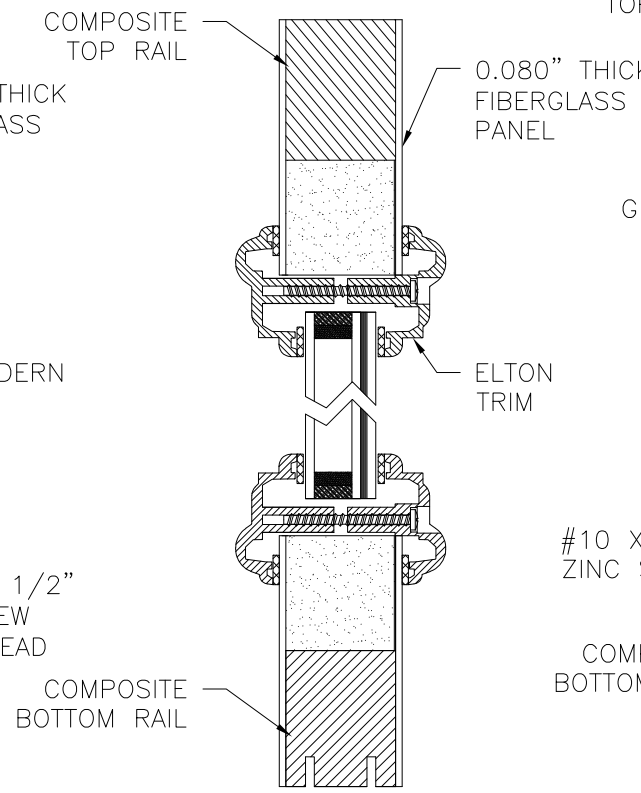
PANEL OPTION 3
STANDARD TRIM



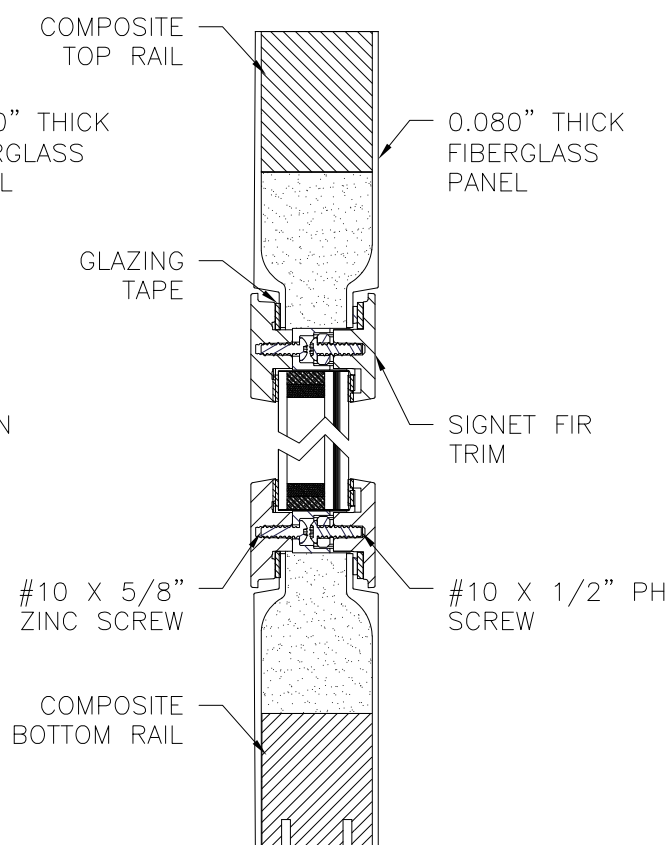
OPTION 7
SIGNET FIR &
DENTIL SHELF TRIM



OPTION 4
ODL MODERN TRIM



OPTION 5
ELTON TRIM



OPTION 6
SIGNET FIR TRIM

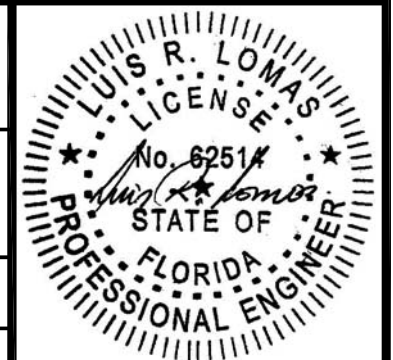
PROVIA, LLC.
2150 STATE ROUTE 39 WEST
SUGARCREEK, OH 44681

SIGNET OUTSWING ENTRY DOOR SYSTEM 6'8"
W/PLUGLESS TRIM - IMPACT
APPROVED SLABS AND TRIMS

DRAWN: A.R.	DWG NO. 08-03624	REV B
SCALE NTS	DATE 10/13/2020	SHEET 19 OF 21

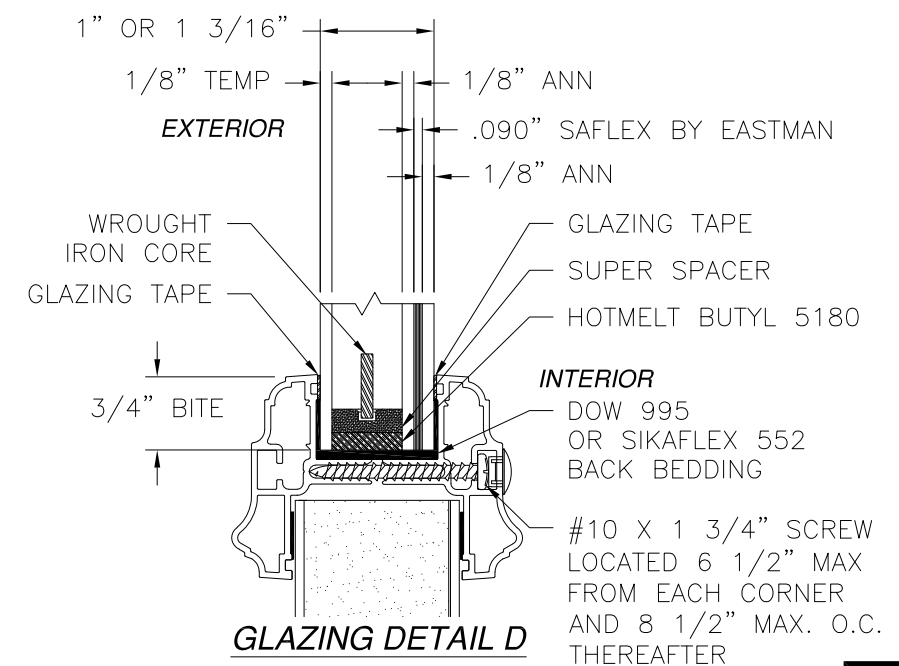
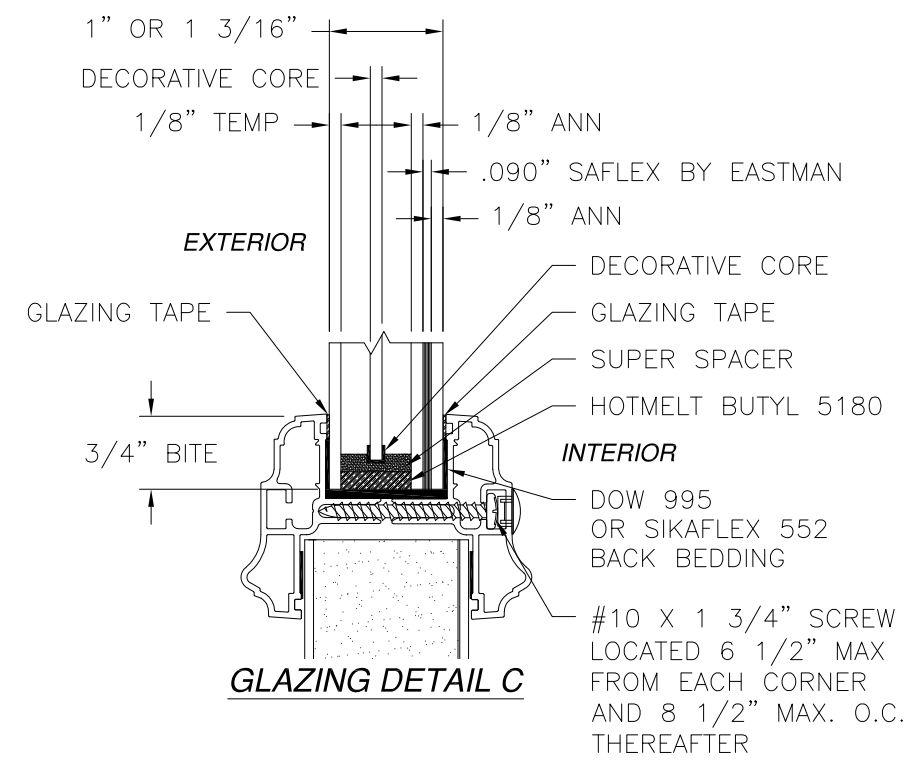
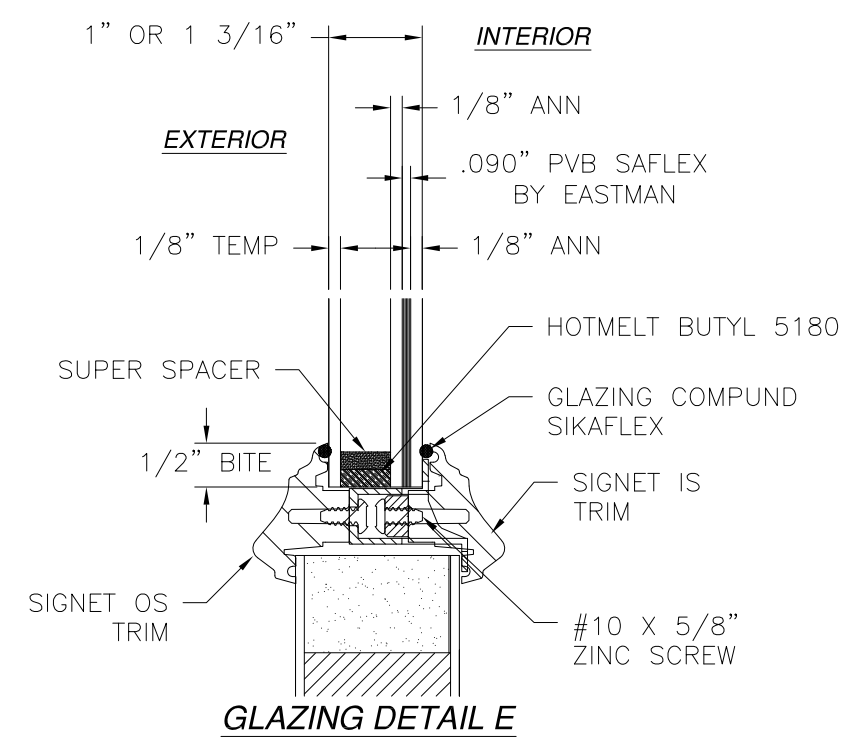
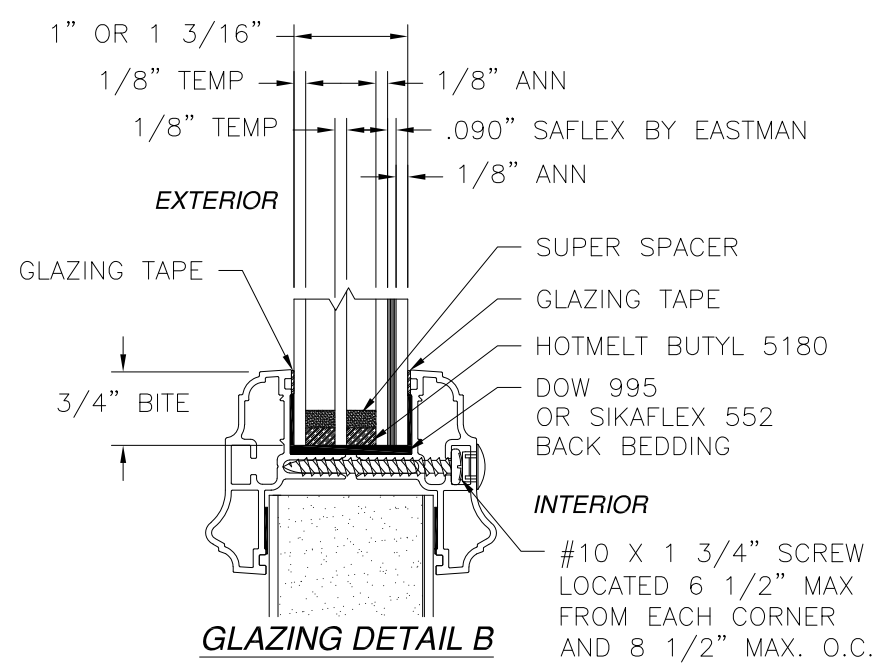
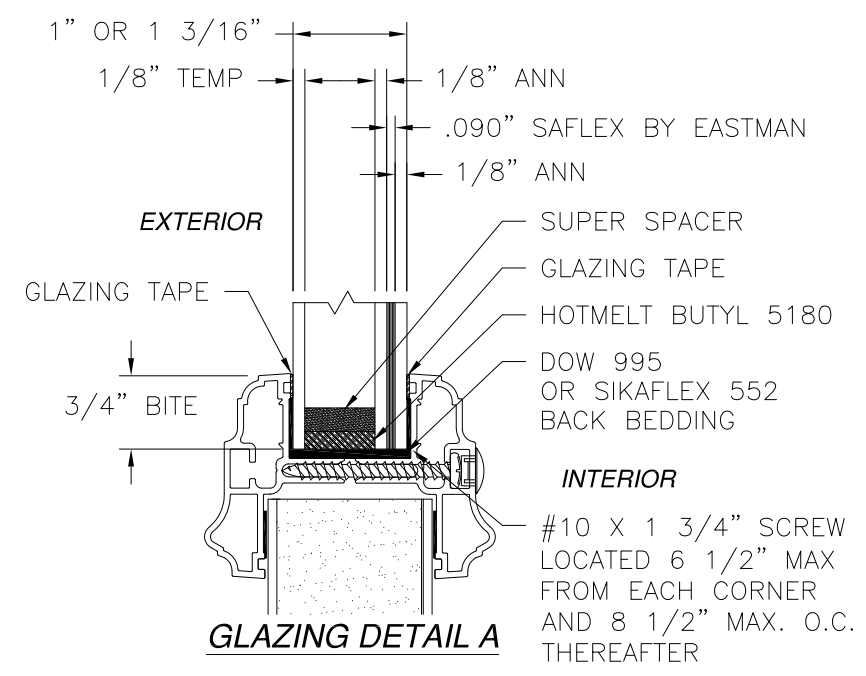
L. ROBERTO LOMAS P.E.
1432 WOODFORD RD LEWISVILLE, NC 27023
434-688-0609 rllomas@rlomaspe.com

SIGNED: 09/09/2021



Luis R. Lomas P.E.
FL No.: 62514

REVISIONS			
REV	DESCRIPTION	DATE	APPROVED
B	ADDED MULTILITE PANELS, TRIMS & FRAME	08/31/2021	R.L.



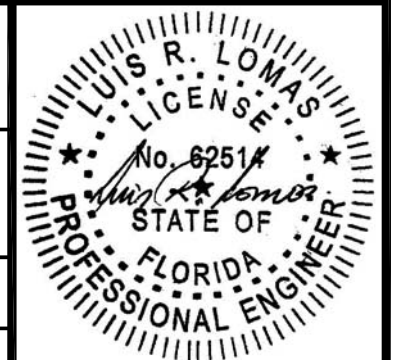
SIGNED: 09/09/2021

PROVIA, LLC.
 2150 STATE ROUTE 39 WEST
 SUGARCREEK, OH 44681

SIGNET OUTSWING ENTRY DOOR SYSTEM 6'8"
 W/PLUGLESS TRIM - IMPACT
 GLAZING DETAILS

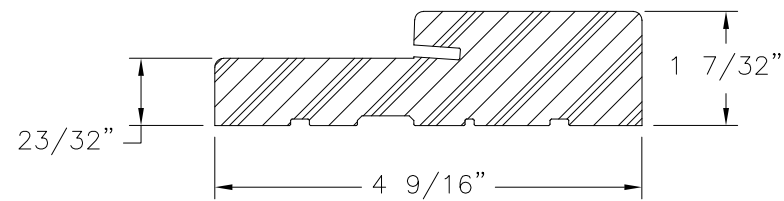
DRAWN: A.R.	DWG NO. 08-03624	REV B
SCALE NTS	DATE 10/13/2020	SHEET 20 OF 21

L. ROBERTO LOMAS P.E.
 1432 WOODFORD RD LEWISVILLE, NC 27023
 434-688-0609 rllomas@rlomaspe.com

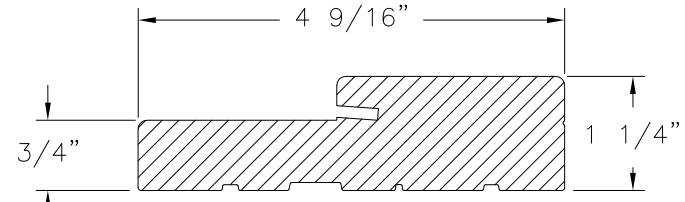


Luis R. Lomas P.E.
 FL No.: 62514

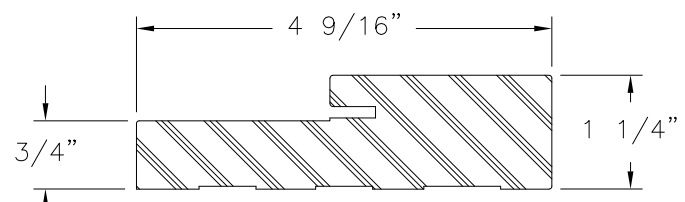
REVISIONS			
REV	DESCRIPTION	DATE	APPROVED
B	ADDED MULTILITE PANELS, TRIMS & FRAME	08/31/2021	R.L.



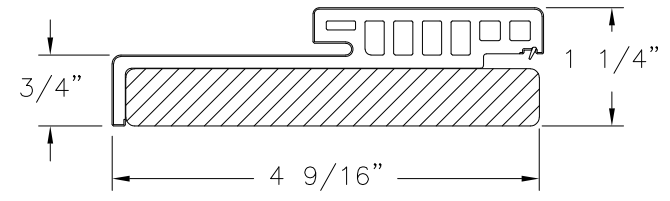
**FRAMESAVER
COMPOSITE**



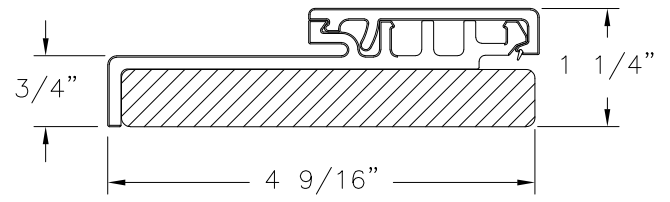
WOOD FRAME PROFILE



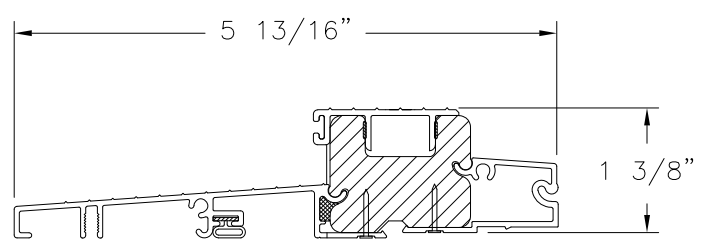
COMPOSITE FRAME PROFILE



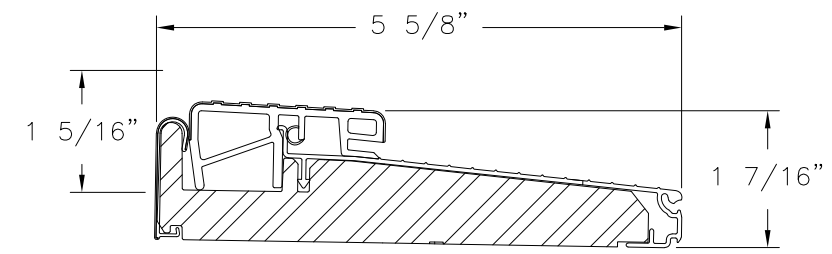
**HYBRID HEAD
WOOD/COMPOSITE**



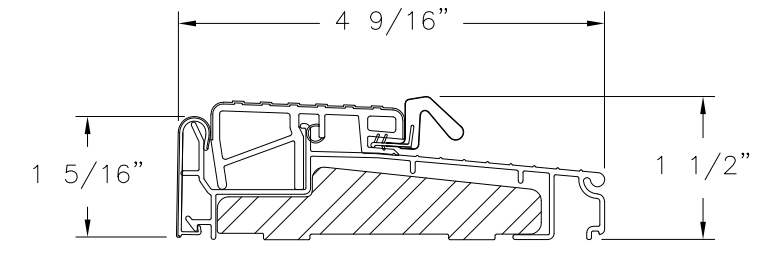
**HYBRID JAMB
WOOD/COMPOSITE**



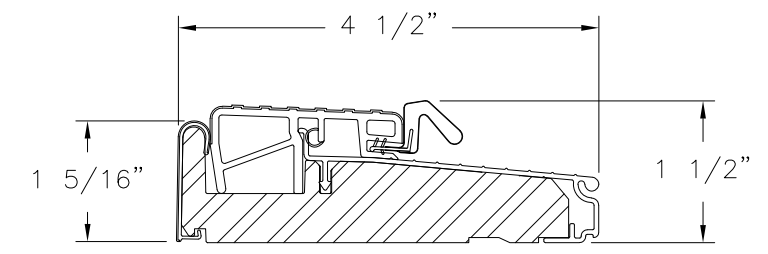
ADA THRESHOLD



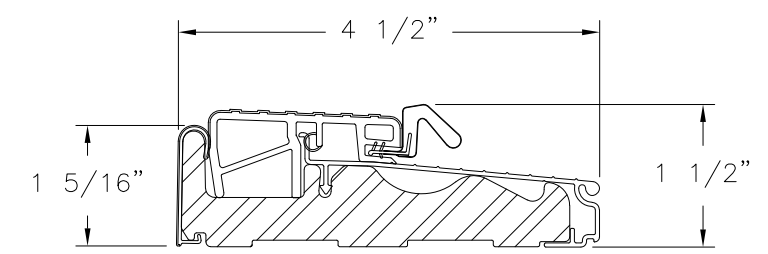
ENDURA OUTSWING SILL ZOB



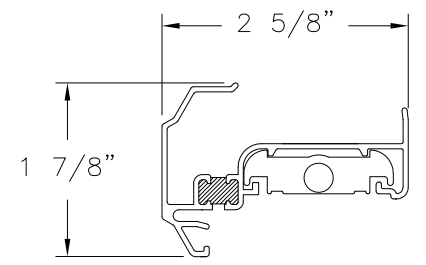
OUTSWING SILL ZOBL4565



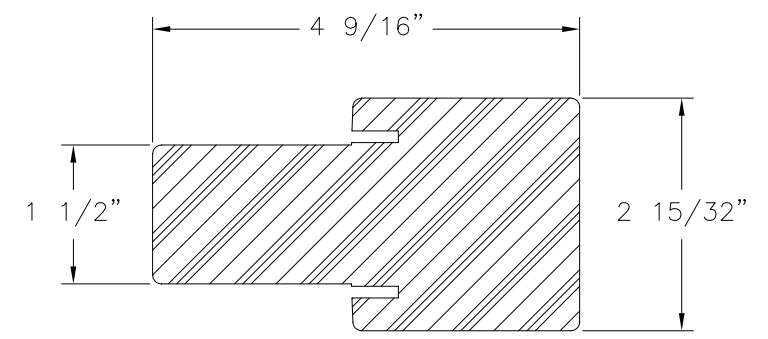
OUTSWING SILL ZOB4565F



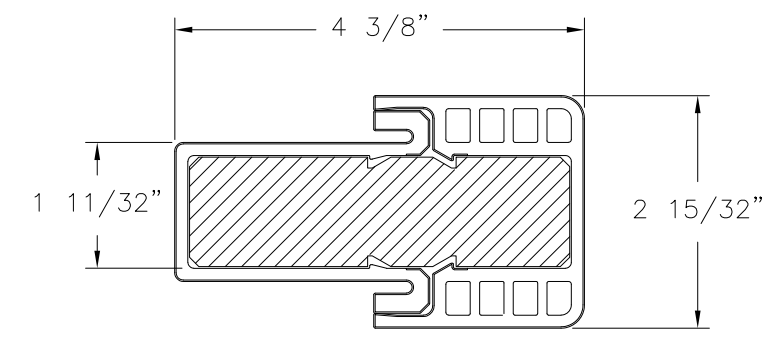
OUTSWING SILL ZOBLH4565



**ASTRAGAL WITH
THERMAL BREAK ASSEMBLY**



**FAT BOY MULLION
COMPOSITE**



**HYBRID FAT BOY MULLION
COMPOSITE**

PROVIA, LLC.
2150 STATE ROUTE 39 WEST
SUGARCREEK, OH 44681

SIGNET OUTSWING ENTRY DOOR SYSTEM 6'8"
W/PLUGLESS TRIM - IMPACT
COMPONENTS AND GLAZING DETAIL

DRAWN: A.R.	DWG NO. 08-03624	REV B
SCALE NTS	DATE 10/13/2020	SHEET 21 OF 21

L. ROBERTO LOMAS P.E.
1432 WOODFORD RD LEWISVILLE, NC 27023
434-688-0609 rllomas@rlomaspe.com

SIGNED: 09/09/2021



Luis R. Lomas P.E.
FL No.: 62514