

REVISIONS			
REV	DESCRIPTION	DATE	APPROVED
B	ADDED MULTILITE PANELS, TRIMS & FRAME	08/31/2021	R.L.

NOTES:

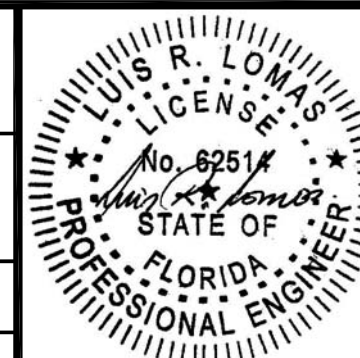
1. THE PRODUCT SHOWN HEREIN IS DESIGNED AND MANUFACTURED TO COMPLY WITH REQUIREMENTS OF THE FLORIDA BUILDING CODE.
2. WOOD FRAMING AND MASONRY OPENING TO BE DESIGNED AND ANCHORED TO PROPERLY TRANSFER ALL LOADS TO STRUCTURE. FRAMING AND MASONRY OPENING IS THE RESPONSIBILITY OF THE ARCHITECT OR ENGINEER OF RECORD.
3. 1X BUCK OVER MASONRY/CONCRETE IS OPTIONAL.
4. WHERE SHIM OR BUCK THICKNESS IS LESS THAN 1-1/2" UNITS MUST BE ANCHORED THROUGH THE FRAME IN ACCORDANCE WITH MANUFACTURER'S PUBLISHED INSTALLATION INSTRUCTIONS. ANCHORS SHALL BE SECURELY FASTENED DIRECTLY INTO MASONRY, CONCRETE OR OTHER STRUCTURAL SUBSTRATE MATERIAL.
5. WHERE WOOD BUCK THICKNESS IS 1-1/2" OR GREATER, BUCK SHALL BE SECURELY FASTENED TO MASONRY, CONCRETE OR OTHER STRUCTURAL SUBSTRATE. UNITS MAY BE ANCHORED THROUGH FRAME TO SECURED WOOD BUCK IN ACCORDANCE WITH MANUFACTURER'S PUBLISHED INSTALLATION INSTRUCTIONS.
6. WHERE 1X BUCK IS NOT USED DISSIMILAR MATERIALS MUST BE SEPARATED WITH APPROVED COATING OR MEMBRANE. SELECTION OF COATING OR MEMBRANE IS THE RESPONSIBILITY OF THE ARCHITECT OR ENGINEER OF RECORD.
7. BUCKS SHALL EXTEND BEYOND UNIT FRAME INTERIOR FACE SO THAT FULL FRAME SUPPORT IS PROVIDED.
8. SHIM AS REQUIRED AT EACH ANCHOR LOCATION WITH LOAD BEARING SHIM. SHIM WHERE SPACE OF 1/16" OR GREATER OCCURS. MAXIMUM ALLOWABLE SHIM STACK TO BE 1/4".
9. SHIMS SHALL BE LOCATED, APPLIED AND MADE FROM MATERIALS AND THICKNESS CAPABLE OF SUSTAINING APPLICABLE LOADS.
10. WIND LOAD DURATION FACTOR Cd=1.6 WAS USED FOR WOOD ANCHOR CALCULATIONS.
11. FRAME MATERIAL: PAINTED WOOD PINE.
12. UNITS MUST BE GLAZED PER ASTM E1300, SEE SHEET 20 FOR GLASS DETAILS.
13. APPROVED IMPACT PROTECTIVE SYSTEM IS NOT REQUIRED FOR THIS PRODUCT IN WIND BORNE DEBRIS REGIONS.
14. FOR ANCHORING THROUGH FRAME INTO WOOD FRAMING OR 2X BUCK USE #8 WOOD SCREWS WITH SUFFICIENT LENGTH TO ACHIEVE A 1 1/4" MINIMUM EMBEDMENT INTO SUBSTRATE. LOCATE ANCHORS AS SHOWN IN ELEVATIONS AND INSTALLATION DETAILS.

15. FOR ANCHORING THROUGH FRAME INTO MASONRY/CONCRETE USE 3/16" TAPCONS WITH SUFFICIENT LENGTH TO ACHIEVE A 1 3/4" MINIMUM EMBEDMENT INTO SUBSTRATE WITH 2" MINIMUM EDGE DISTANCE. LOCATE ANCHORS AS SHOWN IN ELEVATIONS AND INSTALLATION DETAILS.
16. FOR ANCHORING THROUGH FRAME INTO METAL STRUCTURE USE #8 SMS OR SELF DRILLING SCREWS WITH SUFFICIENT LENGTH TO ACHIEVE 3 THREADS MINIMUM BEYOND STRUCTURE INTERIOR WALL. LOCATE ANCHORS AS SHOWN IN ELEVATIONS AND INSTALLATION DETAILS.
17. ALL FASTENERS TO BE CORROSION RESISTANT.
18. INSTALLATION ANCHORS SHALL BE INSTALLED IN ACCORDANCE WITH ANCHOR MANUFACTURER'S INSTALLATION INSTRUCTIONS AND ANCHORS SHALL NOT BE USED IN SUBSTRATES WITH STRENGTHS LESS THAN THE MINIMUM STRENGTH SPECIFIED BELOW:
  - A. WOOD: MINIMUM SPECIFIC GRAVITY OF G=0.42
  - B. CONCRETE: MINIMUM COMPRESSIVE STRENGTH OF 2,000 PSI.
  - C. MASONRY: GROUT/FILLED BLOCK PER ASTM C90 WITH Fm=2,000PSI MINIMUM.
  - D. METAL STRUCTURE: STEEL 18GA (.048") FY=33KSI/FU=52KSI OR ALUMINUM 6063-T5 FU=30KSI .048" THICK MINIMUM

SIGNED: 09/09/2021

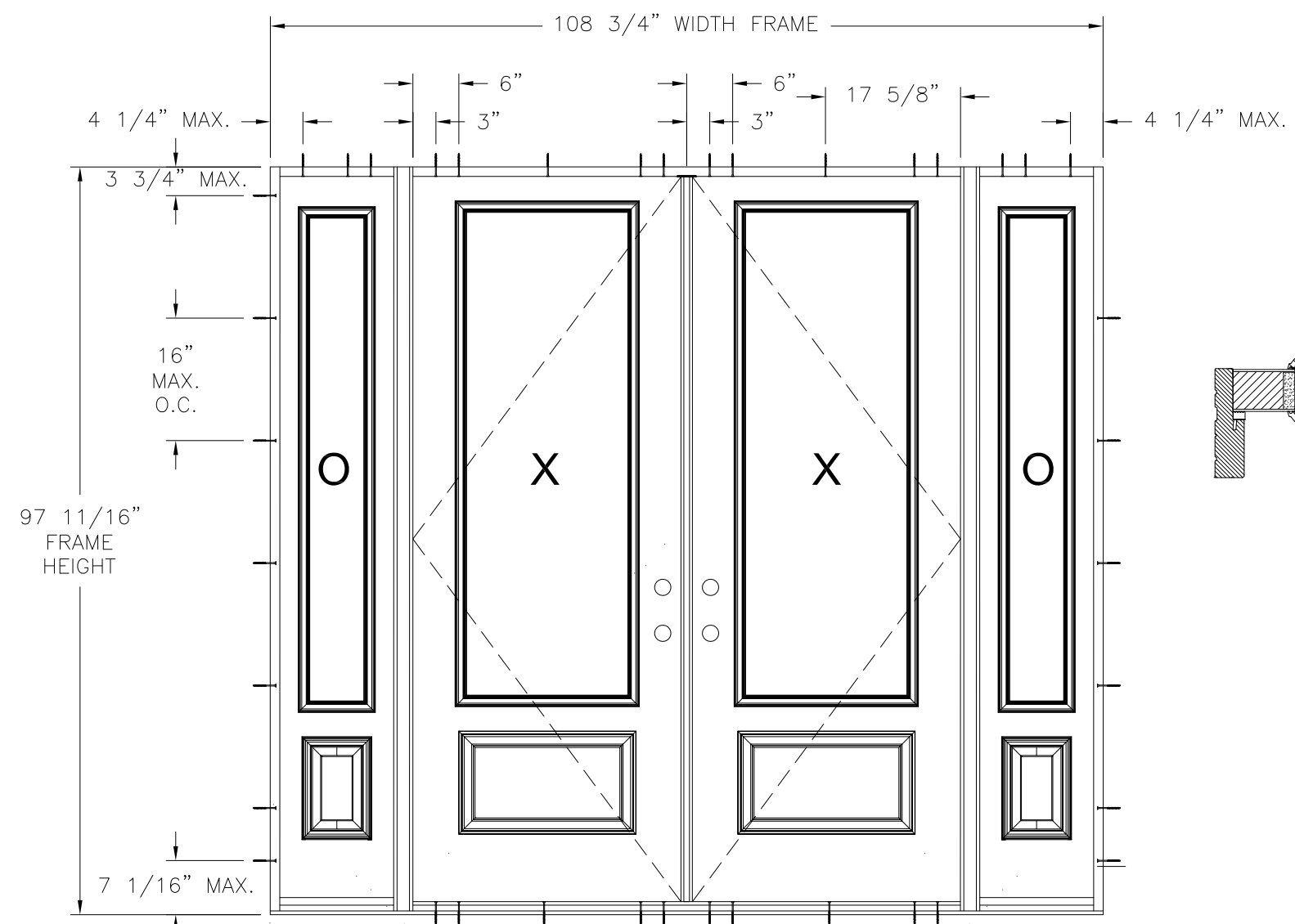
TABLE OF CONTENTS	
SHEET NO.	DESCRIPTION
1	NOTES
2 - 3	ELEVATION
4 - 19	INSTALLATION DETAILS
20	GLAZING DETAILS
21	COMPONENTS

PROVIA, LLC. 2150 STATE ROUTE 39 WEST SUGARCREEK, OH 44681		
SIGNET INSWING ENTRY DOOR SYSTEM 8'0" IMPACT NOTES		
DRAWN: A.R.	DWG NO. 08-03625	REV B
SCALE NTS	DATE 10/14/2020	SHEET 1 OF 21
L. ROBERTO LOMAS P.E. 1432 WOODFORD RD LEWISVILLE, NC 27023 434-688-0609 rllomas@lrlomaspe.com		

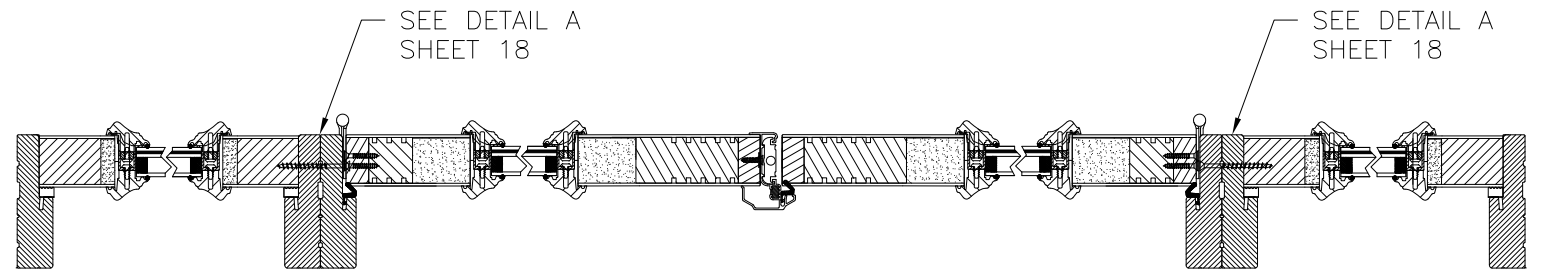


Luis R. Lomas P.E.  
FL No.: 62514

REVISIONS			
REV	DESCRIPTION	DATE	APPROVED
B	ADDED MULTILITE PANELS, TRIMS & FRAME	08/31/2021	R.L.

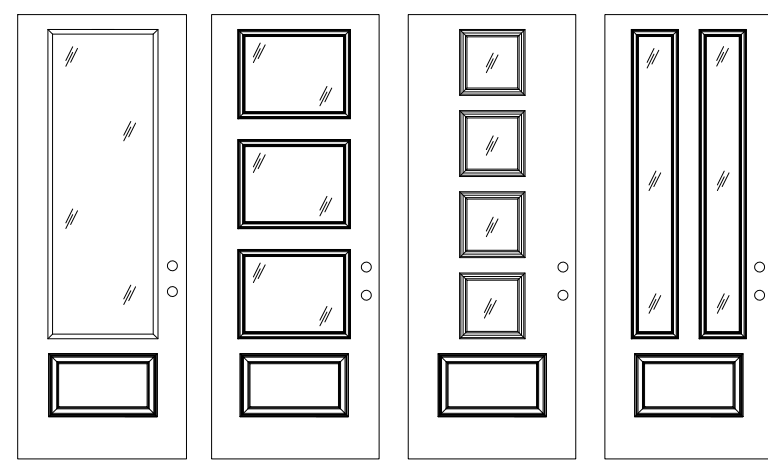


- NOTES:
1. DOOR PANEL SIZE: 35 3/4" X 95"
  2. SIDELITE PANEL SIZE: 15 7/8" X 95"
  3. DOOR PANEL D.L.O.: 21 1/8" X 63 1/16"
  4. SIDELITE PANEL D.L.O.: 7" X 63 1/16"



HORIZONTAL CROSS SECTION

APPROVED LITE CONFIGURATIONS



FULL LITE      3 LITE      4 LITE      2 LITE

LITE CONFIGURATIONS SHOWN ARE FOR REFERENCE ONLY. MULTIPLE LITE CONFIGURATIONS ARE APPROVED AS LONG AS LITE SIZE DOES NOT EXCEED 9.25 FT<sup>2</sup>

SIGNET IS DOOR WITH PLUGLESS TRIM  
EXTERIOR VIEW

DESIGN PRESSURE RATING	IMPACT RATING
±50.0PSF	LARGE AND SMALL MISSILE IMPACT

MISSILE LEVEL D, WIND ZONE 3  
35 3/4" X 95" PANEL SHOWN. OTHER SIZES ARE APPROVED AS LONG AS INDIVIDUAL PANEL AREA DOES NOT EXCEED 23.58 FT<sup>2</sup>

HARDWARE SCHEDULE

A.	(1) KEYED DOORKNOB LOCKING ASSEMBLY AT ACTIVE LEAF, STRIKE RAIL 35" (LEVER) AND 41" (KEYED/THUMB TURN) UP FROM BOTTOM
B.	(1) KEYED DEADBOLT W/THUMB-TURN ASSEMBLY AT ACTIVE LEAF, STRIKE RAIL 39" UP FROM BOTTOM
C.	(8) METAL 4" BUTT HINGE AT LEAF(S), 4 PER LEAF/MULLION EVENLY SPACED WITH ONE 7" IN FROM THE TOP AND ONE 6" IN FROM THE BOTTOM OF LEAF
D.	(1) METAL SECURITY PLATE (12") W/METAL STRIKE PLATE AT HEAD, CENTER SPAN (ASTRAGAL THRU-BOLT LOCATION)
E.	F-SERIES LOCK ASSEMBLY DOOR KNOB BY SCHLAGE
F.	B-SERIES DEADBOLT ASSEMBLY BY SHLAGE
G.	F-SERIES DEADBOLT ASSEMBLY BY SCHLAGE
H.	RESIDENTIAL GRADE DOOR HANDLE ASSEMBLY BY EMTEK (ALTERNATE)
I.	MULTI-POINT LOCK HANDLE ASSEMBLY BY TRILENNIUM (ALTERNATE)

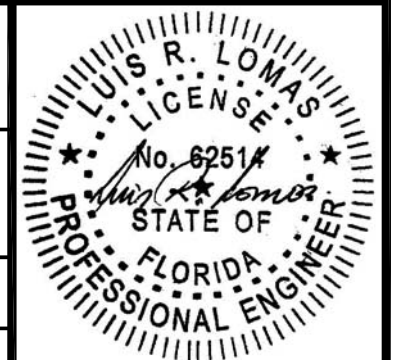
SIGNED: 09/09/2021

PROVIA, LLC.  
2150 STATE ROUTE 39 WEST  
SUGARCREEK, OH 44681

SIGNET INSWING ENTRY DOOR SYSTEM 8'0"  
IMPACT  
ELEVATION

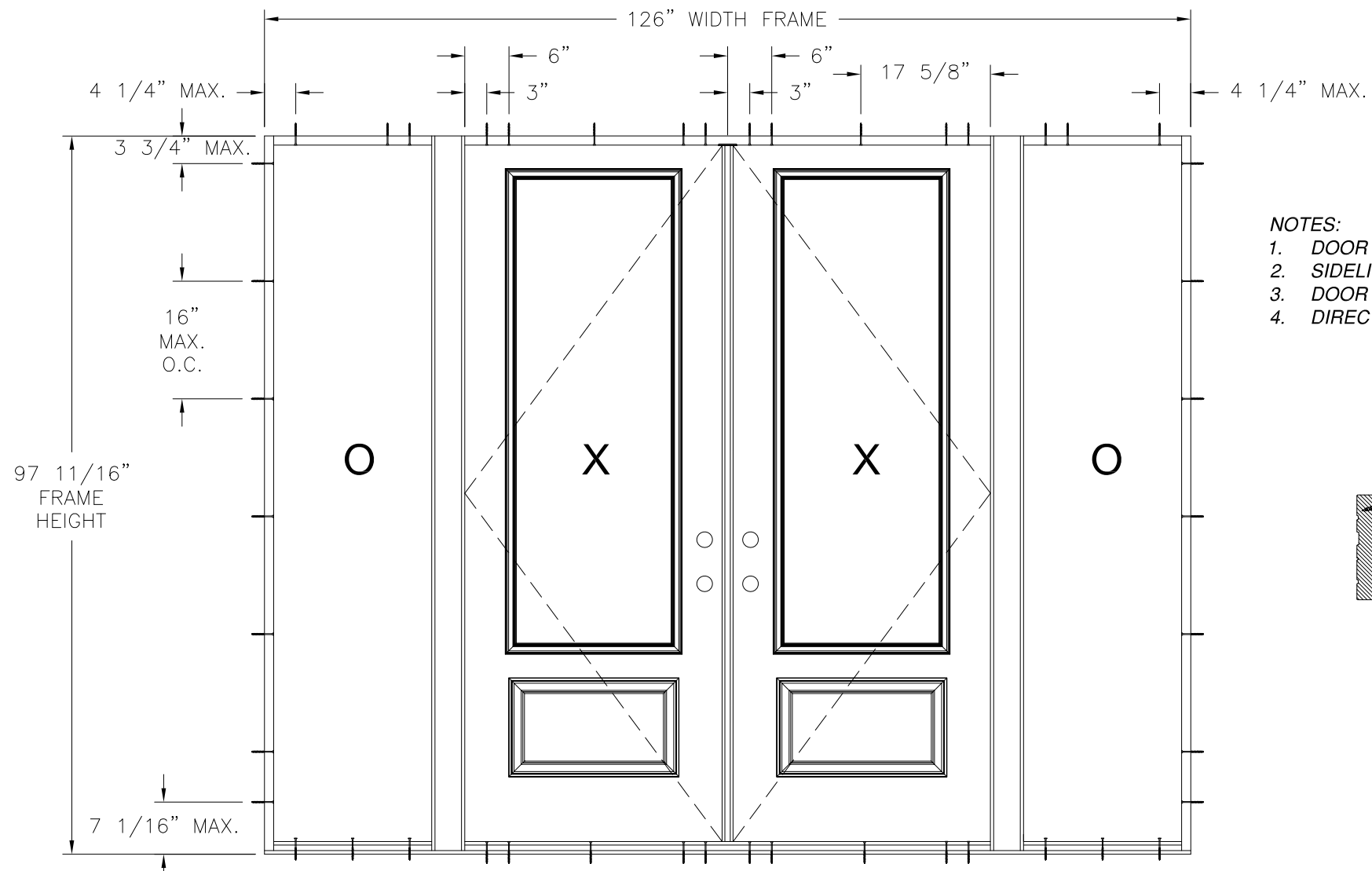
DRAWN: A.R.	DWG NO. 08-03625	REV B
SCALE NTS	DATE 10/14/2020	SHEET 2 OF 21

L. ROBERTO LOMAS P.E.  
1432 WOODFORD RD LEWISVILLE, NC 27023  
434-688-0609 rllomas@rlomaspe.com

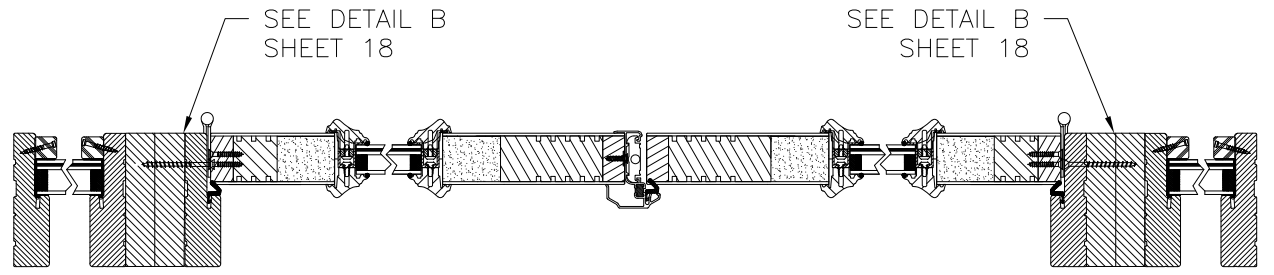


Luis R. Lomas P.E.  
FL No.: 62514

REVISIONS			
REV	DESCRIPTION	DATE	APPROVED
B	ADDED MULTILITE PANELS, TRIMS & FRAME	08/31/2021	R.L.



- NOTES:
1. DOOR PANEL SIZE: 35 3/4" X 95"
  2. SIDELITE PANEL SIZE: 15 7/8" X 95"
  3. DOOR PANEL D.L.O.: 21 1/8" X 63 1/16"
  4. DIRECT SET SIDELITE D.L.O.: 21 1/8" X 93 1/2"



HORIZONTAL CROSS SECTION

SIGNET IS DOOR WITH DIRECT SET SIDELITES  
EXTERIOR VIEW

DESIGN PRESSURE RATING	IMPACT RATING
±50.0PSF	LARGE AND SMALL MISSILE IMPACT

MISSILE LEVEL D, WIND ZONE 3  
35 3/4" X 95" PANEL SHOWN. OTHER SIZES ARE APPROVED AS LONG AS INDIVIDUAL PANEL AREA DOES NOT EXCEED 23.58 FT<sup>2</sup>

HARDWARE SCHEDULE	
A.	(1) KEYED DOORKNOB LOCKING ASSEMBLY AT ACTIVE LEAF, STRIKE RAIL 35" (LEVER) AND 41" (KEYED/THUMB TURN) UP FROM BOTTOM
B.	(1) KEYED DEADBOLT W/THUMB-TURN ASSEMBLY AT ACTIVE LEAF, STRIKE RAIL 39" UP FROM BOTTOM
C.	(8) METAL 4" BUTT HINGE AT LEAF(S), 4 PER LEAF/MULLION EVENLY SPACED WITH ONE 7" IN FROM THE TOP AND ONE 6" IN FROM THE BOTTOM OF LEAF
D.	(1) METAL SECURITY PLATE (12") W/METAL STRIKE PLATE AT HEAD, CENTER SPAN (ASTRAGAL THRU-BOLT LOCATION)
E.	F-SERIES LOCK ASSEMBLY DOOR KNOB BY SCHLAGE
F.	B-SERIES DEADBOLT ASSEMBLY BY SHLAGE
G.	F-SERIES DEADBOLT ASSEMBLY BY SCHLAGE
H.	RESIDENTIAL GRADE DOOR HANDLE ASSEMBLY BY EMTEK (ALTERNATE)
I.	MULTI-POINT LOCK HANDLE ASSEMBLY BY TRILENNIUM (ALTERNATE)

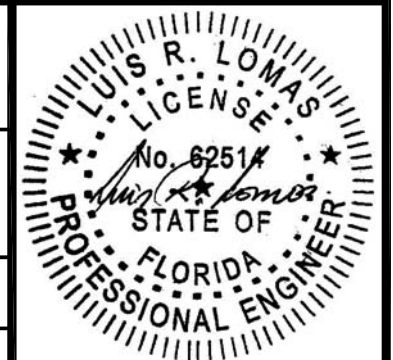
PROVIA, LLC.  
2150 STATE ROUTE 39 WEST  
SUGARCREEK, OH 44681

SIGNET INSWING ENTRY DOOR SYSTEM 8'0"  
IMPACT  
ELEVATION

DRAWN: A.R.	DWG NO. 08-03625	REV B
SCALE NTS	DATE 10/14/2020	SHEET 3 OF 21

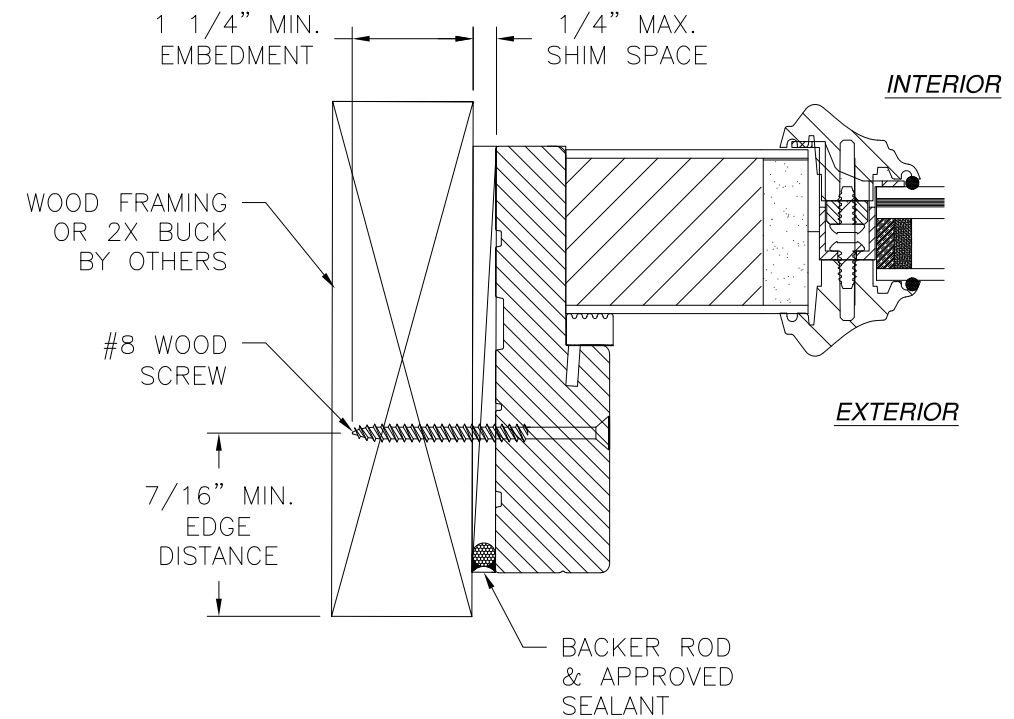
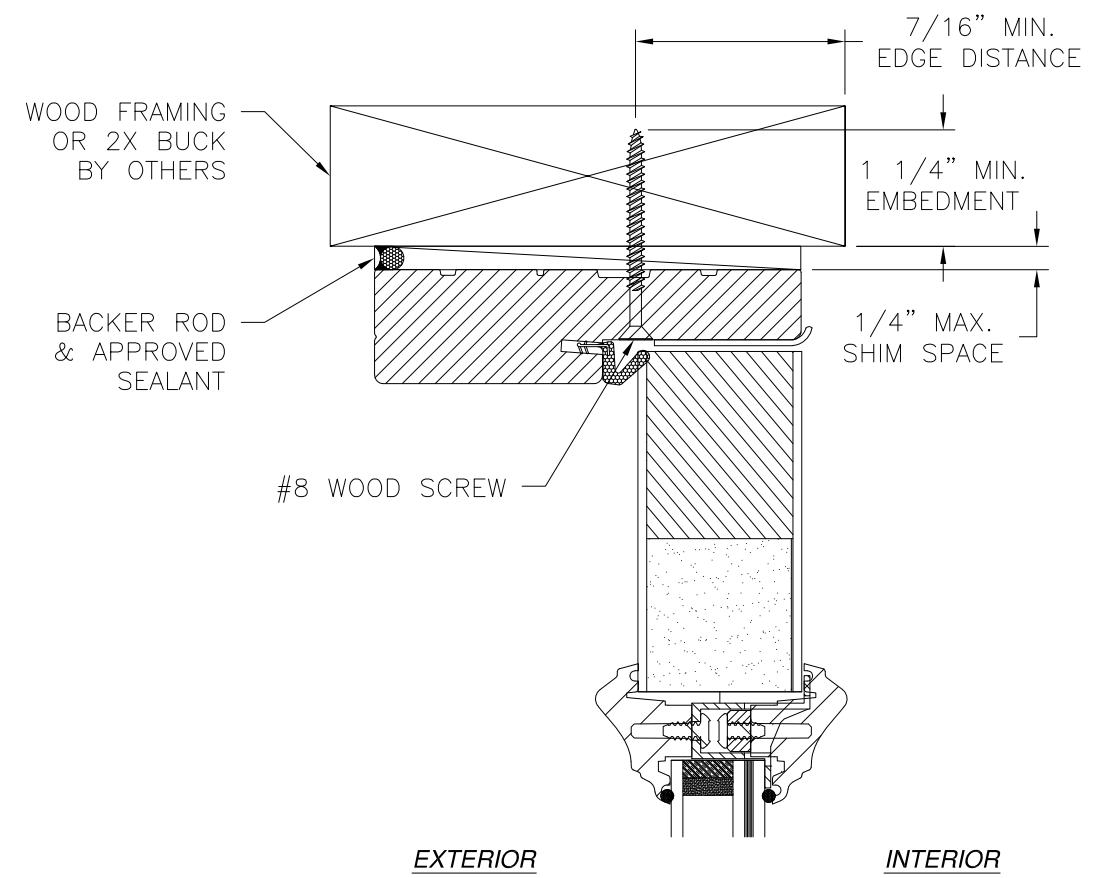
L. ROBERTO LOMAS P.E.  
1432 WOODFORD RD LEWISVILLE, NC 27023  
434-688-0609 rllomas@rlomaspe.com

SIGNED: 09/09/2021



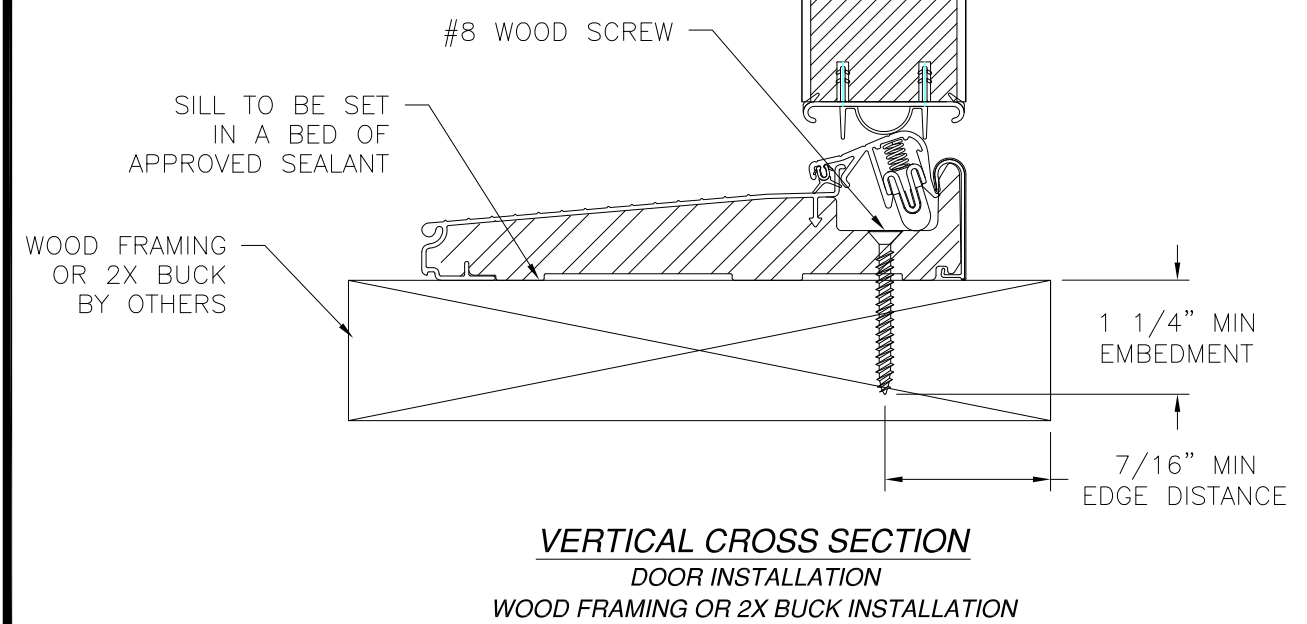
Luis R. Lomas P.E.  
FL No.: 62514

REVISIONS			
REV	DESCRIPTION	DATE	APPROVED
B	ADDED MULTILITE PANELS, TRIMS & FRAME	08/31/2021	R.L.



**JAMB INSTALLATION DETAIL**  
DOOR INSTALLATION  
WOOD FRAMING OR 2X BUCK INSTALLATION

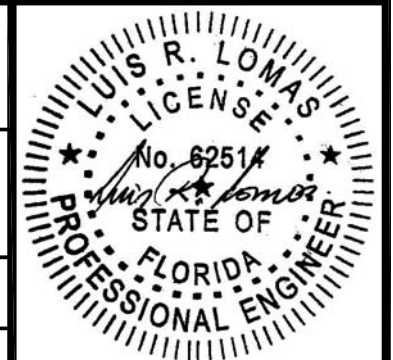
- NOTES:**
1. INTERIOR AND EXTERIOR FINISHES, BY OTHERS, NOT SHOWN FOR CLARITY.
  2. PERIMETER AND JOINT SEALANT BY OTHERS TO BE DESIGNED IN ACCORDANCE WITH ASTM E2112



**VERTICAL CROSS SECTION**  
DOOR INSTALLATION  
WOOD FRAMING OR 2X BUCK INSTALLATION

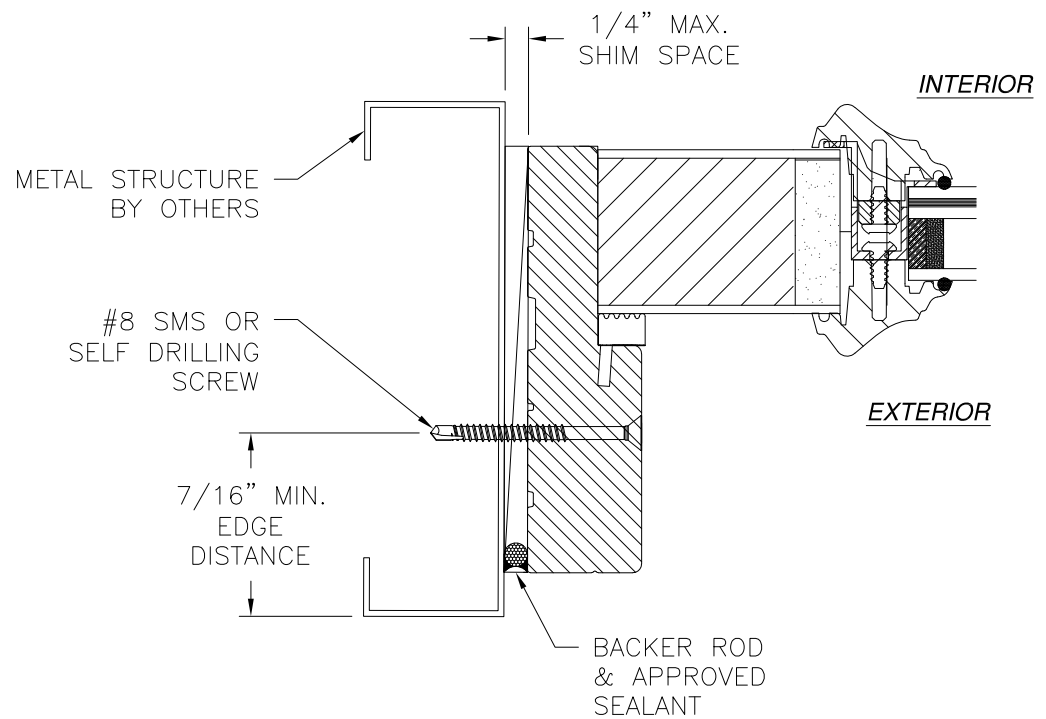
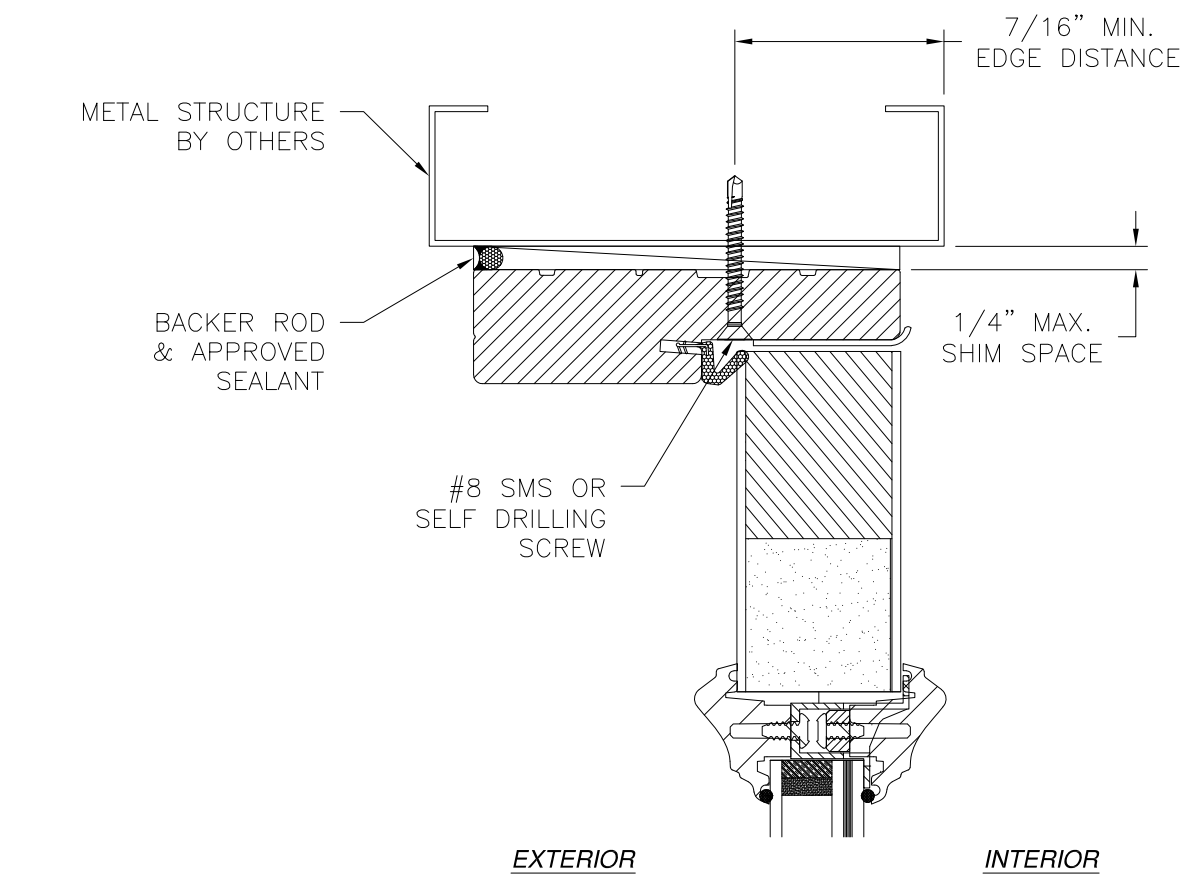
SIGNED: 09/09/2021

PROVIA, LLC. 2150 STATE ROUTE 39 WEST SUGARCREEK, OH 44681		
SIGNET INSWING ENTRY DOOR SYSTEM 8'0" IMPACT INSTALLATION DETAILS		
DRAWN: A.R.	DWG NO. 08-03625	REV B
SCALE NTS	DATE 10/14/2020	SHEET 4 OF 21
L. ROBERTO LOMAS P.E. 1432 WOODFORD RD LEWISVILLE, NC 27023 434-688-0609 rllomas@rlomaspe.com		

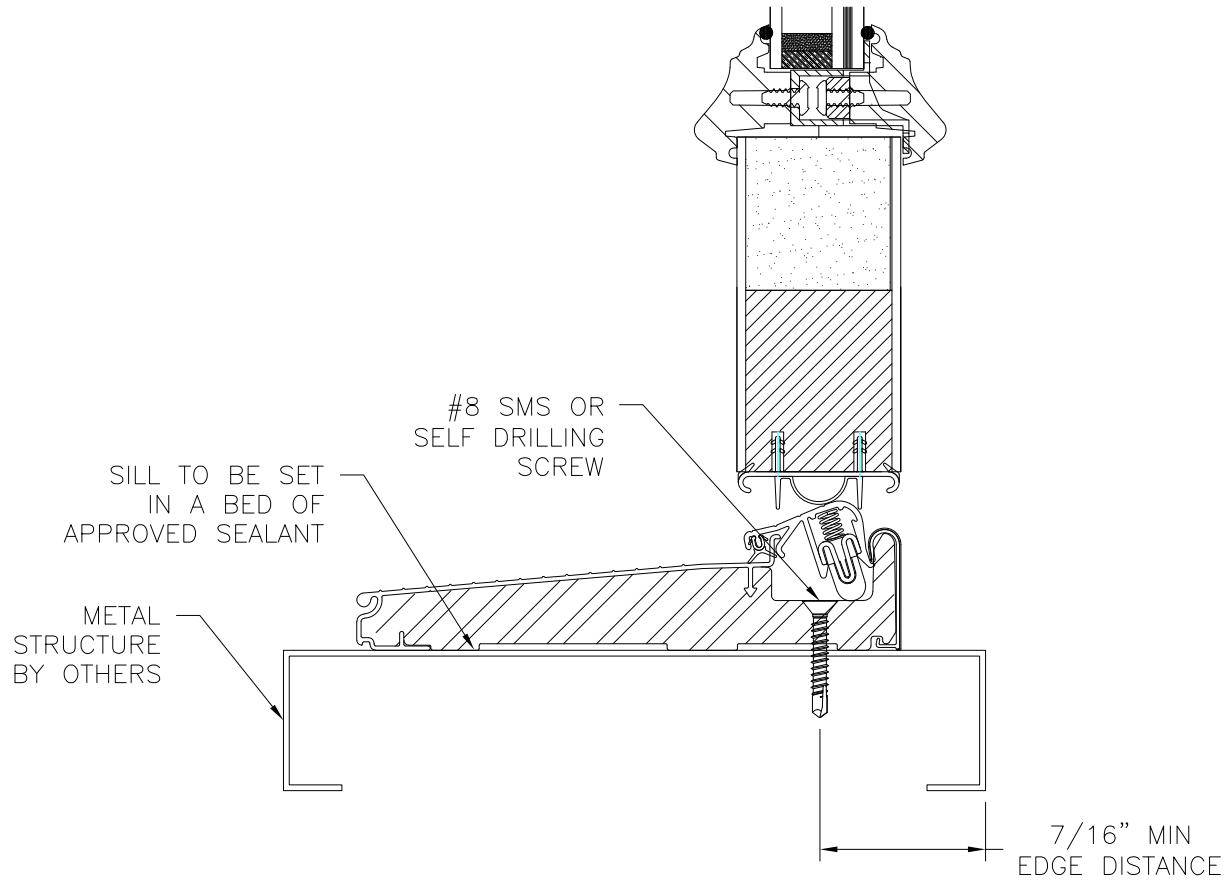


Luis R. Lomas P.E.  
FL No.: 62514

REVISIONS			
REV	DESCRIPTION	DATE	APPROVED
B	ADDED MULTILITE PANELS, TRIMS & FRAME	08/31/2021	R.L.



**JAMB INSTALLATION DETAIL**  
DOOR INSTALLATION  
METAL STRUCTURE INSTALLATION



**VERTICAL CROSS SECTION**  
DOOR INSTALLATION  
METAL STRUCTURE INSTALLATION

- NOTES:**
1. INTERIOR AND EXTERIOR FINISHES, BY OTHERS, NOT SHOWN FOR CLARITY.
  2. PERIMETER AND JOINT SEALANT BY OTHERS TO BE DESIGNED IN ACCORDANCE WITH ASTM E2112

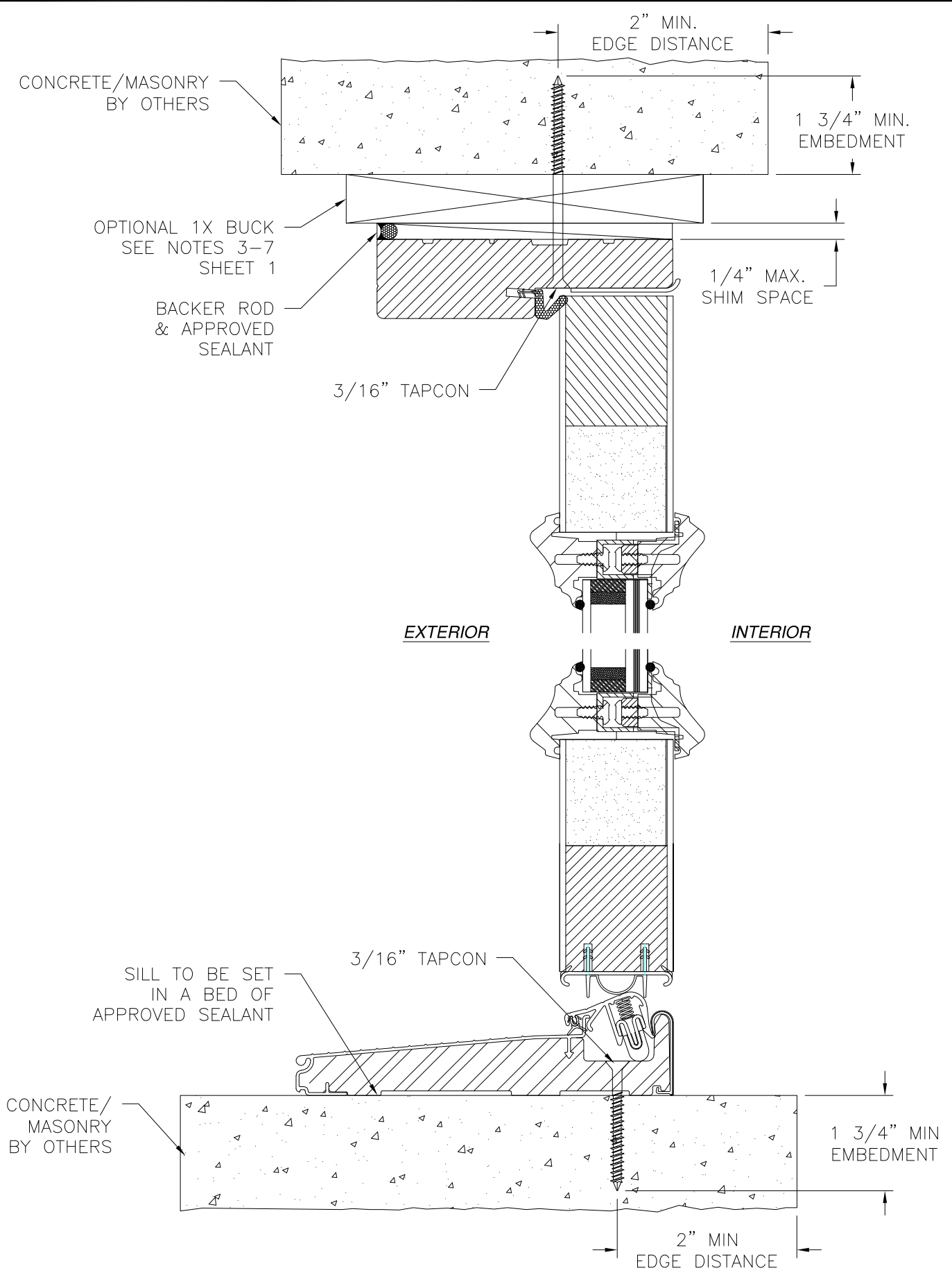
SIGNED: 09/09/2021

PROVIA, LLC. 2150 STATE ROUTE 39 WEST SUGARCREEK, OH 44681		
SIGNET INSWING ENTRY DOOR SYSTEM 8'0" IMPACT INSTALLATION DETAILS		
DRAWN: A.R.	DWG NO. 08-03625	REV B
SCALE NTS	DATE 10/14/2020	SHEET 5 OF 21
L. ROBERTO LOMAS P.E. 1432 WOODFORD RD LEWISVILLE, NC 27023 434-688-0609 rllomas@rlomaspe.com		

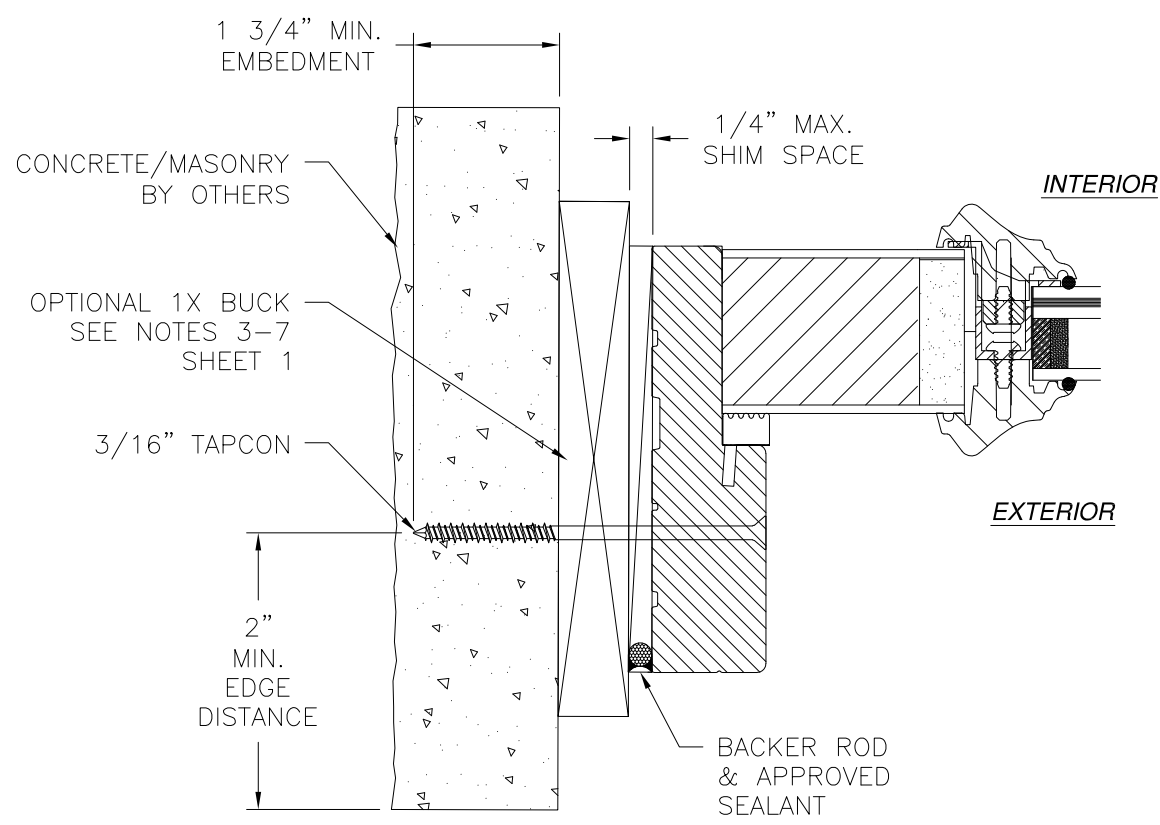


Luis R. Lomas P.E.  
FL No.: 62514

REVISIONS			
REV	DESCRIPTION	DATE	APPROVED
B	ADDED MULTILITE PANELS, TRIMS & FRAME	08/31/2021	R.L.



**VERTICAL CROSS SECTION**  
DOOR INSTALLATION  
CONCRETE/MASONRY INSTALLATION

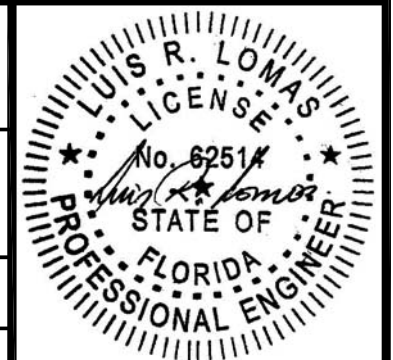


**JAMB INSTALLATION DETAIL**  
DOOR INSTALLATION  
CONCRETE/MASONRY INSTALLATION

- NOTES:**
- INTERIOR AND EXTERIOR FINISHES, BY OTHERS, NOT SHOWN FOR CLARITY.
  - PERIMETER AND JOINT SEALANT BY OTHERS TO BE DESIGNED IN ACCORDANCE WITH ASTM E2112

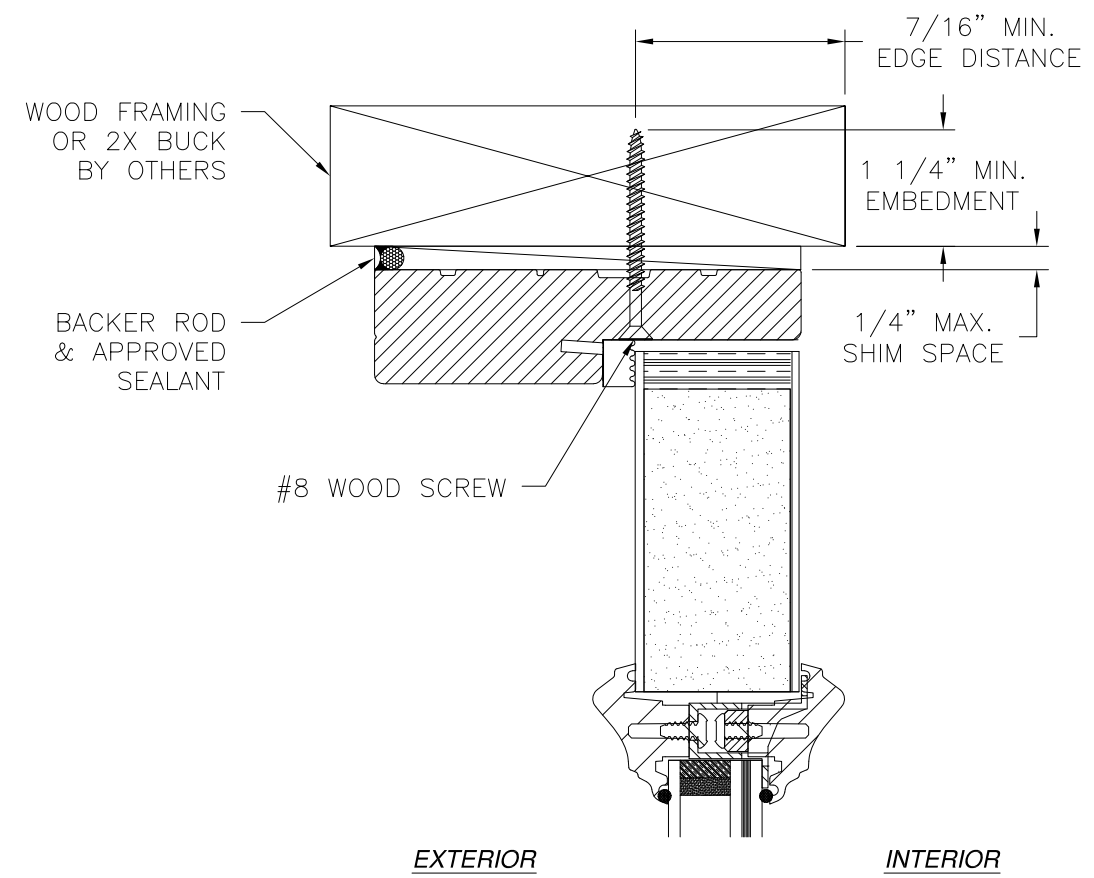
SIGNED: 09/09/2021

PROVIA, LLC. 2150 STATE ROUTE 39 WEST SUGARCREEK, OH 44681		
SIGNET INSWING ENTRY DOOR SYSTEM 8'0" IMPACT INSTALLATION DETAILS		
DRAWN: A.R.	DWG NO. 08-03625	REV B
SCALE NTS	DATE 10/14/2020	SHEET 6 OF 21
L. ROBERTO LOMAS P.E. 1432 WOODFORD RD LEWISVILLE, NC 27023 434-688-0609 rllomas@rlomaspe.com		

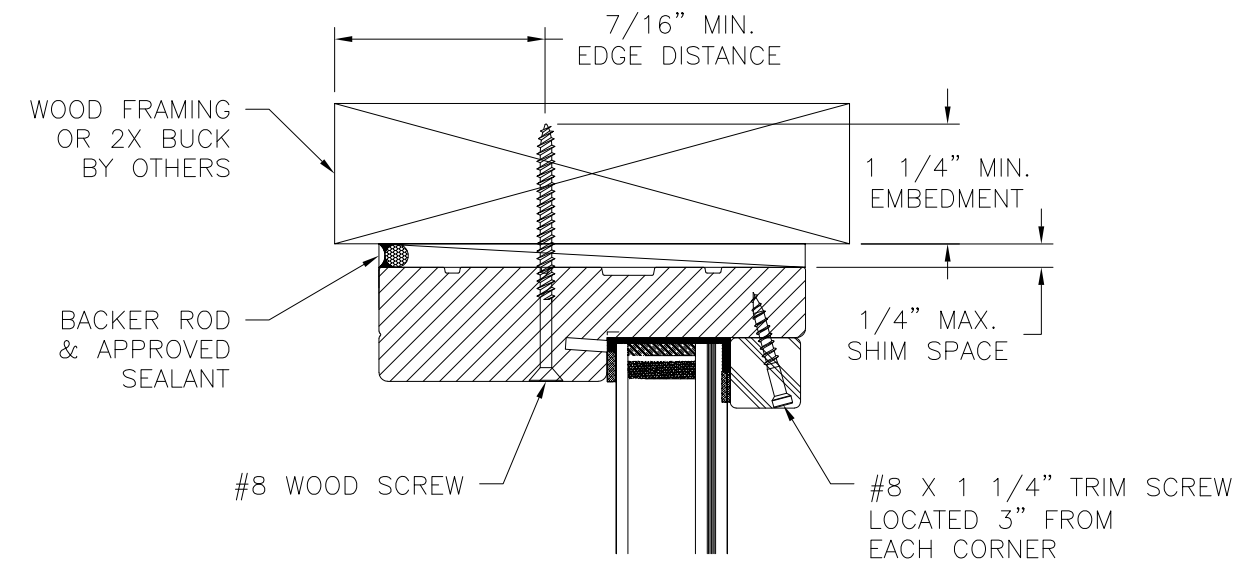


Luis R. Lomas P.E.  
FL No.: 62514

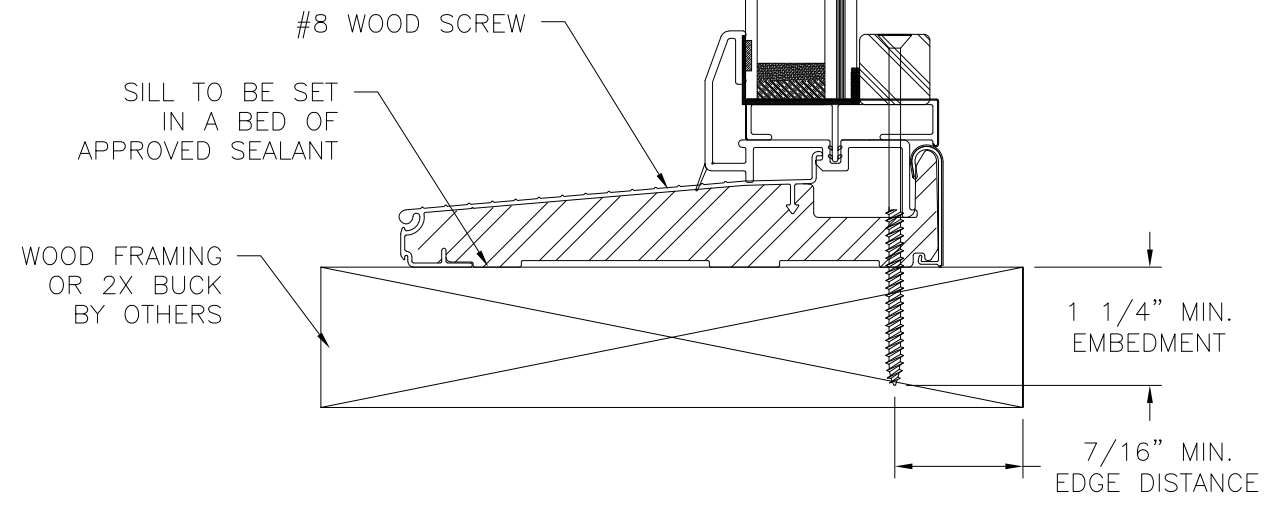
REVISIONS			
REV	DESCRIPTION	DATE	APPROVED
B	ADDED MULTILITE PANELS, TRIMS & FRAME	08/31/2021	R.L.



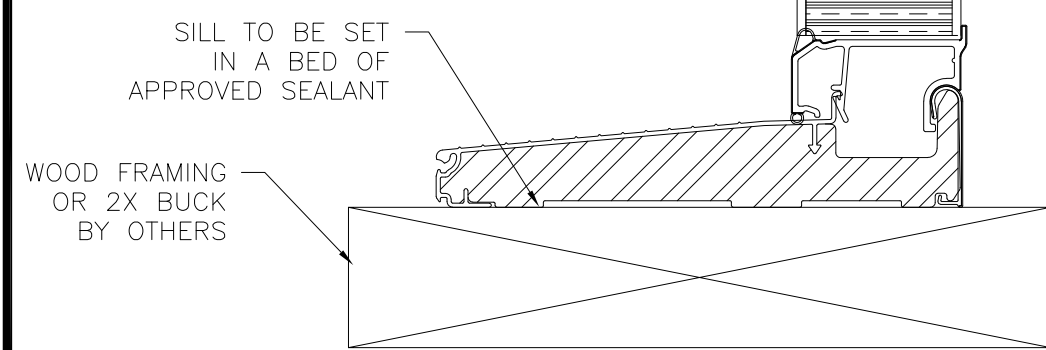
EXTERIOR INTERIOR



EXTERIOR INTERIOR



**VERTICAL CROSS SECTION**  
DIRECT SET SIDELITE INSTALLATION  
WOOD FRAMING OR 2X BUCK INSTALLATION



**VERTICAL CROSS SECTION**  
STANDARD SIDELITE INSTALLATION  
WOOD FRAMING OR 2X BUCK INSTALLATION

- NOTES:
1. INTERIOR AND EXTERIOR FINISHES, BY OTHERS, NOT SHOWN FOR CLARITY.
  2. PERIMETER AND JOINT SEALANT BY OTHERS TO BE DESIGNED IN ACCORDANCE WITH ASTM E2112

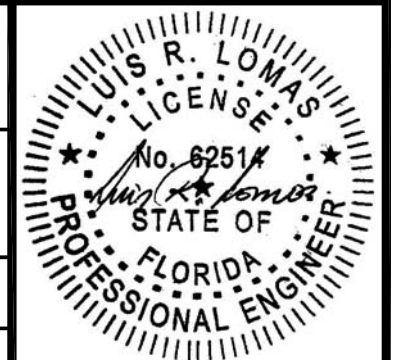
SIGNED: 09/09/2021

PROVIA, LLC.  
2150 STATE ROUTE 39 WEST  
SUGARCREEK, OH 44681

SIGNET INSWING ENTRY DOOR SYSTEM 8'0"  
IMPACT  
INSTALLATION DETAILS

DRAWN: A.R.	DWG NO. 08-03625	REV B
SCALE NTS	DATE 10/14/2020	SHEET 7 OF 21

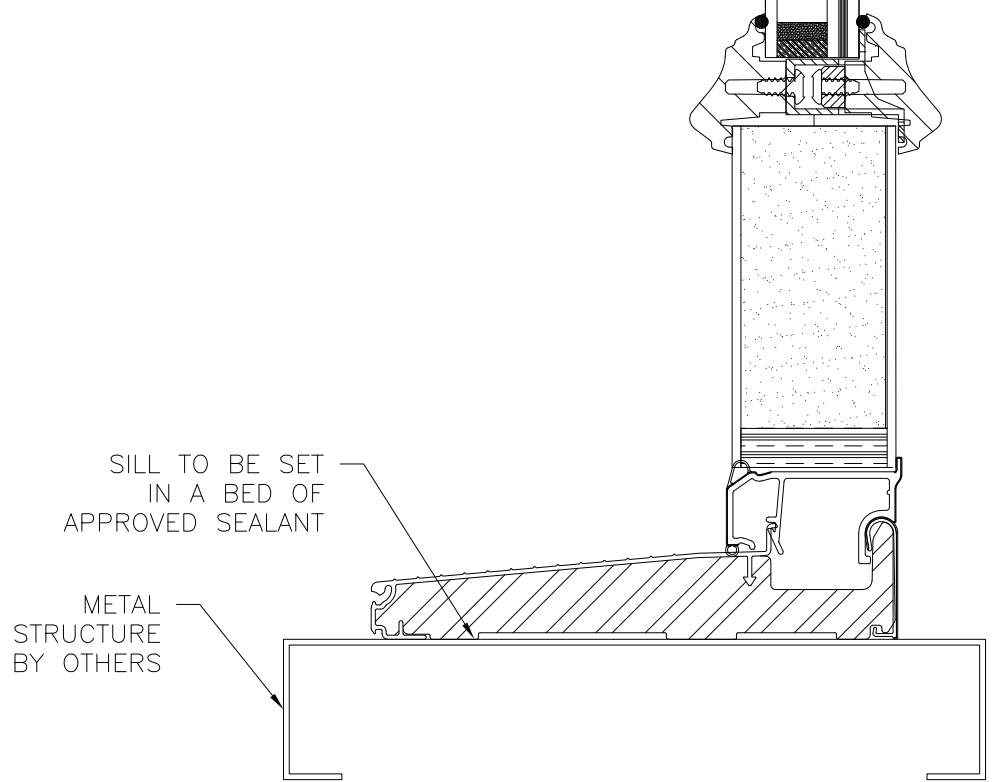
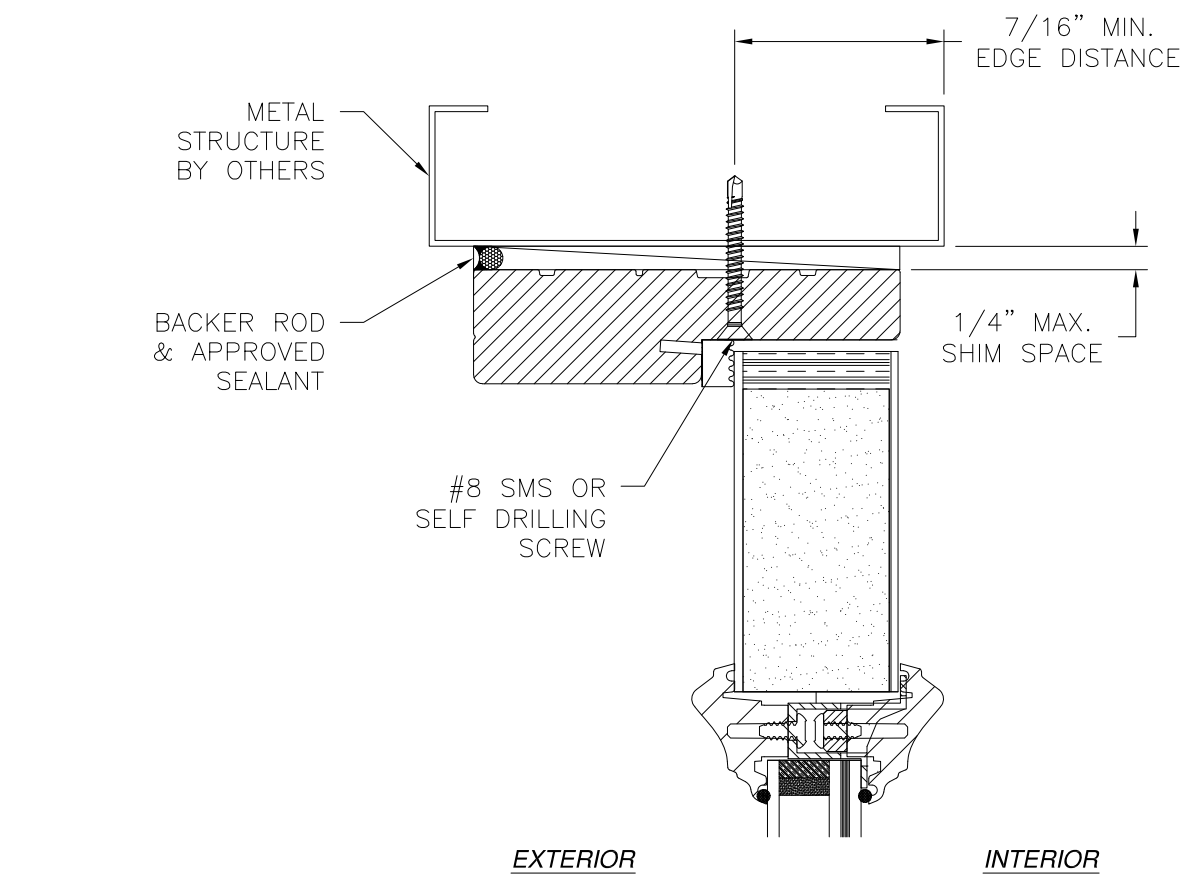
L. ROBERTO LOMAS P.E.  
1432 WOODFORD RD LEWISVILLE, NC 27023  
434-688-0609 rllomas@rlomaspe.com



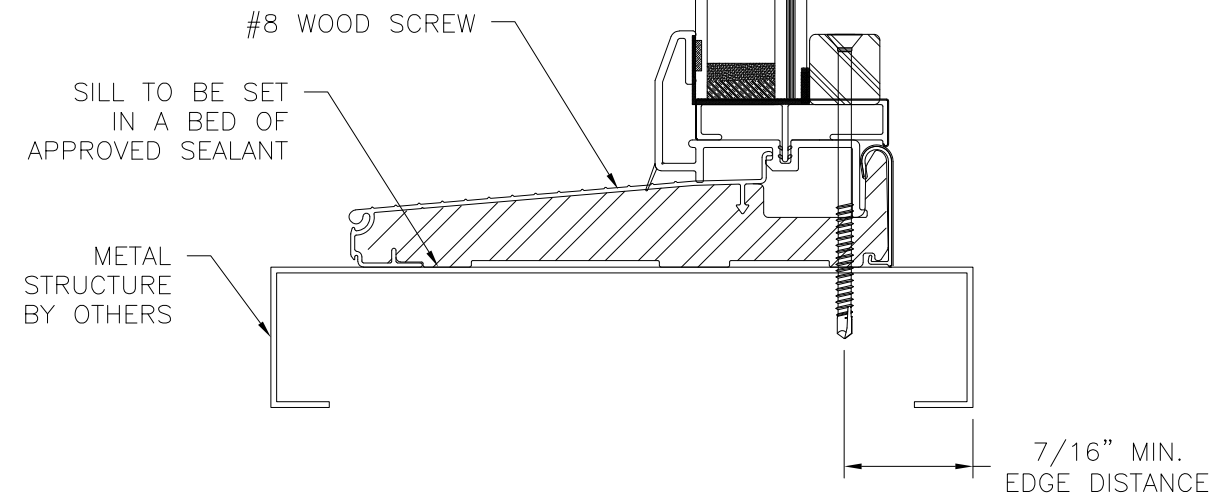
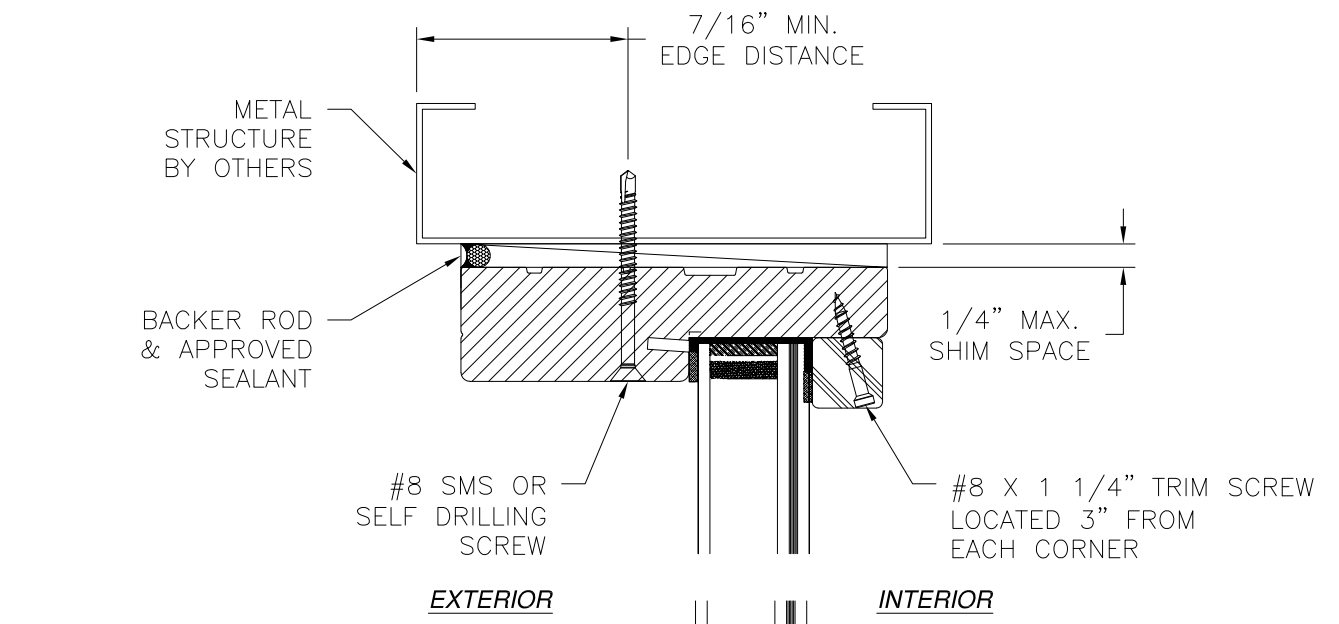
Luis R. Lomas P.E.  
FL No.: 62514



REVISIONS			
REV	DESCRIPTION	DATE	APPROVED
B	ADDED MULTILITE PANELS, TRIMS & FRAME	08/31/2021	R.L.



**VERTICAL CROSS SECTION**  
STANDARD SIDELITE INSTALLATION  
METAL STRUCTURE INSTALLATION



**VERTICAL CROSS SECTION**  
DIRECT SET SIDELITE INSTALLATION  
METAL STRUCTURE INSTALLATION

- NOTES:**
1. INTERIOR AND EXTERIOR FINISHES, BY OTHERS, NOT SHOWN FOR CLARITY.
  2. PERIMETER AND JOINT SEALANT BY OTHERS TO BE DESIGNED IN ACCORDANCE WITH ASTM E2112

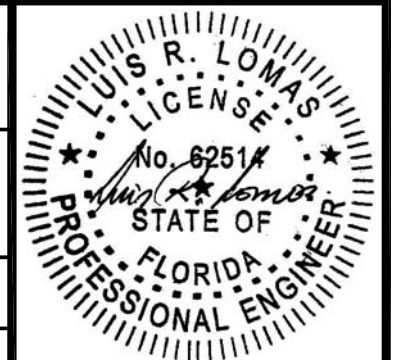
SIGNED: 09/09/2021

PROVIA, LLC.  
2150 STATE ROUTE 39 WEST  
SUGARCREEK, OH 44681

SIGNET INSWING ENTRY DOOR SYSTEM 8'0"  
IMPACT  
INSTALLATION DETAILS

DRAWN: A.R.	DWG NO. 08-03625	REV B
SCALE NTS	DATE 10/14/2020	SHEET 8 OF 21

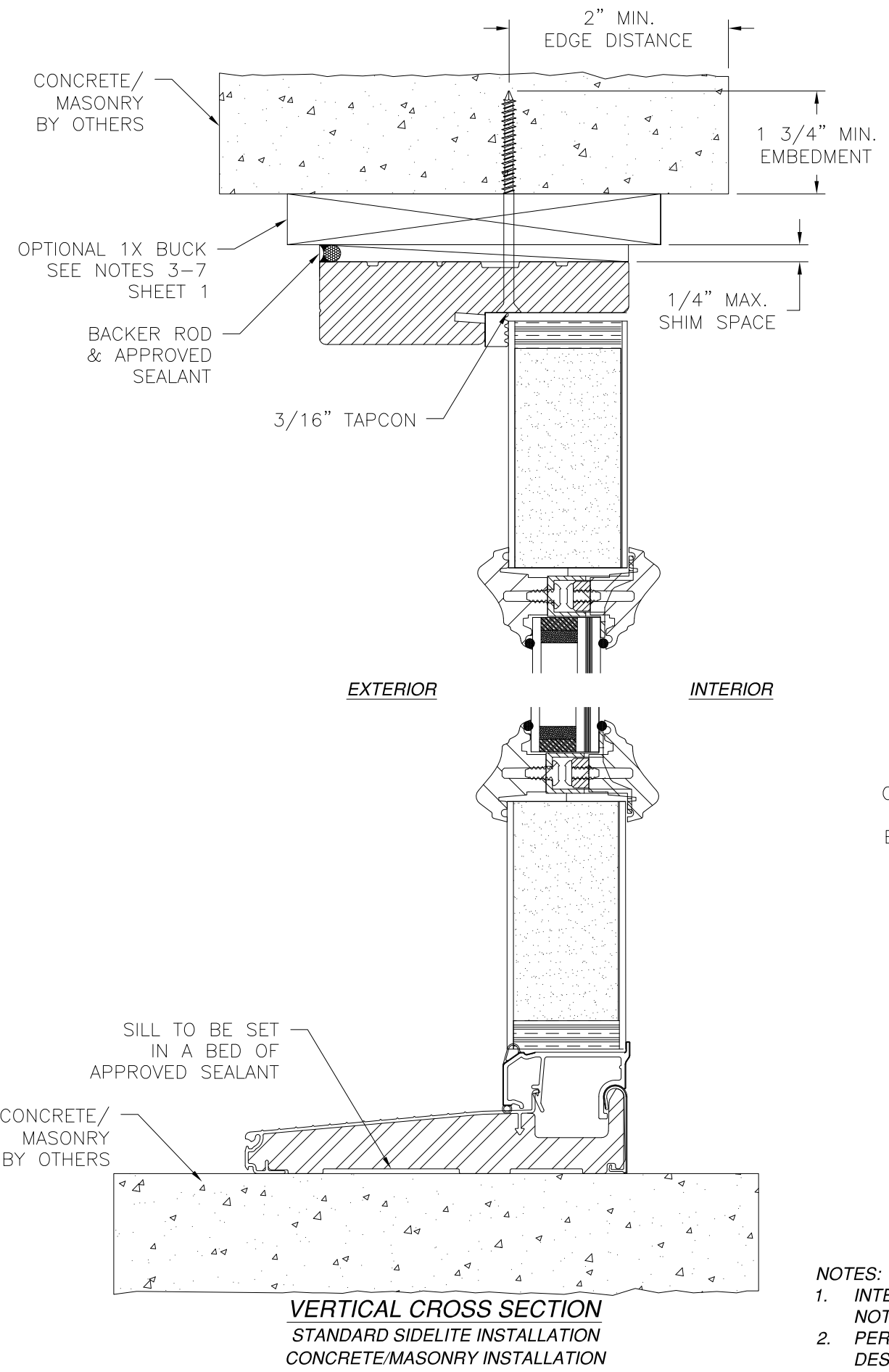
L. ROBERTO LOMAS P.E.  
1432 WOODFORD RD LEWISVILLE, NC 27023  
434-688-0609 rllomas@rlomaspe.com



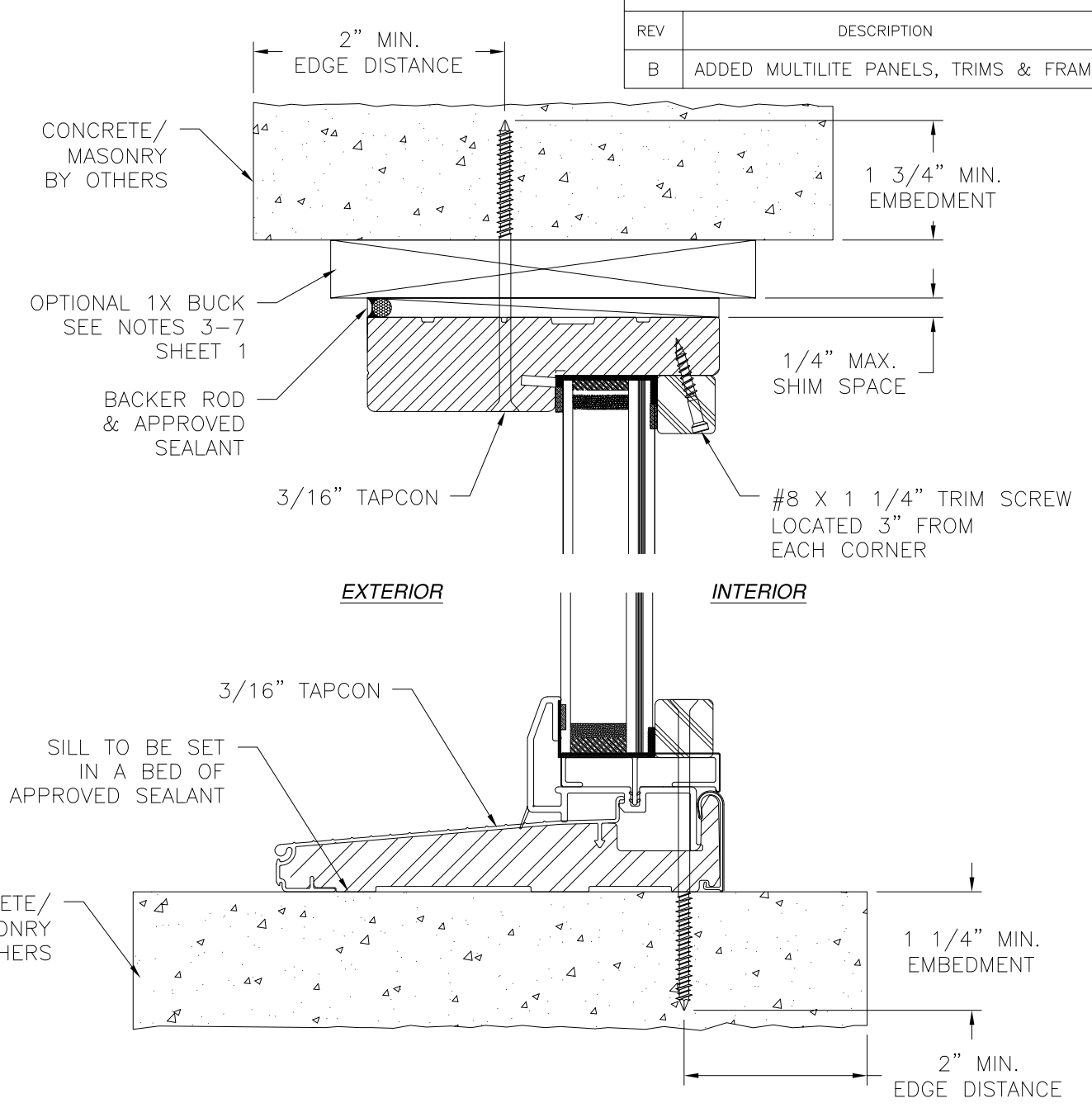
Luis R. Lomas P.E.  
FL No.: 62514



REVISIONS			
REV	DESCRIPTION	DATE	APPROVED
B	ADDED MULTILITE PANELS, TRIMS & FRAME	08/31/2021	R.L.



**VERTICAL CROSS SECTION  
STANDARD SIDELITE INSTALLATION  
CONCRETE/MASONRY INSTALLATION**



**VERTICAL CROSS SECTION  
DIRECT SET SIDELITE INSTALLATION  
CONCRETE/MASONRY INSTALLATION**

- NOTES:**
1. INTERIOR AND EXTERIOR FINISHES, BY OTHERS, NOT SHOWN FOR CLARITY.
  2. PERIMETER AND JOINT SEALANT BY OTHERS TO BE DESIGNED IN ACCORDANCE WITH ASTM E2112

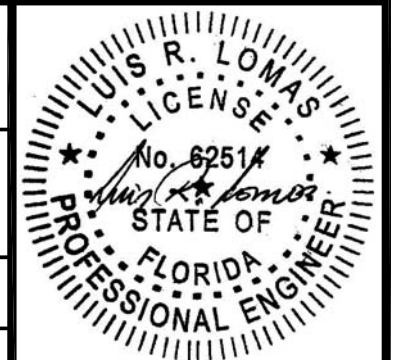
**PROVIA, LLC.**  
2150 STATE ROUTE 39 WEST  
SUGARCREEK, OH 44681

SIGNET INSWING ENTRY DOOR SYSTEM 8'0"  
IMPACT  
INSTALLATION DETAILS

DRAWN: A.R.	DWG NO. 08-03625	REV B
SCALE NTS	DATE 10/14/2020	SHEET 9 OF 21

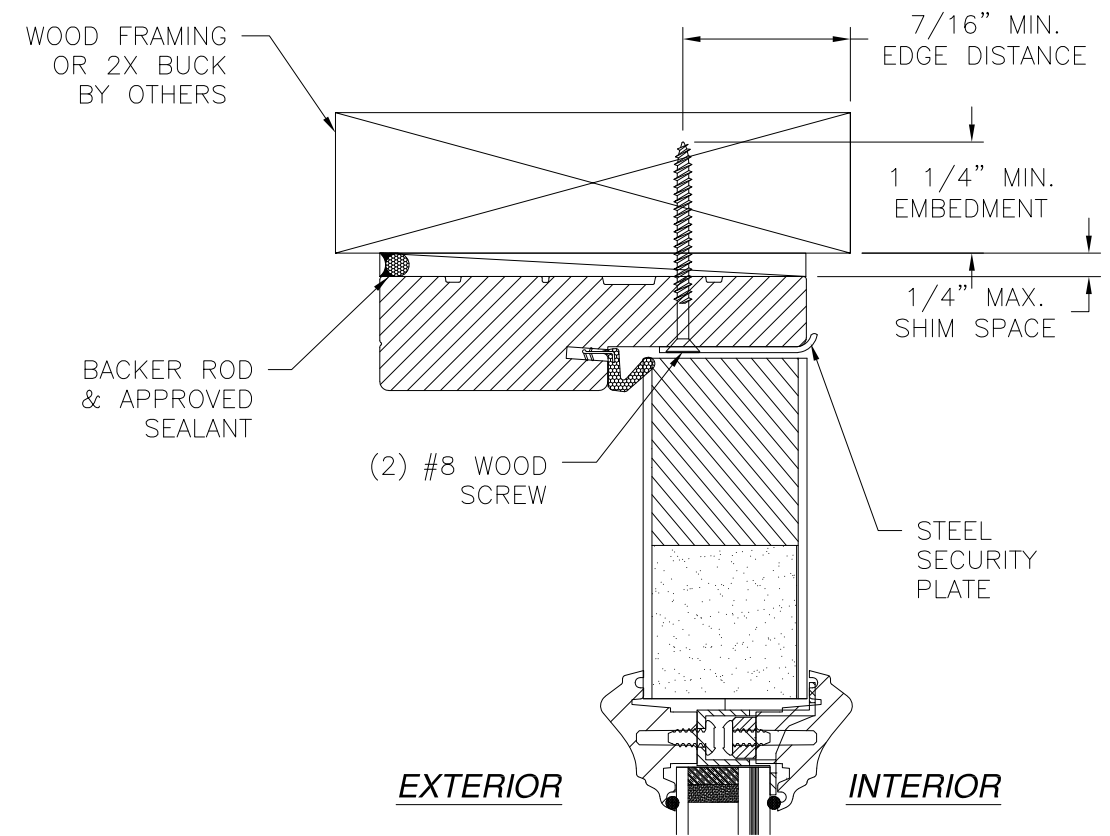
L. ROBERTO LOMAS P.E.  
1432 WOODFORD RD LEWISVILLE, NC 27023  
434-688-0609 rllomas@rlomaspe.com

SIGNED: 09/09/2021

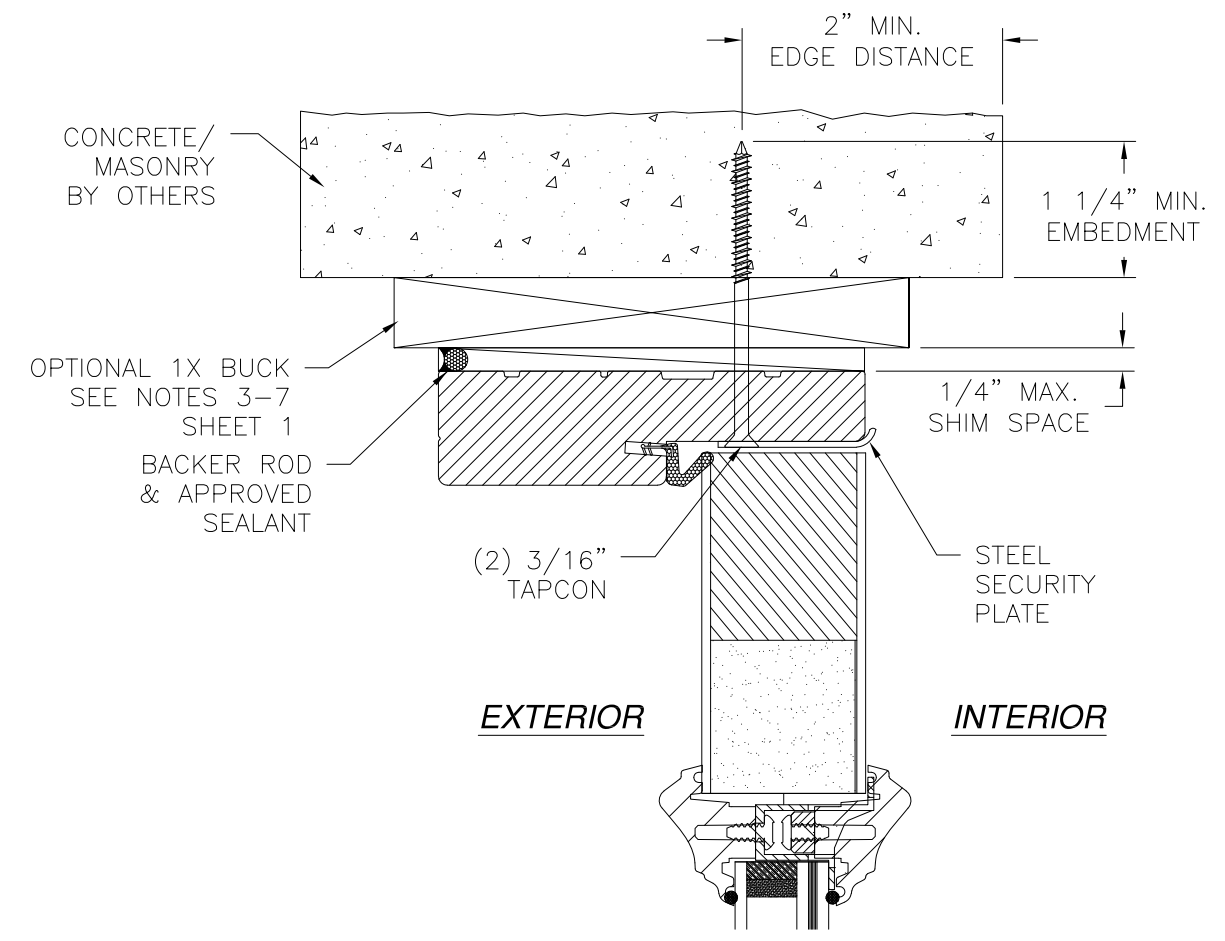


Luis R. Lomas P.E.  
FL No.: 62514

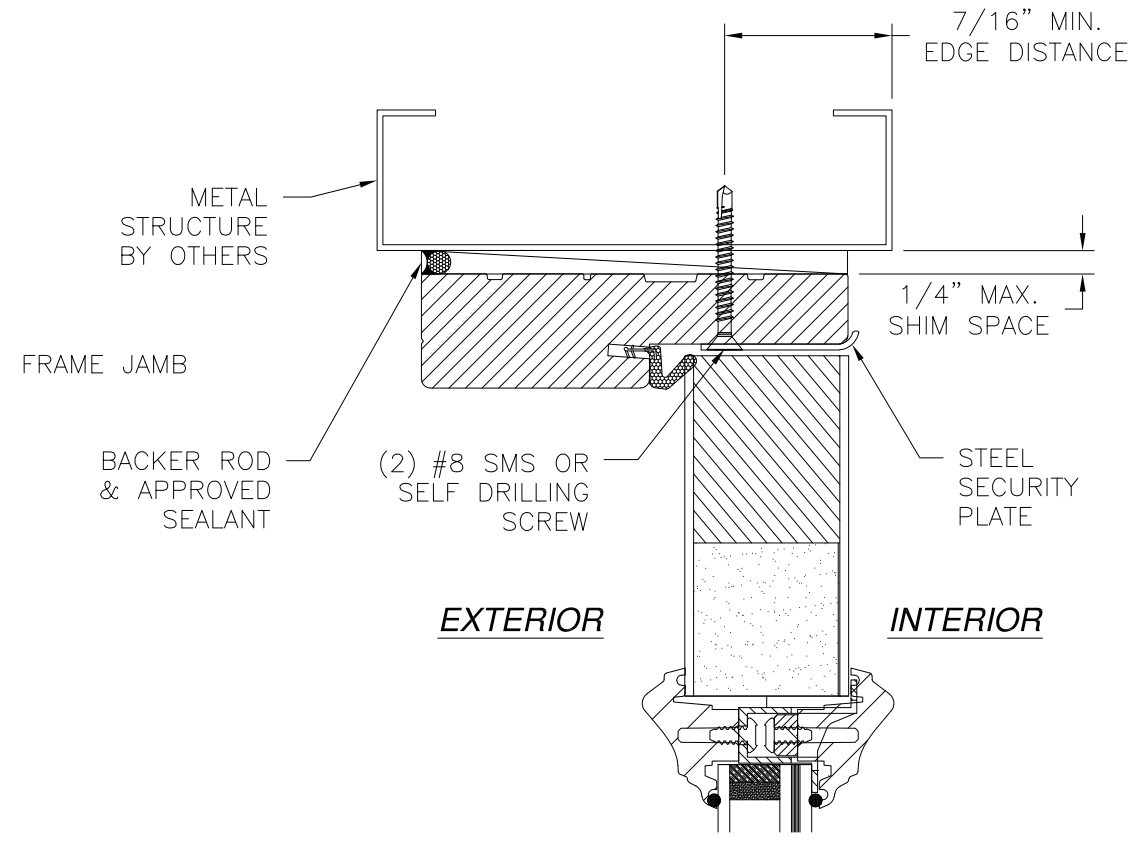
REVISIONS			
REV	DESCRIPTION	DATE	APPROVED
B	ADDED MULTILITE PANELS, TRIMS & FRAME	08/31/2021	R.L.



**KEEPER INSTALLATION DETAIL**  
WOOD FRAMING OR 2X BUCK INSTALLATION



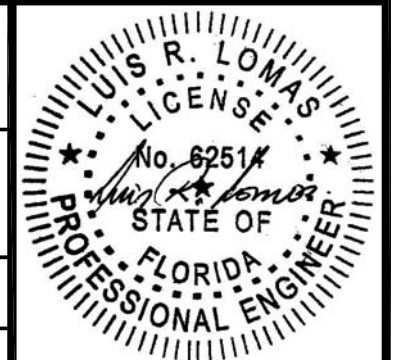
**KEEPER INSTALLATION DETAIL**  
CONCRETE/MASONRY INSTALLATION



**KEEPER INSTALLATION DETAIL**  
METAL STRUCTURE INSTALLATION

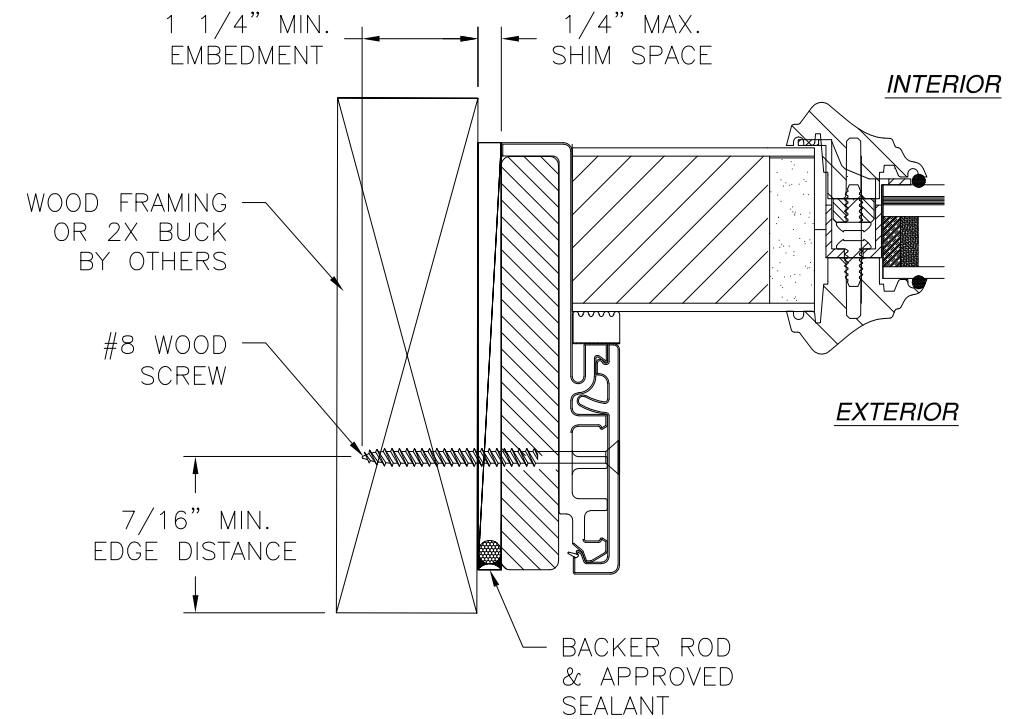
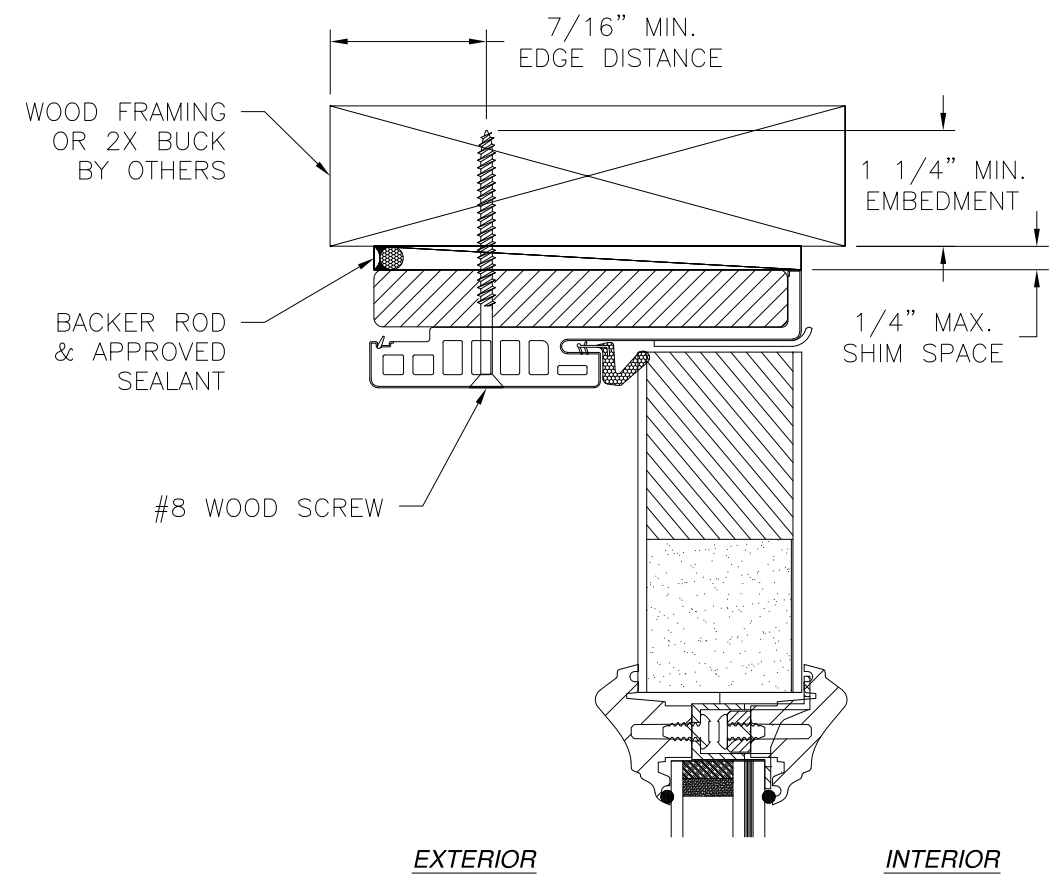
SIGNED: 09/09/2021

PROVIA, LLC. 2150 STATE ROUTE 39 WEST SUGARCREEK, OH 44681		
SIGNET INSWING ENTRY DOOR SYSTEM 8'0" IMPACT INSTALLATION DETAILS		
DRAWN: A.R.	DWG NO. 08-03625	REV B
SCALE NTS	DATE 10/14/2020	SHEET 10 OF 21
L. ROBERTO LOMAS P.E. 1432 WOODFORD RD LEWISVILLE, NC 27023 434-688-0609 rllomas@rlomaspe.com		



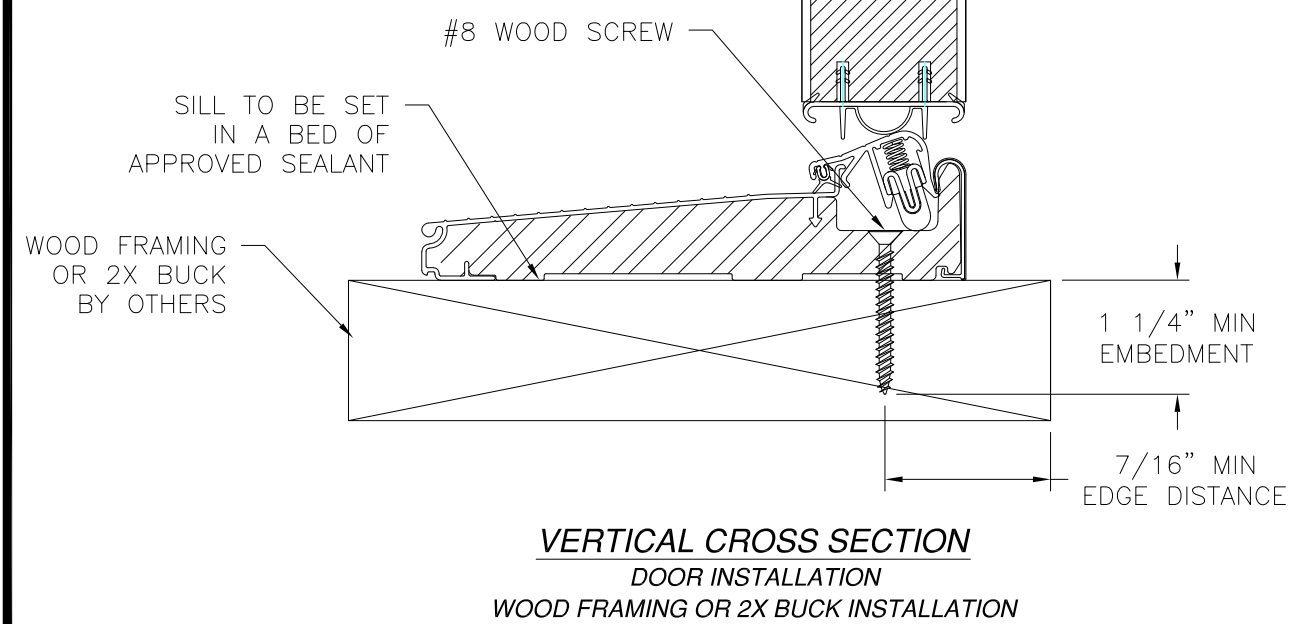
Luis R. Lomas P.E.  
FL No.: 62514

REVISIONS			
REV	DESCRIPTION	DATE	APPROVED
B	ADDED MULTILITE PANELS, TRIMS & FRAME	08/31/2021	R.L.



**JAMB INSTALLATION DETAIL**  
 DOOR INSTALLATION  
 WOOD FRAMING OR 2X BUCK INSTALLATION

- NOTES:**
1. INTERIOR AND EXTERIOR FINISHES, BY OTHERS, NOT SHOWN FOR CLARITY.
  2. PERIMETER AND JOINT SEALANT BY OTHERS TO BE DESIGNED IN ACCORDANCE WITH ASTM E2112



**VERTICAL CROSS SECTION**  
 DOOR INSTALLATION  
 WOOD FRAMING OR 2X BUCK INSTALLATION

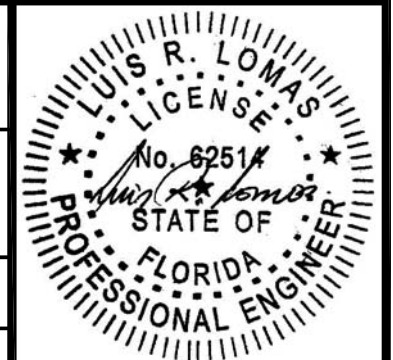
SIGNED: 09/09/2021

PROVIA, LLC.  
 2150 STATE ROUTE 39 WEST  
 SUGARCREEK, OH 44681

SIGNET INSWING ENTRY DOOR SYSTEM 8'0"  
 IMPACT  
 INSTALLATION DETAILS W/FUSION FRAME

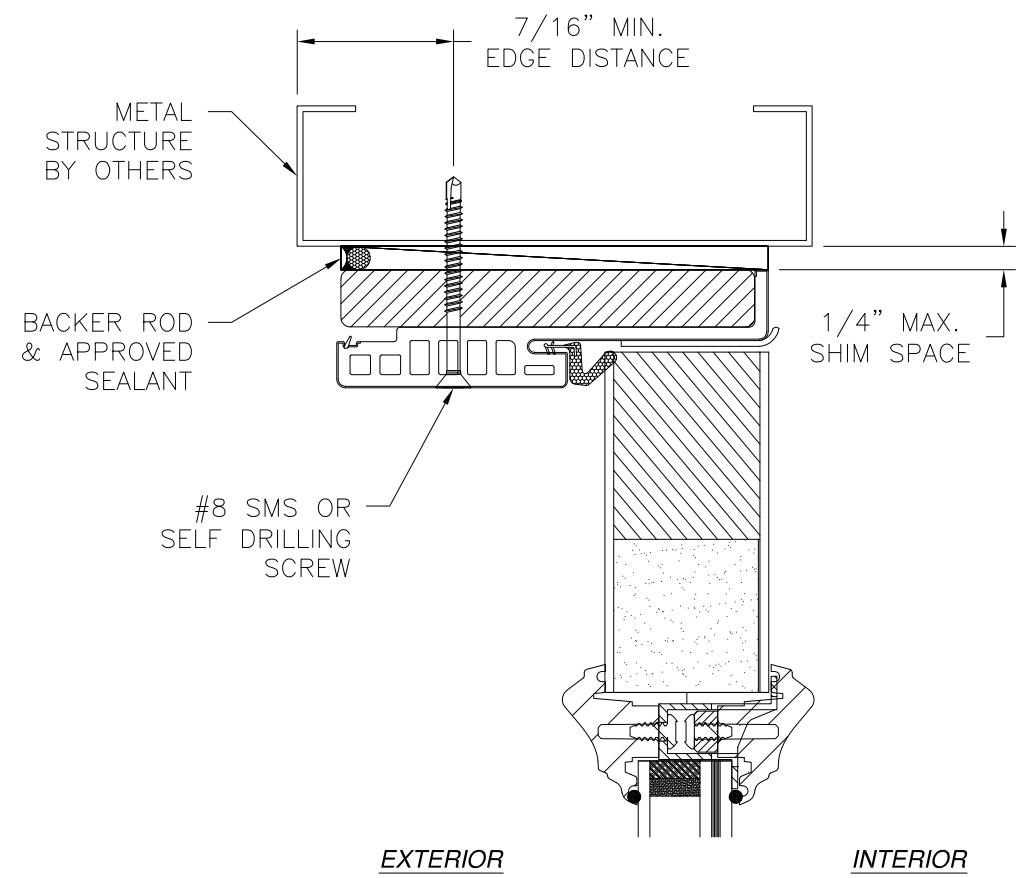
DRAWN: A.R.	DWG NO. 08-03625	REV B
SCALE NTS	DATE 10/14/2020	SHEET 11 OF 21

L. ROBERTO LOMAS P.E.  
 1432 WOODFORD RD LEWISVILLE, NC 27023  
 434-688-0609 rllomas@rlomaspe.com

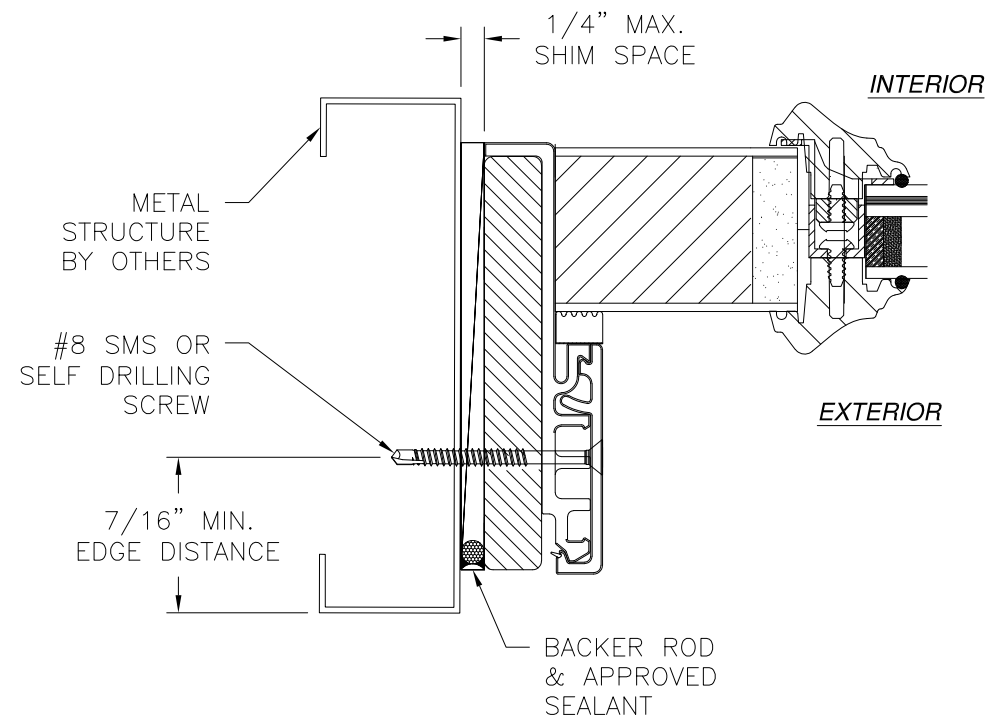


Luis R. Lomas P.E.  
 FL No.: 62514

REVISIONS			
REV	DESCRIPTION	DATE	APPROVED
B	ADDED MULTILITE PANELS, TRIMS & FRAME	08/31/2021	R.L.

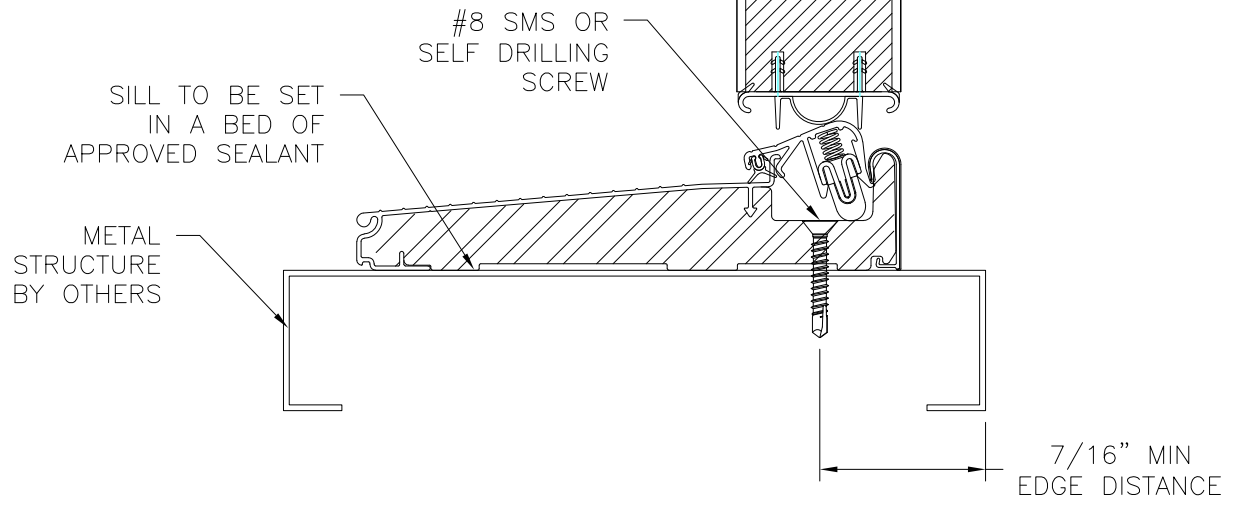


EXTERIOR INTERIOR



**JAMB INSTALLATION DETAIL**  
DOOR INSTALLATION  
METAL STRUCTURE INSTALLATION

- NOTES:**
1. INTERIOR AND EXTERIOR FINISHES, BY OTHERS, NOT SHOWN FOR CLARITY.
  2. PERIMETER AND JOINT SEALANT BY OTHERS TO BE DESIGNED IN ACCORDANCE WITH ASTM E2112



**VERTICAL CROSS SECTION**  
DOOR INSTALLATION  
METAL STRUCTURE INSTALLATION

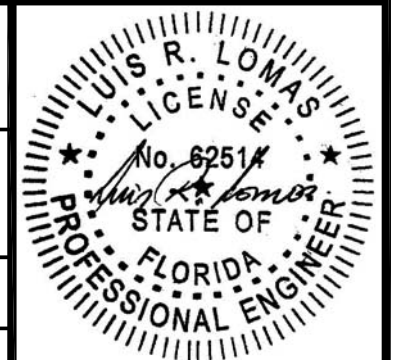
SIGNED: 09/09/2021

**PROVIA, LLC.**  
2150 STATE ROUTE 39 WEST  
SUGARCREEK, OH 44681

SIGNET INSWING ENTRY DOOR SYSTEM 8'0"  
IMPACT  
INSTALLATION DETAILS W/FUSION FRAME

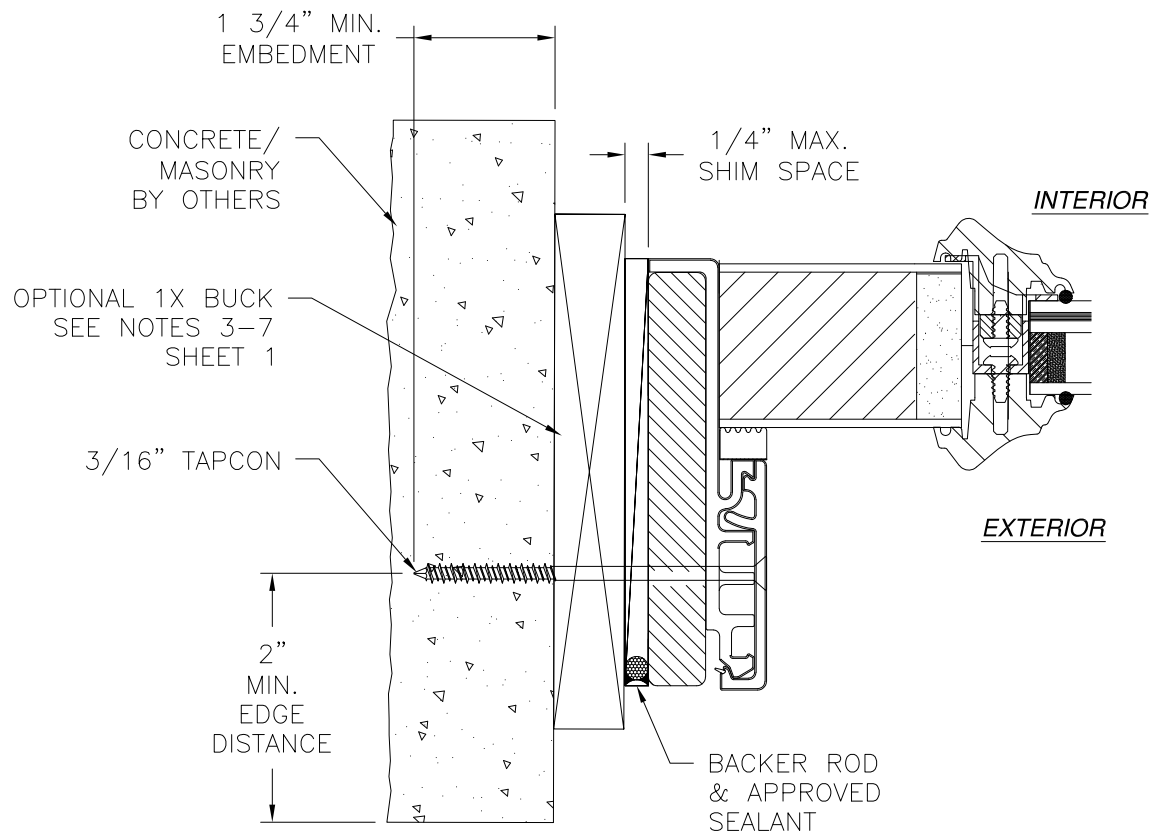
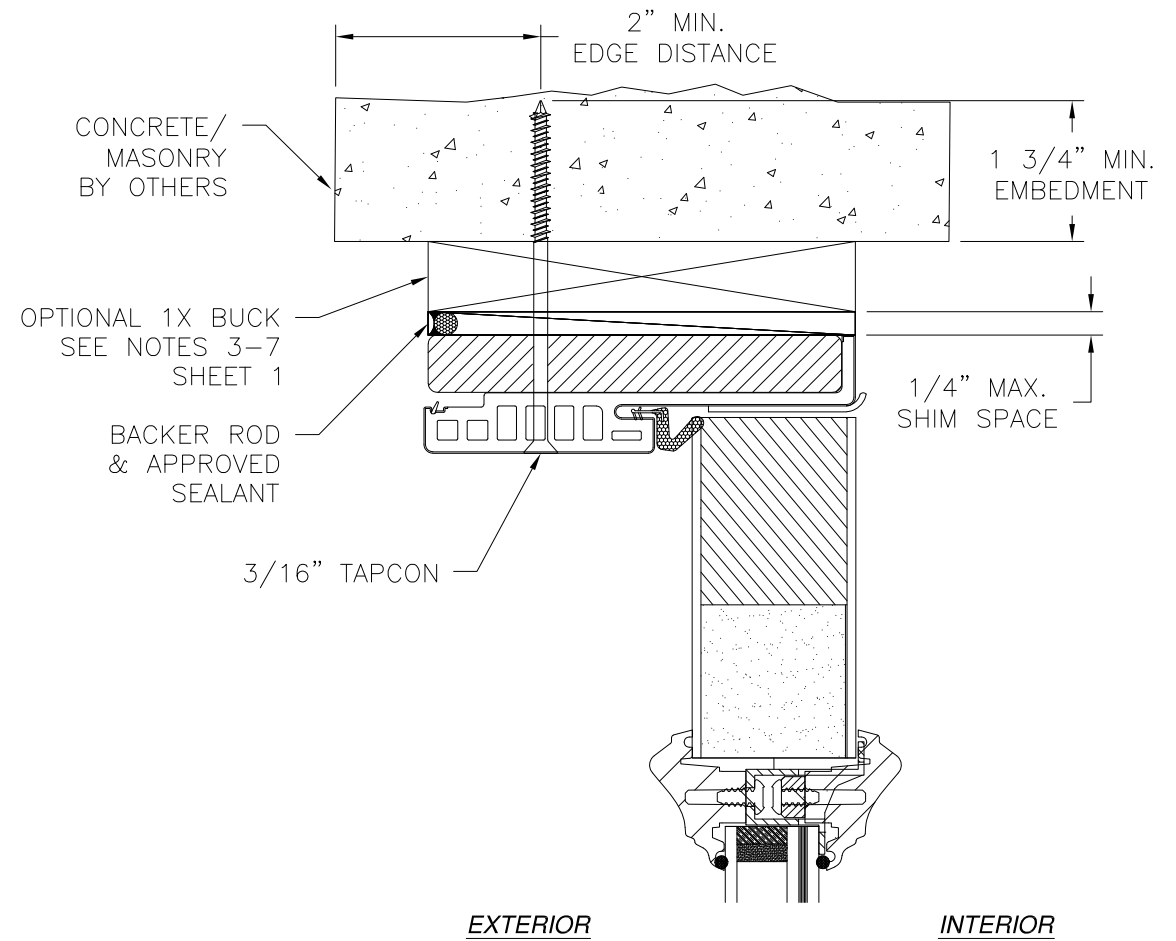
DRAWN: A.R.	DWG NO. 08-03625	REV B
SCALE NTS	DATE 10/14/2020	SHEET 12 OF 21

L. ROBERTO LOMAS P.E.  
1432 WOODFORD RD LEWISVILLE, NC 27023  
434-688-0609 rllomas@rlomaspe.com

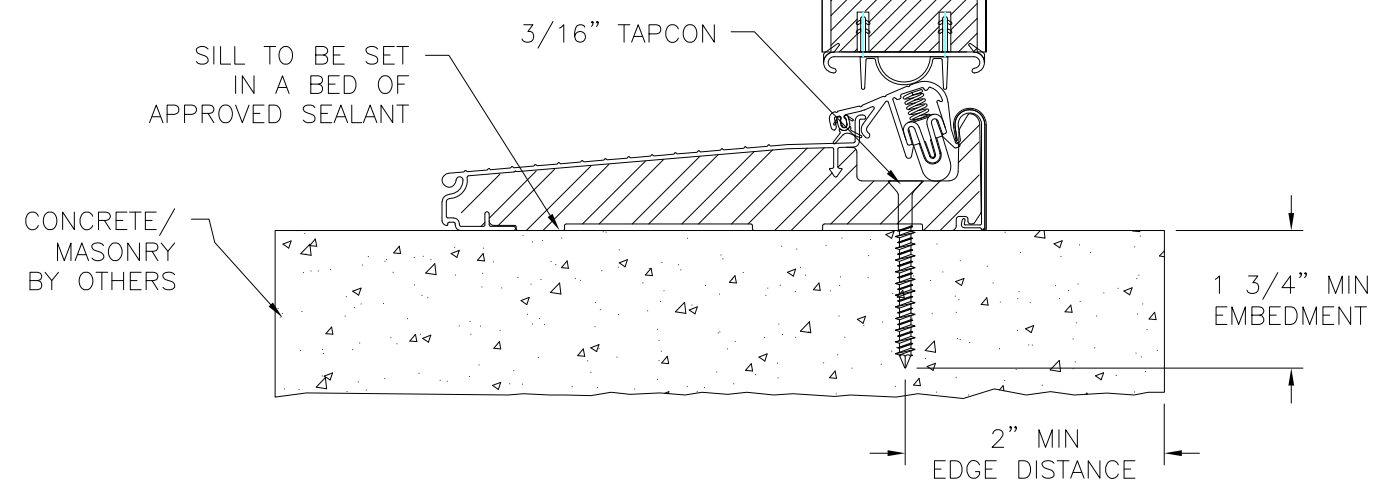


Luis R. Lomas P.E.  
FL No.: 62514

REVISIONS			
REV	DESCRIPTION	DATE	APPROVED
B	ADDED MULTILITE PANELS, TRIMS & FRAME	08/31/2021	R.L.



**JAMB INSTALLATION DETAIL**  
DOOR INSTALLATION  
CONCRETE/MASONRY INSTALLATION



**VERTICAL CROSS SECTION**  
DOOR INSTALLATION  
CONCRETE/MASONRY INSTALLATION

- NOTES:**
1. INTERIOR AND EXTERIOR FINISHES, BY OTHERS, NOT SHOWN FOR CLARITY.
  2. PERIMETER AND JOINT SEALANT BY OTHERS TO BE DESIGNED IN ACCORDANCE WITH ASTM E2112

SIGNED: 09/09/2021

**PROVIA, LLC.**  
2150 STATE ROUTE 39 WEST  
SUGARCREEK, OH 44681

SIGNET INSWING ENTRY DOOR SYSTEM 8'0"  
IMPACT  
INSTALLATION DETAILS W/FUSION FRAME

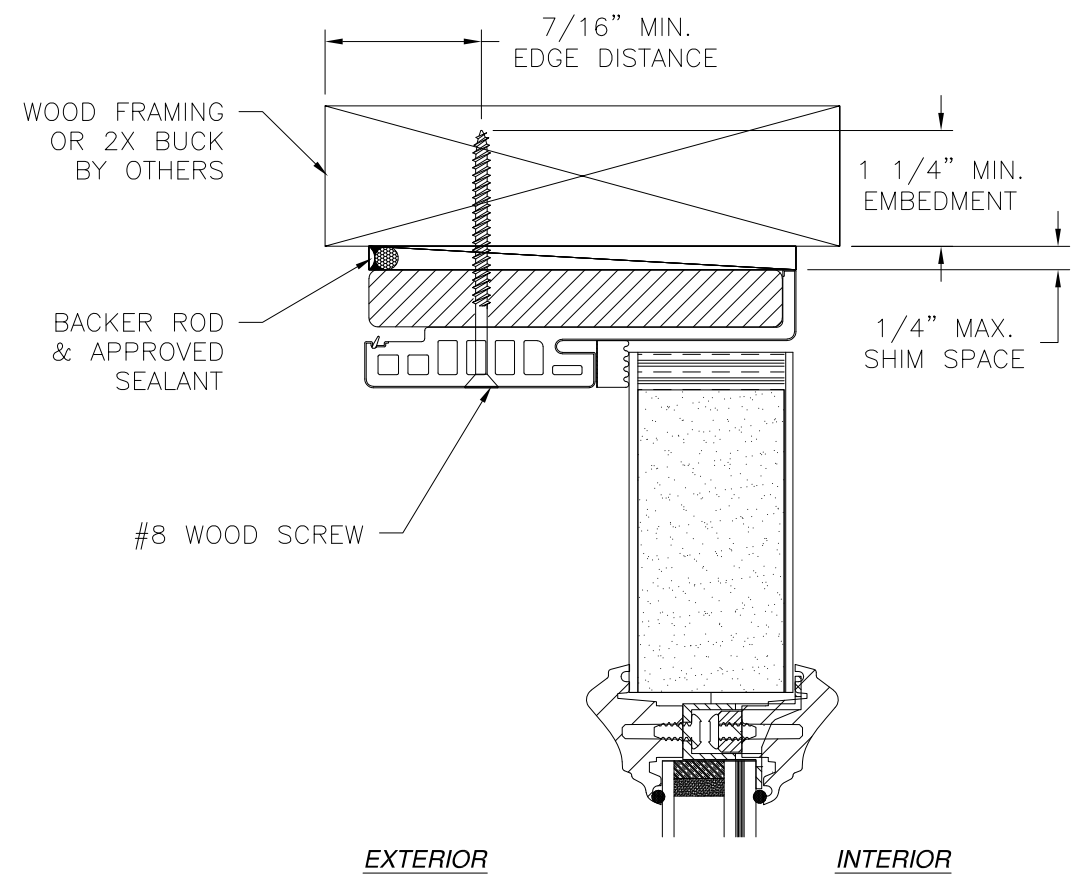
DRAWN: A.R.	DWG NO. 08-03625	REV B
SCALE NTS	DATE 10/14/2020	SHEET 13 OF 21

L. ROBERTO LOMAS P.E.  
1432 WOODFORD RD LEWISVILLE, NC 27023  
434-688-0609 rllomas@rlomaspe.com

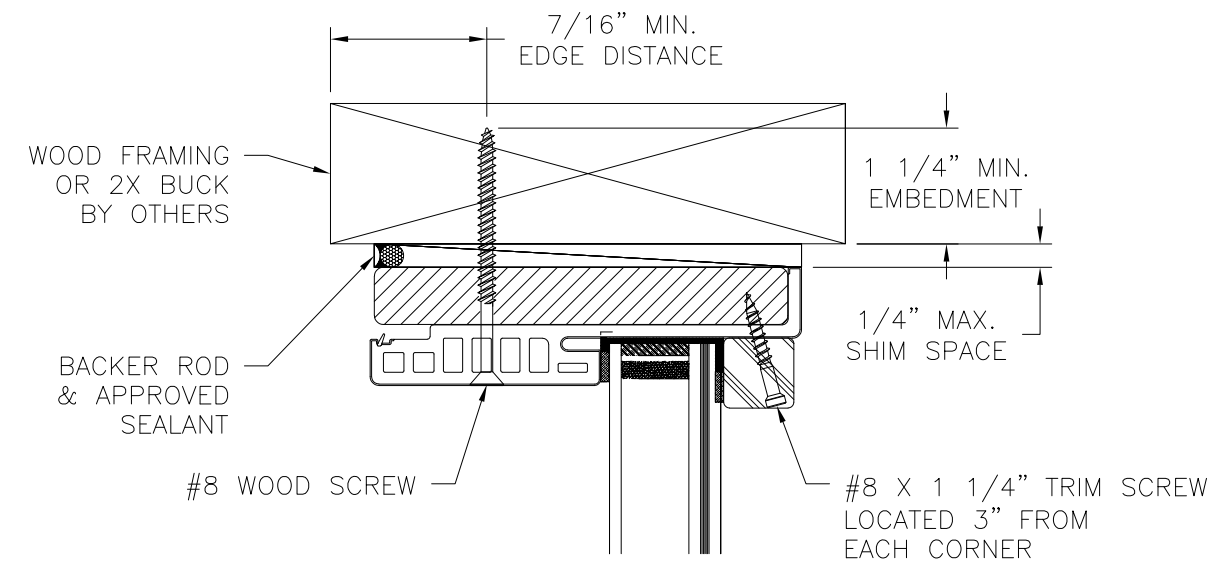


Luis R. Lomas P.E.  
FL No.: 62514

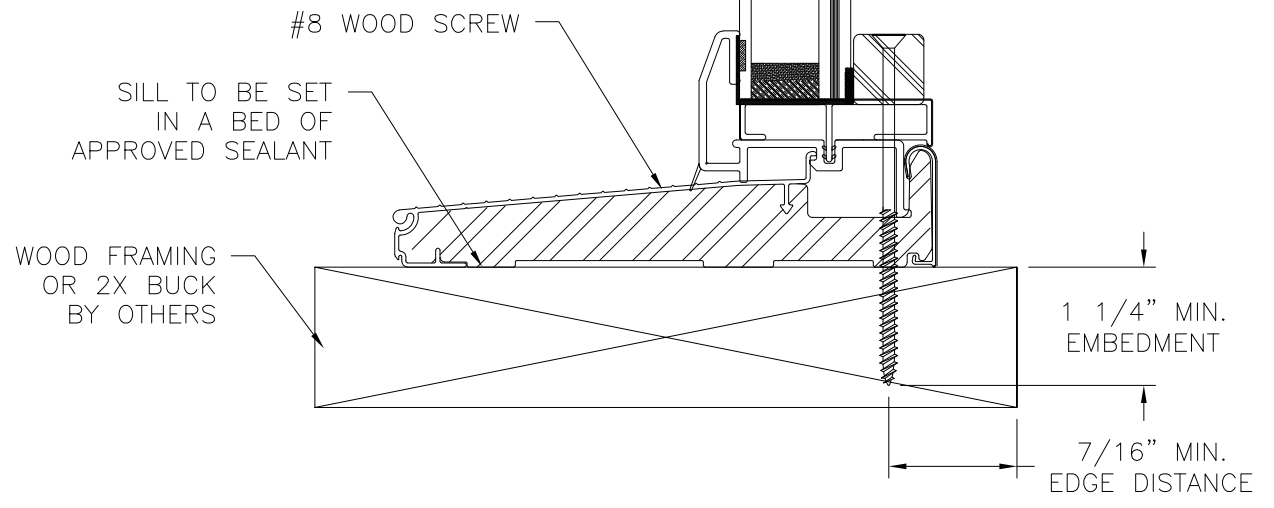
REVISIONS			
REV	DESCRIPTION	DATE	APPROVED
B	ADDED MULTILITE PANELS, TRIMS & FRAME	08/31/2021	R.L.



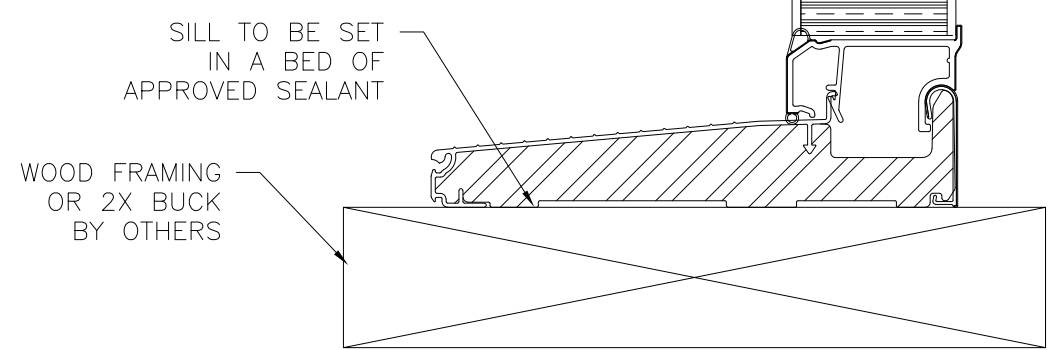
**VERTICAL CROSS SECTION**  
STANDARD SIDELITE INSTALLATION  
WOOD FRAMING OR 2X BUCK INSTALLATION



**VERTICAL CROSS SECTION**  
DIRECT SET SIDELITE INSTALLATION  
WOOD FRAMING OR 2X BUCK INSTALLATION



**VERTICAL CROSS SECTION**  
WOOD FRAMING OR 2X BUCK INSTALLATION



**VERTICAL CROSS SECTION**  
WOOD FRAMING OR 2X BUCK INSTALLATION

- NOTES:**
1. INTERIOR AND EXTERIOR FINISHES, BY OTHERS, NOT SHOWN FOR CLARITY.
  2. PERIMETER AND JOINT SEALANT BY OTHERS TO BE DESIGNED IN ACCORDANCE WITH ASTM E2112

SIGNED: 09/09/2021

PROVIA, LLC.  
2150 STATE ROUTE 39 WEST  
SUGARCREEK, OH 44681

SIGNET INSWING ENTRY DOOR SYSTEM 8'0"  
IMPACT  
INSTALLATION DETAILS W/FUSION FRAME

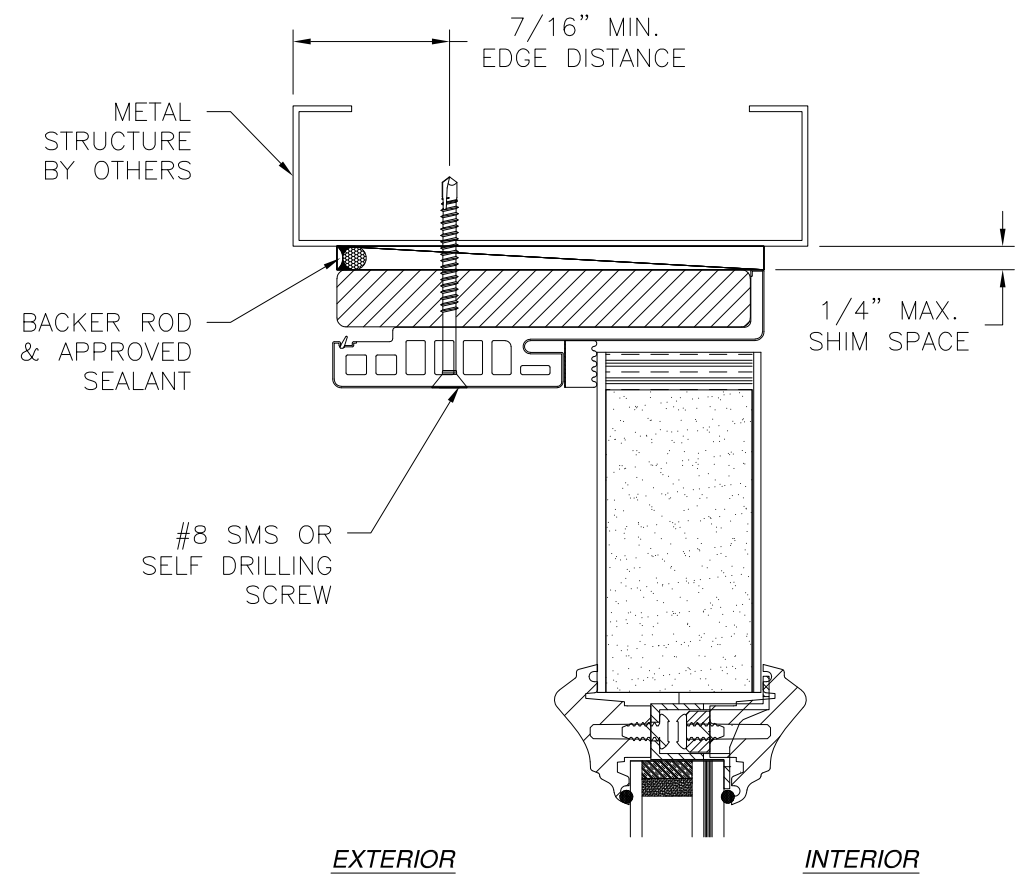
DRAWN: A.R.	DWG NO. 08-03625	REV B
SCALE NTS	DATE 10/14/2020	SHEET 14 OF 21

L. ROBERTO LOMAS P.E.  
1432 WOODFORD RD LEWISVILLE, NC 27023  
434-688-0609 rllomas@rlomaspe.com

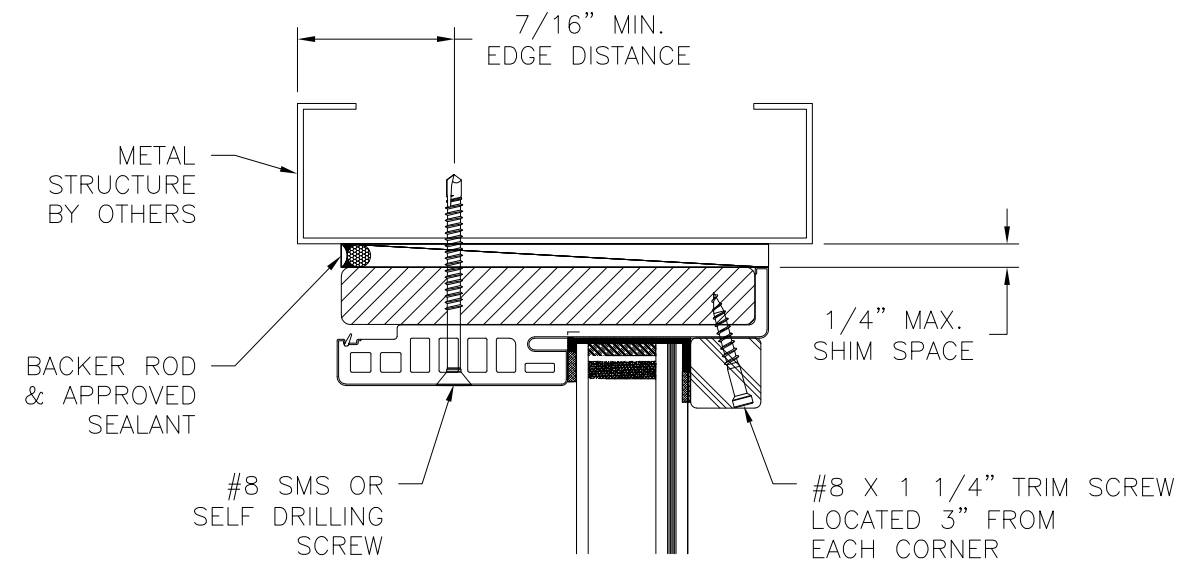


Luis R. Lomas P.E.  
FL No.: 62514

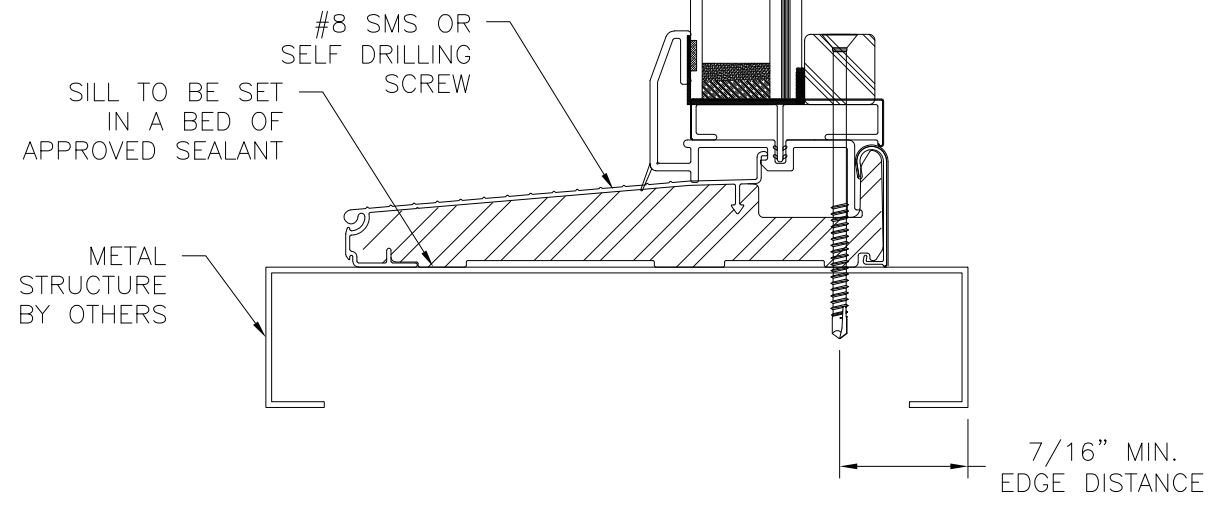
REVISIONS			
REV	DESCRIPTION	DATE	APPROVED
B	ADDED MULTILITE PANELS, TRIMS & FRAME	08/31/2021	R.L.



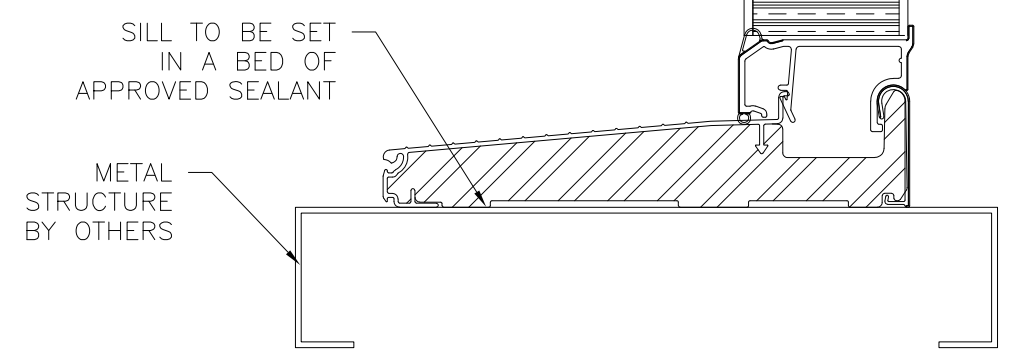
**VERTICAL CROSS SECTION**  
STANDARD SIDELITE INSTALLATION  
METAL STRUCTURE INSTALLATION



**VERTICAL CROSS SECTION**  
DIRECT SET SIDELITE INSTALLATION  
METAL STRUCTURE INSTALLATION



**VERTICAL CROSS SECTION**  
DIRECT SET SIDELITE INSTALLATION  
METAL STRUCTURE INSTALLATION



**VERTICAL CROSS SECTION**  
STANDARD SIDELITE INSTALLATION  
METAL STRUCTURE INSTALLATION

- NOTES:
1. INTERIOR AND EXTERIOR FINISHES, BY OTHERS, NOT SHOWN FOR CLARITY.
  2. PERIMETER AND JOINT SEALANT BY OTHERS TO BE DESIGNED IN ACCORDANCE WITH ASTM E2112

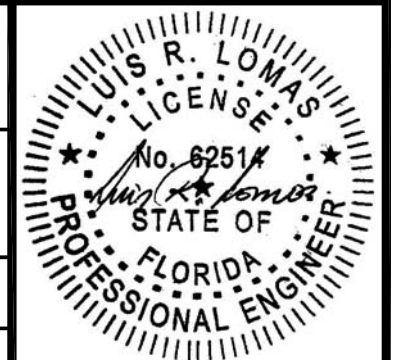
SIGNED: 09/09/2021

PROVIA, LLC.  
2150 STATE ROUTE 39 WEST  
SUGARCREEK, OH 44681

SIGNET INSWING ENTRY DOOR SYSTEM 8'0"  
IMPACT  
INSTALLATION DETAILS W/FUSION FRAME

DRAWN: A.R.	DWG NO. 08-03625	REV B
SCALE NTS	DATE 10/14/2020	SHEET 15 OF 21

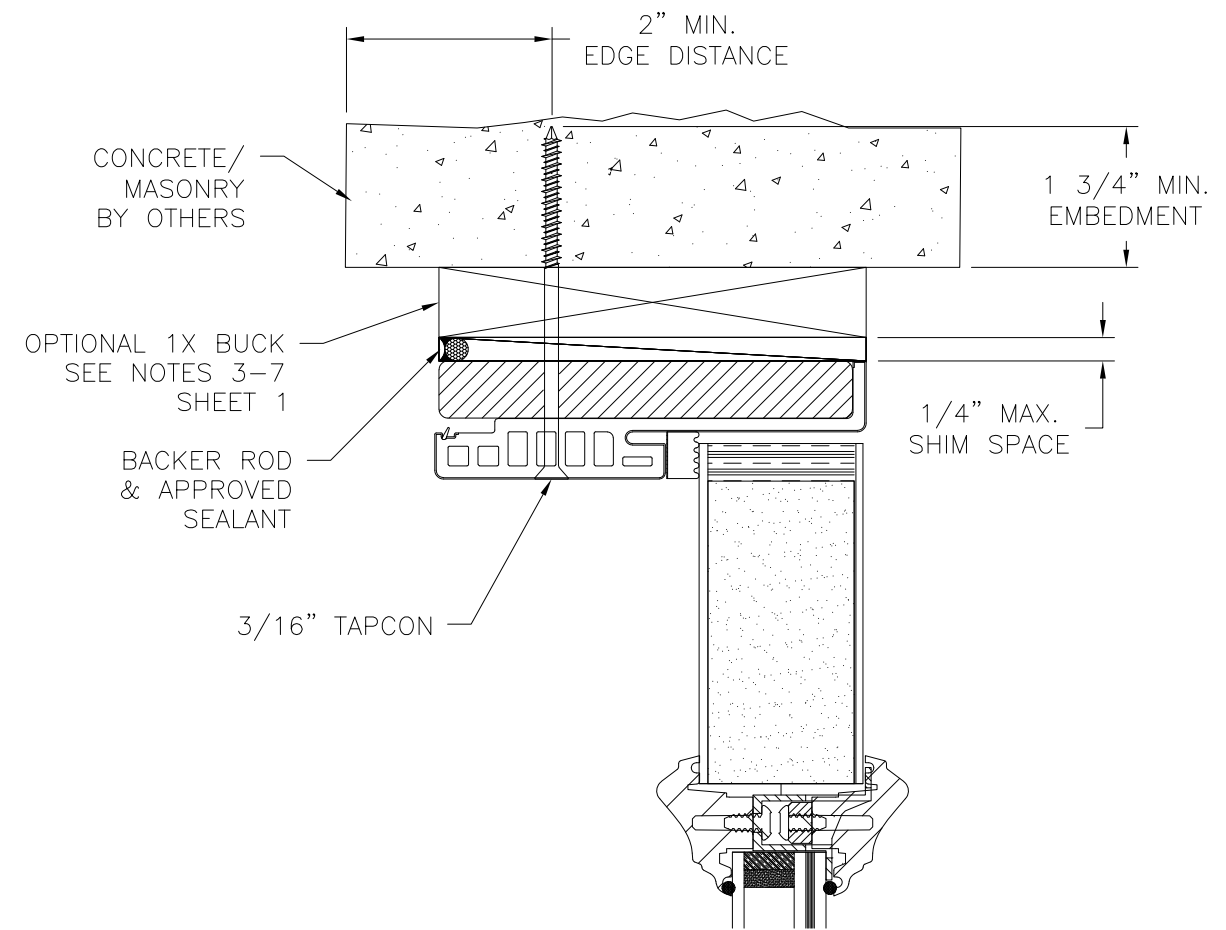
L. ROBERTO LOMAS P.E.  
1432 WOODFORD RD LEWISVILLE, NC 27023  
434-688-0609 rllomas@rlomaspe.com



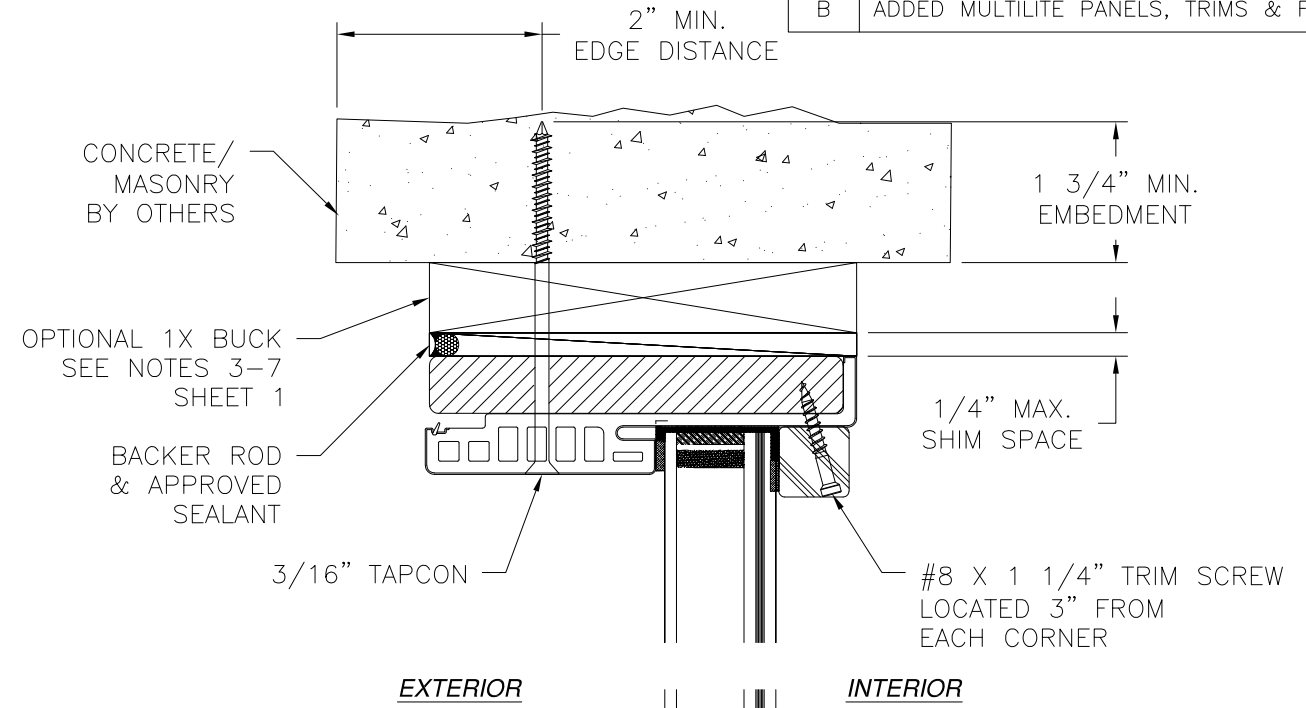
Luis R. Lomas P.E.  
FL No.: 62514



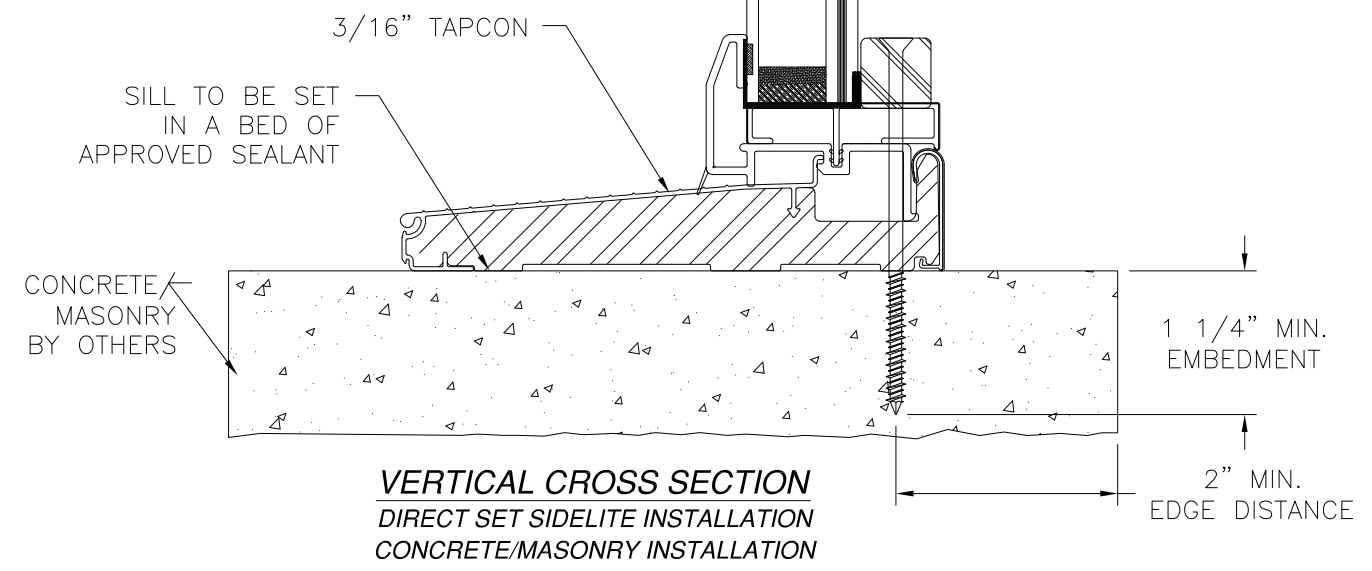
REVISIONS			
REV	DESCRIPTION	DATE	APPROVED
B	ADDED MULTILITE PANELS, TRIMS & FRAME	08/31/2021	R.L.



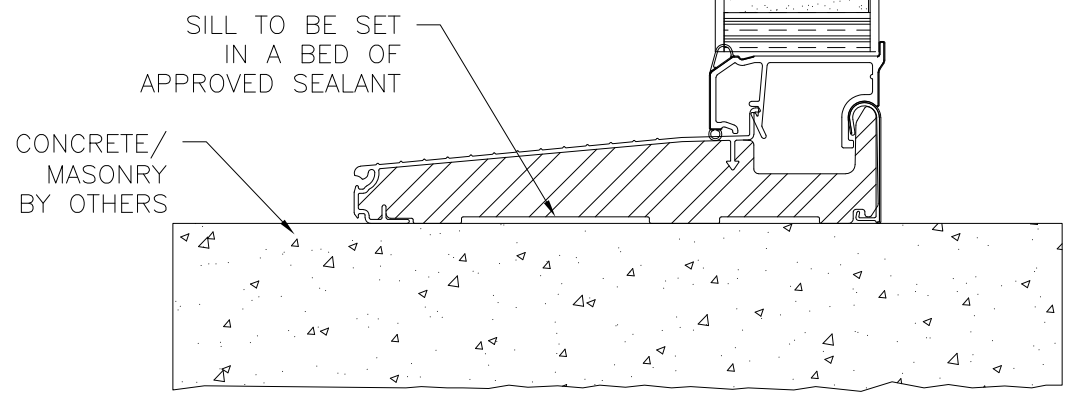
EXTERIOR INTERIOR



EXTERIOR INTERIOR



**VERTICAL CROSS SECTION  
DIRECT SET SIDELITE INSTALLATION  
CONCRETE/MASONRY INSTALLATION**



**VERTICAL CROSS SECTION  
STANDARD SIDELITE INSTALLATION  
CONCRETE/MASONRY INSTALLATION**

- NOTES:**
1. INTERIOR AND EXTERIOR FINISHES, BY OTHERS, NOT SHOWN FOR CLARITY.
  2. PERIMETER AND JOINT SEALANT BY OTHERS TO BE DESIGNED IN ACCORDANCE WITH ASTM E2112

SIGNED: 09/09/2021

**PROVIA, LLC.**  
2150 STATE ROUTE 39 WEST  
SUGARCREEK, OH 44681

SIGNET INSWING ENTRY DOOR SYSTEM 8'0"  
IMPACT  
INSTALLATION DETAILS W/FUSION FRAME

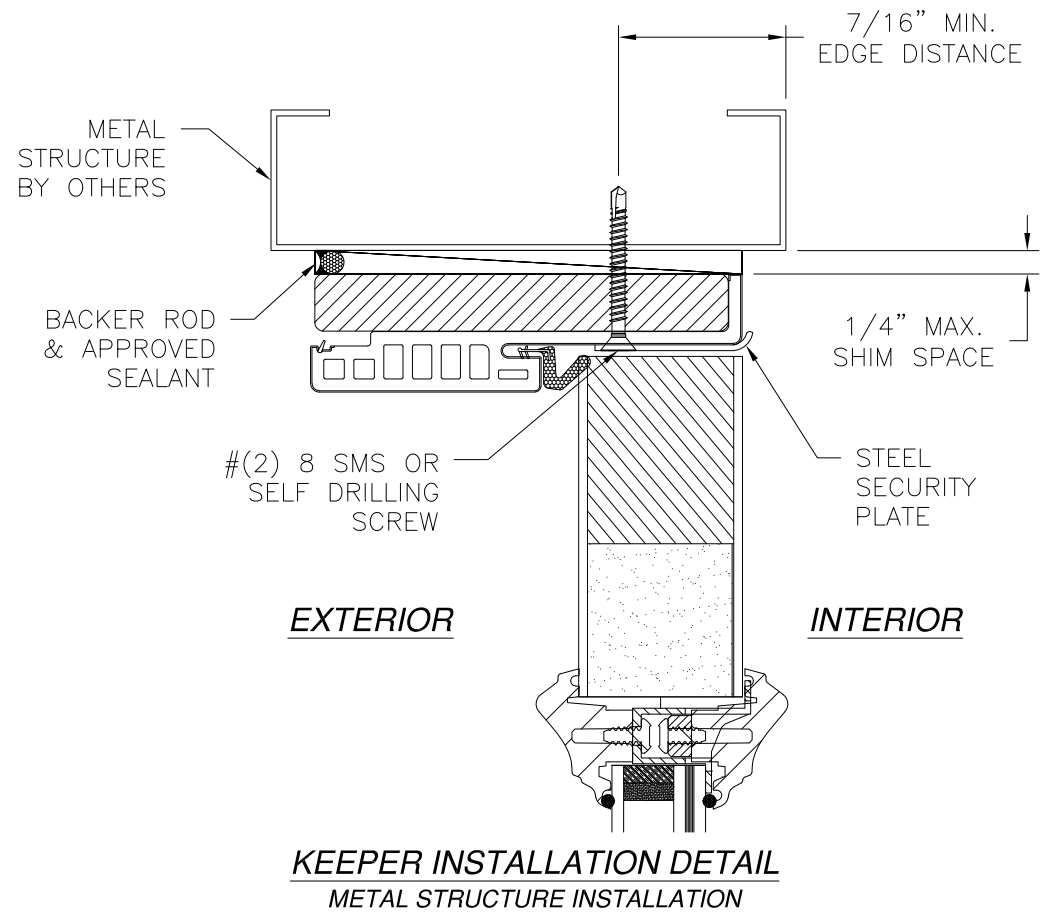
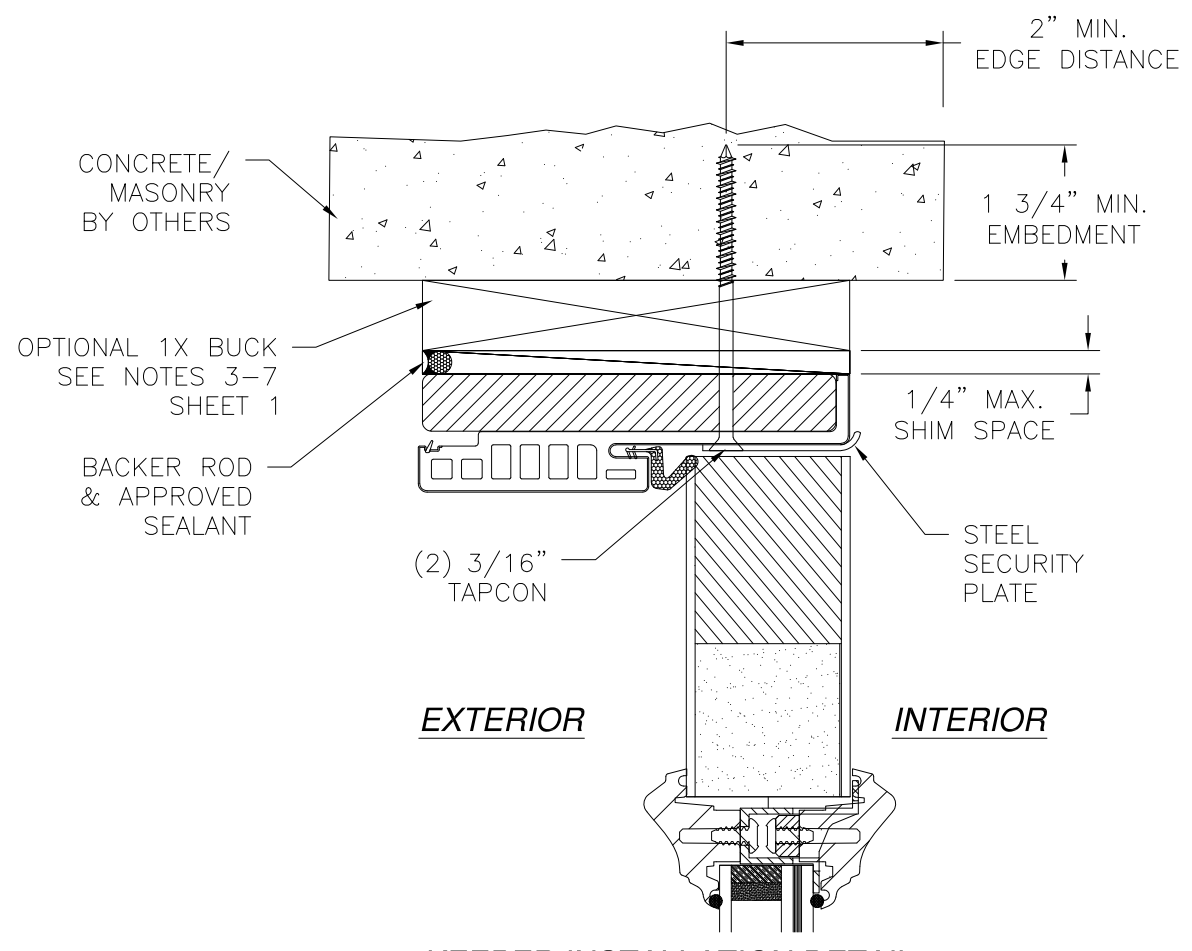
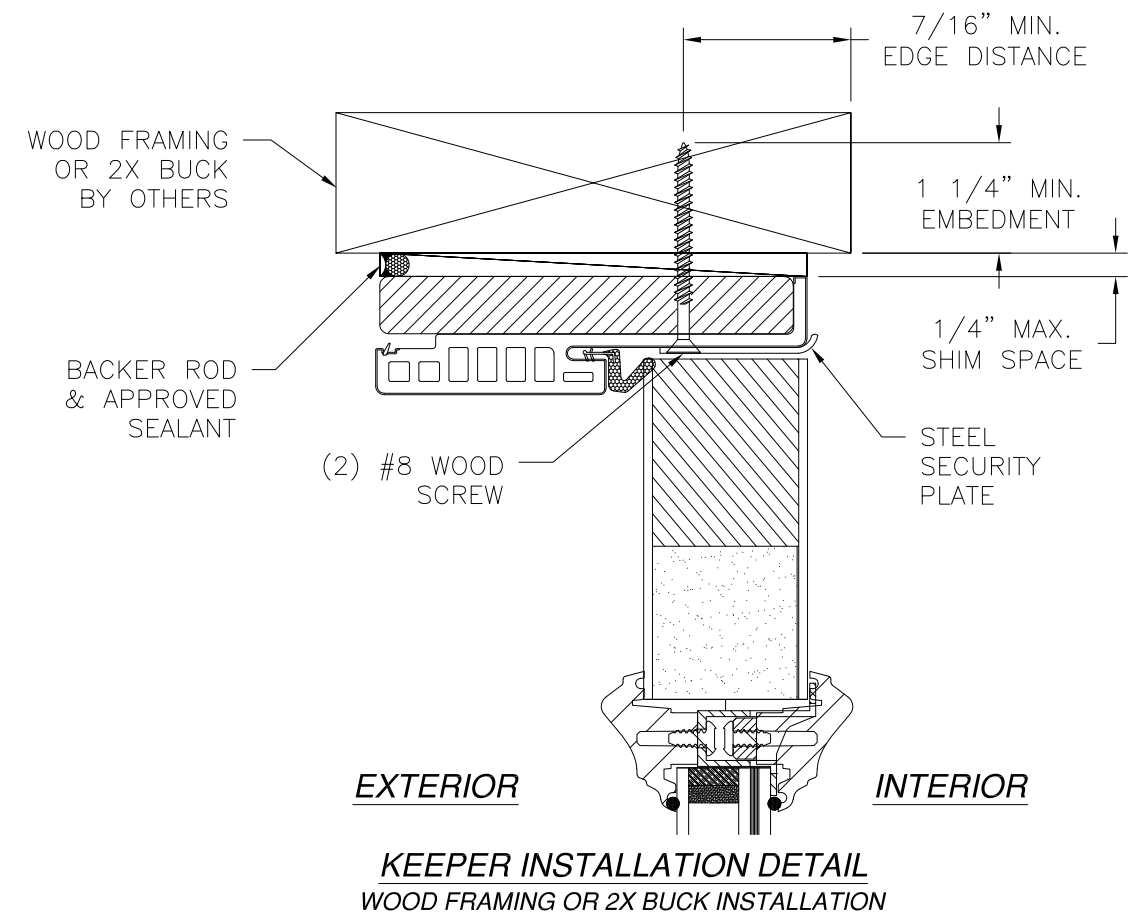
DRAWN: A.R.	DWG NO. 08-03625	REV B
SCALE NTS	DATE 10/14/2020	SHEET 16 OF 21

L. ROBERTO LOMAS P.E.  
1432 WOODFORD RD LEWISVILLE, NC 27023  
434-688-0609 rllomas@rlomaspe.com

L. ROBERTO LOMAS  
No. 62514  
STATE OF FLORIDA  
PROFESSIONAL ENGINEER

Luis R. Lomas P.E.  
FL No.: 62514

REVISIONS			
REV	DESCRIPTION	DATE	APPROVED
B	ADDED MULTILITE PANELS, TRIMS & FRAME	08/31/2021	R.L.



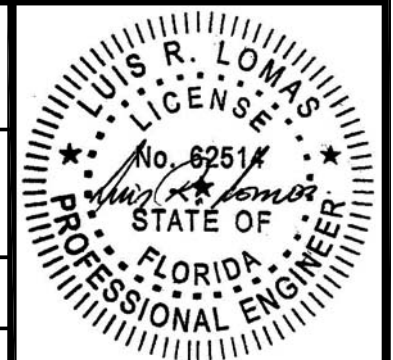
PROVIA, LLC.  
2150 STATE ROUTE 39 WEST  
SUGARCREEK, OH 44681

SIGNET INSWING ENTRY DOOR SYSTEM 8'0"  
IMPACT  
INSTALLATION DETAILS W/FUSION FRAME

DRAWN: A.R.	DWG NO. 08-03625	REV B
SCALE NTS	DATE 10/14/2020	SHEET 17 OF 21

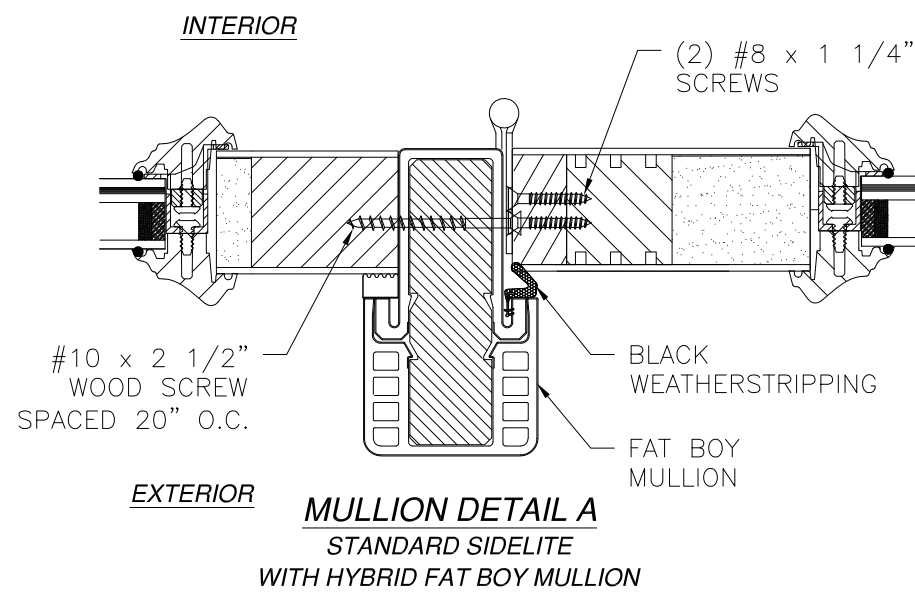
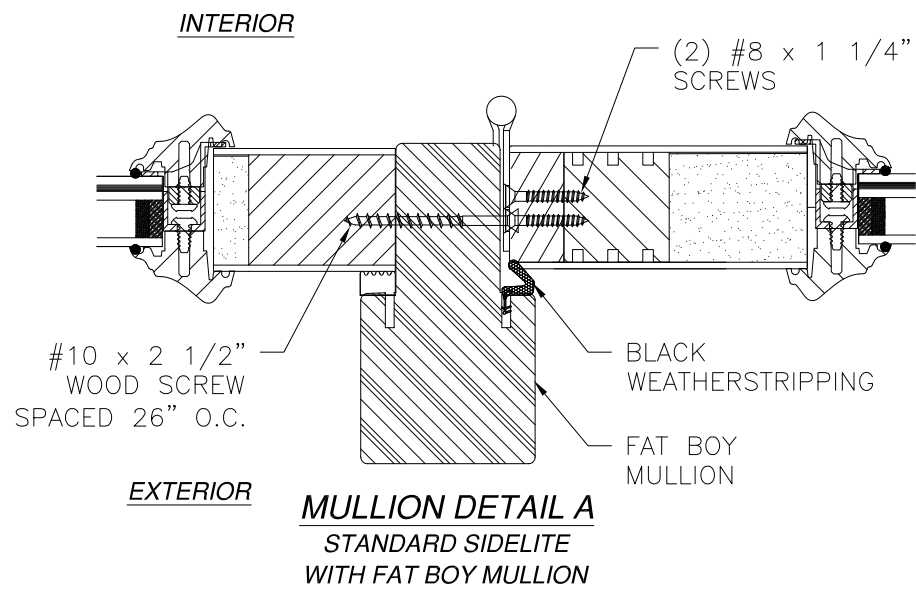
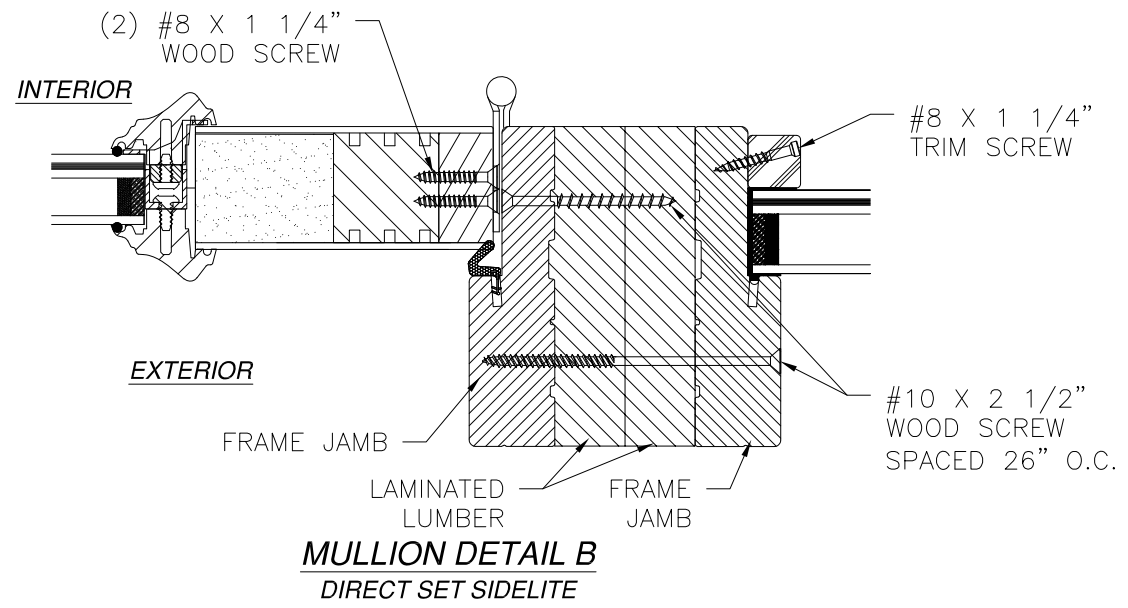
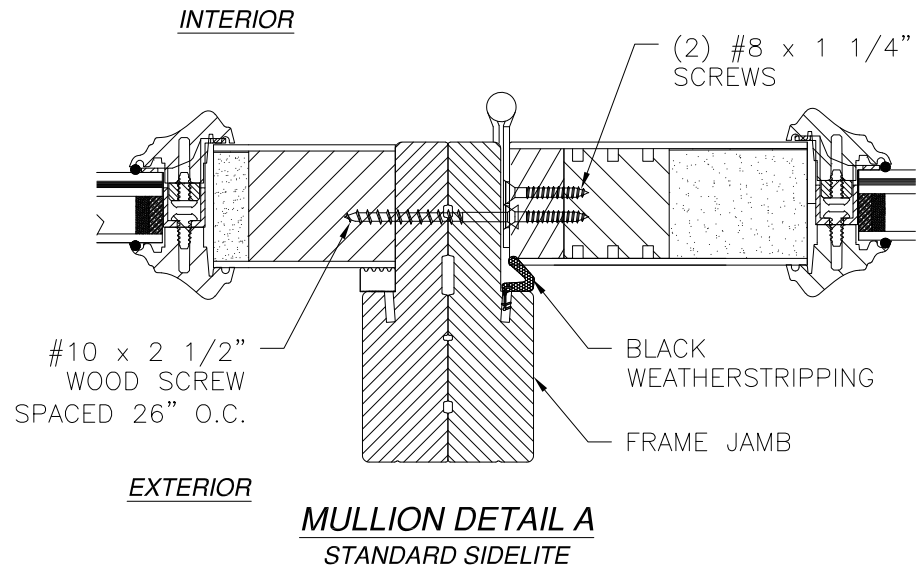
L. ROBERTO LOMAS P.E.  
1432 WOODFORD RD LEWISVILLE, NC 27023  
434-688-0609 rllomas@rlomaspe.com

SIGNED: 09/09/2021



Luis R. Lomas P.E.  
FL No.: 62514

REVISIONS			
REV	DESCRIPTION	DATE	APPROVED
B	ADDED MULTILITE PANELS, TRIMS & FRAME	08/31/2021	R.L.



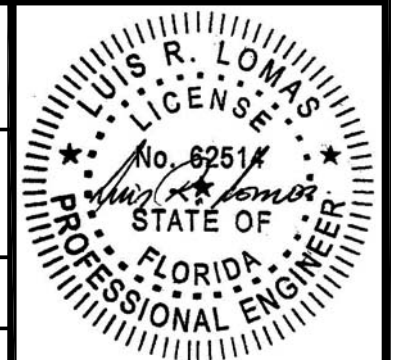
SIGNED: 09/09/2021

PROVIA, LLC.  
2150 STATE ROUTE 39 WEST  
SUGARCREEK, OH 44681

SIGNET INSWING ENTRY DOOR SYSTEM 8'0"  
IMPACT  
MULLION DETAILS

DRAWN: A.R.	DWG NO. 08-03625	REV B
SCALE NTS	DATE 10/14/2020	SHEET 18 OF 21

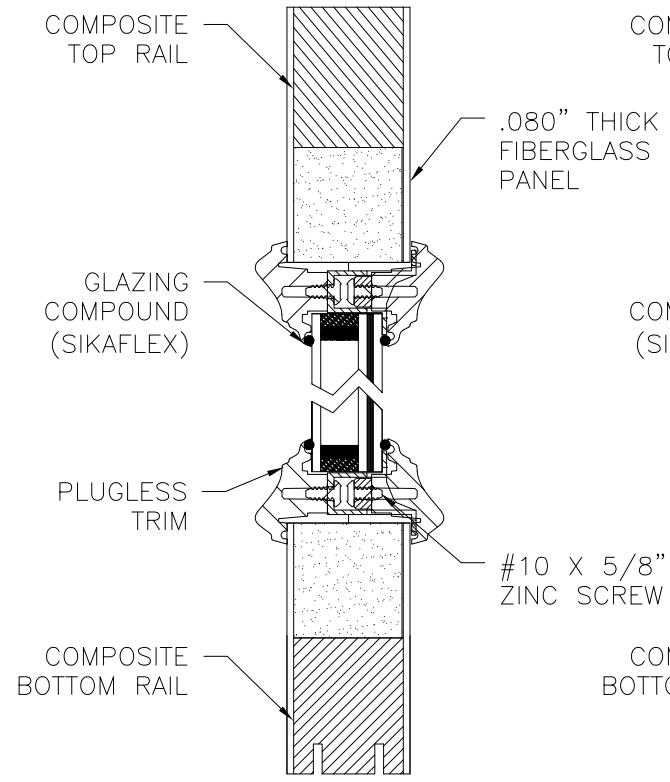
L. ROBERTO LOMAS P.E.  
1432 WOODFORD RD LEWISVILLE, NC 27023  
434-688-0609 rllomas@lrlomaspe.com



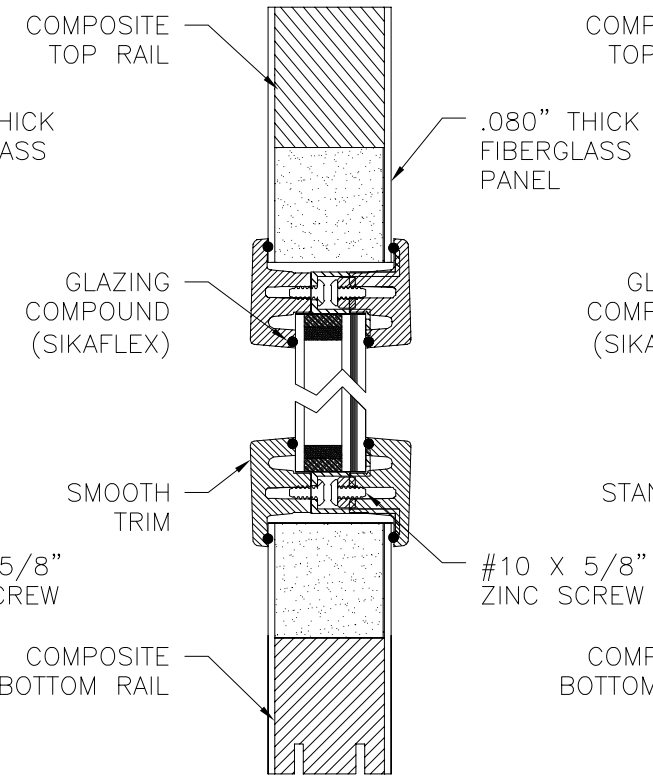
Luis R. Lomas P.E.  
FL No.: 62514

# APPROVED SLABS AND TRIMS

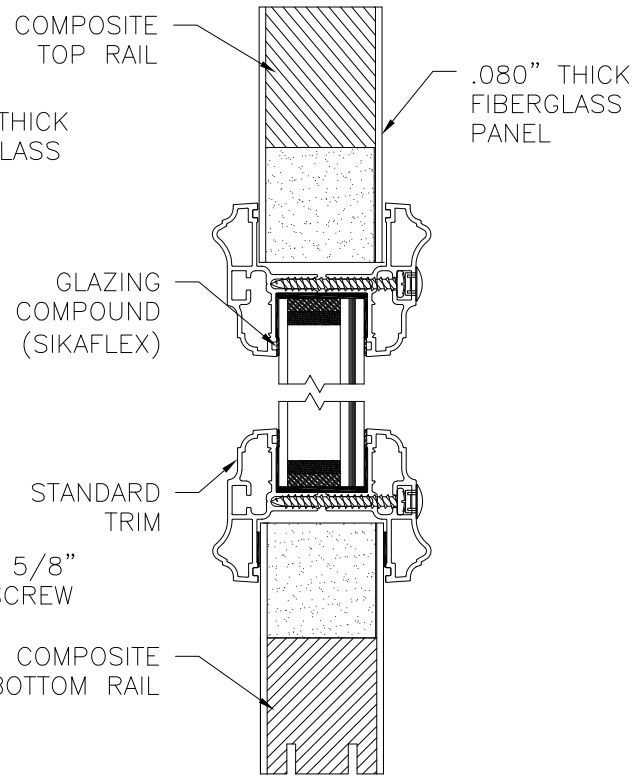
REVISIONS			
REV	DESCRIPTION	DATE	APPROVED
B	ADDED MULTILITE PANELS, TRIMS & FRAME	08/31/2021	R.L.



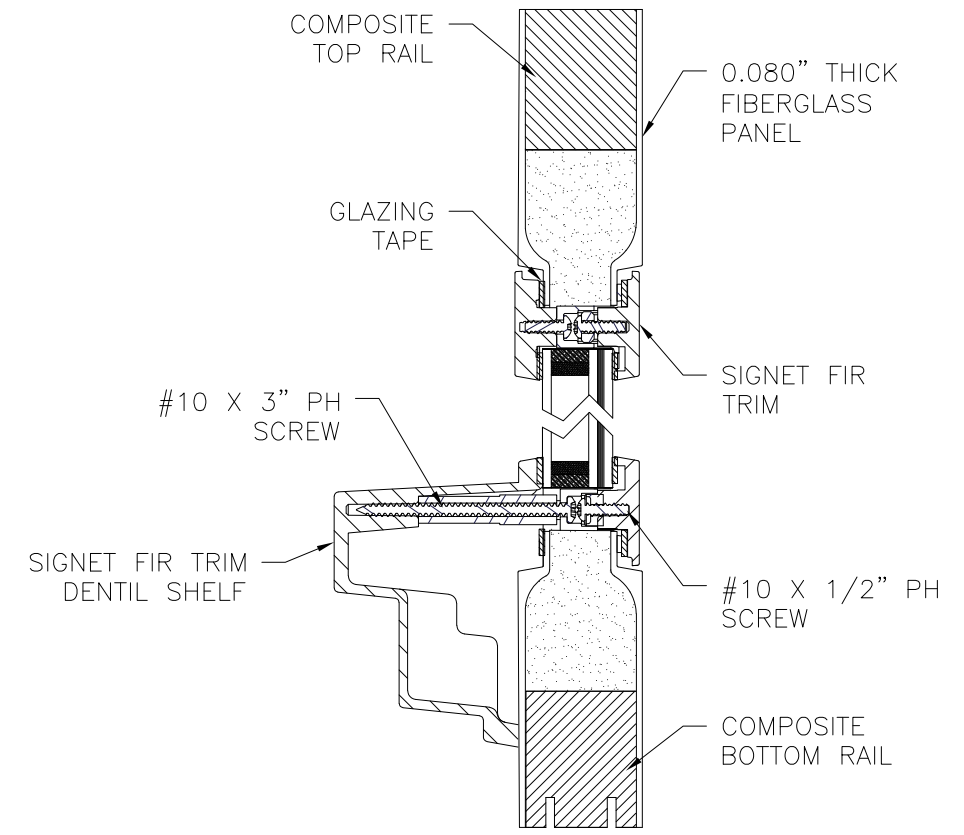
**PANEL OPTION 1**  
PLUGLESS TRIM



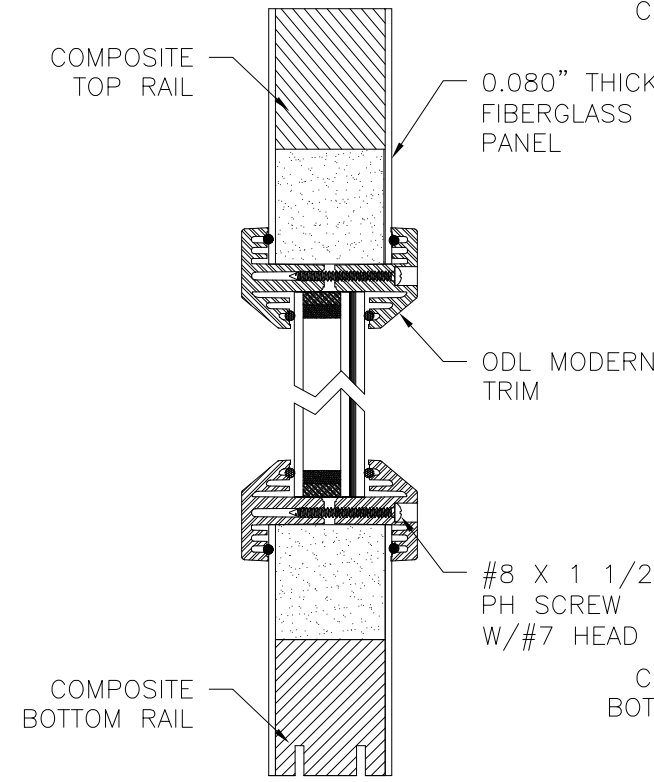
**PANEL OPTION 2**  
SMOOTH TRIM



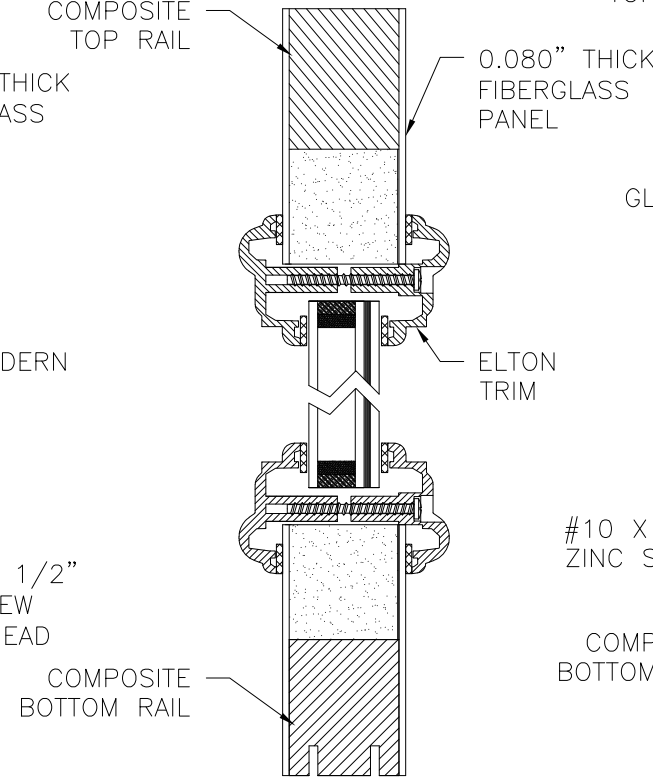
**PANEL OPTION 3**  
STANDARD TRIM



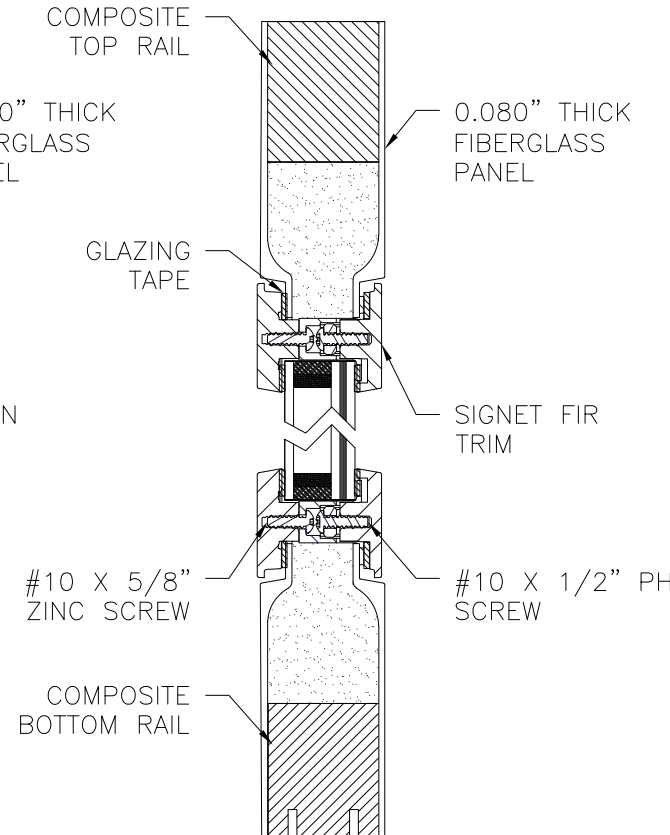
**OPTION 7**  
SIGNET FIR &  
DENTIL SHELF TRIM



**OPTION 4**  
ODL MODERN TRIM



**OPTION 5**  
ELTON TRIM



**OPTION 6**  
SIGNET FIR TRIM

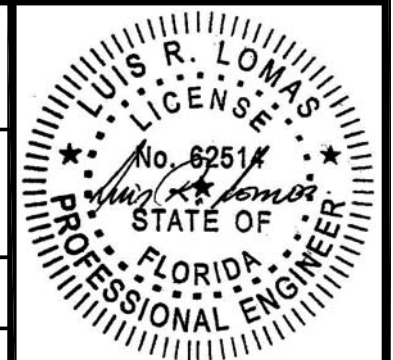
PROVIA, LLC.  
2150 STATE ROUTE 39 WEST  
SUGARCREEK, OH 44681

SIGNET INSWING ENTRY DOOR SYSTEM 8'0"  
IMPACT  
APPROVED SLABS AND TRIMS

DRAWN: A.R.	DWG NO. 08-03625	REV B
SCALE NTS	DATE 10/14/2020	SHEET 19 OF 21

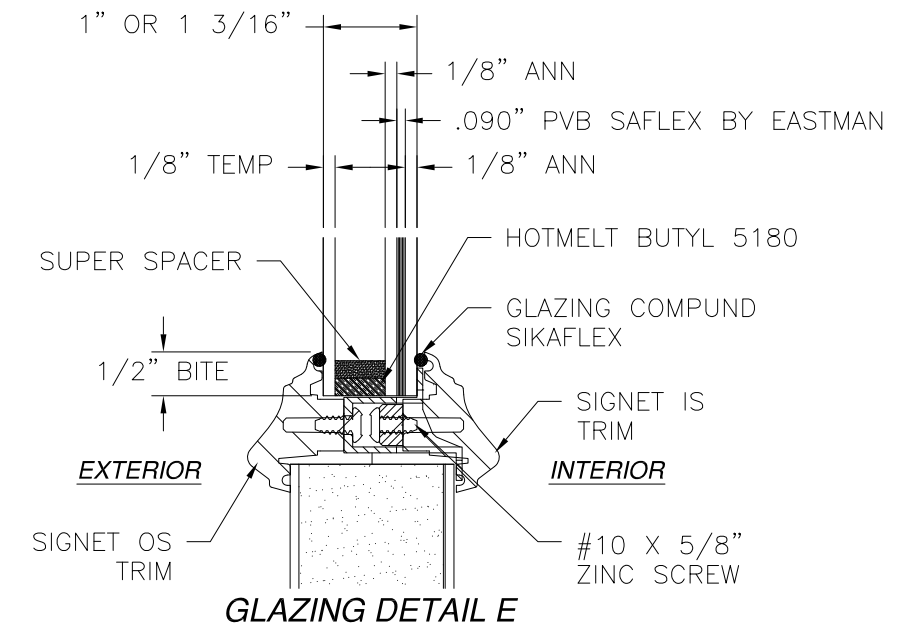
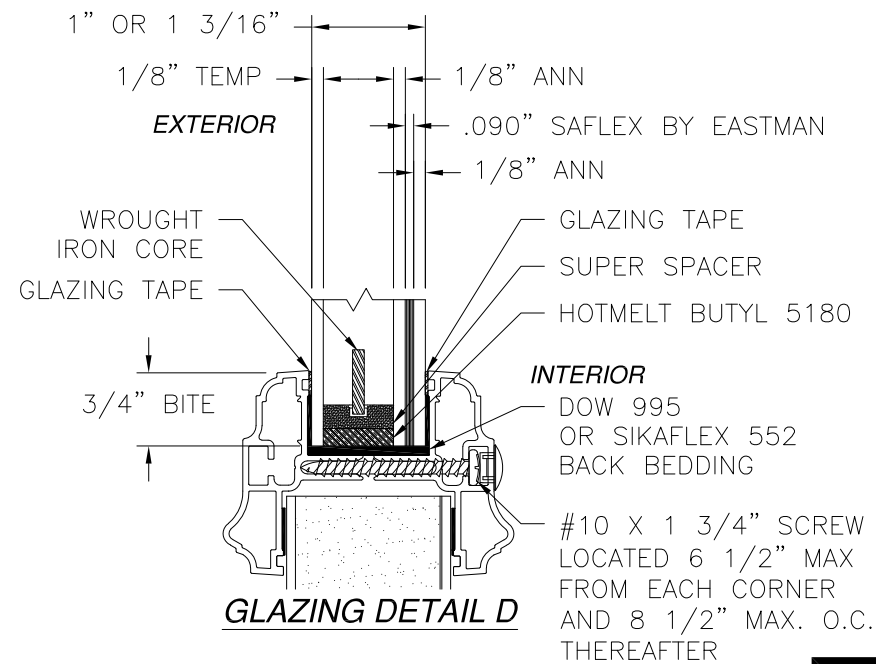
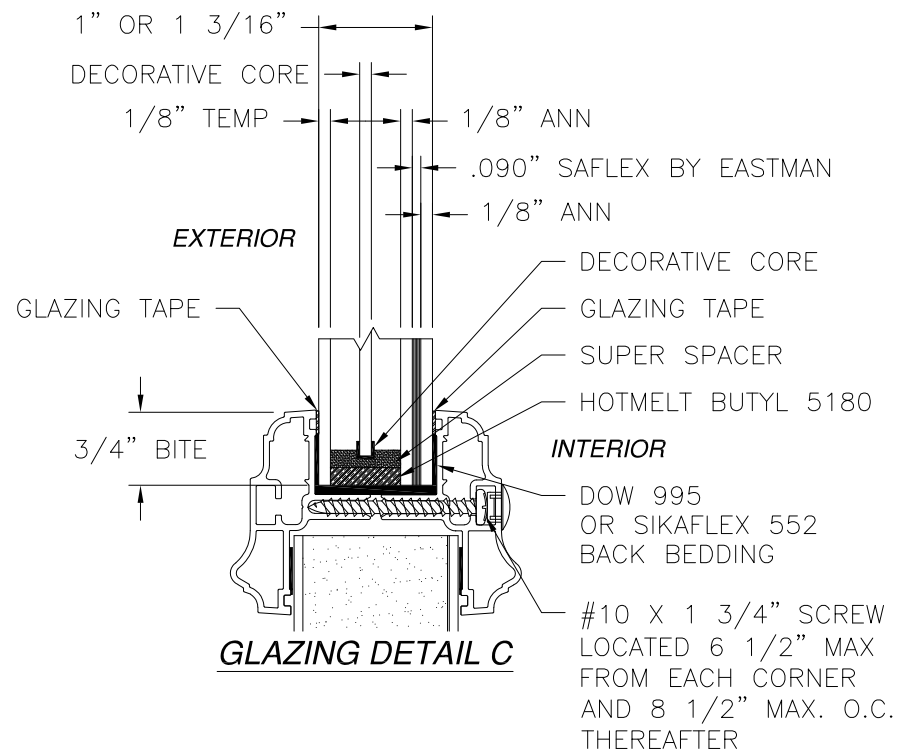
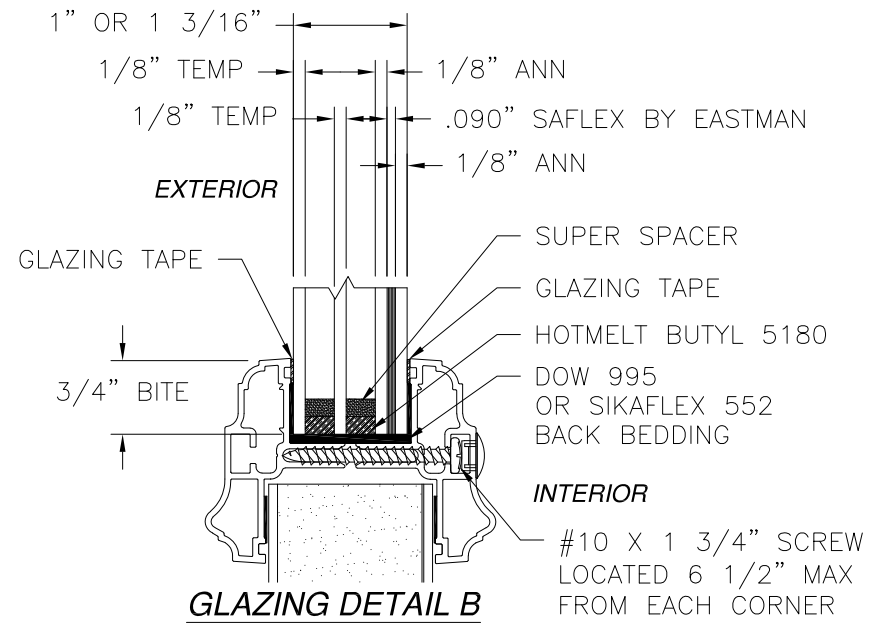
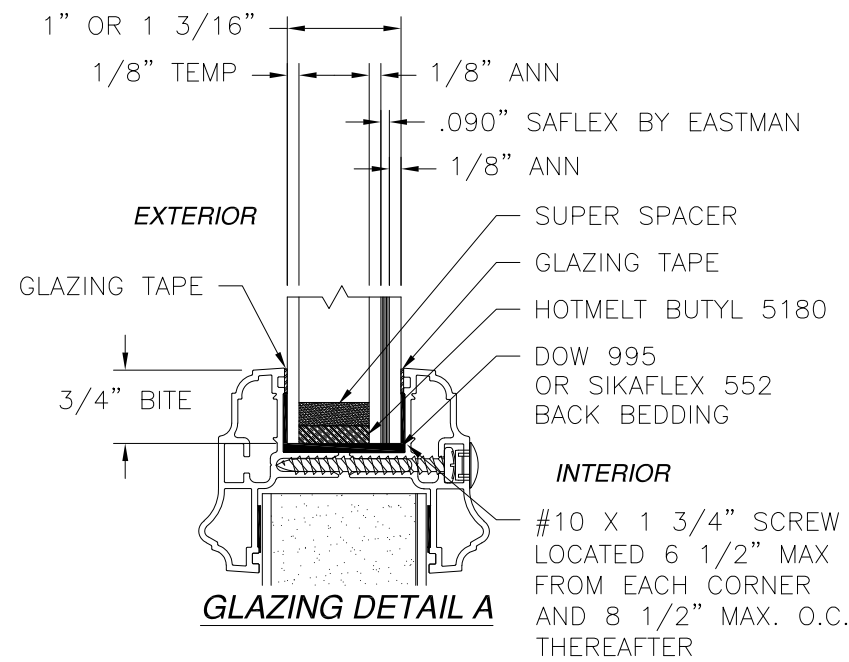
L. ROBERTO LOMAS P.E.  
1432 WOODFORD RD LEWISVILLE, NC 27023  
434-688-0609 rllomas@rlomaspe.com

SIGNED: 09/09/2021



Luis R. Lomas P.E.  
FL No.: 62514

REVISIONS			
REV	DESCRIPTION	DATE	APPROVED
B	ADDED MULTILITE PANELS, TRIMS & FRAME	08/31/2021	R.L.



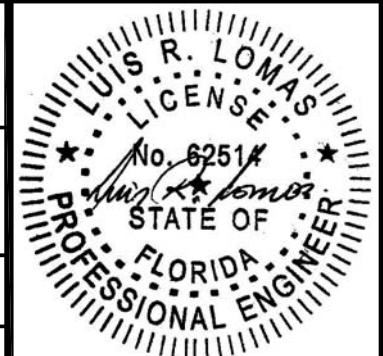
SIGNED: 09/09/2021

PROVIA, LLC.  
2150 STATE ROUTE 39 WEST  
SUGARCREEK, OH 44681

SIGNET INSWING ENTRY DOOR SYSTEM 8'0"  
IMPACT  
GLAZING DETAILS

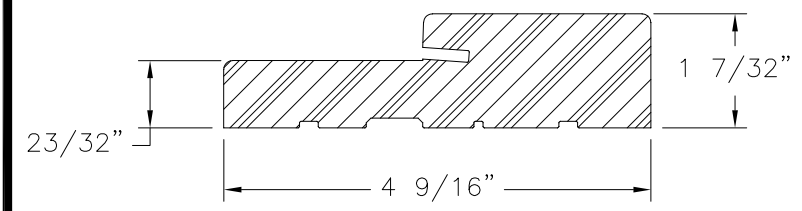
DRAWN: A.R.	DWG NO. 08-03625	REV B
SCALE NTS	DATE 10/14/2020	SHEET 20 OF 21

L. ROBERTO LOMAS P.E.  
1432 WOODFORD RD LEWISVILLE, NC 27023  
434-688-0609 rllomas@rlomaspe.com

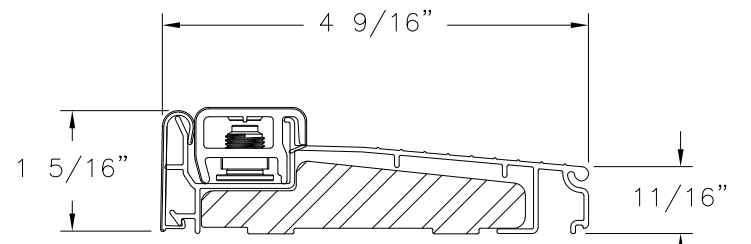


Luis R. Lomas P.E.  
FL No.: 62514

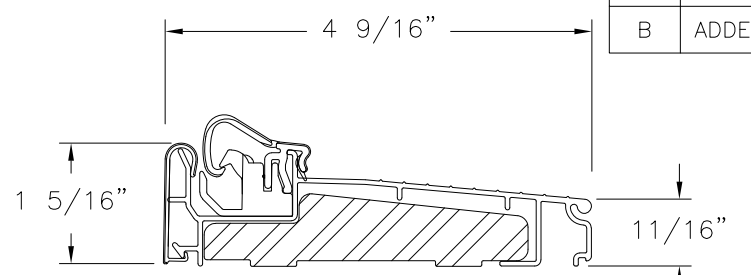
REVISIONS			
REV	DESCRIPTION	DATE	APPROVED
B	ADDED MULTILITE PANELS, TRIMS & FRAME	08/31/2021	R.L.



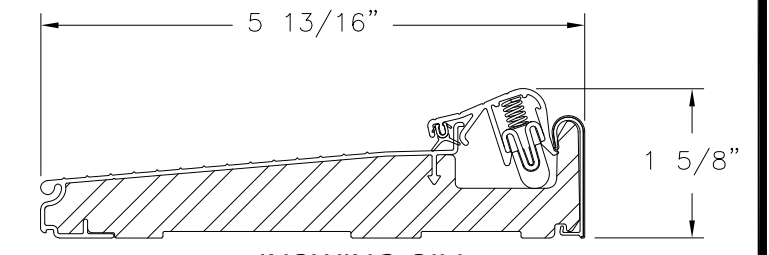
**FRAMESAVER  
COMPOSITE**



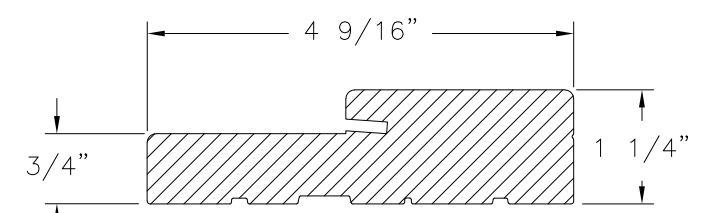
**INSWING SILL ZAIL4565**



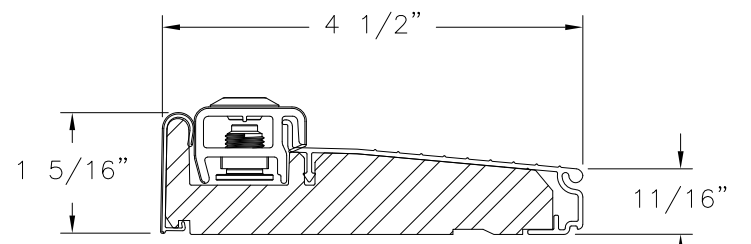
**INSWING SILL ZA4L4565**



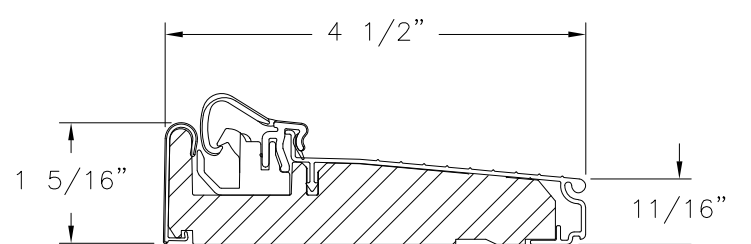
**INSWING SILL  
DOOR**



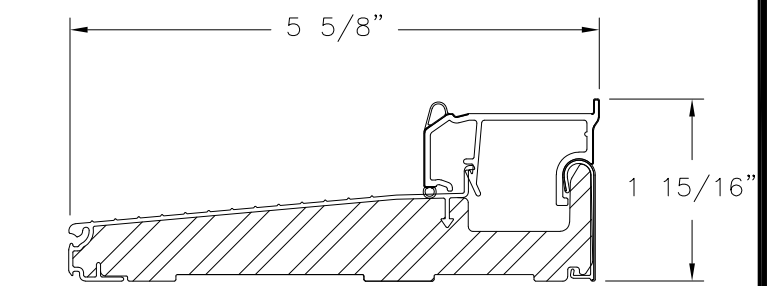
**WOOD FRAME PROFILE**



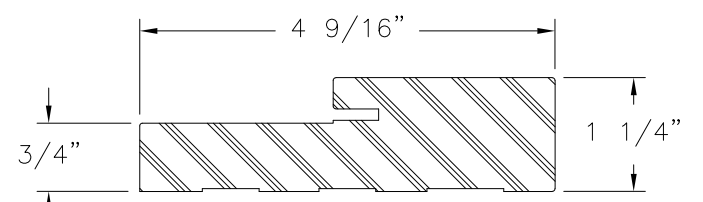
**INSWING SILL ZAI4565F**



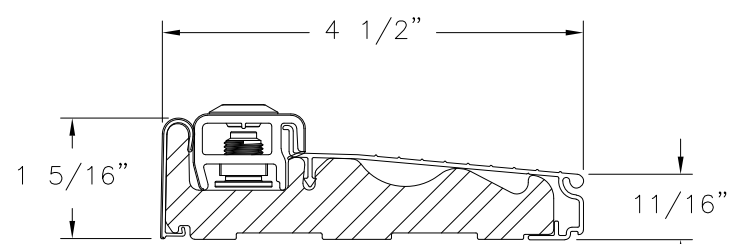
**INSWING SILL ZAC4565F**



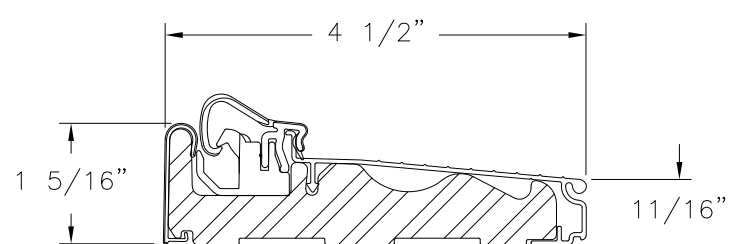
**INSWING SILL  
STANDARD SIDELITE**



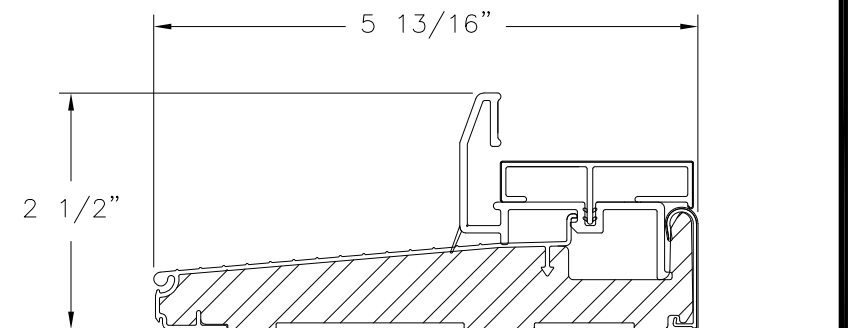
**COMPOSITE FRAME PROFILE**



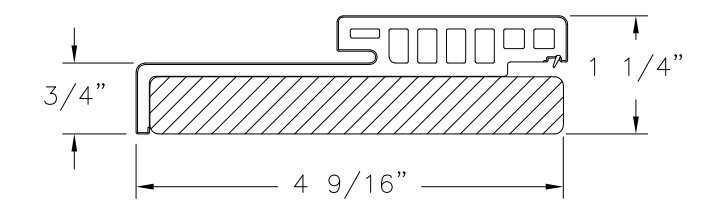
**INSWING SILL ZAILH4565**



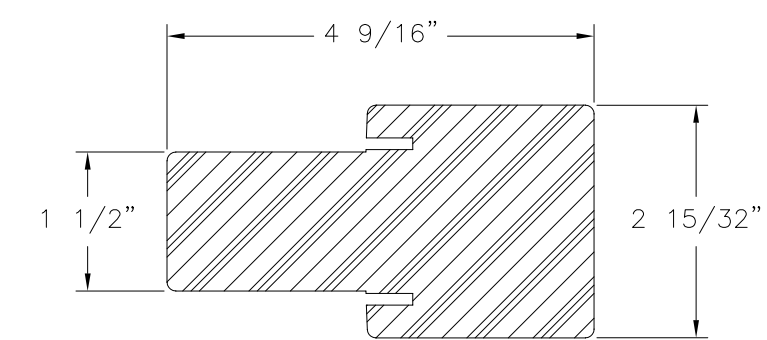
**INSWING SILL ZA4LH4565**



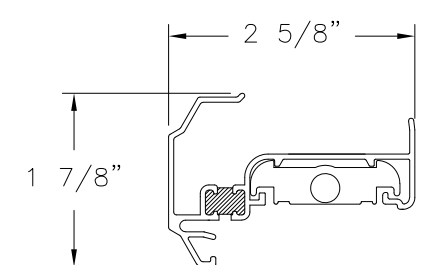
**INSWING SILL  
DIRECT SET SIDELITE**



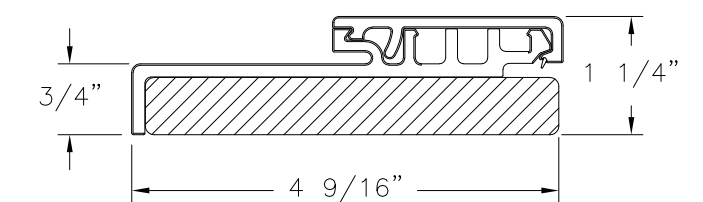
**HYBRID HEAD  
WOOD/COMPOSITE**



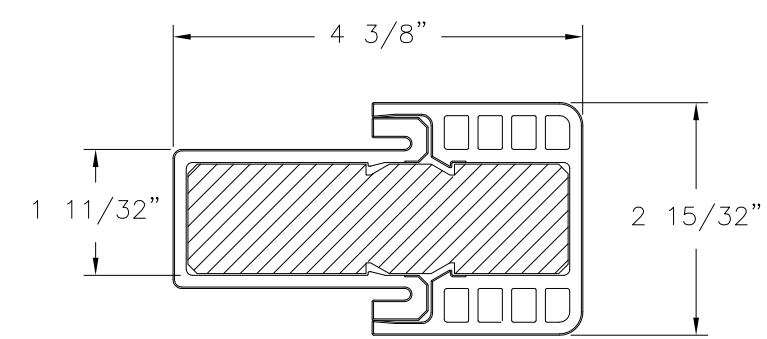
**FAT BOY MULLION  
COMPOSITE**



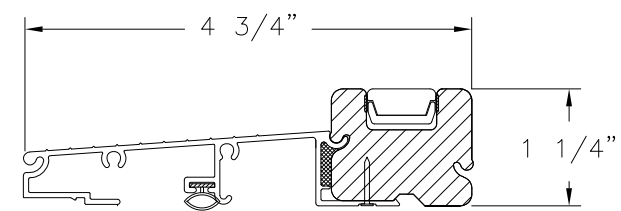
**ASTRAGAL WITH  
THERMAL BREAK ASSEMBLY**



**HYBRID JAMB  
WOOD/COMPOSITE**



**HYBRID FAT BOY MULLION  
COMPOSITE**



**SAHARA INSWING THRESHOLD**

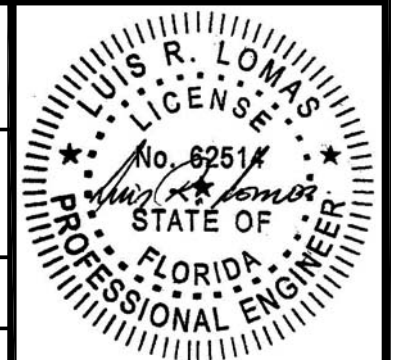
SIGNED: 09/09/2021

PROVIA, LLC.  
2150 STATE ROUTE 39 WEST  
SUGARCREEK, OH 44681

SIGNET INSWING ENTRY DOOR SYSTEM 8'0"  
IMPACT  
COMPONENTS

DRAWN: A.R.	DWG NO. 08-03625	REV B
SCALE NTS	DATE 10/14/2020	SHEET 21 OF 21

L. ROBERTO LOMAS P.E.  
1432 WOODFORD RD LEWISVILLE, NC 27023  
434-688-0609 rllomas@rlomaspe.com



Luis R. Lomas P.E.  
FL No.: 62514