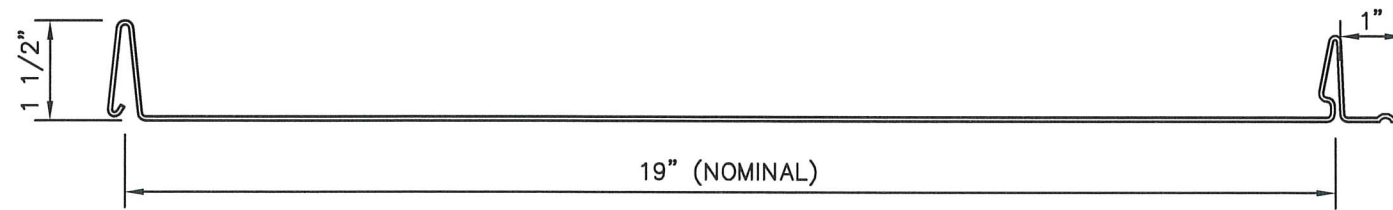
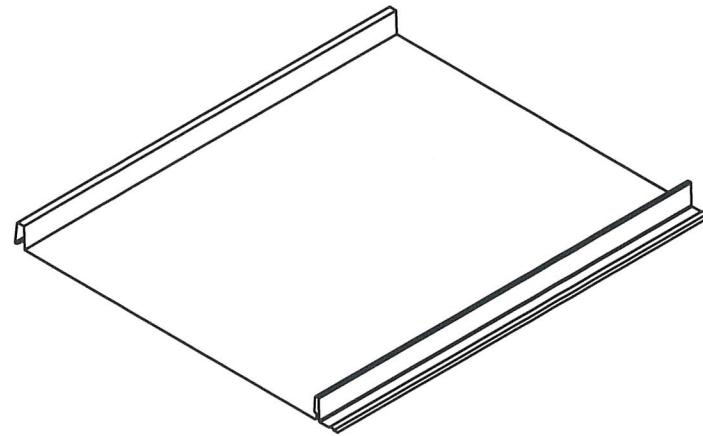
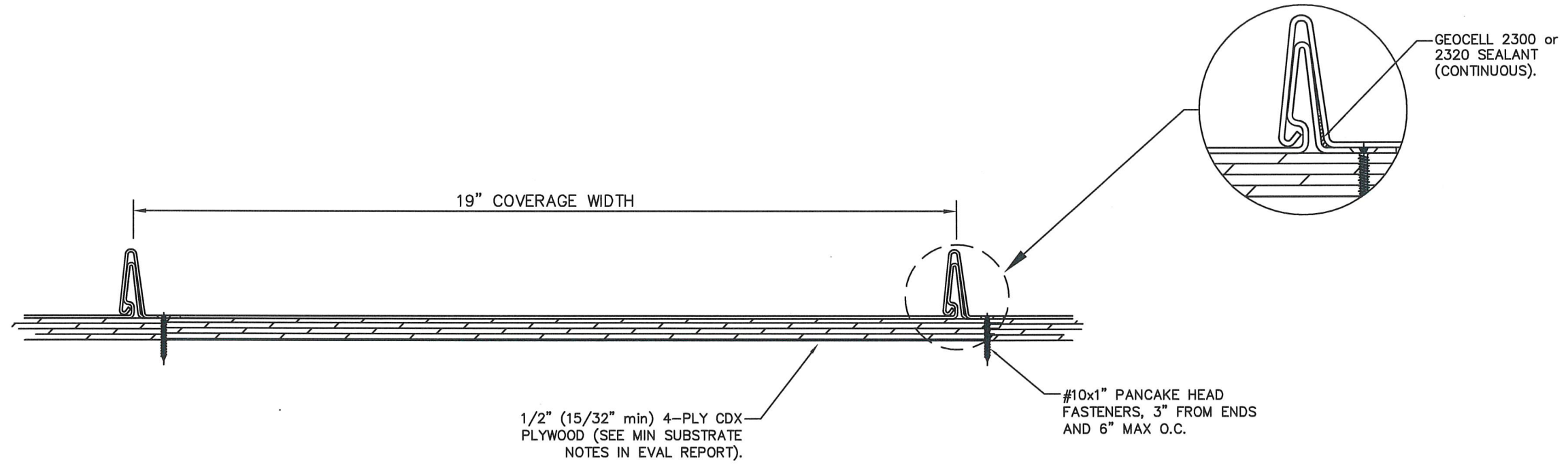


ARMOUR LOC 24 Ga. STEEL 1 1/2" NAILSTRIP
19" WIDE ROOF PANELS OVER 1/2" CDX PLYWOOD



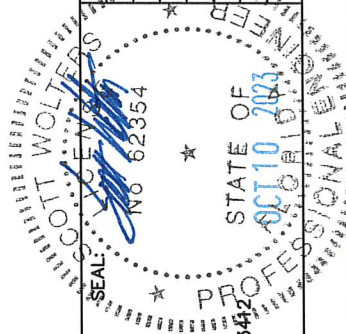
PANEL PROFILE

MAX DESIGN PRESSURE
-112.5 Psf

GENERAL NOTES:

1. ROOF SLOPE IS LIMITED PER THE REQUIREMENTS OF FBC SECTION 1507.4.2 or 1515.2.
2. DESIGN OF SUBSTRATE IS BY OTHERS AND NOT A PART OF THIS APPROVAL.
3. ALL PANEL SYSTEM PERIMETERS, PENETRATIONS, AND TRANSITIONS TO BE FLASHED AND SEALED PER THE REQUIREMENTS OF RAS 133.

				10/10/23	
				8/1/22	
				REV #	DATE



SCOTT WALTERS
FL PE # 62354

WALTERS ENGINEERING
(COA# 27194)
15211 97TH ROAD N
WEST PALM BEACH, FL 33412
(561) 225-1982

1ST COAST METAL ROOFING SUPPLY

PH: (561) 629-7288
www.1stcoastmrs.com

186 STATE ROAD 207
EAST PALATKA, FL 32131

DWG: 1CSNS19-HZ
SHEET: 1/1