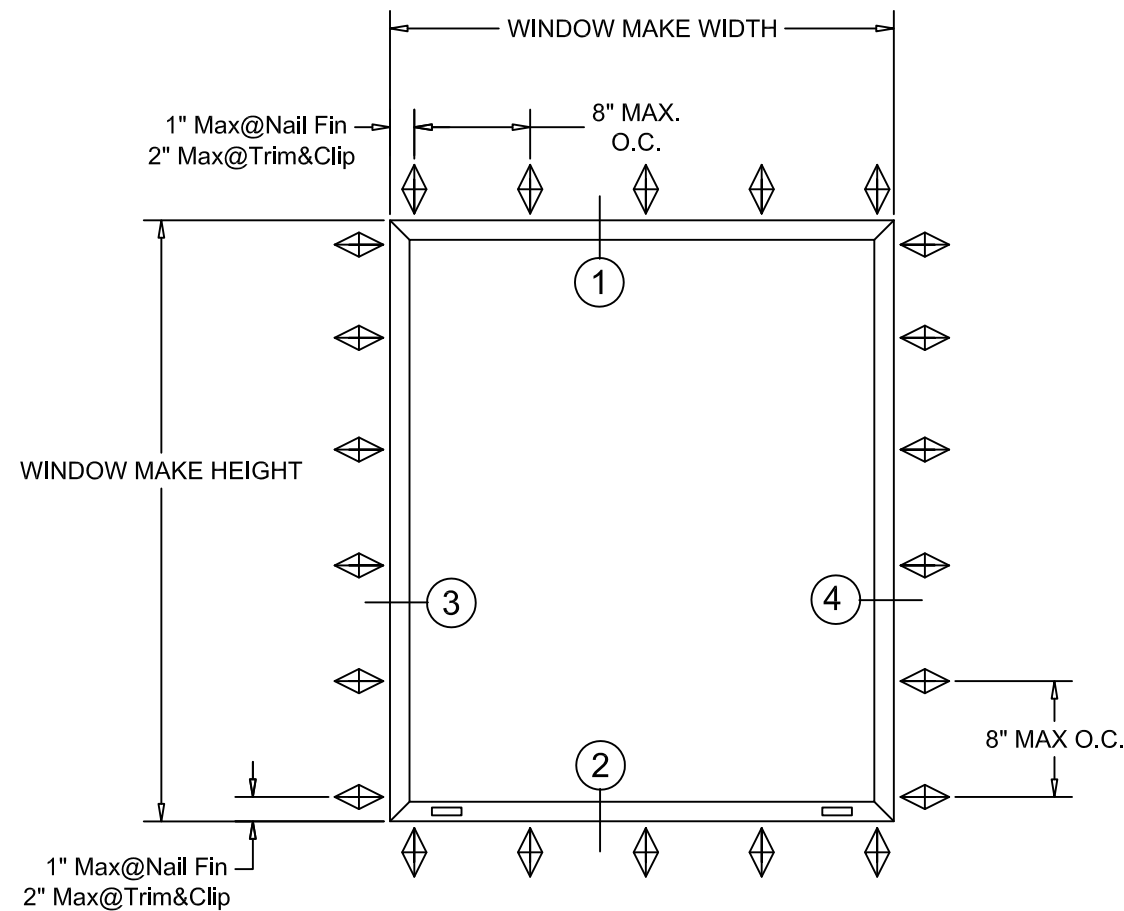


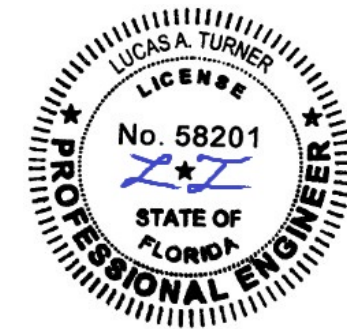
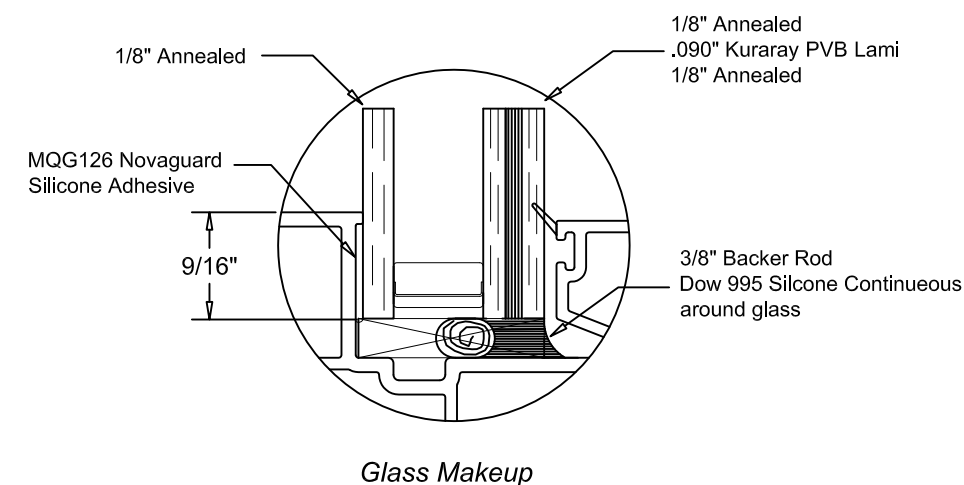
NOTE: V700 FIXED VINYL IMPACT WINDOW NARROW FRAME - INSTALLATION

Notes:

1. Installations depicted satisfy the requirements of the 8th Edition (2023) of the Florida Building Code for Wind Pressures and Overall Sizes shown.
2. As Tested Anchor spacings are shown on the Elevations.
3. Wood Framing are assumed to Southern Pine (G=0.55) or denser.
4. Metal stud frames are assumed to be a minimum 16 gauge 33 KSI Steel.
5. Concrete masonry (CMU) shall conform to ASTM C90.
6. Concrete shall be minimum $f_c = 3,000$ psi.
7. Wood Screws shall meet requirements of ANSI/ASME B18.6.1.
8. TEKS screws shall be ASTM A510 Grade 1018 or equivalent.
9. Hilti Kwik-Con II+ anchors as specified in NOA 21-0628.20
10. Maximum Frame Shim Space is $\frac{1}{4}$ " as shown. Shims shall be non-compressible load bearing type.
11. Exterior and Interior shall be sealed according to Shop Drawings.
12. Products shown are Impact Resistant. Wind Zone 4 - Missile Level D
13. Not for use in High Velocity Hurricane Zone (HVHZ).
14. Sealing and flashing strategies and overall water infiltration performance of the installed product are by others and not addressed by this document.



Maximum				
FW	FH	DLO-W	DLO-H	Pressure
48"	60"	43 7/8"	55 7/8"	± 50 PSF



7/27/2023
 LUCAS TURNER
 FL PE 58201
 TURNER ENGINEERING &
 CONSULTING, INC.
 2428 OLD NATCHEZ TRACE TRL.
 CAMDEN, TN, 38320
 PH 941-380-1574

- Contents:
- Sheet 1 of 4 - Elevations
 - Sheet 2 of 4 - Nail Fin install
 - Sheet 3 of 4 - Trim & Clip
 - Sheet 4 of 4 - Alternate Substrates

Drawing:

GENERAL NOTES

QUAKER WINDOW PRODUCTS
 WILL NOT BE RESPONSIBLE
 FOR FIELD MEASUREMENT,
 QUANTITIES, & INSTALLATION
 DESIGN. CONTRACTOR MUST
 VERIFY ALL DIMENSIONS.

Description:

PHONE (573)-744-5211
 FAX (573)-744-5586
 COMMERCIAL
 www.quakerwindows.com



Scale: NONE

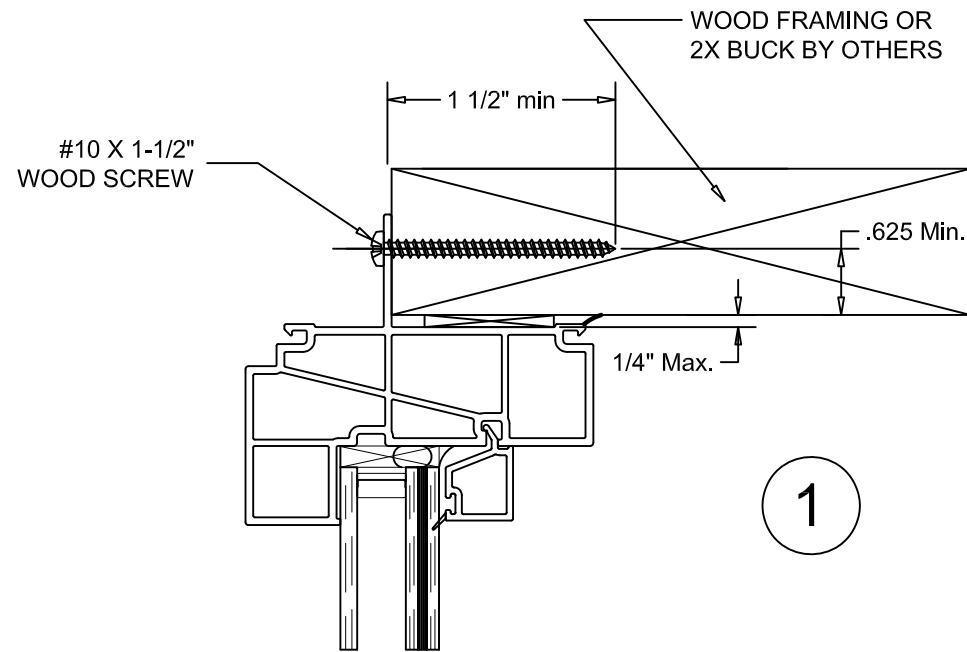
Drawn By: Bud

Sheet #: 1 of 4

Date: 07-10-2023

V700 Impact Narrow Fixed

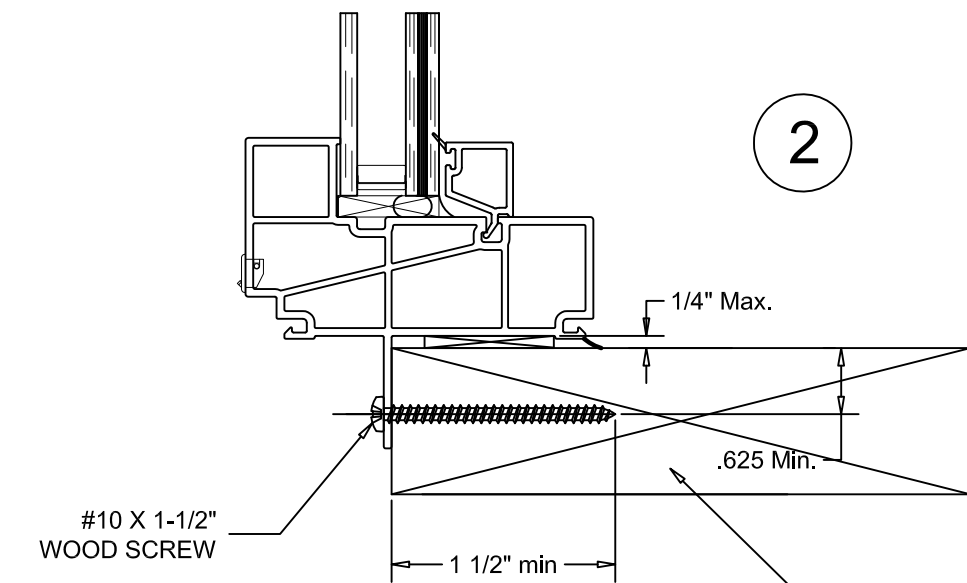
NOTE: V700 FIXED VINYL IMPACT WINDOW NARROW FRAME - NAIL FIN INSTALLATION



EXTERIOR

INTERIOR

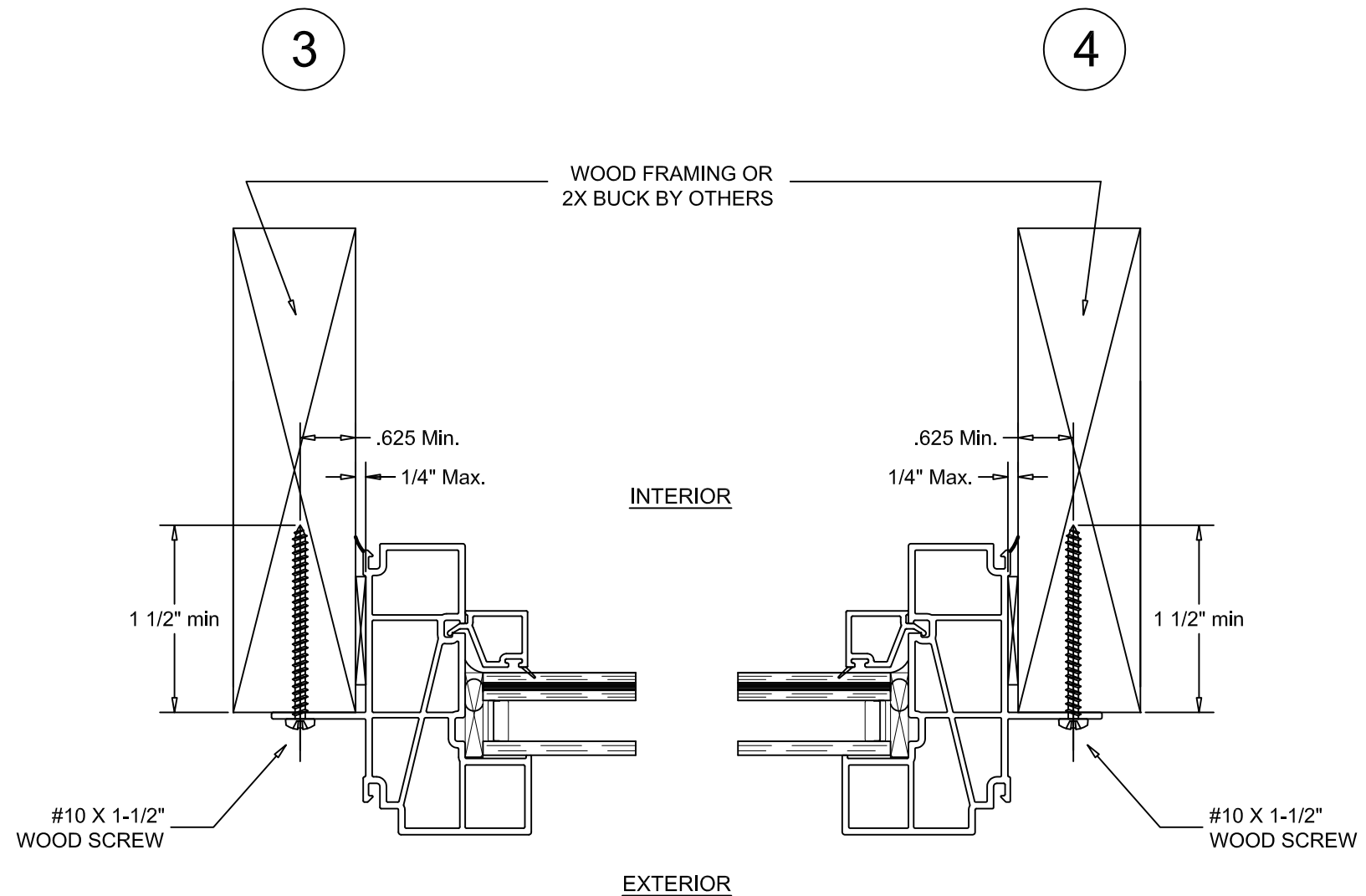
1



#10 X 1-1/2" WOOD SCREW

WOOD FRAMING OR 2X BUCK BY OTHERS

VERTICAL SECTION DETAIL
WOOD FRAMING INSTALLATION



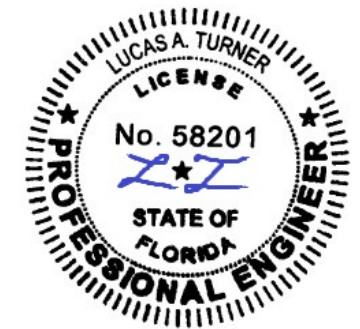
INTERIOR

EXTERIOR

3

4

HORIZONTAL SECTION DETAIL
WOOD FRAMING INSTALLATION



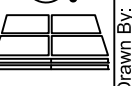
7/27/2023
LUCAS TURNER
FL PE 58201
TURNER ENGINEERING & CONSULTING, INC.
2428 OLD NATCHEZ TRACE TRL.
CAMDEN, TN, 38320
PH 941-380-1574

Drawing:
**V700 Impact Narrow Fixed
NAIL FIN
Installation Instructions**

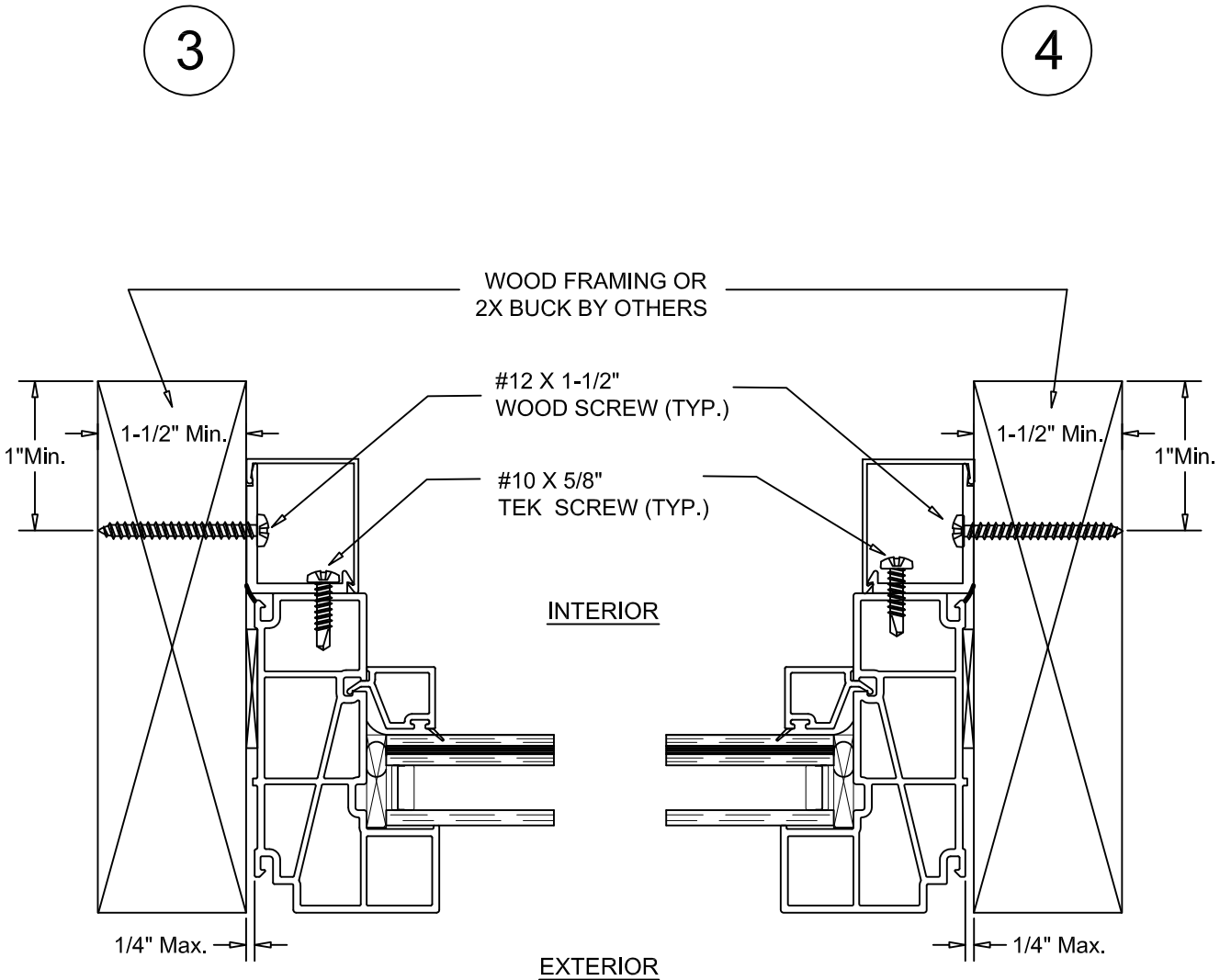
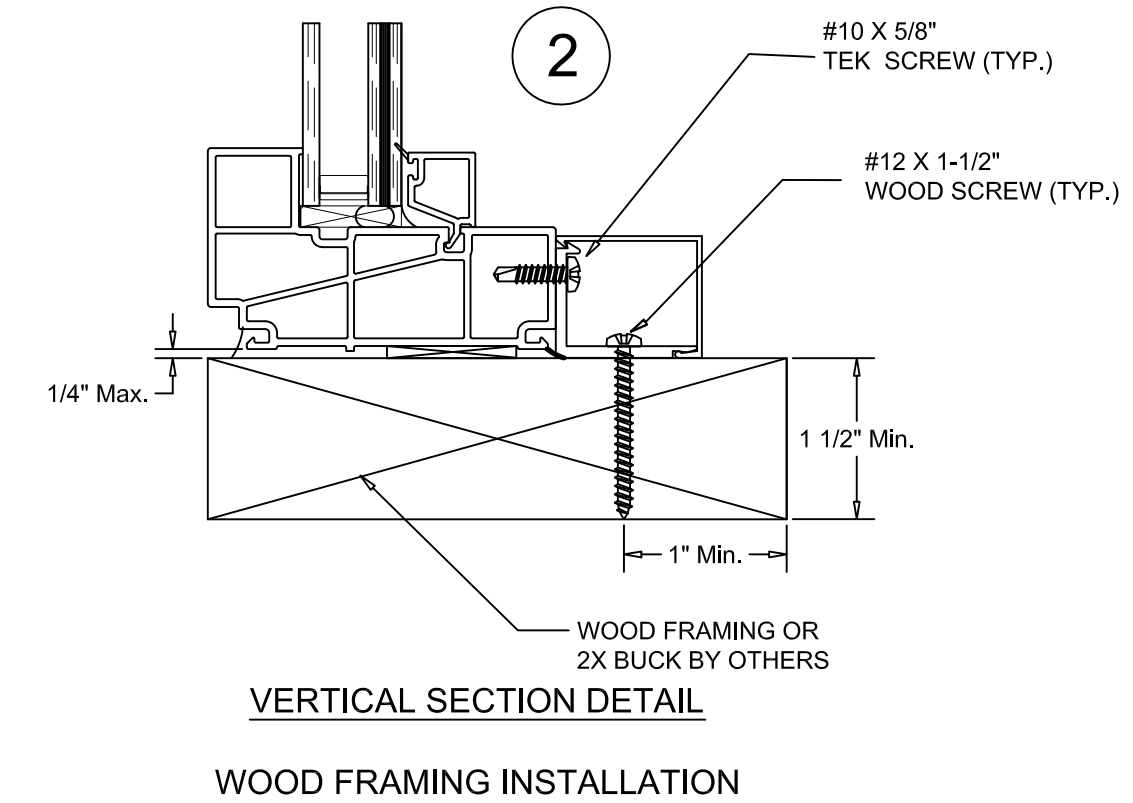
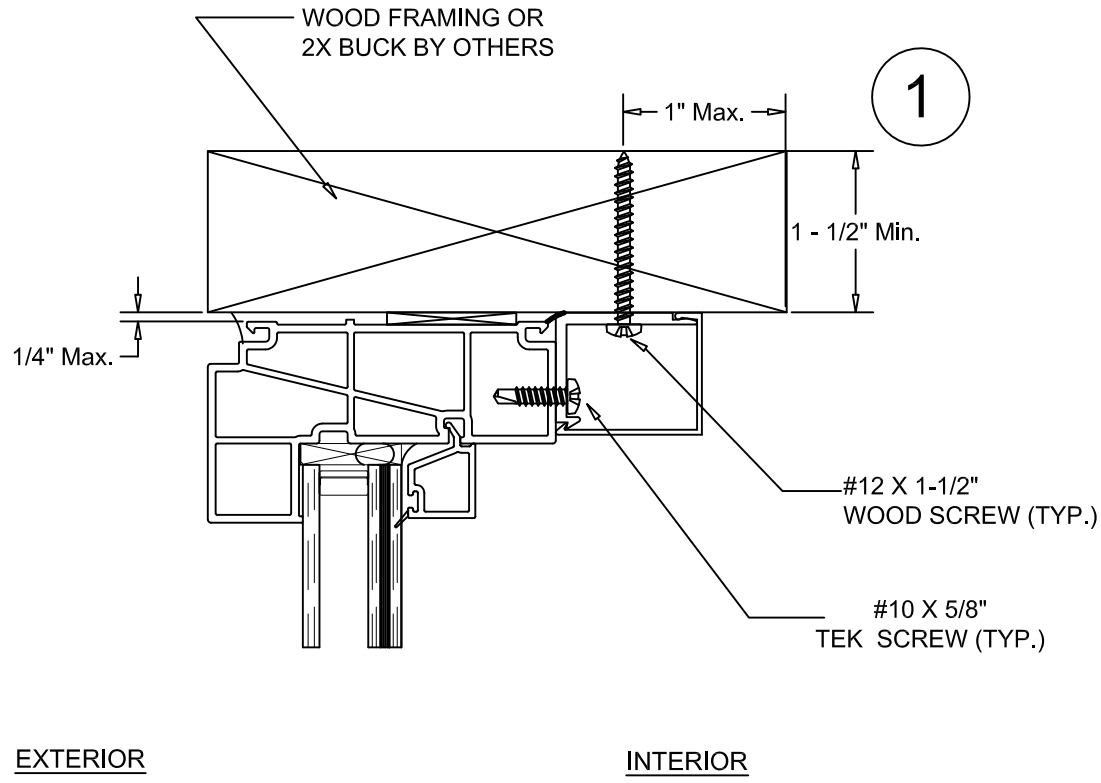
GENERAL NOTES

QUAKER WINDOW PRODUCTS WILL NOT BE RESPONSIBLE FOR FIELD MEASUREMENT QUANTITIES, & INSTALLATION DESIGN. CONTRACTOR MUST VERIFY ALL DIMENSIONS.

PHONE (573)-744-5211 FAX (573)-744-5586 COMMERCIAL FAX (573)-744-5822 www.quakerwindows.com	Scale: NONE	Sheet #: 2 of 4
504 Highway 63 South Freeburg, MO 65035 drafting@quakerwindows.com	Bud	Date: 07-10-2023

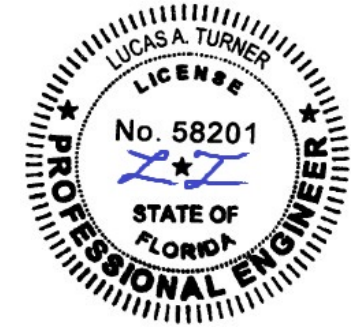


NOTE: V700 FIXED VINYL IMPACT WINDOW NARROW FRAME - TRIM & CLIP INSTALLATION



HORIZONTAL SECTION DETAIL
WOOD FRAMING INSTALLATION

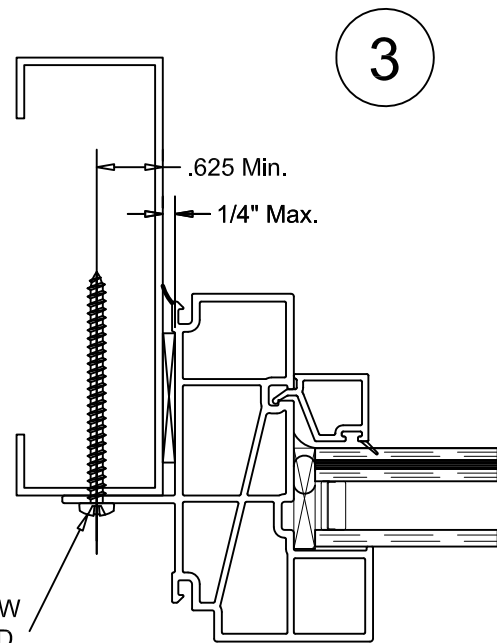
VERTICAL SECTION DETAIL
WOOD FRAMING INSTALLATION



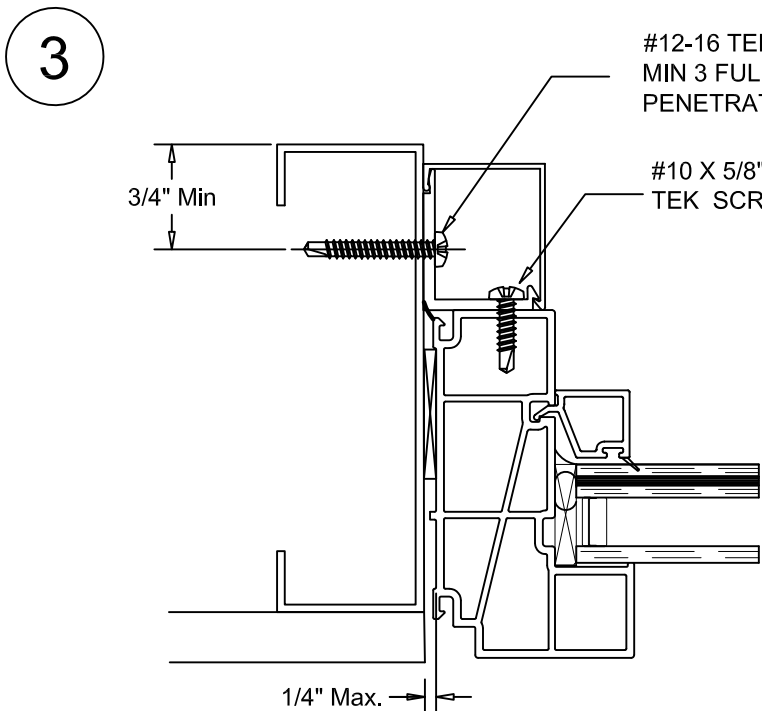
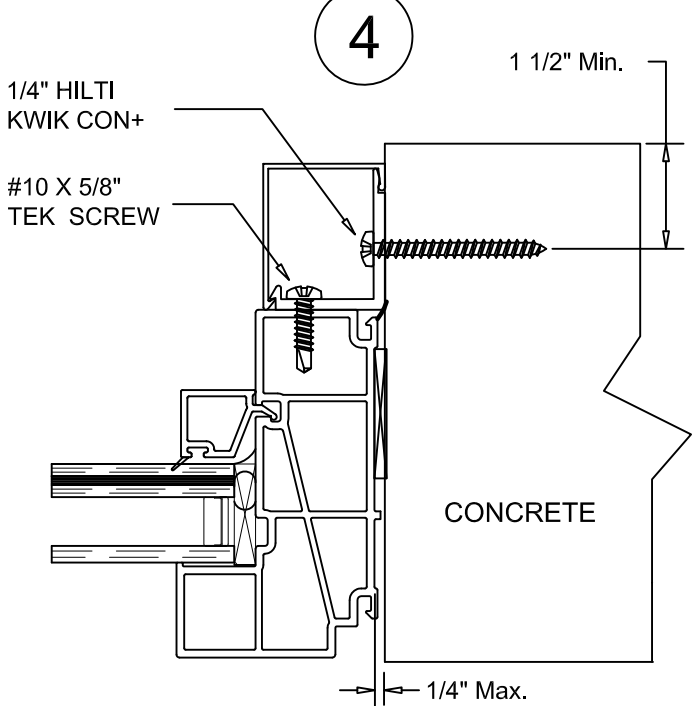
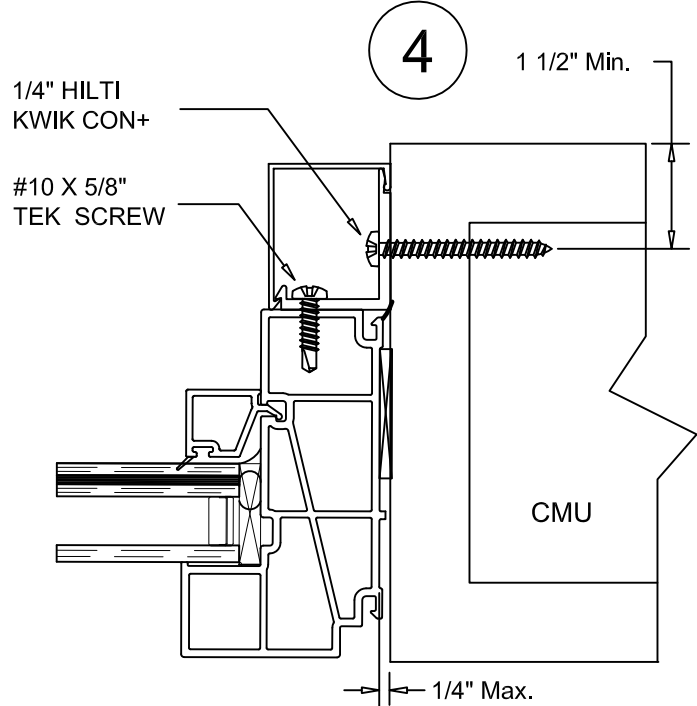
7/27/2023
LUCAS TURNER
FL PE 58201
TURNER ENGINEERING &
CONSULTING, INC.
2428 OLD NATCHEZ TRACE TRL.
CAMDEN, TN, 38320
PH 941-380-1574

Drawing: V700 Impact Narrow Fixed TRIM & CLIP Installation Instructions	
GENERAL NOTES QUAKER WINDOW PRODUCTS WILL NOT BE RESPONSIBLE FOR FIELD MEASUREMENT, QUANTITIES, & INSTALLATION DESIGN. CONTRACTOR MUST VERIFY ALL DIMENSIONS.	
PHONE (573)-744-5211 FAX (573)-744-5586 COMMERCIAL www.quakerwindows.com	Scale: NONE Sheet #: 3 of 4
Drawn By: Bud Date: 07-10-2023	504 Highway 63 South Freeburg, MO 65035 drafting@quakerwindows.com

NOTE: V700 FIXED VINYL IMPACT WINDOW NARROW FRAME - ALTERNATE SUBSTRATES

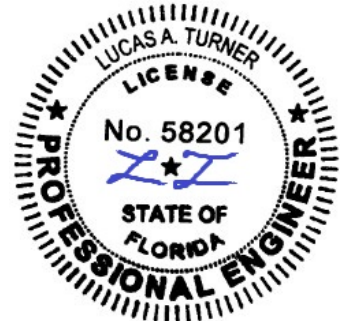
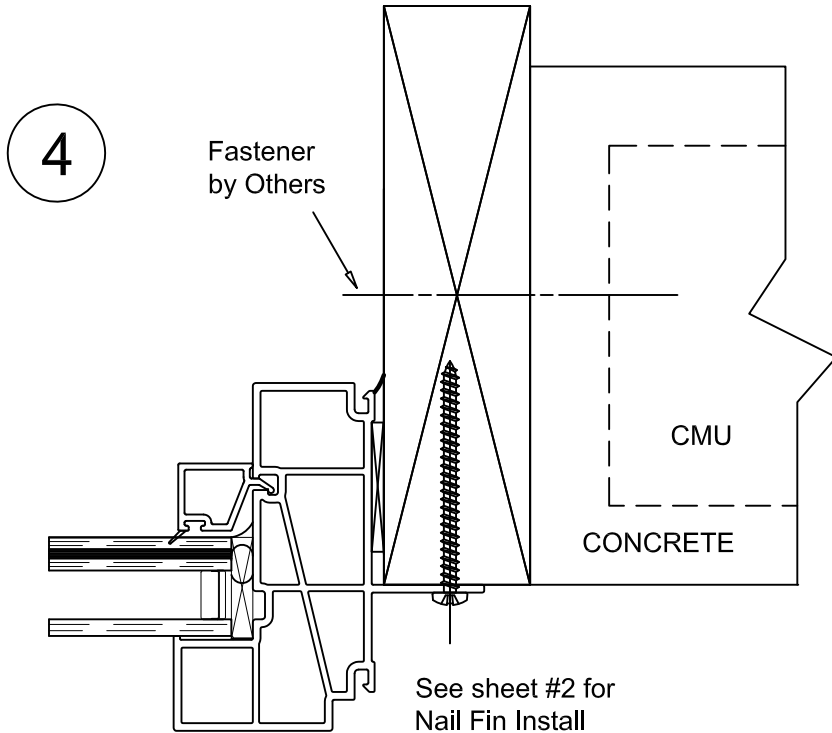


#10-16 TEKS SCREW
MIN 3 FULL THREAD
PENETRATION OF STEEL



#12-16 TEKS SCREW
MIN 3 FULL THREAD
PENETRATION OF STEEL

#10 X 5/8"
TEK SCREW



7/27/2023
LUCAS TURNER
FL PE 58201
TURNER ENGINEERING &
CONSULTING, INC.
2428 OLD NATCHEZ TRACE TRL.
CAMDEN, TN, 38320
PH 941-380-1574

**V700 Impact Narrow Fixed
ALT. SUBSTRATES
Installation Instructions**

GENERAL NOTES

QUAKER WINDOW PRODUCTS
WILL NOT BE RESPONSIBLE
FOR FIELD MEASUREMENT
QUANTITIES, & INSTALLATION
DESIGN. CONTRACTOR MUST
VERIFY ALL DIMENSIONS.

PHONE (573)-744-5211
FAX (573)-744-5586
COMMERCIAL
www.quakerwindows.com

Scale: NONE
Sheet #: 4 of 4
Drawn By: Bud
Date: 07-10-2023

