



**EVALUATION REPORT**

**FLORIDA BUILDING CODE, 8<sup>TH</sup> EDITION (2023)**

**Manufacturer:** TRI COUNTY METALS  
 301 SE 16<sup>th</sup> Street  
 Trenton, FL 32693  
 (877) 766-3309  
[www.tricountymetals.com](http://www.tricountymetals.com)

*Issued June 24, 2024*

**Manufacturing Locations:** Trenton, FL

**Quality Assurance:** PRI Construction Materials Technologies (QUA9110)

**SCOPE**

**Category:** Roofing  
**Subcategory:** Metal Roofing  
**Code Edition:** Florida Building Code, 8<sup>th</sup> Edition (2023)  
**Code Sections:** 1504.3, 1504.3.2  
**Properties:** Wind Resistance

**REFERENCES**

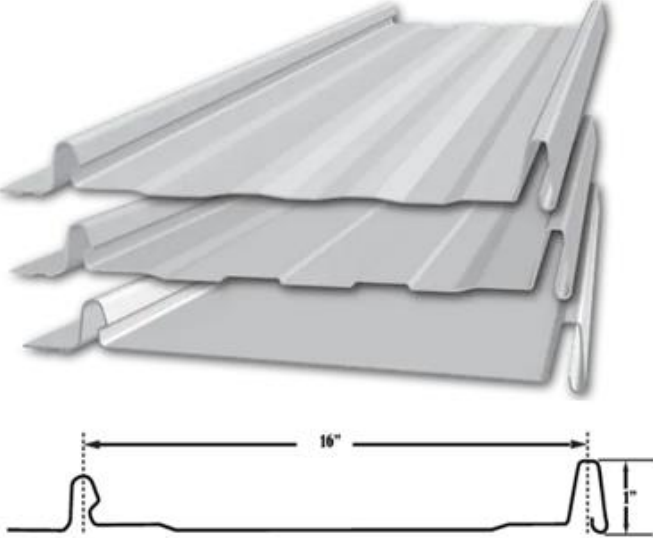
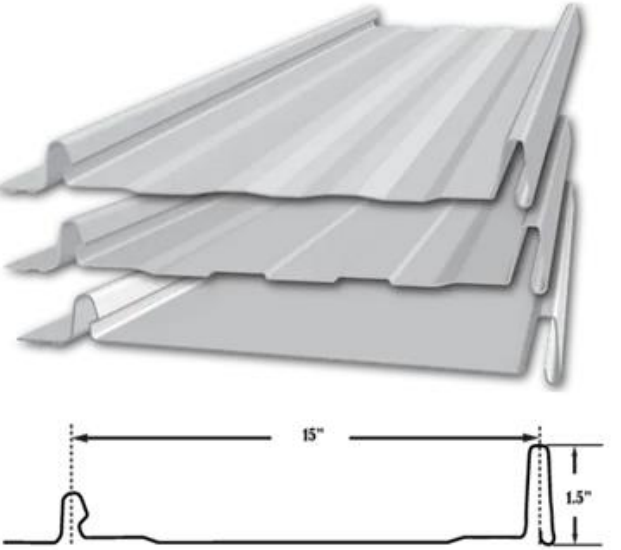
<u>Entity</u>	<u>Report No.</u>	<u>Standard</u>	<u>Year</u>
Force Engineering & Testing, Inc. (TST5328)	136-0027T-12A,B	TAS 125	2003
		UL 580	2006
		UL 1897	2015
Force Engineering & Testing, Inc. (TST5328)	136-0027T-12C	FM 4471	1992
Force Engineering & Testing, Inc. (TST5328)	136-0044T-14A,B	TAS 125	2003
		UL 580	2006
		UL 1897	2015
Force Engineering & Testing, Inc. (TST5328)	136-0084T-14A,B	TAS 125	2003
		UL 580	2006
		UL 1897	2015
Force Engineering & Testing, Inc. (TST5328)	136-0087T-13	TAS 125	2003
		UL 580	2006
		UL 1897	2015
Force Engineering & Testing, Inc. (TST5328)	136-0099T-14A,B	TAS 125	2003
		UL 580	2006
		UL 1897	2015
Force Engineering & Testing, Inc. (TST5328)	136-0172T-12A,B	TAS 125	2003
		UL 580	2006
		UL 1897	2015
Force Engineering & Testing, Inc. (TST5328)	136-0172T-12C,D	TAS 125	2003
		UL 580	2006
		UL 1897	2015
Force Engineering & Testing, Inc. (TST5328)	136-0172T-12E	FM 4471	1992
Force Engineering & Testing, Inc. (TST5328)	136-0173T-12A,B	TAS 125	2003
		UL 580	2006
		UL 1897	2015
Force Engineering & Testing, Inc. (TST5328)	136-0173T-12C,D	TAS 125	2003
		UL 580	2006
		UL 1897	2015
Force Engineering & Testing, Inc. (TST5328)	136-0299T-13	TAS 125	2003
		UL 580	2006
		UL 1897	2015

<u>Entity</u>	<u>Report No.</u>	<u>Standard</u>	<u>Year</u>
Force Engineering & Testing, Inc. (TST5328)	136-0408T-09A,B	TAS 125	2003
		UL 580	2006
		UL 1897	2015
Force Engineering & Testing, Inc. (TST5328)	136-0408T-09C	FM 4471	1992
PRI Construction Materials Technologies (TST5878)	945T0002	ASTM B 117	2016
PRI Construction Materials Technologies (TST5878)	945T0004	ASTM G 155	2013
PRI Construction Materials Technologies (TST5878)	1272T0002	ASTM B 117	2016
PRI Construction Materials Technologies (TST5878)	1272T0003	TAS 110	2000
		ASTM B 117	2016
PRI Construction Materials Technologies (TST5878)	1272T0005	TAS 110	2000
		ASTM G 155	2013
PRI Construction Materials Technologies (TST5878)	1272T0006	TAS 110	2000
		ASTM G 155	2013
PRI Construction Materials Technologies (TST5878)	1930T0001	TAS 110	2000
		TAS 125	2003
		UL 580	2006
PRI Construction Materials Technologies (TST5878)	1930T0002	UL 1897	2015
		TAS 125	2003
PRI Construction Materials Technologies (TST5878)	1930T0003	UL 580	2006
		UL 1897	2015
		TAS 125	2003
PRI Construction Materials Technologies (TST5878)	1930T0004	UL 580	2006
		UL 1897	2015
		TAS 125	2003
PRI Construction Materials Technologies (TST5878)	1930T0009	UL 580	2006
		UL 1897	2015
		TAS 125	2003
PRI Construction Materials Technologies (TST5878)	1930T0010	ASTM B 117	2016
PRI Construction Materials Technologies (TST5878)	1930T0011	TAS 110	2000
		ASTM G 155	2013
PRI Construction Materials Technologies (TST5878)	1930T0013	TAS 110	2000
		TAS 125	2003
PRI Construction Materials Technologies (TST5878)	1930T0015	UL 580	2006
		UL 1897	2015
		UL 580	2006
PRI Construction Materials Technologies (TST5878)	1930T0016	UL 1897	2015
		TAS 125	2003
PRI Construction Materials Technologies (TST5878)	1930T0017	UL 580	2006
		UL 1897	2015
		TAS 125	2003
PRI Construction Materials Technologies (TST5878)	1930T0018	ASTM E 1592	2005(2017)
PRI Construction Materials Technologies (TST5878)	1930T0019	TAS 125	2003
		UL 580	2006
		UL 1897	2015
PRI Construction Materials Technologies (TST5878)	1930T0020	UL 580	2006
		UL 1897	2015
PRI Construction Materials Technologies (TST5878)	1930T0026	TAS 125	2003
		UL 580	2006
		UL 1897	2015
PRI Construction Materials Technologies (TST5878)	1930T0027	TAS 125	2003
		UL 580	2006
		UL 1897	2015
PRI Construction Materials Technologies (TST5878)	1930T0028	ASTM C 794	2001
PRI Construction Materials Technologies (TST5878)	1930T0029	TAS 125	2003
		UL 580	2006
		UL 1897	2015
PRI Construction Materials Technologies (TST5878)	1930T0031	TAS 125	2003
		UL 580	2006
		UL 1897	2015
PRI Construction Materials Technologies (TST5878)	1930T0032	TAS 125	2003
		UL 580	2006
		UL 1897	2015


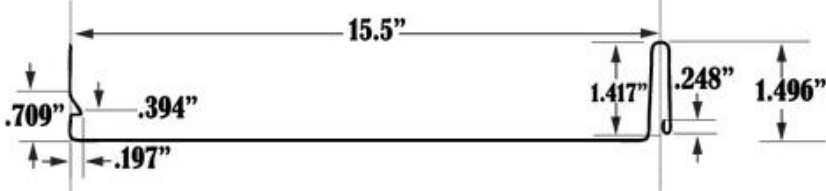

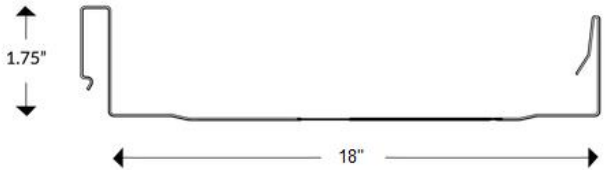


<u>Entity</u>	<u>Report No.</u>	<u>Standard</u>	<u>Year</u>
PRI Construction Materials Technologies (TST5878)	1930T0034.1	TAS 125	2003
		UL 580	2006
		UL 1897	2015
PRI Construction Materials Technologies (TST5878)	1930T0035	UL 580	2006
		UL 1897	2015
PRI Construction Materials Technologies (TST5878)	1930T0036.1	TAS 125	2003
		UL 580	2006
		UL 1897	2015
PRI Construction Materials Technologies (TST5878)	1930T0037.1	TAS 125	2003
		UL 580	2006
		UL 1897	2015
PRI Construction Materials Technologies (TST5878)	1930T0038	TAS 125	2003
		UL 580	2006
		UL 1897	2015
PRI Construction Materials Technologies (TST5878)	1930T0039.2	TAS 125	2003
		UL 580	2006
		UL 1897	2015
PRI Construction Materials Technologies (TST5878)	1930T0040	TAS 125	2003
		UL 580	2006
		UL 1897	2015
PRI Construction Materials Technologies (TST5878)	1930T0042	FM 4471	1992
PRI Construction Materials Technologies (TST5878)	1930T0045	UL 580	2006
		UL 1897	2015
		TAS 125	2003
PRI Construction Materials Technologies (TST5878)	1930T0046	UL 580	2006
		UL 1897	2015
		UL 580	2006
PRI Construction Materials Technologies (TST5878)	1930T0048	UL 1897	2015
		UL 580	2006
		UL 1897	2015


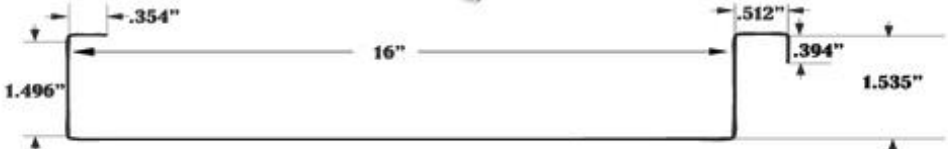

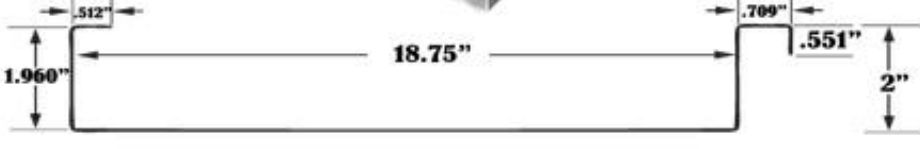
**PRODUCT DESCRIPTION**

TCM-LOK 1 in.	<b>Profile:</b>	1 in. snap lock seam; Max.16 in. coverage
	<b>Description:</b>	Non-structural, snap lock standing seam roof panel with 7/8 in. slotted nail strip
	<b>Material:</b>	Min. 26 ga. (F <sub>y</sub> = min. 50 ksi) ASTM A653 G90, ASTM A792 AZ50 steel coated with Fluropon® or WeatherXL or ASTM A792 AZ55 steel; or Min. 0.032in. (F <sub>y</sub> = min. 25 ksi) ASTM B209, 3105 H22 aluminum coated with Fluropon®; Shall conform with FBC Section 1507.4.3
		
TCM-LOK 1.5 in.	<b>Profile:</b>	1.5 in. snap lock seam; Max. 15 in. coverage
	<b>Description:</b>	Non-structural, snap lock standing seam roof panel with 7/8 in. slotted nail strip
	<b>Material:</b>	Min. 24 ga. (F <sub>y</sub> = min. 50 ksi) ASTM A653 G90, ASTM A792 AZ50 steel coated with Fluropon® or WeatherXL or ASTM A792 AZ55 steel; Shall conform with FBC Section 1507.4.3
		


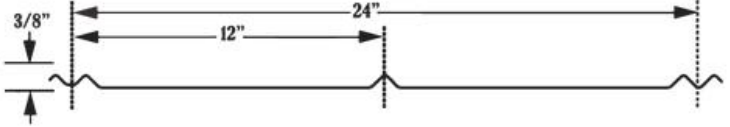

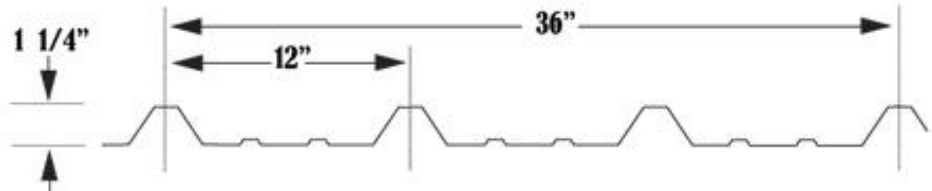


1.5 SL-LOK	<b>Profile:</b>	1.5 in. snap lock seam; Max. 15.5 in. coverage
	<b>Description:</b>	Non-structural, snap lock standing seam roof panel
	<b>Material:</b>	Min. 24 ga. ( $F_y = \text{min. } 50 \text{ ksi}$ ) ASTM A653 G90, ASTM A792 AZ50 steel coated with Fluropon® or WeatherXL or ASTM A792 AZ55 steel; or Min. 0.032 in. ( $F_y = \text{min. } 25 \text{ ksi}$ ) ASTM B209, 3105 H24 aluminum coated with Fluropon®; Shall conform with FBC Section 1507.4.3
 		
1.75 SS-LOK	<b>Profile:</b>	1.75 in. snap lock standing seam; Max. 18 in. coverage
	<b>Description:</b>	Non-structural, snap lock standing seam roof panel
	<b>Material:</b>	Min. 24 ga. ( $F_y = \text{min. } 50 \text{ ksi}$ ) ASTM A653 G90, ASTM A792 AZ50 steel coated with Fluropon® or WeatherXL or ASTM A792 AZ55 steel; or Min. 0.040 in. ( $F_y = \text{min. } 25 \text{ ksi}$ ) ASTM B209, 3104 H22 aluminum coated with Fluropon®; Shall conform with FBC Section 1507.4.3
 		



1.5 MS-LOK	<b>Profile:</b>	1.5 in. mechanical seam; Max. 16 in. coverage
	<b>Description:</b>	Non-structural, standing seam roof panel; 180° double lock mechanical seam
	<b>Material:</b>	Min. 24 ga. ( $F_y = \text{min. } 50 \text{ ksi}$ ) ASTM A653 G90, ASTM A792 AZ50 steel coated with Fluropon® or WeatherXL or ASTM A792 AZ55 steel; Shall conform with FBC Section 1507.4.3
 		
2 MS-LOK	<b>Profile:</b>	2 in. mechanical seam; Max. 18.75 in. coverage
	<b>Description:</b>	Non-structural, standing seam roof panel; 180° double lock mechanical seam
	<b>Material:</b>	Min. 24 ga. ( $F_y = \text{min. } 50 \text{ ksi}$ ) ASTM A653 G90, ASTM A792 AZ50 steel coated with Fluropon® or WeatherXL or ASTM A792 AZ55 steel; Shall conform with FBC Section 1507.4.3
 		



5V	<b>Profile:</b>	3/8 in. ribs at 12 in. o.c.; 24 in. coverage
	<b>Description:</b>	Non-structural, through fastened roof panel
	<b>Material:</b>	Min. 26 ga. ( $F_y = \text{min. } 50 \text{ ksi}$ ) ASTM A653 G90, ASTM A792 AZ50 steel coated with Fluropon® or WeatherXL or ASTM A792 AZ55 steel; or Min. 0.032 in. ( $F_y = \text{min. } 27 \text{ ksi}$ ) ASTM B209, 3105 H22 aluminum coated with Fluropon®; Shall conform with FBC Section 1507.4.3
	 	
PBR	<b>Profile:</b>	1-1/4 in. ribs at 12 in. o.c.; 36 in. coverage
	<b>Description:</b>	Non-structural, through fastened roof panel
	<b>Material:</b>	Min. 26 ga. ( $F_y = \text{min. } 80 \text{ ksi}$ ) ASTM A653 G90, ASTM A792 AZ50 steel coated with Fluropon® or WeatherXL or ASTM A792 AZ55 steel; Shall conform with FBC Section 1507.4.3
	 	

Ultra Rib	<b>Profile:</b>	3/4 in. ribs at 9 in. o.c.; 36 in. coverage
	<b>Description:</b>	Non-structural, through fastened roof panel
	<b>Material:</b>	Min. 29 ga. ( $F_y = \text{min. } 80 \text{ ksi}$ ) or Min. 26 ga. ( $F_y = \text{min. } 50 \text{ ksi}$ ) ASTM A653 G90, ASTM A792 AZ50 steel coated with Fluoropon® or WeatherXL or ASTM A792 AZ55 steel; Shall conform with FBC Section 1507.4.3



## LIMITATIONS

---

1. This report is not for use in the HVHZ.
2. Fire classification is not within the scope of this evaluation.
3. The roof deck, wood battens and their attachment shall be designed by others to meet the minimum design loads established for components and cladding and in accordance with FBC requirements.
4. Roof slope shall be in accordance with FBC Section 1507.4.2
5. Reroofing shall be in accordance with Section 1511.
6. Installation of the evaluated products shall comply with this report, the FBC, and the manufacturer's published application instructions. Where discrepancies exist between these sources, the more restrictive and FBC compliant installation detail shall prevail.
7. All products listed in this report shall be manufactured under a quality assurance program in compliance with Rule 61G20-3.

## COMPLIANCE STATEMENT

---

This report has been prepared in accordance with F.A.C. Rule 61G20-3.



**This item has been digitally signed and sealed by Zachary R. Priest, PE, on 6/24/2024.**

**Printed copies of this document are not considered signed and sealed and the signature must be verified on any electronic copies.**

Zachary R. Priest, P.E.  
Florida Registration No. 74021  
Organization No. ANE9641

## CERTIFICATION OF INDEPENDENCE

---

CREEK Technical Services, LLC does not have, nor will it acquire, a financial interest in any company manufacturing or distributing products under this evaluation.

CREEK Technical Services, LLC is not owned, operated, or controlled by any company manufacturing or distributing products under this evaluation.

Zachary R. Priest, P.E. does not have, nor will acquire, a financial interest in any company manufacturing or distributing products under this evaluation.

Zachary R. Priest, P.E. does not have, nor will acquire, a financial interest in any other entity involved in the approval process of the product.

## APPENDICES

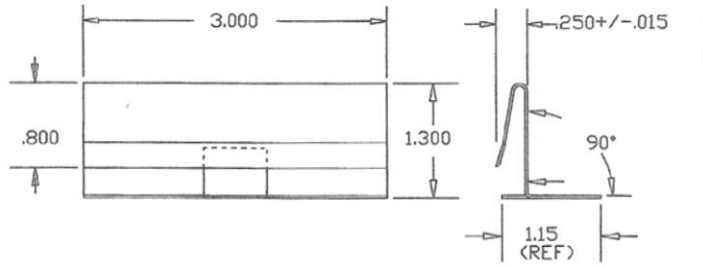
---

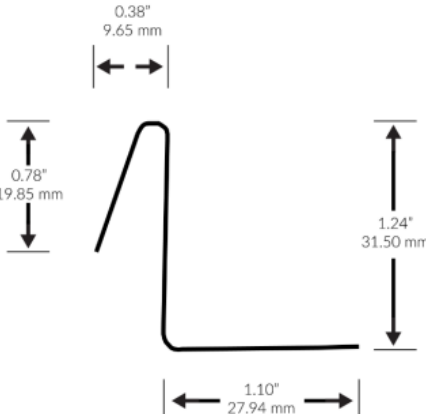
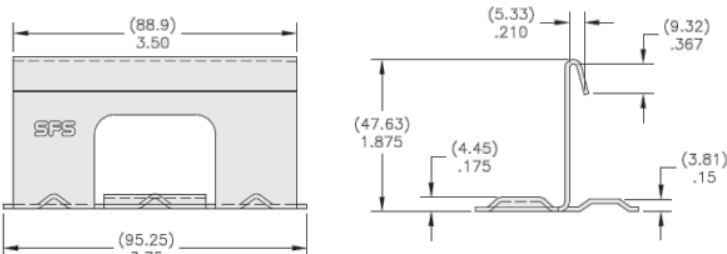
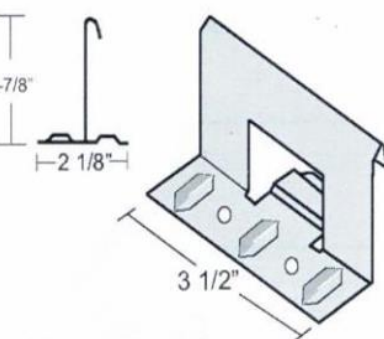
- 1) APPENDIX A – Installation (5 pages)
- 2) APPENDIX B – Approved Roof Systems (11 pages)
- 3) APPENDIX C – Design Wind Loads (4 pages)

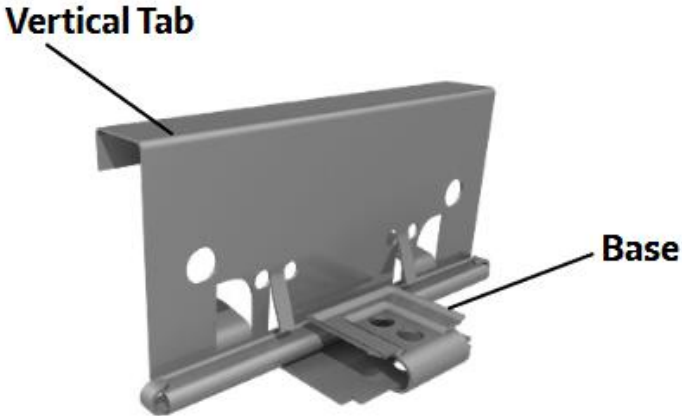
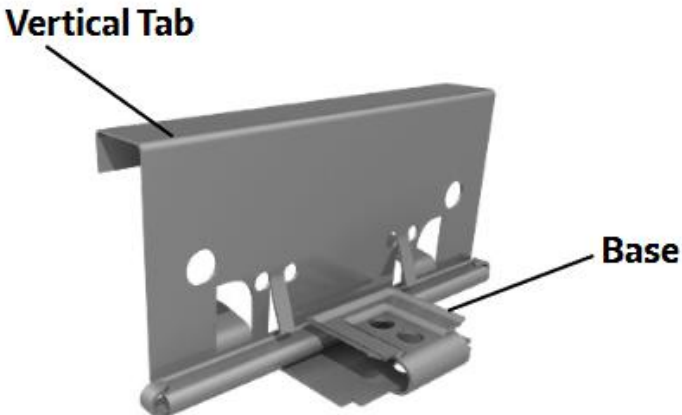
**INSTALLATION**

Note - Refer to the [APPROVED ROOF SYSTEMS](#) section of this report for specific installation details of a selected system.

Unless otherwise specified in this report the following installation details shall be met for the named products:

Component	Product	Installation Detail
Fasteners	#10-12 Pancake Type A screw	Shall penetrate through the sheathing a minimum 3/8 in. Shall be corrosion resistant in accordance with FBC section 1507.4.4.
	#10-9 PanclipSS MTW low profile head wood screw	
	#10-9 Panclip MTW low profile head wood screw	
	#9-15 Woodgrip HWH wood screw with sealing washer	
	#9-15 Evergrip HWH wood screw with sealing washer	
	#12-8 XG, Pancake head wood screw	
	#12-8 Woodgrip XG HWH wood screw with sealing washer	
	#14-13 PANCLIP SD-L low profile head self-drilling screw	
Bearing Plate	Universal Bearing Plate	4" x 5", 20ga. galvanized steel bearing plate from Direct Metals, Inc.
Clips	1.5 in. DM SL Clip	24 ga. Direct Metals Inc Snaplock HD 450HD Clip, 1-1/4" – 1-1/2" Utility Snaplock Clip, 1.3 in. tall with 3 in. base
		

Component	Product	Installation Detail
	1.5 in. SL Continuous Clip	<p>24 ga. ASTM A792 AZ55 or 0.032" ASTM B209, 3105 H24 Al; 1.24 in. tall with 1.1 in. base, Min. 10 ft. length</p> 
	1.75 in. SFS SL Clip	<p>18 ga. SFS 1-3/4 in. Snap Lock Clip; 1.875 in. tall with 3.75 in. base</p> 
Clips – Cont'd	1.75 in. DM SL Clip	<p>18 ga. Direct Metals Inc 1-3/4 in. Snap Lock Clip; 1-7/8 in. tall with 3-1/2 in. base</p> 

Component	Product	Installation Detail
	1.5 in. ML Clip	<p>1-1/2 in. 1-piece expansion clip; 22 ga. vertical tab; 16 ga. base; 4.5 in. long</p>  <p><b>Vertical Tab</b></p> <p><b>Base</b></p>
Clips – Cont'd	2 in. ML Clip	<p>2 in. 1-piece expansion clip; 22 ga. vertical tab; 16 ga. base; 4.5 in. long</p>  <p><b>Vertical Tab</b></p> <p><b>Base</b></p>
Seam Sealant	<p>TiteBond Weathermaster Metal Roof Sealant</p> <p>Geocel 2300</p> <p>Novaflex Metal Roof Sealant</p>	<p>Shall be applied in 1/4 in.- 5/16 in. continuous beads on the male rib along the seam</p>

Fastening Details	
Nomenclature	Attachment
TCM-LOK	<p>3/8" bead TiteBond WeatherMaster Metal Roof Sealant</p> <p>(1) #10-12 TYPE A PANCAKE</p>
5V Type 1	<p>(1) HWH wood screw w/sealing washer</p> <p>12" 12"</p> <p>At Panel Lap</p>
5V Type 2	<p>12" 12"</p> <p>(1) #9 x 1 1/2" WOODGRIP w/ WASHER</p>
5V Type 3	<p>10" 2 1/2" 10"</p> <p>(1) #9 x 1 1/2" WOODGRIP w/ WASHER</p>
PBR Type 1	<p>7" 5" 7" 5" 7" 5"</p> <p>#14 x 7/8 LAP SCREW @ 24" O.C.</p> <p>WOODGRIP W/ WASHER</p>

Fastening Details	
Nomenclature	Attachment
PBR Type 2	
Ultra Rib 1	
Ultra Rib 2	
Ultra Rib 3	
Ultra Rib 4	

**APPROVED ROOF SYSTEMS**

The following notes shall be observed when using the assembly tables below.

1. Maximum Design Pressure (*MDP*) was calculated using a 2:1 margin of safety per FBC Section 1504.9.
2. Refer to [LIMITATIONS](#) and sections of this evaluation when using the table(s) below.
3. Refer to [INSTALLATION](#) section of this report for installation detail when the information is not explicitly stated for the selected assembly.
4. The on-center (o.c.) spacing given is the maximum allowable attachment spacing for the rated system.
5. Unless otherwise specified, Steel Deck shall be designed by others in accordance with FBC requirements and shall be minimum 22 ga, Wide Rib Deck (Type WR) conforming to ANSI/SDI-RD1.0 & FBC and shall be attached to structural supports spaced maximum 5ft o.c. Panel seams shall be installed perpendicular to the steel deck ribs.
6. Wood Deck shall be designed by others in accordance with FBC requirements. 15/32 CDX plywood shall be minimum 15/32-inch thick, PS 1-19 Grade C-D, Exposure 1, APA Span-Rated plywood sheathing at maximum 24-inch span. 7/16 Oriented Strand Board (OSB) sheathing shall be minimum 7/16-inch thick, PS 2-18, APA Span-Rated, Exposure 1, OSB sheathing at maximum 24-inch span.
7. No. 2 SYP wood battens used over solidly sheathed decks shall be installed parallel to the eave and 90 degrees to the roof trusses/rafters. Wood battens shall be located under each fastener row.
8. Panel fasteners shall be installed through the battens and into the roof deck. Battens shall be secured in place with one (1) min. 0.113 in. x 2-3/8 in. ring shank nail installed max. 12 in. o.c. into the plywood deck.
9. No. 2 SYP wood battens shall be secured in place with one (1) min. 8d x 2-3/8 in. ring shank nail installed max. 4 in. o.c. into the plywood deck or two (2) min. #9 x 3 in. deck screws spaced max. 24 in. o.c. installed through the plywood deck and into the rafters/trusses.
10. No. 2 SYP wood battens shall be secured in place with one (1) min. 8d x 2-1/2 in. ring shank nail installed max. 4 in. o.c. into the plywood deck.
11. No. 2 SYP wood battens shall be secured in place with two (2) min. #9 x 3 in. deck screws spaced max. 24 in. o.c. installed through the plywood deck and into the rafters/trusses.

<b>Roof System Numbers and Definitions</b>	
<a href="#">L1-AI-W-#</a>	Min. 0.032 AI TCM-LOK 1 in. over Wood Deck (New or Existing)
<a href="#">L1-S-W-#</a>	Min. 26ga. steel TCM-LOK 1 in. over Wood Deck (New or Existing)
<a href="#">L1.5-S-W-#</a>	Min. 24ga. steel TCM-LOK 1.5 in. over Wood Deck (New or Existing)
<a href="#">SL-AI-W-#</a>	Min. 0.032 AI 1.5 SL-LOK over Wood Deck (New or Existing)
<a href="#">SL-S-W-#</a>	Min. 24ga. steel 1.5 SL-LOK over Wood Deck (New or Existing)
<a href="#">SS-AI-W-#</a>	Min. 0.040 AI 1.75 SS-LOK over Wood Deck (New or Existing)
<a href="#">SS-S-W-#</a>	Min. 24ga. steel 1.75 SS-LOK over Wood Deck (New or Existing)
<a href="#">SS-S-S-#</a>	Min. 24ga. steel 1.75 SS-LOK over Steel Deck (New or Existing)
<a href="#">1.5MS-W-#</a>	Min. 24ga. steel 1.5 MS-LOK over Wood Deck (New or Existing)
<a href="#">2MS-W-#</a>	Min. 24ga. steel 2 MS-LOK over Wood Deck (New or Existing)
<a href="#">2MS-S-#</a>	Min. 24ga. steel 2 MS-LOK over Steel Deck (New or Existing)
<a href="#">5V-AI-W-#</a>	Min. 0.032 AI 5V over Wood Deck (New or Existing)
<a href="#">5V-S-W-#</a>	Min. 26ga. steel 5V over Wood Deck (New or Existing)
<a href="#">PBR-W-#</a>	Min. 26ga. steel PBR over Wood Deck (New or Existing)
<a href="#">RIB-W-#</a>	Min. 29ga steel Ultra Rib over Wood Deck (New or Existing)

**Approved Systems for Min. 0.032 AI 1 in. TCM-LOK over Wood Deck (New or Existing)**

**APPENDIX B**

System No.	Deck	Fire Barrier	Underlayment	Roof Panel	Panel Attachment	MDP (psf)
L1-AI-W-1	Min. 15/32 CDX plywood	OPTIONAL <i>Approved fire barrier</i>	As required per FBC	Min. 0.032 Al TCM-LOK 1 in. Max. 16 in. coverage	TCM-LOK attachment with #10-12 Pancake Type A screws spaced 5-1/4 in. o.c.; Seam Sealant (see <a href="#">INSTALLATION</a> for list of allowable products) applied to male rib.	<b>-110</b>

**Approved Systems for Min. 26ga. steel TCM-LOK 1 in. over Wood Deck (New or Existing)**

System No.	Deck	Fire Barrier	Underlayment	Roof Panel	Panel Attachment	MDP (psf)
L1-S-W-1	Min. 15/32 B-C plywood with OPTIONAL single layer of asphalt shingles	OPTIONAL <i>Approved fire barrier</i>	As required per FBC	Min. 26ga. steel TCM-LOK 1 in. Max. 16 in. coverage	#10-12 Pancake Type A screws installed 5-1/4 in. o.c. along the fastening strip into the pre-punched slots	<b>-52.5</b>
L1-S-W-2	Min. 7/16 OSB	OPTIONAL <i>Approved fire barrier</i>	As required per FBC	Min. 26ga. steel TCM-LOK 1 in. Max. 16 in. coverage	#12-8 XG screws installed 5-1/4 in. o.c. along the fastening strip into the pre-punched slots	<b>-101</b>
L1-S-W-3	Min. 15/32 B-C plywood with OPTIONAL single layer of asphalt shingles	OPTIONAL <i>Approved fire barrier</i>	As required per FBC	Min. 24ga. steel TCM-LOK 1 in. Max. 16 in. coverage	#10-12 Pancake Type A screws installed 5-1/4 in. o.c. along the fastening strip into the pre-punched slots	<b>-116</b>
L1-S-W-4	Min. 15/32 CDX plywood	OPTIONAL <i>Approved fire barrier</i>	As required per FBC	Min. 26ga. steel TCM-LOK 1 in. Max. 16 in. coverage	#10-12 Pancake Type A screws installed 5-1/4 in. o.c. along the fastening strip into the pre-punched slots	<b>-123.5</b>
L1-S-W-5	Min. 15/32 CDX plywood	OPTIONAL <i>Approved fire barrier</i>	As required per FBC	Min. 24ga. steel TCM-LOK 1 in. Max. 16 in. coverage	TCM-LOK attachment with #10-12 Pancake Type A screws spaced 5-1/4 in. o.c.; Seam Sealant (see <a href="#">INSTALLATION</a> for list of allowable products) applied to male rib.	<b>-142.5</b>



Approved Systems for Min. 24ga. steel TCM-LOK 1.5 in. over Wood Deck (New or Existing)						
System No.	Deck	Fire Barrier	Underlayment	Roof Panel	Panel Attachment	MDP (psf)
L1.5-S-W-1	Min. 15/32 CDX plywood	OPTIONAL <i>Approved fire barrier</i>	As required per FBC	Min. 24ga. steel TCM-LOK 1.5 in. Max. 15 in. coverage	TCM-LOK attachment with #10-12 Pancake Type A screws spaced 5-1/4 in. o.c.; Seam Sealant (see <a href="#">INSTALLATION</a> for list of allowable products) applied to male rib.	-122.5

Approved Systems Min. 0.032 Al 1.5 SL-LOK over Wood Deck (New or Existing)						
System No.	Deck	Fire Barrier	Underlayment	Roof Panel	Panel Attachment	MDP (psf)
SL-AI-W-1	Min. 15/32 CDX plywood	OPTIONAL <i>Approved fire barrier</i>	As required per FBC	Min. 0.032 Al 1.5 SL-LOK Max. 15.5 in. coverage	0.032 Al 1.5 in. SL Continuous Clips installed over male leg and fastened 6 in. o.c. with one (1) #10-9 PanclipSS MTW low profile head wood screw; Female portion of snap-lock is then engaged over the continuous clip	-101
SL-AI-W-2	Min. 15/32 CDX plywood	OPTIONAL <i>Approved fire barrier</i>	As required per FBC	Min. 0.032 Al 1.5 SL-LOK Max. 15.5 in. coverage	0.032 Al 1.5 in. SL Continuous Clips installed over male leg and fastened 6 in. o.c. with one (1) #10-9 PanclipSS MTW low profile head wood screw; 3/8 in. wide, continuous bead of NovaFlex Metal Roof Sealant is applied to backside of continuous clip; Female portion of snap-lock is then engaged over the continuous clip	-108.5

Approved Systems for Min. 24ga. steel 1.5 SL-LOK over Wood Deck (New or Existing)						
System No.	Deck	Fire Barrier	Underlayment	Roof Panel	Panel Attachment	MDP (psf)
SL-S-W-1	Min. 15/32 CDX plywood	OPTIONAL <i>Approved fire barrier</i>	As required per FBC	Min. 24ga. steel 1.5 SL-LOK Max. 15.5 in. coverage	1.5 in. SL Clips spaced 12 in. o.c. at the panel seam secured with two (2) #10-12 Pancake Type A screws per clip	-75
SL-S-W-2	Min. 15/32 CDX plywood	OPTIONAL <i>Approved fire barrier</i>	As required per FBC	Min. 24ga. steel 1.5 SL-LOK Max. 15.5 in. coverage	1.5 in. SL Clips spaced 6 in. o.c. at the panel seam secured with two (2) #10-12 Pancake Type A screws per clip	-90
SL-S-W-3	Min. 15/32 CDX plywood	OPTIONAL <i>Approved fire barrier</i>	As required per FBC	Min. 24ga. steel 1.5 SL-LOK Max. 15.5 in. coverage	24 ga. 1.5 in. SL Continuous Clips installed over male leg and fastened 6 in. o.c. with one (1) #10-12 Pancake Type A screws; Female portion of snap-lock is then engaged over the continuous clip	-146

Approved Systems for Min. 0.040 Al 1.75 SS-LOK over Wood Deck (New or Existing)						
System No.	Deck	Fire Barrier	Underlayment	Roof Panel	Panel Attachment	MDP (psf)
SS-AI-W-1	Min. 15/32 CDX plywood	OPTIONAL <i>Approved</i> fire barrier	As required per FBC	Min. 0.040 Al 1.75 SS-LOK Max. 16 in. coverage	1.75 in. SFS SL Clips spaced 16 in. o.c. at the panel seam secured with two (2) #10-9 PanclipSS MTW low profile head screws per clip	<b>-90</b>
SS-AI-W-2	Min. 15/32 CDX plywood	OPTIONAL <i>Approved</i> fire barrier	As required per FBC	Min. 0.040 Al 1.75 SS-LOK Max. 16 in. coverage	1.75 in. SFS SL Clips spaced 6 in. o.c. at the panel seam secured with two (2) #10-9 PanclipSS MTW low profile head screws per clip	<b>-120</b>

Approved Systems for Min. 24ga. steel 1.75 SS-LOK over Wood Deck (New or Existing)						
System No.	Deck	Fire Barrier	Underlayment	Roof Panel	Panel Attachment	MDP (psf)
SS-S-W-1	Min. 15/32 CDX plywood	OPTIONAL <i>Approved</i> fire barrier	As required per FBC	Min. 24ga. steel 1.75 SS-LOK Max. 18 in. coverage	1.75 in. DM SL Clips spaced 18 in. o.c. at the panel seam secured with two (2) #10-12 Pancake Type A screws per clip	<b>-105</b>

Approved Systems for Min. 24ga. steel 1.75 SS-LOK over Steel Deck (New or Existing)							
System No.	Deck	Fire Barrier	Insulation	Underlayment	Roof Panel	Panel Attachment	MDP (psf)
SS-S-S-1	Min. 22ga. steel deck	OPTIONAL <i>Approved</i> fire barrier	Min. 1-inch <i>Approved</i> insulation board	As required per FBC	Min. 24ga. steel 1.75 SS-LOK Max. 18 in. coverage	1.75 in. DM SL Clips and Universal Bearing Plates spaced 24 in. o.c. at the panel seam secured with two (2) #14 PANCLIP SD-L fasteners per clip	<b>-78.5</b>

**APPENDIX B**

Approved Systems for Min. 24ga. steel 1.5 MS-LOK over Wood Deck (New or Existing)						
System No.	Deck	Fire Barrier	Underlayment	Roof Panel	Panel Attachment	MDP (psf)
1.5MS-W-1	Min. 15/32 CDX plywood	OPTIONAL <i>Approved</i> fire barrier	As required per FBC	Min. 24ga. steel 1.5 MS-LOK Max. 16 in. coverage	1.5 in. ML Clips spaced 16 in. o.c. at the panel seam secured with two (2) #10-9 x min. 1.5 in. Panclip MTW low profile screws per clip; Panels mechanically seamed with 180° double lock	<b>-142.5</b>
1.5MS-W-2	Min. 15/32 CDX plywood	OPTIONAL <i>Approved</i> fire barrier	As required per FBC	Min. 24ga. steel 1.5 MS-LOK Max. 16 in. coverage	1.5 in. ML Clips spaced 6 in. o.c. at the panel seam secured with two (2) #10-9 x min. 1.5 in. Panclip MTW low profile screws per clip; Panels mechanically seamed with 180° double lock	<b>-176</b>

Approved Systems for Min. 24ga. steel 2 MS-LOK over Wood Deck (New or Existing)						
System No.	Deck	Fire Barrier	Underlayment	Roof Panel	Panel Attachment	MDP (psf)
2MS-W-1	Min. 15/32 CDX plywood	OPTIONAL <i>Approved</i> fire barrier	As required per FBC	Min. 24ga. steel 2 MS-LOK Max. 18.75 in. coverage	2 in. ML Clips spaced 16 in. o.c. at the panel seam secured with two (2) #10-9 x min. 1.5 in. Panclip MTW low profile screws per clip; Panels mechanically seamed with 180° double lock	<b>-116.25</b>
2MS-W-2	Min. 15/32 CDX plywood	OPTIONAL <i>Approved</i> fire barrier	As required per FBC	Min. 24ga. steel 2 MS-LOK Max. 18.75 in. coverage	2 in. ML Clips spaced 8 in. o.c. at the panel seam secured with two (2) #10-9 x min. 1.5 in. Panclip MTW low profile screws per clip; Panels mechanically seamed with 180° double lock	<b>-120</b>
2MS-W-3	Min. 15/32 CDX plywood	OPTIONAL <i>Approved</i> fire barrier	As required per FBC	Min. 24ga. steel 2 MS-LOK Max. 18 in. coverage	2 in. ML Clips spaced 6 in. o.c. at the panel seam secured with two (2) #10-9 x min. 1.5 in. Panclip MTW low profile screws per clip; Panels mechanically seamed with 180° double lock	<b>-153.5</b>

**APPENDIX B**

Approved Systems for Min. 24ga. steel 2 MS-LOK over Steel Deck (New or Existing)							
System No.	Deck	Fire Barrier	Insulation	Underlayment	Roof Panel	Panel Attachment	MDP (psf)
2MS-S-1	Min. 22ga. steel deck	OPTIONAL <i>Approved</i> fire barrier	Min. 1-inch <i>Approved</i> insulation board	As required per FBC	Min. 24ga. steel 2 MS-LOK Max. 18 in. coverage	2 in. ML Clips and Universal Bearing Plates spaced 24 in. o.c. at the panel seam secured with two (2) #14 PANCLIP SD-L fasteners per clip; Panels mechanically seamed with 180° double lock	<b>-112.25</b>
2MS-S-2	Min. 22ga. steel deck	OPTIONAL <i>Approved</i> fire barrier	Min. 1-inch <i>Approved</i> insulation board	As required per FBC	Min. 24ga. steel 2 MS-LOK Max. 18 in. coverage	2 in. ML Clips and Universal Bearing Plates spaced 6 in. o.c. at the panel seam secured with two (2) #14 PANCLIP SD-L fasteners per clip; Panels mechanically seamed with 180° double lock	<b>-168.5</b>

Approved Systems for Min. 0.032 Al 5V Crimp over Wood Deck (New or Existing)							
System No.	Deck	Battens <a href="#">(Note 7)</a>	Fire Barrier	Underlayment	Roof Panel	Panel Attachment	MDP (psf)
5V-AI-W-1	Min. 15/32 CDX plywood	-	OPTIONAL <i>Approved</i> fire barrier	As required per FBC	Min. 0.032 Al 5V Crimp Max. 24 in. coverage	5V <i>Type 1</i> attachment with #9-15 Evergrip screws with sealing washers spaced 9 in. o.c.	<b>-127.5</b>
5V-AI-W-2	Min. 15/32 CDX plywood	-	OPTIONAL <i>Approved</i> fire barrier	As required per FBC	Min. 0.032 Al 5V Crimp Max. 24 in. coverage	5V <i>Type 1</i> attachment with #9-15 Evergrip screws with sealing washers spaced 6 in. o.c.	<b>-150</b>

Approved Systems for Min. 26ga. steel 5V Crimp over Wood Deck (New or Existing)							
System No.	Deck	Battens (Note 7)	Fire Barrier	Underlayment	Roof Panel	Panel Attachment	MDP (psf)
5V-S-W-1	Min. 15/32 CDX plywood	-	OPTIONAL <i>Approved</i> fire barrier	As required per FBC	Min. 26ga. steel, Grade 50 5V Crimp Max. 24 in. coverage	5V Type 1 attachment with #9-15 Woodgrip screws with sealing washers spaced 16 in. o.c.	<b>-67.5</b>
5V-S-W-2	Min. 15/32 B-C plywood with OPTIONAL single layer of asphalt shingles	No. 2 SYP min. 1x4 wood battens secured per Note 9	OPTIONAL <i>Approved</i> fire barrier	As required per FBC	Min. 26ga. steel, Grade 80 5V Crimp Max. 24 in. coverage	5V Type 2 attachment into wood battens with #9-15 x min. 1.5-inch Woodgrip screws with sealing washers spaced 16 in. o.c.	<b>-78.5</b>
5V-S-W-3	Min. 15/32 CDX plywood	OPTIONAL No. 2 SYP min. 1x4 wood battens secured per Note 8	OPTIONAL <i>Approved</i> fire barrier	As required per FBC	Min. 26ga. steel, Grade 80 5V Crimp Max. 24 in. coverage	5V Type 1 attachment with #12-8 Woodgrip XG screws with sealing washers spaced 16 in. o.c.	<b>-86.25</b>
5V-S-W-4	Min. 15/32 CDX plywood	OPTIONAL No. 2 SYP min. 1x4 wood battens secured per Note 8	OPTIONAL <i>Approved</i> fire barrier	As required per FBC	Min. 26ga. steel, Grade 80 5V Crimp Max. 24 in. coverage	5V Type 1 attachment with #9-15 Woodgrip or #12-8 Woodgrip XG screws with sealing washers spaced 12 in. o.c.	<b>-90</b>
5V-S-W-5	Min. 15/32 B-C plywood with OPTIONAL single layer of asphalt shingles	No. 2 SYP min. 1x4 wood battens secured per Note 9	OPTIONAL <i>Approved</i> fire barrier	As required per FBC	Min. 26ga. steel, Grade 80 5V Crimp Max. 24 in. coverage	5V Type 3 attachment into wood battens with #9-15 x min. 1.5-inch Woodgrip screws with sealing washers spaced 16 in. o.c.	<b>-101</b>
5V-S-W-6	Min. 15/32 CDX plywood	-	OPTIONAL <i>Approved</i> fire barrier	As required per FBC	Min. 26ga. steel, Grade 50 5V Crimp Max. 24 in. coverage	5V Type 1 attachment with #12-8 Woodgrip XG screws with sealing washers spaced 12 in. o.c.	<b>-101.25</b>
5V-S-W-7	Min. 15/32 CDX plywood	-	OPTIONAL <i>Approved</i> fire barrier	As required per FBC	Min. 26ga. steel, Grade 50 5V Crimp Max. 24 in. coverage	5V Type 1 attachment with #9-15 Woodgrip or #12-8 Woodgrip XG screws with sealing washers spaced 6 in. o.c.	<b>-120</b>

**APPENDIX B**

Approved Systems for Min. 26ga. steel 5V Crimp over Wood Deck (New or Existing)							
System No.	Deck	Battens (Note 7)	Fire Barrier	Underlayment	Roof Panel	Panel Attachment	MDP (psf)
5V-S-W-8	Min. 15/32 CDX plywood	OPTIONAL No. 2 SYP min. 1x4 wood battens secured per Note 8	OPTIONAL <i>Approved</i> fire barrier	As required per FBC	Min. 26ga. steel, Grade 80 5V Crimp Max. 24 in. coverage	<i>5V Type 1</i> attachment with #12-8 Woodgrip XG screws with sealing washers spaced 9 in. o.c.	<b>-120</b>
5V-S-W-9	Min. 15/32 CDX plywood	OPTIONAL No. 2 SYP min. 1x4 wood battens secured per Note 8	OPTIONAL <i>Approved</i> fire barrier	As required per FBC	Min. 26ga. steel, Grade 80 5V Crimp Max. 24 in. coverage	<i>5V Type 1</i> attachment with #9-15 Woodgrip or #12-8 Woodgrip XG screws with sealing washers spaced 6 in. o.c.	<b>-135</b>

Approved Systems for Min. 26ga. steel PBR over Wood Deck (New or Existing)							
System No.	Deck	Battens (Note 7)	Fire Barrier	Underlayment	Roof Panel	Panel Attachment	MDP (psf)
PBR-W-1	Min. 15/32 B-C plywood	-	OPTIONAL <i>Approved</i> fire barrier	As required per FBC	Min. 26ga. steel, Grade 80 PBR Max. 36 in. coverage	<i>PBR Type 2</i> attachment with #9-15 Woodgrip screws with sealing washers spaced 24 in. o.c.	<b>-63.5</b>
PBR-W-2	Min. 15/32 B-C plywood with OPTIONAL single layer of asphalt shingles	No. 2 SYP min. 1x4 wood battens secured per Note 9	OPTIONAL <i>Approved</i> fire barrier	As required per FBC	Min. 26ga. steel, Grade 80 PBR Max. 36 in. coverage	<i>PBR Type 2</i> attachment into wood battens with #9-15 x min. 1.5-inch Woodgrip screws with sealing washers spaced 24 in. o.c.	<b>-71</b>
PBR-W-3	Min. 15/32 B-C plywood with OPTIONAL single layer of asphalt shingles	No. 2 SYP min. 1x4 wood battens secured per Note 9	OPTIONAL <i>Approved</i> fire barrier	As required per FBC	Min. 26ga. steel, Grade 80 PBR Max. 36 in. coverage	<i>PBR Type 1</i> attachment into wood battens with #9-15 x min. 1.5-inch Woodgrip screws with sealing washers spaced 24 in. o.c.	<b>-78.5</b>

**APPENDIX B**

Approved Systems for Min. 26ga. steel PBR over Wood Deck (New or Existing)							
System No.	Deck	Battens (Note 7)	Fire Barrier	Underlayment	Roof Panel	Panel Attachment	MDP (psf)
PBR-W-1	Min. 15/32 CDX plywood	OPTIONAL No. 2 SYP min. 1x4 wood battens secured per Note 8	OPTIONAL <i>Approved</i> fire barrier	As required per FBC	Min. 26ga. steel, Grade 80 PBR Max. 36 in. coverage	<i>PBR Type 1</i> attachment with #12-8 Woodgrip XG screws with sealing washers spaced 24 in. o.c.	<b>-86</b>
PBR-W-2	Min. 15/32 B-C plywood	-	OPTIONAL <i>Approved</i> fire barrier	As required per FBC	Min. 26ga. steel, Grade 80 PBR Max. 36 in. coverage	<i>PBR Type 1</i> attachment with #9-15 Woodgrip screws with sealing washers spaced 24 in. o.c.	<b>-93.5</b>
PBR-W-3	Min. 15/32 CDX plywood	OPTIONAL No. 2 SYP min. 1x4 wood battens secured per Note 8	OPTIONAL <i>Approved</i> fire barrier	As required per FBC	Min. 26ga. steel, Grade 80 PBR Max. 36 in. coverage	<i>PBR Type 1</i> attachment with #12-8 Woodgrip XG screws with sealing washers spaced 12 in. o.c.	<b>-153.5</b>

Approved Systems for Min. 29ga steel Ultra Rib over Wood Deck (New or Existing)							
System No.	Deck	Battens (Note 7)	Fire Barrier	Underlayment	Roof Panel	Panel Attachment	MDP (psf)
RIB-W-1	Min. 7/16 OSB with OPTIONAL single layer of asphalt shingles	-	OPTIONAL <i>Approved</i> fire barrier	As required per FBC	Min. 29ga. steel Ultra Rib Max. 36 in. coverage	<i>Ultra Rib 2</i> attachment with #12-8 Woodgrip XG screws with sealing washers spaced 24 in. o.c	<b>-41.7</b>
RIB-W-2	Min. 15/32 B-C plywood with OPTIONAL single layer of asphalt shingles	No. 2 SYP min. 1x4 wood battens secured per Note 10	OPTIONAL <i>Approved</i> fire barrier	As required per FBC	Min. 29ga. steel Ultra Rib Max. 36 in. coverage	<i>Ultra Rib 4</i> attachment into wood battens with #9-15 x min. 2-inch Woodgrip screws with sealing washers spaced 24 in. o.c	<b>-52.5</b>

Approved Systems for Min. 29ga steel Ultra Rib over Wood Deck (New or Existing)							
System No.	Deck	Battens (Note 7)	Fire Barrier	Underlayment	Roof Panel	Panel Attachment	MDP (psf)
RIB-W-3	Min. 15/32 B-C plywood with OPTIONAL single layer of asphalt shingles	-	OPTIONAL <i>Approved</i> fire barrier	As required per FBC	Min. 29ga. steel Ultra Rib Max. 36 in. coverage	<i>Ultra Rib 2</i> attachment with #9-15 Woodgrip screws with sealing washers spaced 24 in. o.c	<b>-63.5</b>
RIB-W-4	Min. 15/32 CDX plywood with OPTIONAL single layer of asphalt shingles	No. 2 SYP min. 1x4 wood battens secured per Note 8	OPTIONAL <i>Approved</i> fire barrier	As required per FBC	Min. 29ga. steel Ultra Rib Max. 36 in. coverage	<i>Ultra Rib 2</i> attachment with #9-15 Woodgrip screws with sealing washers spaced 24 in. o.c	<b>-67.5</b>
RIB-W-5	Min. 15/32 3-ply plywood with OPTIONAL single layer of asphalt shingles	No. 2 SYP min. 1x4 wood battens secured per Note 10	OPTIONAL <i>Approved</i> fire barrier	As required per FBC	Min. 29ga. steel Ultra Rib Max. 36 in. coverage	<i>Ultra Rib 2</i> attachment into wood battens with #9-15 x min. 1.5-inch Woodgrip screws with sealing washers spaced 24 in. o.c	<b>-78.5</b>
RIB-W-6	Min. 15/32 3-ply plywood with OPTIONAL single layer of asphalt shingles	No. 2 SYP min. 1x4 wood battens secured per note 10	OPTIONAL <i>Approved</i> fire barrier	As required per FBC	Min. 29ga. steel Ultra Rib Max. 36 in. coverage	<i>Ultra Rib 3</i> attachment into wood battens with #9-15 x min. 1.5-inch Woodgrip screws with sealing washers spaced 24 in. o.c	<b>-86</b>
RIB-W-7	Min. 15/32 CDX plywood	No. 2 SYP min. 1x4 wood battens secured per Note 11	OPTIONAL <i>Approved</i> fire barrier	As required per FBC	Min. 29ga. steel Ultra Rib Max. 36 in. coverage	<i>Ultra Rib 2</i> attachment into wood battens with #9-15 x min. 1.5-inch Woodgrip screws with sealing washers spaced 24 in. o.c	<b>-93.5</b>
RIB-W-8	Min. 15/32 B-C plywood with OPTIONAL single layer of asphalt shingles	-	OPTIONAL <i>Approved</i> fire barrier	As required per FBC	Min. 29ga. steel Ultra Rib Max. 36 in. coverage	<i>Ultra Rib 3</i> attachment with #9-15 Woodgrip screws with sealing washers spaced 24 in. o.c	<b>-101</b>

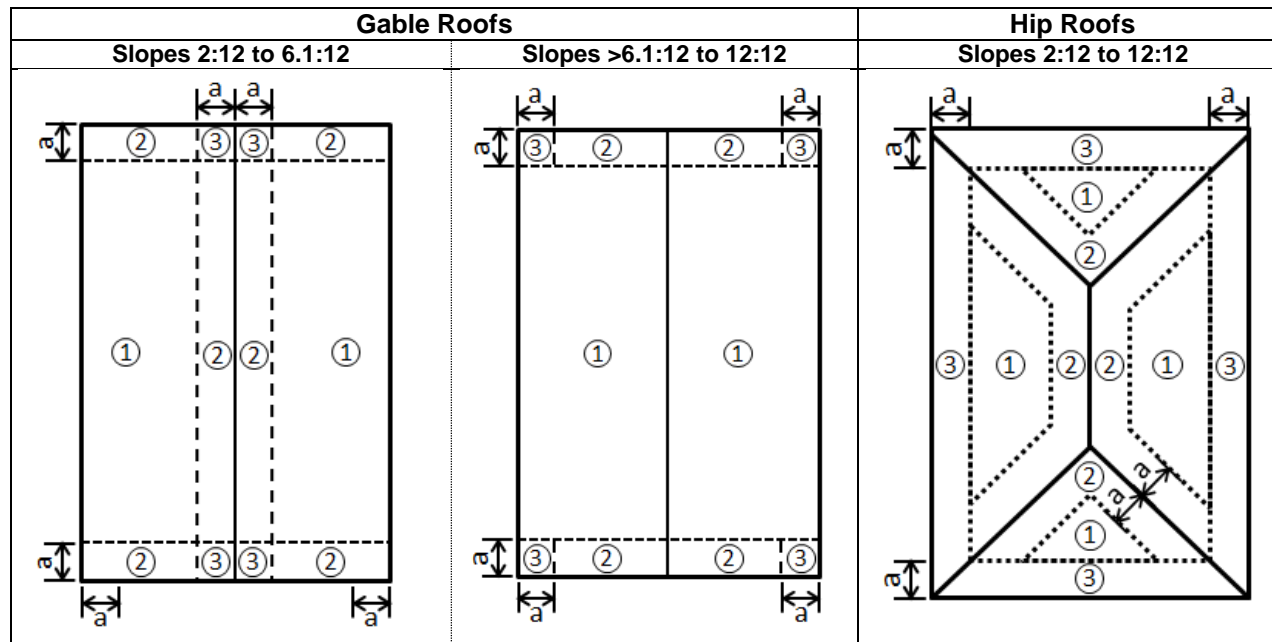


Approved Systems for Min. 29ga steel Ultra Rib over Wood Deck (New or Existing)							
System No.	Deck	Battens (Note 7)	Fire Barrier	Underlayment	Roof Panel	Panel Attachment	MDP (psf)
RIB-W-9	Min. 15/32 CDX plywood	OPTIONAL No. 2 SYP min. 1x4 wood battens secured per Note 8	OPTIONAL <i>Approved</i> fire barrier	As required per FBC	Min. 26ga. steel Ultra Rib Max. 36 in. coverage	<i>Ultra Rib 1</i> attachment with #12-8 Woodgrip XG screws with sealing washers spaced 24 in. o.c	<b>-116.25</b>
RIB-W-10	Min. 7/16 OSB with OPTIONAL single layer of asphalt shingles	-	OPTIONAL <i>Approved</i> fire barrier	As required per FBC	Min. 29ga. steel Ultra Rib Max. 36 in. coverage	<i>Ultra Rib 3</i> attachment with #12-8 Woodgrip XG screws with sealing washers spaced 12 in. o.c	<b>-123.5</b>
RIB-W-11	Min. 15/32 CDX plywood	OPTIONAL No. 2 SYP min. 1x4 wood battens secured per Note 8	OPTIONAL <i>Approved</i> fire barrier	As required per FBC	Min. 26ga. steel Ultra Rib Max. 36 in. coverage	<i>Ultra Rib 1</i> attachment with #9-15 Woodgrip screws with sealing washers spaced 12 in. o.c	<b>-135</b>
RIB-W-12	Min. 15/32 B-C plywood with OPTIONAL single layer of asphalt shingles	No. 2 SYP min. 1x4 wood battens secured per Note 10	OPTIONAL <i>Approved</i> fire barrier	As required per FBC	Min. 29ga. steel Ultra Rib Max. 36 in. coverage	<i>Ultra Rib 4</i> attachment into wood battens with #9-15 x min. 2-inch Woodgrip screws with sealing washers spaced 6 in. o.c	<b>-131</b>
RIB-W-13	Min. 15/32 CDX plywood	No. 2 SYP min. 1x4 wood battens secured per Note 11	OPTIONAL <i>Approved</i> fire barrier	As required per FBC	Min. 29ga. steel Ultra Rib Max. 36 in. coverage	<i>Ultra Rib 3</i> attachment into wood battens with #9-15 x min. 1.5-inch Woodgrip screws with sealing washers spaced 24 in. o.c	<b>-138.5</b>

**DESIGN WIND LOADS**

The following tables provide design wind loads for components and cladding in accordance with Section 1609 of the FBC and ASCE 7-22 under the following provisions:

1. Wind speeds for risk category I, II, III, and IV buildings shall be as defined in Section 1609 of the FBC.
2. Exposure B, C and D shall be as defined in section 1609 of the FBC.
3. Design wind load provided only for gable/hip roofs with roof slopes between 2:12 and 12:12.
4. All calculations are based on an effective wind area of 10-ft<sup>2</sup> or less.
5. Topographic factors such as escarpments or hills have been excluded from the analysis.
6. Overhangs have been excluded from the analysis.
7. Wind directionality factor,  $K_d = 0.85$
8. Ground elevation factor,  $K_e = 1.0$
9.  $V_{ult}$  is shown in the tables below. Design wind loads are calculated using  $V_{asd} = V_{ult} \sqrt{0.6}$  per 1609.3.1.
10. Zone 2 applies to Zone 3 for Hip Roofs where the slope is between 2:12 and 6.1:12.
11. Projects with mean roof heights greater than 60-ft shall be evaluated by a licensed design professional.
12. Zones 1, 2, and 3 shall be defined as shown below. Dimension "a" shall be 10% of the least horizontal dimension or (0.4 x Mean Roof Height), whichever is smaller, but not less than either 4% of the least horizontal dimension or 3ft.



APPENDIX C

Gable/Hip Roofs in Exposure B (Roof slope between 2:12 and 12:12)											
Building Type	Zone	Mean Roof Height (ft)	Basic Wind Speed (mph)								
			120	130	140	150	160	170	180	190	200
Enclosed/ Partially Open	1	20	-25.4	-29.8	-34.6	-39.7	-45.2	-51.0	-57.2	-63.7	-70.6
		25	-26.9	-31.6	-36.6	-42.0	-47.8	-54.0	-60.5	-67.5	-74.7
		30	-28.3	-33.2	-38.5	-44.1	-50.2	-56.7	-63.6	-70.8	-78.5
		40	-30.5	-35.8	-41.5	-47.7	-54.2	-61.2	-68.6	-76.5	-84.7
		50	-32.4	-38.0	-44.1	-50.6	-57.6	-65.0	-72.8	-81.2	-89.9
		60	-34.0	-39.9	-46.3	-53.1	-60.4	-68.2	-76.5	-85.2	-94.4
	2	20	-33.6	-39.4	-45.7	-52.5	-59.7	-67.4	-75.5	-84.2	-93.3
		25	-35.5	-41.7	-48.4	-55.5	-63.2	-71.3	-80.0	-89.1	-98.7
		30	-37.3	-43.8	-50.8	-58.3	-66.3	-74.9	-84.0	-93.6	-103.7
		40	-40.3	-47.3	-54.9	-63.0	-71.6	-80.9	-90.7	-101.0	-111.9
		50	-42.8	-50.2	-58.2	-66.8	-76.0	-85.8	-96.2	-107.2	-118.8
		60	-44.9	-52.7	-61.1	-70.2	-79.8	-90.1	-101.0	-112.6	-124.7
	3	20	-44.1	-51.7	-60.0	-68.8	-78.3	-88.4	-99.1	-110.5	-122.4
		25	-46.7	-54.8	-63.5	-72.9	-82.9	-93.6	-105.0	-117.0	-129.6
		30	-49.0	-57.5	-66.7	-76.5	-87.1	-98.3	-110.2	-122.8	-136.1
		40	-52.9	-62.1	-72.0	-82.6	-94.0	-106.1	-119.0	-132.6	-146.9
		50	-56.1	-65.9	-76.4	-87.7	-99.8	-112.6	-126.3	-140.7	-155.9
		60	-58.9	-69.2	-80.2	-92.1	-104.8	-118.3	-132.6	-147.7	-163.7
Partially Enclosed	1	20	-29.7	-34.9	-40.5	-46.5	-52.8	-59.7	-66.9	-74.5	-82.6
		25	-31.5	-36.9	-42.8	-49.2	-56.0	-63.2	-70.8	-78.9	-87.4
		30	-33.0	-38.8	-45.0	-51.6	-58.7	-66.3	-74.4	-82.8	-91.8
		40	-35.7	-41.9	-48.6	-55.8	-63.4	-71.6	-80.3	-89.4	-99.1
		50	-37.9	-44.4	-51.5	-59.2	-67.3	-76.0	-85.2	-94.9	-105.2
		60	-39.8	-46.7	-54.1	-62.1	-70.7	-79.8	-89.4	-99.7	-110.4
	2	20	-37.9	-44.5	-51.6	-59.2	-67.4	-76.0	-85.2	-95.0	-105.2
		25	-40.1	-47.1	-54.6	-62.7	-71.3	-80.5	-90.3	-100.6	-111.4
		30	-42.1	-49.4	-57.3	-65.8	-74.9	-84.5	-94.8	-105.6	-117.0
		40	-45.5	-53.4	-61.9	-71.1	-80.8	-91.3	-102.3	-114.0	-126.3
		50	-48.3	-56.6	-65.7	-75.4	-85.8	-96.9	-108.6	-121.0	-134.1
		60	-50.7	-59.5	-69.0	-79.2	-90.1	-101.7	-114.0	-127.0	-140.7
	3	20	-48.4	-56.8	-65.8	-75.6	-86.0	-97.1	-108.8	-121.3	-134.4
		25	-51.2	-60.1	-69.7	-80.0	-91.1	-102.8	-115.3	-128.4	-142.3
		30	-53.8	-63.1	-73.2	-84.0	-95.6	-107.9	-121.0	-134.8	-149.4
		40	-58.1	-68.1	-79.0	-90.7	-103.2	-116.5	-130.6	-145.6	-161.3
		50	-61.6	-72.3	-83.9	-96.3	-109.6	-123.7	-138.7	-154.5	-171.2
		60	-64.7	-75.9	-88.1	-101.1	-115.0	-129.8	-145.6	-162.2	-179.7

APPENDIX C

Gable/Hip Roofs in Exposure C (Roof slope between 2:12 and 12:12)											
Building Type	Zone	Mean Roof Height (ft)	Basic Wind Speed (mph)								
			120	130	140	150	160	170	180	190	200
Enclosed/ Partially Open	1	20	-36.9	-43.3	-50.2	-57.6	-65.6	-74.0	-83.0	-92.5	-102.5
		25	-38.7	-45.4	-52.7	-60.5	-68.8	-77.7	-87.1	-97.1	-107.6
		30	-40.2	-47.2	-54.7	-62.8	-71.4	-80.7	-90.4	-100.8	-111.6
		40	-42.6	-50.0	-58.0	-66.6	-75.8	-85.5	-95.9	-106.8	-118.4
		50	-44.6	-52.3	-60.7	-69.7	-79.3	-89.5	-100.4	-111.8	-123.9
		60	-46.3	-54.3	-63.0	-72.3	-82.3	-92.9	-104.2	-116.1	-128.6
	2	20	-48.7	-57.2	-66.3	-76.1	-86.6	-97.8	-109.6	-122.2	-135.4
		25	-51.2	-60.0	-69.6	-79.9	-90.9	-102.7	-115.1	-128.2	-142.1
		30	-53.1	-62.3	-72.3	-83.0	-94.4	-106.6	-119.5	-133.1	-147.5
		40	-56.3	-66.1	-76.6	-88.0	-100.1	-113.0	-126.7	-141.1	-156.4
		50	-58.9	-69.2	-80.2	-92.1	-104.8	-118.3	-132.6	-147.7	-163.7
		60	-61.2	-71.8	-83.2	-95.6	-108.7	-122.7	-137.6	-153.3	-169.9
	3	20	-64.0	-75.1	-87.1	-99.9	-113.7	-128.4	-143.9	-160.3	-177.7
		25	-67.1	-78.8	-91.4	-104.9	-119.4	-134.7	-151.1	-168.3	-186.5
		30	-69.7	-81.8	-94.8	-108.9	-123.9	-139.8	-156.8	-174.7	-193.6
		40	-73.9	-86.7	-100.6	-115.5	-131.4	-148.3	-166.3	-185.2	-205.3
		50	-77.3	-90.8	-105.3	-120.8	-137.5	-155.2	-174.0	-193.9	-214.8
		60	-80.3	-94.2	-109.3	-125.4	-142.7	-161.1	-180.6	-201.2	-223.0
Partially Enclosed	1	20	-43.2	-50.6	-58.7	-67.4	-76.7	-86.6	-97.1	-108.2	-119.9
		25	-45.3	-53.2	-61.6	-70.8	-80.5	-90.9	-101.9	-113.5	-125.8
		30	-47.0	-55.2	-64.0	-73.5	-83.6	-94.3	-105.8	-117.8	-130.6
		40	-49.9	-58.5	-67.9	-77.9	-88.6	-100.0	-112.2	-125.0	-138.5
		50	-52.2	-61.2	-71.0	-81.5	-92.8	-104.7	-117.4	-130.8	-144.9
		60	-54.2	-63.6	-73.7	-84.6	-96.3	-108.7	-121.8	-135.8	-150.4
	2	20	-55.0	-64.5	-74.9	-85.9	-97.8	-110.4	-123.7	-137.9	-152.8
		25	-57.7	-67.7	-78.6	-90.2	-102.6	-115.8	-129.9	-144.7	-160.3
		30	-59.9	-70.3	-81.6	-93.6	-106.5	-120.2	-134.8	-150.2	-166.4
		40	-63.5	-74.6	-86.5	-99.3	-112.9	-127.5	-143.0	-159.3	-176.5
		50	-66.5	-78.0	-90.5	-103.9	-118.2	-133.5	-149.6	-166.7	-184.7
		60	-69.0	-81.0	-93.9	-107.8	-122.7	-138.5	-155.3	-173.0	-191.7
	3	20	-70.2	-82.4	-95.6	-109.7	-124.8	-140.9	-158.0	-176.0	-195.1
		25	-73.7	-86.5	-100.3	-115.2	-131.0	-147.9	-165.8	-184.8	-204.7
		30	-76.5	-89.8	-104.1	-119.5	-136.0	-153.5	-172.1	-191.8	-212.5
		40	-81.1	-95.2	-110.4	-126.8	-144.2	-162.8	-182.5	-203.4	-225.4
		50	-84.9	-99.7	-115.6	-132.7	-150.9	-170.4	-191.0	-212.9	-235.9
		60	-88.1	-103.4	-120.0	-137.7	-156.7	-176.9	-198.3	-220.9	-244.8

APPENDIX C

Gable/Hip Roofs in Exposure D (Roof slope between 2:12 and 12:12)											
Building Type	Zone	Mean Roof Height (ft)	Basic Wind Speed (mph)								
			120	130	140	150	160	170	180	190	200
Enclosed/ Partially Open	1	20	-44.7	-52.4	-60.8	-69.8	-79.4	-89.7	-100.5	-112.0	-124.1
		25	-46.4	-54.4	-63.1	-72.4	-82.4	-93.1	-104.3	-116.2	-128.8
		30	-47.9	-56.2	-65.1	-74.8	-85.1	-96.1	-107.7	-120.0	-132.9
		40	-50.3	-59.1	-68.5	-78.6	-89.4	-101.0	-113.2	-126.1	-139.8
		50	-52.3	-61.4	-71.2	-81.7	-93.0	-105.0	-117.7	-131.1	-145.3
		60	-54.0	-63.4	-73.5	-84.4	-96.0	-108.4	-121.5	-135.3	-150.0
	2	20	-59.0	-69.3	-80.3	-92.2	-104.9	-118.5	-132.8	-148.0	-163.9
		25	-61.3	-71.9	-83.4	-95.7	-108.9	-122.9	-137.8	-153.6	-170.1
		30	-63.2	-74.2	-86.1	-98.8	-112.4	-126.9	-142.3	-158.5	-175.6
		40	-66.5	-78.0	-90.5	-103.9	-118.2	-133.4	-149.6	-166.6	-184.6
		50	-69.1	-81.1	-94.1	-108.0	-122.8	-138.7	-155.5	-173.2	-191.9
		60	-71.3	-83.7	-97.1	-111.4	-126.8	-143.1	-160.5	-178.8	-198.1
	3	20	-77.5	-90.9	-105.4	-121.0	-137.7	-155.5	-174.3	-194.2	-215.2
		25	-80.4	-94.4	-109.4	-125.6	-142.9	-161.3	-180.9	-201.5	-223.3
		30	-83.0	-97.4	-112.9	-129.7	-147.5	-166.5	-186.7	-208.0	-230.5
		40	-87.2	-102.4	-118.7	-136.3	-155.1	-175.1	-196.3	-218.7	-242.3
		50	-90.7	-106.4	-123.4	-141.7	-161.2	-182.0	-204.1	-227.4	-251.9
		60	-93.6	-109.9	-127.4	-146.3	-166.4	-187.9	-210.6	-234.7	-260.0
Partially Enclosed	1	20	-52.3	-61.3	-71.1	-81.7	-92.9	-104.9	-117.6	-131.0	-145.2
		25	-54.2	-63.7	-73.8	-84.7	-96.4	-108.8	-122.0	-136.0	-150.6
		30	-56.0	-65.7	-76.2	-87.5	-99.5	-112.3	-126.0	-140.3	-155.5
		40	-58.9	-69.1	-80.1	-92.0	-104.6	-118.1	-132.4	-147.5	-163.5
		50	-61.2	-71.8	-83.3	-95.6	-108.8	-122.8	-137.7	-153.4	-169.9
		60	-63.2	-74.1	-86.0	-98.7	-112.3	-126.7	-142.1	-158.3	-175.4
	2	20	-66.6	-78.2	-90.7	-104.1	-118.4	-133.7	-149.9	-167.0	-185.0
		25	-69.1	-81.1	-94.1	-108.0	-122.9	-138.7	-155.5	-173.3	-192.0
		30	-71.4	-83.7	-97.1	-111.5	-126.8	-143.2	-160.5	-178.9	-198.2
		40	-75.0	-88.0	-102.1	-117.2	-133.3	-150.5	-168.8	-188.0	-208.4
		50	-78.0	-91.5	-106.1	-121.8	-138.6	-156.5	-175.4	-195.5	-216.6
		60	-80.5	-94.5	-109.6	-125.8	-143.1	-161.5	-181.1	-201.8	-223.6
	3	20	-85.0	-99.8	-115.8	-132.9	-151.2	-170.7	-191.4	-213.2	-236.2
		25	-88.3	-103.6	-120.1	-137.9	-156.9	-177.1	-198.6	-221.3	-245.2
		30	-91.1	-106.9	-124.0	-142.4	-162.0	-182.8	-205.0	-228.4	-253.1
		40	-95.8	-112.4	-130.4	-149.7	-170.3	-192.2	-215.5	-240.1	-266.1
		50	-99.6	-116.9	-135.5	-155.6	-177.0	-199.8	-224.0	-249.6	-276.6
		60	-102.8	-120.6	-139.9	-160.6	-182.7	-206.3	-231.2	-257.7	-285.5

END OF REPORT