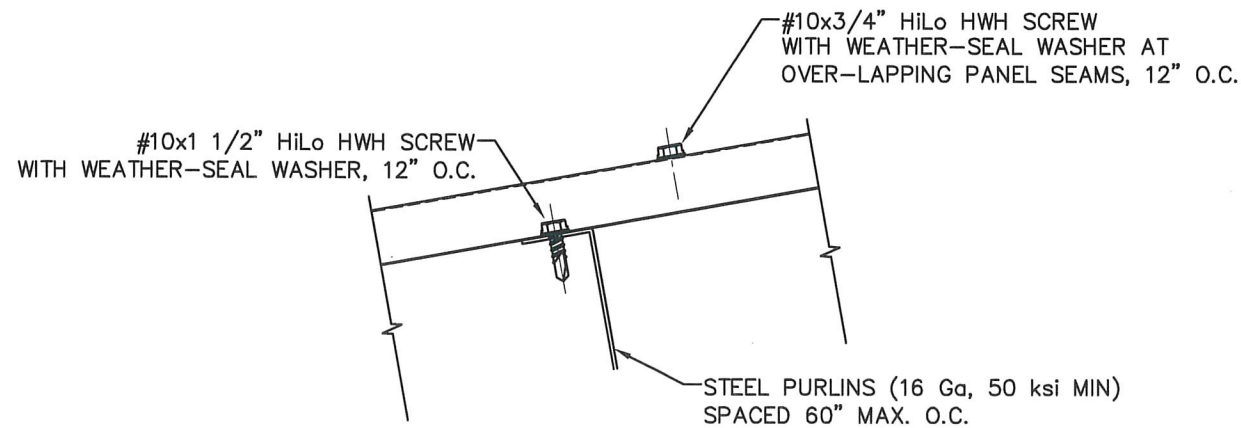
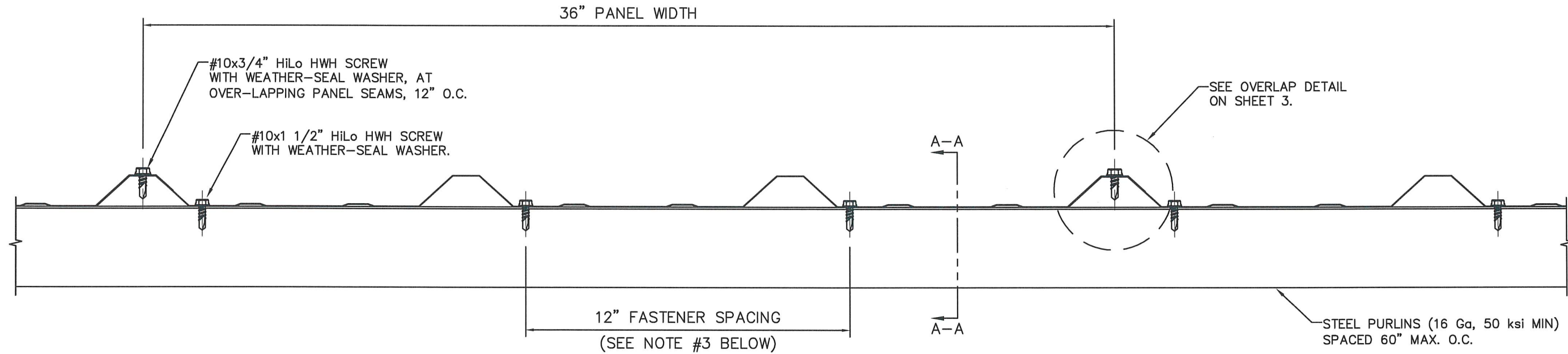


1ST COAST 24 Ga. STEEL PBR ROOF PANEL - HVHZ

36" RIBBED ROOF PANEL INSTALLED DIRECTLY OVER STEEL PURLINS
OR INSTALLED OVER EXISTING PBR PANEL OVER STEEL PURLINS

FIELD INSTALLATION

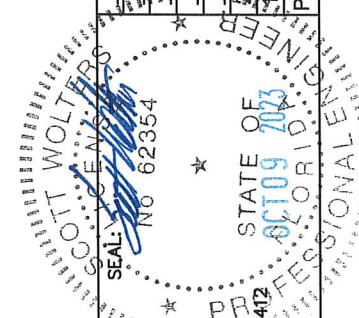


SECTION A-A

MAX UPLIFT PRESSURE
62.5 Psf

GENERAL NOTES:

- PBR PANEL MAY BE INSTALLED DIRECTLY TO STEEL PURLINS, OR INSTALLED OVER EXISTING PBR PANELS.
- IF INSTALLED OVER EXISTING PANELS, THE EXISTING SCREWS AND ANY DEBRIS MUST BE REMOVED FROM THE EXISTING ROOF. ANY CORROSION IN THE EXISTING ROOF MUST BE TREATED WITH A RUST INHIBITOR PER FBC 1521.8.
- AT PANEL BUTT JOINTS, PANELS ARE OVERLAPPED 2", SEALED WITH BUTYL TAPE, AND FASTENED WITH #10x1 1/2" HILO HWH SCREWS 3" O.C.
- ROOF SLOPE IS LIMITED PER THE REQUIREMENTS OF FBC SECTION 1507.4.2.
- FLASHING AND TRIM TO BE INSTALLED PER THE MANUFACTURER'S STANDARD INSTALLATION DETAILS, TO MEET THE REQUIREMENTS OF FBC SECTION 1503.



SCOTT WALTERS FL PE# 62354	WALTERS ENGINEERING (COA# 27194) 15211 97TH ROAD N. WEST PALM BEACH, FL 33412 (561) 225-1982	2023 CODE UPDATE	10/9/23
		1ST SUBMITTAL	12/21/20
		PRINTS ISSUED FOR	REV.#
			DATE

1ST COAST METAL ROOFING SUPPLY

PH: (561) 629-7288
www.1stcoastmrs.com

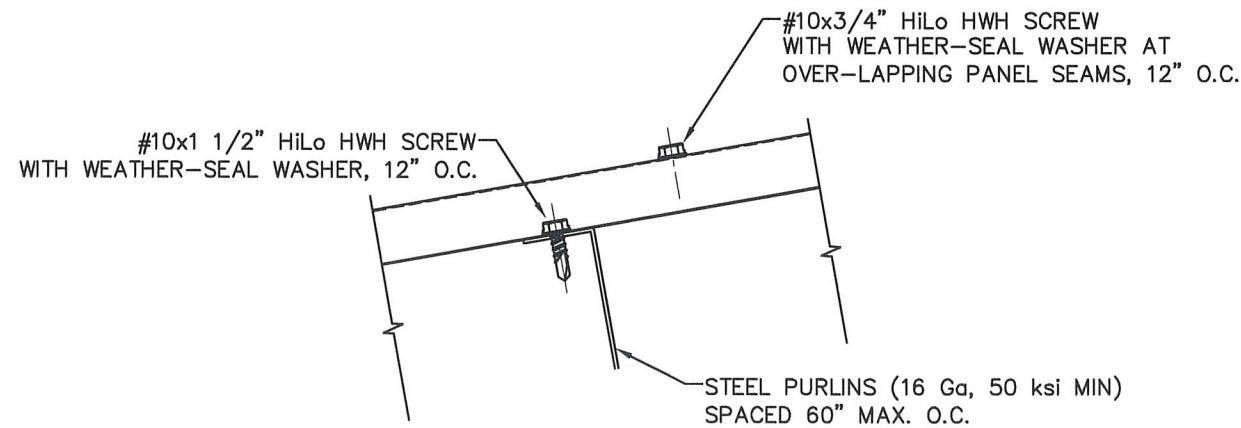
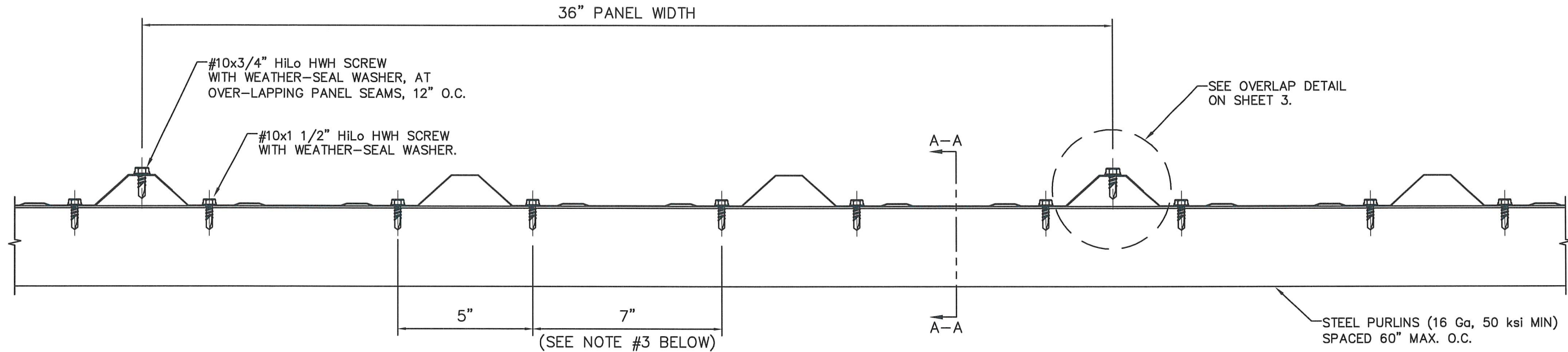
186 STATE ROAD 207
EAST PALATKA, FL 32131

DWG: 1CPBR-HZ
SHEET: 1/3

1ST COAST 24 Ga. STEEL PBR ROOF PANEL - HVHZ

36" RIBBED ROOF PANEL INSTALLED DIRECTLY OVER STEEL PURLINS
OR INSTALLED OVER EXISTING PBR PANEL OVER STEEL PURLINS

PERIMETER & CORNER INSTALLATION



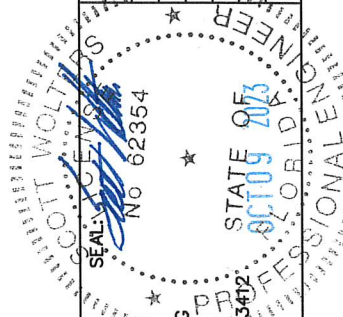
SECTION A-A

MAX UPLIFT PRESSURE
130 Psf

GENERAL NOTES:

1. PBR PANEL MAY BE INSTALLED DIRECTLY TO STEEL PURLINS, OR INSTALLED OVER EXISTING PBR PANELS.
2. IF INSTALLED OVER EXISTING PANELS, THE EXISTING SCREWS AND ANY DEBRIS MUST BE REMOVED FROM THE EXISTING ROOF. ANY CORROSION IN THE EXISTING ROOF MUST BE TREATED WITH A RUST INHIBITOR PER FBC 1521.8.
3. AT PANEL BUTT JOINTS, PANELS ARE OVERLAPPED 2", SEALED WITH BUTYL TAPE, AND FASTENED WITH #10x1 1/2" HiLo HWH SCREWS 3" O.C.
4. ROOF SLOPE IS LIMITED PER THE REQUIREMENTS OF FBC SECTION 1507.4.2.
5. FLASHING AND TRIM TO BE INSTALLED PER THE MANUFACTURER'S STANDARD INSTALLATION DETAILS, TO MEET THE REQUIREMENTS OF FBC SECTION 1503.

10/9/23	1	2023 CODE UPDATE	REV.#	DATE
12/21/20	-	FIRST SUBMITTAL	PRINTS ISSUED	FDR



SCOTT WOLTERS
FL PE# 62354

WOLTERS ENGINEERING
(COA# 27194)
15211 97TH ROAD N.W.
WEST PALM BEACH, FL 33412
(561) 225-1982

1ST COAST METAL ROOFING SUPPLY

PH: (561) 629-7288
www.1stcoastmrs.com

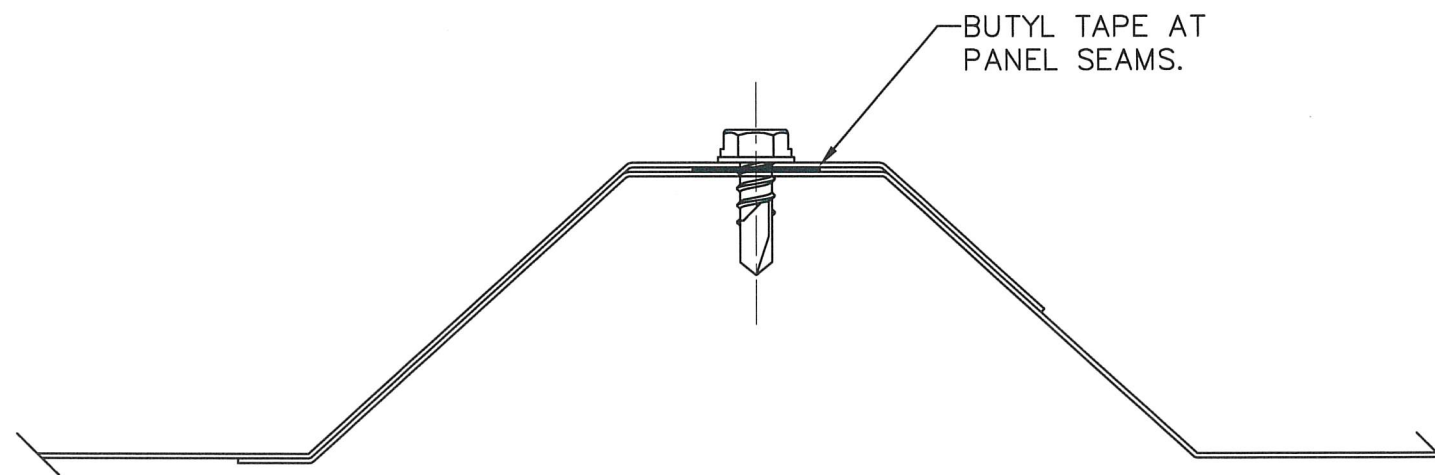
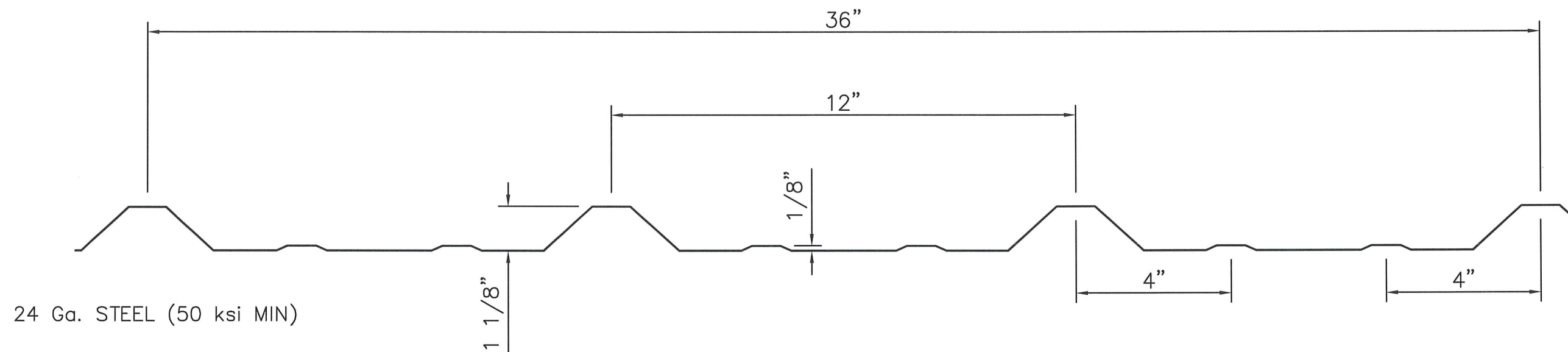
186 STATE ROAD 207
EAST PALATKA, FL 32131



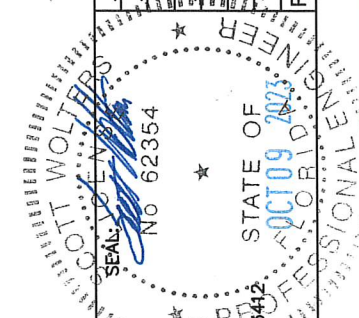
DWG: 1CPBR-HZ
SHEET: 2/3

1ST COAST 24 Ga. STEEL PBR ROOF PANEL - HVHZ

36" RIBBED ROOF PANEL INSTALLED DIRECTLY OVER STEEL PURLINS
OR INSTALLED OVER EXISTING PBR PANEL OVER STEEL PURLINS



OVERLAP DETAIL
(1 RIB)



REV#	DATE	DESCRIPTION
1	10/9/23	2023 CODE UPDATE
-	12/21/20	1ST SUBMITTAL
-	-	PRINTS ISSUED FOR

SCOTT WALTERS
FL PE# 62354

WALTERS ENGINEERING
(COA# 27194)
15211 97TH ROAD, N
WEST PALM BEACH, FL 33412
(561) 225-1982

1ST COAST METAL ROOFING SUPPLY

186 STATE ROAD 207
EAST PALATKA, FL 32131

PH: (561) 629-7288
www.1stcoastmrs.com