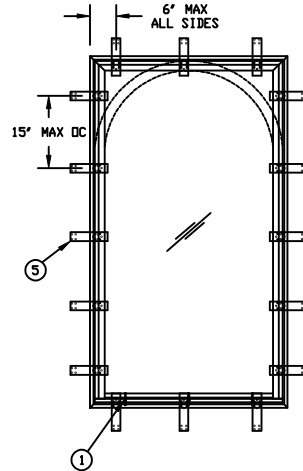
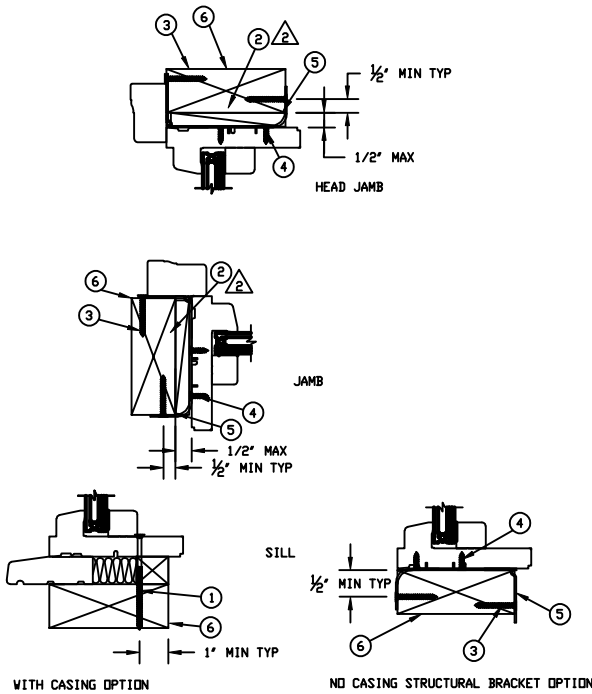


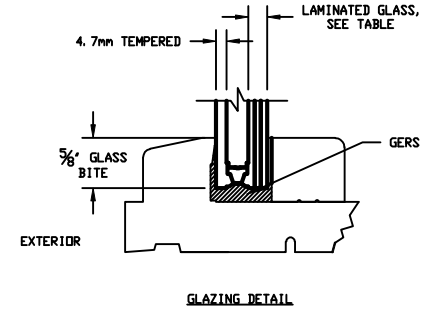
STRUCTURAL BRACKET INSTALLATION



STRUCTURAL BRACKET INSTALLATION METHOD:  
 - UNIT MUST NOT BE IN DIRECT CONTACT WITH EITHER CONCRETE OR TREATED BUCK MATERIAL. IF SHIM SPACE IS LESS THAN 1/8" WRAPPING THE UNIT ON ALL 4 SIDES WITH WINDOW FLASHING TAPE IS REQUIRED AS A BARRIER BETWEEN THE UNIT AND CONCRETE OR TREATED LUMBER.  
 - MINIMUM OF 2 BRACKETS PER SIDE.  
 - ATTACH TO THE UNIT WITH TWO #8 X 5/8" SCREWS.  
 - ATTACH TO THE BUCK WITH TWO #8 X 1 1/2" SCREWS ON EACH SIDE OF THE BUCK.  
 - SCREWS MUST HAVE FULL EMBEDMENT  
 - IF USING CASING, SECURE SILL WITH #8 X 3" SCREWS LOCATED 6" FROM CORNERS AND 15" ON CENTER.

UNIT	MAX FRAME SIZE	DP RATING	GLASS OPTION
UL WD DIR GLZ RT IZ3	73 X 73 15/16	+55/-65	TYPE A

TYPE	LAMINATED GLASS MAKE UP
A	3.9mm(.156") ANN + .090 KURARAY SGP + 3.9mm(.156") ANN



- NOTES:  
 1. THIS PRINT IS FOR STRUCTURAL PERFORMANCE ONLY. FOR FLASHING & SEALING INSTRUCTIONS, REFER TO THE INSTALLATION INSTRUCTIONS.  
 2. SHIMS—PLACE A SHIM WITHIN 4-6 INCHES OF EACH CORNER AND SPACE ALL OTHERS EVENLY A MAXIMUM OF 15" APART.  
 3. IF CHEMICALLY TREATED LUMBER IS USED FOR BUCK MATERIAL, FASTENERS INTO THE BUCK MUST BE A MINIMUM OF 0.90 OZ/FT<sup>2</sup> ZINC HOT DIPPED GALVANIZED OR STAINLESS STEEL TYPE 304 OR 316.  
 4. RECTANGULAR UNIT SHOWN, SHAPED UNITS ALSO APPLY.

CATEGORY:  
DIRECT GLAZE

UNIT TYPE:  
UWDGRT IZ3

6	-----	2X WOOD BUCK BY OTHERS
5	-----	STRUCTURAL BRACKET
4	-----	#8 X 5/8" SCREW
3	-----	#8 x 1 1/2" SCREW
2	-----	SHIM
1	-----	#8 X 3.000" WOOD SCREW

UNSPECIFIED TOLERANCES

DECIMALS: XX ± .03 XXX ± .012	ANGLE DEG: ± .5
LINEAL: + .125 - .000	FAB LINEAL: ± NA

MATERIAL:  
NA

ITEM NO	REF NO	DESCRIPTION
---------	--------	-------------

MARVIN		RESEARCH & DEVELOPMENT	
COLLECTION: ULTIMATE			
DWG TYPE: INSTALLATION		DESCRIPTION: INSTALLATION UWDGRT IZ3	
CHK:	SIZE: B	CLASS: MISC	DWG NO: 00127691
APP:	SCALE: NA	DATE: 02/09/21	DWG BY: KOMPENIEN, SARA
			SHEET: 1 OF 1

NOTICE - CONFIDENTIAL INFORMATION

The information in this document is privileged and strictly confidential. The information contained herein shall be used only by Marvin Windows and Doors employees and by those agents or suppliers granted official written permission. If the reader of this document is not the intended recipient, or the employee or agent of the intended recipient, please delete this document from all data storage devices, and destroy all hard copies. Any unauthorized dissemination, distribution, copying or other use of the information contained in this document is strictly prohibited.