

**SH3100V SMALL MISSILE &
LARGE MISSILE (LEVEL C)
IMPACT RESISTANT, VINYL
SINGLE HUNG WINDOW**

FLORIDA PRODUCT APPROVAL #38618

DESIGN PRESSURE RATING	RATED FOR SMALL MISSILE & LEVEL C LARGE MISSILE IMPACT RESISTANCE
+50/-50 PSF (WITH SILL RISER)	
+40/-50 PSF (WITHOUT SILL RISER)	

1) THIS PRODUCT HAS BEEN DESIGNED & TESTED TO COMPLY WITH THE REQUIREMENTS OF THE FLORIDA BUILDING CODE, EXCLUDING THE HIGH VELOCITY HURRICANE ZONE (HVHZ).

2) SHUTTERS ARE NOT REQUIRED WHEN USED IN WIND-BORNE DEBRIS REGIONS AT THE FOLLOWING LOCATIONS:

- A) WITHIN 1 MILE OF THE COASTAL MEAN HIGH WATER LINE WHERE THE ULTIMATE WIND SPEED IS EQUAL TO OR GREATER THAN 130 MPH AND LESS THAN 140 MPH.
- B) GREATER THAN 1 MILE FROM THE COASTAL MEAN HIGH WATER LINE WHERE THE ULTIMATE WIND SPEED IS GREATER THAN OR EQUAL TO 140 MPH AND LESS THAN 150 MPH.

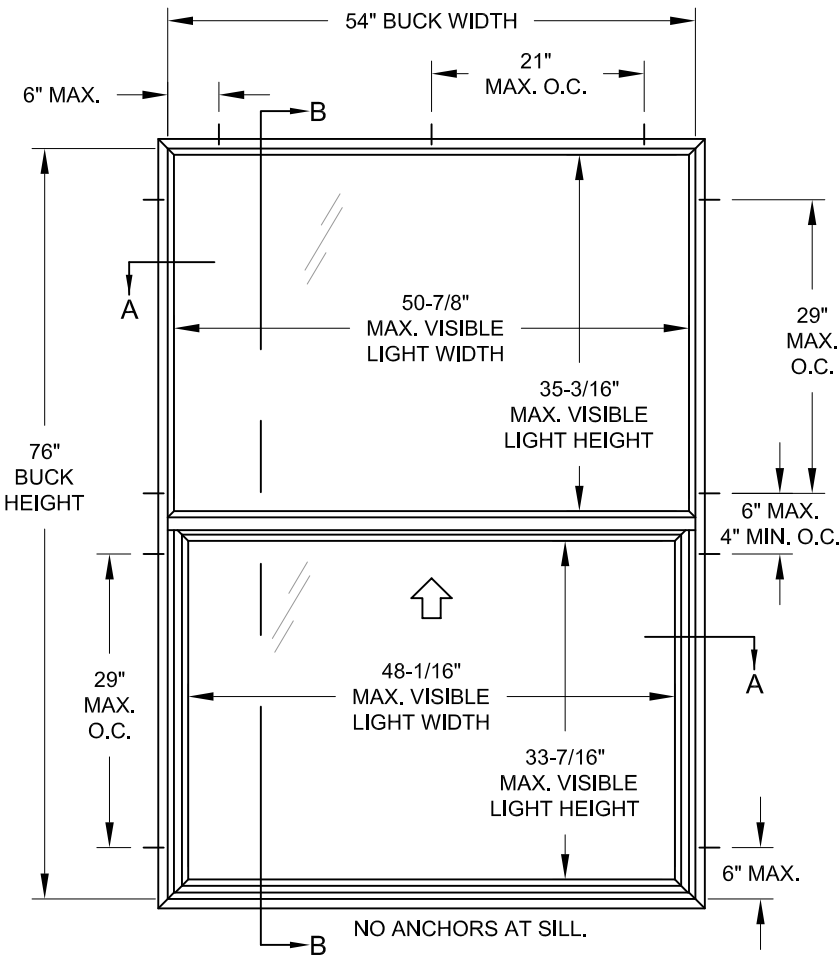
3) MASONRY ANCHORS MAY BE USED INTO WOOD. ALL WOOD BUCKS LESS THAN 1-1/2" THICK ARE TO BE CONSIDERED 1X INSTALLATIONS. 1X WOOD BUCKS ARE OPTIONAL IF UNIT IS INSTALLED DIRECTLY TO SUBSTRATE. WOOD BUCKS DEPICTED AS 2X ARE 1-1/2" THICK OR GREATER. 1X AND 2X BUCKS (WHEN USED) SHALL BE DESIGNED TO PROPERLY TRANSFER LOADS TO THE STRUCTURE. WOOD BUCK DESIGN AND INSTALLATION IS THE RESPONSIBILITY OF THE ENGINEER OR ARCHITECT OF RECORD.

4) ANCHOR EMBEDMENT TO BASE MATERIAL SHALL BE BEYOND WALL DRESSING OR STUCCO. USE ANCHORS OF SUFFICIENT LENGTH. INSTALLATION ANCHORS SHOULD BE SEALED. OVERALL SEALING/FLASHING STRATEGY FOR WATER RESISTANCE OF INSTALLATION SHALL BE DONE BY OTHERS AND IS BEYOND THE SCOPE OF THESE INSTRUCTIONS.

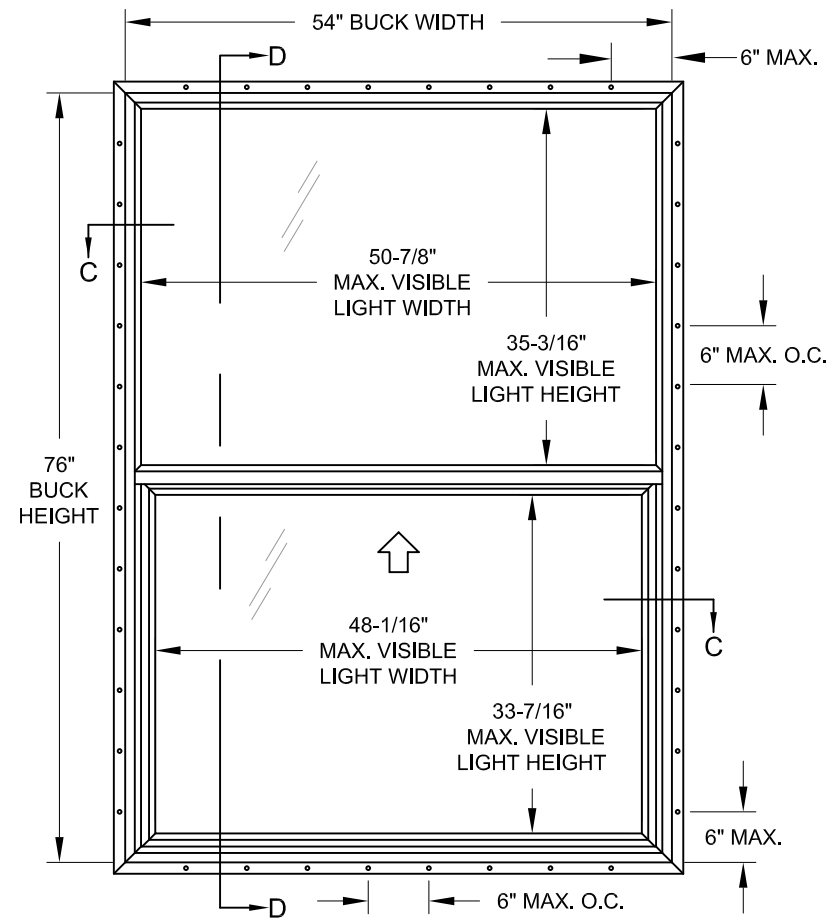
5) SHIMS ARE REQUIRED AT EACH FLANGE/EQUAL LEG ANCHOR LOCATION WHERE THE PRODUCT IS NOT FLUSH TO THE SUBSTRATE. USE SHIMS CAPABLE OF TRANSFERRING APPLIED LOADS. WOOD BUCKS, BY OTHERS, MUST BE SUFFICIENTLY ANCHORED TO RESIST LOADS IMPOSED ON THEM BY THE WINDOW.

6) THE ANCHORAGE METHODS SHOWN HAVE BEEN DESIGNED TO RESIST THE WIND LOADS CORRESPONDING TO THE REQUIRED DESIGN PRESSURE. THE 33-1/3% STRESS INCREASE HAS NOT BEEN USED IN THE DESIGN OF THIS PRODUCT. THE 1.6 LOAD DURATION FACTOR WAS USED FOR THE EVALUATION OF ANCHORS INTO WOOD. ANCHORS THAT COME INTO CONTACT WITH OTHER DISSIMILAR MATERIALS SHALL MEET THE REQUIREMENTS OF THE FLORIDA BUILDING CODE FOR CORROSION RESISTANCE.

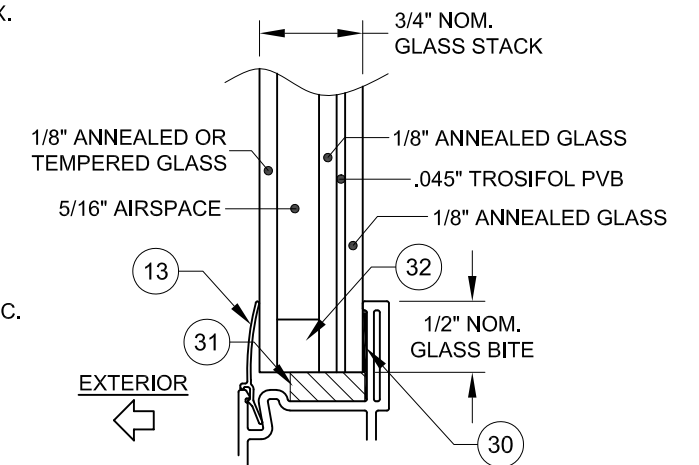
7) FLANGES OR INTEGRAL FINNS MAY BE TRIMMED IN-FIELD TO CREATE AN EQUAL-LEG FRAME.



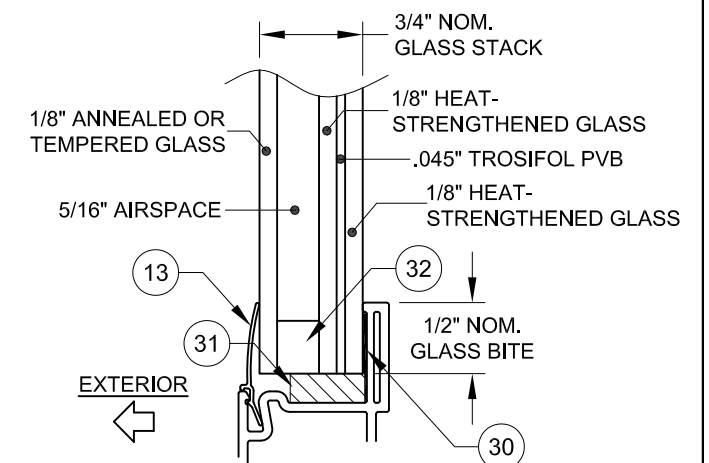
**TYP. ANCHOR LOCATIONS @ TESTED SIZE
(FLANGE / EQUAL LEG FRAME)**



**TYP. ANCHOR LOCATIONS @ TESTED SIZE
(INTEGRAL FIN / J-CHANNEL FRAME)**



**GLASS TYPE 1 (W/ ANNEALED CAP)
GLASS TYPE 2 (W/ TEMPERED CAP)**



**GLASS TYPE 3 (W/ ANNEALED CAP)
GLASS TYPE 4 (W/ TEMPERED CAP)**

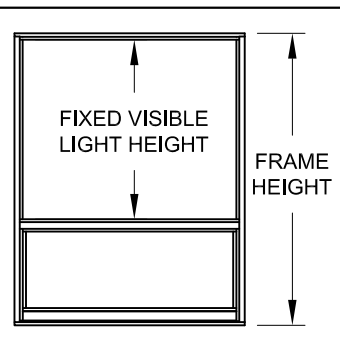
TABLE 1:

Glass Types	
1	1/8" AN Cap, 5/16" Airspace, 1/8" AN, 0.045" Trosifol PVB, 1/8" AN
2	1/8" TP Cap, 5/16" Airspace, 1/8" AN, 0.045" Trosifol PVB, 1/8" AN
3	1/8" AN Cap, 5/16" Airspace, 1/8" HS, 0.045" Trosifol PVB, 1/8" HS
4	1/8" TP Cap, 5/16" Airspace, 1/8" HS, 0.045" Trosifol PVB, 1/8" HS

TROSIFOL PVB INTERLAYER
MANUFACTURED BY KURARAY
AMERICA, INC.

AN = ANNEALED GLASS
HS = HEAT-STRENGTHENED GLASS
TP = TEMPERED GLASS

Oriel configurations allowed provided that the max fixed visible light height and the frame height, as shown above, is not exceeded.



Title: VINYL SINGLE HUNG WINDOW (LM)		Drawn By: JENS ROSOWSKI	
Description: GENERAL NOTES & ELEVATION		Date: 03/24/21	
Revision: MINOR EDITORIAL UPDATES		Rev. By: LMY	Rev. Date: 08/17/23
Series/Model: SH3100V	Scale: NTS	Sheet: 1 OF 6	Drawing No. SH3100FBC-1
		Rev:	A

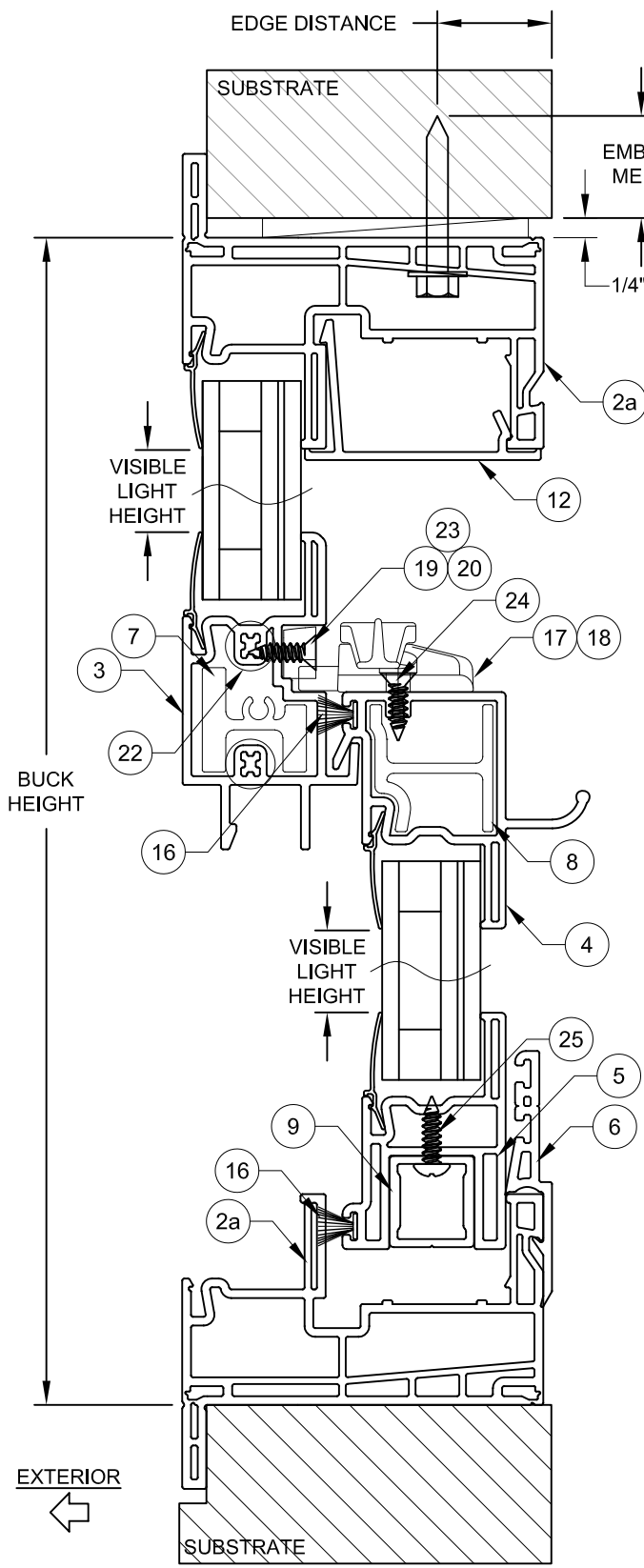
CGI Impact Resistant Windows & Doors

3780 W 104TH STREET
HIALEAH, FL 33018
(305) 593-6590

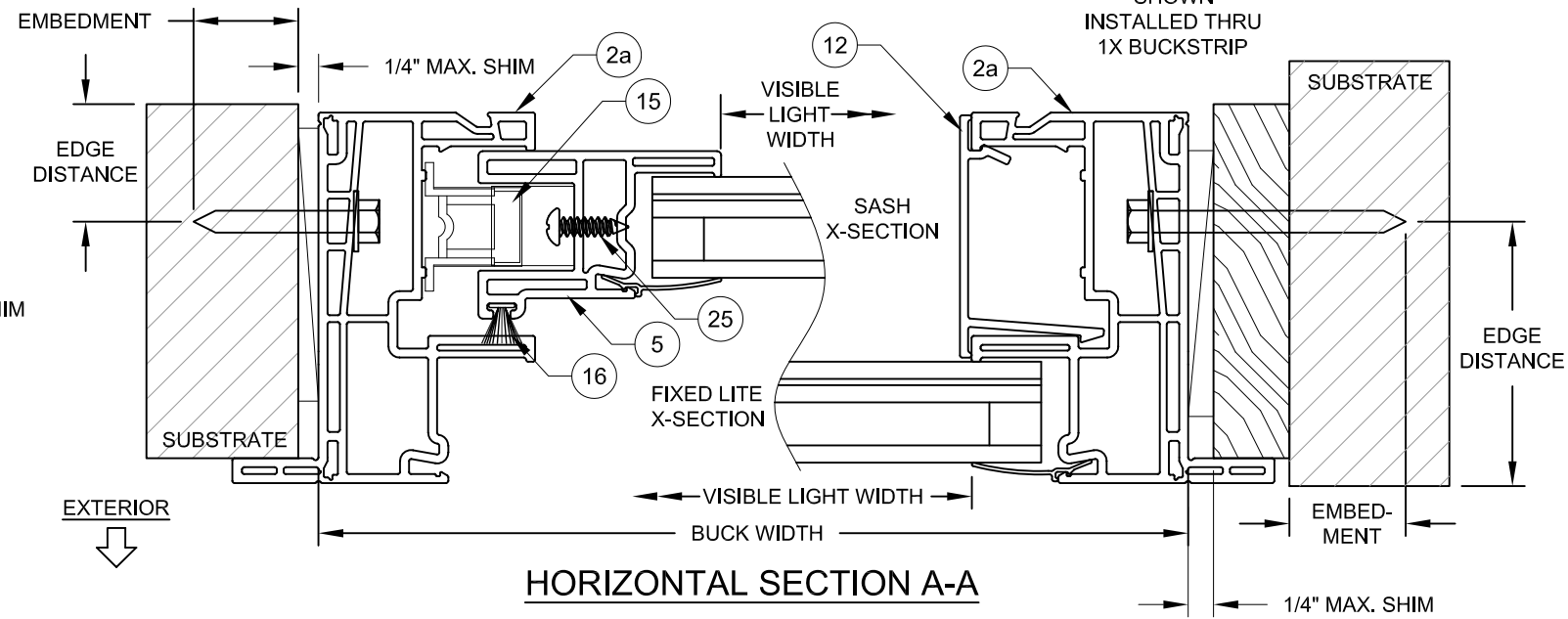
PREPARED BY A. LYNN MILLER
1070 TECHNOLOGY DRIVE
N. VENICE, FL 34275
(941) 480-1600

COPYRIGHT © 2021
CGI WINDOWS AND DOORS, INC.
LIMITED LICENSE TO MAKE
COPIES FOR PERMITTING.
REGISTRATION #29296

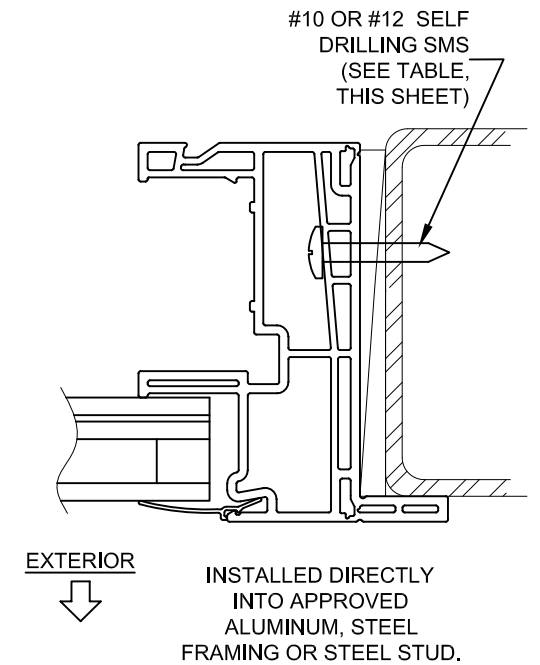
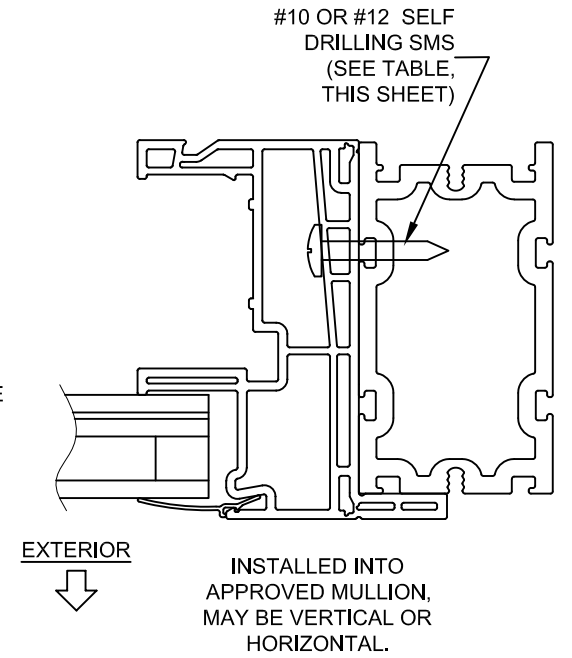
ANTHONY LYNN MILLER
LICENSE
No. 58705
8/18/23
STATE OF
FLORIDA
PROFESSIONAL ENGINEER
A. LYNN MILLER, P.E.
P.E.# 58705



VERTICAL SECTION B-B



HORIZONTAL SECTION A-A



- NOTES:**
- 1) USE ONLY SUBSTRATE APPROPRIATE ANCHORS LISTED IN TABLE 2. FOLLOW EMBEDMENT AND EDGE DISTANCE LIMITS. ANY INSTALLATION OPTION SHOWN MAY BE USED ON ANY SIDE OF THE WINDOW.
 - 2) MASONRY ANCHORS MAY BE USED INTO WOOD AS PER TABLE 2. ALL WOOD BUCKS LESS THAN 1-1/2" THICK ARE TO BE CONSIDERED 1X INSTALLATIONS. 1X WOOD BUCKS ARE OPTIONAL IF UNIT IS INSTALLED DIRECTLY TO SUBSTRATE. WOOD BUCKS DEPICTED AS 2X ARE 1-1/2" THICK OR GREATER. 1X AND 2X BUCKS (WHEN USED) SHALL BE DESIGNED TO PROPERLY TRANSFER LOADS TO THE STRUCTURE. WOOD BUCK DESIGN AND INSTALLATION IS THE RESPONSIBILITY OF THE ENGINEER OR ARCHITECT OF RECORD.
 - 3) SEE SHEET 1 FOR ANCHOR SPACING REQUIREMENTS.
 - 4) MAX. SHIM THICKNESS TO BE 1/4".

TABLE 2:

Anchor	Substrate	Minimum Edge Distance	Minimum Embedment
#10 or #12 Steel, 18-8 SS or 410 SS Screw	Southern Pine (SG = .55)	9/16"	1-3/8"
	Aluminum, 6063-T5 min.	3/8"	0.060"
	Steel Stud, Gr. 33 min.	3/8"	0.045" (20 Ga)
	A36 Steel	3/8"	0.050"
3/16" Steel Ultracon+	Concrete (min. 2.9 ksi)	1"	1-3/4"
	Grouted CMU, (ASTM C-90)	1"	2-1/4"
	Ungroated CMU, (ASTM C-90)	2-1/2"	1-1/4"
1/4" Steel Ultracon+	Southern Pine (SG = .55)	1"	1-3/8"
	Concrete (min. 3.0 ksi)	1"	1-3/8"
	Ungroated CMU, (ASTM C-90)	1"	1-1/4"

- 1) ANCHOR MUST EXTEND A MINIMUM OF 3 THREADS BEYOND ANY METAL SUBSTRATE.
- 2) "UNGROUTED CMU" VALUES MAY BE USED FOR GROUTED CMU APPLICATIONS.
- 3) ALL ANCHOR HEAD TYPES ARE APPLICABLE.

Title: VINYL SINGLE HUNG WINDOW (LM)		Drawn By: JENS ROSOWSKI	
Description: FLANGE INSTALLATION		Date: 03/24/21	
Revision: MINOR EDITORIAL UPDATES		Rev. By: LMY Rev. Date: 08/17/23	
Series/Model: SH3100V	Scale: NTS	Sheet: 2 OF 6	Drawing No. SH3100FBC-1 Rev: A

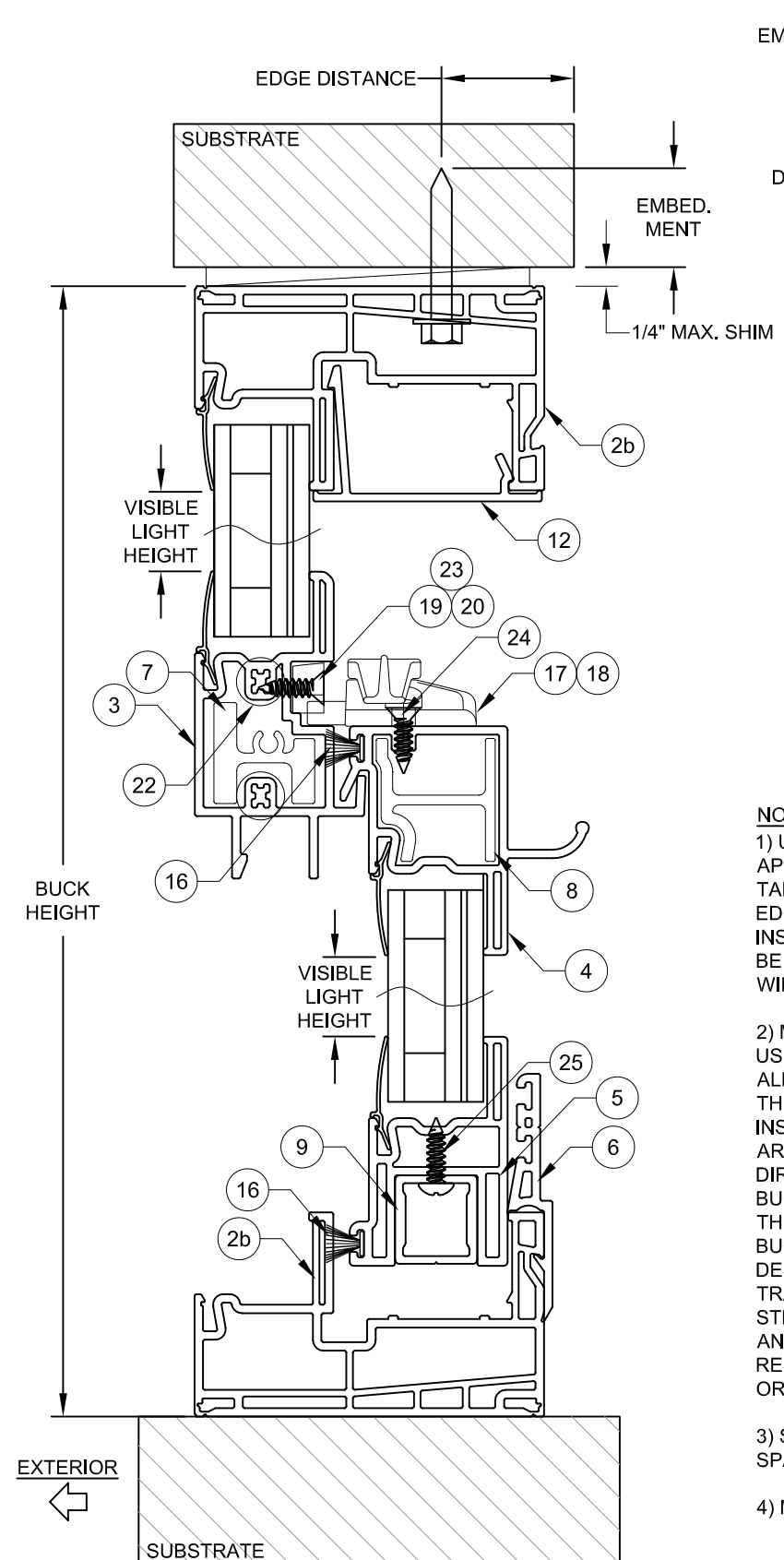
CGI Impact Resistant Windows & Doors

3780 W 104TH STREET
HIALEAH, FL 33018
(305) 593-6590

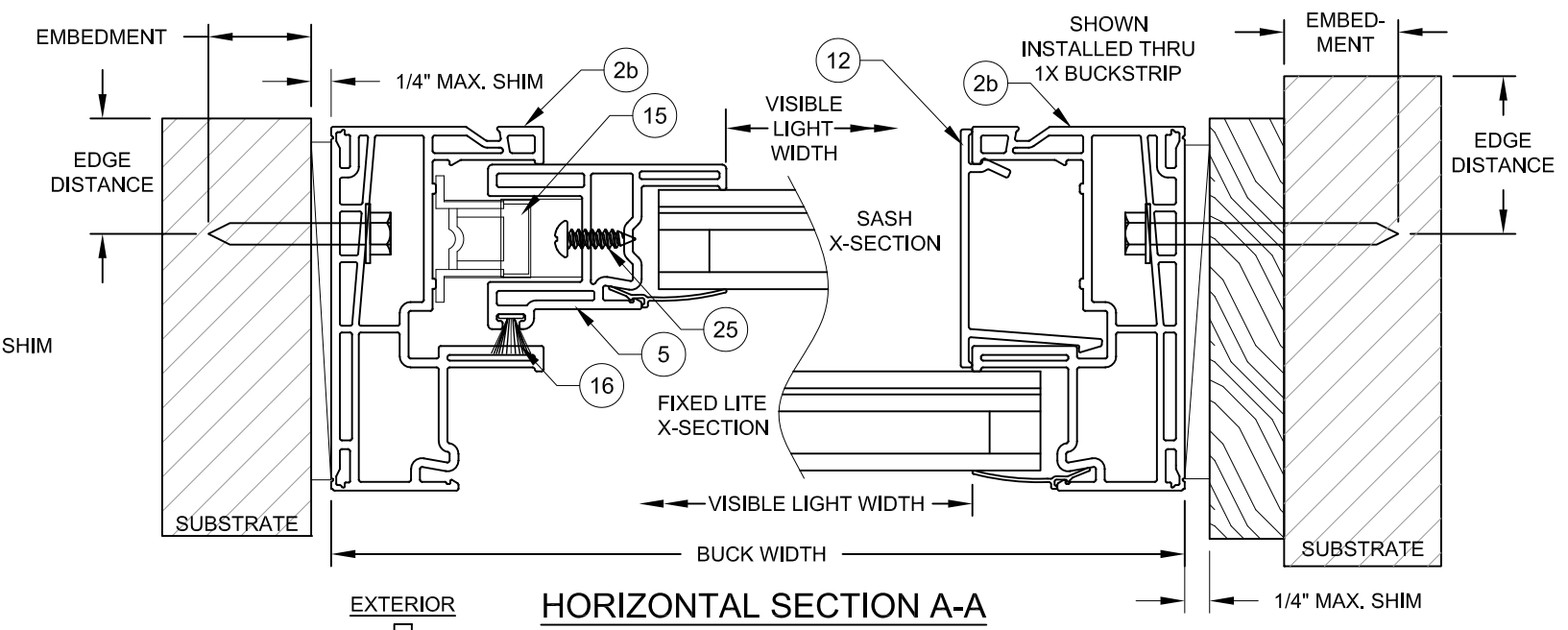
PREPARED BY A. LYNN MILLER
1070 TECHNOLOGY DRIVE
N. VENICE, FL 34275
(941) 480-1600

COPYRIGHT © 2021
CGI WINDOWS AND DOORS, INC.
LIMITED LICENSE TO MAKE
COPIES FOR PERMITTING.
REGISTRATION #29296

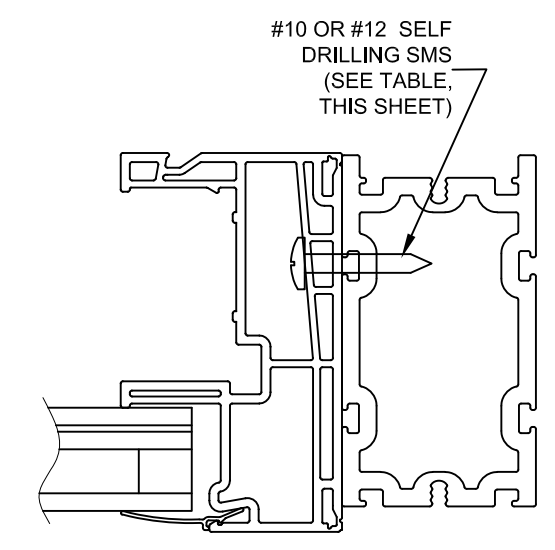
ANTHONY LYNN MILLER
LICENSE
No. 58705
8/18/23
STATE OF FLORIDA
PROFESSIONAL ENGINEER
A. LYNN MILLER, P.E.
P.E.# 58705



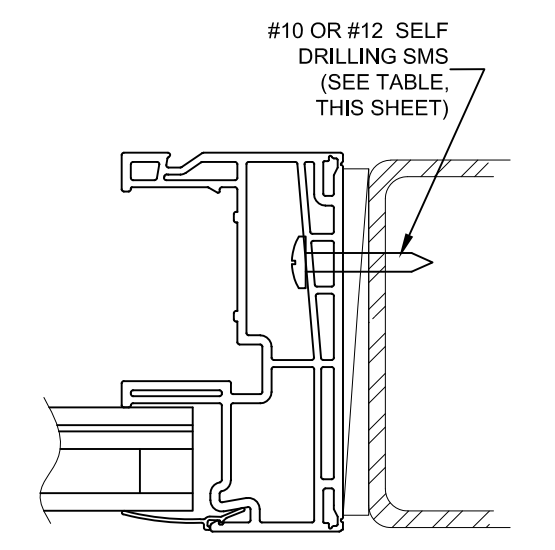
VERTICAL SECTION B-B



HORIZONTAL SECTION A-A



EXTERIOR
↓
INSTALLED INTO APPROVED MULLION, MAY BE VERTICAL OR HORIZONTAL.



EXTERIOR
↓
INSTALLED DIRECTLY INTO APPROVED ALUMINUM, STEEL FRAMING OR STEEL STUD.

- NOTES:**
- 1) USE ONLY SUBSTRATE APPROPRIATE ANCHORS LISTED IN TABLE 3. FOLLOW EMBEDMENT AND EDGE DISTANCE LIMITS. ANY INSTALLATION OPTION SHOWN MAY BE USED ON ANY SIDE OF THE WINDOW.
 - 2) MASONRY ANCHORS MAY BE USED INTO WOOD AS PER TABLE 2. ALL WOOD BUCKS LESS THAN 1-1/2" THICK ARE TO BE CONSIDERED 1X INSTALLATIONS. 1X WOOD BUCKS ARE OPTIONAL IF UNIT IS INSTALLED DIRECTLY TO SUBSTRATE. WOOD BUCKS DEPICTED AS 2X ARE 1-1/2" THICK OR GREATER. 1X AND 2X BUCKS (WHEN USED) SHALL BE DESIGNED TO PROPERLY TRANSFER LOADS TO THE STRUCTURE. WOOD BUCK DESIGN AND INSTALLATION IS THE RESPONSIBILITY OF THE ENGINEER OR ARCHITECT OF RECORD.
 - 3) SEE SHEET 1 FOR ANCHOR SPACING REQUIREMENTS.
 - 4) MAX. SHIM THICKNESS TO BE 1/4".

TABLE 3:

Anchor	Substrate	Minimum Edge Distance	Minimum Embedment
#10 or #12 Steel, 18-8 SS or 410 SS Screw	Southern Pine (SG = .55)	9/16"	1-3/8"
	Aluminum, 6063-T5 min.	3/8"	0.060"
	Steel Stud, Gr. 33 min.	3/8"	0.045" (20 Ga)
	A36 Steel	3/8"	0.050"
3/16" Steel Ultracon+	Concrete (min. 2.9 ksi)	1"	1-3/4"
	Grouted CMU, (ASTM C-90)	1"	2-1/4"
	Ungroated CMU, (ASTM C-90)	2-1/2"	1-1/4"
1/4" Steel Ultracon+	Southern Pine (SG = .55)	1"	1-3/8"
	Concrete (min. 3.0 ksi)	1"	1-3/8"
	Ungroated CMU, (ASTM C-90)	1"	1-1/4"

- 1) ANCHOR MUST EXTEND A MINIMUM OF 3 THREADS BEYOND ANY METAL SUBSTRATE.
- 2) "UNGROUTED CMU" VALUES MAY BE USED FOR GROUTED CMU APPLICATIONS.
- 3) ALL ANCHOR HEAD TYPES ARE APPLICABLE.

Title: VINYL SINGLE HUNG WINDOW (LM)		Drawn By: JENS ROSOWSKI	
Description: EQUAL-LEG INSTALLATION		Date: 03/24/21	
Revision: MINOR EDITORIAL UPDATES		Rev. By: LMY	Rev. Date: 08/17/23
Series/Model: SH3100V	Scale: NTS	Sheet: 3 OF 6	Drawing No.: SH3100FBC-1
		Rev.: A	

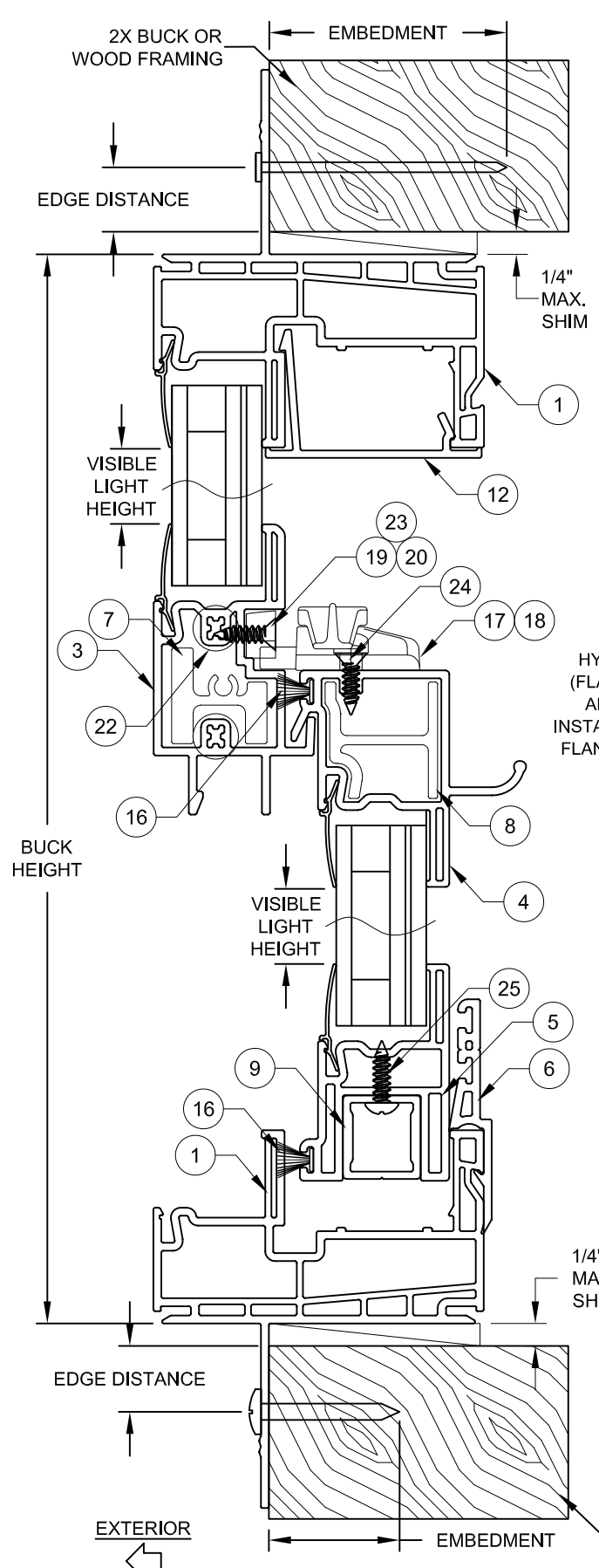
CGI Impact Resistant Windows & Doors

3780 W 104TH STREET
HIALEAH, FL 33018
(305) 593-6590

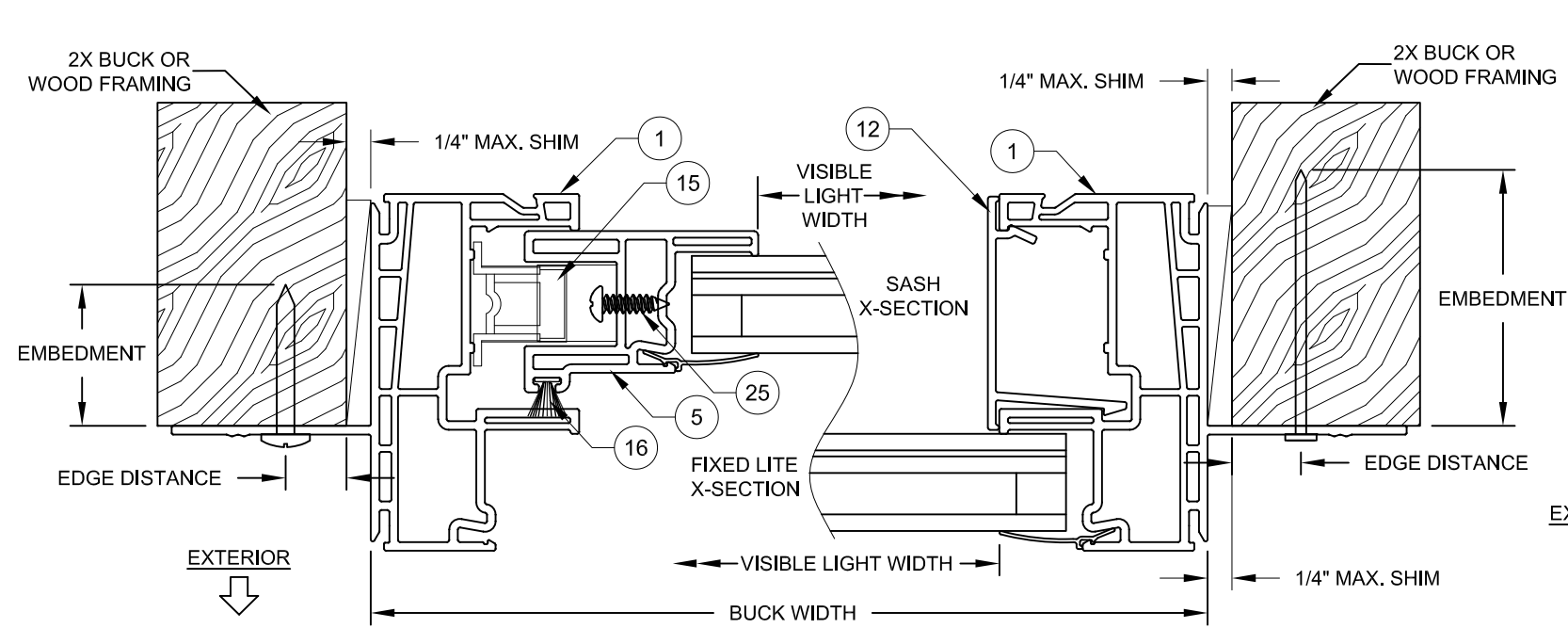
PREPARED BY A. LYNN MILLER
1070 TECHNOLOGY DRIVE
N. VENICE, FL 34275
(941) 480-1600

COPYRIGHT © 2021
CGI WINDOWS AND DOORS, INC.
LIMITED LICENSE TO MAKE
COPIES FOR PERMITTING.
REGISTRATION #29296

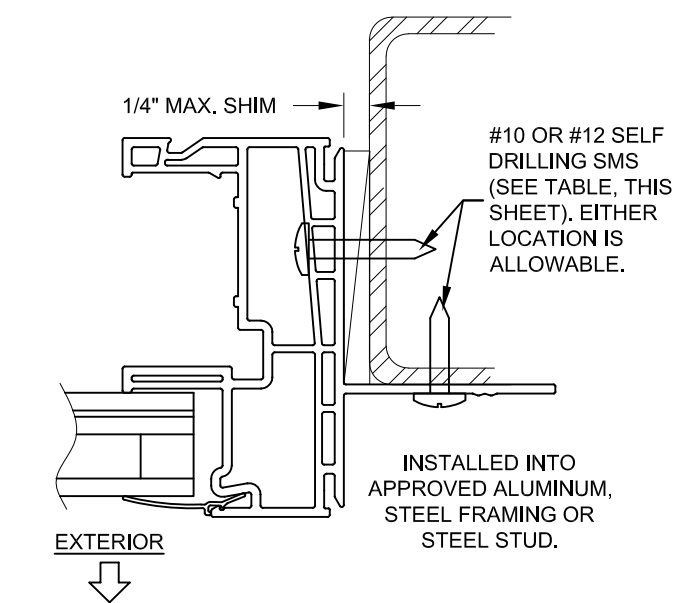
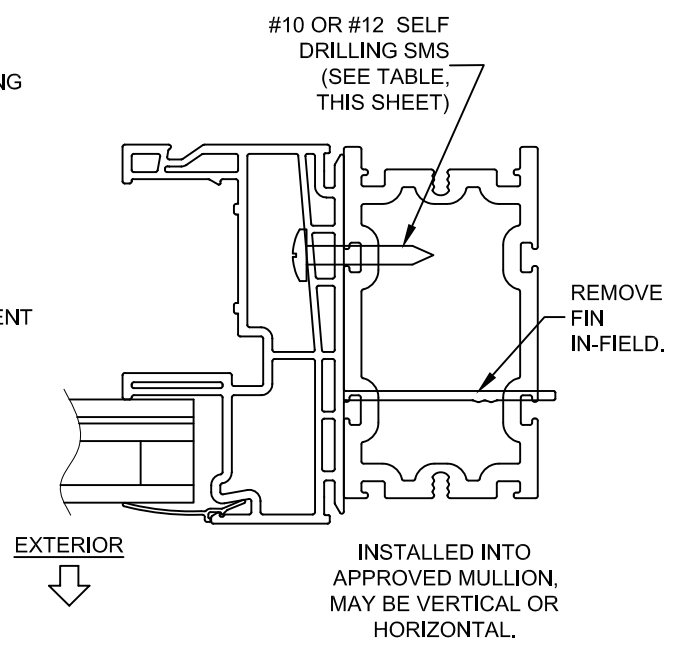
ANTHONY LYNN MILLER
LICENSE
No. 58705
8/18/23
STATE OF FLORIDA
PROFESSIONAL ENGINEER
A. LYNN MILLER, P.E.
P.E.# 58705



VERTICAL SECTION D-D



HORIZONTAL SECTION C-C



HYBRID CONFIGURATIONS (FLANGE FRAME/FIN FRAME) ALLOWED WITH MULLION INSTALLATION, SEE PAGE 2 FOR FLANGE FRAME INSTALLATION DETAILS.

TABLE 4: THROUGH-FIN ANCHORS

Anchor	Substrate	Min. Embedment or Metal Thickness	Min. Edge Distance
2-1/2" x .131" Common Nail	Southern Pine (SG = .55)	2-1/2"	3/8"
2-1/2" x .145" Roofing Nail	Southern Pine (SG = .55)	2-1/2"	3/8"
#10 or #12 Steel, 18-8 SS or 410 SS Screw (G5)	Southern Pine (SG = .55)	1-3/8"	1/2"
	Aluminum, 6063-T5 min	0.125"	3/8"
	Steel Stud, Gr. 33 min.	0.045"	3/8"
	A36 Steel	0.050"	3/8"

- 1) ANCHOR MUST EXTEND A MINIMUM OF 3 THREADS BEYOND ANY METAL SUBSTRATE.
- 2) ALL SCREW HEAD TYPES ARE APPLICABLE.

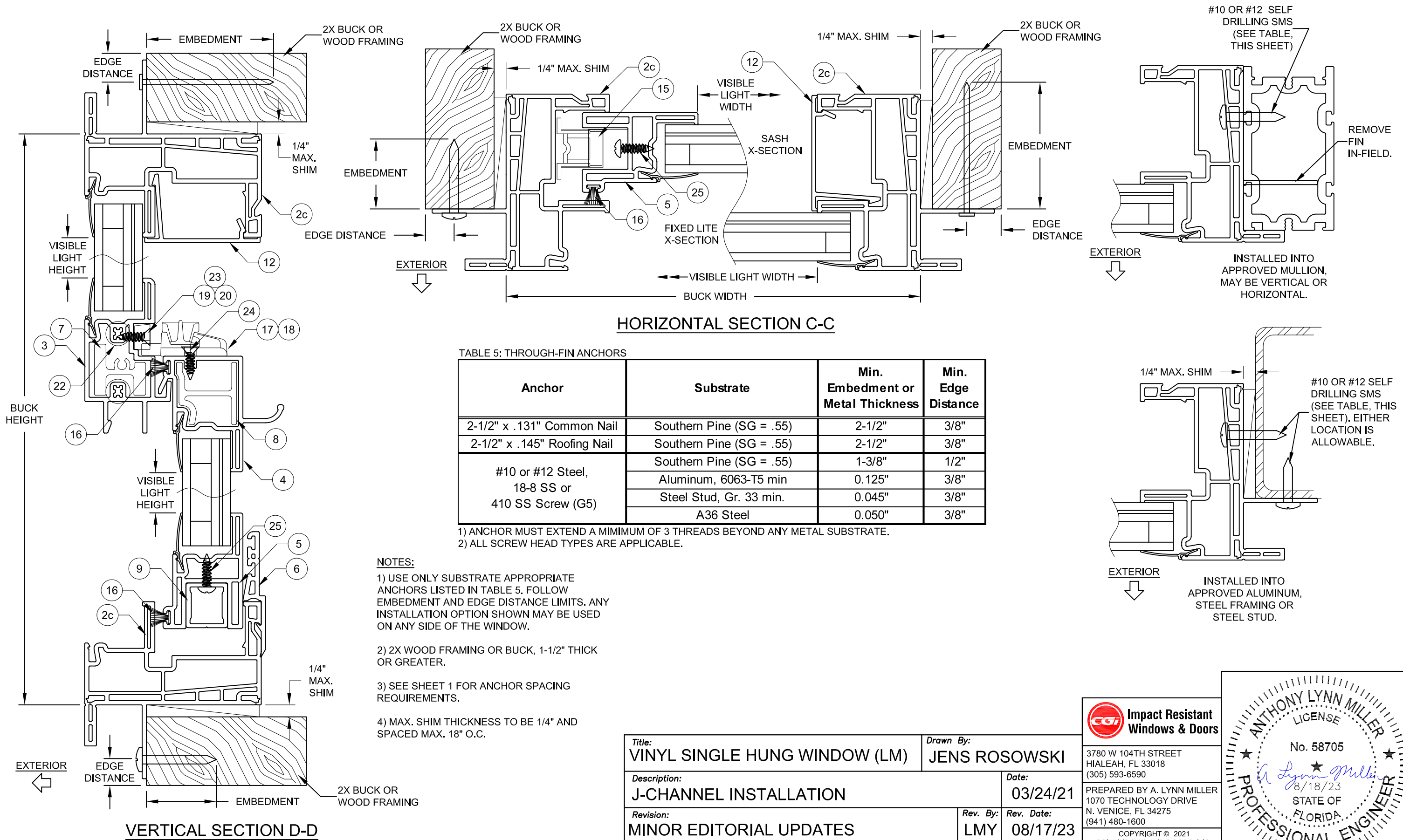
NOTES:

- 1) USE ONLY SUBSTRATE APPROPRIATE ANCHORS LISTED IN TABLE 4. FOLLOW EMBEDMENT AND EDGE DISTANCE LIMITS. ANY INSTALLATION OPTION SHOWN MAY BE USED ON ANY SIDE OF THE WINDOW.
- 2) 2X WOOD FRAMING OR BUCK, 1-1/2" THICK OR GREATER.
- 3) SEE SHEET 1 FOR ANCHOR SPACING REQUIREMENTS.
- 4) MAX. SHIM THICKNESS TO BE 1/4" AND SPACED MAX. 18" O.C.

Title: VINYL SINGLE HUNG WINDOW (LM)		Drawn By: JENS ROSOWSKI	
Description: FIN INSTALLATION		Date: 03/24/21	
Revision: MINOR EDITORIAL UPDATES		Rev. By: LMY	Rev. Date: 08/17/23
Series/Model: SH3100V	Scale: NTS	Sheet: 4 OF 6	Drawing No. SH3100FBC-1
		Rev: A	

CGI Impact Resistant Windows & Doors
 3780 W 104TH STREET
 HIALEAH, FL 33018
 (305) 593-6590
 PREPARED BY A. LYNN MILLER
 1070 TECHNOLOGY DRIVE
 N. VENICE, FL 34275
 (941) 480-1600
 COPYRIGHT © 2021
 CGI WINDOWS AND DOORS, INC.
 LIMITED LICENSE TO MAKE
 COPIES FOR PERMITTING.
 REGISTRATION #29296

ANTHONY LYNN MILLER
 LICENSE
 No. 58705
A. Lynn Miller
 8/18/23
 STATE OF FLORIDA
PROFESSIONAL ENGINEER
 A. LYNN MILLER, P.E.
 P.E.# 58705



HORIZONTAL SECTION C-C

TABLE 5: THROUGH-FIN ANCHORS

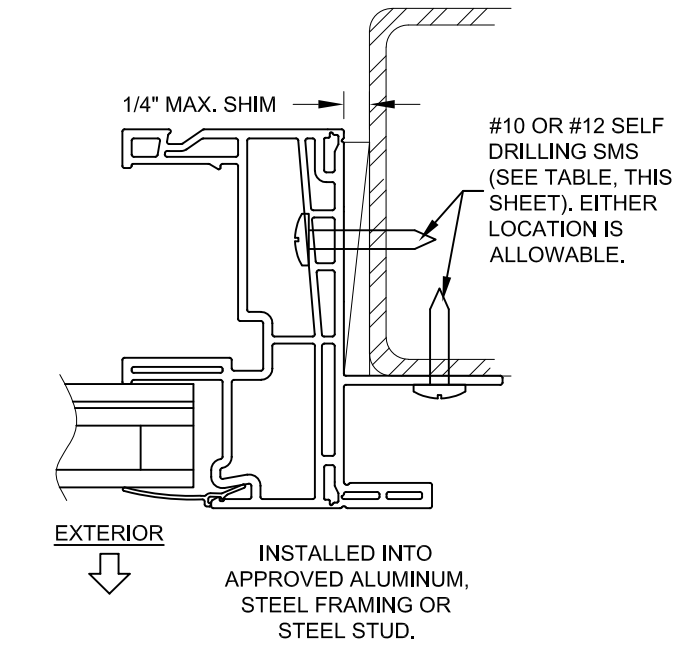
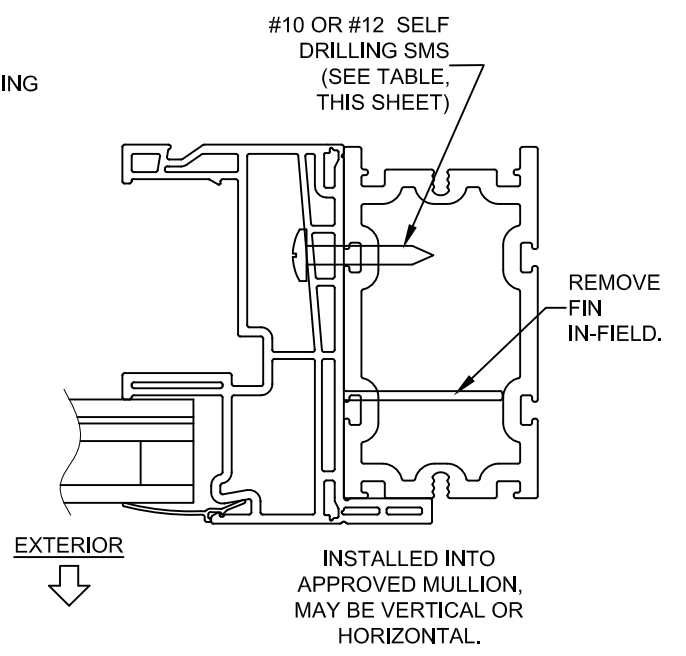
Anchor	Substrate	Min. Embedment or Metal Thickness	Min. Edge Distance
2-1/2" x .131" Common Nail	Southern Pine (SG = .55)	2-1/2"	3/8"
2-1/2" x .145" Roofing Nail	Southern Pine (SG = .55)	2-1/2"	3/8"
#10 or #12 Steel, 18-8 SS or 410 SS Screw (G5)	Southern Pine (SG = .55)	1-3/8"	1/2"
	Aluminum, 6063-T5 min	0.125"	3/8"
	Steel Stud, Gr. 33 min.	0.045"	3/8"
	A36 Steel	0.050"	3/8"

- 1) ANCHOR MUST EXTEND A MINIMUM OF 3 THREADS BEYOND ANY METAL SUBSTRATE.
- 2) ALL SCREW HEAD TYPES ARE APPLICABLE.

NOTES:

- 1) USE ONLY SUBSTRATE APPROPRIATE ANCHORS LISTED IN TABLE 5. FOLLOW EMBEDMENT AND EDGE DISTANCE LIMITS. ANY INSTALLATION OPTION SHOWN MAY BE USED ON ANY SIDE OF THE WINDOW.
- 2) 2X WOOD FRAMING OR BUCK, 1-1/2" THICK OR GREATER.
- 3) SEE SHEET 1 FOR ANCHOR SPACING REQUIREMENTS.
- 4) MAX. SHIM THICKNESS TO BE 1/4" AND SPACED MAX. 18" O.C.

VERTICAL SECTION D-D



Title: VINYL SINGLE HUNG WINDOW (LM)		Drawn By: JENS ROSOWSKI	
Description: J-CHANNEL INSTALLATION		Date: 03/24/21	
Revision: MINOR EDITORIAL UPDATES		Rev. By: LMY	Rev. Date: 08/17/23
Series/Model: SH3100V	Scale: NTS	Sheet: 5 OF 6	Drawing No. SH3100FBC-1
		Rev.:	A

CGI Impact Resistant Windows & Doors
 3780 W 104TH STREET
 HIALEAH, FL 33018
 (305) 593-6590
 PREPARED BY A. LYNN MILLER
 1070 TECHNOLOGY DRIVE
 N. VENICE, FL 34275
 (941) 480-1600
 COPYRIGHT © 2021
 CGI WINDOWS AND DOORS, INC.
 LIMITED LICENSE TO MAKE
 COPIES FOR PERMITTING.
 REGISTRATION #29296

ANTHONY LYNN MILLER
 LICENSE
 No. 58705
A. Lynn Miller
 8/18/23
 STATE OF
 FLORIDA
PROFESSIONAL ENGINEER
 A. LYNN MILLER, P.E.
 P.E.# 58705

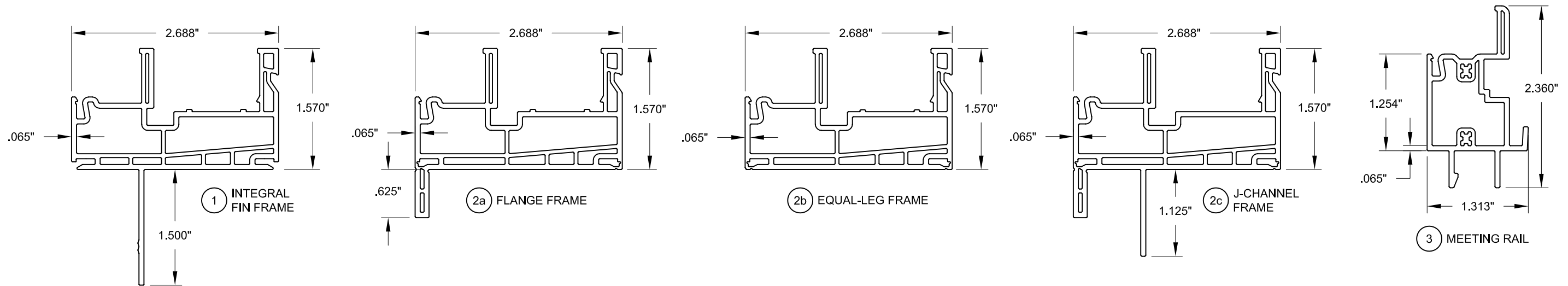
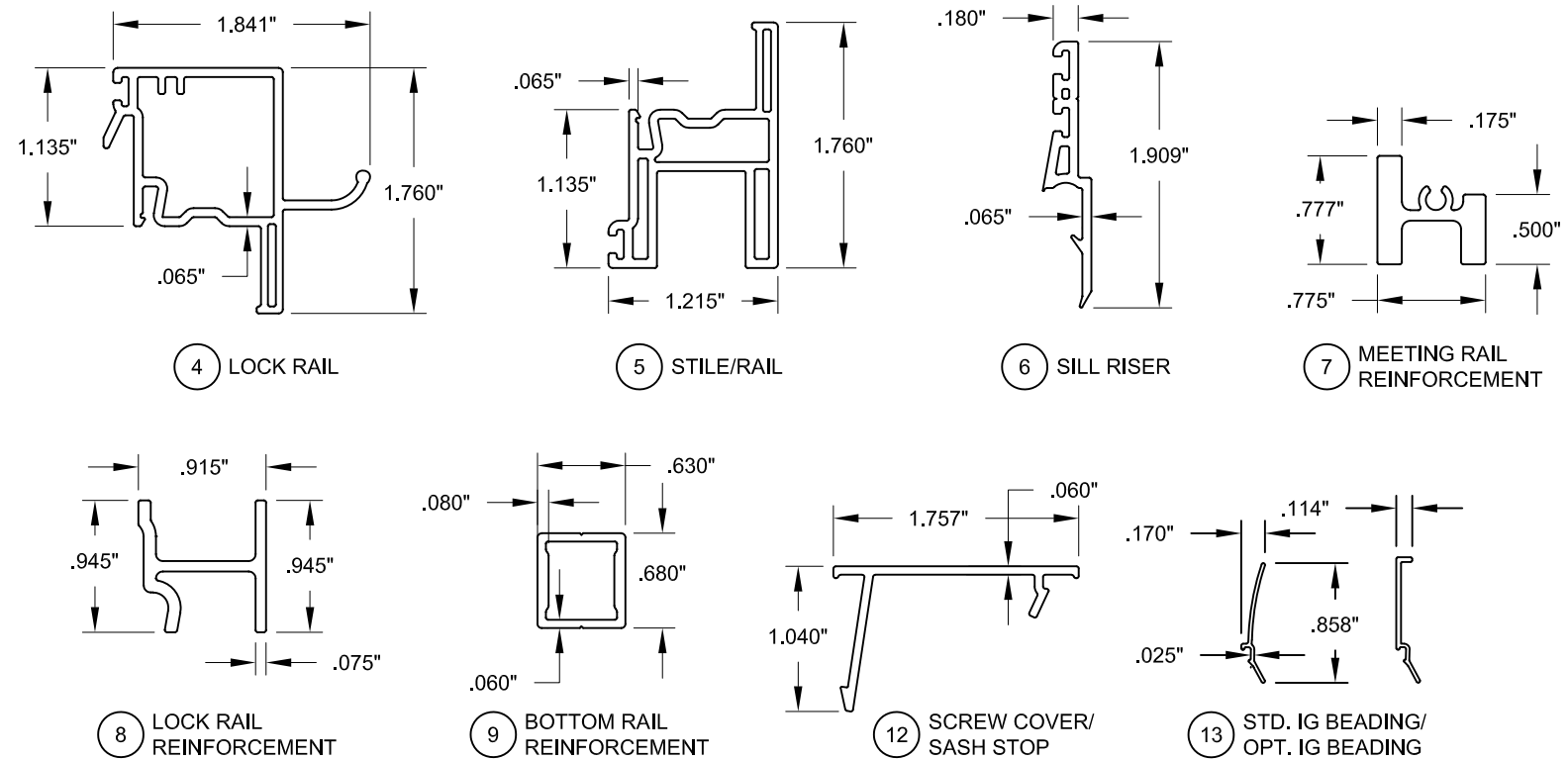


TABLE 6:

Item #	Part #	Description	Material
1	3358	Integral Fin Frame	Rigid PVC
2a	3356	Flange Frame	Rigid PVC
2b	3356	Equal-leg Frame	Rigid PVC
2c	3356	J-Channel Frame	Rigid PVC
3	3360	Meeting Rail	Rigid PVC
4	3365	Lock Rail	Rigid PVC
5	3366	Stile/Rail	Rigid PVC
6	5732	Sill Riser	Rigid PVC
7	6302	Meeting Rail Reinforcement	6063-T6
8	6107	Lock Rail Reinforcement	6063-T6
9	6109	Bottom Rail Reinforcement	6063-T6
12	8395	Screw Cover/Sash Stop	Rigid PVC
13	3190	Std./Opt. IG Beading	Rigid PVC
15	EZ-LIFT	Block and Tackle Balance	
16	4002	Weatherstrip, .187 x .290 fin seal	
17	8111	Cam Lock - Zinc/Metal	Zinc/Metal
18		Cam Lock - Composite Plastic	Composite Plastic
19	8093	Keeper - Zinc/Metal	Zinc/Metal
20		Keeper - Composite	Composite Plastic
21	8160	Sash Cam	Nylon
22	1035	#8 x 1-3/4" Truss Pan SMS	S/S
23	1013	#6 x 3/4" PFH SMS	S/S
24	1033	#6 x 1-1/8" PFH SMS	S/S
25	1004	#6 x 1/2" PPH SMS	S/S
30		Sika 552, Dow 791, 983 or 995 Backbedding	Silicone
31		Setting Block, 1/8" x 3/4" x 2" or 1/8" x 3/4" x 3/4"	
32	varies	Kommerling Kodispace 4SG TPS	varies
		Quanex Super Spacer nXT with Hot Melt Butyl	
		Metal IG Spacer	



Title: VINYL SINGLE HUNG WINDOW (LM)		Drawn By: JENS ROSOWSKI	
Description: EXTRUSIONS AND BOM		Date: 03/24/21	
Revision: MINOR EDITORIAL UPDATES		Rev. By: LMY	Rev. Date: 08/17/23
Series/Model: SH3100V	Scale: NTS	Sheet: 6 OF 6	Drawing No. SH3100FBC-1
		Rev: A	

CGI Impact Resistant Windows & Doors

3780 W 104TH STREET
HIALEAH, FL 33018
(305) 593-6590

PREPARED BY A. LYNN MILLER
1070 TECHNOLOGY DRIVE
N. VENICE, FL 34275
(941) 480-1600

COPYRIGHT © 2021
CGI WINDOWS AND DOORS, INC.
LIMITED LICENSE TO MAKE
COPIES FOR PERMITTING.
REGISTRATION #29296

ANTHONY LYNN MILLER
LICENSE
No. 58705

A. Lynn Miller
8/18/23
STATE OF
FLORIDA
PROFESSIONAL ENGINEER

A. LYNN MILLER, P.E.
P.E.# 58705