

**PW920V FIXED WINDOW,
IMPACT RESISTANT,
FLANGE, EQUAL-LEG & FIN FRAMES**

DP RATING SEE TABLES A-I	LARGE & SMALL MISSILE IMPACT RESISTANT
-----------------------------	--

1) THIS PRODUCT HAS BEEN DESIGNED & TESTED TO COMPLY WITH THE REQUIREMENTS OF THE FLORIDA BUILDING CODE, EXCLUDING THE HIGH VELOCITY HURRICANE ZONE (HVHZ).

2) SHUTTERS ARE NOT REQUIRED WHEN USED IN WIND-BORNE DEBRIS REGIONS.

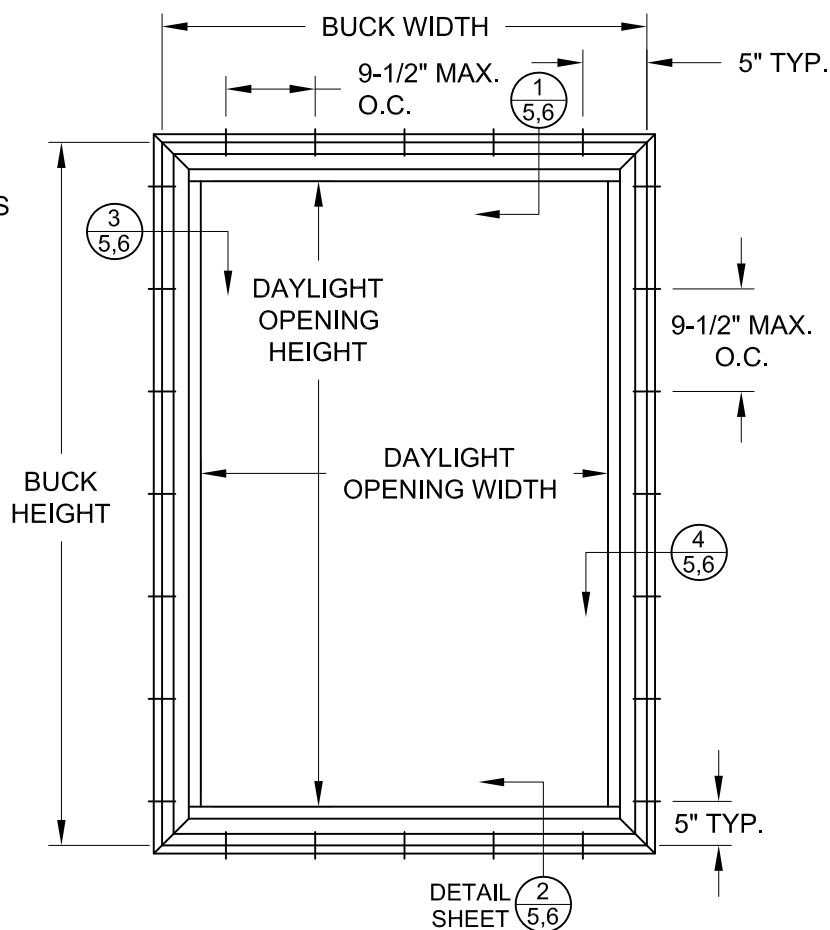
3) MASONRY ANCHORS MAY BE USED INTO WOOD. ALL WOOD BUCKS LESS THAN 1-1/2" THICK ARE TO BE CONSIDERED 1X INSTALLATIONS. 1X WOOD BUCKS ARE OPTIONAL IF UNIT IS INSTALLED DIRECTLY TO SUBSTRATE. WOOD BUCKS DEPICTED AS 2X ARE 1-1/2" THICK OR GREATER.

4) ANCHOR EMBEDMENT TO BASE MATERIAL SHALL BE BEYOND WALL DRESSING OR STUCCO. USE ANCHORS OF SUFFICIENT LENGTH.

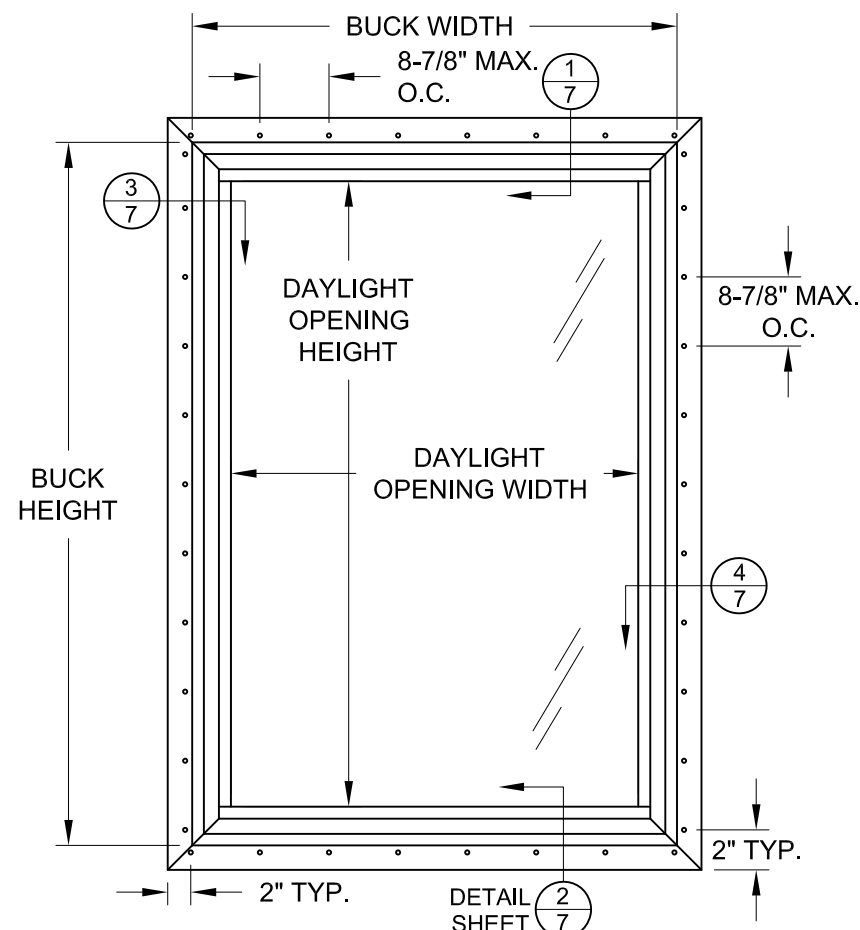
5) MAX. 1/4" SHIMS ARE REQUIRED AT EACH ANCHOR LOCATION WHERE THE PRODUCT IS NOT FLUSH TO THE SUBSTRATE. USE SHIMS CAPABLE OF TRANSFERRING APPLIED LOADS.

6) THE ANCHORAGE METHODS SHOWN HAVE BEEN DESIGNED TO RESIST THE WIND LOADS CORRESPONDING TO THE REQUIRED DESIGN PRESSURE. THE 33-1/3% STRESS INCREASE HAS NOT BEEN USED IN THE DESIGN OF THIS PRODUCT. THE 1.6 LOAD DURATION FACTOR WAS USED FOR THE EVALUATION OF ANCHORS INTO WOOD. ANCHORS THAT COME INTO CONTACT WITH OTHER DISSIMILAR MATERIALS SHALL MEET THE REQUIREMENTS OF THE FLORIDA BUILDING CODE FOR CORROSION RESISTANCE.

7) FLANGES OR INTEGRAL FINNS MAY BE TRIMMED IN-FIELD TO CREATE AN EQUAL-LEG FRAME.

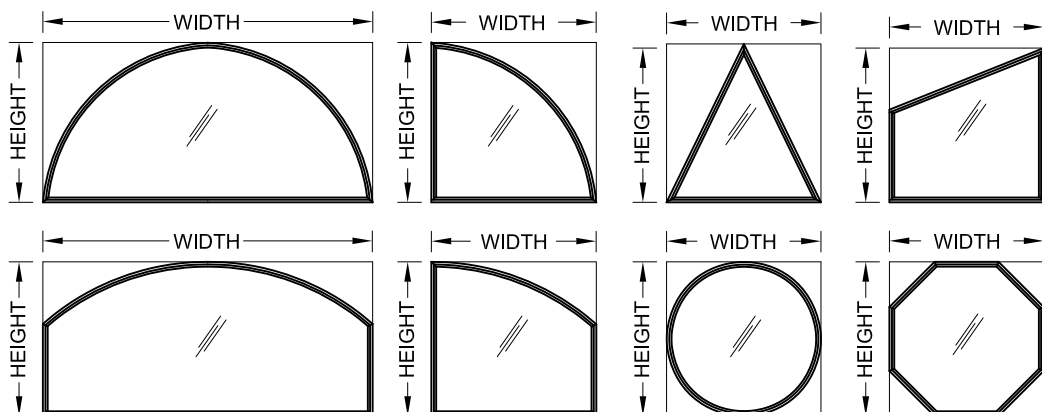


**TYP. ANCHOR LOCATIONS
(FLANGED FRAME, EQUAL-LEG SIM.)**
SEE TABLES A-I FOR SIZES



**TYP. ANCHOR LOCATIONS
(INTEGRAL FIN FRAME)**
SEE TABLES A-I FOR SIZES

SHAPES AS SHOWN BELOW, OR SIMILAR, MAY BE USED BY INSCRIBING THE SHAPE IN A BLOCK AND OBTAINING DESIGN PRESSURES FOR THAT BLOCK SIZE FROM THE TABLES ON SHEETS 2-6.



ALL TEMPERED AND/OR LAMINATED GLASS OPTIONS IN THIS APPROVAL HAVE BEEN CERTIFIED BY THE SGCC FOR COMPLIANCE TO ANSI Z97.1, CLASS A AND CPSC 16 CFR 1201, CATEGORY II. THIS INCLUDES LAMINATED GLASS THAT IS MANUFACTURED WITH ANNEALED GLASS PLYS. FOR APPLICATIONS WHERE THE WINDOW IS BEING USED AS A GUARD, HEAT STRENGTHENED OR TEMPERED LAMINATED GLASS MUST BE USED.

DAYLIGHT OPENING WIDTH = BUCK WIDTH - 4.25
DAYLIGHT OPENING HEIGHT = BUCK HEIGHT - 4.25

Rev.#	08/17/23
Date	08/17/23
MINOR EDITORIAL UPDATES	
Rev.#	A

PREPARED BY A. LYNN MILLER 1070 TECHNOLOGY DRIVE N. VENICE, FL 34275 (941) 480-1600	REGISTRATION #29296 COPYRIGHT © 2023 PGT, INC., LIMITED LICENSE TO MAKE COPIES FOR PERMITTING.	Date 04/17/23	By LOGAN YODER	No. HR920V-FPA-LM
	CGI WINDOWS AND DOORS 3780 W. 104TH STREET HIALEAH, FL 33018	VINYL FIXED WINDOW (LM)	Sheet 1 OF 11	Desc. PW920V

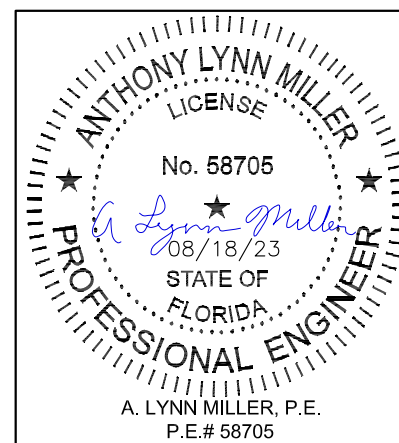


TABLE A:

Window Design Pressure (+/- psf)																						
Glass Type 1: 7/8" LIG: (1/8" A - AIRSPACE - 5/16" A/A .090" PVB)																						
WINDOW DIMENSIONS	Long Side (in.)																					
	48	50	52	54	56	58	60	62	64	66	68	70	72	74	76	78	80	82	84			
Short Side (in.)	18	70.0	70.0	70.0	70.0	70.0	70.0	70.0	70.0	70.0	70.0	70.0	70.0	70.0	70.0	70.0	70.0	70.0	70.0	70.0		
	20	70.0	70.0	70.0	70.0	70.0	70.0	70.0	70.0	70.0	70.0	70.0	70.0	70.0	70.0	70.0	70.0	70.0	70.0	70.0	70.0	
	22	70.0	70.0	70.0	70.0	70.0	70.0	70.0	70.0	70.0	70.0	70.0	70.0	70.0	70.0	70.0	70.0	70.0	70.0	70.0	70.0	
	24	70.0	70.0	70.0	70.0	70.0	70.0	70.0	70.0	70.0	70.0	70.0	70.0	70.0	70.0	70.0	70.0	70.0	70.0	70.0	70.0	70.0
	26	70.0	70.0	70.0	70.0	70.0	70.0	70.0	70.0	70.0	70.0	70.0	70.0	70.0	70.0	70.0	70.0	70.0	70.0	69.6	68.2	
	28	70.0	70.0	70.0	70.0	70.0	70.0	70.0	70.0	70.0	70.0	70.0	70.0	69.0	66.9	65.2	64.1	63.0	62.1	61.3		
	30	70.0	70.0	70.0	70.0	70.0	70.0	70.0	70.0	70.0	70.0	68.2	65.0	63.3	62.0	60.8	59.6	58.4	57.4	56.3		
	32	70.0	70.0	70.0	70.0	70.0	70.0	70.0	70.0	70.0	67.8	64.6	62.4	60.6	58.7	57.0	55.7	54.5				
	34	70.0	70.0	70.0	70.0	70.0	70.0	70.0	67.9	64.8	62.6	60.8	58.8	56.9	54.9							
	36	70.0	70.0	70.0	70.0	70.0	70.0	67.3	64.5	62.7	61.1	59.3	57.4									
	38	70.0	70.0	70.0	70.0	70.0	67.2	64.4	62.5	60.9	59.2											
	40	70.0	70.0	70.0	70.0	67.6	64.6	62.7	60.9													
	42	70.0	70.0	70.0	70.0	68.2	65.0	62.9														
	44	70.0	70.0	70.0	69.2	65.8	63.3															
	46	70.0	70.0	70.0	67.2	64.0																
48	70.0	70.0	68.8	65.2																		

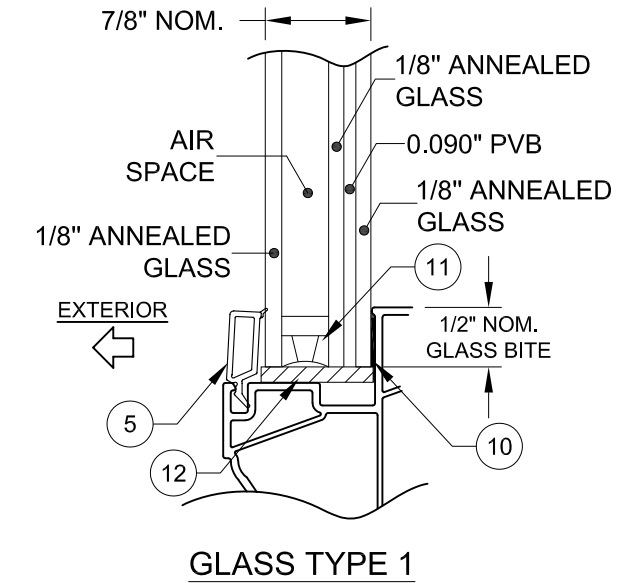
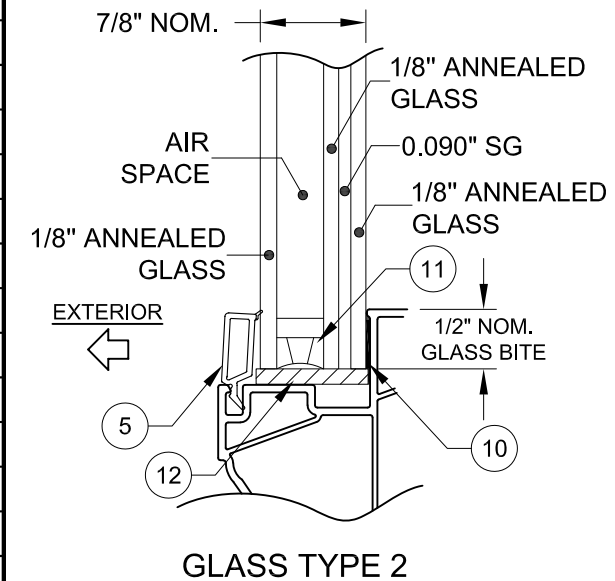


TABLE B:

Window Design Pressure (+/- psf)																						
Glass Type 2: 7/8" LIG: (1/8" A - AIRSPACE - 5/16" A/A .090" SG)																						
WINDOW DIMENSIONS	Long Side (in.)																					
	62	64	66	68	70	72	74	76	78	80	82	84	86	88	90	92	94	96	98			
Short Side (in.)	32	60.0	60.0	60.0	60.0	60.0	60.0	60.0	60.0	60.0	60.0	60.0	60.0	60.0	60.0	60.0	60.0	60.0	60.0	60.0		
	34	60.0	60.0	60.0	60.0	60.0	60.0	60.0	60.0	60.0	60.0	60.0	60.0	60.0	60.0	60.0	60.0	60.0	60.0	60.0	60.0	
	36	60.0	60.0	60.0	60.0	60.0	60.0	60.0	60.0	60.0	60.0	60.0	60.0	60.0	60.0	59.2	58.4	57.6	56.9			
	38	60.0	60.0	60.0	60.0	60.0	60.0	60.0	60.0	60.0	60.0	60.0	60.0	60.0	58.7	57.4	56.3	55.5	54.7	53.9		
	40	60.0	60.0	60.0	60.0	60.0	60.0	60.0	60.0	60.0	60.0	59.6	58.1	56.7	55.2	53.8	52.8	51.9	51.1			
	42	60.0	60.0	60.0	60.0	60.0	60.0	60.0	60.0	60.0	59.4	57.9	56.3	54.8	53.4	52.3	51.2	50.2	49.1			
	44	60.0	60.0	60.0	60.0	60.0	60.0	60.0	59.8	58.6	57.4	56.1	54.7	53.2	52.0	50.9	49.8	48.7	47.6			
	46	60.0	60.0	60.0	60.0	60.0	60.0	59.1	57.8	56.5	55.2	53.9	52.9	51.8	50.8	49.6	48.4	47.3	46.2			
	48	60.0	60.0	60.0	60.0	60.0	58.7	57.3	55.9	54.6	53.3	52.2	51.2	50.2	49.2	48.2	47.2	46.0	44.8			
	50	60.0	60.0	60.0	60.0	59.4	58.3	57.0	55.6	54.1	52.9	51.7	50.6	49.6	48.6	47.5	46.5	45.6	44.6	43.5		
	52	60.0	60.0	60.0	58.7	57.4	56.1	55.0	53.8	52.7	51.4	50.3	49.1	48.0	46.9	45.9	44.9	43.8	43.0			
	54	60.0	59.6	58.1	56.7	55.3	54.1	53.0	52.0	51.1	50.1	48.9	47.7	46.5	45.4	44.3	43.2					
	56	59.4	57.7	56.2	54.7	53.4	52.3	51.2	50.3	49.3	48.4	47.4	46.3	45.1	43.9	42.8						
	58	57.6	55.9	54.3	53.0	51.8	50.7	49.6	48.6	47.6	46.6	45.6	44.7	43.7								
	60	55.9	54.1	52.7	51.5	50.3	49.2	48.0	47.0	45.9	44.9	43.9	43.0									
62	54.1	52.6	51.3	50.1	48.9	47.7	46.5	45.4	44.3	43.2												



NOTES: 1) FOR SIZES NOT SHOWN, ROUND UP TO THE NEXT AVAILABLE WIDTH OR HEIGHT DIMENSION.

Rev.# 08/17/23
Date
MINOR EDITORIAL UPDATES

PREPARED BY A. LYNN MILLER 1070 TECHNOLOGY DRIVE N. VENICE, FL 34275 (941) 480-1600	REGISTRATION #29296 COPYRIGHT © 2023 PGT, INC., LIMITED LICENSE TO MAKE COPIES FOR PERMITTING.	04/17/23 Date	LOGAN YODER By	HR920V-FPA-LM No.
	CGI WINDOWS AND DOORS 3780 W. 104TH STREET HIALEAH, FL 33018	VINYL FIXED WINDOW (LM) Desc.	2 OF 11 Sheet	DP TABLES & GLASS TYPES Title

ANTHONY LYNN MILLER
 LICENSE
 No. 58705
 08/18/23
 STATE OF
 FLORIDA
 PROFESSIONAL ENGINEER
 A. LYNN MILLER, P.E.
 P.E.# 58705

TABLE C:

Window Design Pressure (+/- psf)																				
Glass Type 3: 7/8" LIG: (1/8" T - AIRSPACE - 5/16" A/A .090" PVB)																				
WINDOW DIMENSIONS	Long Side (in.)																			
	48	50	52	54	56	58	60	62	64	66	68	70	72	74	76	78	80	82	84	
Short Side (in.)	18	70.0	70.0	70.0	70.0	70.0	70.0	70.0	70.0	70.0	70.0	70.0	70.0	70.0	70.0	70.0	70.0	70.0	70.0	
	20	70.0	70.0	70.0	70.0	70.0	70.0	70.0	70.0	70.0	70.0	70.0	70.0	70.0	70.0	70.0	70.0	70.0	70.0	
	22	70.0	70.0	70.0	70.0	70.0	70.0	70.0	70.0	70.0	70.0	70.0	70.0	70.0	70.0	70.0	70.0	70.0	70.0	
	24	70.0	70.0	70.0	70.0	70.0	70.0	70.0	70.0	70.0	70.0	70.0	70.0	70.0	70.0	70.0	70.0	70.0	70.0	
	26	70.0	70.0	70.0	70.0	70.0	70.0	70.0	70.0	70.0	70.0	70.0	70.0	70.0	70.0	70.0	70.0	70.0	70.0	
	28	70.0	70.0	70.0	70.0	70.0	70.0	70.0	70.0	70.0	70.0	70.0	70.0	70.0	70.0	70.0	70.0	70.0	69.0	68.1
	30	70.0	70.0	70.0	70.0	70.0	70.0	70.0	70.0	70.0	70.0	70.0	70.0	70.0	68.9	67.5	66.2	64.9	63.8	62.6
	32	70.0	70.0	70.0	70.0	70.0	70.0	70.0	70.0	70.0	70.0	70.0	69.4	67.3	65.2	63.3	61.9	60.6		
	34	70.0	70.0	70.0	70.0	70.0	70.0	70.0	70.0	70.0	70.0	69.6	67.5	65.4	63.2	61.0				
	36	70.0	70.0	70.0	70.0	70.0	70.0	70.0	70.0	70.0	69.7	67.8	65.9	63.7						
	38	70.0	70.0	70.0	70.0	70.0	70.0	70.0	70.0	69.5	67.6	65.8								
	40	70.0	70.0	70.0	70.0	70.0	70.0	70.0	69.6	67.6										
	42	70.0	70.0	70.0	70.0	70.0	70.0	69.2												
	44	70.0	70.0	70.0	70.0	70.0	69.2													
	46	70.0	70.0	70.0	70.0	69.7														
48	70.0	70.0	70.0	70.0																

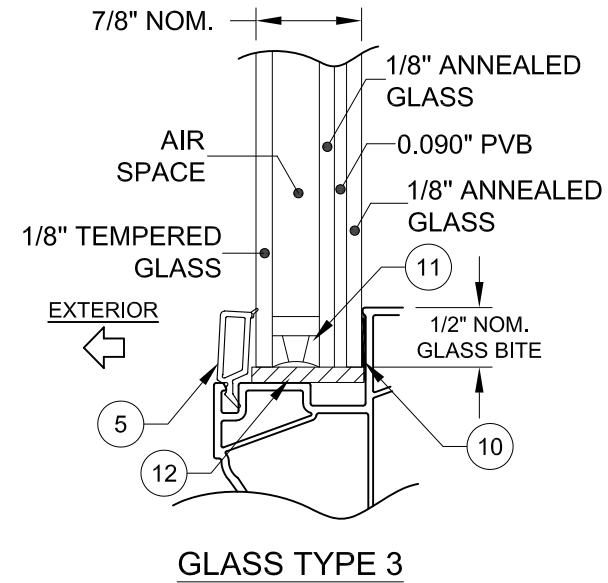
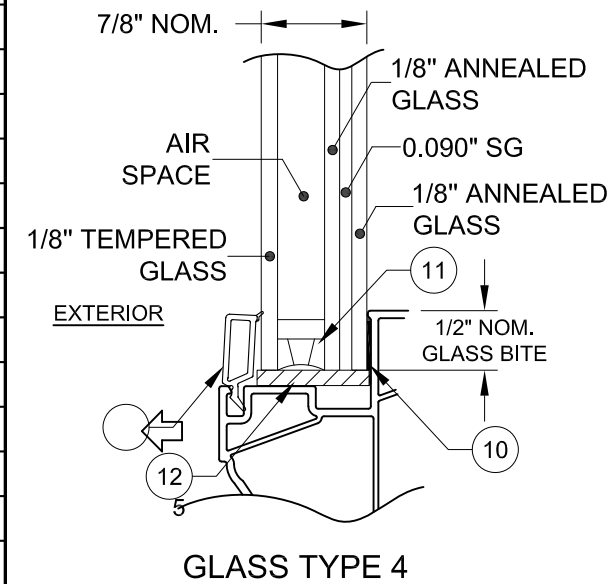


TABLE D:

Window Design Pressure (+/- psf)																				
Glass Type 4: 7/8" LIG: (1/8" T - AIRSPACE - 5/16" A/A .090" SG)																				
WINDOW DIMENSIONS	Long Side (in.)																			
	62	64	66	68	70	72	74	76	78	80	82	84	86	88	90	92	94	96	98	
Short Side (in.)	32	60.0	60.0	60.0	60.0	60.0	60.0	60.0	60.0	60.0	60.0	60.0	60.0	60.0	60.0	60.0	60.0	60.0	60.0	
	34	60.0	60.0	60.0	60.0	60.0	60.0	60.0	60.0	60.0	60.0	60.0	60.0	60.0	60.0	60.0	60.0	60.0	60.0	
	36	60.0	60.0	60.0	60.0	60.0	60.0	60.0	60.0	60.0	60.0	60.0	60.0	60.0	60.0	60.0	60.0	60.0	60.0	
	38	60.0	60.0	60.0	60.0	60.0	60.0	60.0	60.0	60.0	60.0	60.0	60.0	60.0	60.0	60.0	60.0	60.0	60.0	
	40	60.0	60.0	60.0	60.0	60.0	60.0	60.0	60.0	60.0	60.0	60.0	60.0	60.0	60.0	59.8	58.6	57.6	56.8	
	42	60.0	60.0	60.0	60.0	60.0	60.0	60.0	60.0	60.0	60.0	60.0	60.0	60.0	59.3	58.1	56.9	55.7	54.5	
	44	60.0	60.0	60.0	60.0	60.0	60.0	60.0	60.0	60.0	60.0	60.0	60.0	59.2	57.8	56.6	55.3	54.1	52.9	
	46	60.0	60.0	60.0	60.0	60.0	60.0	60.0	60.0	60.0	60.0	59.9	58.7	57.6	56.4	55.1	53.8	52.6	51.3	
	48	60.0	60.0	60.0	60.0	60.0	60.0	60.0	60.0	60.0	59.2	58.0	56.9	55.8	54.7	53.6	52.4	51.1	49.8	
	50	60.0	60.0	60.0	60.0	60.0	60.0	60.0	60.0	58.7	57.5	56.3	55.1	54.0	52.8	51.7	50.6	49.6	48.3	
	52	60.0	60.0	60.0	60.0	60.0	60.0	60.0	59.8	58.5	57.1	55.9	54.6	53.4	52.1	51.0	49.8	48.7	47.7	
	54	60.0	60.0	60.0	60.0	60.0	60.0	58.9	57.8	56.8	55.6	54.3	52.9	51.7	50.4	49.2	48.0			
	56	60.0	60.0	60.0	60.0	59.3	58.1	56.9	55.9	54.8	53.7	52.7	51.4	50.1	48.8	47.6				
	58	60.0	60.0	60.0	58.8	57.6	56.3	55.1	54.0	52.8	51.8	50.7	49.6	48.5						
	60	60.0	60.0	58.5	57.2	55.9	54.6	53.4	52.2	51.0	49.8	48.7	47.8							
62	60.0	58.5	57.0	55.7	54.3	52.9	51.7	50.4	49.3	48.0										



NOTES: 1) FOR SIZES NOT SHOWN, ROUND UP TO THE NEXT AVAILABLE WIDTH OR HEIGHT DIMENSION.

Rev.# 08/17/23
Date 08/17/23
MINOR EDITORIAL UPDATES

PREPARED BY A. LYNN MILLER 1070 TECHNOLOGY DRIVE N. VENICE, FL 34275 (941) 480-1600	REGISTRATION #29296 COPYRIGHT © 2023 PGT, INC., LIMITED LICENSE TO MAKE COPIES FOR PERMITTING.	04/17/23 Date	LOGAN YODER By	HR920V-FPA-LM No.
	VINYL FIXED WINDOW (LM) Title	3 OF 11 Sheet	PW920V Desc.	DP TABLES & GLASS TYPES Title

Impact Resistant Windows & Doors

CGI WINDOWS AND DOORS
 3780 W. 104TH STREET
 HIALEAH, FL 33018

ANTHONY LYNN MILLER
 LICENSE
 No. 58705
 08/18/23
 STATE OF FLORIDA
 PROFESSIONAL ENGINEER
 A. LYNN MILLER, P.E.
 P.E.# 58705

TABLE E:

Window Design Pressure (+/- psf)																					
Glass Type 5: 7/8" LIG: (1/8" A - AIRSPACE - 5/16" A/A .105" PVB) Flange & Equal LEG Frames ONLY																					
WINDOW DIMENSIONS	Long Side (in.)																				
	41.5	42	44	46	48	50	52	54	56	58	60	62	64	66	68	70	72	74	76		
Short Side (in.)	18	85.0	85.0	85.0	85.0	85.0	85.0	85.0	85.0	85.0	85.0	85.0	85.0	85.0	85.0	85.0	85.0	85.0	85.0	85.0	
	20	85.0	85.0	85.0	85.0	85.0	85.0	85.0	85.0	85.0	85.0	85.0	85.0	85.0	85.0	85.0	85.0	85.0	85.0	85.0	
	22	85.0	85.0	85.0	85.0	85.0	85.0	85.0	85.0	85.0	85.0	85.0	85.0	85.0	85.0	85.0	85.0	85.0	85.0	85.0	
	24	85.0	85.0	85.0	85.0	85.0	85.0	85.0	85.0	85.0	85.0	85.0	85.0	85.0	85.0	85.0	85.0	84.4			
	26	85.0	85.0	85.0	85.0	85.0	85.0	85.0	85.0	85.0	85.0	85.0	85.0	84.9	81.9						
	28	85.0	85.0	85.0	85.0	85.0	85.0	85.0	85.0	85.0	85.0	85.0									
	30	85.0	85.0	85.0	85.0	85.0	85.0	85.0	85.0	85.0											
	32	85.0	85.0	85.0	85.0	85.0	85.0	85.0	84.9												
	34	85.0	85.0	85.0	85.0	85.0	85.0														
	36	85.0	85.0	85.0	85.0	85.0															
	38	85.0	85.0	85.0																	
	40	85.0	85.0																		
41.5	85.0																				

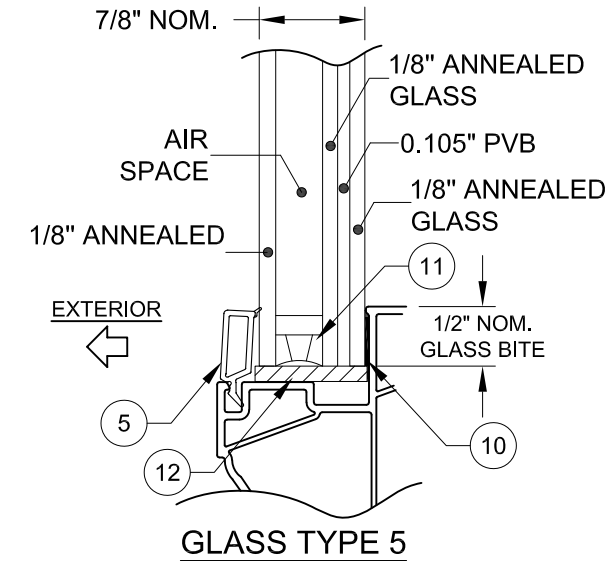
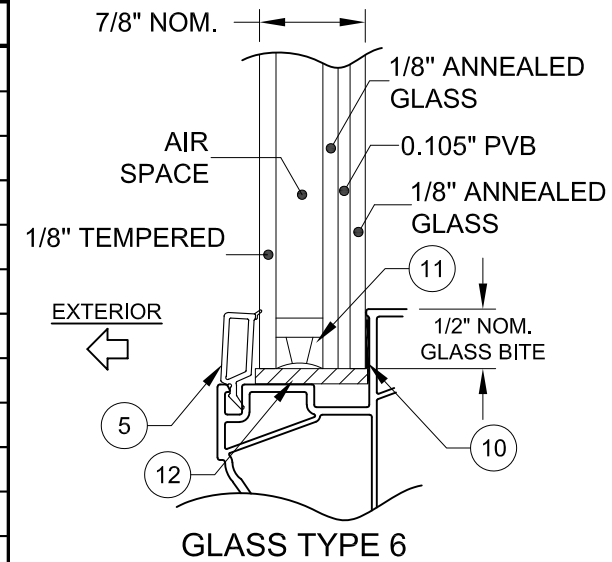


TABLE F:

Window Design Pressure (+/- psf)																					
Glass Type 6: 7/8" LIG: (1/8" T - AIRSPACE - 5/16" A/A .105" PVB) Flange & Equal Leg Frames ONLY																					
WINDOW DIMENSIONS	Long Side (in.)																				
	41.5	42	44	46	48	50	52	54	56	58	60	62	64	66	68	70	72	74	76		
Short Side (in.)	18	85.0	85.0	85.0	85.0	85.0	85.0	85.0	85.0	85.0	85.0	85.0	85.0	85.0	85.0	85.0	85.0	85.0	85.0	85.0	
	20	85.0	85.0	85.0	85.0	85.0	85.0	85.0	85.0	85.0	85.0	85.0	85.0	85.0	85.0	85.0	85.0	85.0	85.0	85.0	
	22	85.0	85.0	85.0	85.0	85.0	85.0	85.0	85.0	85.0	85.0	85.0	85.0	85.0	85.0	85.0	85.0	85.0	85.0	85.0	
	24	85.0	85.0	85.0	85.0	85.0	85.0	85.0	85.0	85.0	85.0	85.0	85.0	85.0	85.0	85.0	85.0	85.0	85.0	85.0	
	26	85.0	85.0	85.0	85.0	85.0	85.0	85.0	85.0	85.0	85.0	85.0	85.0	85.0	85.0	85.0	85.0	85.0	85.0	85.0	
	28	85.0	85.0	85.0	85.0	85.0	85.0	85.0	85.0	85.0	85.0	85.0									
	30	85.0	85.0	85.0	85.0	85.0	85.0	85.0	85.0	85.0											
	32	85.0	85.0	85.0	85.0	85.0	85.0	85.0	84.9												
	34	85.0	85.0	85.0	85.0	85.0	85.0														
	36	85.0	85.0	85.0	85.0	85.0															
	38	85.0	85.0	85.0																	
	40	85.0	85.0																		
41.5	85.0																				



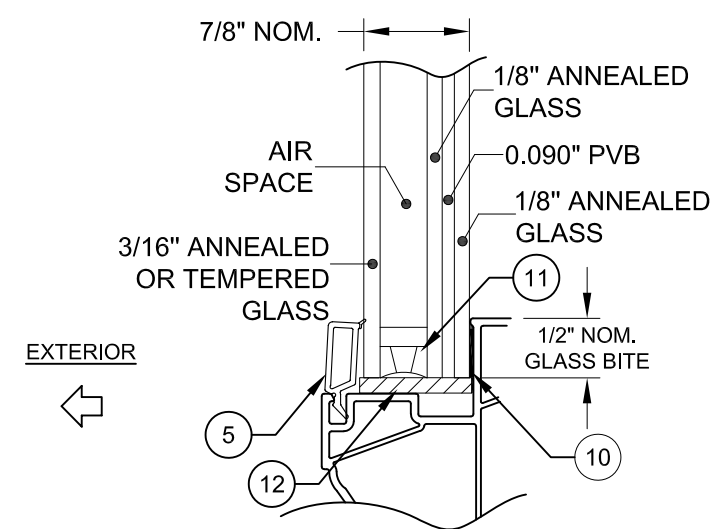
NOTES: 1) FOR SIZES NOT SHOWN, ROUND UP TO THE NEXT AVAILABLE WIDTH OR HEIGHT DIMENSION.

Rev.# 08/17/23
Date 08/17/23
MINOR EDITORIAL UPDATES

PREPARED BY A. LYNN MILLER 1070 TECHNOLOGY DRIVE N. VENICE, FL 34275 (941) 480-1600	REGISTRATION #29296	04/17/23	LOGAN YODER Drawn By	HR920V-FPA-LM No.
	COPYRIGHT © 2023 PGT, INC., LIMITED LICENSE TO MAKE COPIES FOR PERMITTING.	VINYL FIXED WINDOW (LM) Date		

TABLE G:

Window Design Pressure (+/- psf)																	
Glass Type 7: 7/8" LIG: (3/16" A - AIRSPACE - 5/16" A/A .090 PVB)																	
Glass Type 8: 7/8" LIG: (3/16" T - AIRSPACE - 5/16" A/A .090 PVB)																	
WINDOW DIMENSIONS	Long Side (in.)																
	54	56	58	60	62	64	66	68	70	72	74	76	78	80	82	84	
Short Side (in.)	30	70.0	70.0	70.0	70.0	70.0	70.0	70.0	70.0	70.0	70.0	70.0	70.0	70.0	70.0	70.0	70.0
	32	70.0	70.0	70.0	70.0	70.0	70.0	70.0	70.0	70.0	70.0	70.0	70.0	70.0			
	34	70.0	70.0	70.0	70.0	70.0	70.0	70.0	70.0	70.0	70.0	70.0					
	36	70.0	70.0	70.0	70.0	70.0	70.0	70.0	70.0	70.0							
	38	70.0	70.0	70.0	70.0	70.0	70.0	69.8	69.0								
	40	70.0	70.0	70.0	70.0	69.8	68.7										
	42	70.0	70.0	70.0	69.2												
	44	70.0	70.0	69.2													
	46	70.0	69.7														
48	70.0																



GLASS TYPE 7 (WITH ANNEALED CAP)
GLASS TYPE 8 (WITH TEMPERED CAP)

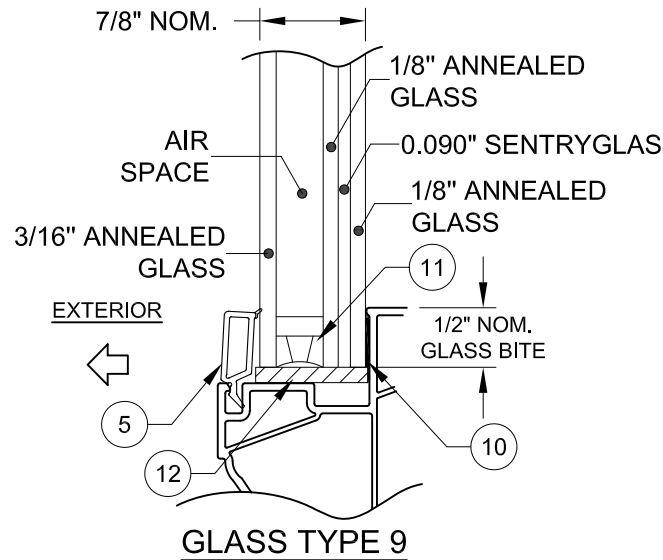
NOTES: 1) FOR SIZES NOT SHOWN, ROUND UP TO THE NEXT AVAILABLE WIDTH OR HEIGHT DIMENSION.

Impact Resistant Windows & Doors CGI WINDOWS AND DOORS 3780 W. 104TH STREET HIALEAH, FL 33018	PREPARED BY A. LYNN MILLER 1070 TECHNOLOGY DRIVE N. VENICE, FL 34275 (941) 480-1600	REGISTRATION #29296 COPYRIGHT © 2023 PGT, INC., LIMITED LICENSE TO MAKE COPIES FOR PERMITTING.	04/17/23 Date	LOGAN YODER Drawn By	HR920V-FPA-LM No.
	VINYL FIXED WINDOW (LM) Title	5 OF 11 Sheet	DP TABLES & GLASS TYPES Desc.	PW920V Series	5 OF 11 Sheet

ANTHONY LYNN MILLER
LICENSE
No. 58705
08/18/23
STATE OF FLORIDA
PROFESSIONAL ENGINEER
A. LYNN MILLER, P.E.
P.E.# 58705

TABLE H:

Window Design Pressure (+/- psf)																										
Glass Type 9: 7/8" LIG: (3/16" A - AIRSPACE - 5/16" A/A .090" SG)																										
WINDOW DIMENSIONS	Long Side (in.)																									
	70.875	72	74	76	78	80	82	84	86	88	90	92	94	96	98	100	102	104	106	108	110	112	114	116	118	120
40	60.0	60.0	60.0	60.0	60.0	60.0	60.0	60.0	60.0	60.0	60.0	60.0	60.0	60.0	60.0	60.0	60.0	60.0	59.0	58.0	57.0	55.8	54.8	53.8	53.0	52.4
42	60.0	60.0	60.0	60.0	60.0	60.0	60.0	60.0	60.0	60.0	60.0	60.0	60.0	60.0	60.0	60.0	60.0	58.8	57.3	55.8	54.2	53.1	52.2	51.4	50.8	50.0
44	60.0	60.0	60.0	60.0	60.0	60.0	60.0	60.0	60.0	60.0	60.0	60.0	60.0	60.0	60.0	60.0	59.9	58.0	56.3	54.7	53.2	52.1	51.1			
46	60.0	60.0	60.0	60.0	60.0	60.0	60.0	60.0	60.0	60.0	60.0	60.0	60.0	60.0	60.0	60.0	59.9	58.2	56.4	54.6						
48	60.0	60.0	60.0	60.0	60.0	60.0	60.0	60.0	60.0	60.0	60.0	60.0	60.0	60.0	60.0	59.8	58.4	57.5								
50	60.0	60.0	60.0	60.0	60.0	60.0	60.0	60.0	60.0	60.0	60.0	60.0	60.0	60.0	59.5	58.3										
52	60.0	60.0	60.0	60.0	60.0	60.0	60.0	60.0	60.0	60.0	60.0	60.0	60.0	58.8												
54	60.0	60.0	60.0	60.0	60.0	60.0	60.0	60.0	60.0	60.0	60.0	59.1														
56	60.0	60.0	60.0	60.0	60.0	60.0	60.0	60.0	60.0	60.0	58.6															
58	60.0	60.0	60.0	60.0	60.0	60.0	60.0	60.0	59.8																	
60	60.0	60.0	60.0	60.0	60.0	60.0	60.0	58.8																		
62	60.0	60.0	60.0	60.0	60.0	59.1																				
64	60.0	60.0	60.0	60.0	58.6																					
66	60.0	60.0	59.7	58.3																						
68	60.0	59.6	58.1																							
70	58.9	58.1																								
70.875	58.3																									



NOTES: 1) FOR SIZES NOT SHOWN, ROUND UP TO THE NEXT AVAILABLE WIDTH OR HEIGHT DIMENSION.

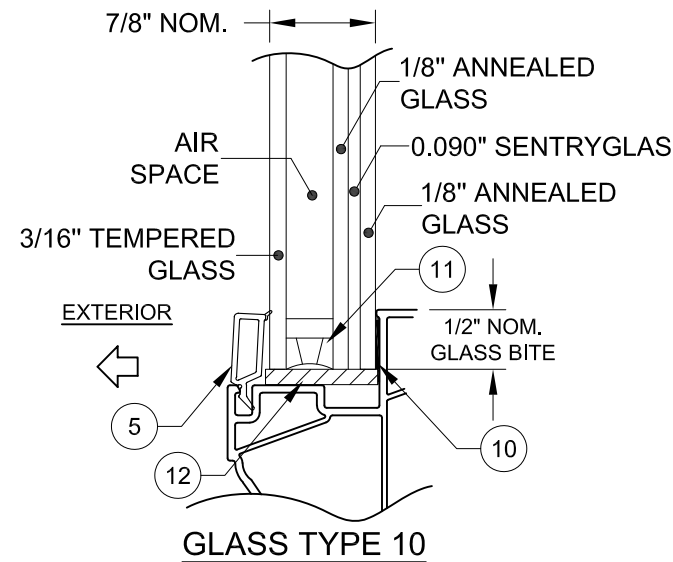
Rev. # 08/17/23
Date
MINOR EDITORIAL UPDATES
Rev.

Impact Resistant Windows & Doors CGI WINDOWS AND DOORS 3780 W. 104TH STREET HIALEAH, FL 33018 (941) 480-1600	PREPARED BY A. LYNN MILLER 1070 TECHNOLOGY DRIVE N. VENICE, FL 34275 (941) 480-1600	REGISTRATION #29296 COPYRIGHT © 2023 PGT, INC., LIMITED LICENSE TO MAKE COPIES FOR PERMITTING.	04/17/23 Date
	VINYL FIXED WINDOW (LM)	LOGAN YODER Drawn By	HR920V-FPA-LM No.
6 OF 11 Sheet	PW920V Series	DP TABLES & GLASS TYPES Desc.	Title

ANTHONY LYNN MILLER
 LICENSE
 No. 58705
 08/18/23
 STATE OF FLORIDA
 PROFESSIONAL ENGINEER
 A. LYNN MILLER, P.E.
 P.E.# 58705

TABLE I

Window Design Pressure (+/- psf)																											
Glass Type 10: 7/8" LIG: (3/16" T- AIRSPACE - 5/16" A/A .090" SG)																											
WINDOW DIMENSIONS	Long Side (in.)																										
	70.875	72	74	76	78	80	82	84	86	88	90	92	94	96	98	100	102	104	106	108	110	112	114	116	118	120	
40	60.0	60.0	60.0	60.0	60.0	60.0	60.0	60.0	60.0	60.0	60.0	60.0	60.0	60.0	60.0	60.0	60.0	60.0	60.0	60.0	60.0	60.0	60.0	60.0	60.0	60.0	60.0
42	60.0	60.0	60.0	60.0	60.0	60.0	60.0	60.0	60.0	60.0	60.0	60.0	60.0	60.0	60.0	60.0	60.0	60.0	60.0	60.0	60.0	60.0	60.0	60.0	60.0	60.0	60.0
44	60.0	60.0	60.0	60.0	60.0	60.0	60.0	60.0	60.0	60.0	60.0	60.0	60.0	60.0	60.0	60.0	60.0	60.0	60.0	60.0	60.0	60.0	60.0	60.0			
46	60.0	60.0	60.0	60.0	60.0	60.0	60.0	60.0	60.0	60.0	60.0	60.0	60.0	60.0	60.0	60.0	60.0	60.0	60.0	60.0	60.0						
48	60.0	60.0	60.0	60.0	60.0	60.0	60.0	60.0	60.0	60.0	60.0	60.0	60.0	60.0	60.0	60.0	60.0										
50	60.0	60.0	60.0	60.0	60.0	60.0	60.0	60.0	60.0	60.0	60.0	60.0	60.0	60.0	60.0	60.0											
52	60.0	60.0	60.0	60.0	60.0	60.0	60.0	60.0	60.0	60.0	60.0	60.0	60.0	60.0													
54	60.0	60.0	60.0	60.0	60.0	60.0	60.0	60.0	60.0	60.0	60.0	60.0															
56	60.0	60.0	60.0	60.0	60.0	60.0	60.0	60.0	60.0	60.0	60.0																
58	60.0	60.0	60.0	60.0	60.0	60.0	60.0	60.0	60.0																		
60	60.0	60.0	60.0	60.0	60.0	60.0	60.0	60.0																			
62	60.0	60.0	60.0	60.0	60.0	60.0																					
64	60.0	60.0	60.0	60.0	60.0																						
66	60.0	60.0	60.0	60.0																							
68	60.0	60.0	60.0																								
70	60.0	60.0																									
70.875	60.0																										



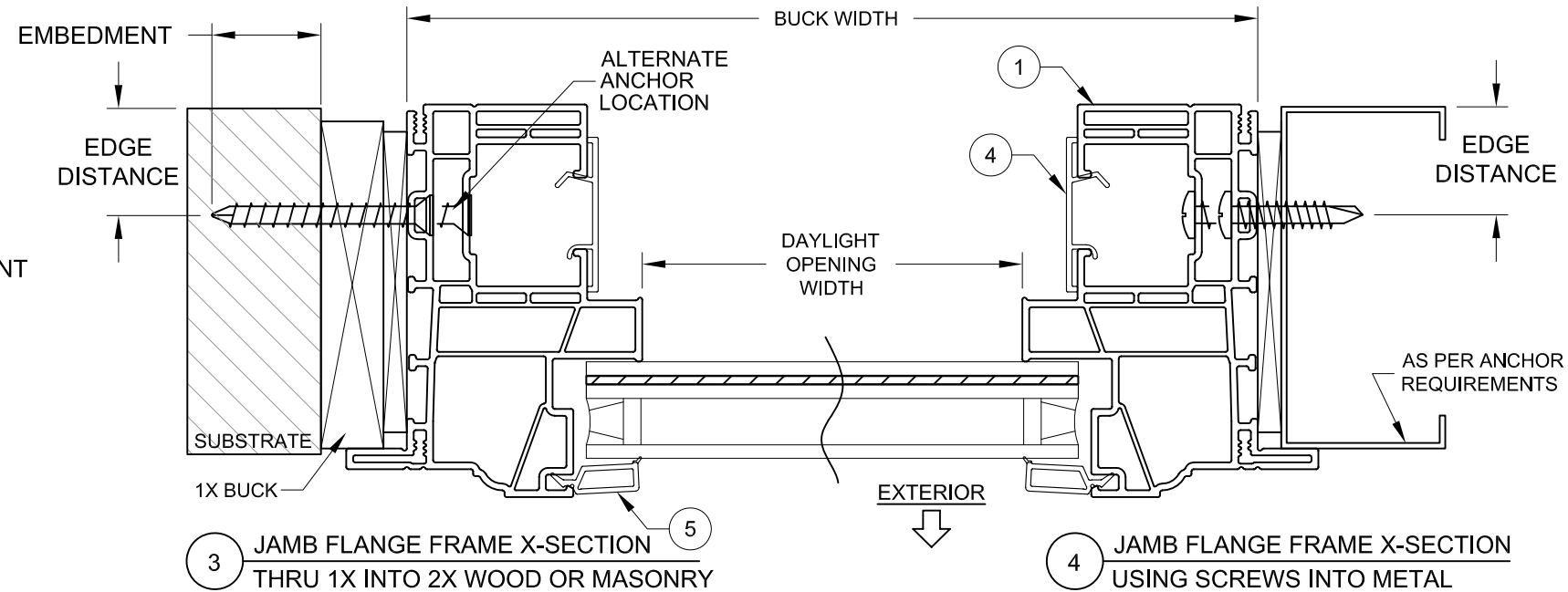
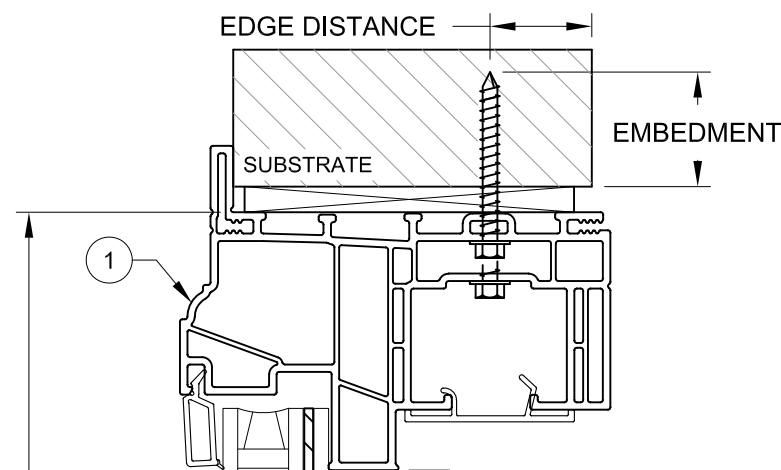
NOTES: 1) FOR SIZES NOT SHOWN, ROUND UP TO THE NEXT AVAILABLE WIDTH OR HEIGHT DIMENSION.

Rev. # 08/17/23
Date
MINOR EDITORIAL UPDATES
Rev.

Impact Resistant Windows & Doors CGI WINDOWS AND DOORS 3780 W. 104TH STREET HIALEAH, FL 33018	PREPARED BY A. LYNN MILLER 1070 TECHNOLOGY DRIVE N. VENICE, FL 34275 (941) 480-1600	REGISTRATION #29296 COPYRIGHT © 2023 PGT, INC., LIMITED LICENSE TO MAKE COPIES FOR PERMITTING.	04/17/23 Date
	VINYL FIXED WINDOW (LM)	LOGAN YODER By	HR920V-FPA-LM No.
7 OF 11 Sheet	PW920V Desc.	DP TABLES & GLASS TYPES Title	

ANTHONY LYNN MILLER
 LICENSE
 No. 58705
 08/18/23
 STATE OF FLORIDA
 PROFESSIONAL ENGINEER
 A. LYNN MILLER, P.E.
 P.E.# 58705

1 HEAD FLANGE FRAME X-SECTION INTO 2X WOOD OR MASONRY



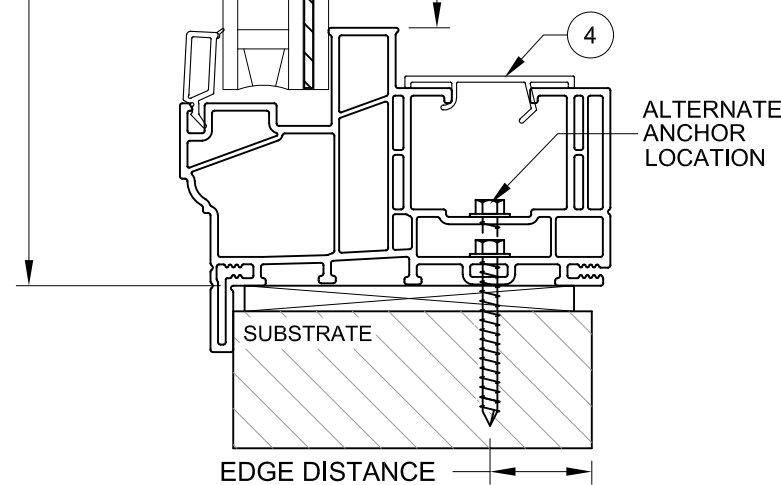
3 JAMB FLANGE FRAME X-SECTION THRU 1X INTO 2X WOOD OR MASONRY

4 JAMB FLANGE FRAME X-SECTION USING SCREWS INTO METAL

BUCK HEIGHT

DAYLIGHT OPENING HEIGHT

EXTERIOR



2 SILL FLANGE FRAME X-SECTION INTO 2X WOOD OR MASONRY

TABLE 2: INSTALLATION ANCHORS

Anchor	Substrate	Minimum Edge Distance	Minimum Embedment
#10 or #12 Steel or 410 SS Screw	Southern Pine (SG = .55)	9/16"	1-3/8"
	Aluminum, 6063-T5 min.	3/8"	0.050"
	Steel Stud, Gr. 33 min.	3/8"	0.045" (20 Ga)
	A36 Steel	3/8"	0.050"
3/16" Steel Ultracon+	Concrete (min. 2.9 ksi)	1"	1-3/4"
	UngROUTED CMU, (ASTM C-90)	1"	1-1/4"
	Southern Pine (SG = .55)	1"	1-3/8"
1/4" Steel Ultracon+	Concrete (min. 3.0 ksi)	1"	1-3/8"
	UngROUTED CMU, (ASTM C-90)	1"	1-1/4"
	Southern Pine (SG = .55)	1"	1-3/8"

1) ANCHOR MUST EXTEND A MINIMUM OF 3 THREADS BEYOND ANY METAL SUBSTRATE.

2) "UNGROUTED CMU" VALUES MAY BE USED FOR GROUDED CMU APPLICATIONS.

3) ALL ANCHOR HEAD TYPES ARE APPLICABLE.

INSTALLATION NOTES:

1) SEE SHEET 1 FOR ANCHOR SPACING REQUIREMENTS.

2) ANY INSTALLATION OPTION SHOWN (2X BUCK, 1X BUCK, DIRECT TO MASONRY, STEEL STUD) MAY BE USED ON ANY SIDE OF THE WINDOW.

3) USE ONLY SUBSTRATE APPROPRIATE ANCHORS LISTED IN ANCHOR TABLE. FOLLOW EMBEDMENT AND EDGE DISTANCE LIMITS. MAX. SHIM THICKNESS TO BE 1/4". ANY INSTALLATION OPTION SHOWN MAY BE USED ON ANY OR ALL SIDES OF THE WINDOW.

Rev.# 08/17/23
Date
MINOR EDITORIAL UPDATES
Rev.

PREPARED BY A. LYNN MILLER 1070 TECHNOLOGY DRIVE N. VENICE, FL 34275 (941) 480-1600	REGISTRATION #29296 COPYRIGHT © 2023 PGT, INC., LIMITED LICENSE TO MAKE COPIES FOR PERMITTING.	04/17/23 Date	LOGAN YODER Drawn By	HR920V-FPA-LM
	VINYL FIXED WINDOW (LM)	8 OF 11 DWG No.		
Impact Resistant Windows & Doors	CGI WINDOWS AND DOORS 3780 W. 104TH STREET HIALEAH, FL 33018	PW920V Sheet	FLANGE INSTALL SECTION VIEWS Desc. Title	Series

ANTHONY LYNN MILLER
 LICENSE
 No. 58705
 08/18/23
 STATE OF FLORIDA
 PROFESSIONAL ENGINEER
 A. LYNN MILLER, P.E.
 P.E.# 58705

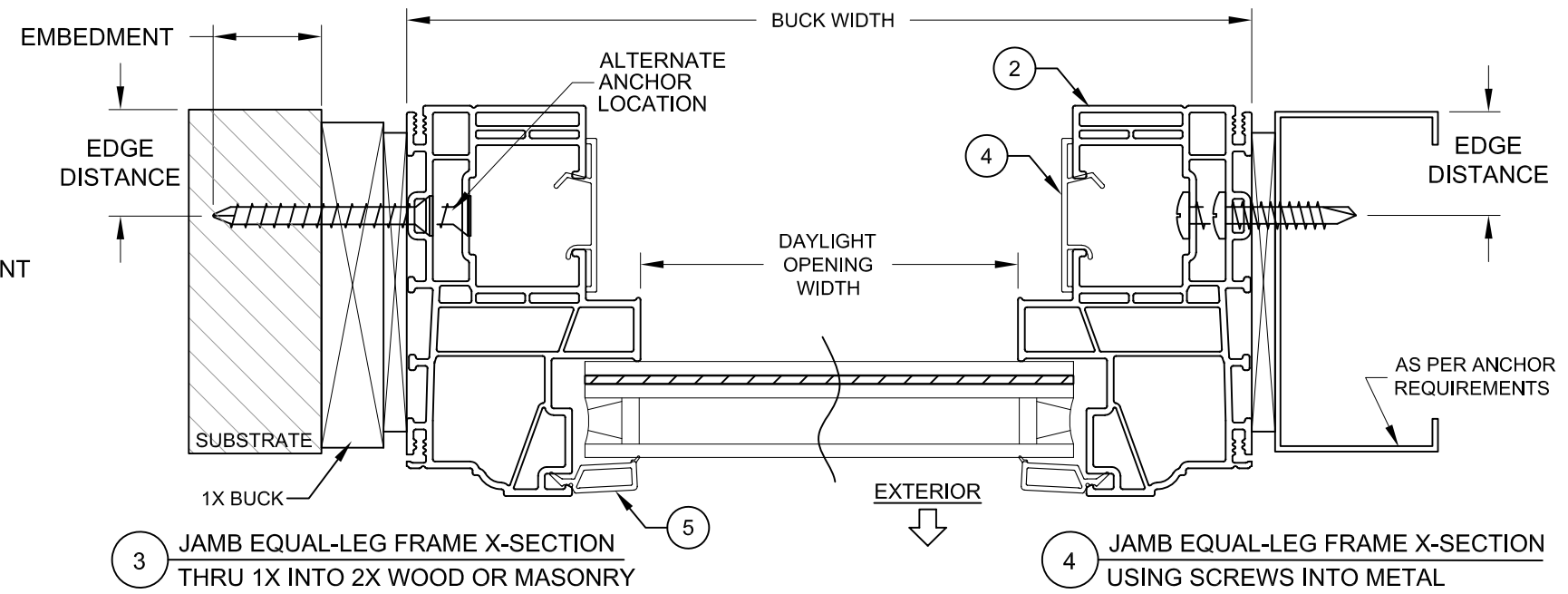
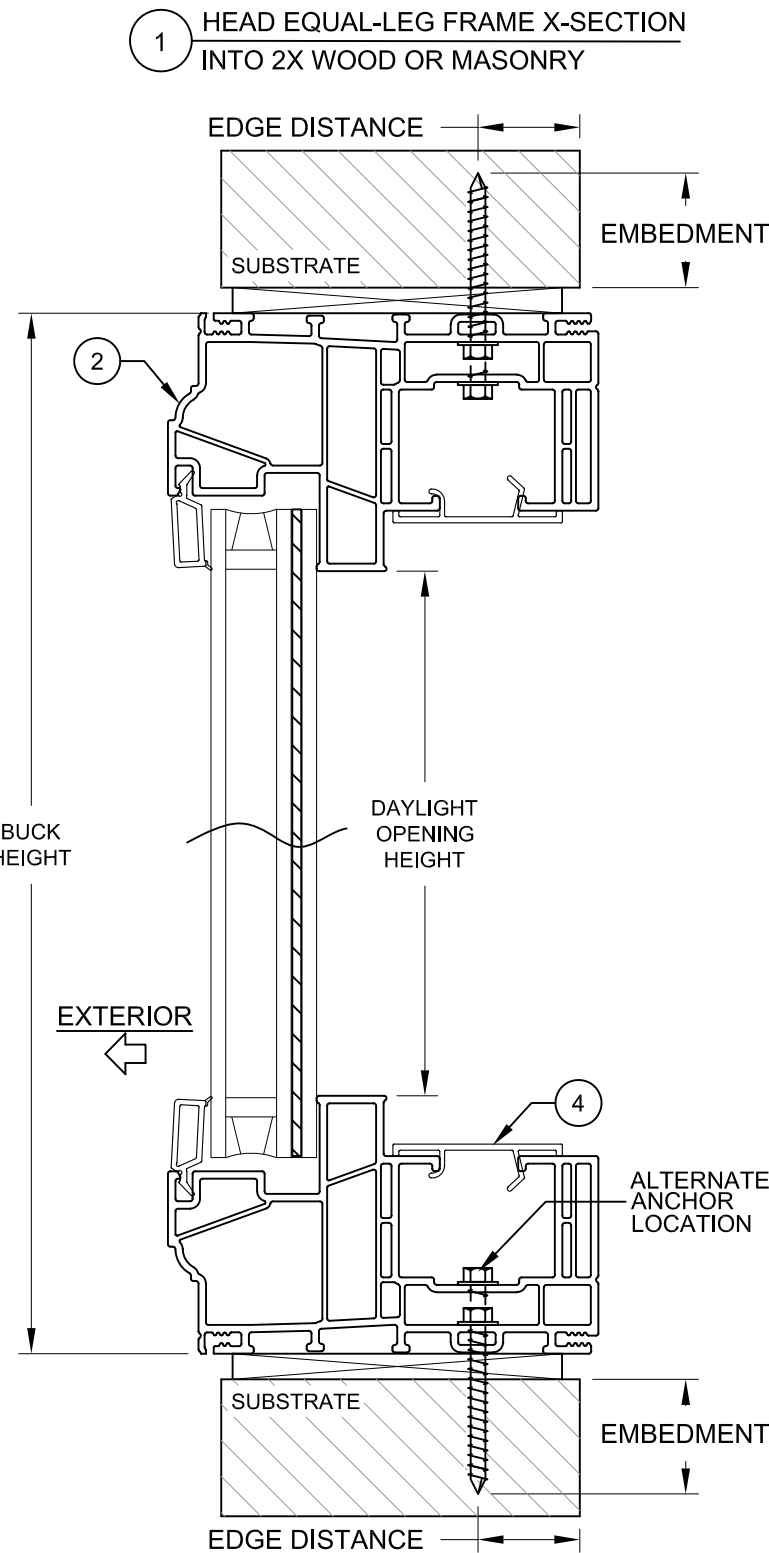


TABLE 3: INSTALLATION ANCHORS

Anchor	Substrate	Minimum Edge Distance	Minimum Embedment
#10 or #12 Steel or 410 SS Screw	Southern Pine (SG = .55)	9/16"	1-3/8"
	Aluminum, 6063-T5 min.	3/8"	0.050"
	Steel Stud, Gr. 33 min.	3/8"	0.045" (20 Ga)
	A36 Steel	3/8"	0.050"
3/16" Steel Ultracon+	Concrete (min. 2.9 ksi)	1"	1-3/4"
	UngROUTED CMU, (ASTM C-90)	1"	1-1/4"
	Southern Pine (SG = .55)	1"	1-3/8"
1/4" Steel Ultracon+	Concrete (min. 3.0 ksi)	1"	1-3/8"
	UngROUTED CMU, (ASTM C-90)	1"	1-1/4"
	Southern Pine (SG = .55)	1"	1-3/8"

- 1) ANCHOR MUST EXTEND A MINIMUM OF 3 THREADS BEYOND ANY METAL SUBSTRATE.
- 2) "UNGROUTED CMU" VALUES MAY BE USED FOR GROUDED CMU APPLICATIONS.
- 3) ALL ANCHOR HEAD TYPES ARE APPLICABLE.

INSTALLATION NOTES:

- 1) SEE SHEET 1 FOR ANCHOR SPACING REQUIREMENTS.
- 2) ANY INSTALLATION OPTION SHOWN (2X BUCK, 1X BUCK, DIRECT TO MASONRY, STEEL STUD) MAY BE USED ON ANY SIDE OF THE WINDOW.
- 3) USE ONLY SUBSTRATE APPROPRIATE ANCHORS LISTED IN ANCHOR TABLE. FOLLOW EMBEDMENT AND EDGE DISTANCE LIMITS. MAX. SHIM THICKNESS TO BE 1/4". ANY INSTALLATION OPTION SHOWN MAY BE USED ON ANY OR ALL SIDES OF THE WINDOW.

Rev.# 08/17/23
Date
MINOR EDITORIAL UPDATES
Rev.

PREPARED BY A. LYNN MILLER
1070 TECHNOLOGY DRIVE
N. VENICE, FL 34275
(941) 480-1600

REGISTRATION #29296
COPYRIGHT © 2023 PGT, INC., LIMITED LICENSE
TO MAKE COPIES FOR PERMITTING.

04/17/23
Date

LOGAN YODER
By

HR920V-FPA-LM
No.

9 OF 11
Sheet

PW920V
Series

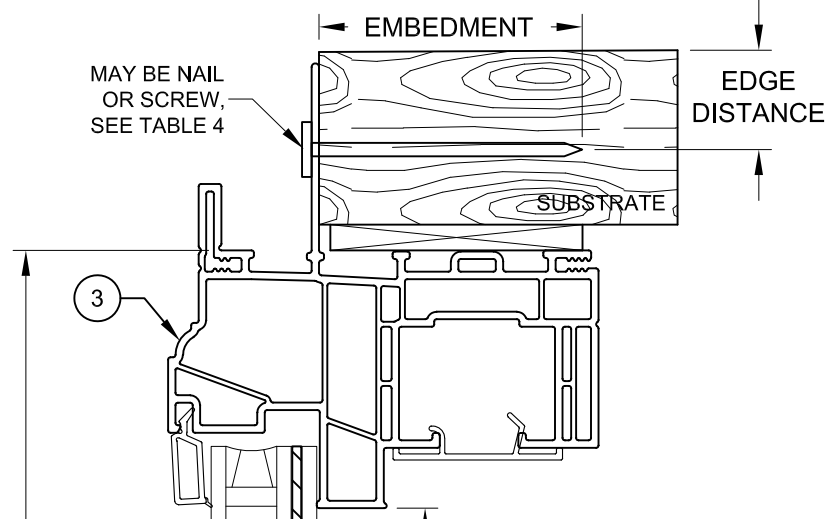
VINYL FIXED WINDOW (LM)
EQUAL-LEG INSTALLATION
SECTION VIEWS
Desc. Title

Impact Resistant Windows & Doors

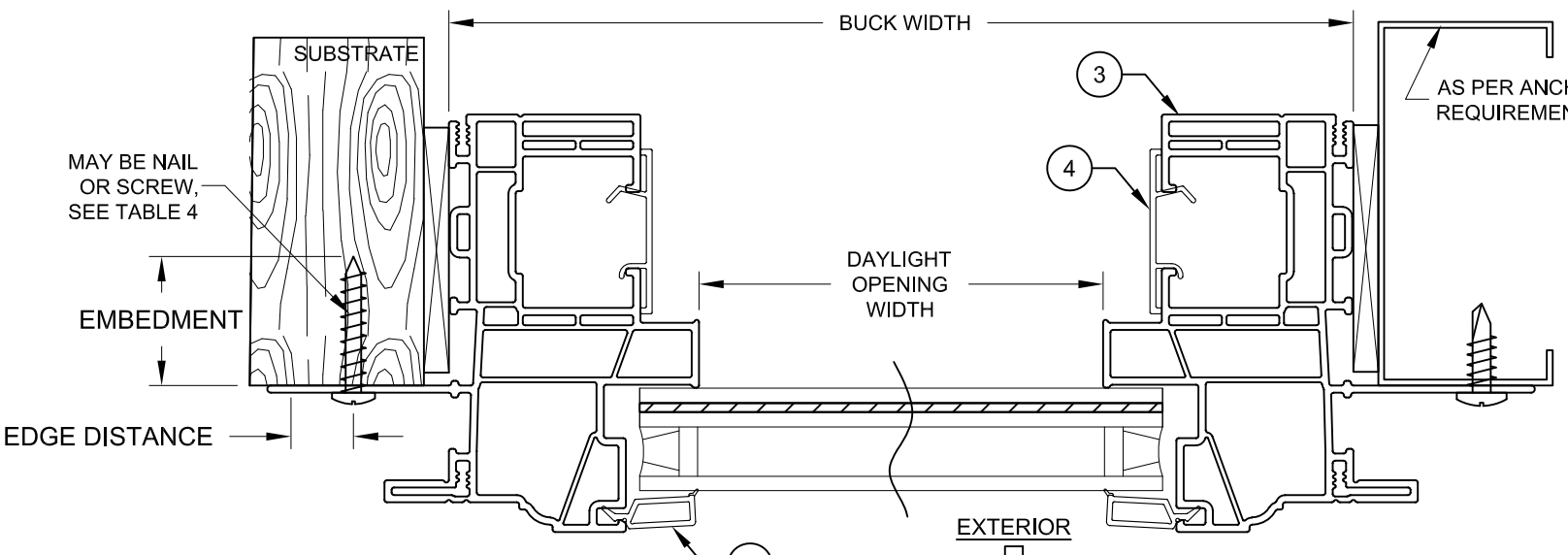
CGI WINDOWS AND DOORS
3780 W. 104TH STREET
HIALEAH, FL 33018

ANTHONY LYNN MILLER
LICENSE
No. 58705
08/18/23
STATE OF FLORIDA
PROFESSIONAL ENGINEER
A. LYNN MILLER, P.E.
P.E.# 58705

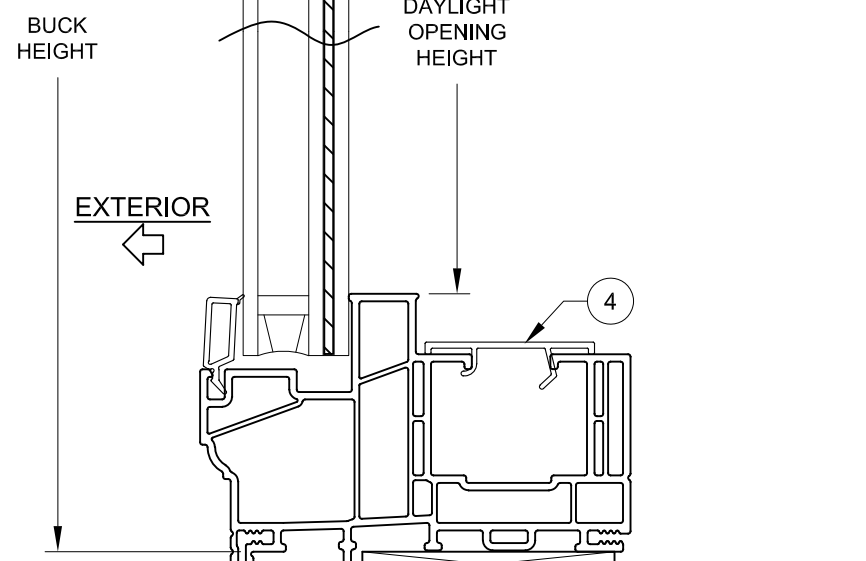
1 HEAD FIN FRAME X-SECTION
USING NAILS INTO 2X WOOD



3 JAMB FIN FRAME X-SECTION
USING SCREWS INTO 2X WOOD



4 JAMB FIN FRAME X-SECTION
USING SCREWS INTO METAL



HYBRID CONFIGURATIONS
(FLANGE FRAME/FIN FRAME)
ALLOWED WITH MULLION
INSTALLATION, SEE PAGE 8 FOR
FLANGE FRAME INSTALLATION
DETAILS.

2 SILL FIN FRAME X-SECTION
USING NAILS INTO 2X WOOD

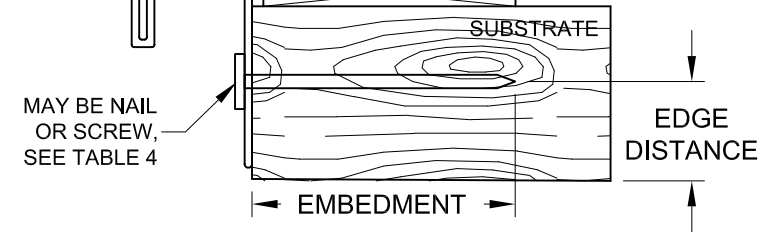


TABLE 4: INSTALLATION ANCHORS

Anchor	Substrate	Min. Edge Distance	Min. Embedment
2-1/2" x .113" Box Nail	P.T. Southern Pine (SG = .55)	5/16"	2-7/16"
2-1/2" x .131" Common Nail	P.T. Southern Pine (SG = .55)	3/8"	2-7/16"
2-1/2" x .145" Roofing Nail	P.T. Southern Pine (SG = .55)	3/8"	2-7/16"
#10 Steel SMS	P.T. Southern Pine (SG = .55)	1/2"	1-3/8"
	Aluminum, 6063-T5 min.	3/8"	1/8"
	Steel Stud, Gr. 33 min.	3/8"	0.036
	A36 Steel	3/8"	1/8"

1) ANCHOR MUST EXTEND A MINIMUM OF 3 THREADS BEYOND ANY METAL SUBSTRATE.
2) ALL ANCHOR HEAD TYPES ARE APPLICABLE.

INSTALLATION NOTES:

- 1) SEE SHEET 1 FOR SPACING REQUIREMENTS.
- 2) FLANGE AND/OR FIN MAY BE REMOVED TO CREATE OTHER APPROVED FRAME TYPE.
- 3) USE ONLY SUBSTRATE APPROPRIATE ANCHORS LISTED IN ANCHOR TABLE. FOLLOW EMBEDMENT AND EDGE DISTANCE LIMITS. ANY INSTALLATION OPTION SHOWN MAY BE USED ON ANY OR ALL SIDES OF THE WINDOW.
- 4) MAX. SHIM THICKNESS TO BE 1/4". MAX. SHIM SPACING TO BE 18".

PREPARED BY A. LYNN MILLER
1070 TECHNOLOGY DRIVE
N. VENICE, FL 34275
(941) 480-1600

REGISTRATION #29296
COPYRIGHT © 2023 PGT, INC., LIMITED LICENSE
TO MAKE COPIES FOR PERMITTING.

04/17/23
By Logan Yoder
Drawn
Date

VINYL FIXED WINDOW (LM)
FIN INSTALLATION SECTION VIEWS
Series Desc. Title

PW920V
Sheet

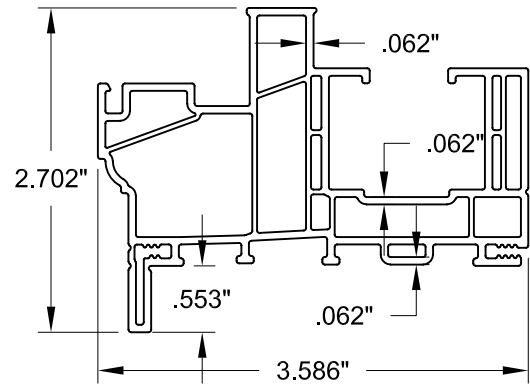
10 OF 11
DWG No.

HR920V-FPA-LM
By Logan Yoder
Drawn

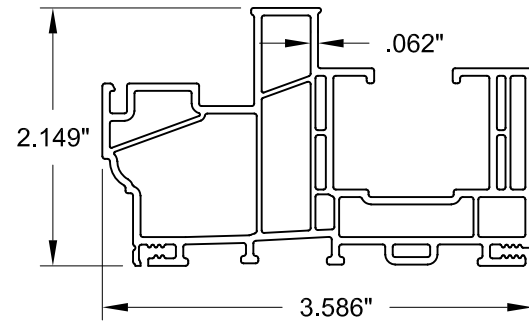
Impact Resistant Windows & Doors

CGI WINDOWS AND DOORS
3780 W. 104TH STREET
HIALEAH, FL 33018

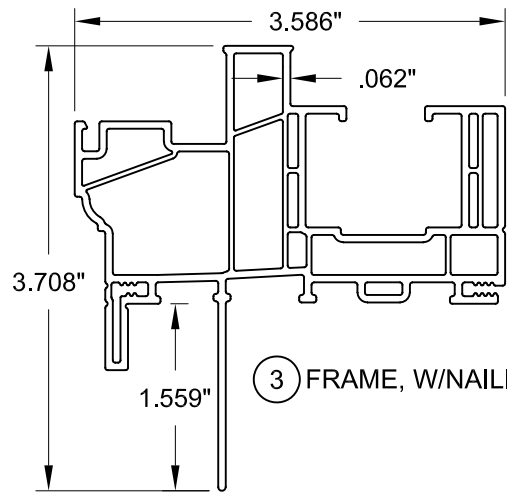
ANTHONY LYNN MILLER
LICENSE
No. 58705
08/18/23
STATE OF FLORIDA
PROFESSIONAL ENGINEER
A. LYNN MILLER, P.E.
P.E.# 58705



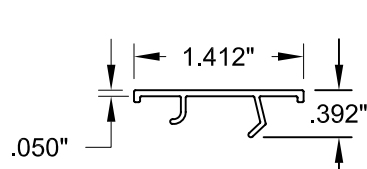
① FRAME, W/FLANGE



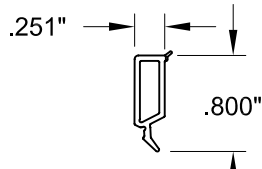
② FRAME, EQUAL LEG



③ FRAME, W/NAILING FIN



④ ANCHOR COVER



⑤ GLAZING BEAD

TABLE 5:

#	Part #	Description	Material
1	9465	Frame, w/Flange	PVC
2	9465	Frame, Equal Leg	PVC
3	9455	Frame, w/Nailing Fin	PVC
4	9473	Anchor Cover	PVC
5	9736	Glazing Bead	PVC
10		Glazing compound: RGS7700, Dow 791, 983 or 995	
11		Metal or TPS Spacer	VARIES
12	7061	Setting Block, 1/8" x 7/8" x 2"	EPDM

THE APPROVED WHITE, RIGID PVC EXTERIOR EXTRUSIONS ARE TO BE PRODUCED BY EXTRUDERS' LICENSEES UNDER "AAMA CERTIFICATION PROGRAMS FOR RIGID PVC EXTRUSIONS".

Impact Resistant Windows & Doors CGI WINDOWS AND DOORS 3780 W. 104TH STREET HIALEAH, FL 33018	PREPARED BY A. LYNN MILLER 1070 TECHNOLOGY DRIVE N. VENICE, FL 34275 (941) 480-1600	REGISTRATION #29296 COPYRIGHT © 2023 PGT, INC., LIMITED LICENSE TO MAKE COPIES FOR PERMITTING.	Date 04/17/23	Drawn By LOGAN YODER	DWG No. 11 OF 11	HR920V-FPA-LM
	VINYL FIXED WINDOW (LM)	EXTRUSIONS/BOM	PW920V	Sheet	Series Desc. Title	No.

ANTHONY LYNN MILLER
 LICENSE
 No. 58705
 08/18/23
 STATE OF FLORIDA
 PROFESSIONAL ENGINEER
 A. LYNN MILLER, P.E.
 P.E.# 58705

Rev. # 08/17/23
Date 08/17/23
MINOR EDITORIAL UPDATES
Rev. # A