

**SGD3130V SMALL MISSILE & LARGE MISSILE
(LEVEL C) IMPACT RESISTANT,
BYPASS & POCKET, 2 & 3 TRACK
SLIDING GLASS DOOR**

DESIGN PRESSURE RATING	RATED FOR SMALL MISSILE & LEVEL C LARGE MISSILE IMPACT RESISTANCE
+/-50.0 PSF	

1) THIS PRODUCT HAS BEEN DESIGNED & TESTED TO COMPLY WITH THE REQUIREMENTS OF THE FLORIDA BUILDING CODE, EXCLUDING THE HIGH VELOCITY HURRICANE ZONE (HVHZ).

2) SHUTTERS ARE NOT REQUIRED WHEN USED IN WIND-BORNE DEBRIS REGIONS AT THE FOLLOWING LOCATIONS:

- A) WITHIN 1 MILE OF THE COASTAL MEAN HIGH WATER LINE WHERE THE ULTIMATE WIND SPEED IS EQUAL TO OR GREATER THAN 130 MPH AND LESS THAN 140 MPH.
- B) GREATER THAN 1 MILE FROM THE COASTAL MEAN HIGH WATER LINE WHERE THE ULTIMATE WIND SPEED IS GREATER THAN OR EQUAL TO 140 MPH AND LESS THAN 150 MPH.

3) MASONRY ANCHORS MAY BE USED INTO WOOD. ALL WOOD BUCKS LESS THAN 1-1/2" THICK ARE TO BE CONSIDERED 1X INSTALLATIONS. 1X WOOD BUCKS ARE OPTIONAL IF UNIT IS INSTALLED DIRECTLY TO SUBSTRATE. WOOD BUCKS DEPICTED AS 2X ARE 1-1/2" THICK OR GREATER. 1X AND 2X BUCKS (WHEN USED) SHALL BE DESIGNED TO PROPERLY TRANSFER LOADS TO THE STRUCTURE. WOOD BUCK DESIGN AND INSTALLATION IS THE RESPONSIBILITY OF THE ENGINEER OR ARCHITECT OF RECORD.

4) ANCHOR EMBEDMENT TO BASE MATERIAL SHALL BE BEYOND WALL DRESSING OR STUCCO. USE ANCHORS OF SUFFICIENT LENGTH. INSTALLATION ANCHORS SHOULD BE SEALED. OVERALL SEALING/FLASHING STRATEGY FOR WATER RESISTANCE OF INSTALLATION SHALL BE DONE BY OTHERS AND IS BEYOND THE SCOPE OF THESE INSTRUCTIONS.

5) SHIMS ARE REQUIRED AT EACH FLANGE ANCHOR LOCATION WHERE THE PRODUCT IS NOT FLUSH TO THE SUBSTRATE. USE SHIMS CAPABLE OF TRANSFERRING APPLIED LOADS. WOOD BUCKS, BY OTHERS, MUST BE SUFFICIENTLY ANCHORED TO RESIST LOADS IMPOSED ON THEM BY THE DOOR.

6) THE ANCHORAGE METHODS SHOWN HAVE BEEN DESIGNED TO RESIST THE WIND LOADS CORRESPONDING TO THE REQUIRED DESIGN PRESSURE. THE 33-1/3% STRESS INCREASE HAS NOT BEEN USED IN THE DESIGN OF THIS PRODUCT. THE 1.6 LOAD DURATION FACTOR WAS USED FOR THE EVALUATION OF ANCHORS INTO WOOD. ANCHORS THAT COME INTO CONTACT WITH OTHER DISSIMILAR MATERIALS SHALL MEET THE REQUIREMENTS OF THE FLORIDA BUILDING CODE FOR CORROSION RESISTANCE.

TABLE 1: INSTALLATION ANCHORS

Anchor	Location	Substrate	Minimum Edge Distance	Minimum Embedment
#10 or #12 Steel, 18-8 SS or 410 SS Screw	All	Southern Pine (SG = .55)	9/16"	1-3/8"
		Aluminum, 6063-T5 min.	3/8"	0.060"
		Steel Stud, Gr. 33 min.	3/8"	0.045" (20 Ga)
		A36 Steel	3/8"	0.050"
3/16" steel Ultracon+	Head, Sill & Jamb	Concrete (min. 3.0 ksi)	1-1/2"	1-3/4"
	Jamb	Grouted CMU, (ASTM C-90)	1-3/4"	2-1/4"
	Hookstrip	Concrete (min. 3.0 ksi)	1"	1-3/8"
		Grouted CMU, (ASTM C-90)	1"	2-1/4"
		UngROUTED CMU, (ASTM C-90)	1-1/2"	1-1/4"
1/4" steel Ultracon	Head, Sill & Jamb	Concrete (min. 3.0 ksi)	1"	1-3/8"
	Jamb	UngROUTED CMU, (ASTM C-90)	1-5/8"	1-1/4"
	All	Southern Pine (SG = .55)	1"	1-3/8"
1/4" steel Ultracon	Hookstrip	Concrete (min. 3.0 ksi)	1"	1"
	Hookstrip	UngROUTED CMU, (ASTM C-90)	1"	1-1/4"
1/4" steel Ultracon+	Head, Sill & Jamb	Concrete (min. 3.0 ksi)	1-1/4"	1-3/8"
	Jamb	Grouted CMU, (ASTM C-90)	1"	1-3/4"
	Jamb	UngROUTED CMU, (ASTM C-90)	1-1/2"	1-1/4"
	All	Southern Pine (SG = .55)	1"	1-3/8"
1/4" steel Ultracon+	Hookstrip	Concrete (min. 3.0 ksi)	1"	1"
	Hookstrip	UngROUTED CMU, (ASTM C-90)	1"	1-1/4"

1) CONCRETE ANCHOR LOCATIONS NOTED AS "MAX. ON CENTER" MUST BE ADJUSTED TO MAINTAIN THE MINIMUM EDGE DISTANCE TO MORTOR JOINTS, ADDITIONAL CONCRETE ANCHORS MAY BE REQUIRED TO ENSURE THE "MAX. ON CENTER" DIMENSION IS NOT EXCEEDED. "UNGRouted CMU" VALUES MAY BE USED FOR GRouted CMU APPLICATIONS.

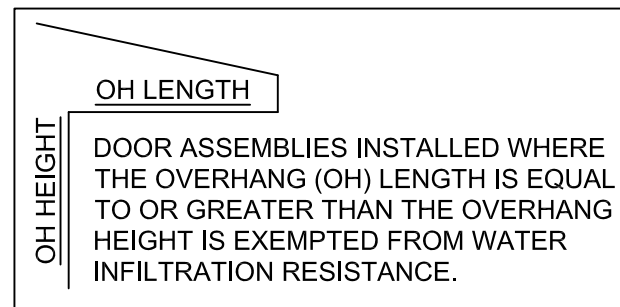
2) ALL ANCHOR HEAD TYPES ARE APPLICABLE. ANCHORS MUST EXTEND A MINIMUM OF 3 THREADS BEYOND ANY METAL SUBSTRATE.

GENERAL NOTES.....1
 ELEVATIONS.....2
 HORIZ. SECTION VIEWS.....3
 VERTICAL SECTION VIEWS.....4
 GLAZING DETAILS.....4
 FRAME ANCHORAGE, 2T.....5
 FRAME ANCHORAGE, 3T.....6
 EXTRUSIONS.....7
 BILL OF MATERIALS.....7

TABLE 2:

Glass Types	
1	1/8" TP Cap, 7/16" Airspace, 3/16" AN, 0.060" Trosifol PVB, 3/16" AN
2	3/16" TP Cap, 3/8" Airspace, 3/16" AN, 0.060" Trosifol PVB, 3/16" AN
3	1/8" TP Cap, 7/16" Airspace, 3/16" HS, 0.060" Trosifol PVB, 3/16" HS
4	3/16" TP Cap, 3/8" Airspace, 3/16" HS, 0.060" Trosifol PVB, 3/16" HS

FIGURE 1:



SILL RISER NOTES:

- A) IF WATER INFILTRATION RESISTANCE IS REQUIRED, THE 2-13/16" SILL RISER MUST BE USED.
- B) IF WATER INFILTRATION RESISTANCE IS NOT REQUIRED OR OVERHANG IS PER FIG 1, A SILL RISER IS NOT NEEDED.

Title: VINYL SLIDING GLASS DOOR (LM)		Drawn By: JENS ROSOWSKI	
Description: GENERAL NOTES & ANCHOR TYPES		Date: 03/24/21	
Revision: MINOR EDITORIAL UPDATES		Rev. By: LMY	Rev. Date: 08/17/23
Series/Model: SGD3130V	Scale: NTS	Sheet: 1 OF 7	Drawing No. SGD3130FBC-1
		Rev:	A

CGI Impact Resistant Windows & Doors
 WE'RE STRONGER™

3780 W 104TH STREET
 HIALEAH, FL 33018
 (305) 593-6590

PREPARED BY A. LYNN MILLER
 1070 TECHNOLOGY DRIVE
 N. VENICE, FL 34275
 (941) 480-1600

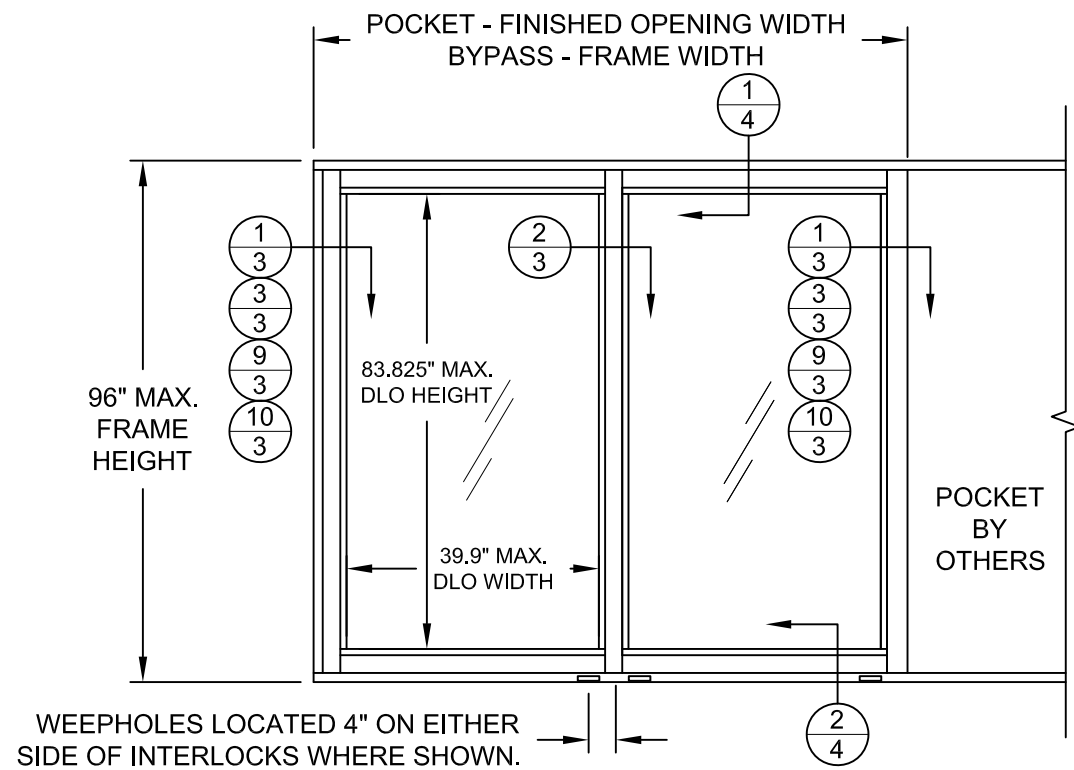
COPYRIGHT © 2021
 CGI WINDOWS AND DOORS, INC.
 LIMITED LICENSE TO MAKE
 COPIES FOR PERMITTING.
 REGISTRATION #29296

ANTHONY LYNN MILLER
 LICENSE
 No. 58705

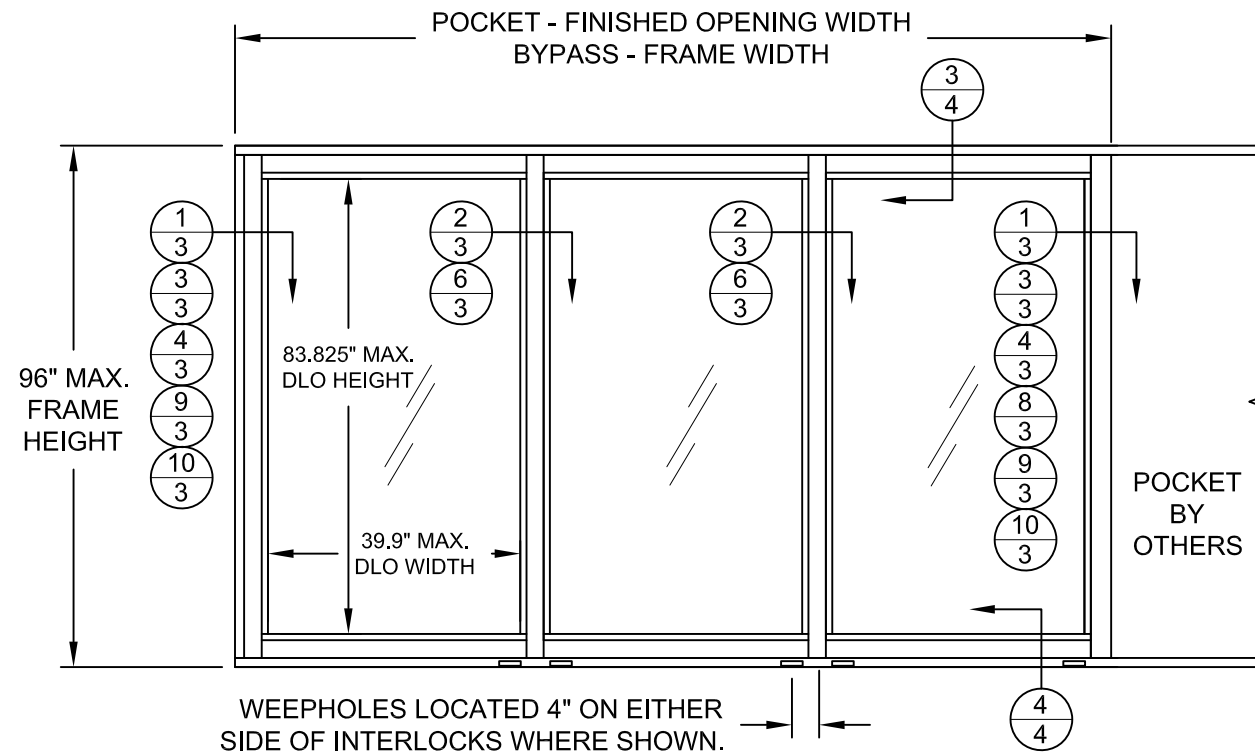
A. Lynn Miller
 8/18/23

STATE OF
 FLORIDA
PROFESSIONAL ENGINEER

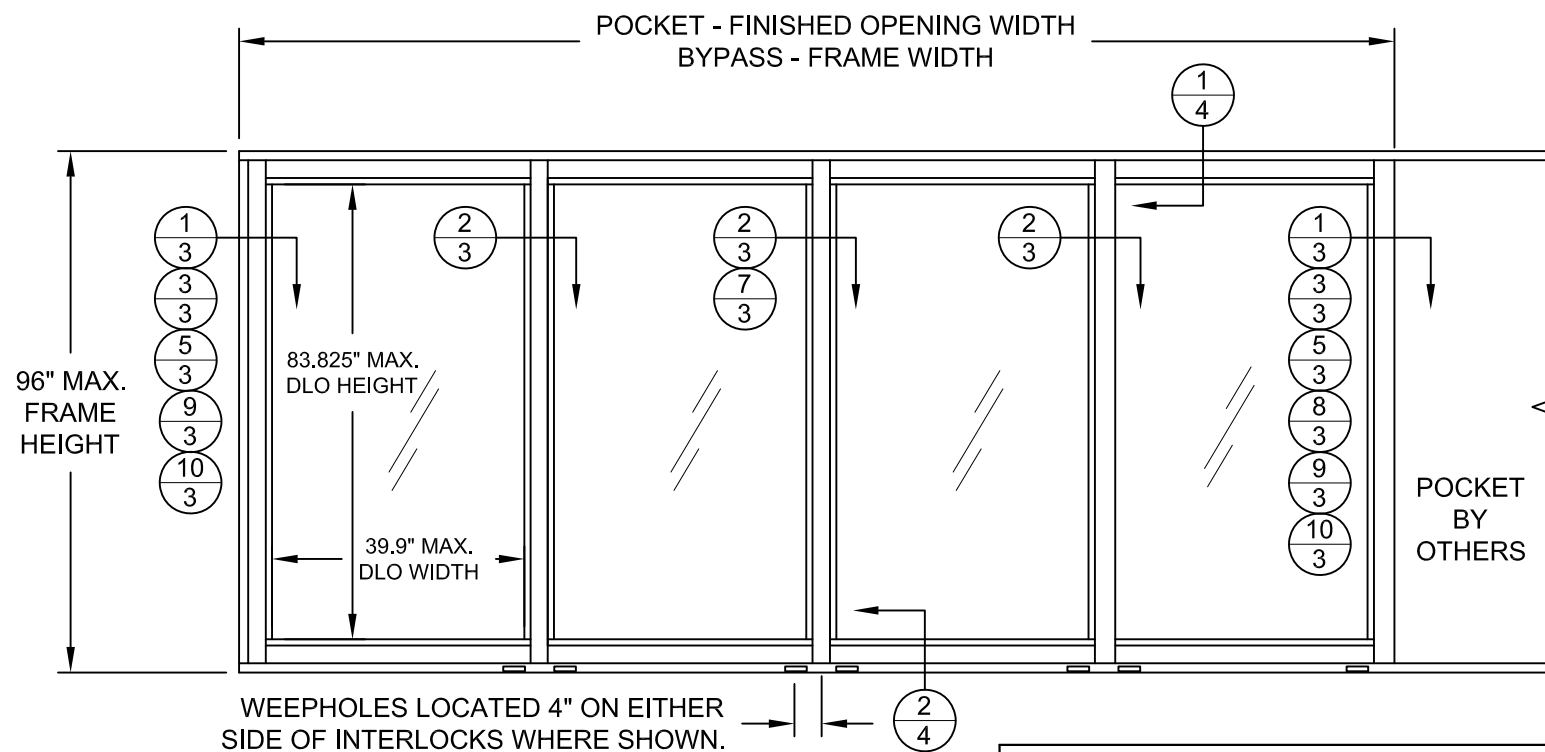
A. LYNN MILLER, P.E.
 P.E.# 58705



2P2T OX & XO



3P2T OXO & 3P3T XXX, XXXP



4P2T OXXO

CONFIGURATION NOTES:

- 1) EXTERIOR POCKET CAN BE EITHER LEFT, RIGHT OR DOUBLE.
- 2) POCKET WALL OR CAVITY IS NOT PART OF THIS APPROVAL AND IS TO BE DESIGNED BY OTHERS AND REVIEWED BY THE AUTHORITY HAVING JURISDICTION.
- 3) EXAMPLE CONFIGURATIONS SHOWN. ANY CONFIGURATION IS ACCEPTABLE PROVIDED THAT ONLY THE VERTICAL STILE CONDITIONS SHOWN ON SHEET 3 ARE USED.

Title: VINYL SLIDING GLASS DOOR (LM)		Drawn By: JENS ROSOWSKI	
Description: ELEVATIONS		Date: 03/24/21	
Revision: MINOR EDITORIAL UPDATES		Rev. By: LMY	Rev. Date: 08/17/23
Series/Model: SGD3130V	Scale: NTS	Sheet: 2 OF 7	Drawing No. SGD3130FBC-1
			Rev: A

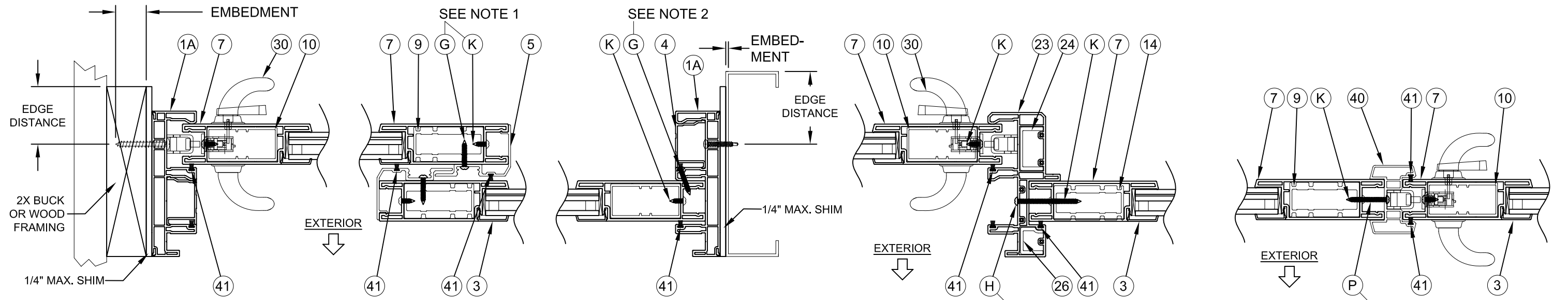
Impact Resistant Windows & Doors
WE'RE STRONGER™

3780 W 104TH STREET
HIALEAH, FL 33018
(305) 593-6590

PREPARED BY A. LYNN MILLER
1070 TECHNOLOGY DRIVE
N. VENICE, FL 34275
(941) 480-1600

COPYRIGHT © 2021
CGI WINDOWS AND DOORS, INC.
LIMITED LICENSE TO MAKE
COPIES FOR PERMITTING.
REGISTRATION #29296

ANTHONY LYNN MILLER
LICENSE
No. 58705
8/18/23
STATE OF
FLORIDA
PROFESSIONAL ENGINEER
A. LYNN MILLER, P.E.
P.E.# 58705



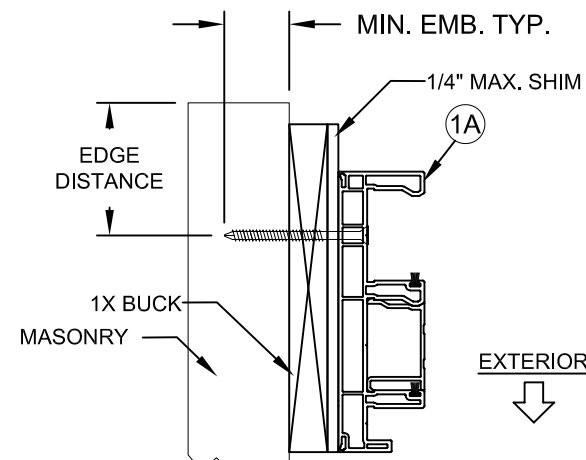
① HORIZONTAL CROSS SECTION
③ 2X BUCK CONSTRUCTION
(SEE NOTES 4 & 5)

② HORIZONTAL CROSS SECTION
③ INTERLOCK

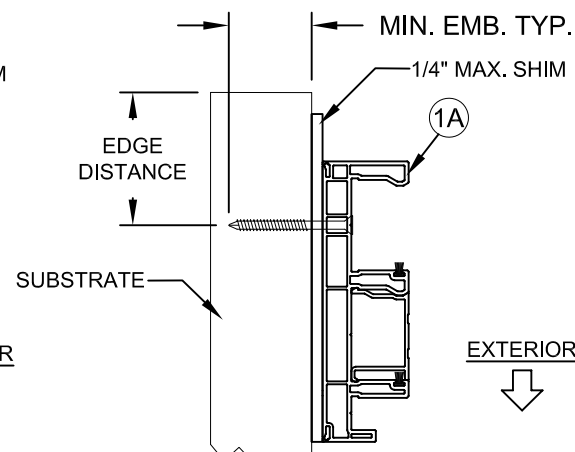
③ HORIZONTAL CROSS SECTION
③ STEEL STUD CONSTRUCTION
(SEE NOTES 4 & 5)

⑥ HORIZONTAL CROSS SECTION
③ MULLION (OFFSET BUTTSTILE)

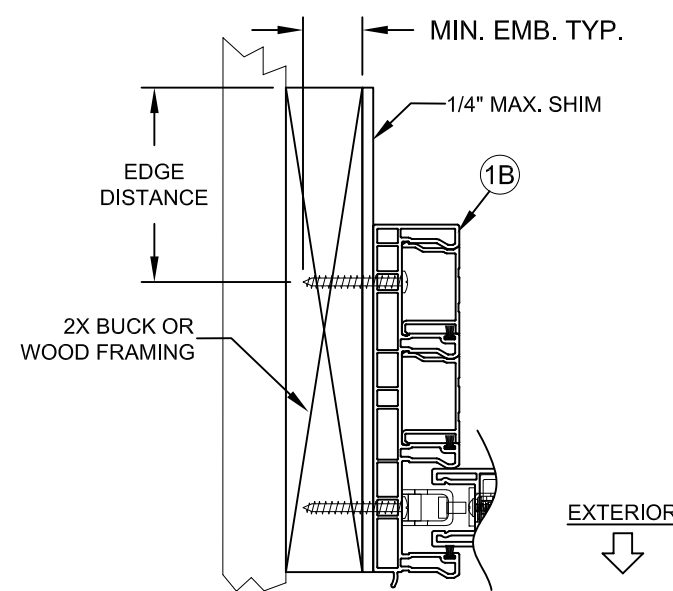
⑦ HORIZONTAL CROSS SECTION
③ ASTRAGAL



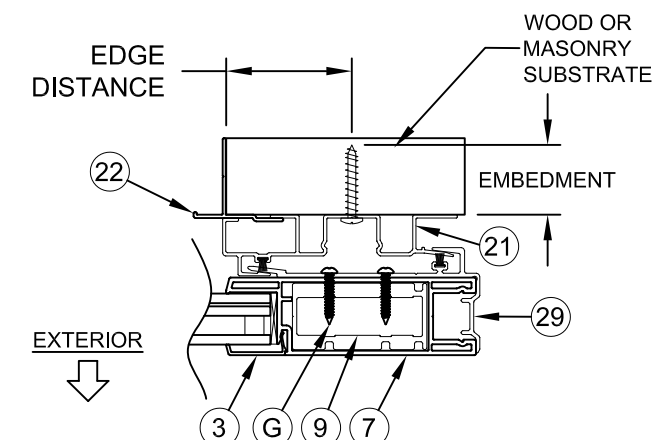
⑨ HORIZONTAL CROSS SECTION
③ 1X BUCK CONSTRUCTION
(SEE NOTES 4 & 5)



⑩ HORIZONTAL CROSS SECTION
③ MASONRY CONSTRUCTION
(SEE NOTES 4 & 5)



④ HORIZONTAL CROSS SECTION
③ 2X BUCK CONSTRUCTION
(SEE NOTES 4 & 5)



⑧ HORIZONTAL CROSS SECTION
③ HOOKSTRIP
(SEE NOTE 5)

NOTES:

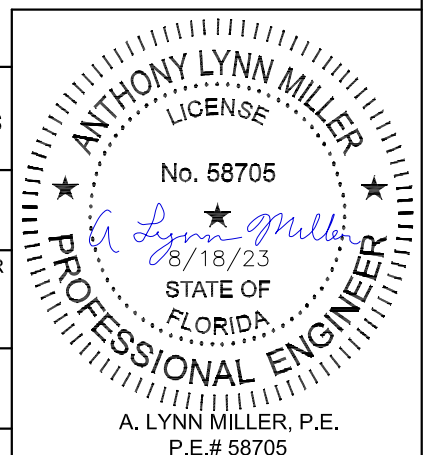
- 1) INTERLOCK REINFORCEMENT SCREWS, G & K, ARE LOCATED 3" FROM EACH END THEN 14.5" ON CENTER.
- 2) FIXED PANEL IN JAMB SCREWS, G, ARE LOCATED 8" FROM EACH END AND THEN 4 MORE EQUALLY SPACED (6 TOTAL)
- 3) FIXED PANEL IN MULLION SCREWS, H, AND FIXED PANEL IN ASTRAGAL SCREWS, P, ARE LOCATED 6" FROM EACH END AND THEN 12" ON CENTER.
- 4) ALL ANCHORAGE SUBSTRATE CONDITIONS SHOWN APPLY TO ALL FRAME TYPES.
- 5) FOR SUBSTRATE & ANCHOR TYPES AND LIMITATIONS, SEE TABLE 1, SHEET 1.

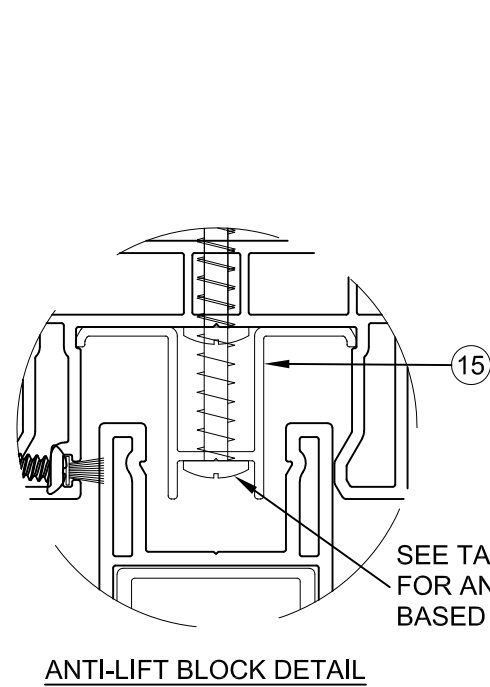
Title: VINYL SLIDING GLASS DOOR (LM)		Drawn By: JENS ROSOWSKI	
Description: HORIZONTAL SECTION VIEWS		Date: 03/24/21	
Revision: MINOR EDITORIAL UPDATES		Rev. By: LMY	Rev. Date: 08/17/23
Series/Model: SGD3130V	Scale: NTS	Sheet: 3 OF 7	Drawing No. SGD3130FBC-1
		Rev:	A



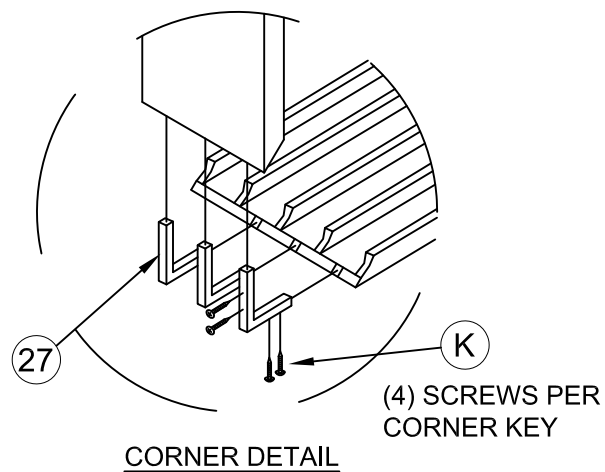
3780 W 104TH STREET
HIALEAH, FL 33018
(305) 593-6590
PREPARED BY A. LYNN MILLER
1070 TECHNOLOGY DRIVE
N. VENICE, FL 34275
(941) 480-1600

COPYRIGHT © 2021
CGI WINDOWS AND DOORS, INC.
LIMITED LICENSE TO MAKE
COPIES FOR PERMITTING.
REGISTRATION #29296



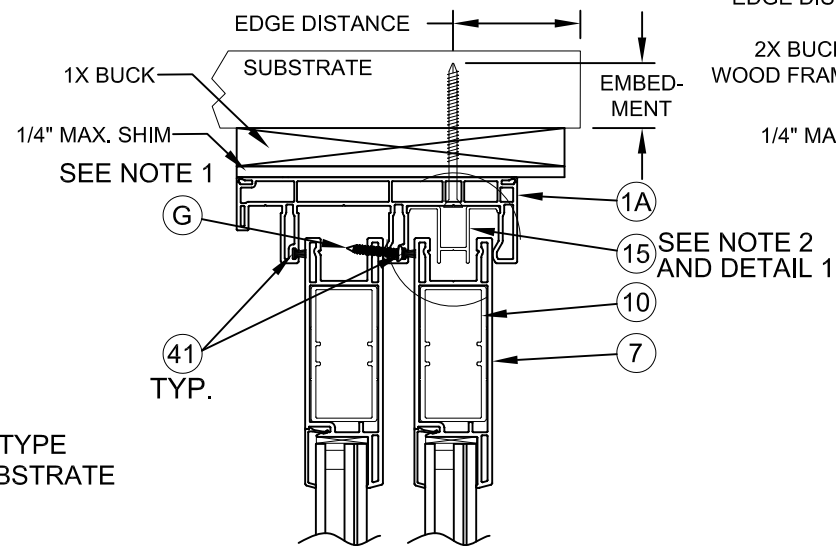


ANTI-LIFT BLOCK DETAIL

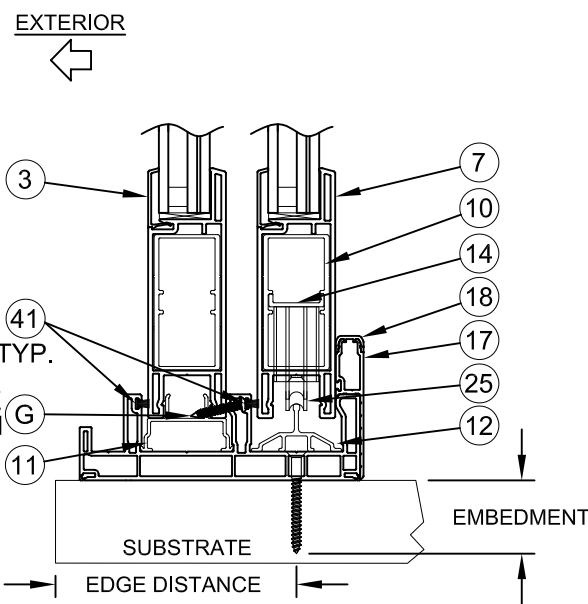
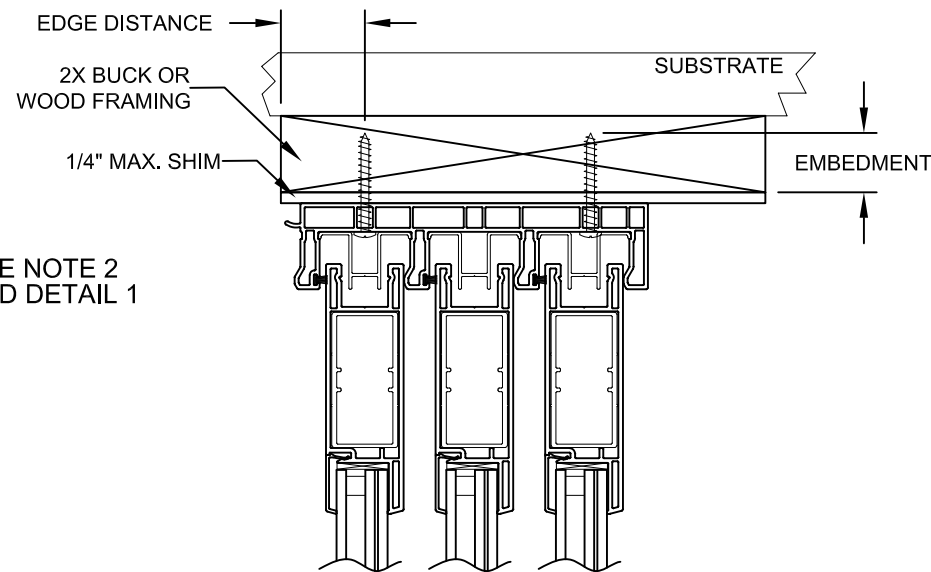


CORNER DETAIL

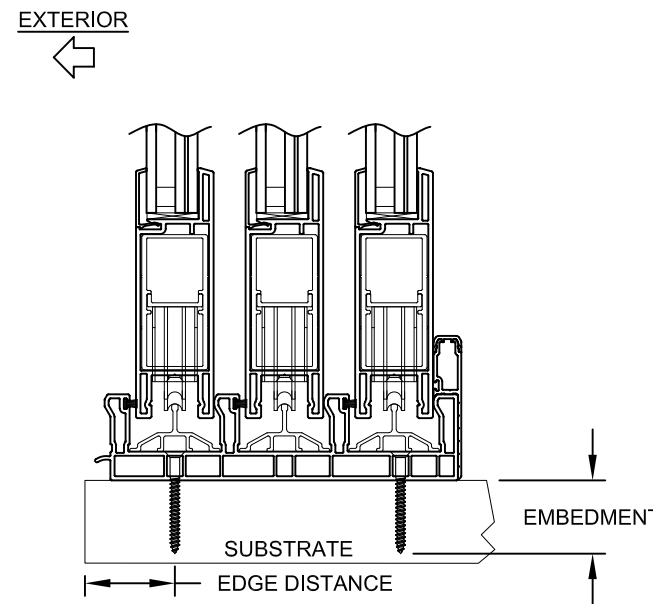
1
4 VERTICAL CROSS SECTION
1X BUCK CONSTRUCTION
(SEE NOTES 3 & 4)



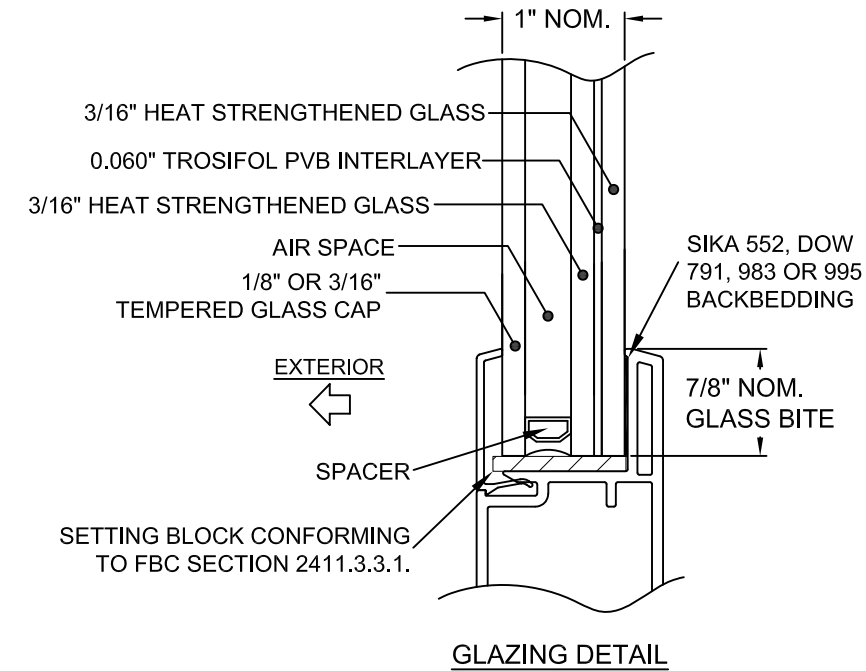
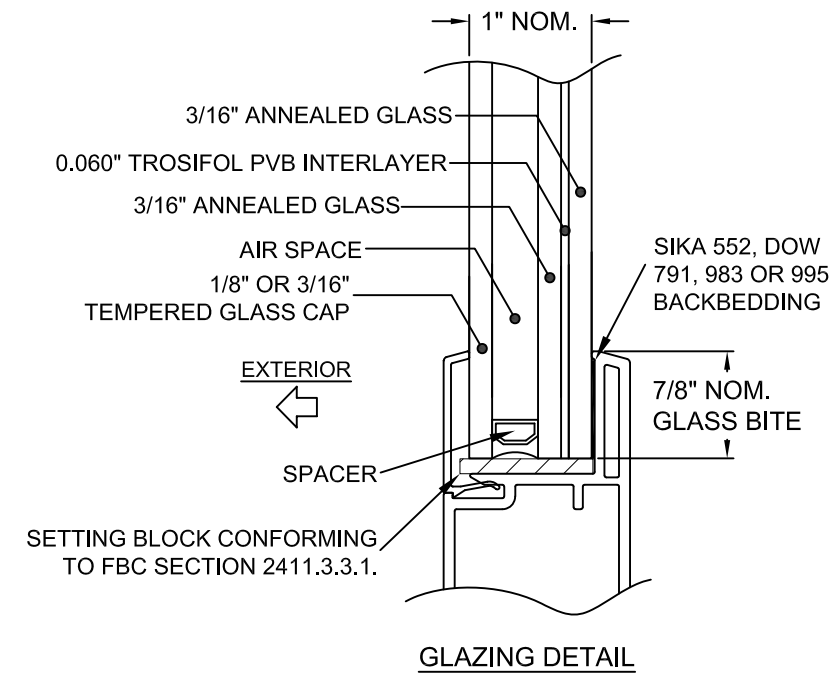
3
4 VERTICAL CROSS SECTION
2X BUCK CONSTRUCTION
(SEE NOTES 3 & 4)



2
4 VERTICAL CROSS SECTION
MASONRY CONSTRUCTION
(SEE NOTES 3 & 4)



4
4 VERTICAL CROSS SECTION
MASONRY CONSTRUCTION
(SEE NOTES 3 & 4)



NOTES:

- 1) FIXED PANEL SCREW INTO HEAD AND SILL, G, LOCATED 3" AND 6" FROM JAMB AND THEN 6", 9" AND 12" FROM THE INTERLOCK.
- 2) ANCHOR THRU ANTI-LIFT BLOCK (ITEM #15) NOT SHOWN FOR CLARITY. FLAT HEAD ANCHORS MUST BE USED IN SILL, ALL OTHERS INTERFERE WITH ROLLER TRACK.
- 3) FOR SUBSTRATE & ANCHOR TYPES AND LIMITATIONS, SEE TABLE 1, SHEET 1.
- 4) ALL ANCHORAGE SUBSTRATE CONDITIONS SHOWN APPLY TO ALL FRAME TYPES.

Title: VINYL SLIDING GLASS DOOR (LM)		Drawn By: JENS ROSOWSKI	
Description: VERT. SECTION VIEWS & GLZ. DETAILS		Date: 03/24/21	
Revision: MINOR EDITORIAL UPDATES		Rev. By: LMY	Rev. Date: 08/17/23
Series/Model: SGD3130V	Scale: NTS	Sheet: 4 OF 7	Drawing No. SGD3130FBC-1
		Rev: A	

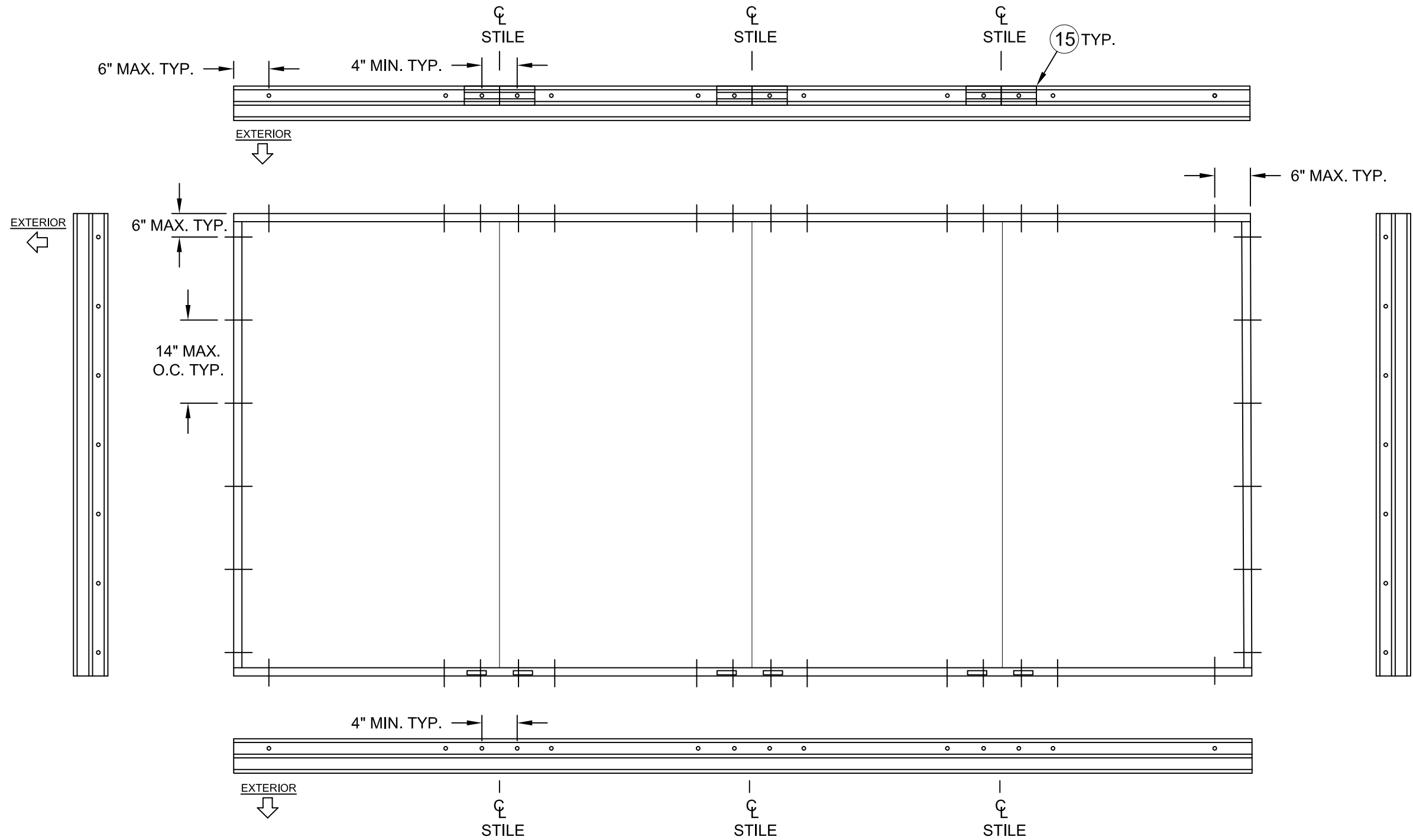
CGI Impact Resistant Windows & Doors
WE'RE STRONGER™

3780 W 104TH STREET
HIALEAH, FL 33018
(305) 593-6590

PREPARED BY A. LYNN MILLER
1070 TECHNOLOGY DRIVE
N. VENICE, FL 34275
(941) 480-1600

COPYRIGHT © 2021
CGI WINDOWS AND DOORS, INC.
LIMITED LICENSE TO MAKE
COPIES FOR PERMITTING.
REGISTRATION #29296

ANTHONY LYNN MILLER
LICENSE
No. 58705
8/18/23
STATE OF FLORIDA
PROFESSIONAL ENGINEER
A. LYNN MILLER, P.E.
P.E.# 58705



FRAME ANCHORAGE DETAIL
2T BYPASS SLIDING GLASS DOOR
 (SEE SHEET 6 FOR POCKET APPLICATION EXAMPLE)

NOTES:

- 1) ANTI-LIFT BLOCKS (ITEM #15) REQ'D ABOVE ALL ACTIVE PANELS (X).
- 2) OXXO SHOWN, ANCHORAGE SIMILAR FOR OXO, OX AND XO.

Title: VINYL SLIDING GLASS DOOR (LM)		Drawn By: JENS ROSOWSKI	
Description: FRAME ANCHORAGE, 2T		Date: 03/24/21	
Revision: MINOR EDITORIAL UPDATES		Rev. By: LMY	Rev. Date: 08/17/23
Series/Model: SGD3130V	Scale: NTS	Sheet: 5 OF 7	Drawing No. SGD3130FBC-1
		Rev: A	

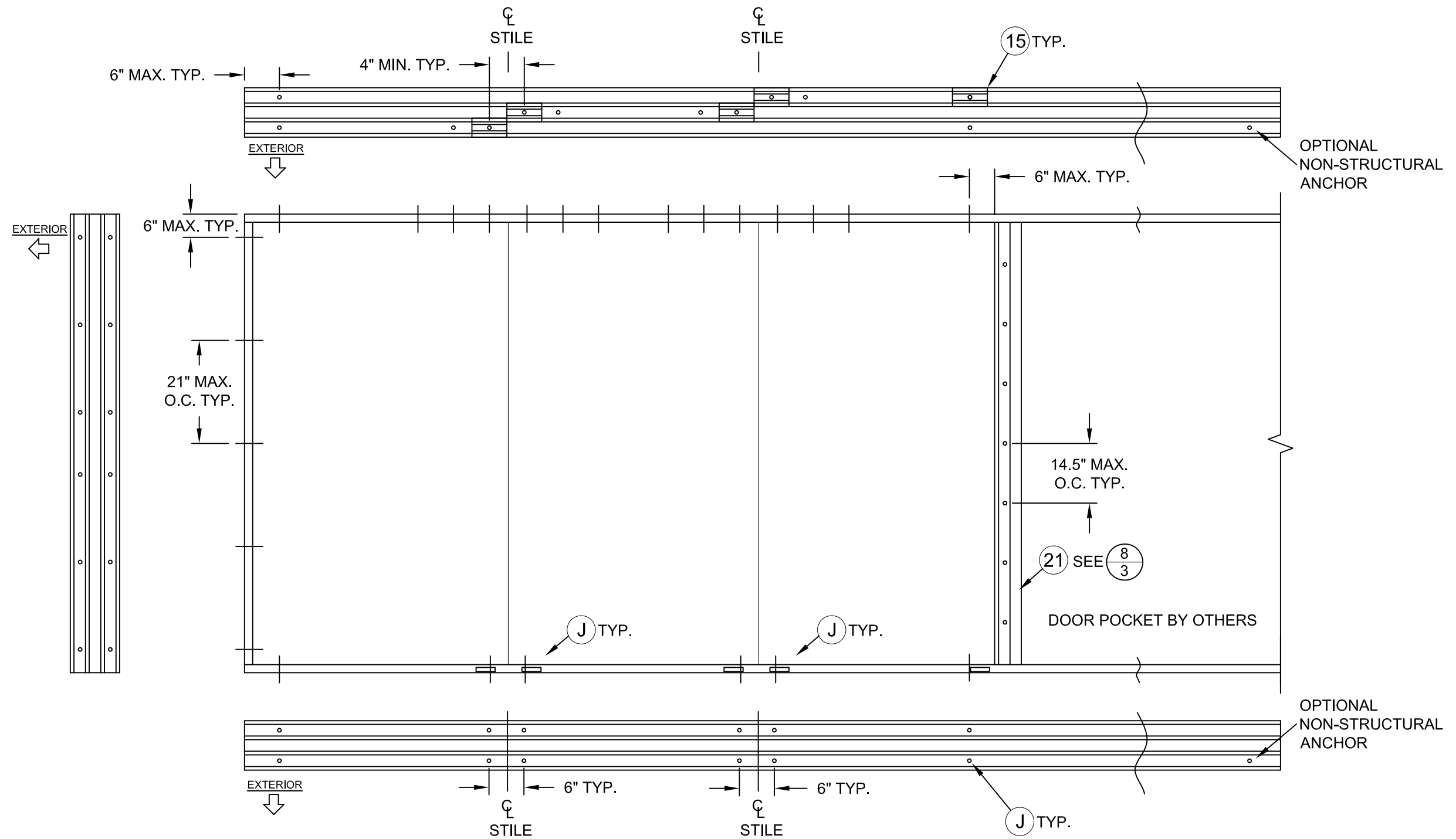
Impact Resistant Windows & Doors
 WE'RE STRONGER™

3780 W 104TH STREET
 HIALEAH, FL 33018
 (305) 593-6590

PREPARED BY A. LYNN MILLER
 1070 TECHNOLOGY DRIVE
 N. VENICE, FL 34275
 (941) 480-1600

COPYRIGHT © 2021
 CGI WINDOWS AND DOORS, INC.
 LIMITED LICENSE TO MAKE
 COPIES FOR PERMITTING.
 REGISTRATION #29296

ANTHONY LYNN MILLER
 LICENSE
 No. 58705
 8/18/23
 STATE OF
 FLORIDA
 PROFESSIONAL ENGINEER
 A. LYNN MILLER, P.E.
 P.E.# 58705



**FRAME ANCHORAGE DETAIL
3T SLIDING GLASS 1-POCKET DOOR**

NOTES:

- 1) ANTI-LIFT BLOCKS (ITEM #15) REQ'D ABOVE ALL ACTIVE PANELS (X).
- 2) STAGGER ANCHORS ABOUT INTERLOCK CENTERLINES - MIN. 4" O.C., ANCHOR THRU ANTI-LOCK BLOCKS AT HEAD.
- 3) FOR BYPASS ANCHORAGE, DISMISS THE CLUSTERS NEAR THE POCKET (SHOWN ON RIGHT) AND REPLACE WITH END CLUSTERS (SHOWN ON LEFT)

CONFIGURATION NOTES:

- 1) POCKET WALL OR CAVITY IS NOT PART OF THIS APPROVAL AND IS TO BE DESIGNED BY OTHERS AND REVIEWED BY THE AUTHORITY HAVING JURISDICTION.

Title: VINYL SLIDING GLASS DOOR (LM)		Drawn By: JENS ROSOWSKI	
Description: FRAME ANCHORAGE, 3T		Date: 03/24/21	
Revision: MINOR EDITORIAL UPDATES		Rev. By: LMY	Rev. Date: 08/17/23
Series/Model: SGD3130V	Scale: NTS	Sheet: 6 OF 7	Drawing No.: SGD3130FBC-1
		Rev: A	

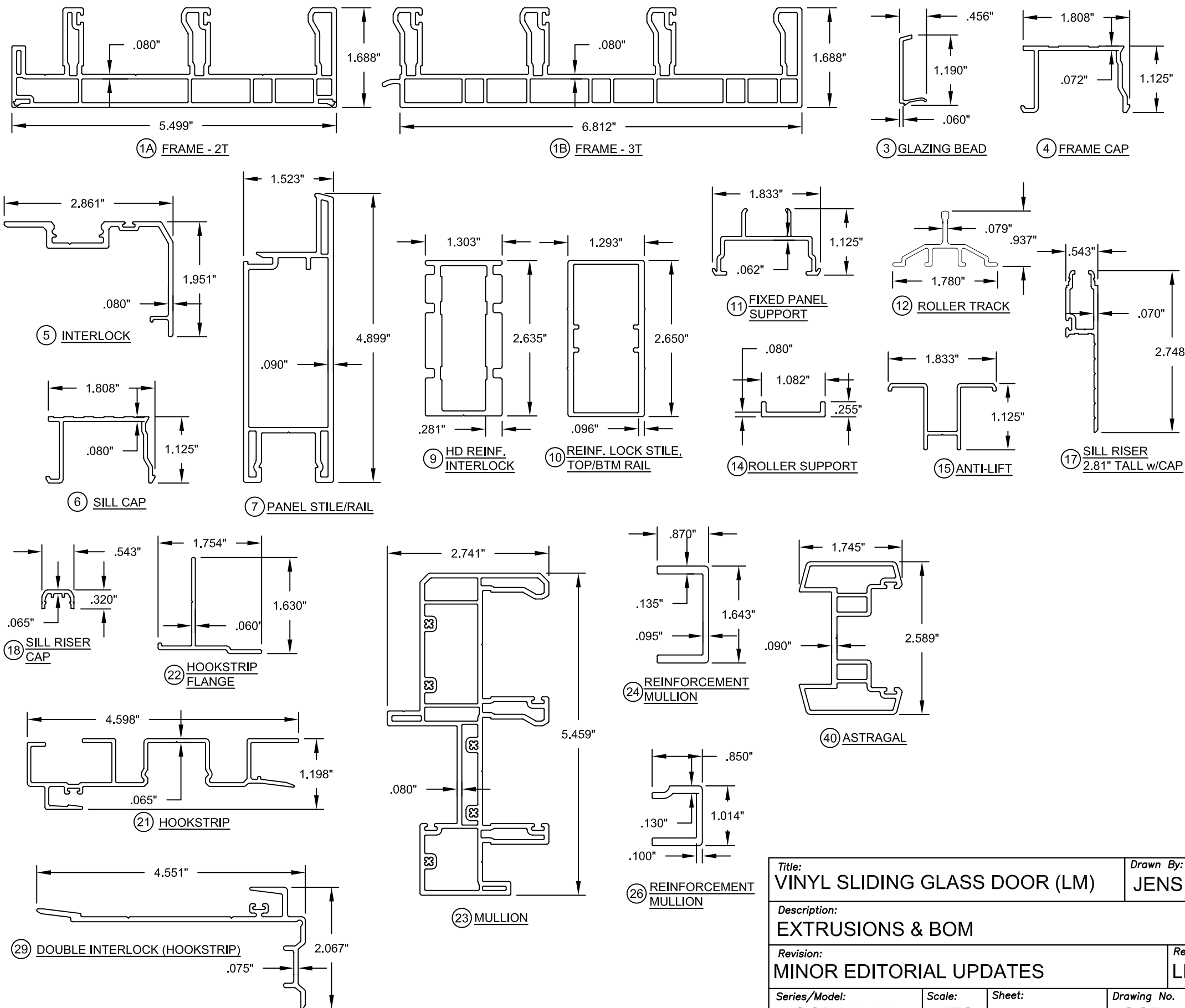
Impact Resistant Windows & Doors
WE'RE STRONGER™

3780 W 104TH STREET
HIALEAH, FL 33018
(305) 593-6590

PREPARED BY A. LYNN MILLER
1070 TECHNOLOGY DRIVE
N. VENICE, FL 34275
(941) 480-1600

COPYRIGHT © 2021
CGI WINDOWS AND DOORS, INC.
LIMITED LICENSE TO MAKE
COPIES FOR PERMITTING.
REGISTRATION #29296

ANTHONY LYNN MILLER
LICENSE
No. 58705
8/18/23
STATE OF
FLORIDA
PROFESSIONAL ENGINEER
A. LYNN MILLER, P.E.
P.E.# 58705



BILL OF MATERIALS		
ITEM #	DESCRIPTION	MATERIAL
1A	FRAME - 2T	PVC
1B	FRAME - 3T	PVC
3	GLAZING BEAD	PVC
4	FRAME CAP (JAMB COVER)	PVC
5	INTERLOCK	6063-T5
6	SILL CAP (THRESHOLD)	6063-T5
7	PANEL STILE/RAIL	PVC
9	HD REINFORCEMENT (INTERLOCK)	6065-T5
10	REINFORCEMENT (LOCK STILE, TOP/BTM RAIL)	6065-T5
11	FIXED PANEL SUPPORT	6065-T5
12	ROLLER TRACK	6063-T5
14	ROLLER SUPPORT	6063-T5
15	ANTI-LIFT OUT BLOCK	6063-T5
17	STANDARD SILL RISER	6063-T5
18	SILL RISER CAP	6063-T5
21	HOOKSTRIP	6063-T5
22	HOOKSTRIP FLANGE	6063-T5
23	MULLION (OFFSET BUTTSTILE)	PVC
24	REINFORCEMENT - MULLION (LARGE)	6063-T5
25	ROLLER ASSEMBLY	STEEL
26	REINFORCEMENT - MULLION (SMALL)	6063-T5
27	CORNER KEY	PVC
29	DOUBLE INTERLOCK (PANEL TO HOOKSTRIP)	6063-T5
30	LOCK AND HANDLE	-
31	STRIKE PLATE	-
39	SCREW COVER (HOOKSTRIP)	PVC
40	ASTRAGAL	6063-T5
41	WTSP, .187 x .290 Poly Fin	
42	WTSP, 0.8125" x 0.875" x 4" Fuzzy Pad (TOP/BTM RAIL)	
43	WTSP, 1.87" x 4" Fuzzy Pad	
44	WTSP, 1.25" x 4" Fuzzy Pad	
G	#8 X 1" PPH SMS	STEEL
H	#10 X 2-1/2" PPH SMS	STEEL
K	#8 X 1/2" PPH SMS	STEEL
L	#10 X 3" PPH SMS	STEEL
P	#8 X 1-1/2" PPH SMS	STEEL

PVC EXTRUSIONS ARE TO BE PRODUCED BY EXTRUDERS' LICENSEES UNDER "AAMA CERTIFICATION PROGRAMS FOR RIGID PVC EXTRUSIONS".

Title: VINYL SLIDING GLASS DOOR (LM)		Drawn By: JENS ROSOWSKI	
Description: EXTRUSIONS & BOM		Date: 03/24/21	
Revision: MINOR EDITORIAL UPDATES		Rev. By: LMY	Rev. Date: 08/17/23
Series/Model: SGD3130V	Scale: NTS	Sheet: 7 OF 7	Drawing No. SGD3130FBC-1
		Rev: A	

CGI Impact Resistant Windows & Doors
WE'RE STRONGER™

3780 W 104TH STREET
HIALEAH, FL 33018
(305) 593-6590

PREPARED BY A. LYNN MILLER
1070 TECHNOLOGY DRIVE
N. VENICE, FL 34275
(941) 480-1600

COPYRIGHT © 2021
CGI WINDOWS AND DOORS, INC.
LIMITED LICENSE TO MAKE
COPIES FOR PERMITTING.
REGISTRATION #29296

ANTHONY LYNN MILLER
LICENSE
No. 58705
8/18/23
STATE OF FLORIDA
PROFESSIONAL ENGINEER
A. LYNN MILLER, P.E.
P.E.# 58705