

SIMPSON DOOR CO.

Mahogany Opaque Single Outswing Door w/Sidelites & Transom Hemlock/Fir Opaque Single Outswing Door w/Sidelites & Transom

INSTALLATION ANCHORAGE DETAILS

PROJECT NO. 421-0102	REV	DESCRIPTION	DATE	BY

SIMPSON DOOR COMPANY 400 SIMPSON AVE. MCCLEARY, WA 98557	DRAWN BY: RJA	SCALE: N.T.S.	DATE: 6/18/21	DRAWING NO: SIMP0022	SHEET: 1 OF 11
			TITLE: OPAQUE WOOD DOOR W/ & W/O SIDELITES & TRANSOM GENERAL AND INSTALLATION NOTES		

Robert J. Amoruso, P.E.
Florida P.E. No. 49752

GENERAL NOTES:

- THIS PRODUCT IS DESIGNED TO COMPLY WITH THE CURRENT EDITION OF THE FLORIDA BUILDING CODE - BUILDING (FBC) AND RESIDENTIAL (FRC) REQUIREMENTS EXCLUDING THE HIGH VELOCITY HURRICANE ZONE (HVHZ) AT THE DESIGN PRESSURE(S) STATED HEREIN. THE PRODUCT DETAILS CONTAINED HEREIN ARE BASED UPON SIGNED AND SEALED TEST REPORT # NCTL-210-4190-3 & NCTL-210-4190-4 AND ASSOCIATED LABORATORY STAMPED DRAWINGS.
- ADEQUACY OF THE EXISTING STRUCTURAL CONCRETE / MASONRY AND 2X FRAMING AS A MAIN WIND FORCE RESISTING SYSTEM CAPABLE OF WITHSTANDING AND TRANSFERRING APPLIED PRODUCT LOADS TO THE STRUCTURE IS THE RESPONSIBILITY OF THE ENGINEER OR ARCHITECT OF RECORD.
- 1X AND 2X BUCKS (WHEN USED) SHALL BE DESIGNED AND ANCHORED TO PROPERLY TRANSFER ALL LOADS TO THE STRUCTURE. BUCK DESIGN AND INSTALLATION IS THE RESPONSIBILITY OF THE ENGINEER OR ARCHITECT OF RECORD.
- IN AREAS WHERE WIND-BORNE DEBRIS PROTECTION REQUIREMENTS EXIST, USE OF AN APPROVED IMPACT PROTECTIVE SYSTEM IS REQUIRED.
- DOOR FRAME OR COMPONENTS STRUCTURAL CORE MATERIAL: LAMINATED VENEER LUMBER (LVL) AND/OR FIR OR PINE FINGERJOINTED AND EDGE GLUED CORE MATERIAL. USE OF ALTERNATE WOOD VENEERS ON THE SAME STRUCTURAL CORE MATERIAL IS ACCEPTABLE FOR THIS PRODUCT. LVL MAY BE EITHER VERTICAL OR HORIZONTAL ORIENTATION.
- GLASS MEETS THE REQUIREMENTS OF ASTM E1300-12AE1.

- DESIGNATIONS "X" AND "O" STAND FOR THE FOLLOWING:
X: OPERABLE PANEL
O: FIXED PANEL
- PERIMETER AND JOINT SEALANT BY OTHERS TO BE DETAILED IN ACCORDANCE WITH THE FBC, RESIDENTIAL AND BUILDING VOLUMES AND WITH FMA/AAMA/WDMA PROTOCOLS. PERIMETER AND JOINT SEALANT IS SHOWN FOR ILLUSTRATIVE PURPOSES ONLY AND IS NOT PART OF THIS PRODUCT APPROVAL DOCUMENT.

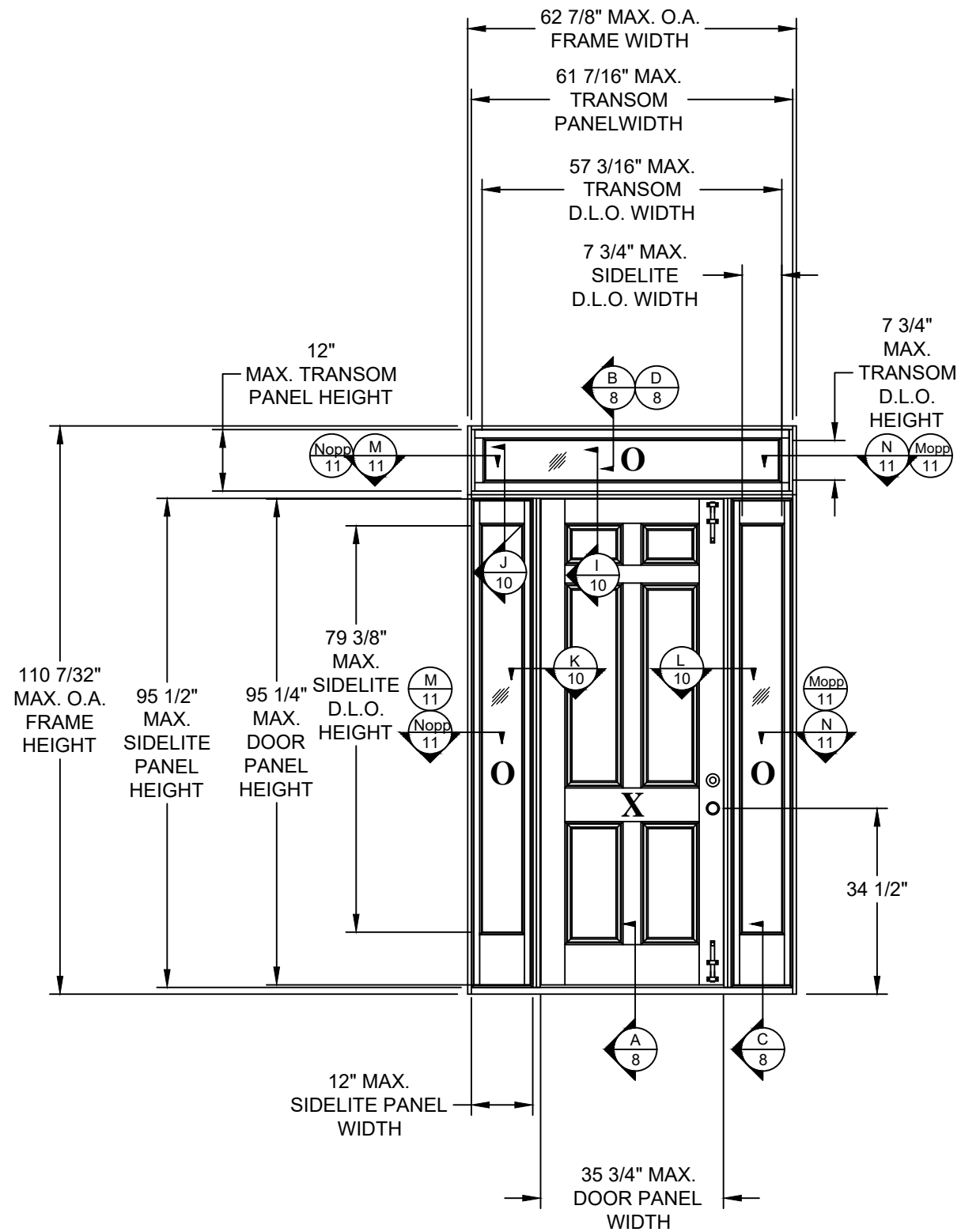
INSTALLATION NOTES:

- ONE (1) INSTALLATION ANCHOR IS REQUIRED AT EACH ANCHOR LOCATION SHOWN.
- THE NUMBER OF INSTALLATION ANCHORS DEPICTED ARE THE MINIMUM NUMBER OF ANCHORS TO BE USED FOR PRODUCT INSTALLATION. ANCHORS ARE TO MATCH TYPE, SIZE, AND EMBEDMENT OF THOSE SHOWN HEREIN FOR RESPECTIVE SUBSTRATE.
- SHIM AS REQUIRED AT EACH INSTALLATION ANCHOR WITH LOAD BEARING SHIM(S). MAXIMUM ALLOWABLE SHIM SIZE IS 1/4 INCH. SHIM WHERE SPACE OF 1/16 INCH OR GREATER OCCURS. SHIM(S) SHALL BE CONSTRUCTED OF HIGH DENSITY PLASTIC OR BETTER.
- FOR INSTALLATION INTO WOOD FRAMING, USE #10 WOOD SCREWS OF SUFFICIENT LENGTH TO ACHIEVE 1 1/2 INCH MINIMUM EMBEDMENT. MINIMUM EDGE DISTANCE IS 3/4 INCHES.
- FOR INSTALLATION THROUGH 1X BUCK TO CONCRETE / MASONRY, OR DIRECTLY INTO CONCRETE / MASONRY, USE 1/4 INCH ITW TAPCONS (ADVANCED THREADFORM) OF SUFFICIENT LENGTH TO ACHIEVE 1 3/4 INCH MINIMUM EMBEDMENT INTO CONCRETE AND 1 INCH MINIMUM EMBEDMENT INTO MASONRY. MINIMUM EDGE DISTANCE IS 2-1/2 INCHES FOR CONCRETE AND MASONRY.
- MINIMUM EMBEDMENT AND EDGE DISTANCE EXCLUDE WALL FINISHES (INCLUDING BUT NOT LIMITED TO STUCCO, FOAM, BRICK VENEER AND SIDING).

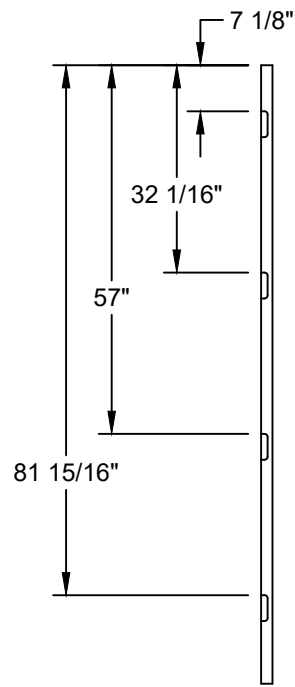
- FOR CONCRETE BLOCK, DO NOT INSTALL INSTALLATION ANCHORS INTO MORTAR JOINTS. EDGE DISTANCE IS MEASURED FROM FREE EDGE OF BLOCK OR EDGE OF MORTAR JOINT INTO FACE SHELL OF BLOCK.
- INSTALLATION ANCHOR CAPACITIES FOR PRODUCTS HEREIN ARE BASED ON SUBSTRATE MATERIALS WITH THE FOLLOWING PROPERTIES:
 - WOOD - MINIMUM SPECIFIC GRAVITY OF 0.42 (NON-HVHZ).
 - CONCRETE - MINIMUM COMPRESSIVE STRENGTH OF 2500 PSI.
 - MASONRY - STRENGTH CONFORMANCE TO ASTM C-90 MEDIUM WEIGHT WITH COMPRESSIVE STRENGTH OF 1900 psi (DENSITY > 117 PCF).

TABLE OF CONTENTS		
SHEET	REV.	SHEET DESCRIPTION
1	---	GENERAL AND INSTALLATION NOTES
2	---	ELEVATION AND ANCHOR LAYOUT
3	---	ELEVATION AND ANCHOR LAYOUT
4	---	ELEVATION AND ANCHOR LAYOUT
5	---	ELEVATION AND ANCHOR LAYOUT
6	---	ELEVATION AND ANCHOR LAYOUT
7	---	ELEVATION AND ANCHOR LAYOUT
8	---	VERTICAL SECTIONS
9	---	VERTICAL SECTIONS
10	---	VERTICAL & HORIZONTAL SECTIONS, GLAZING DETAIL
11	---	HORIZONTAL SECTIONS

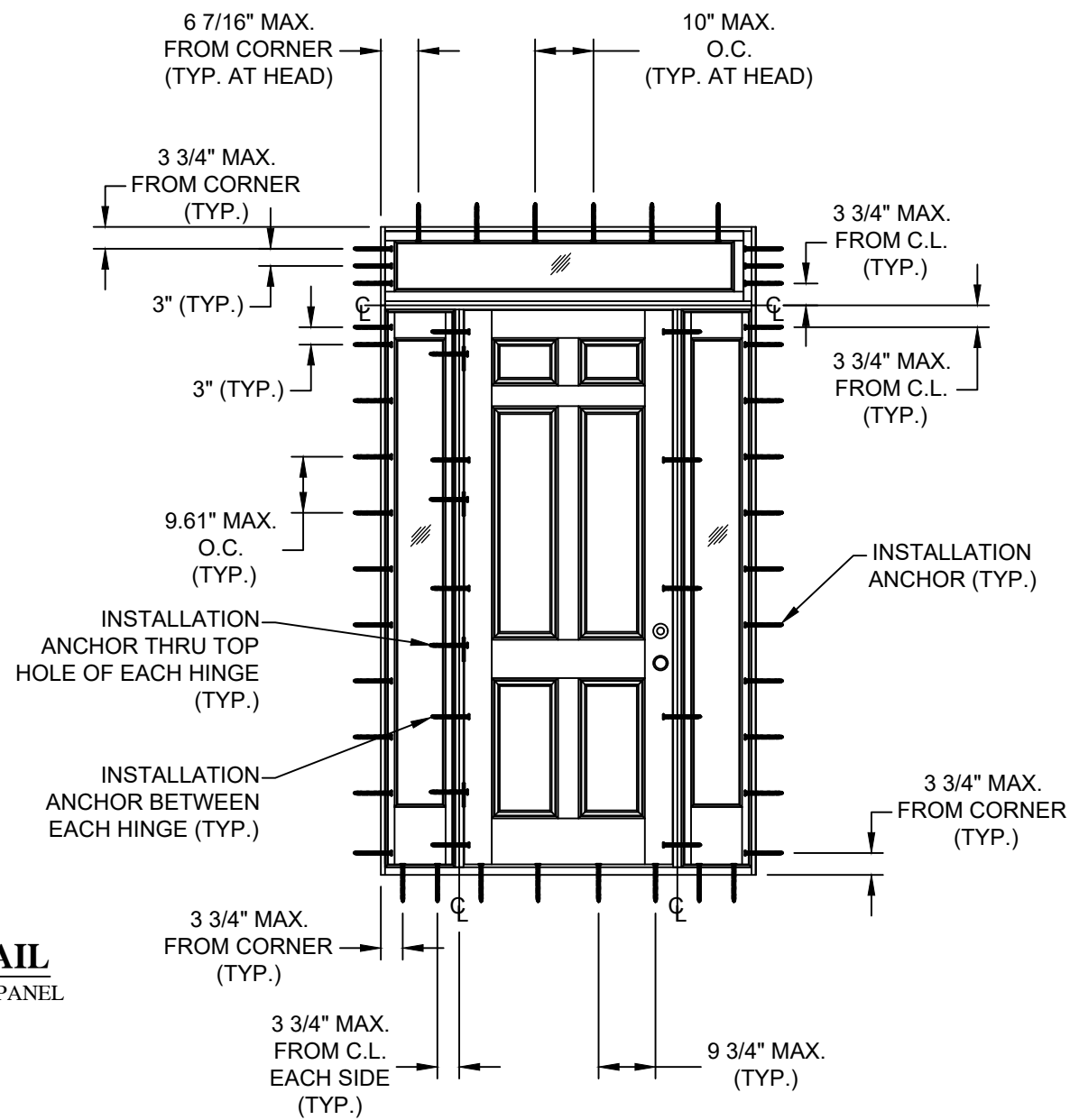
DESIGN PRESSURE RATING (PSF)		IMPACT RATING
WHERE WATER INFILTRATION REQUIREMENT IS NEEDED	WHERE WATER INFILTRATION REQUIREMENT IS NOT NEEDED	NONE
±50.0	±50.0	



ELEVATION
INTERIOR VIEW



HINGE DETAIL
SIDE VIEW OF DOOR PANEL



ANCHOR LAYOUT
EXTERIOR VIEW

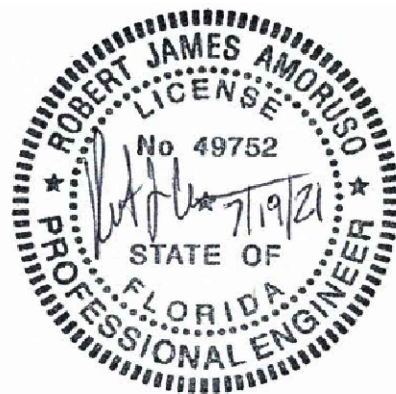
PROJECT NO. 421-0102

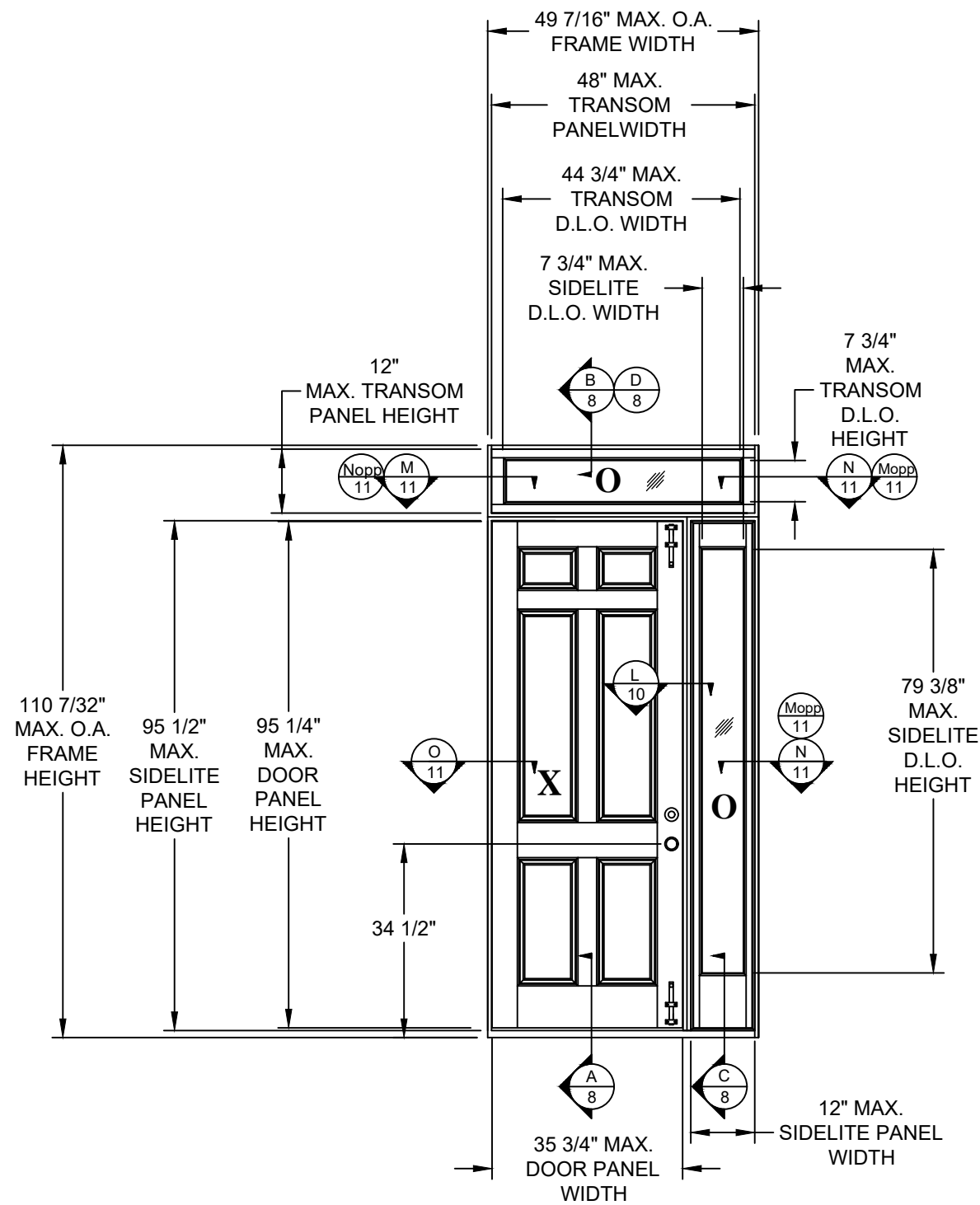
SIMPSON DOOR COMPANY
 400 SIMPSON AVE.
 MCCLEARY, WA 98557
 TITLE: O/S OPAQUE WOOD DOOR W/ & W/O SIDELITES & TRANSOM ELEVATION AND ANCHOR LAYOUT

DATE:	6/18/21
DRAWING NO.:	SIMP0022
DRAWN BY:	RJA
SCALE:	N.T.S.
REV:	---
SHEET:	2 OF 11

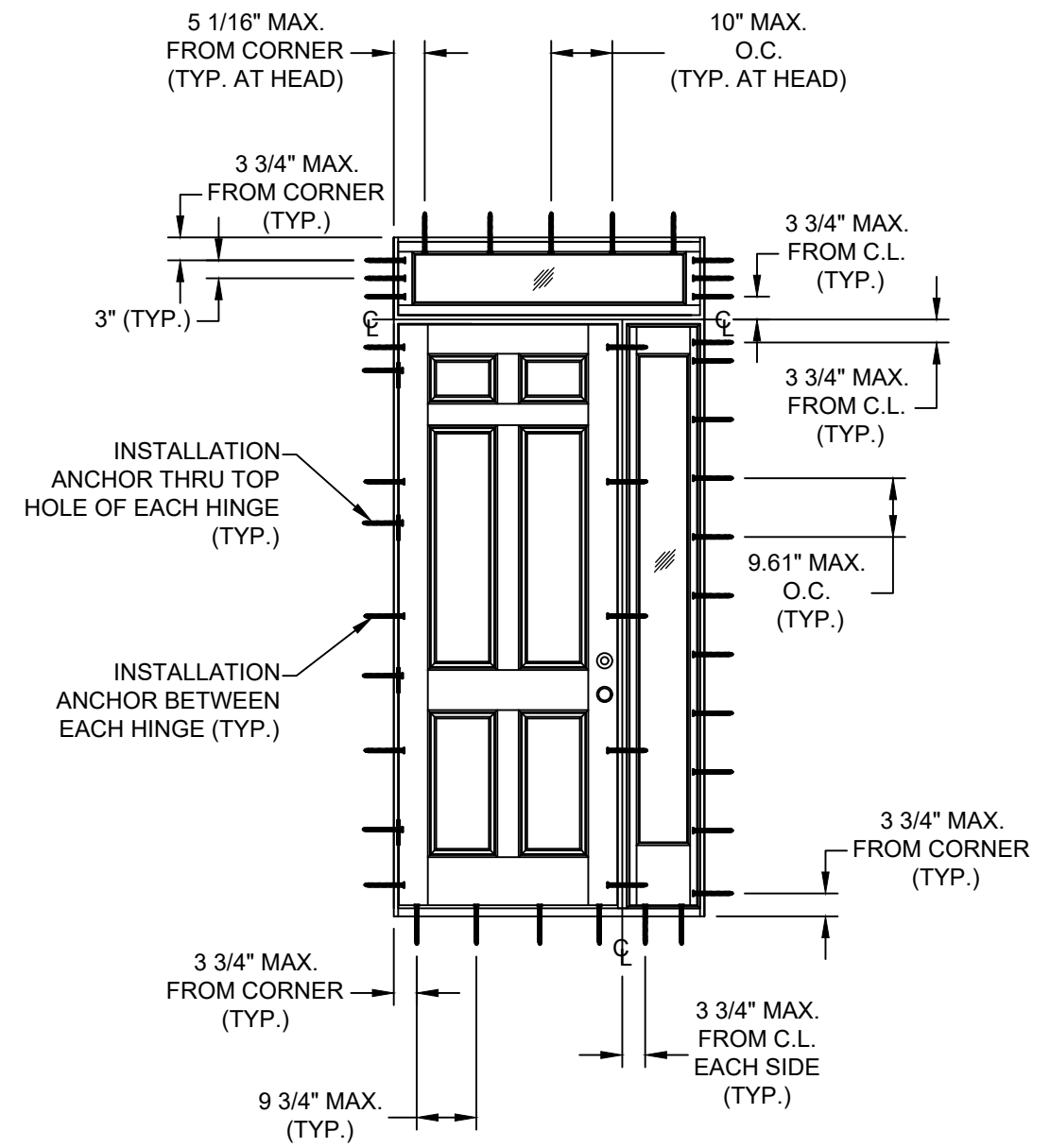


Robert J. Amoruso, P.E.
Florida P.E. No. 49752





ELEVATION
INTERIOR VIEW



ANCHOR LAYOUT
EXTERIOR VIEW

PROJECT NO. 421-0102

REV	DESCRIPTION	DATE	BY

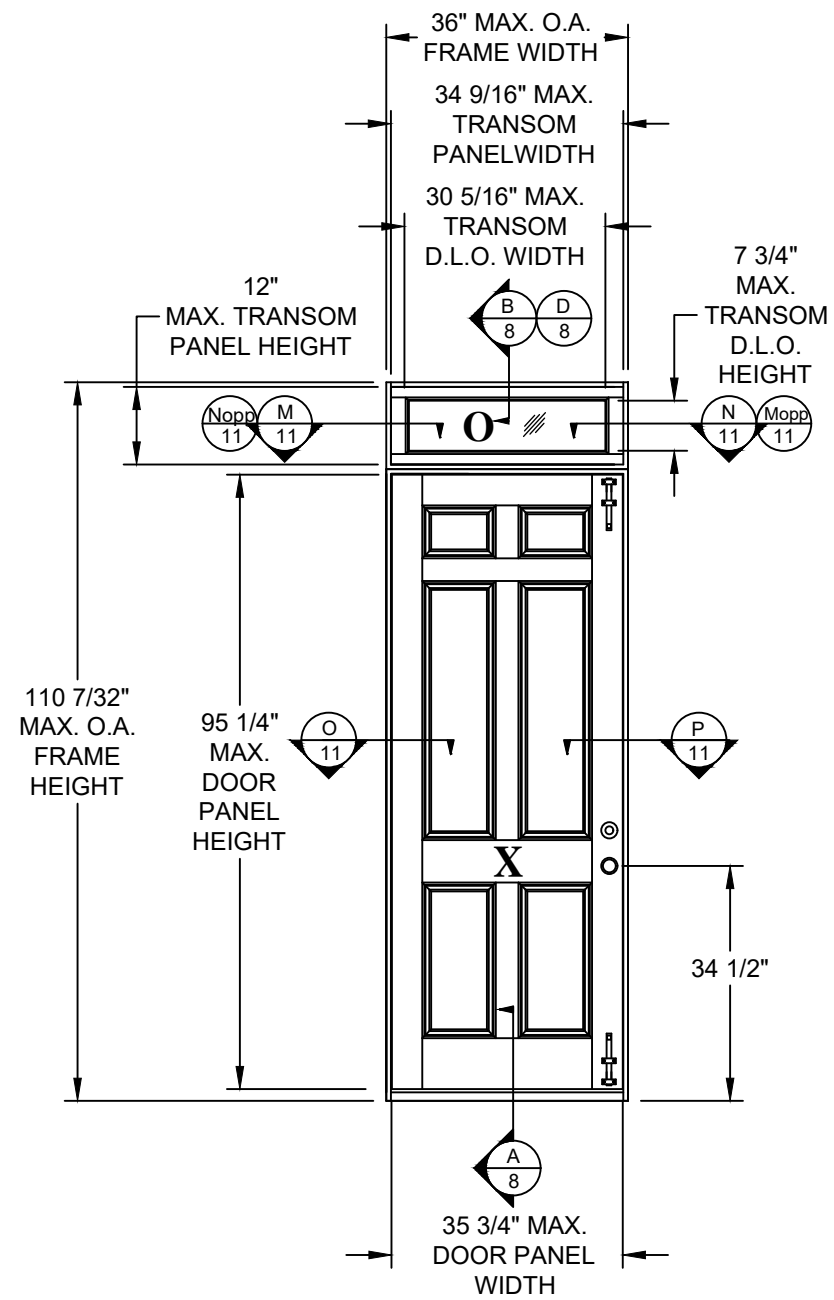
SIMPSON DOOR COMPANY
 400 SIMPSON AVE.
 MCCLEARY, WA 98557

TITLE: O/S OPAQUE WOOD DOOR W/ & W/O SIDELITES & TRANSOM ELEVATION AND ANCHOR LAYOUT

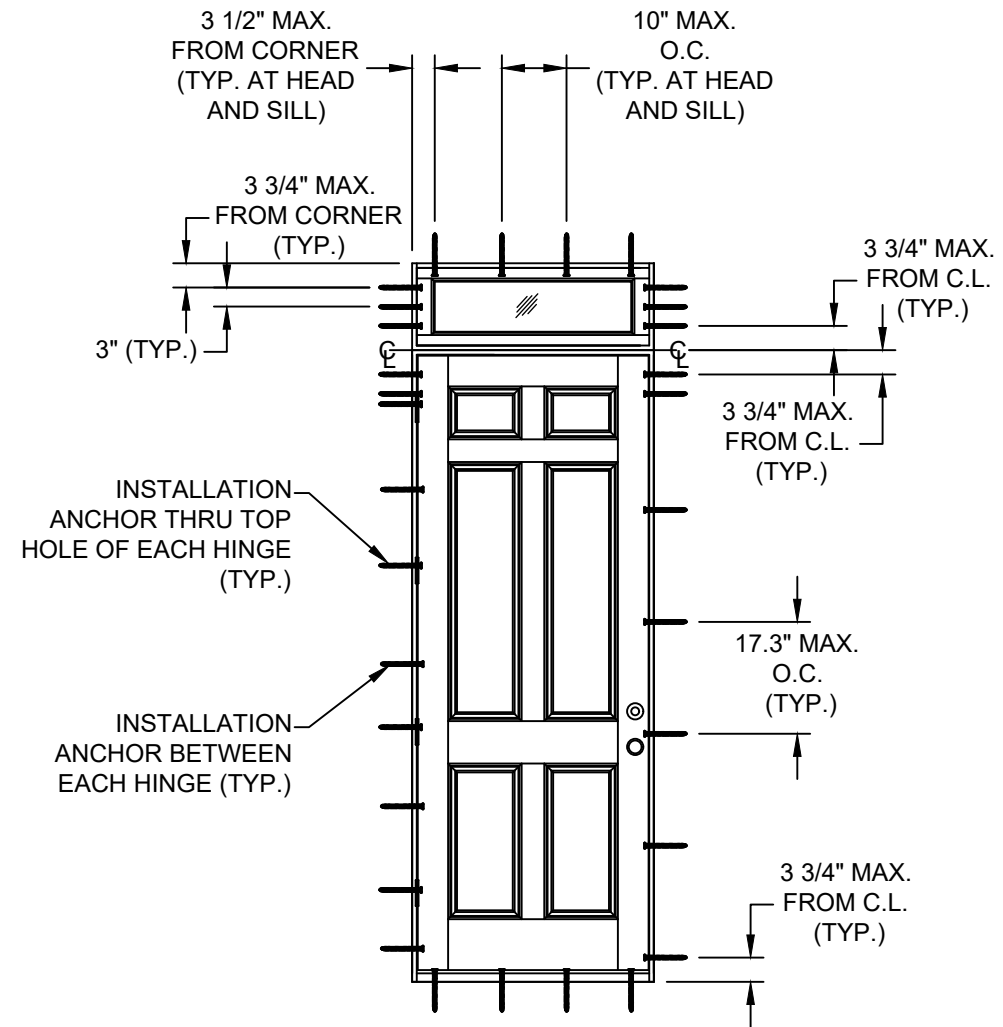
DRAWN BY: RJA
 DATE: 6/18/21
 SCALE: N.T.S.
 DRAWING NO: SIMP0022
 SHEET: 3 OF 11

PREPARED BY: **RF**
 PTC Product Design Group, LLC
 PO Box 320775
 Lenexa, KS 66157-0775
 Phone: 321.690.1788
 Fax: 321.690.1789
 Email: info@ptc-corp.com
 FBPE CA NO: 25595

Robert J. Amoruso, P.E.
 Florida P.E. No. 49752



ELEVATION
 INTERIOR VIEW



ANCHOR LAYOUT
 EXTERIOR VIEW

PROJECT NO. 421-0102

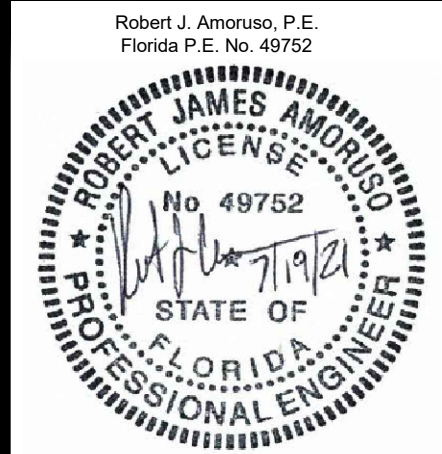
REV	DESCRIPTION	DATE	BY

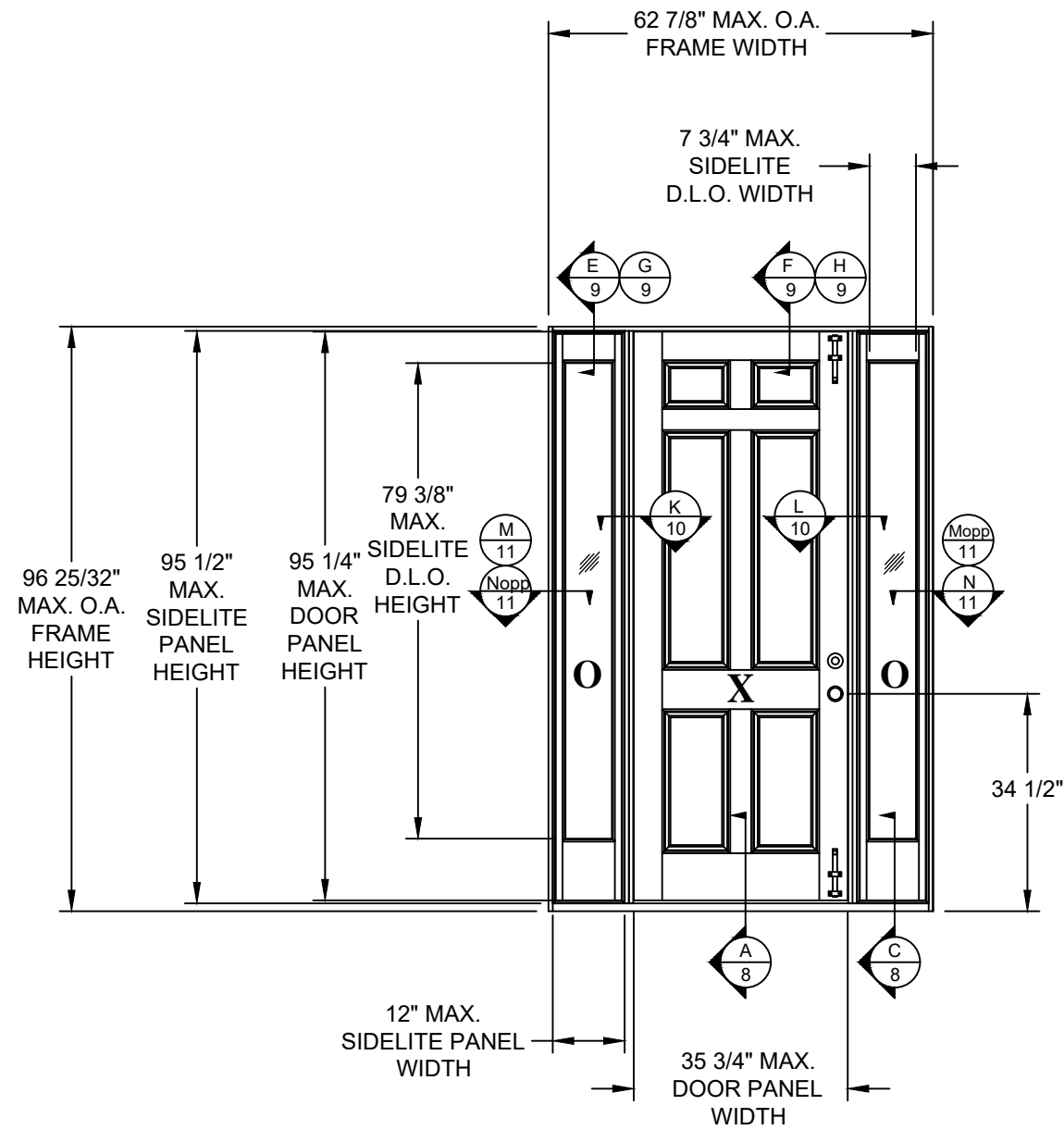
SIMPSON DOOR COMPANY
 400 SIMPSON AVE.
 MCCLEARY, WA 98557

TITLE: O/S OPAQUE WOOD DOOR W/ & W/O SIDELITES & TRANSOM ELEVATION AND ANCHOR LAYOUT

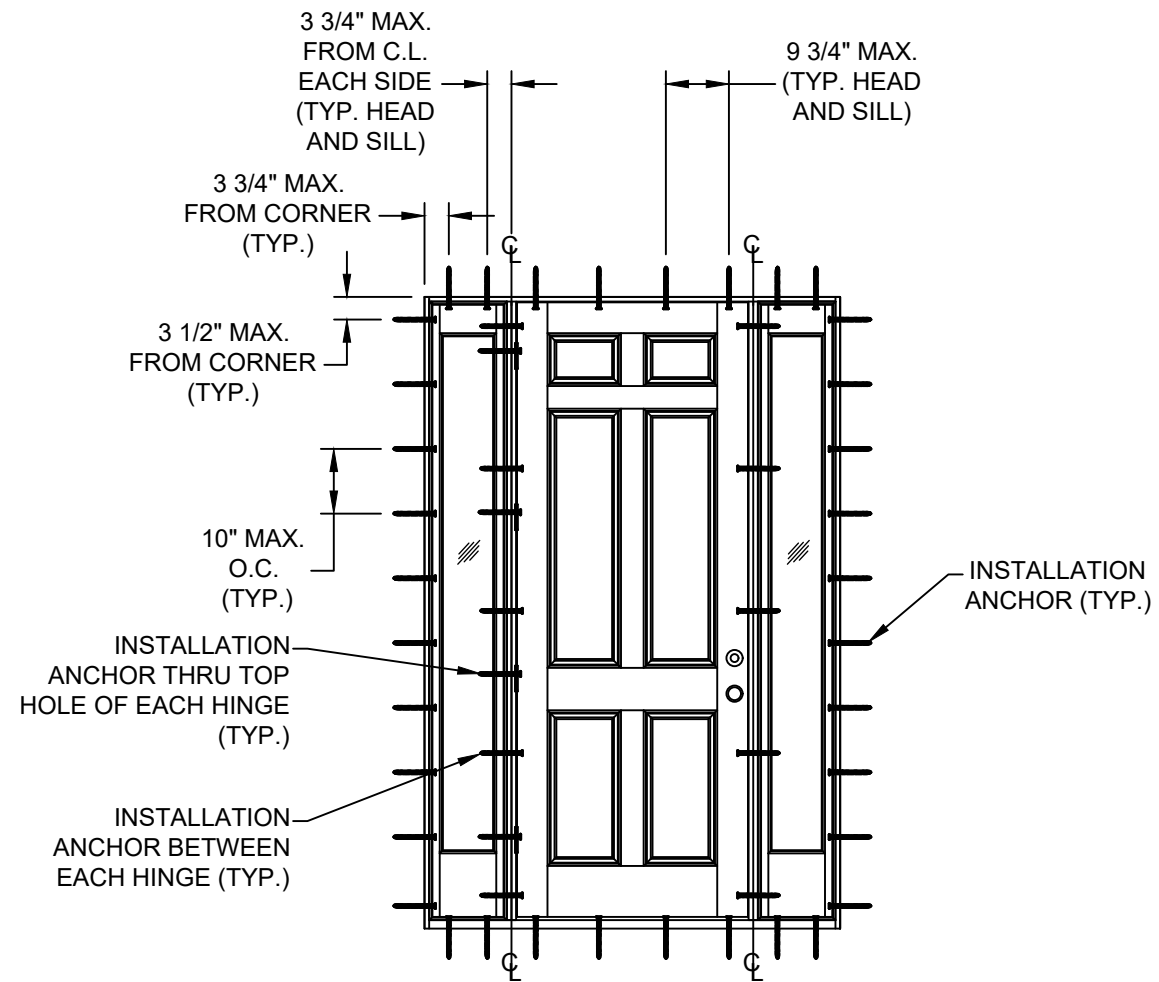
PREPARED BY: RJA
 SCALE: N.T.S.
 DATE: 6/18/21
 DRAWING NO: SIMP0022
 SHEET: 4 OF 11

PTC Product Design Group, LLC
 PO Box 320775
 Lenexa, KS 66247-0775
 Phone: 321.690.1788
 Fax: 321.690.1789
 Email: info@pdc-corp.com
 FBPE GA. NO. 25595





ELEVATION
INTERIOR VIEW



ANCHOR LAYOUT
EXTERIOR VIEW

PROJECT NO. 421-0102

REV	DESCRIPTION	DATE	BY

SIMPSON DOOR COMPANY
400 SIMPSON AVE.
MCCLEARY, WA 98557

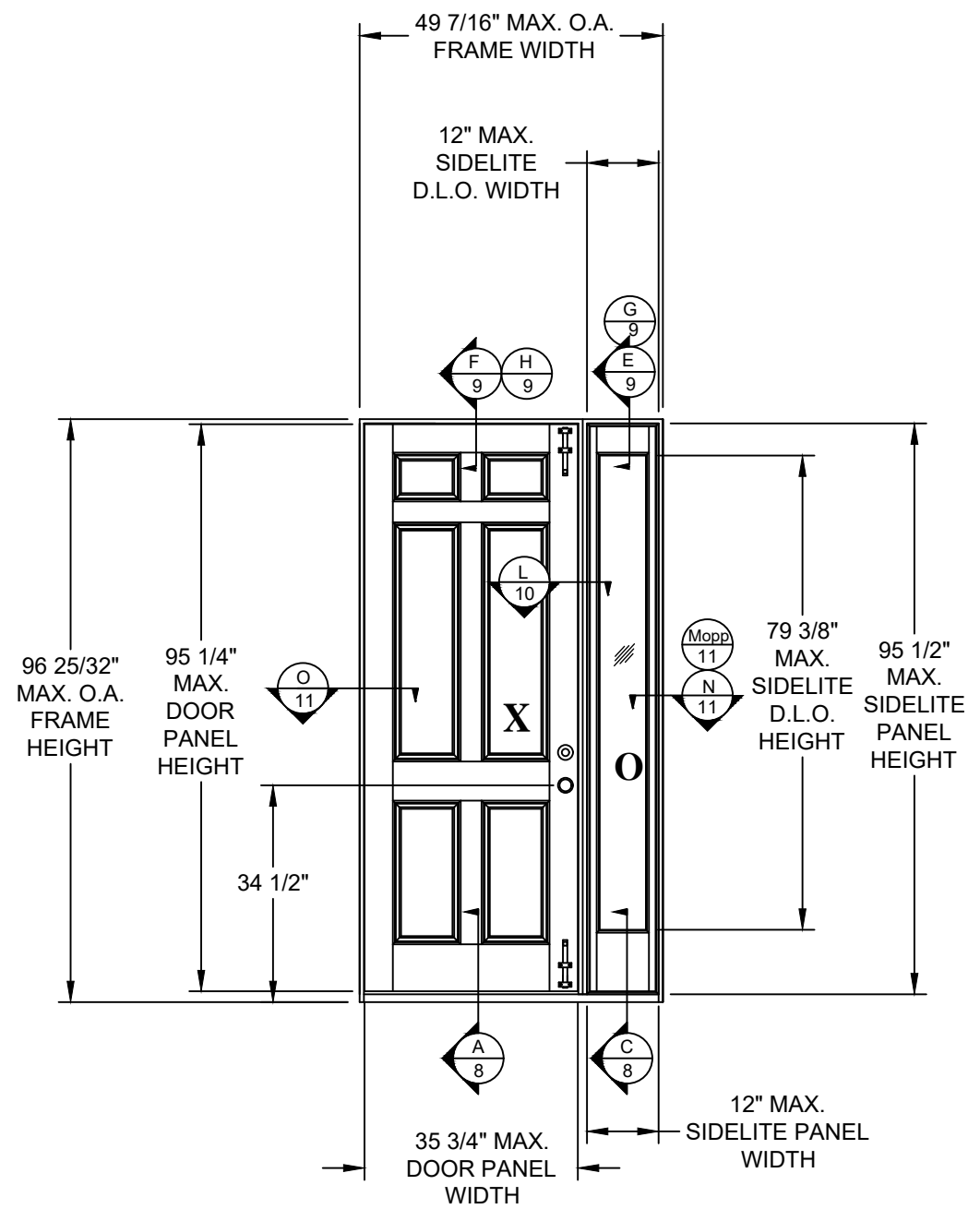
TITLE: O/S OPAQUE WOOD DOOR W/ & W/O SIDELITES & TRANSOM
ELEVATION AND ANCHOR LAYOUT

DATE:	6/18/21
DRAWN BY:	RJA
SCALE:	N.T.S.
DRAWING NO.:	SIMP0022
REV:	---
SHEET:	5 OF 11

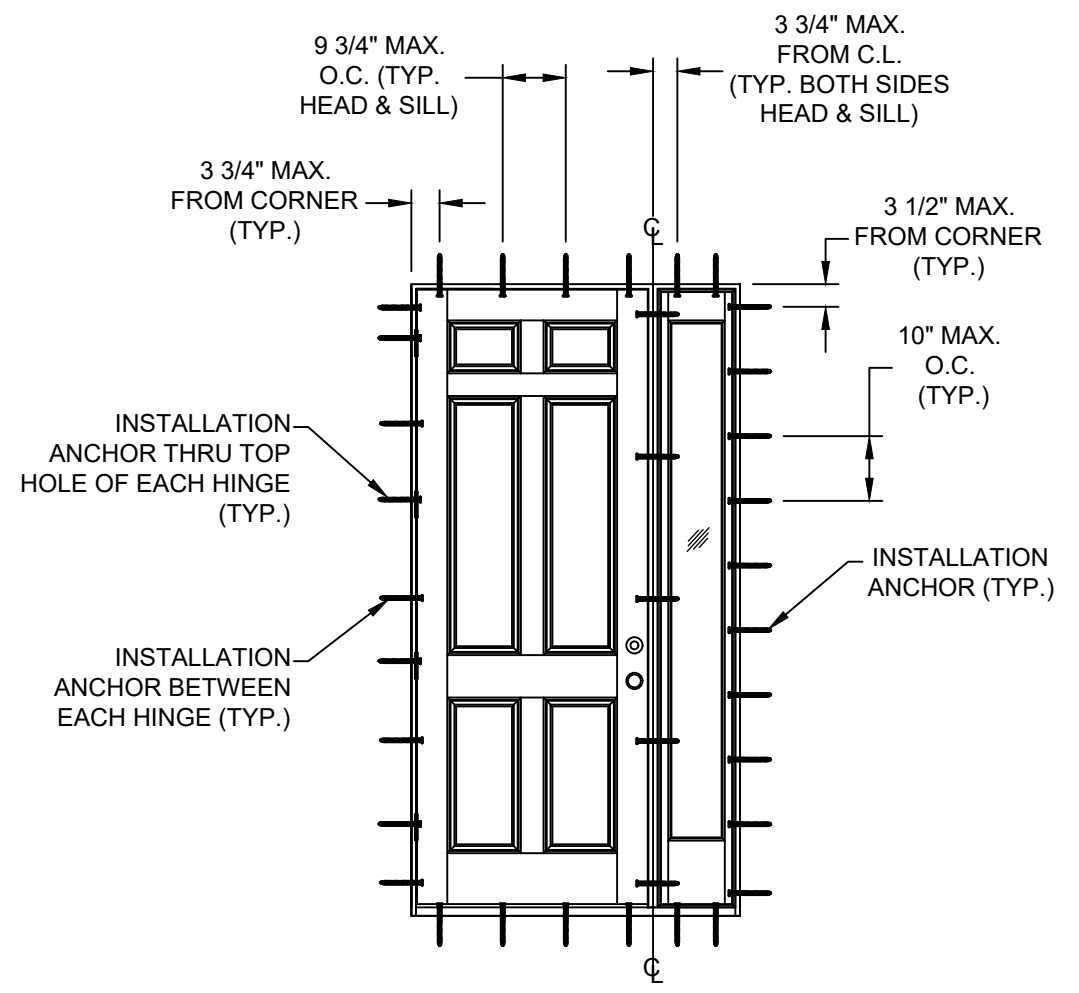
RFI
PIC Product Design Group, LLC
PO Box 1375
Lombard, IL 60148
Phone: 321.690.1788
Fax: 321.690.1789
Email: info@pic-corp.com
FBPE C.A. NO. 25535

Robert J. Amoruso, P.E.
Florida P.E. No. 49752





ELEVATION
INTERIOR VIEW



ANCHOR LAYOUT
EXTERIOR VIEW

PROJECT NO. 421-0102

REV	DESCRIPTION	DATE	BY

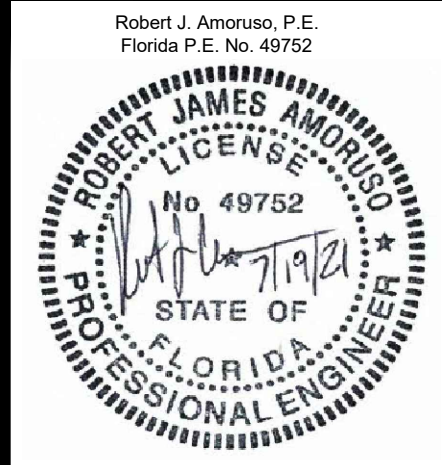
SIMPSON DOOR COMPANY
400 SIMPSON AVE.
MCCLEARY, WA 98557

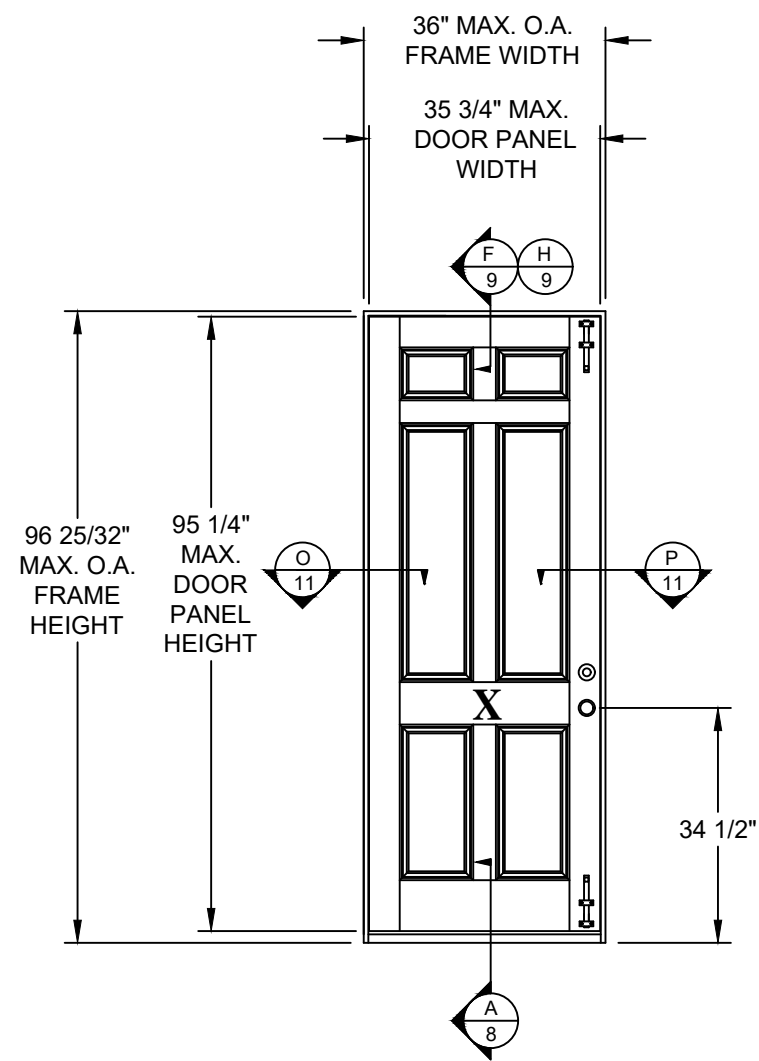
TITLE: O/S OPAQUE WOOD DOOR W/ & W/O SIDELITES & TRANSOM
ELEVATION AND ANCHOR LAYOUT

PREPARED BY: RJA
SCALE: N.T.S.
REV: ---

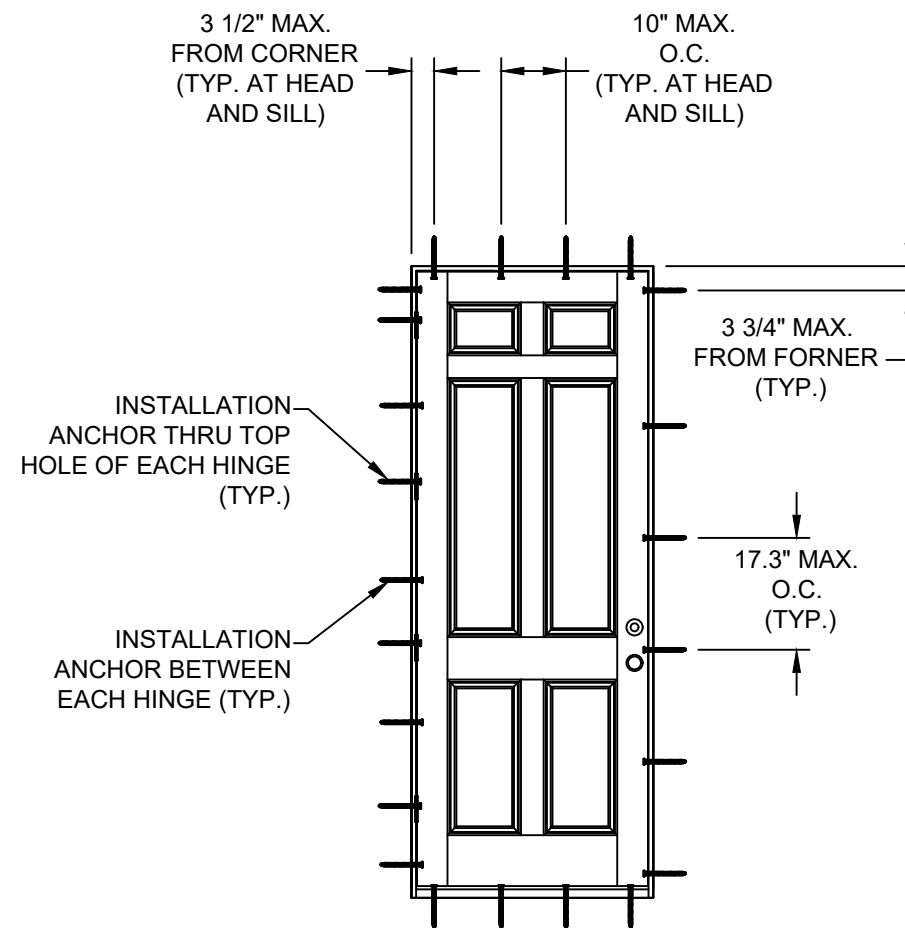
DATE: 6/18/21
DRAWING NO: SIMP0022
SHEET: 6 OF 11

PTC Product Design Group, LLC
PO Box 320775
Lynchburg, VA 24507-0775
Phone: 321.690.1788
Fax: 321.690.1789
Email: info@ptc-corp.com
FBPE GA. NO. 25595





ELEVATION
INTERIOR VIEW



ANCHOR LAYOUT
EXTERIOR VIEW

PROJECT NO. 421-0102

REV	DESCRIPTION	DATE	BY

SIMPSON DOOR COMPANY
400 SIMPSON AVE.
MCCLEARY, WA 98557

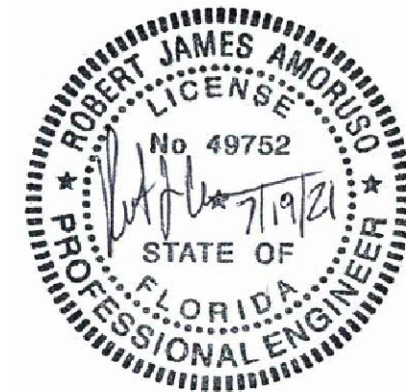
TITLE: O/S OPAQUE WOOD DOOR W/ & W/O SIDELITES & TRANSOM
ELEVATION AND ANCHOR LAYOUT

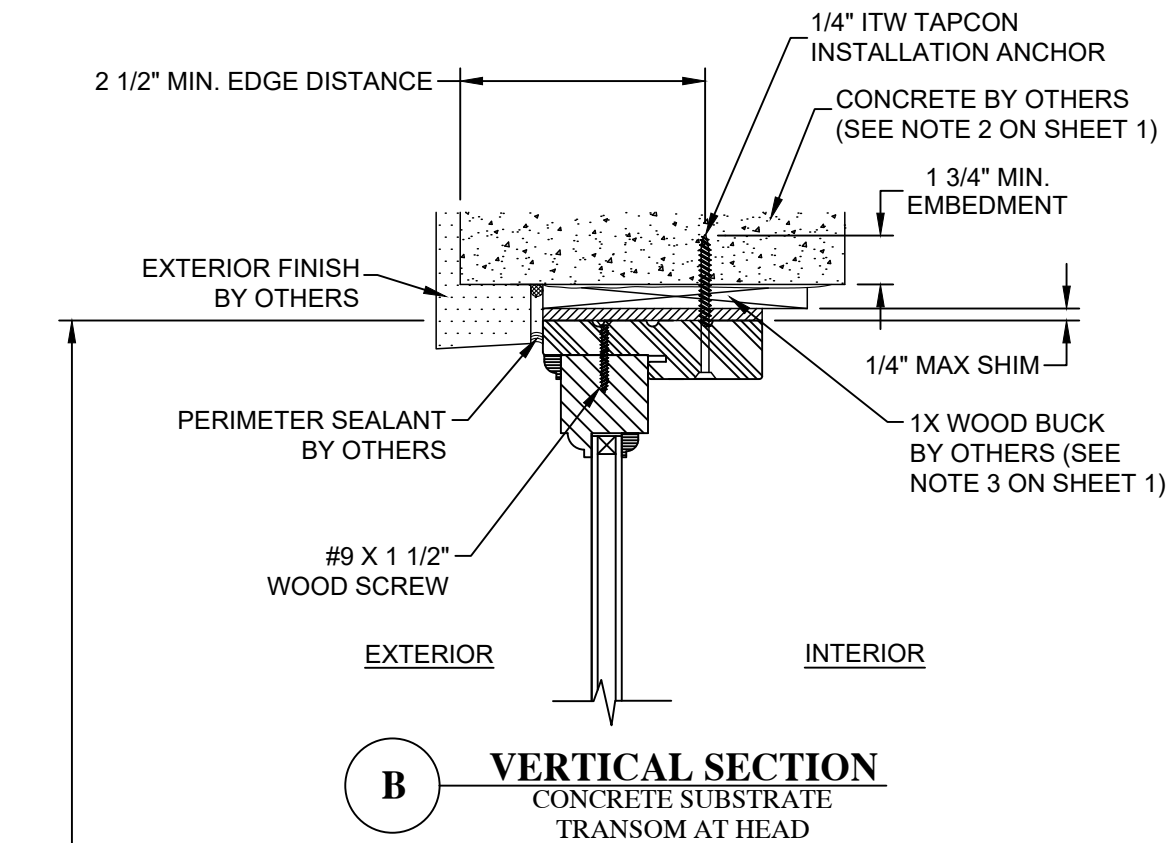
DATE:	DRAWING NO.:	SHEET:
6/18/21	SIMP0022	7 OF 11

PREPARED BY: RJA
SCALE: N.T.S.
REV: ---

Phone: 321.690.1788
Fax: 321.690.1789
PO Box 320775
Lynchburg, VA 24075
FBPE CA. NO. 25595
Email: info@pdc-corp.com

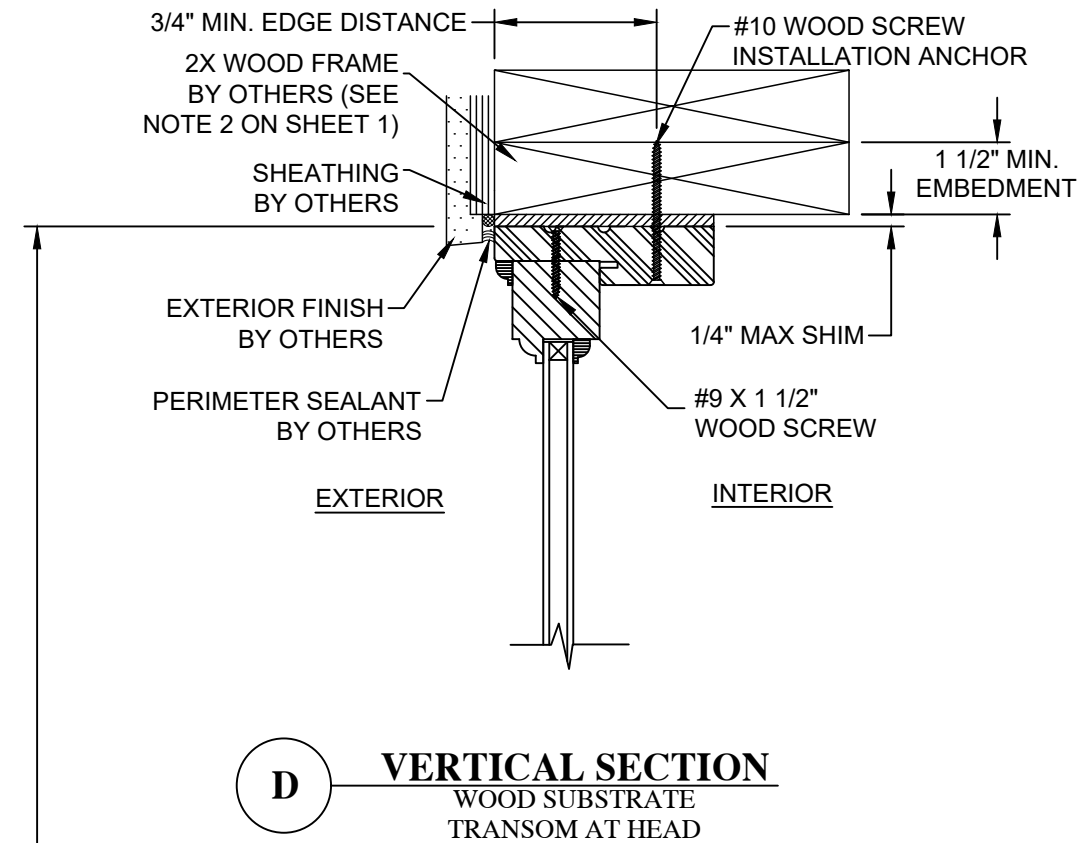
Robert J. Amoruso, P.E.
Florida P.E. No. 49752





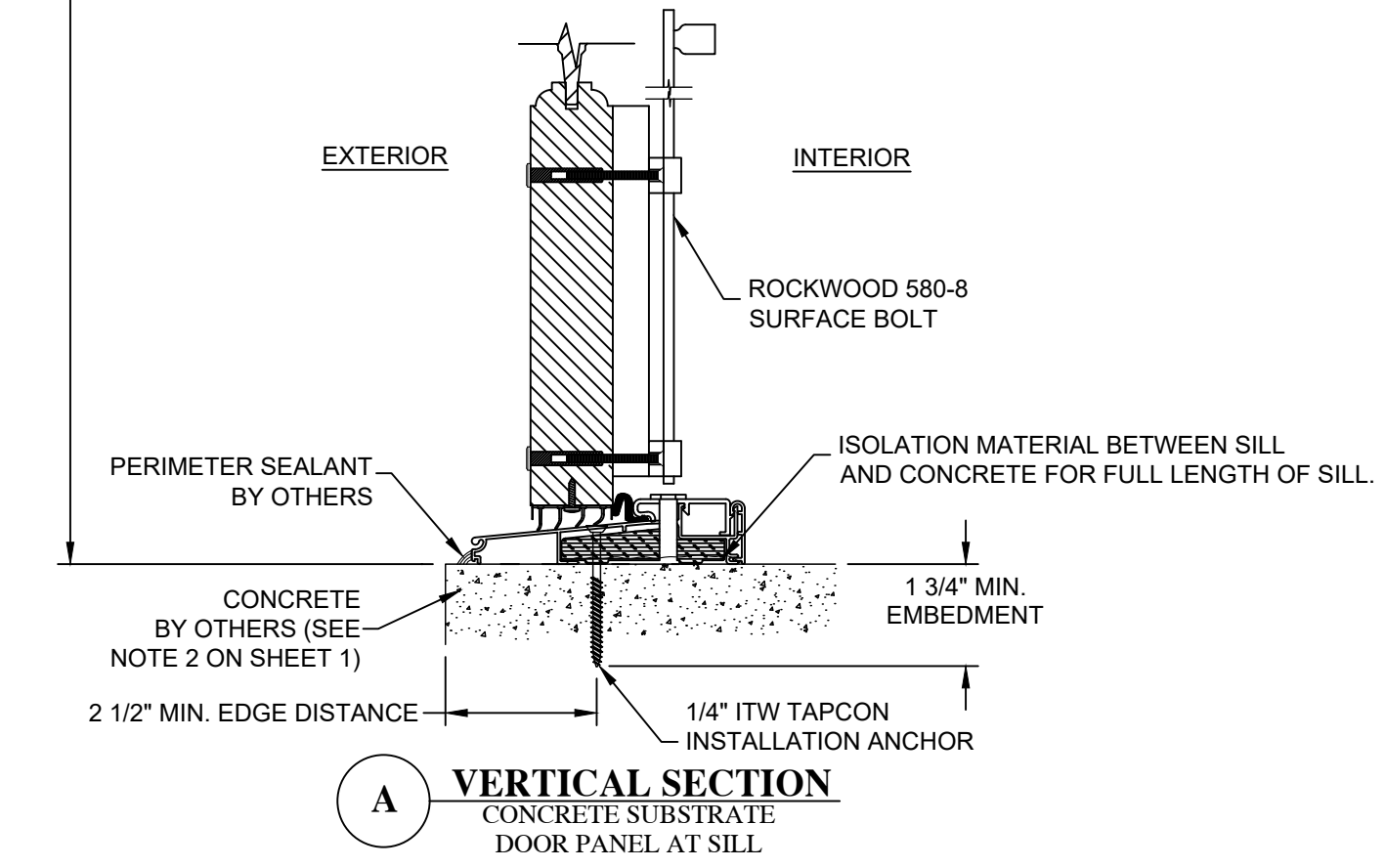
B VERTICAL SECTION
CONCRETE SUBSTRATE
TRANSOM AT HEAD

MAX. O.A. FRAME HEIGHT

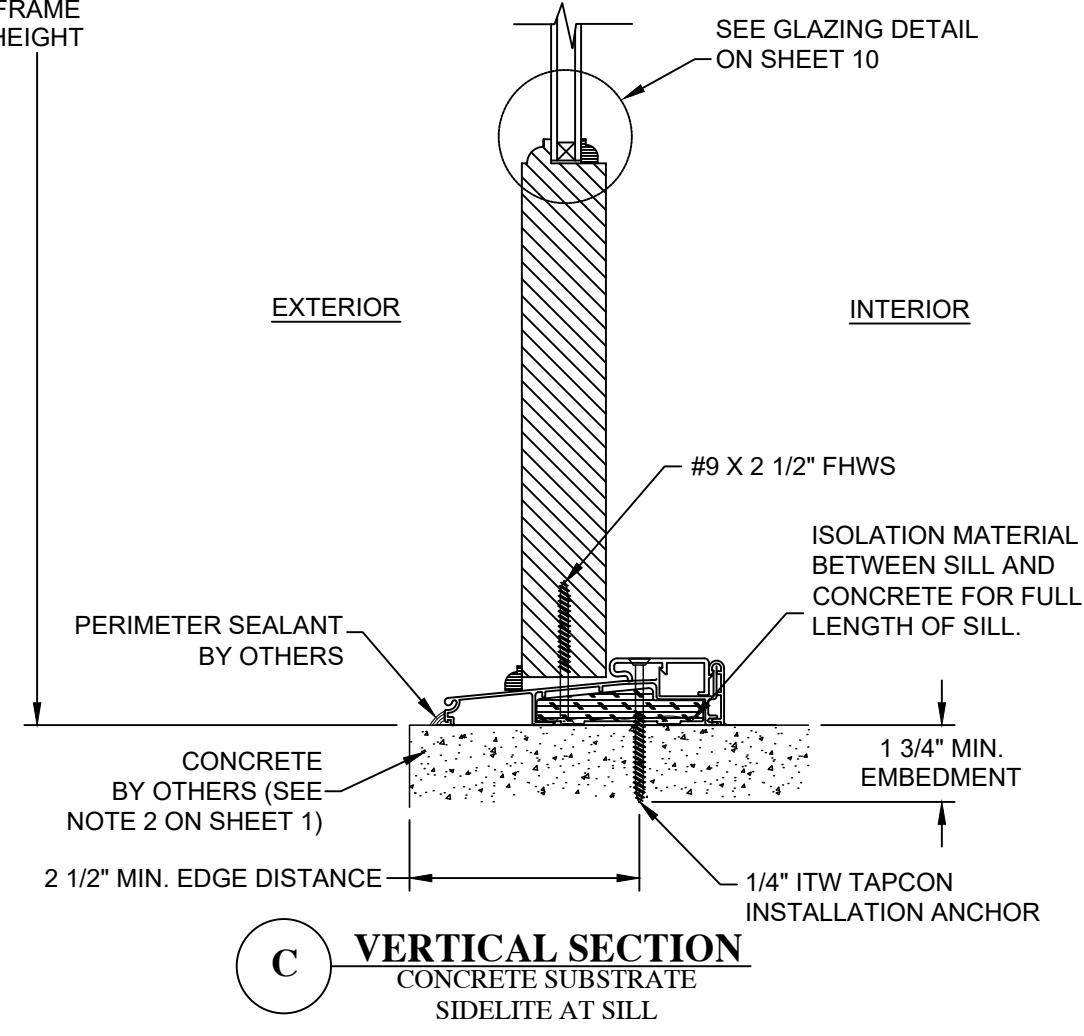


D VERTICAL SECTION
WOOD SUBSTRATE
TRANSOM AT HEAD

MAX. O.A. FRAME HEIGHT



A VERTICAL SECTION
CONCRETE SUBSTRATE
DOOR PANEL AT SILL



C VERTICAL SECTION
CONCRETE SUBSTRATE
SIDELITE AT SILL

PROJECT NO. 421-0102

REV	DESCRIPTION	DATE	BY

SIMPSON DOOR COMPANY
400 SIMPSON AVE.
MCCLEARY, WA 98557

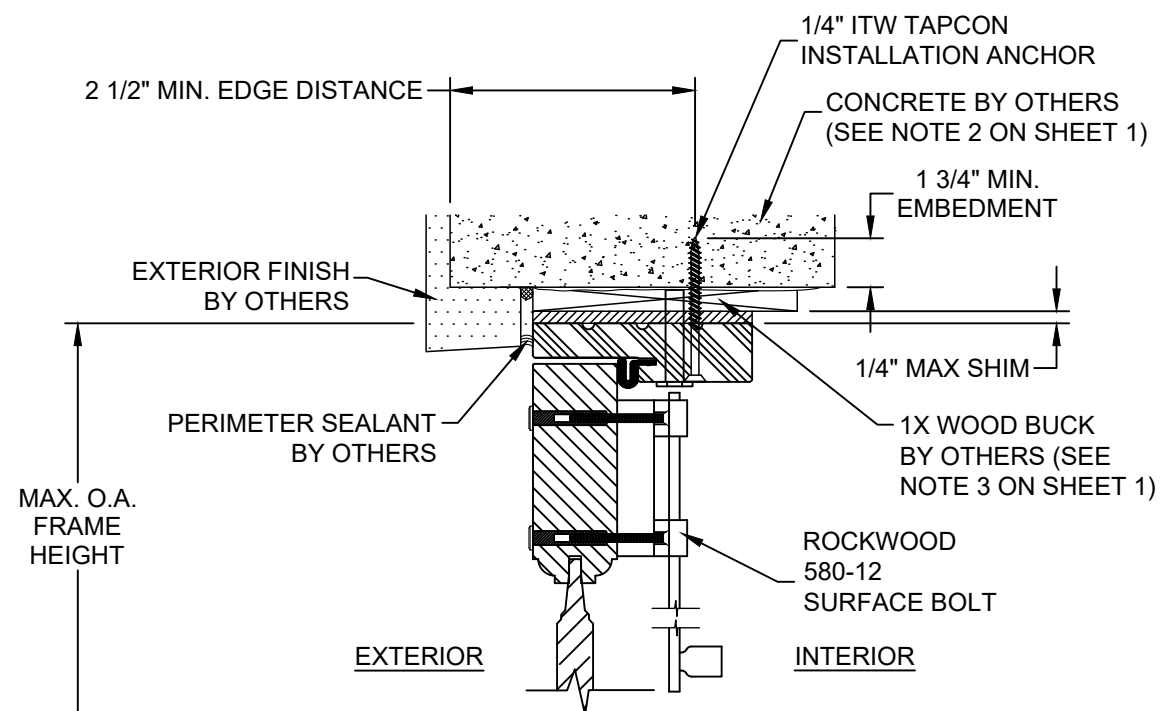
TITLE: O/S OPAQUE WOOD DOOR W/ & W/O SIDELITES & TRANSOM
VERTICAL SECTIONS

DRAWN BY:	RJA	DATE:	6/18/21
SCALE:	N.T.S.	DRAWING NO.:	SIMP0022
REV:	---	SHEET:	8 OF 11

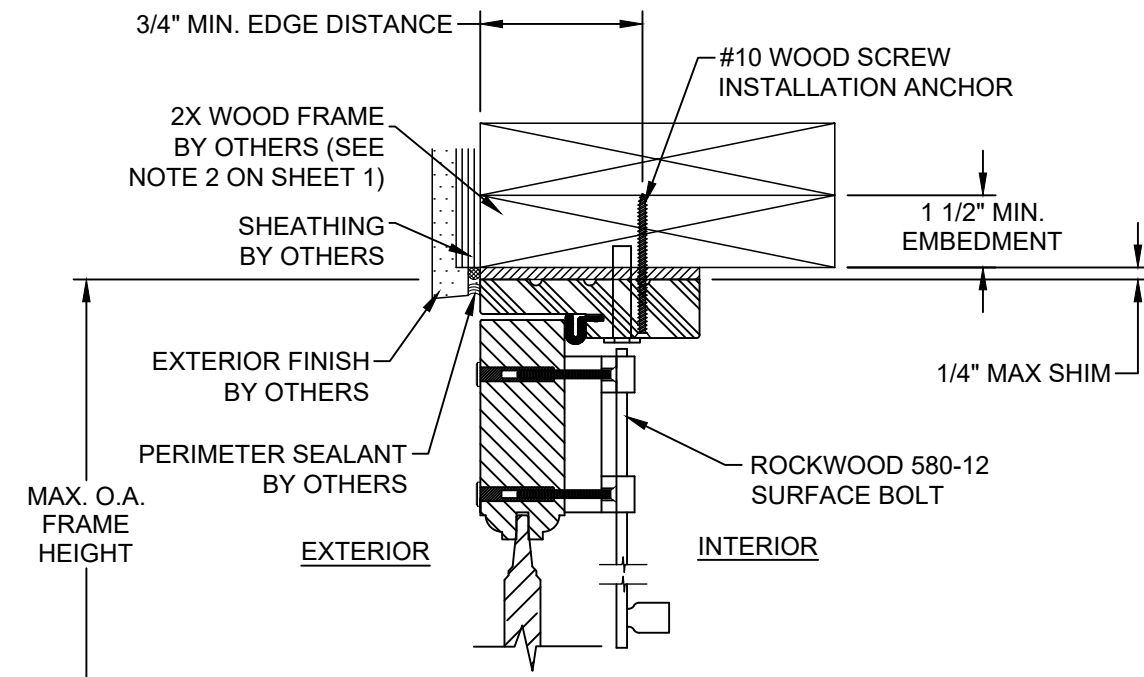
PREPARED BY: **FB**

PTC Product Design Group, LLC
PO Box 320775
Lenoir, NC 27570-0775
Phone: 321.690.1788
Fax: 321.690.1789
Email: info@pdc-corp.com
FBPE GA. NO. 25595

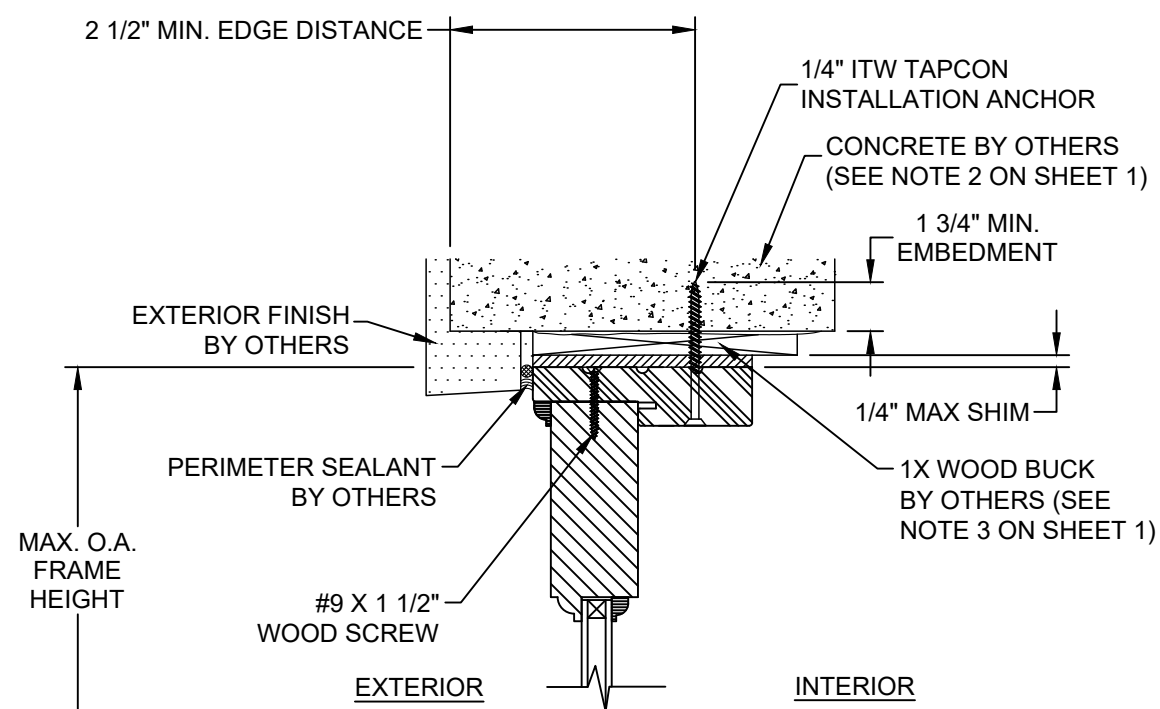
Robert J. Amoruso, P.E.
Florida P.E. No. 49752



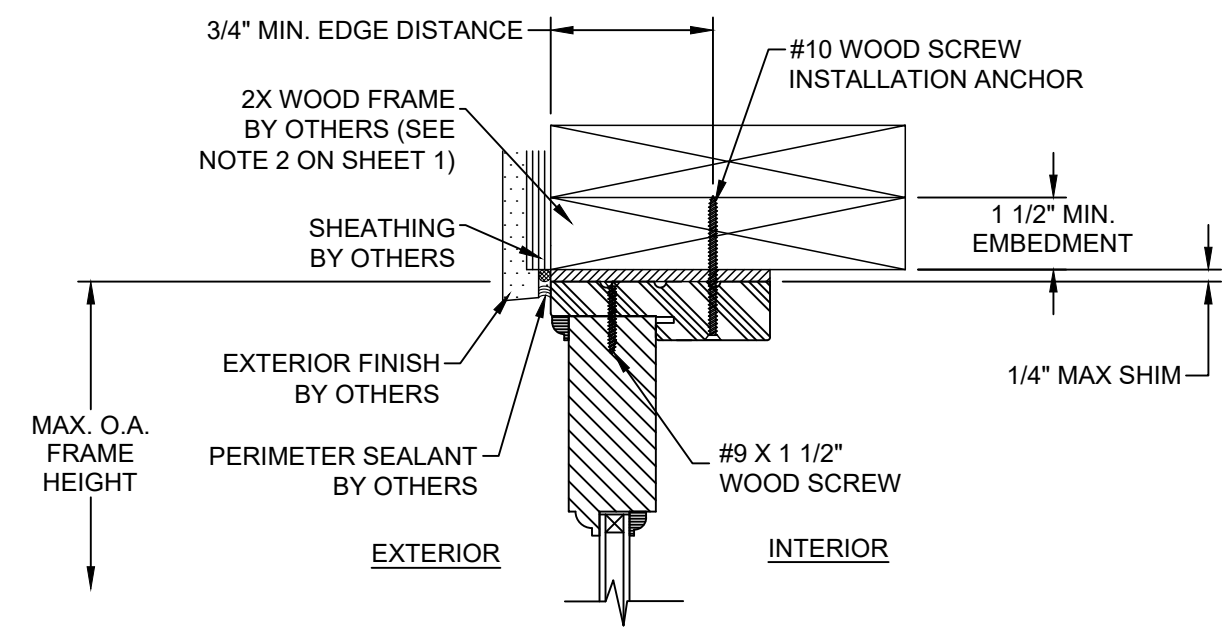
F VERTICAL SECTION
CONCRETE SUBSTRATE
DOOR PANEL AT HEAD



H VERTICAL SECTION
WOOD SUBSTRATE
DOOR PANEL AT HEAD



E VERTICAL SECTION
CONCRETE SUBSTRATE
SIDELITE PANEL AT HEAD



G VERTICAL SECTION
WOOD SUBSTRATE
SIDELITE PANEL AT HEAD

PROJECT NO. 421-0102

REV	DESCRIPTION	DATE	BY

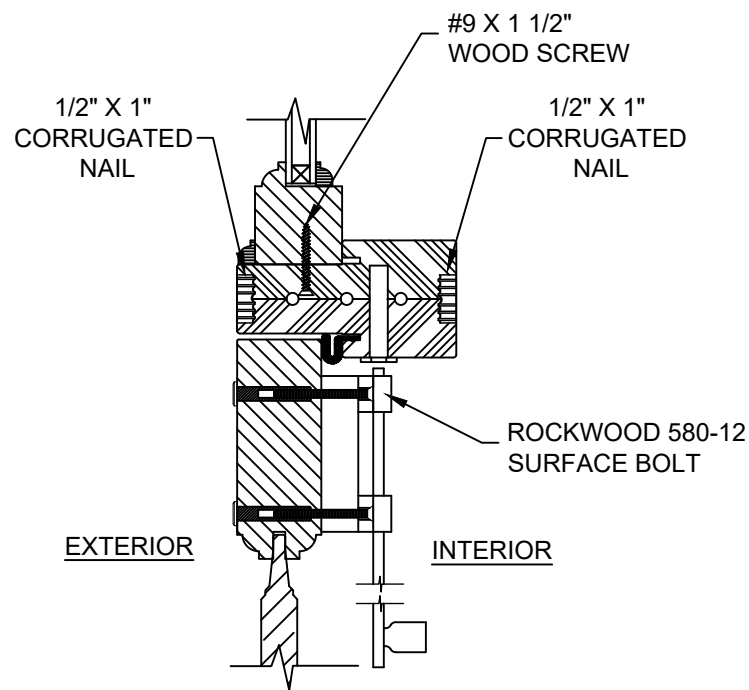
SIMPSON DOOR COMPANY
400 SIMPSON AVE.
MCCLEARY, WA 98557

TITLE: O/S OPAQUE WOOD DOOR W/ & W/O SIDELITES & TRANSOM
VERTICAL SECTIONS

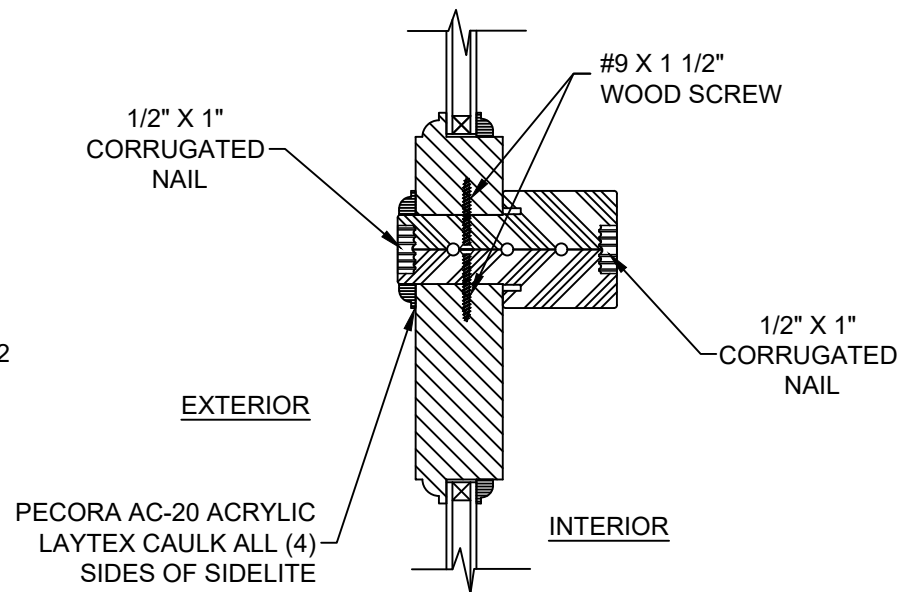
PREPARED BY: RJA
DRAWN BY: RJA
SCALE: N.T.S.
DATE: 6/18/21
DRAWING NO.: SIMP0022
SHEET: 9 OF 11

PTC Product Design Group, LLC
PO Box 320775
Lynchburg, VA 24072-0775
Phone: 321.690.1788
Fax: 321.690.1789
Email: info@pdc-corp.com
FBPE GA. NO. 25595

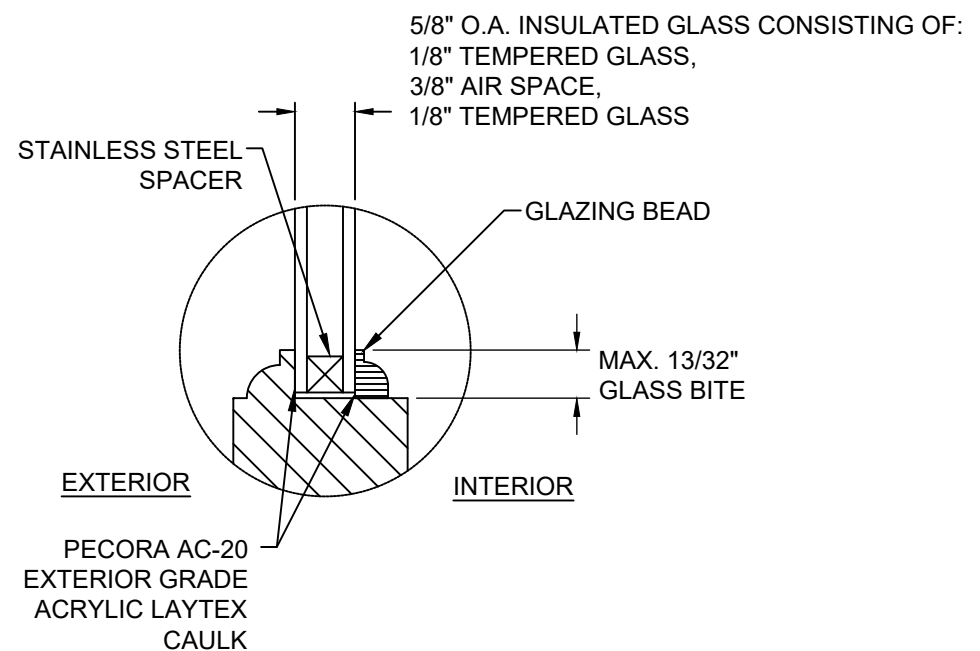
Robert J. Amoruso, P.E.
Florida P.E. No. 49752



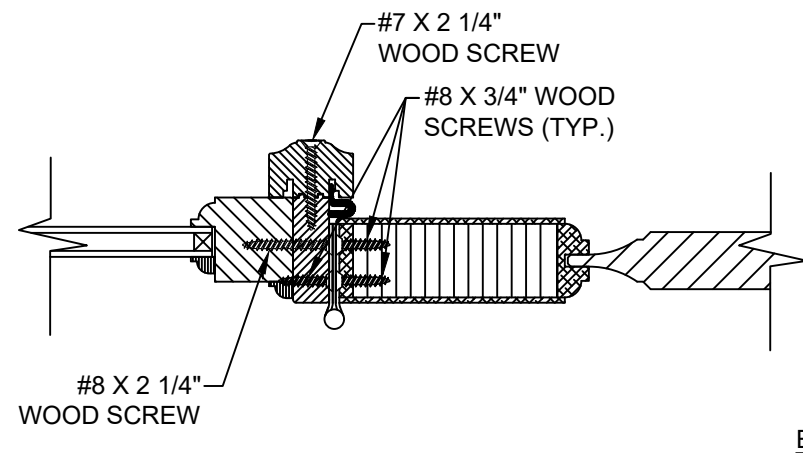
I VERTICAL SECTION
DOUBLE JAMB HORIZONTAL MULL
AT DOOR PANEL



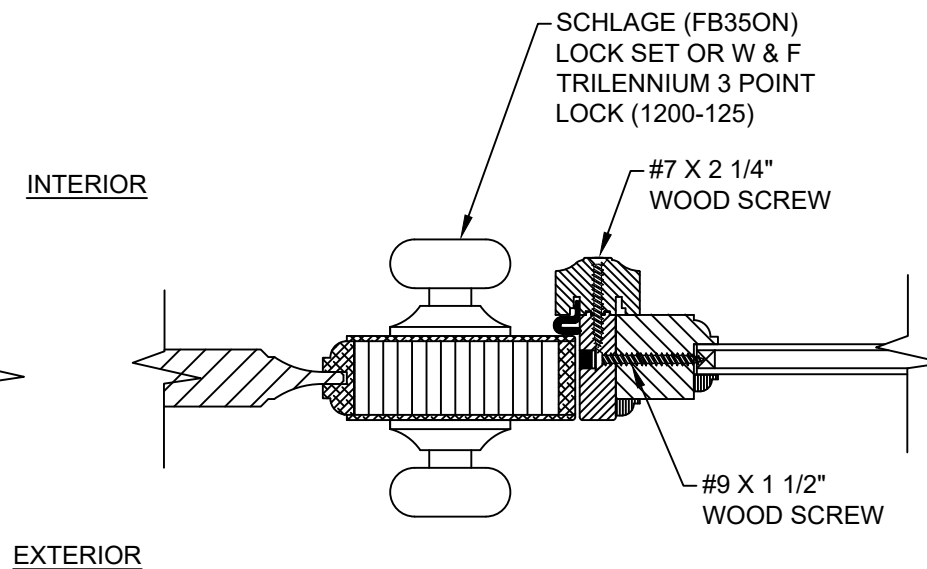
J VERTICAL SECTION
DOUBLE JAMB HORIZONTAL MULL
AT SIDELITE PANEL



GLAZING DETAIL



K HORIZONTAL SECTION
HINGE STILE AT VERTICAL MULL



L HORIZONTAL SECTION
LOCK STILE AT VERTICAL MULL

PROJECT NO. 421-0102

REV	DESCRIPTION	DATE	BY

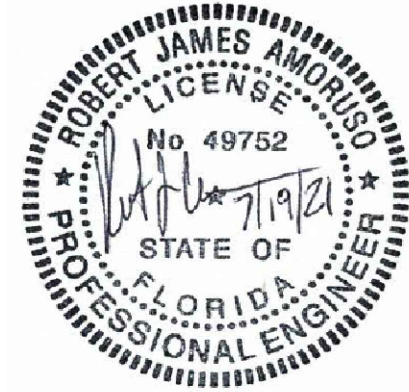
SIMPSON DOOR COMPANY
400 SIMPSON AVE.
MCCLEARY, WA 98557

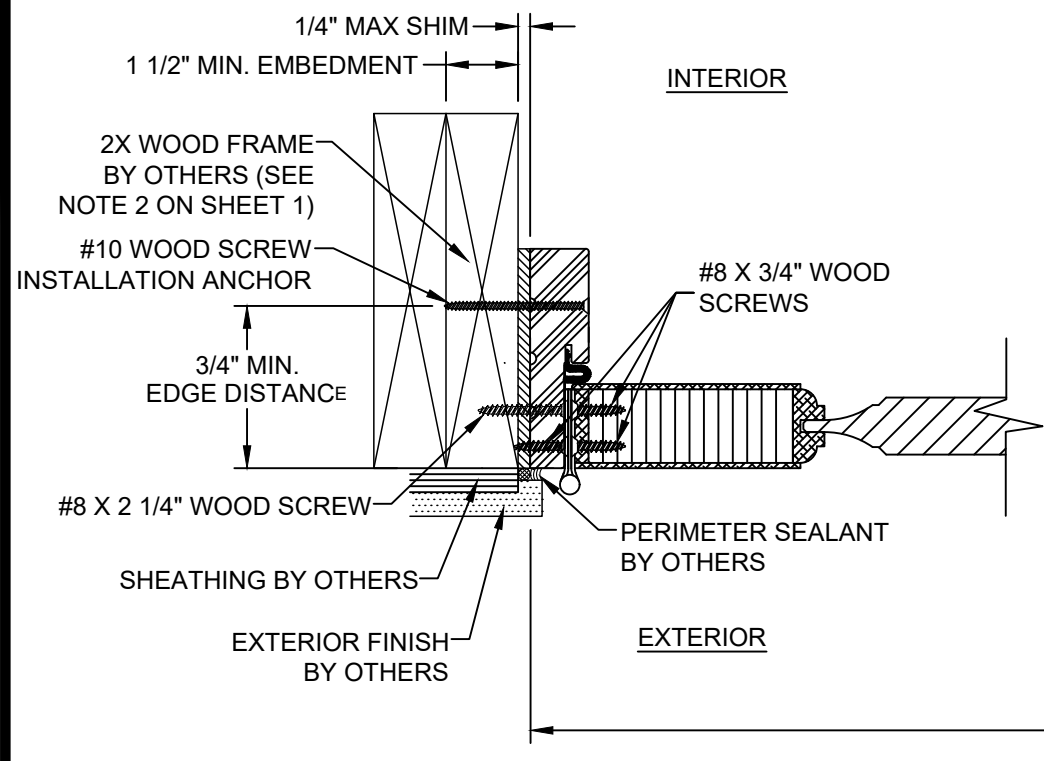
TITLE: OPAQUE WOOD DOOR W/ & W/O SIDELITES & TRANOM
VERTICAL & HORIZONTAL SECTIONS, GLAZING DETAIL

PREPARED BY: RJA
SCALE: N.T.S.
DATE: 6/18/21
DRAWING NO: SIMP0022
SHEET: 10 OF 11

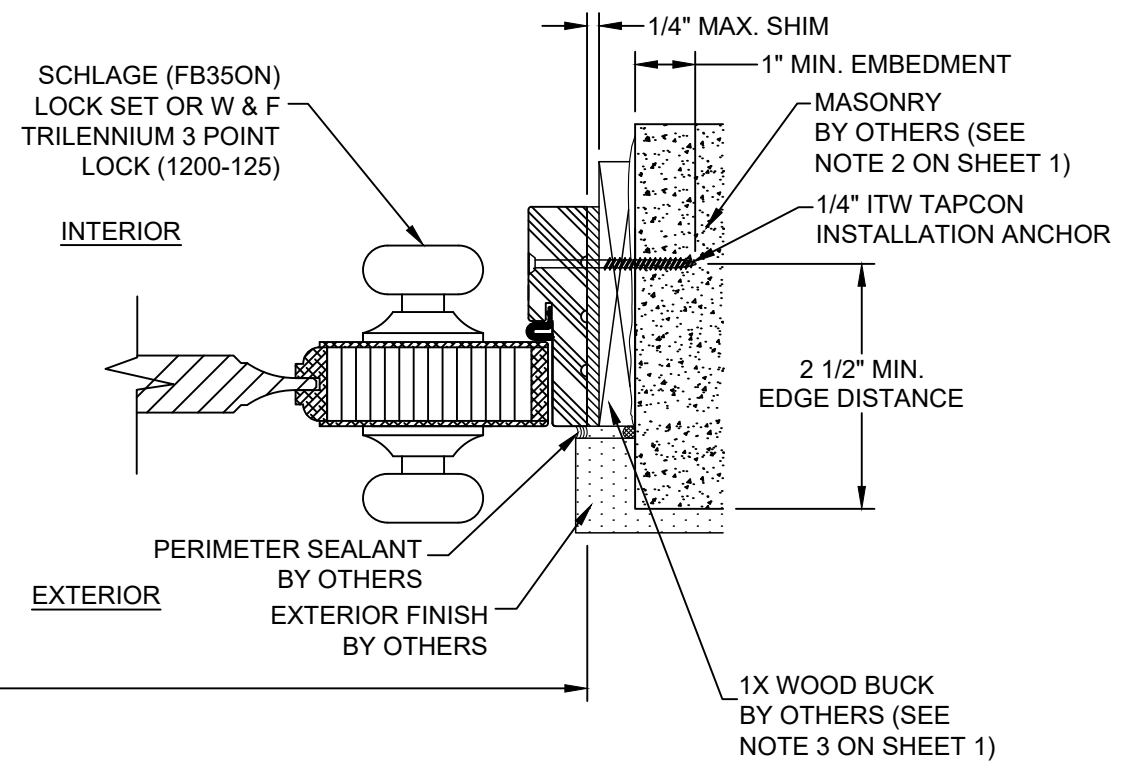
PTC Product Design Group, LLC
PO Box 320775
Lombard, IL 60137-0775
Phone: 321.690.1788
Fax: 321.690.1789
Email: info@pdc-corp.com
FBPE C.A. NO. 25595

Robert J. Amoruso, P.E.
Florida P.E. No. 49752

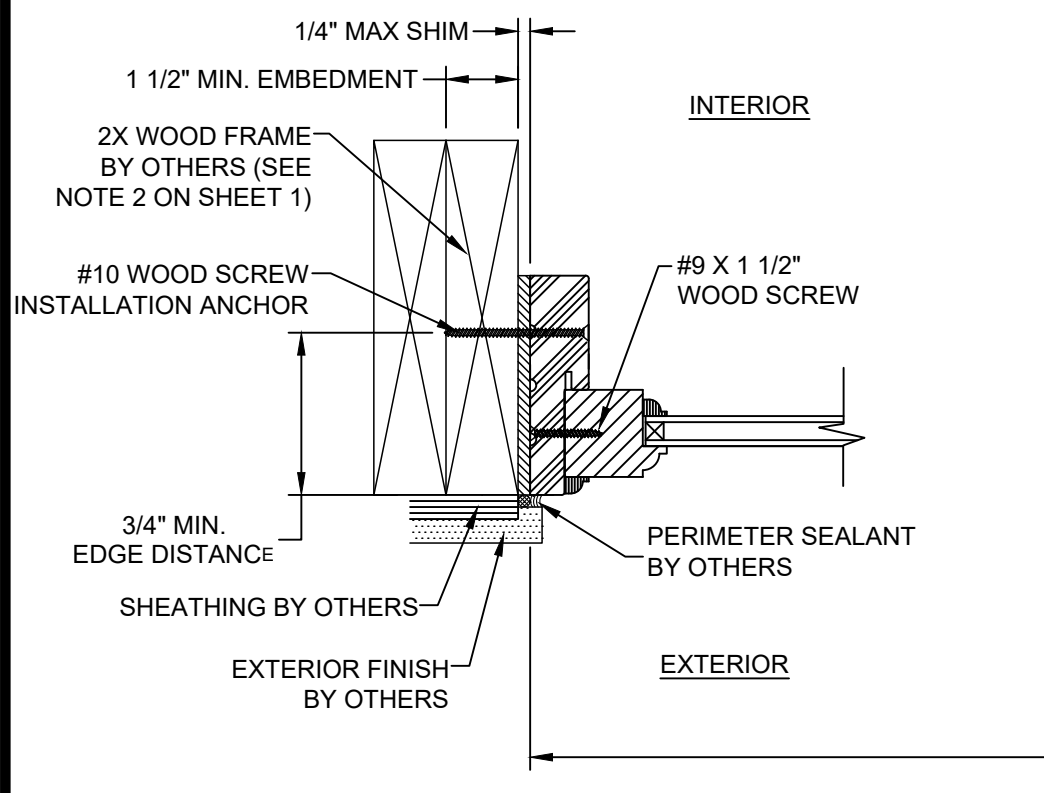




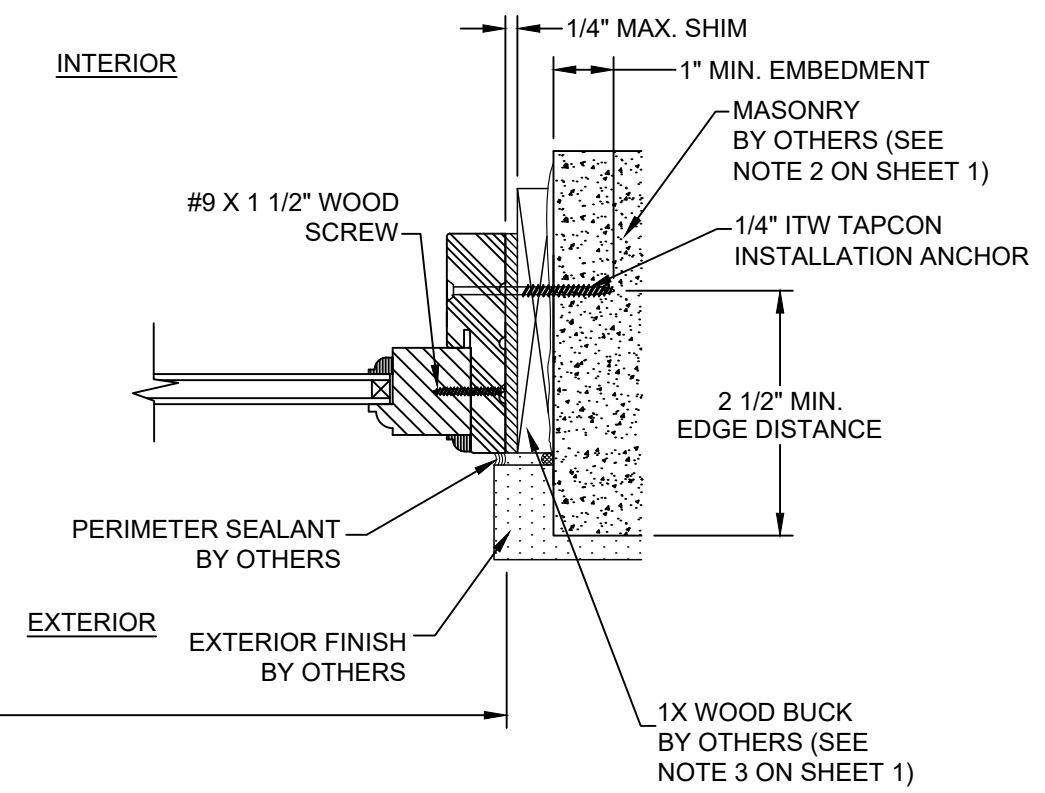
O HORIZONTAL SECTION
WOOD SUBSTRATE
DOOR PANEL AT HINGE STILE JAMB



P HORIZONTAL SECTION
MASONRY SUBSTRATE
DOOR PANEL AT LOCK STILE JAMB



M HORIZONTAL SECTION
WOOD SUBSTRATE
SIDELITE AND TRANSOM JAMBS



N HORIZONTAL SECTION
MASONRY SUBSTRATE
SIDELITE AND TRANSOM JAMBS

PROJECT NO. 421-0102

REV	DESCRIPTION	DATE	BY

SIMPSON DOOR COMPANY
400 SIMPSON AVE.
MCCLEARY, WA 98557

TITLE: O/S OPAQUE WOOD DOOR W/ & W/O SIDELITES & TRANSOM HORIZONTAL SECTIONS

PREPARED BY: RJA
SCALE: N.T.S.
REV: ---

DATE: 6/18/21
DRAWING NO: SIMP0022
SHEET: 11 OF 11

Phone: 321.690.1788
Fax: 321.690.1789
Email: info@pdc-corp.com

