

SIMPSON DOOR CO.

Hemlock/Fir Glazed Double Inswing Door w/Sidelites (True Divided Lites)

INSTALLATION ANCHORAGE DETAILS

GENERAL NOTES:

- THIS PRODUCT IS DESIGNED TO COMPLY WITH THE CURRENT EDITION OF THE FLORIDA BUILDING CODE - BUILDING (FBC) AND RESIDENTIAL (FRC) REQUIREMENTS EXCLUDING THE HIGH VELOCITY HURRICANE ZONE (HVHZ) AT THE DESIGN PRESSURE(S) STATED HEREIN. THE PRODUCT DETAILS CONTAINED HEREIN ARE BASED UPON SIGNED AND SEALED TEST REPORT # NCTL-210-4190-6 AND ASSOCIATED LABORATORY STAMPED DRAWINGS.
- ADEQUACY OF THE EXISTING STRUCTURAL CONCRETE / MASONRY AND 2X FRAMING AS A MAIN WIND FORCE RESISTING SYSTEM CAPABLE OF WITHSTANDING AND TRANSFERRING APPLIED PRODUCT LOADS TO THE STRUCTURE IS THE RESPONSIBILITY OF THE ENGINEER OR ARCHITECT OF RECORD.
- 1X AND 2X BUCKS (WHEN USED) SHALL BE DESIGNED AND ANCHORED TO PROPERLY TRANSFER ALL LOADS TO THE STRUCTURE. BUCK DESIGN AND INSTALLATION IS THE RESPONSIBILITY OF THE ENGINEER OR ARCHITECT OF RECORD.
- IN AREAS WHERE WIND-BORNE DEBRIS PROTECTION REQUIREMENTS EXIST, USE OF AN APPROVED IMPACT PROTECTIVE SYSTEM IS REQUIRED.
- DOOR FRAME OR COMPONENTS STRUCTURAL CORE MATERIAL: LAMINATED VENEER LUMBER (LVL) AND/OR FIR OR PINE FINGERJOINTED AND EDGE GLUED CORE MATERIAL. USE OF ALTERNATE WOOD VENEERS ON THE SAME STRUCTURAL CORE MATERIAL IS ACCEPTABLE FOR THIS PRODUCT. LVL MAY BE EITHER VERTICAL OR HORIZONTAL ORIENTATION.
- GLASS MEETS THE REQUIREMENTS OF ASTM E1300-12AE1.

- DESIGNATIONS "X" AND "O" STAND FOR THE FOLLOWING:
X: OPERABLE PANEL
O: FIXED PANEL
- PERIMETER AND JOINT SEALANT BY OTHERS TO BE DETAILED IN ACCORDANCE WITH THE FBC, RESIDENTIAL AND BUILDING VOLUMES AND WITH FMA/AAMA/WDMA PROTOCOLS. PERIMETER AND JOINT SEALANT IS SHOWN FOR ILLUSTRATIVE PURPOSES ONLY AND IS NOT PART OF THIS PRODUCT APPROVAL DOCUMENT.

INSTALLATION NOTES:

- ONE (1) INSTALLATION ANCHOR IS REQUIRED AT EACH ANCHOR LOCATION SHOWN.
- THE NUMBER OF INSTALLATION ANCHORS DEPICTED ARE THE MINIMUM NUMBER OF ANCHORS TO BE USED FOR PRODUCT INSTALLATION. ANCHORS ARE TO MATCH TYPE, SIZE, AND EMBEDMENT OF THOSE SHOWN HEREIN FOR RESPECTIVE SUBSTRATE.
- SHIM AS REQUIRED AT EACH INSTALLATION ANCHOR WITH LOAD BEARING SHIM(S). MAXIMUM ALLOWABLE SHIM SIZE IS 1/4 INCH. SHIM WHERE SPACE OF 1/16 INCH OR GREATER OCCURS. SHIM(S) SHALL BE CONSTRUCTED OF HIGH DENSITY PLASTIC OR BETTER.
- FOR INSTALLATION INTO WOOD FRAMING, USE #10 WOOD SCREWS OF SUFFICIENT LENGTH TO ACHIEVE 1 1/2 INCH MINIMUM EMBEDMENT. MINIMUM EDGE DISTANCE IS 3/4 INCHES.
- FOR INSTALLATION THROUGH 1X BUCK TO CONCRETE / MASONRY, OR DIRECTLY INTO CONCRETE / MASONRY, USE 1/4 INCH ITW TAPCONS (ADVANCED THREADFORM) OF SUFFICIENT LENGTH TO ACHIEVE 1 3/4 INCH MINIMUM EMBEDMENT INTO CONCRETE AND 1 INCH MINIMUM EMBEDMENT INTO MASONRY. MINIMUM EDGE DISTANCE IS 2-1/2 INCHES FOR CONCRETE AND MASONRY.
- MINIMUM EMBEDMENT AND EDGE DISTANCE EXCLUDE WALL FINISHES (INCLUDING BUT NOT LIMITED TO STUCCO, FOAM, BRICK VENEER AND SIDING).
- FOR CONCRETE BLOCK, DO NOT INSTALL INSTALLATION ANCHORS INTO MORTAR JOINTS. EDGE DISTANCE IS MEASURED FROM FREE EDGE OF BLOCK OR EDGE OF MORTAR JOINT INTO FACE SHELL OF BLOCK.
- INSTALLATION ANCHOR CAPACITIES FOR PRODUCTS HEREIN ARE BASED ON SUBSTRATE MATERIALS WITH THE FOLLOWING PROPERTIES:
 - WOOD - MINIMUM SPECIFIC GRAVITY OF 0.42 (NON-HVHZ).
 - CONCRETE - MINIMUM COMPRESSIVE STRENGTH OF 2500 PSI.
 - MASONRY - STRENGTH CONFORMANCE TO ASTM C-90 MEDIUM WEIGHT WITH COMPRESSIVE STRENGTH OF 1900 psi (DENSITY > 117 PCF).

TABLE OF CONTENTS		
SHEET	REV.	SHEET DESCRIPTION
1	---	GENERAL AND INSTALLATION NOTES
2	---	ELEVATION
3	---	ANCHOR LAYOUT
4	---	VERTICAL SECTIONS
5	---	VERTICAL SECTIONS & GLAZING DETAIL
6	---	HORIZONTAL SECTIONS

DESIGN PRESSURE RATING (PSF)		IMPACT RATING
WHERE WATER INFILTRATION REQUIREMENT IS NEEDED	WHERE WATER INFILTRATION REQUIREMENT IS NOT NEEDED (SEE NOTE 1 BELOW)	NONE
+19.1/-47.5	±47.5	

Note 1: OVERHANG IN ACCORDANCE WITH REQUIREMENT BELOW CAN BE USED PER CHAPTER 17 OF FBC.

- Door assemblies installed where the overhang (OH) ratio is equal to or more than 1 do not have to meet the water infiltration requirements. The overhang ratio shall be calculated by the following equation.
 - OH ratio = OH Length/OH Height, Where:
 - OH length = The horizontal measure of how far an overhang over a door projects out from door surface.
 - OH height = The vertical measure of the distance from the door sill to the bottom of the overhang over a door.

PROJECT NO. 421-0102

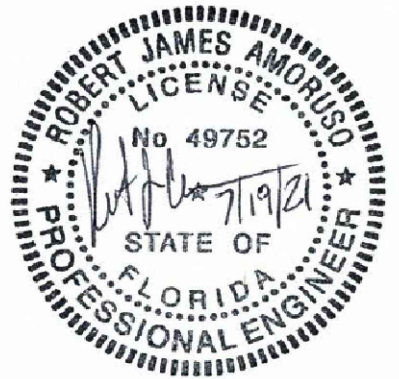
SIMPSON DOOR COMPANY
400 SIMPSON AVE.
MCCLEARY, WA 98557

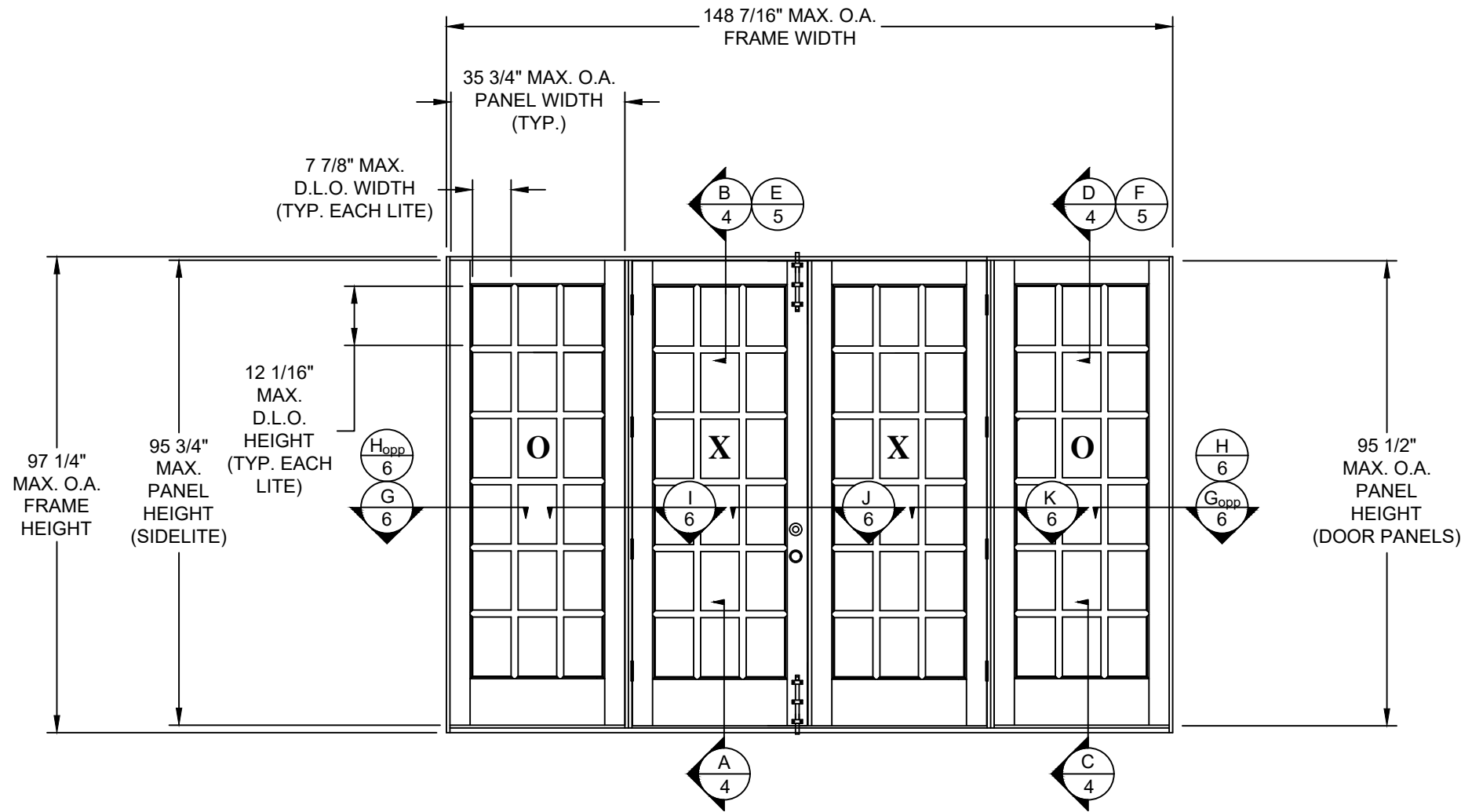
TITLE: Hemlock/Fir Glazed Double Inswing Door w/Sidelites (TDL)
GENERAL AND INSTALLATION NOTES

PREPARED BY: **RF**
DRAWN BY: RJA
SCALE: N.T.S.
DATE: 6/18/21
DRAWING NO.: SIMP0023
SHEET: 1 OF 6
REV: ---

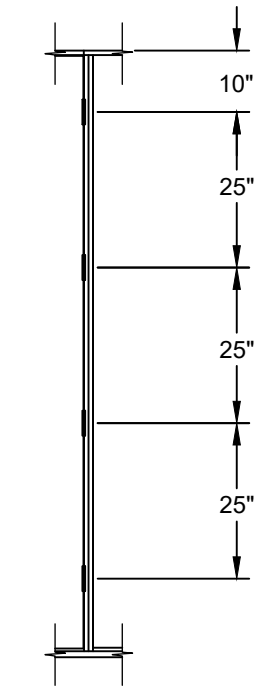
PTC Product Design Group, LLC
PO Box 520775
Longwood, FL 32752-0775
Phone: 321.690.1788
Fax: 321.690.1789
Email: info@ptc-corp.com
FBPE C.A. NO. 25935

Robert J. Amoruso, P.E.
Florida P.E. No. 49752





ELEVATION
INTERIOR VIEW



HINGE DETAIL
INTERIOR VIEW

PROJECT NO. 421-0102

REV	DESCRIPTION	DATE	BY

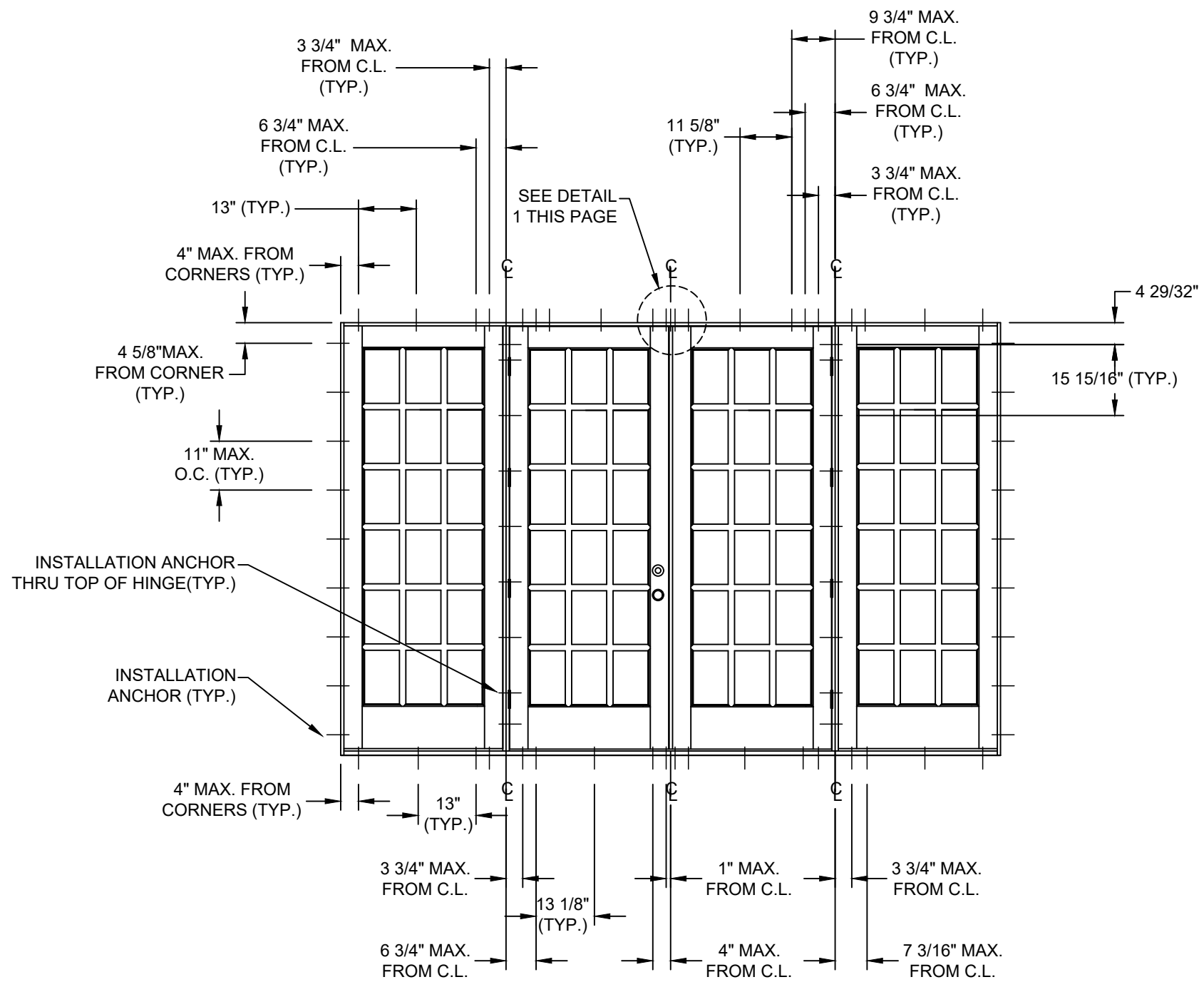
SIMPSON DOOR COMPANY
400 SIMPSON AVE.
MCCLEARY, WA 98557

TITLE: Hemlock/Fir Glazed Double Inswing Door w/Sidelites (TDL)
ELEVATION

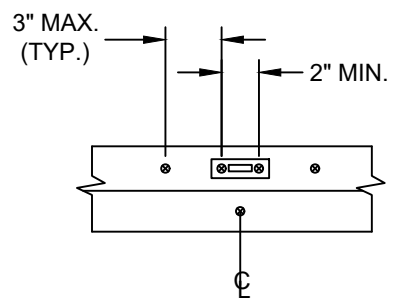
PREPARED BY: **FFC**
DRAWN BY: RJA
DATE: 6/18/21
SCALE: N.T.S.
DRAWING NO: SIMP0023
SHEET: 2 OF 6

PTC Product Design Group, LLC
PO Box 520775
Longwood, FL 32752-0775
Phone: 321.690.1788
Fax: 321.690.1789
Email: info@ptc-corp.com
FBPE C.A. NO. 25935

Robert J. Amoruso, P.E.
Florida P.E. No. 49752



ANCHOR LAYOUT
INTERIOR VIEW



DETAIL 1
ANCHORAGE AT
SURFACE BOLT

PROJECT NO. 421-0102

REV	DESCRIPTION	DATE	BY

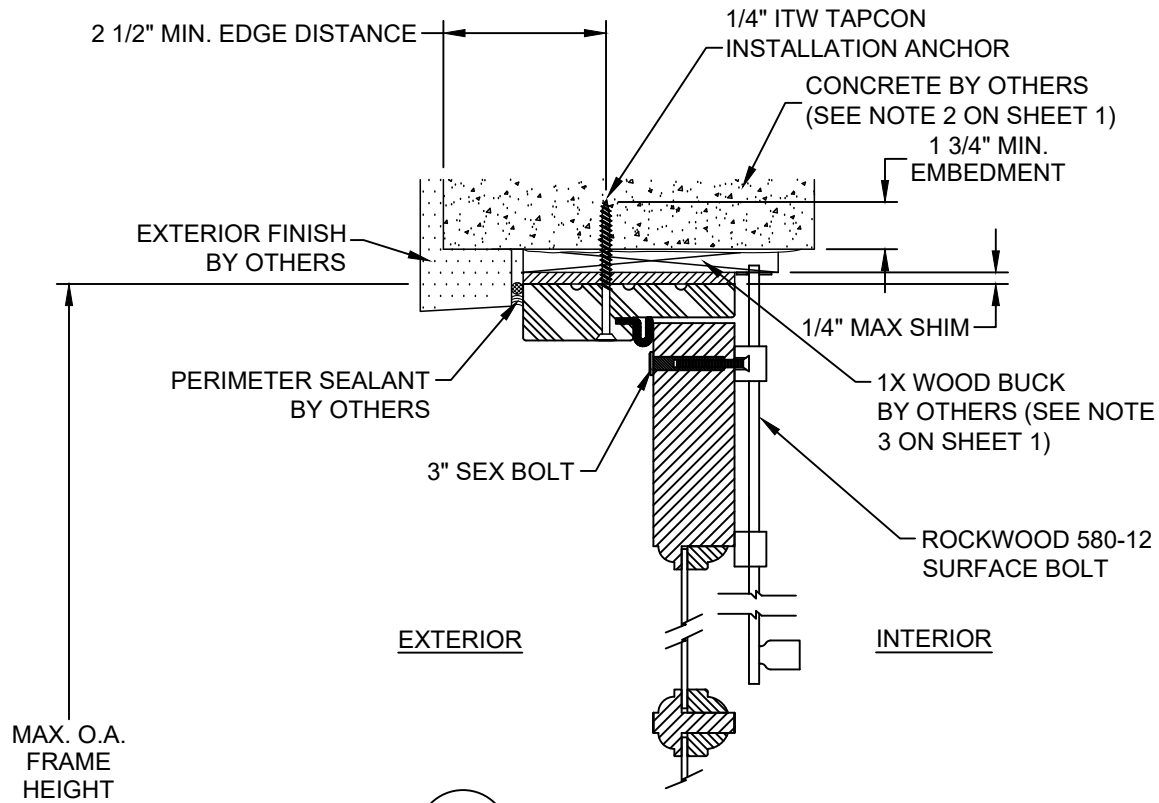
SIMPSON DOOR COMPANY
400 SIMPSON AVE.
MCCLEARY, WA 98557

TITLE: Hemlock/Fir Glazed Double Inswing Door w/Sidelites (TDL)
ANCHOR LAYOUT

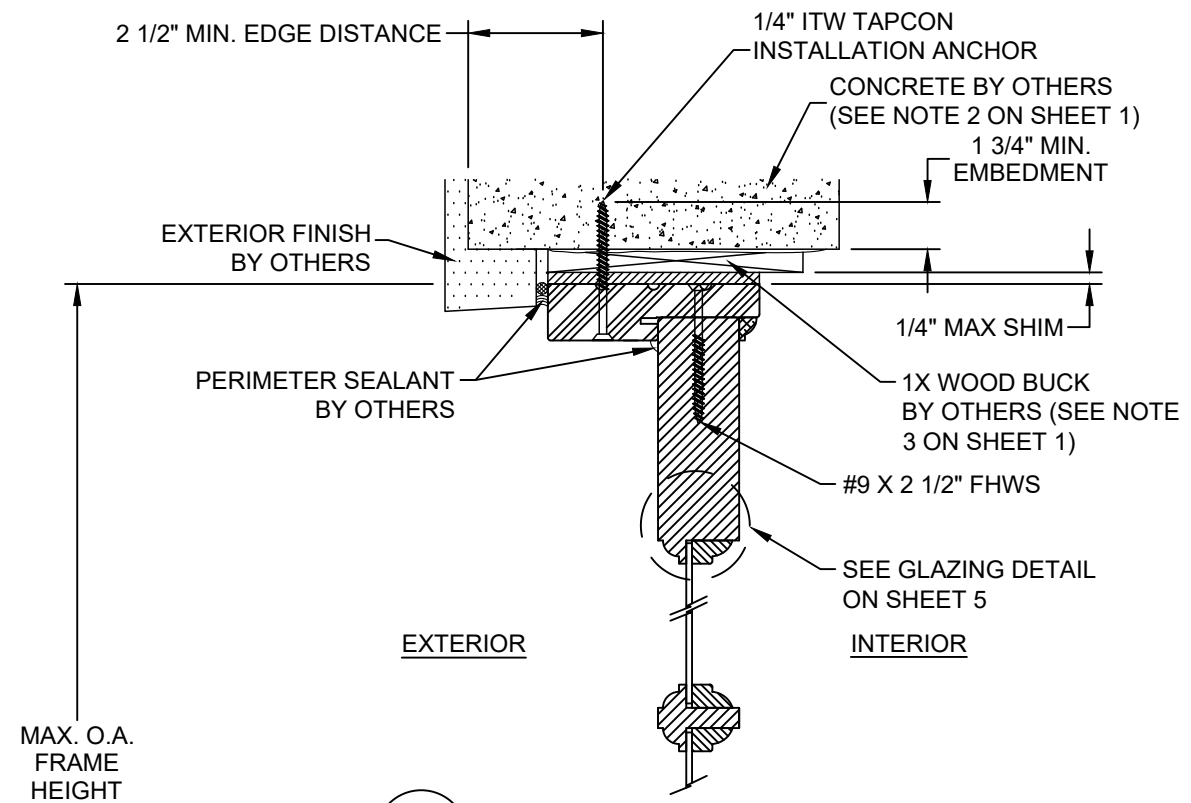
PREPARED BY: **FFC**
DRAWN BY: RJA
SCALE: N.T.S.
DATE: 6/18/21
DRAWING NO: SIMP0023
SHEET: 3 OF 6

PTC Product Design Group, LLC
PO Box 520775
Longwood, FL 32752-0775
Phone: 321.690.1788
Fax: 321.690.1789
Email: info@pdc-corp.com
FBPE C.A. NO. 25935

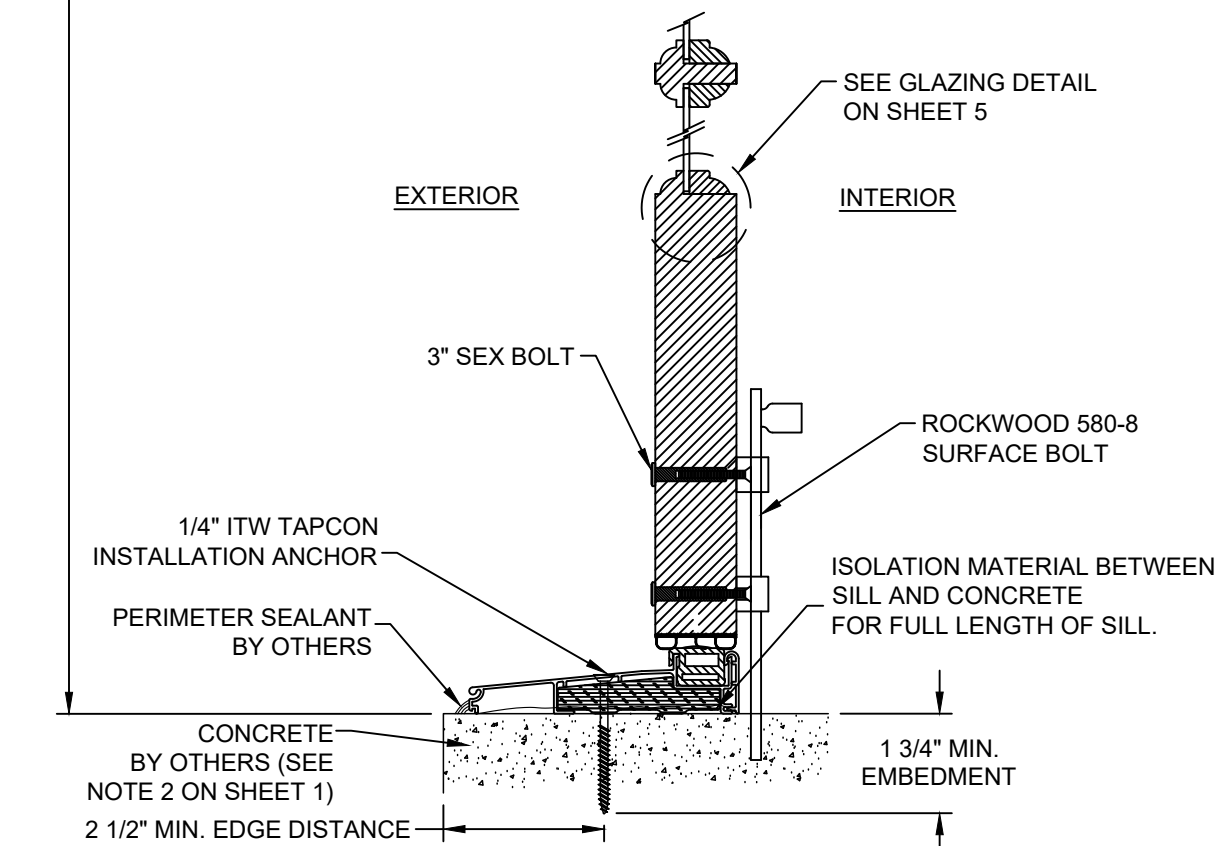
Robert J. Amoruso, P.E.
Florida P.E. No. 49752



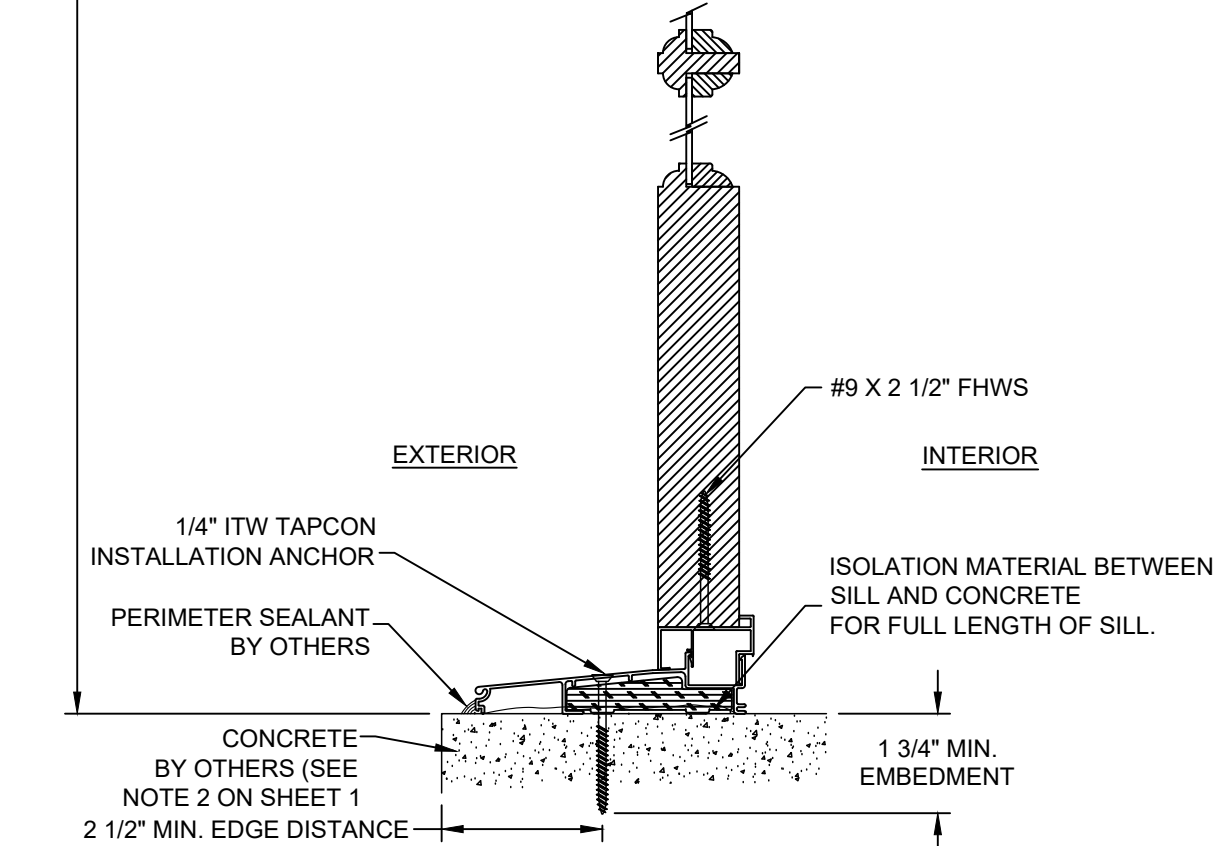
B VERTICAL SECTION
CONCRETE SUBSTRATE
DOOR PANEL AT HEAD



D VERTICAL SECTION
CONCRETE SUBSTRATE
SIDELITE PANEL AT HEAD



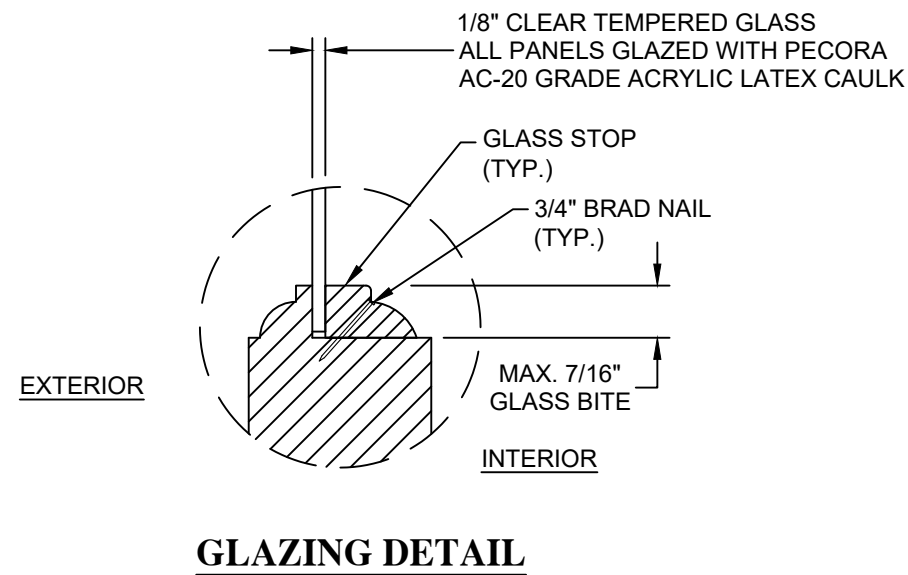
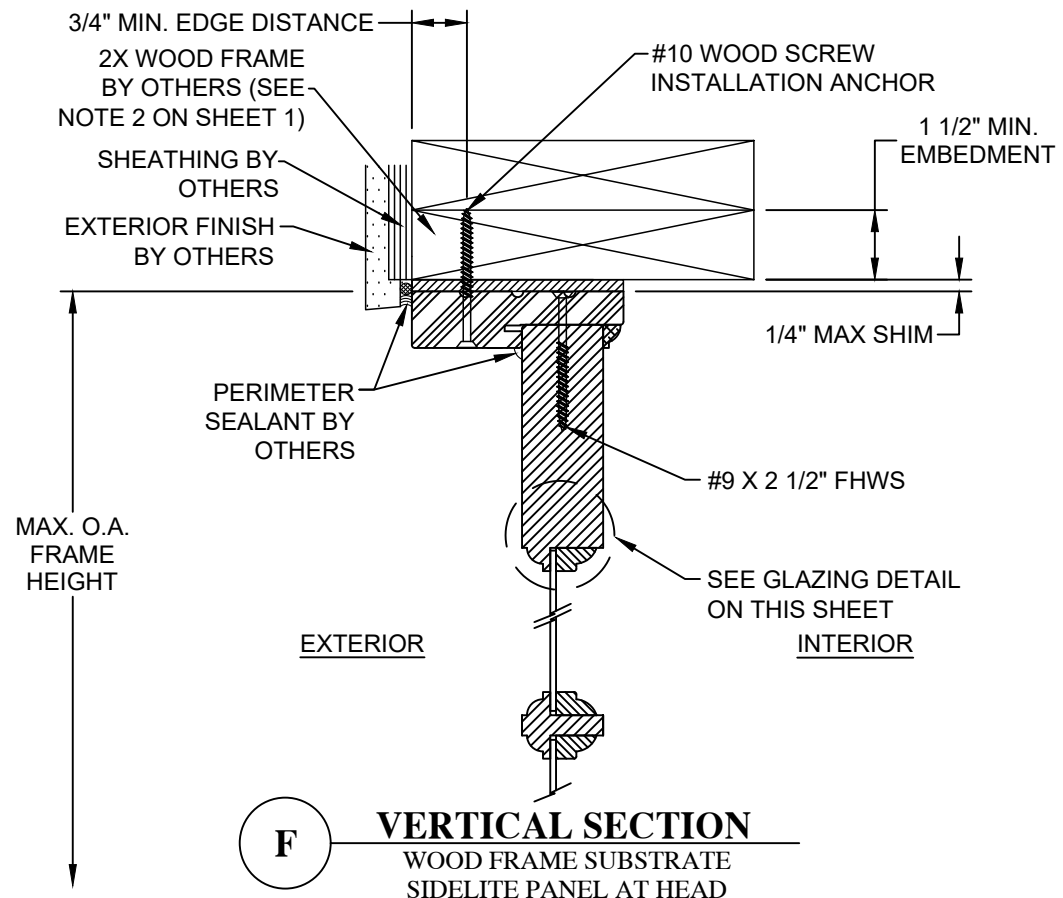
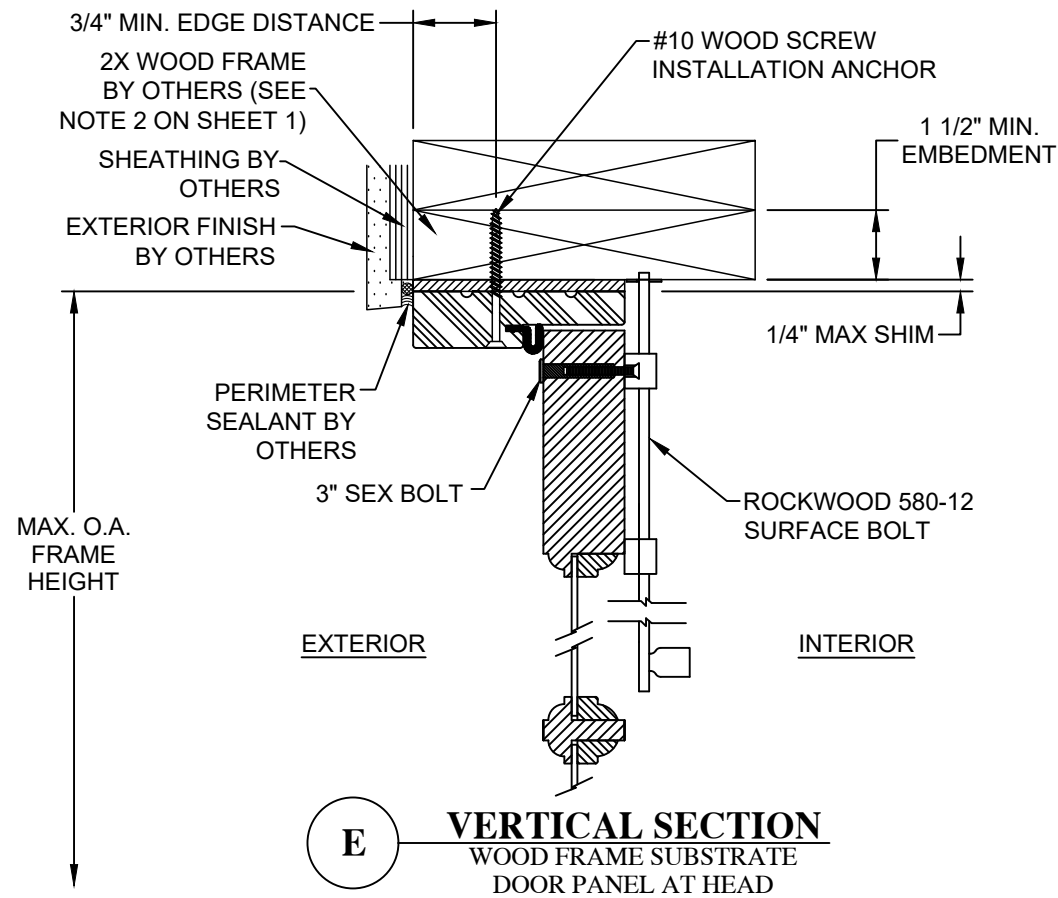
A VERTICAL SECTION
CONCRETE SUBSTRATE
DOOR PANEL AT SILL



C VERTICAL SECTION
CONCRETE SUBSTRATE
SIDELITE PANEL AT SILL

PROJECT NO. 421-0102		DATE	BY
SIMPSON DOOR COMPANY 400 SIMPSON AVE. MCCLEARY, WA 98557		DATE: 6/18/21	BY
TITLE: Hemlock/Fir Glazed Double Inswing Door w/Sidelites (TDL) VERTICAL SECTIONS		DRAWING NO: SIMP0023	DESCRIPTION
DRAWN BY: RJA		SCALE: N.T.S.	REV
PREPARED BY: FFE		SHEET: 4 OF 6	DATE
PTC Product Design Group, LLC PO Box 520775 Longwood, FL 32752-0775 Phone: 321.690.1788 Fax: 321.690.1789 Email: info@pdc-corp.com			

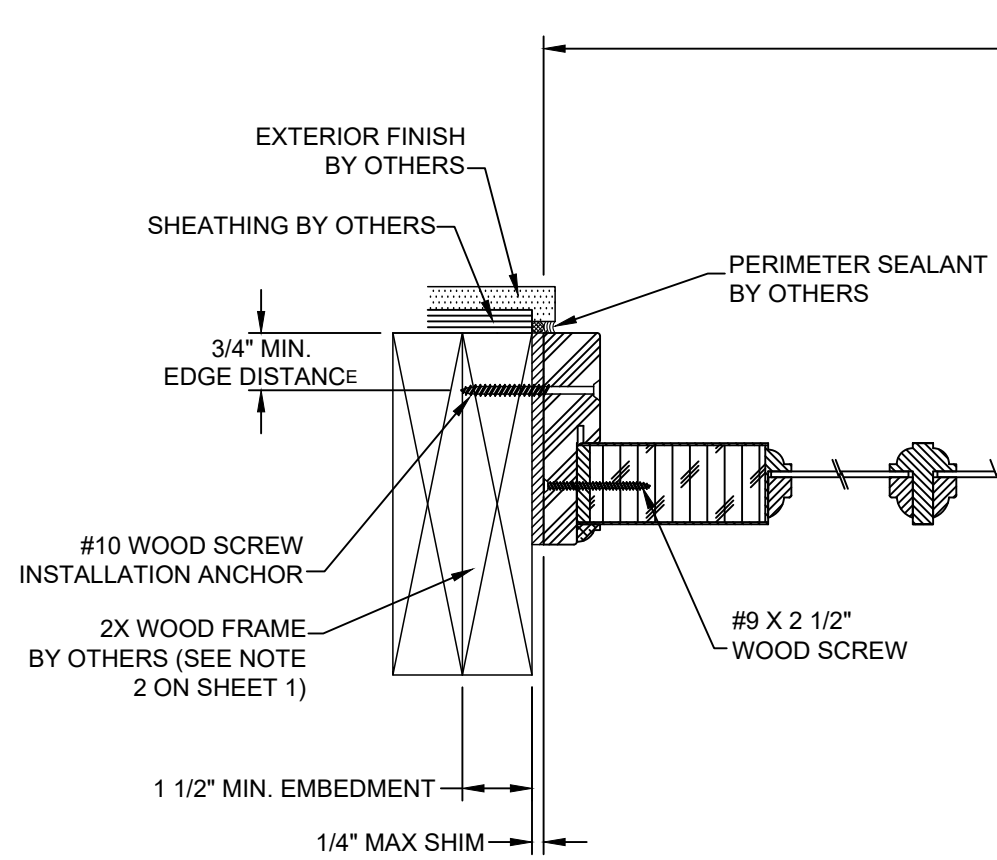
Robert J. Amoruso, P.E.
Florida P.E. No. 49752



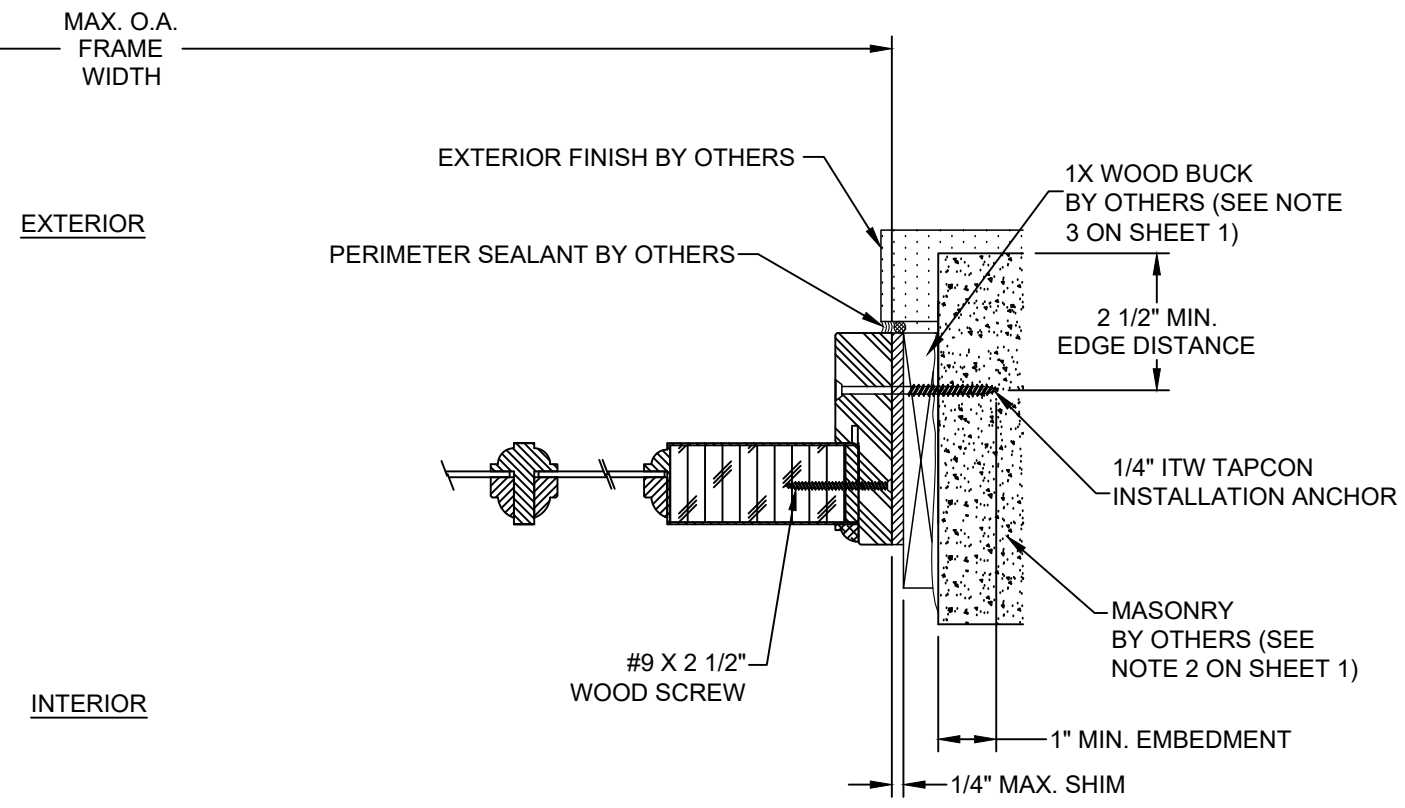
PROJECT NO. 421-0102		BY
		DATE
		DESCRIPTION
		REV
		5 OF 6

SIMPSON DOOR COMPANY 400 SIMPSON AVE. MCCLEARY, WA 98557		DRAWN BY: RJA	DATE: 6/18/21
TITLE: Hemlock/Fir Glazed Double Inswing Door w/Sidelites (TDL) VERTICAL SECTIONS & GLAZING DETAIL		SCALE: N.T.S.	DRAWING NO.: SIMP0023
PREPARED BY:		REV: ---	SHEET: 5 OF 6
PTC Product Design Group, LLC PO Box 520775 Longwood, FL 32752-0775 Phone: 321.690.1788 Fax: 321.690.1789 Email: info@ptc-corp.com		FBPE C.A. NO. 25935	

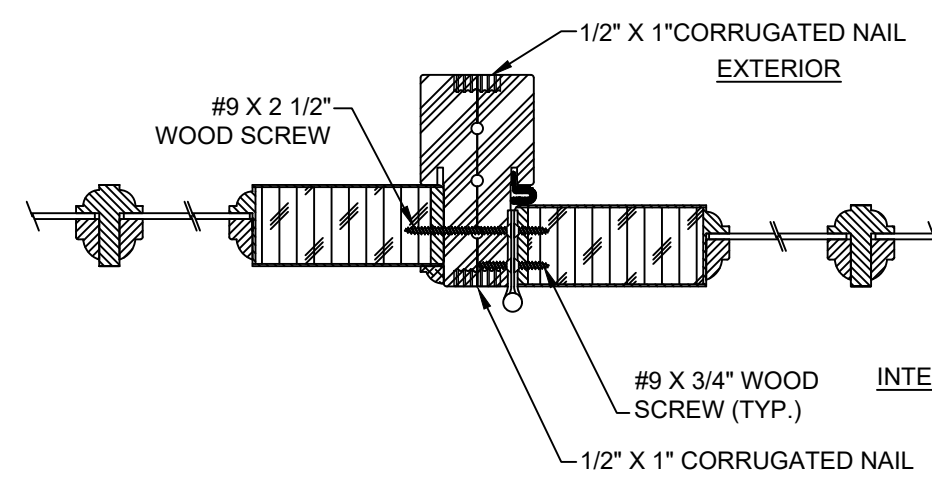
Robert J. Amoruso, P.E.
Florida P.E. No. 49752



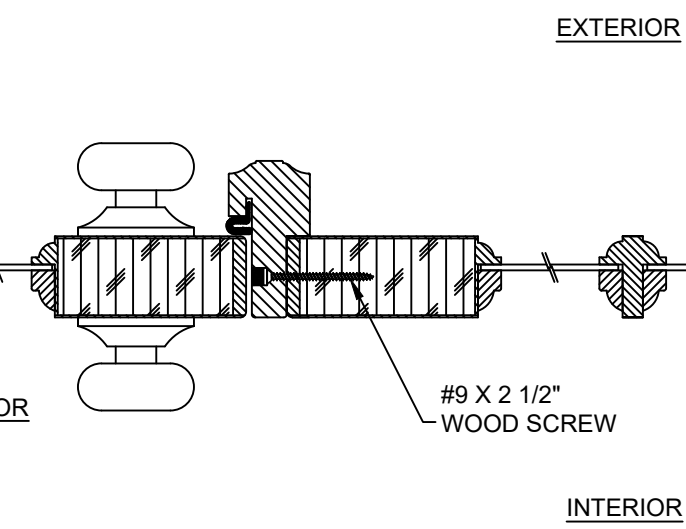
G HORIZONTAL SECTION
WOOD SUBSTRATE
SIDELITE PANEL AT JAMB



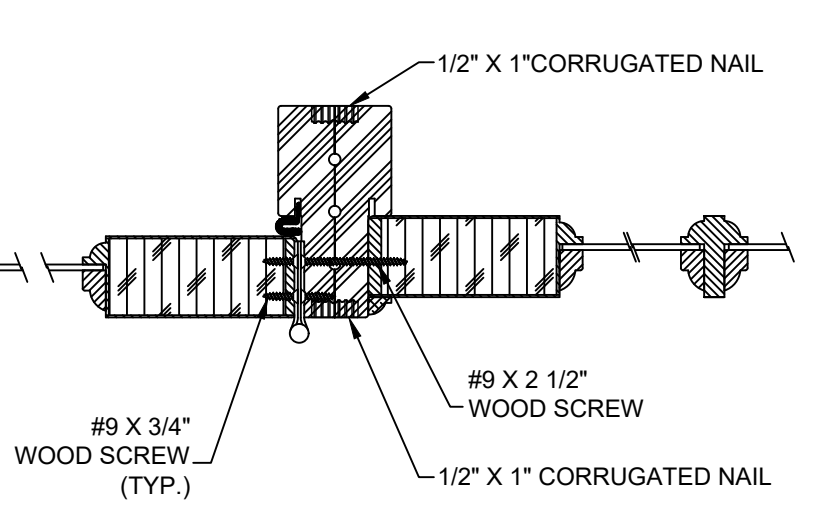
H HORIZONTAL SECTION
MASONRY SUBSTRATE
SIDELITE PANEL AT JAMB



I HORIZONTAL SECTION
DOUBLE FRAME MULLION



J HORIZONTAL SECTION
ASTRAGAL



K HORIZONTAL SECTION
DOUBLE FRAME MULLION

PROJECT NO. 421-0102

REV	DESCRIPTION	DATE	BY

SIMPSON DOOR COMPANY
400 SIMPSON AVE.
MCCLEARY, WA 98557

TITLE: Hemlock/Fir Glazed Double Inswing Door w/Sidelites (TDL)
HORIZONTAL SECTIONS

DATE: 6/18/21
DRAWING NO.: SIMP0023
SCALE: N.T.S.
SHEET: 6 OF 6

PREPARED BY: RJA
DRAWN BY: RJA
N.T.S.
REV: ---

PTC Product Design Group, LLC
PO Box 520775
Longwood, FL 32752-0775
Phone: 321.690.1788
Fax: 321.690.1789
Email: info@pdc-corp.com
FBPE C.A. NO. 25935

Robert J. Amoruso, P.E.
Florida P.E. No. 49752