

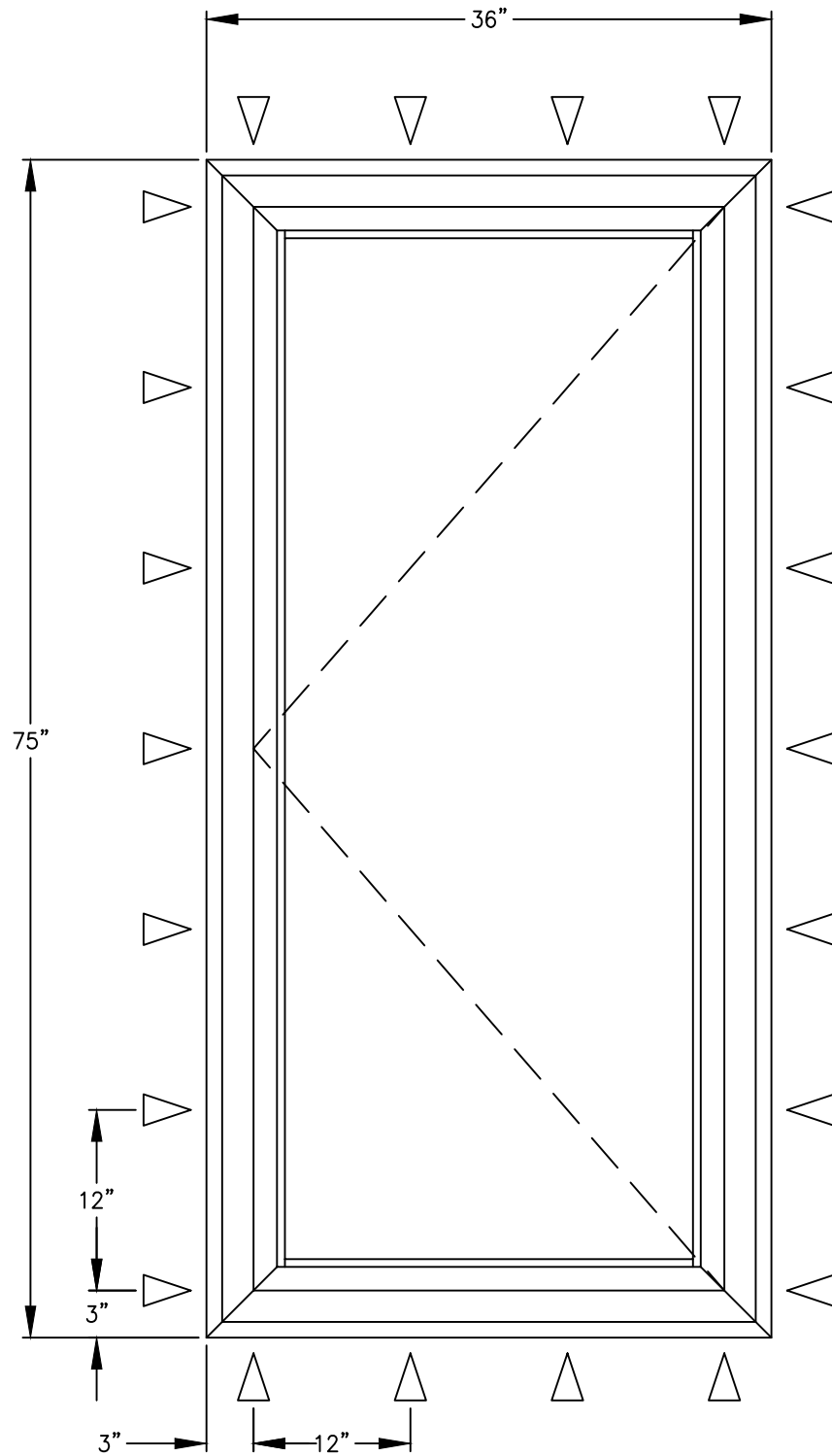
NOTES:

1. Products and installations depicted satisfy the requirements of the Florida Building Code, Building 7th Edition (2020) for design wind pressures and overall sizes noted.
2. Wood bucks, wood framing, steel stud framing, concrete and concrete masonry are by others and shall be designed by the architect or engineer of record to resist the loads imparted to them.
3. Wood buck strips and wood frames are assumed S-P-F (G=0.42) or denser. Buck width shall be greater than the frame width. Tapered or partial width buck strips are not allowed.
4. Concrete masonry installations are assumed at least ASTM C90 normal weight hollow masonry units with a 1-1/4" wall thickness or normal weight concrete with a minimum compressive strength of $f'c = 3,000$ psi.
5. Metal frames are assumed to be a minimum 18 gauge 33 KSI steel or 0.093" thick 6063-T5 aluminum.
6. Wood screws shall be corrosion resistant and meet the requirements of ANSI/ASME B18.6.1
7. Tapcon masonry anchors shall have a minimum embedment of 1-1/2" or full penetration of concrete masonry unit shell. They shall also have a minimum of 2" edge distance. Install concrete masonry anchors per manufacturer's installation instructions.
8. TEKS screws shall be corrosion resistant and shall be ASTM A510 Grade 1018 or equivalent.
9. Maximum permitted shim thickness is 1/4". Shims shall be non-compressible and load bearing type. Every through-frame fastener shall have a shim.
10. Products are not impact resistant and require approved protection devices if used in wind-borne debris regions.
11. Not Approved for use in High Velocity Hurricane Zone (HVHZ).

CONTENTS:

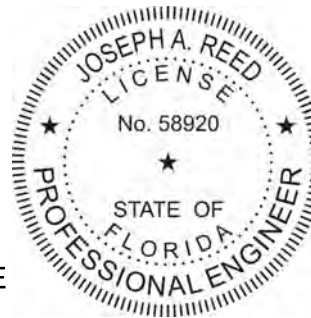
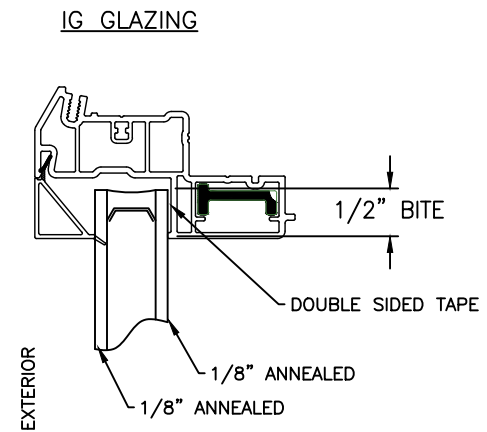
- Sheet 1 Notes
- Sheet 2-3 Fin Installations
- Sheets 4-5 Frame Installations

ASPECT/ENDURE CASEMENT WINDOW
(NON-IMPACT)
MAXIMUM SIZE: 36" X 75"
DESIGN PRESSURE: +50/-50 PSF



FIN AND FRAME INSTALLATION

△ ANCHOR
(SEE SHEETS 2 TO 5)

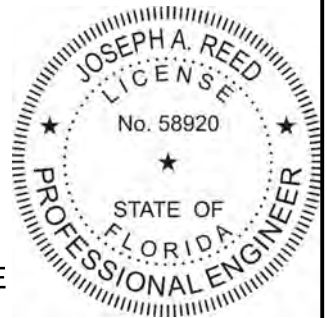
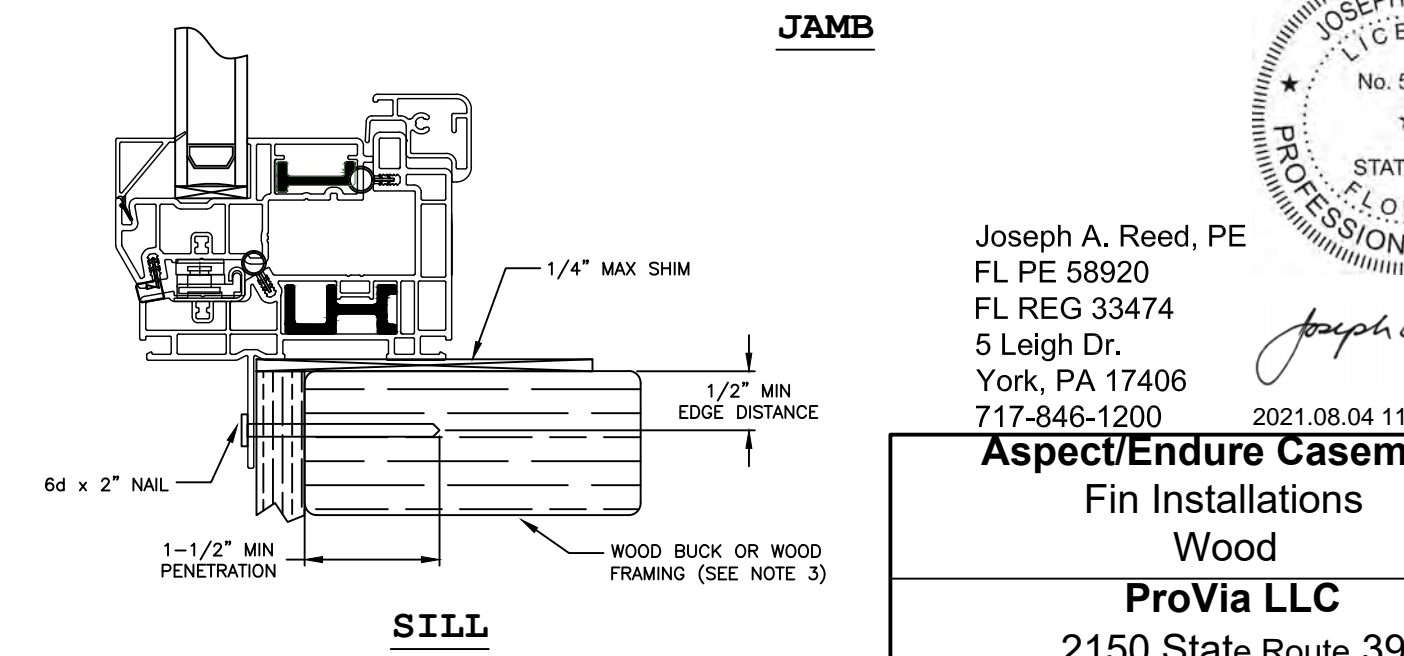
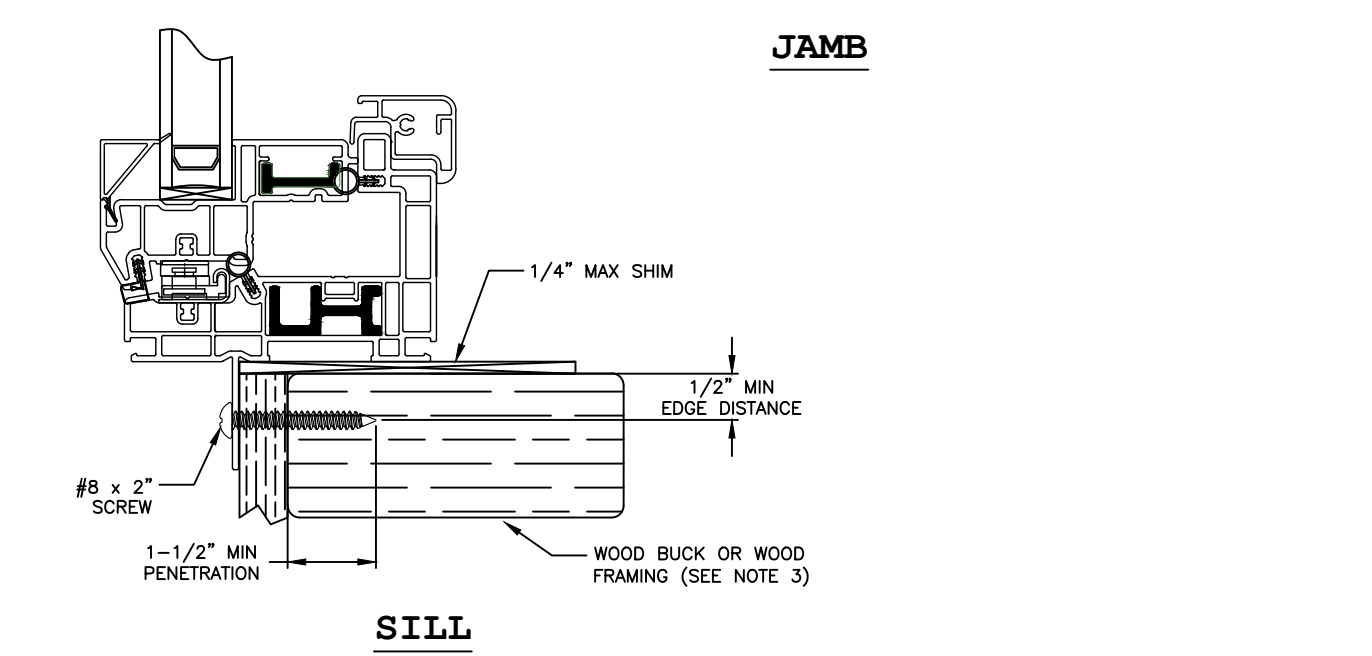
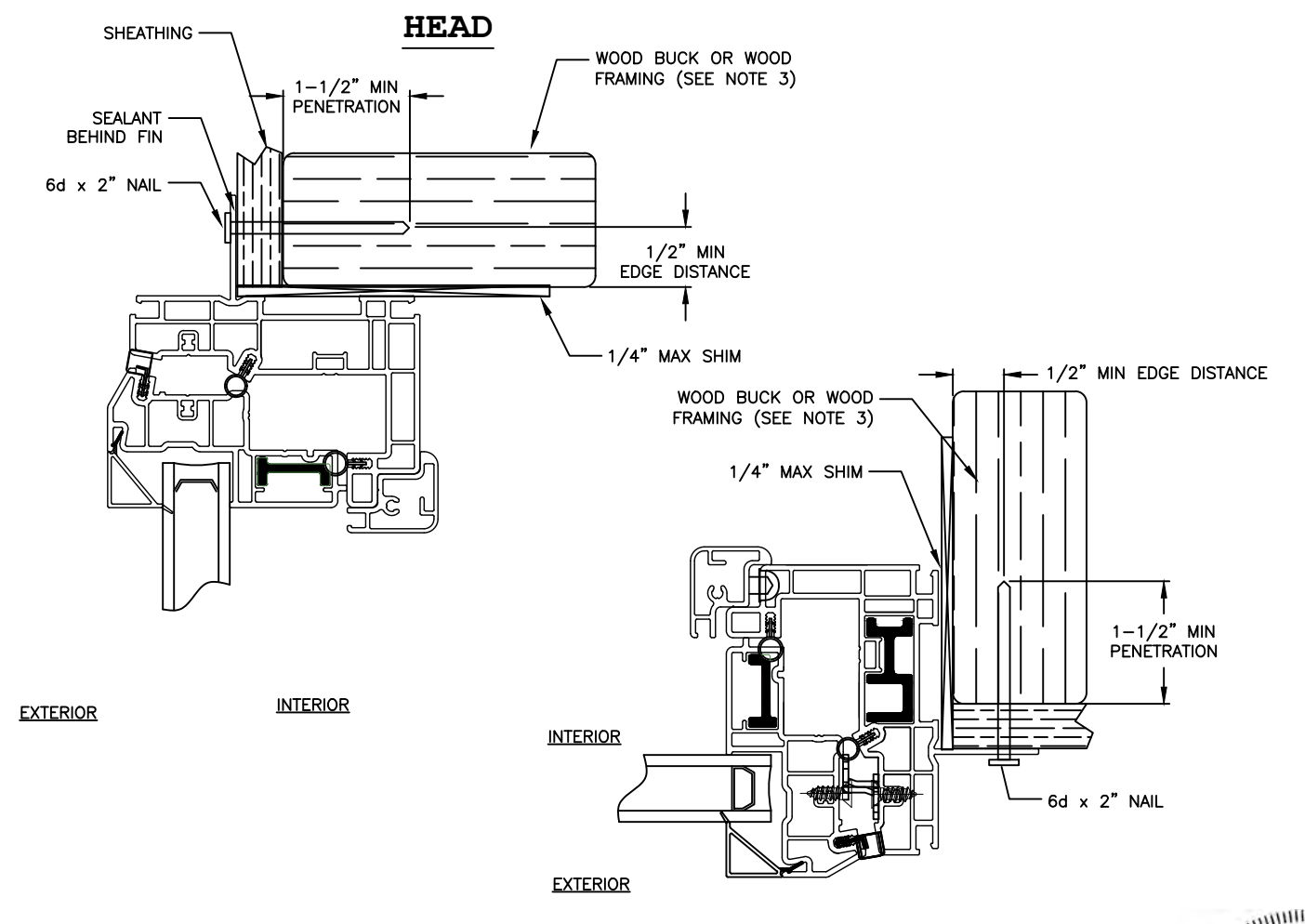
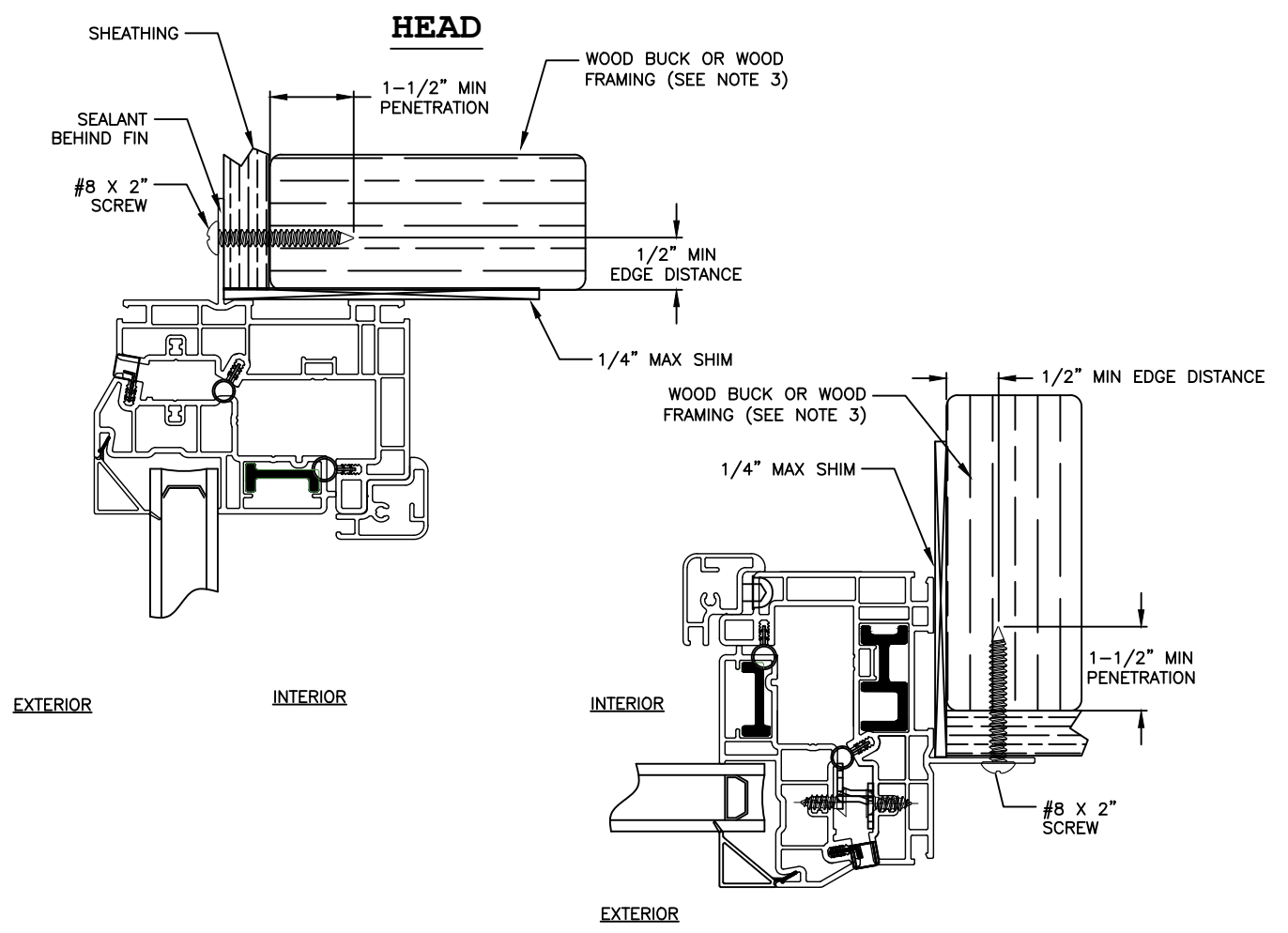


Joseph A. Reed, PE
FL PE 58920
FL REG 33474
5 Leigh Dr.
York, PA 17406
717-846-1200

Joseph A. Reed

2021.08.04 11:41:06 -04'00'

Aspect/Endure Casement Notes	
ProVia LLC 2150 State Route 39 Sugar creek, OH 44681	
Drawing No.: 24425-1-1006 Project No.: 24425-1 Drawn By: JAR Rev: Date: 07/29/21	
Scale: NTS	Sheet 1 of 5



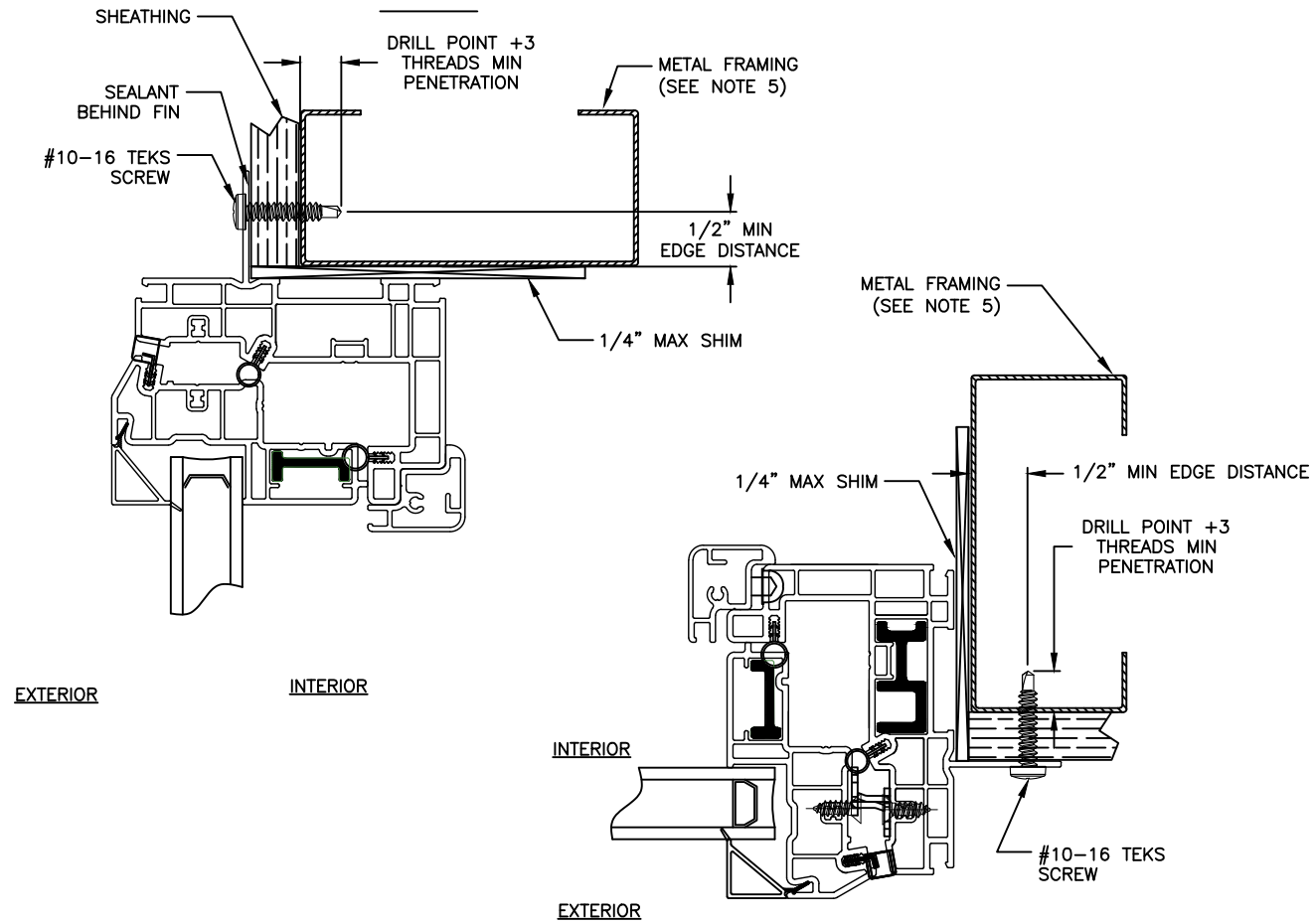
Joseph A. Reed, PE
 FL PE 58920
 FL REG 33474
 5 Leigh Dr.
 York, PA 17406
 717-846-1200

Joseph A. Reed

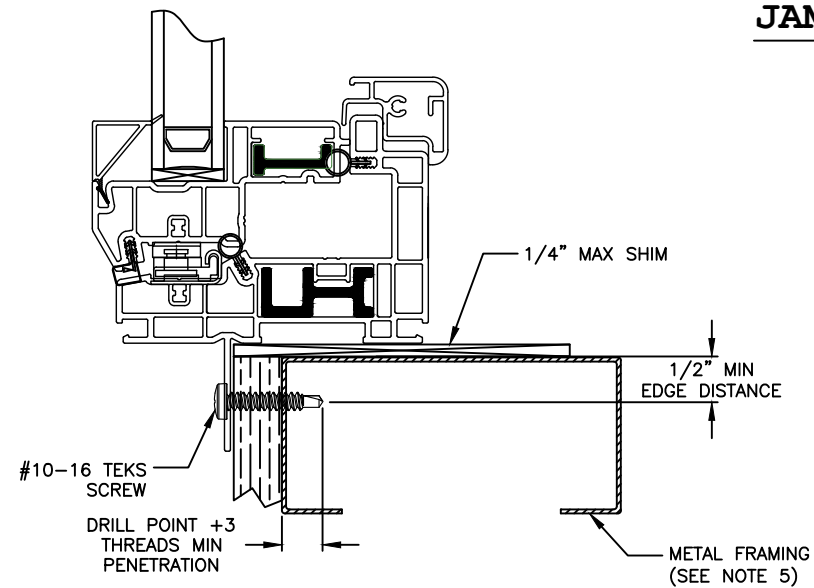
2021.08.04 11:41:06 -04'00'

Aspect/Endure Casement	
Fin Installations	
Wood	
ProVia LLC	
2150 State Route 39	
Sugarcreek, OH 44681	
Drawing No.: 24425-1-1006	
Project No.: 24425-1	
Drawn By: JAR	Rev: Date: 07/29/21
Scale: NTS	Sheet 2 of 5

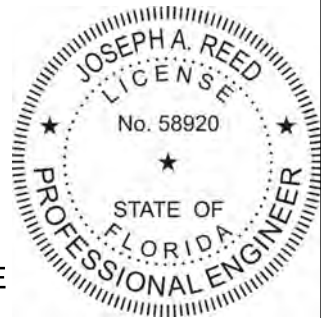
HEAD



JAMB



SILL



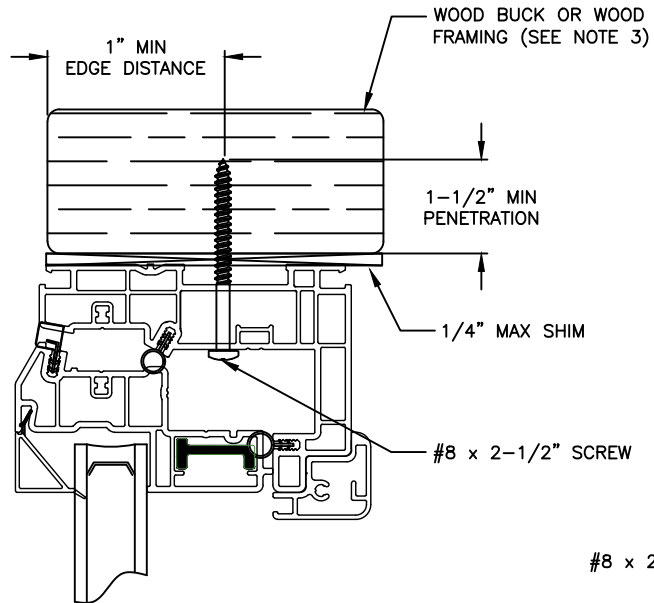
Joseph A. Reed, PE
 FL PE 58920
 FL REG 33474
 5 Leigh Dr.
 York, PA 17406
 717-846-1200

Joseph A. Reed

2021.08.04 11:41:06 -04'00'

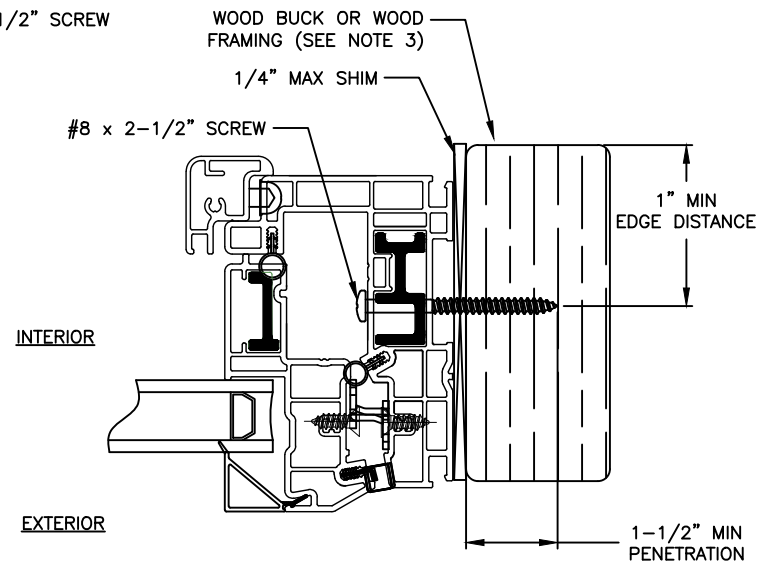
Aspect/Endure Casement Fin Installations Metal	
ProVia LLC 2150 State Route 39 Sugarcreek, OH 44681	
Drawing No.: 24425-1-1006 Project No.: 24425-1 Drawn By: JAR Rev: Date: 07/29/21	
Scale: NTS	Sheet 3 of 5

HEAD



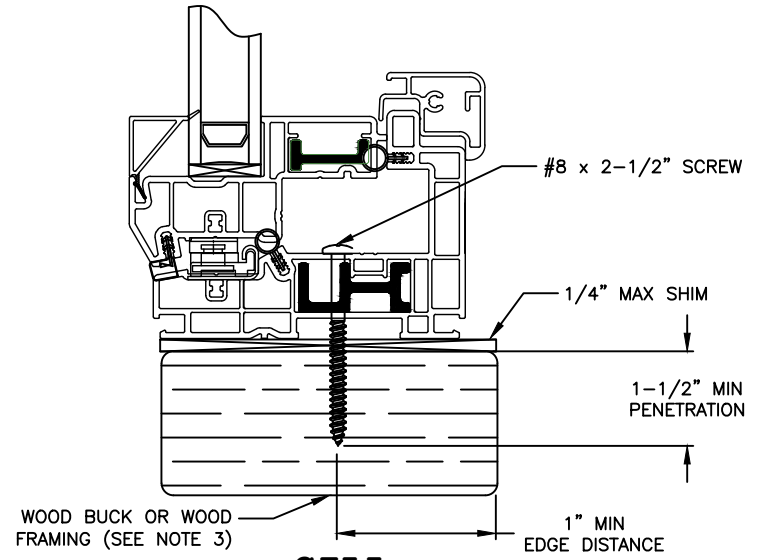
EXTERIOR INTERIOR

JAMB

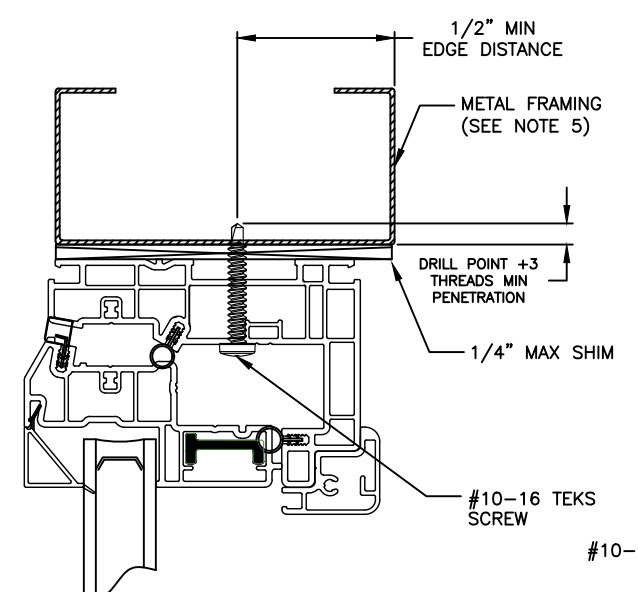


INTERIOR EXTERIOR

SILL

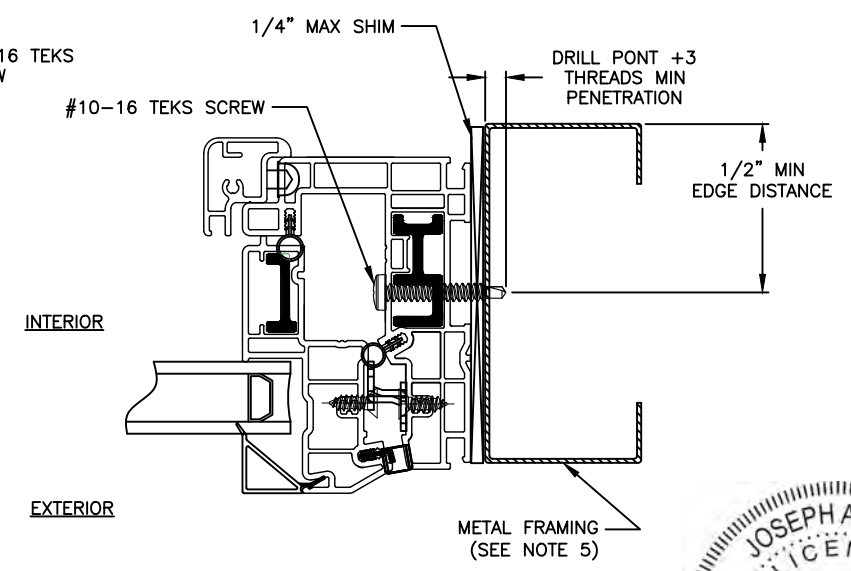


HEAD



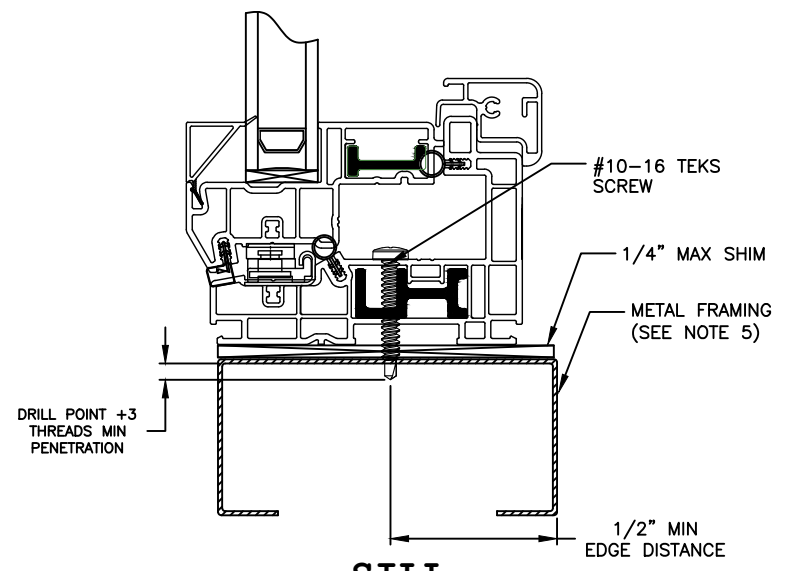
EXTERIOR INTERIOR

JAMB



INTERIOR EXTERIOR

SILL

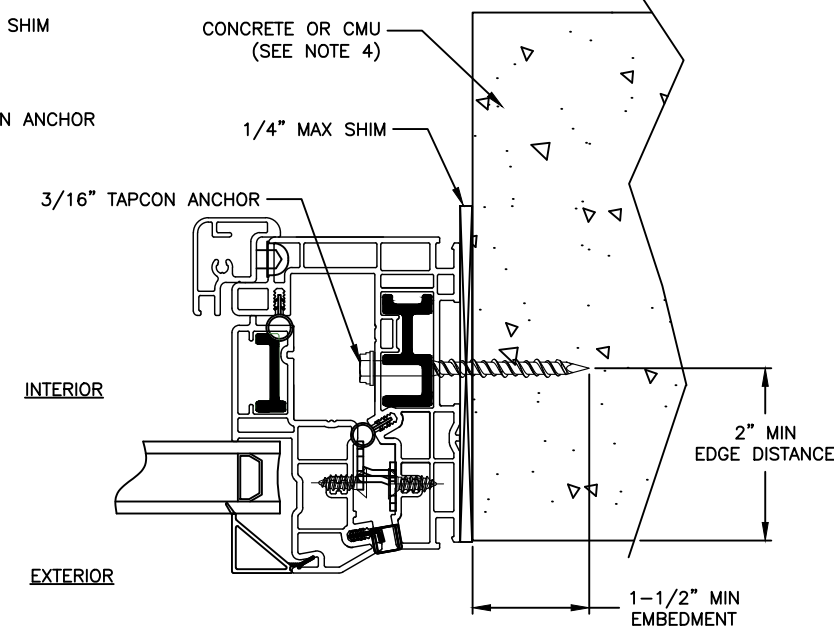
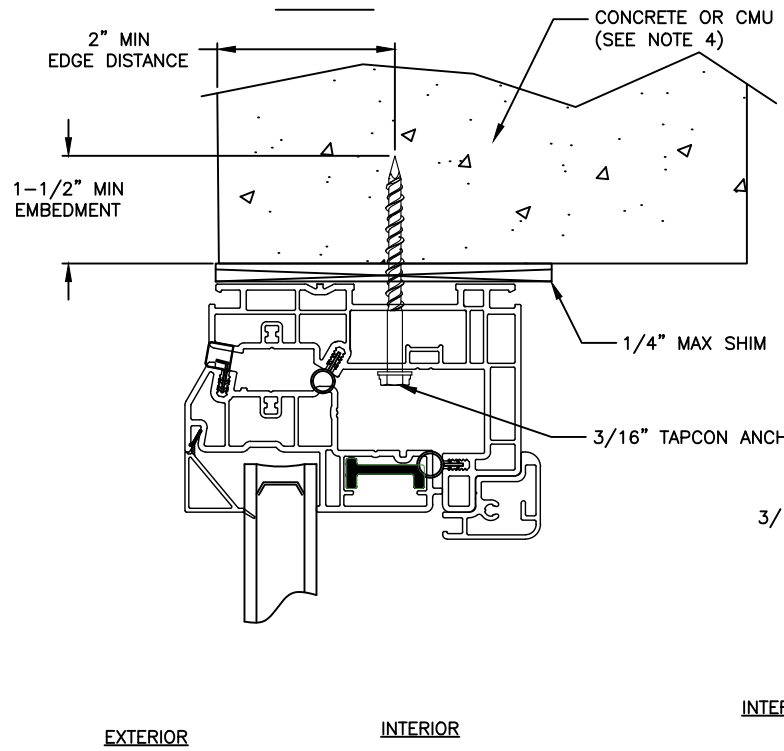


Joseph A. Reed, PE
 FL PE 58920
 FL REG 33474
 5 Leigh Dr.
 York, PA 17406
 717-846-1200

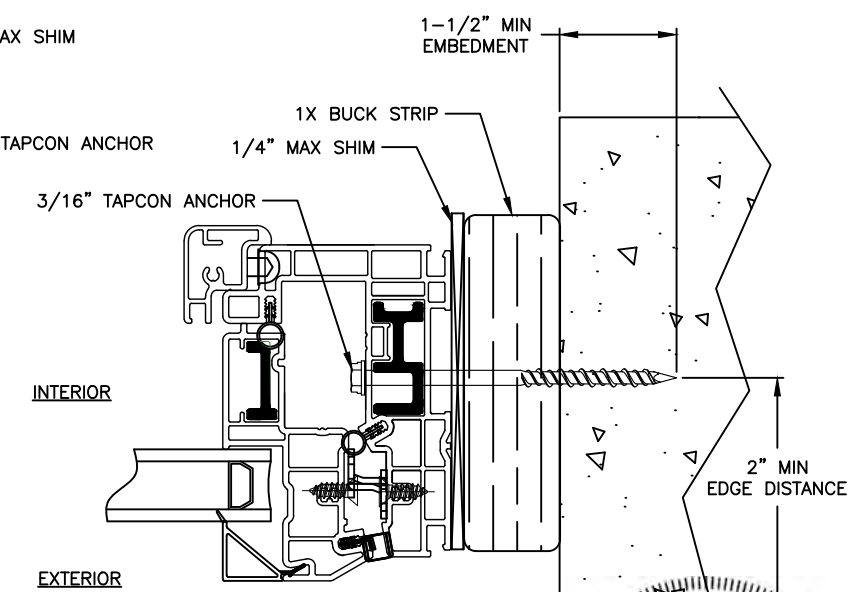
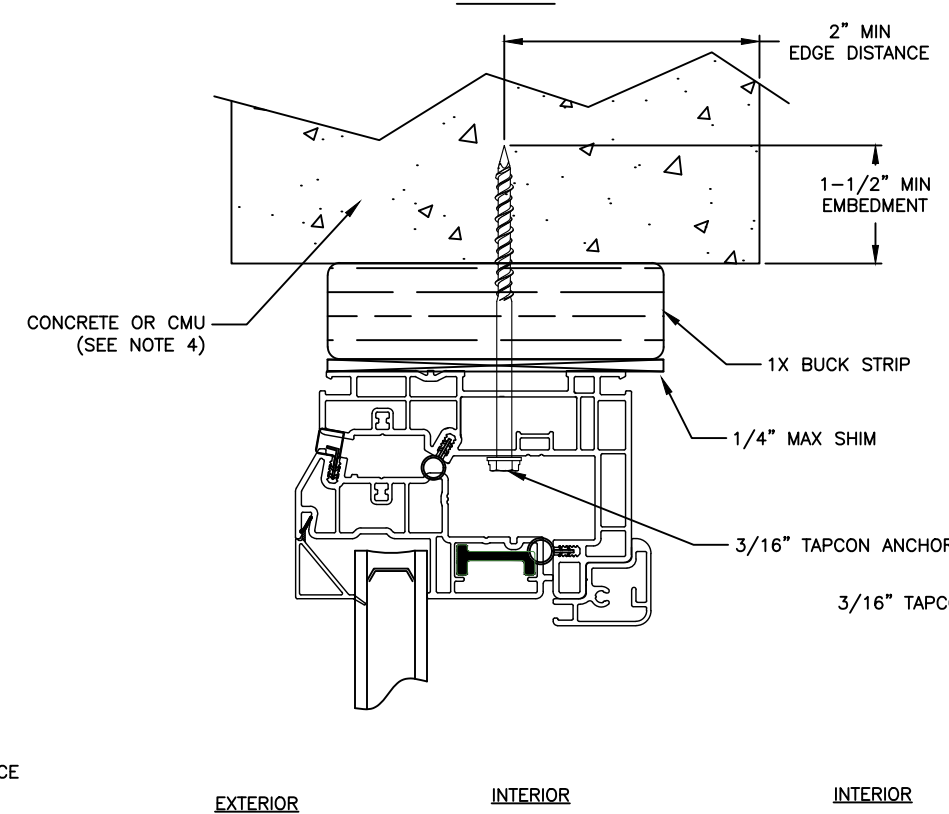
Joseph A. Reed
 2021.08.04 11:41:06 -04'00'

Aspect/Endure Casement	
Frame Installations Wood and Metal	
ProVia LLC	
2150 State Route 39 Sugar creek, OH 44681	
Drawing No.: 24425-1-1006 Project No.: 24425-1 Drawn By: JAR Rev: Date: 07/29/21	
Scale: NTS	Sheet 4 of 5

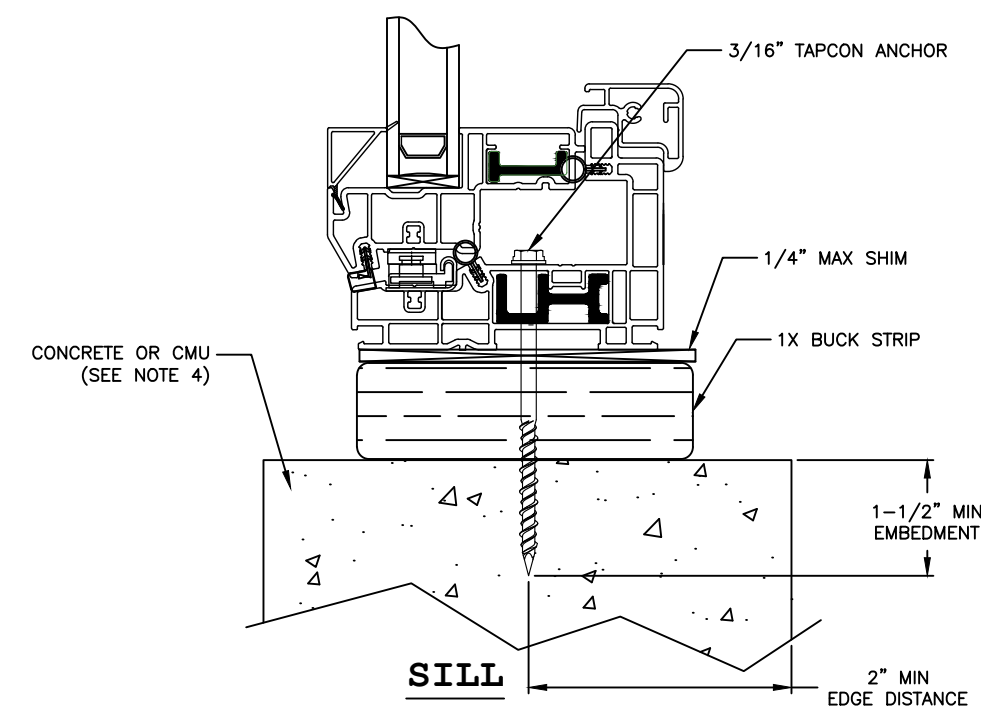
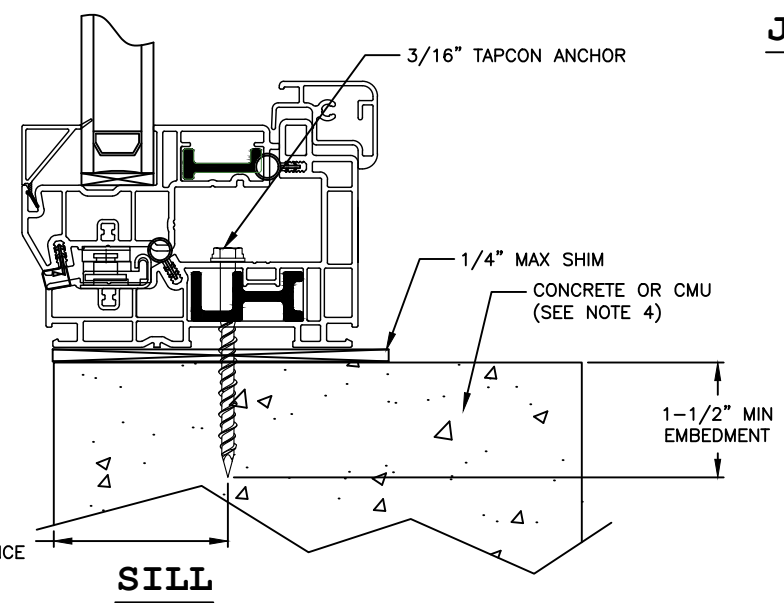
HEAD



HEAD

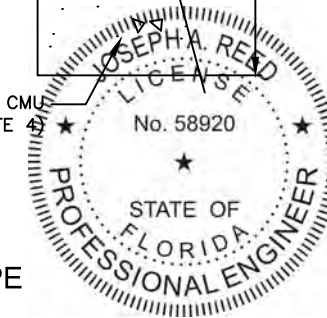


JAMB



JAMB

CONCRETE OR CMU (SEE NOTE 4)



Joseph A. Reed, PE
 FL PE 58920
 FL REG 33474
 5 Leigh Dr.
 York, PA 17406
 717-846-1200

Joseph A. Reed
 2021.08.04 11:41:06 -04'00'

Aspect/Endure Casement

Frame Installations
Concrete and CMU

ProVia LLC

2150 State Route 39
Sugarcreek, OH 44681

Drawing No.: 24425-1-1006

Project No.: 24425-1

Drawn By: JAR Rev: Date: 07/29/21

Scale: NTS

Sheet 5 of 5