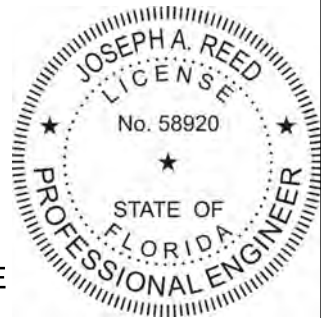


NOTES:

1. Products and installations depicted satisfy the requirements of the Florida Building Code, Building 7th Edition (2020) for design wind pressures and overall sizes noted.
2. Wood bucks, wood framing, steel stud framing, concrete and concrete masonry are by others and shall be designed by the architect or engineer of record to resist the loads imparted to them.
3. Wood buck strips and wood frames are assumed S-P-F (G=0.42) or denser. Buck width shall be greater than the frame width. Tapered or partial width buck strips are not allowed.
4. Concrete masonry installations are assumed at least ASTM C90 normal weight hollow masonry units with a 1-1/4" wall thickness or normal weight concrete with a minimum compressive strength of $f'c = 3,000$ psi.
5. Metal frames are assumed to be a minimum 18 gauge 33 KSI steel or 0.093" thick 6063-T5 aluminum.
6. Wood screws shall be corrosion resistant and meet the requirements of ANSI/ASME B18.6.1
7. Tapcon masonry anchors shall have a minimum embedment of 1-1/2" or full penetration of concrete masonry unit shell. They shall also have a minimum of 2" edge distance. Install concrete masonry anchors per manufacturer's installation instructions.
8. TEKS screws shall be corrosion resistant and shall be ASTM A510 Grade 1018 or equivalent.
9. Maximum permitted shim thickness is 1/4". Shims shall be non-compressible and load bearing type. Every through-frame fastener shall have a shim.
10. Products are not impact resistant and require approved protection devices if used in wind-borne debris regions.
11. Not Approved for use in High Velocity Hurricane Zone (HVHZ).

CONTENTS:

Sheet 1 Notes
Sheet 2 Elevations
Sheet 3-4 Fin Installations
Sheets 5-6 Frame Installations



Joseph A. Reed, PE
FL PE 58920
FL REG 33474
5 Leigh Dr.
York, PA 17406
717-846-1200

Joseph A. Reed

2021.08.04 11:41:06 -04'00'

**Ecolite Double Hung
Notes**

ProVia LLC

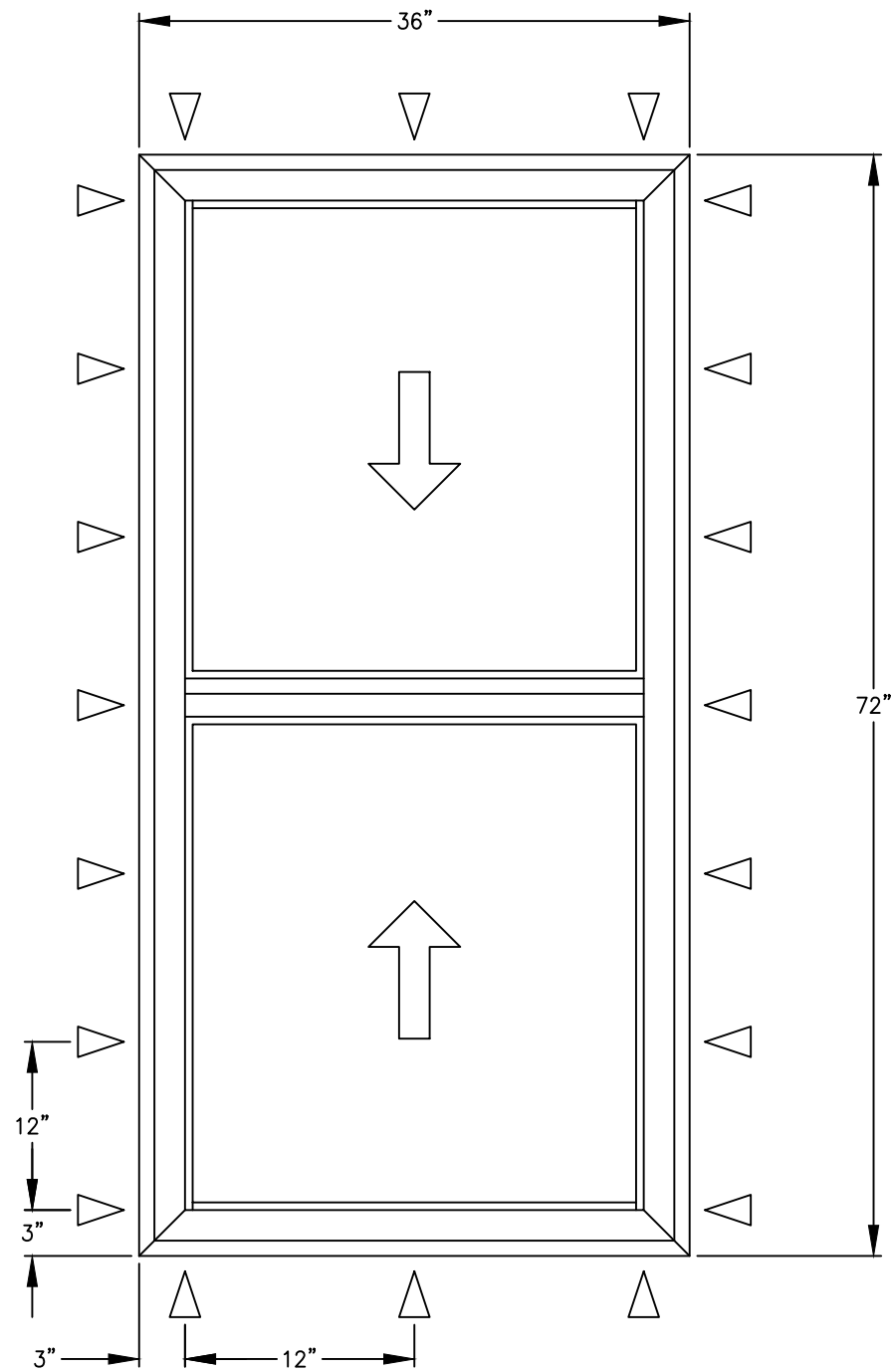
2150 State Route 39
Sugar creek, OH 44681

Drawing No.: 24425-1-1002
Project No.: 24425-1
Drawn By: JAR Rev: Date: 07/29/21

Scale: NTS

Sheet 1 of 6

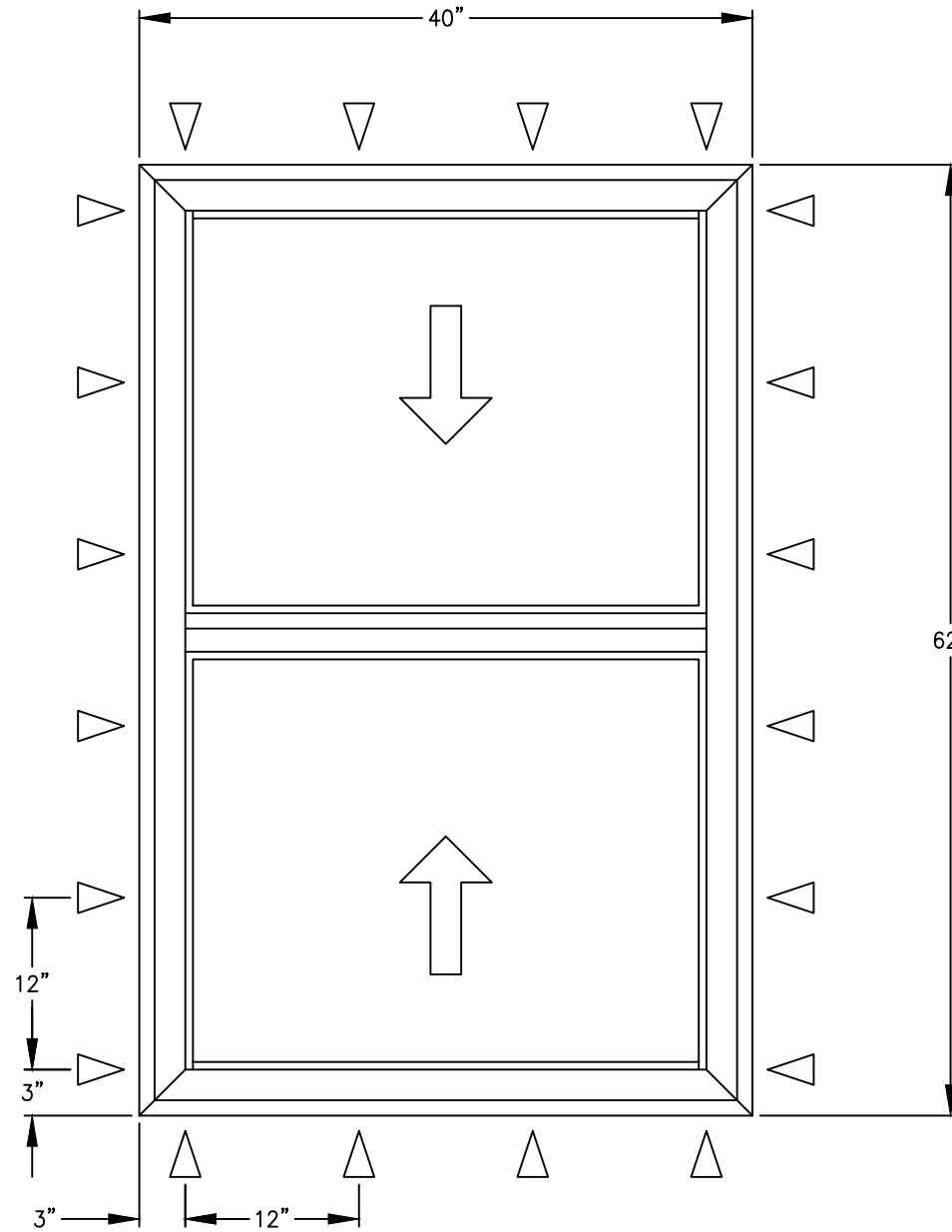
ECOLITE DOUBLE HUNG WINDOW (NON-IMPACT)
 MAXIMUM SIZE: 36" X 72"
 DESIGN PRESSURE: +50/-50 PSF



FIN AND FRAME INSTALLATION

△ ANCHOR
 (SEE SHEETS 3 TO 6)

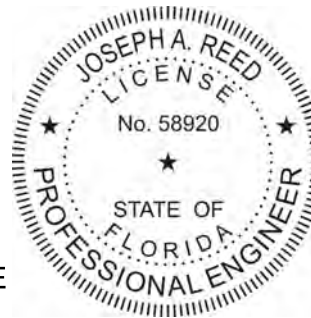
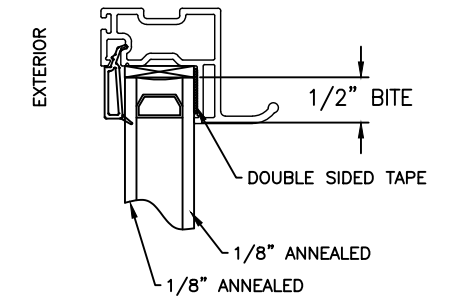
ECOLITE DOUBLE HUNG WINDOW (NON-IMPACT)
 MAXIMUM SIZE: 40" X 62"
 DESIGN PRESSURE: +40/-40 PSF



FIN AND FRAME INSTALLATION

△ ANCHOR
 (SEE SHEETS 3 TO 6)

IG GLAZING



Joseph A. Reed, PE
 FL PE 58920
 FL REG 33474
 5 Leigh Dr.
 York, PA 17406
 717-846-1200

Joseph A. Reed

2021.08.04 11:41:06 -04'00'

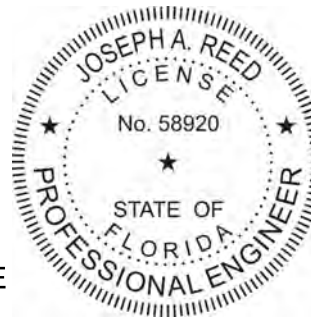
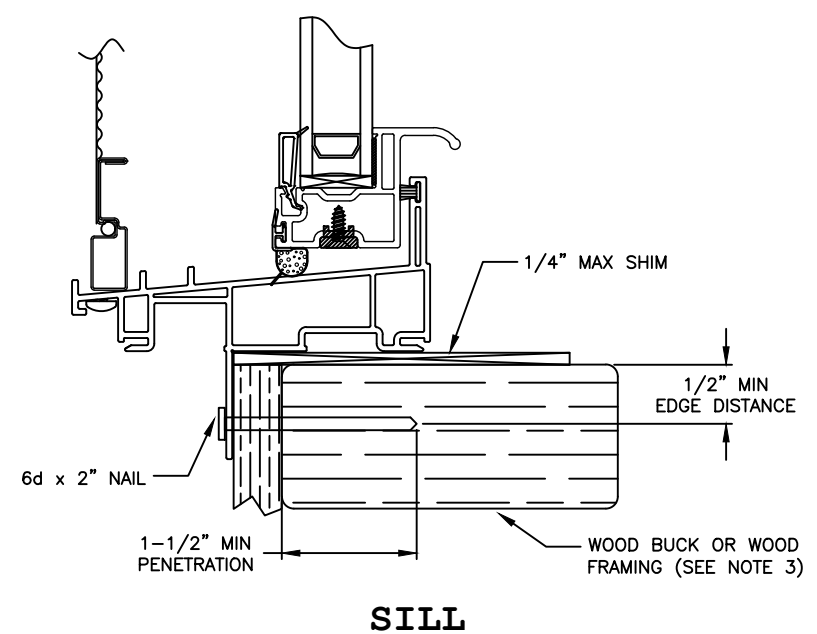
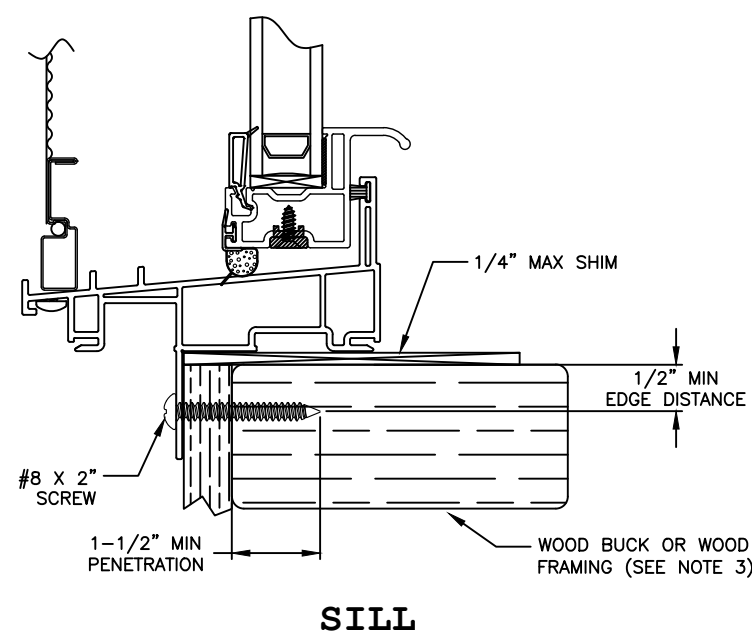
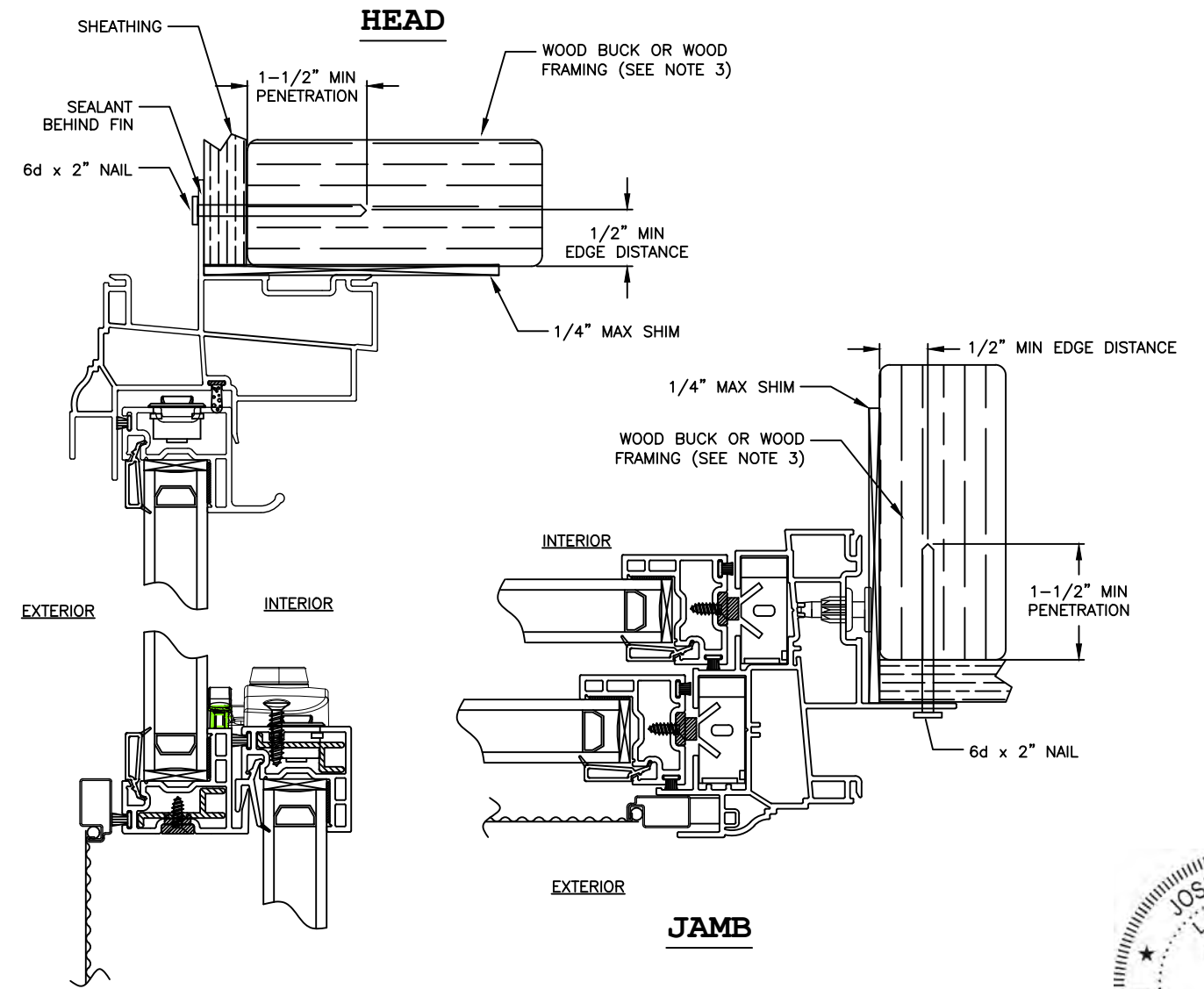
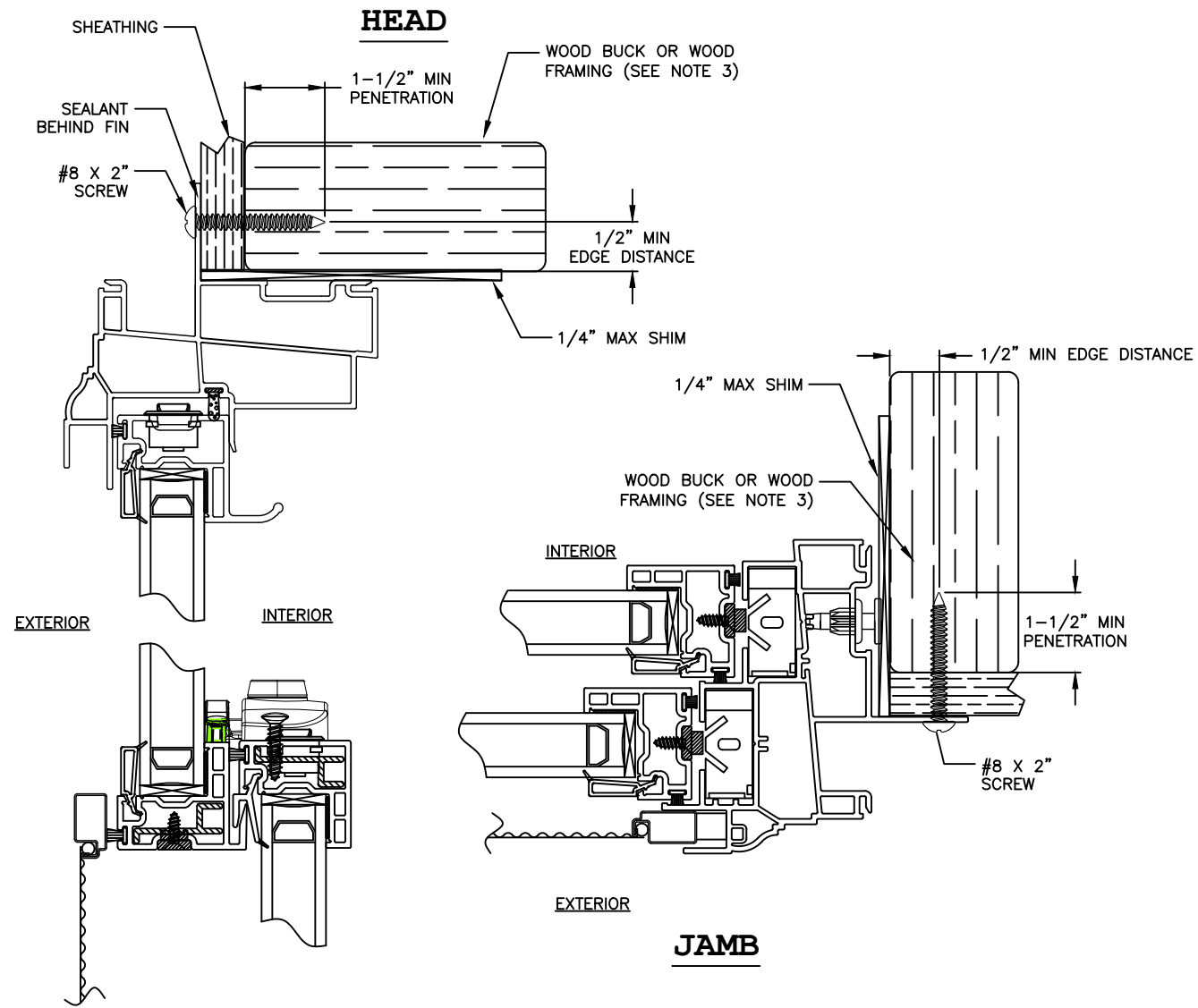
**Ecolite Double Hung
 Elevations**

ProVia LLC
 2150 State Route 39
 Sugarcreek, OH 44681

Drawing No.: 24425-1-1002
 Project No.: 24425-1
 Drawn By: JAR Rev: Date: 07/29/21

Scale: NTS

Sheet 2 of 6

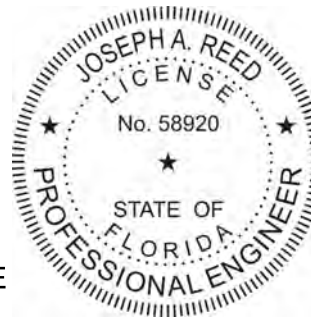
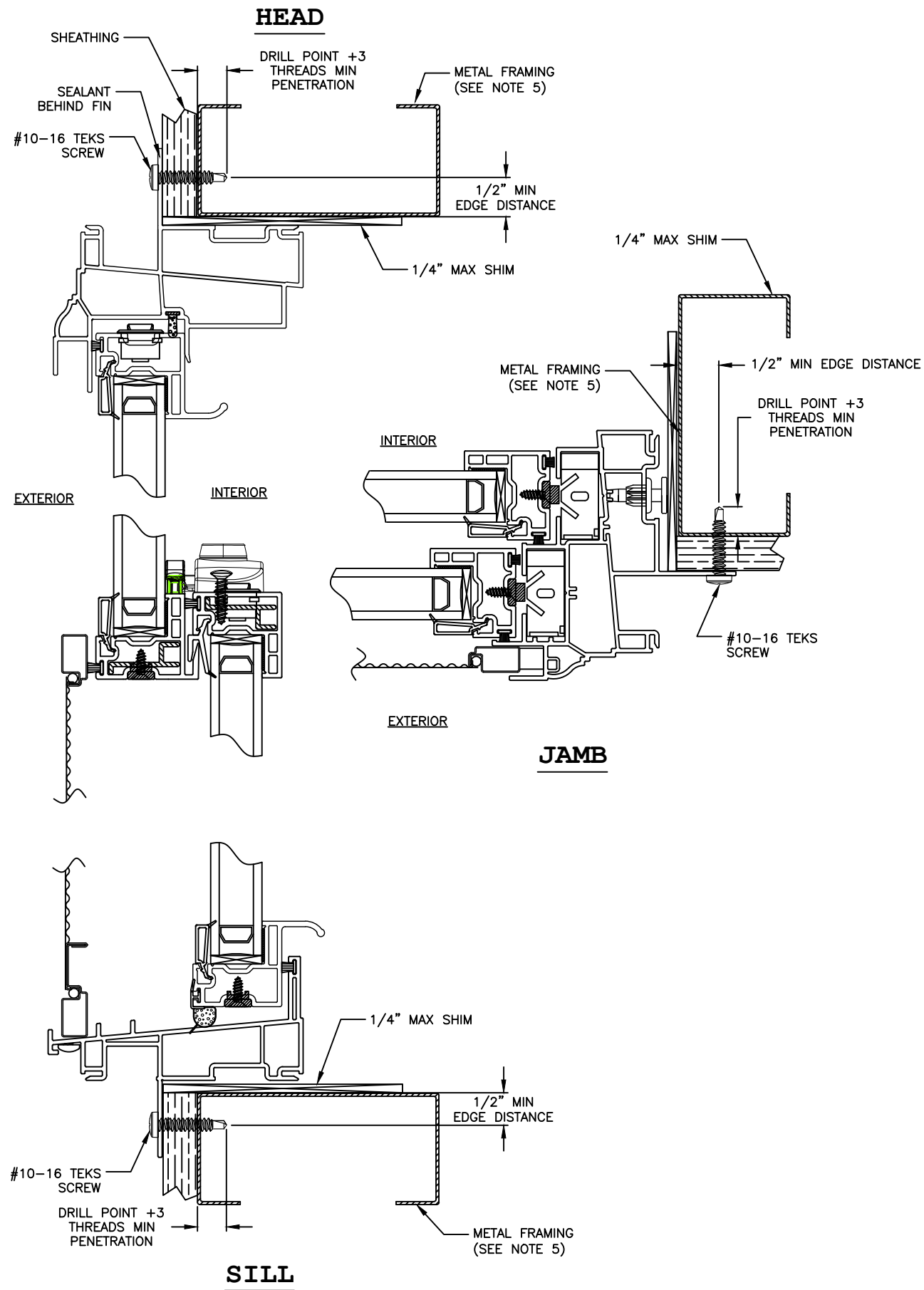


Joseph A. Reed, PE
 FL PE 58920
 FL REG 33474
 5 Leigh Dr.
 York, PA 17406
 717-846-1200

Joseph A. Reed

2021.08.04 11:41:06 -04'00'

Ecolite Double Hung	
Fin Installations	
Wood	
ProVia LLC	
2150 State Route 39	
Sugarcreek, OH 44681	
Drawing No.: 24425-1-1002	
Project No.: 24425-1	
Drawn By: JAR	Rev: Date: 07/29/21
Scale: NTS	Sheet 3 of 6



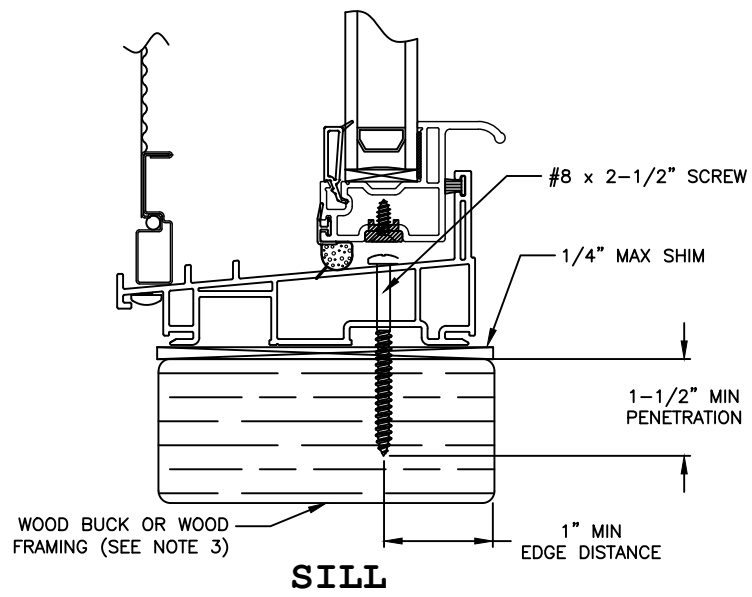
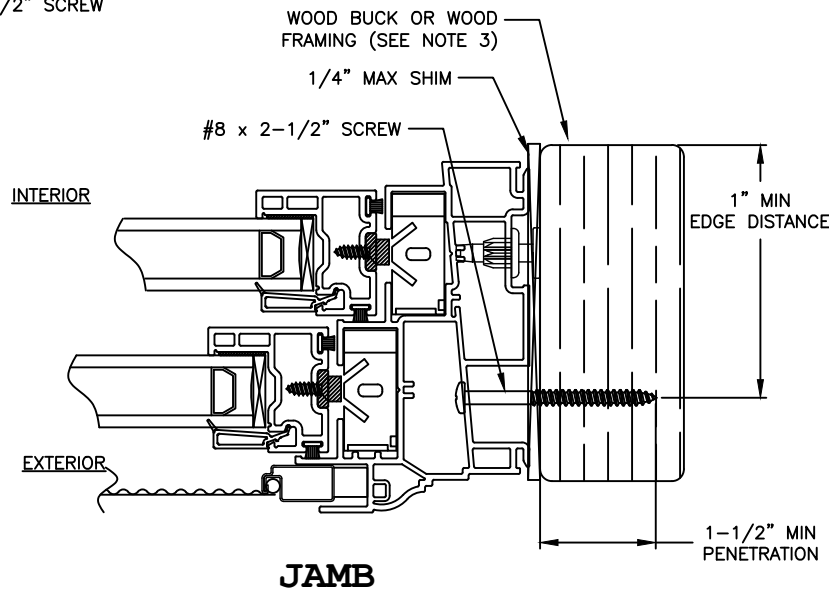
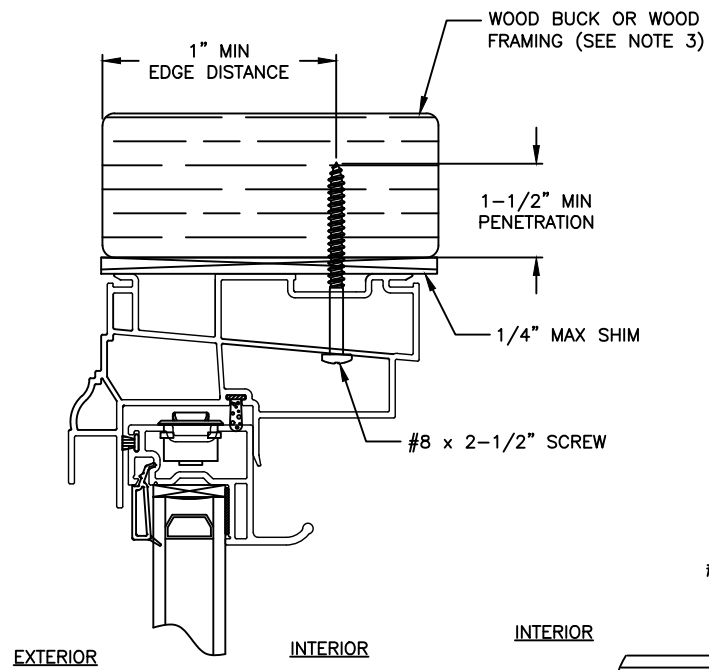
Joseph A. Reed, PE
 FL PE 58920
 FL REG 33474
 5 Leigh Dr.
 York, PA 17406
 717-846-1200

Joseph A. Reed

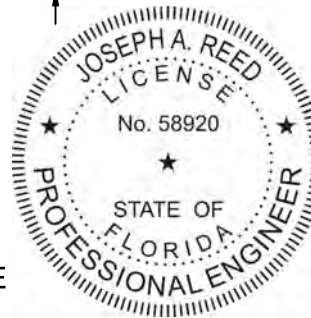
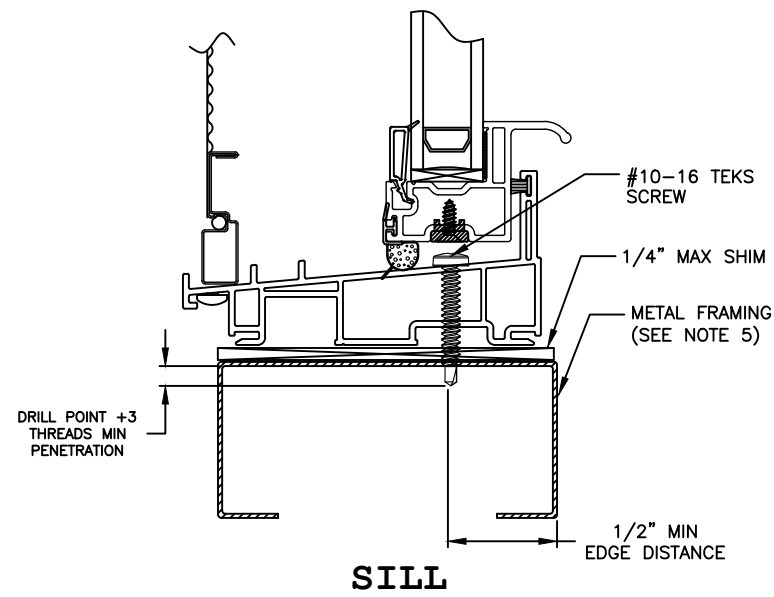
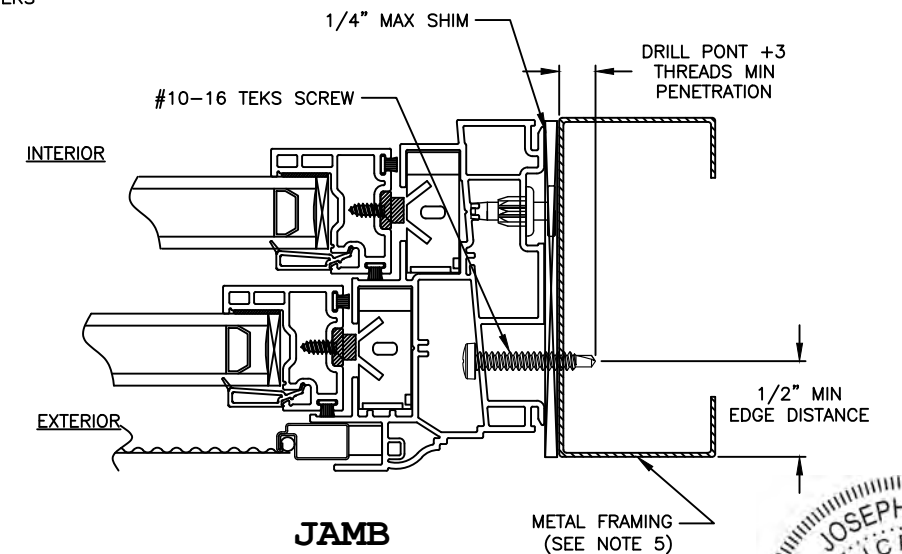
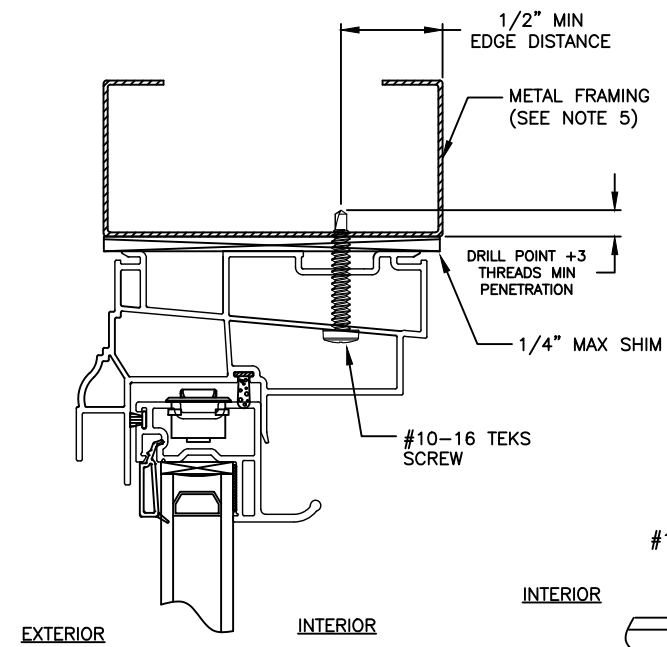
2021.08.04 11:41:06 -04'00'

Ecolite Double Hung Fin Installations Metal	
ProVia LLC 2150 State Route 39 Sugar creek, OH 44681	
Drawing No.: 24425-1-1002 Project No.: 24425-1 Drawn By: JAR Rev: Date: 07/29/21	
Scale: NTS	Sheet 4 of 6

HEAD



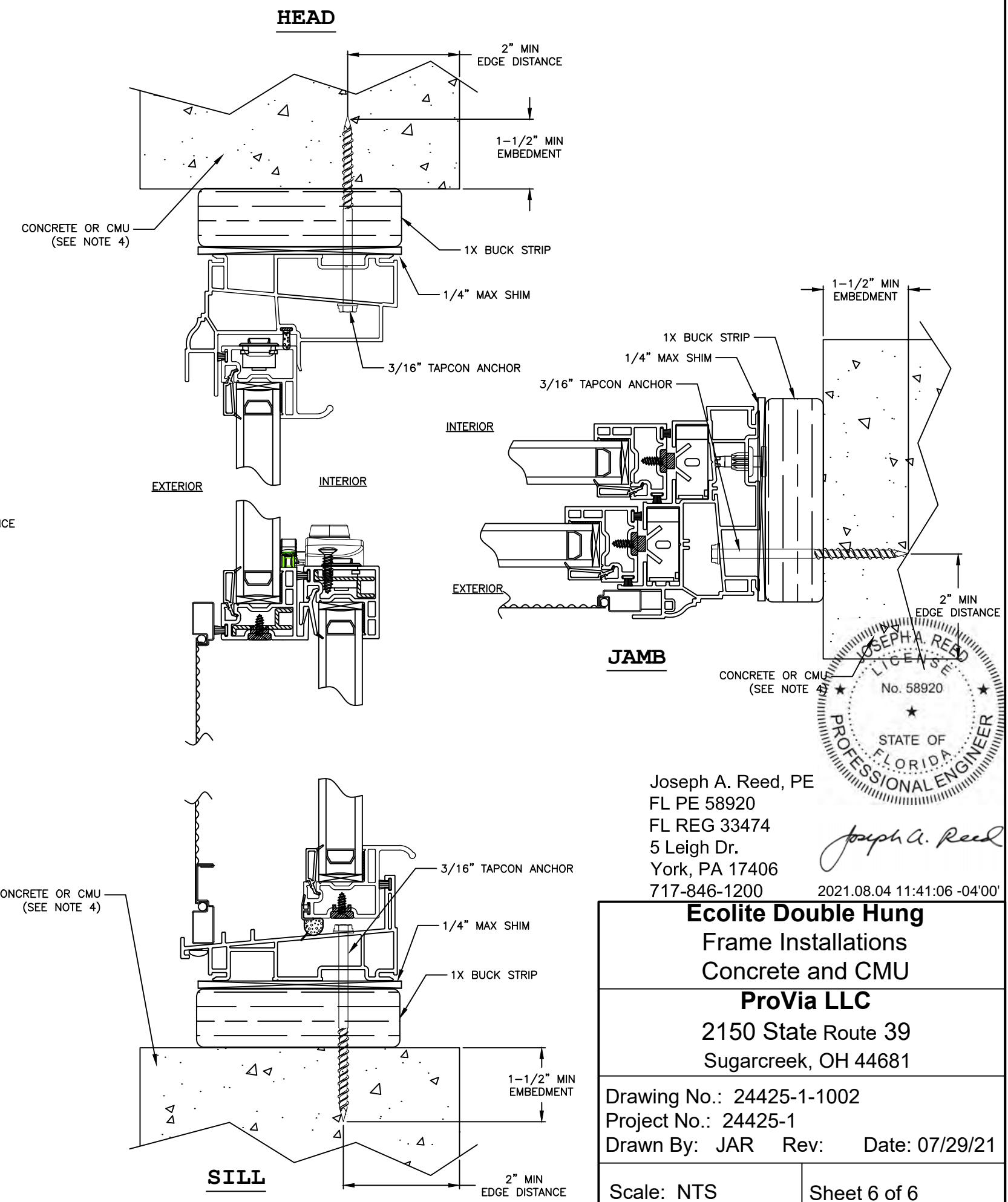
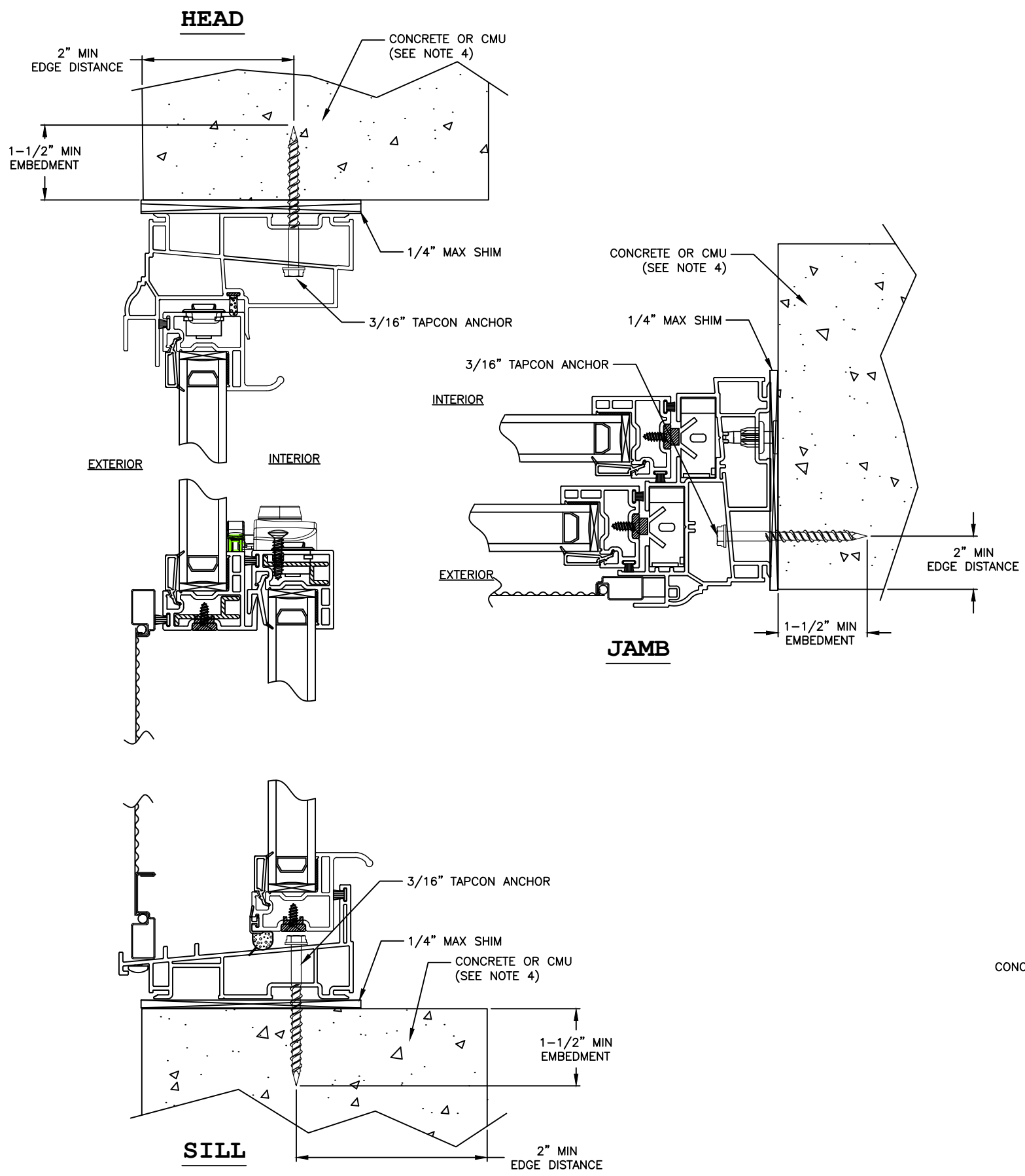
HEAD



Joseph A. Reed, PE
 FL PE 58920
 FL REG 33474
 5 Leigh Dr.
 York, PA 17406
 717-846-1200

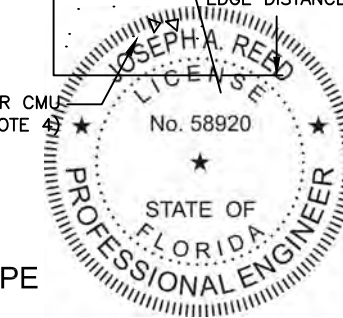
Joseph A. Reed
 2021.08.04 11:41:06 -04'00'

Ecolite Double Hung Frame Installations Wood and Metal	
ProVia LLC 2150 State Route 39 Sugarcreek, OH 44681	
Drawing No.: 24425-1-1002 Project No.: 24425-1 Drawn By: JAR Rev: Date: 07/29/21	
Scale: NTS	Sheet 5 of 6



Joseph A. Reed, PE
 FL PE 58920
 FL REG 33474
 5 Leigh Dr.
 York, PA 17406
 717-846-1200

2021.08.04 11:41:06 -04'00'



Ecolite Double Hung	
Frame Installations Concrete and CMU	
ProVia LLC	
2150 State Route 39 Sugar creek, OH 44681	
Drawing No.: 24425-1-1002	
Project No.: 24425-1	
Drawn By: JAR	Rev: Date: 07/29/21
Scale: NTS	Sheet 6 of 6