

SIMONTON WINDOWS - 15-15 / 15-16 2-LITE SLIDING PATIO DOOR

w/SAFEPOINT IMPACT - MISSILE C



1 COCHRANE AVENUE
PENNSBORO, WV 26415
PH: 800-542-9118

NOTES:

- THIS INSTALLATION HAS BEEN EVALUATED FOR USE IN LOCATIONS ADHERING TO THE FLORIDA BUILDING CODES AND WHERE PRESSURE REQUIREMENTS AS DETERMINED BY ASCE 7 MINIMUM DESIGN LOADS FOR BUILDINGS AND OTHER STRUCTURES DO NOT EXCEED THE DESIGN PRESSURE RATINGS HEREIN, FOR USE OUTSIDE THE H.V.H.Z.
- THIS PRODUCT IS MISSILE LEVEL C, WIND ZONE 2 IMPACT RESISTANT. WHEN USED IN WINDOW ZONE 2 OR BELOW AREAS, THIS PRODUCT DOES NOT REQUIRE THE USE OF APPROVED IMPACT PROTECTIONS DEVICES (SHUTTERS).
- ALL INTERIOR AND EXTERIOR PERIMETER SURFACES OF THE WINDOW MUST BE CAULKED.
- ANCHOR TYPE, SIZE, SPACING, AND EMBEDMENT SHALL BE AS SPECIFIED IN THESE DRAWINGS. USE APPROPRIATE ANCHORAGE FROM TABLE I ACCORDING TO SUBSTRATE TYPE. A MINIMUM CENTER-TO-CENTER SPACING OF 4" SHALL BE MAINTAINED BETWEEN ALL INSTALLATION FASTENERS IN ANY DIRECTION.
- ANCHOR EMBEDMENT TO SUBSTRATE SHALL BE BEYOND WALL DRESSING OR STUCCO. WOOD BUCKS WITH CONCRETE/CMU ARE OPTIONAL; IF USED, FOR WOOD BUCKS LESS THAN 1-1/2" THICK, INSTALLATION ANCHOR EMBEDMENT SHALL BE BEYOND WOOD BUCKS AND INTO CONCRETE/CMU. FOR WOOD BUCKS 1-1/2" THICK OR GREATER, INSTALLATION ANCHOR EMBEDMENT SHALL BE INTO WOOD BUCKS.
- WOOD, METAL, OR MASONRY OPENINGS, BUCKS, AND BUCK FASTENERS, BY OTHERS, SHALL BE PROPERLY DESIGNED AND INSTALLED BY OTHERS TO TRANSFER SUPERIMPOSED LOADS TO THE STRUCTURE. ADEQUACY OF THE STRUCTURE TO RECEIVED THESE LOADS SHALL BE VERIFIED BY THE CONTRACTOR OR AUTHORITY HAVING JURISDICTION (AHJ).
- IT IS THE RESPONSIBILITY OF THE ARCHITECT OR ENGINEER OF RECORD OR AS APPROVED BY THE AHJ TO SELECT SIMONTON PRODUCTS TO MEET ALL APPLICABLE LOCAL LAWS, BUILDING CODES, ORDINANCES, OR OTHER SAFETY REQUIREMENTS FOR EACH INSTALLATION.
- MAX. SHIM STACK IS 1/4", AND SHIMS SHOULD BE USED WHERE GAPS OF GREATER THAN 1/16" EXISTING BETWEEN THE OPENING AND FRAME IN THE FOLLOWING LOCATIONS: FOR THROUGH-FRAME AT EACH INSTALLATION ANCHOR, AND FOR FIN AT THE JAMBS MAX. 6" FROM CORNERS AND MAX. 25" ON-CENTER THEREAFTER. SHIMS SHALL BE LOAD-BEARING AND CAPABLE OF TRANSFERRING LOADS TO THE SUBSTRATE.
- SEALING AND FLASHING BY OTHERS SHOULD BE APPLIED USING THE ASTM E 2112 METHODOLOGY APPROPRIATE FOR THE OPENING INTO WHICH THE WINDOW IS BEING INSTALLED. OVERALL WATER PENETRATION RESISTANCE OF THE INSTALLED PRODUCT IS THE RESPONSIBILITY OF OTHERS.
- GLAZING SHALL COMPLY WITH ASTM E 1300.
- A WIND LOAD DURATION FACTOR Cd = 1.6 WAS USED FOR THE ANALYSIS OF WOOD SCREWS ONLY.
- ALL FASTENERS PENETRATING INTO PRESSURE TREATED WOOD SHALL BE COATED OR CONSTRUCTED OF MATERIAL CAPABLE OF PREVENTING CORROSION DUE TO REACTION WITH PRESSURE TREATMENT CHEMICALS. ANY DISSIMILAR MATERIALS THAT COME INTO CONTACT SHALL BE PROTECTED TO PREVENT REACTIONS IN ACCORDANCE WITH CODE REQUIREMENTS.
- WINDOWS SHALL BE CONSTRUCTED AS SPECIFIED IN TEST REPORTS SIMO-014-03-01 R0 BY PRI-CONSTRUCTION MATERIALS TECHNOLOGIES, LLC AND I10-24294-1 BY NATIONAL CERTIFIED TESTING LABORATORIES.
- DESIGNATION "X" IS FOR OPERABLE PANEL AND "O" IS FOR FIXED PANEL.
- USE A BACKER ROD ON ALL JOINTS >3/4". FINISHED CAULK JOINT SHOULD BE A MINIMUM OF 3/8".

PRODUCT MODEL	OVERALL SIZE		PERFORMANCE RATING	DESIGN PRESSURE	INSTALLATION METHOD	MISSILE IMPACT RATING
	WIDTH	HEIGHT				
15-16	71.25"	81.25"	R-PG40	+40/-40 PSF	NAIL FIN	MISSILE C WIND ZONE 2
15-15	71.25"	81.25"	R-PG40	+40/-40 PSF	THROUGH FRAME	

SECTION	SHEET DESCRIPTION
1	NOTES, DESIGN PRESSURE & INSTALLATION FASTENER TABLES
2	ELEVATION & ANCHOR LAYOUTS
3	VERTICAL SECTIONS
4	HORIZONTAL SECTIONS
5	HORIZONTAL SECTIONS & GLAZING DETAILS

ID	SUBSTRATE TYPE	ANCHOR TYPE	MIN. EMBED.	MIN. EDGE DISTANCE
FIN INSTALLATION				
A	2X MIN. SOUTHERN PINE WOOD (G=0.55)	#8 GRADE 5 WOOD SCREW	1-1/2"	3/8"
B	16 GAUGE (0.060"), STEEL 36 KSI MIN. OR 1/8" ALUM. 6063-T5 MIN.	#10 GRADE 5 SELF-TAPPING/DRILLING SCREW	FULL, PLUS 3 THREADS MIN.	3/8"
FRAME INSTALLATION				
C	2X MIN. SOUTHERN PINE WOOD (G=0.55)	1/4" DEWALT ULTRACON+	1-3/8"	7/8"
D	CONCRETE (3.05 KSI MIN.)	1/4" DEWALT ULTRACON+	1-3/4"	2-1/2"
E	HOLLOW OR GROUT-FILLED CMU (ASTM C-90)	1/4" DEWALT ULTRACON+	1-1/4"	2-1/2"
F	2X MIN. SOUTHERN PINE WOOD (G=0.55)	#12 GRADE 5 WOOD SCREW	1-3/8"	7/8"
G	16 GAUGE (0.060"), STEEL 36 KSI MIN. OR 1/8" ALUM. 6063-T5 MIN.	#12 GRADE 5 SELF-TAPPING/DRILLING SCREW	FULL, PLUS 3 THREADS MIN.	1/2"

*NOTE: ALL SCREWS SHALL HAVE MOD. TRUSS, PAN, OR HEX WASHER HEAD, 0.42" MIN. HEAD OR WASHER DIAMETER.

TITLE: 15-15/15-16 SLIDING PATIO DOOR W/SAFEPOINT NOTES: DESIGN PRESSURE & INSTALLATION FASTENER TABLES	DATE	BY	REVISION DESCRIPTION	NO.
	08.12.21	LHM		
	DWN BY:	CHK BY:	SCALE:	NTS



8/26/2021
LUCAS A. TURNER, P.E.
FL PE # 58201
TURNER ENGINEERING & CONSULTING, INC.
(COA # 29779)
2428 OLD NATCHEZ TRACE TRAIL, CAMDEN, TN 38320
PH. 941-380-1574

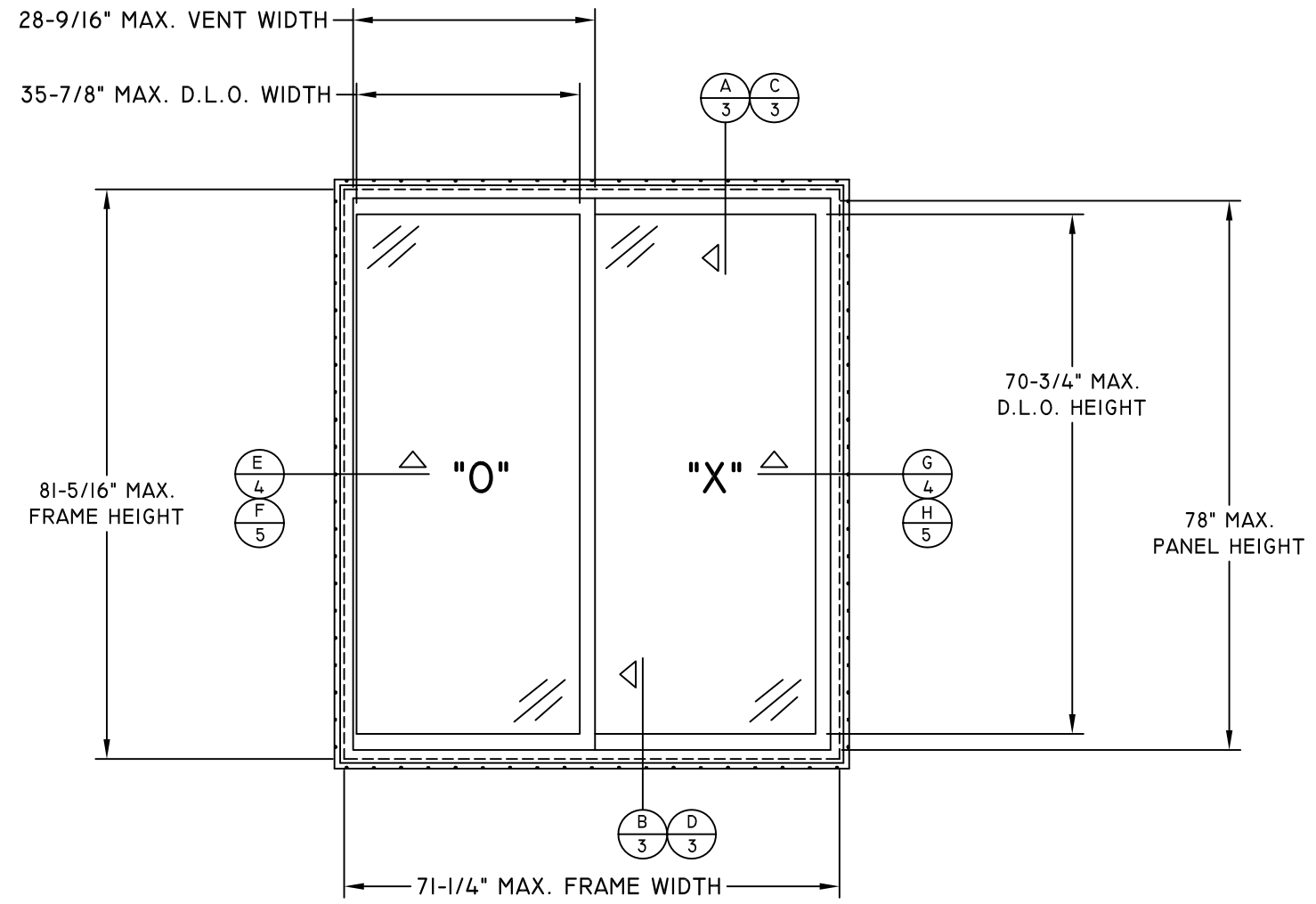
FL#: **39617**

DWG #: **IN0595FL**

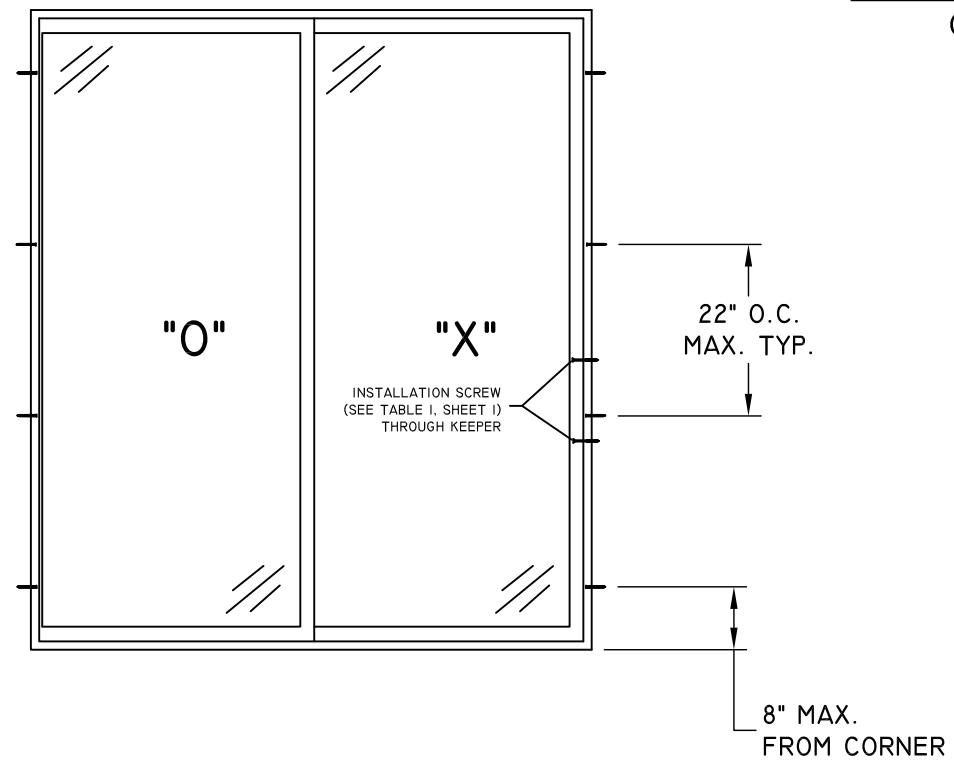
SHEET: **1-FL OF 5**



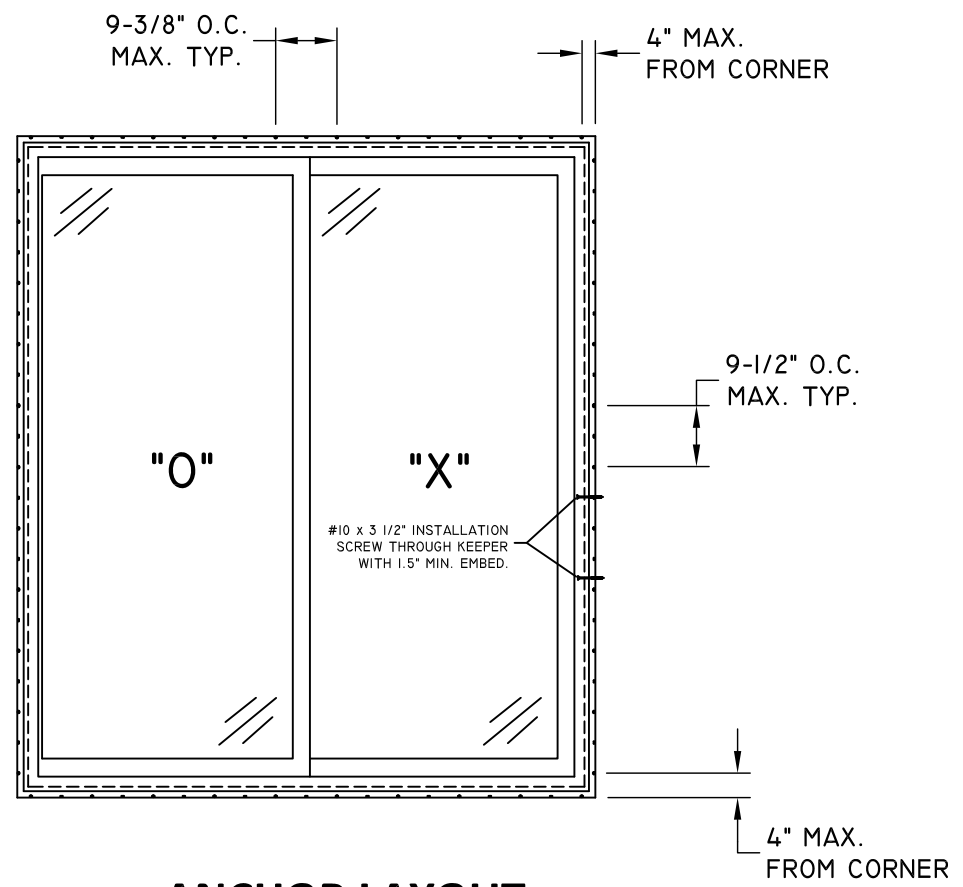
1 COCHRANE AVENUE
 PENNSBORO, WV 26415
 PH: 800-542-9118



ELEVATION VIEW
OX AND XO



ANCHOR LAYOUT
FINLESS



ANCHOR LAYOUT
FIN

TITLE: 15-15/16 SLIDING PATIO DOOR W/SAFEPOINT ELEVATIONS AND ANCHOR LAYOUTS

NO.	REVISION DESCRIPTION	BY	DATE

DATE: 08.12.21	DWN BY: LMH	CHK BY:	SCALE: NTS
-------------------	----------------	---------	---------------



8/26/2021
 LUCAS A. TURNER, P.E.
 FL PE # 58201
 TURNER ENGINEERING &
 CONSULTING, INC.
 (COA # 29779)
 2428 OLD NATCHEZ TRACE
 TRAIL, CAMDEN, TN 38320
 PH. 941-380-1574

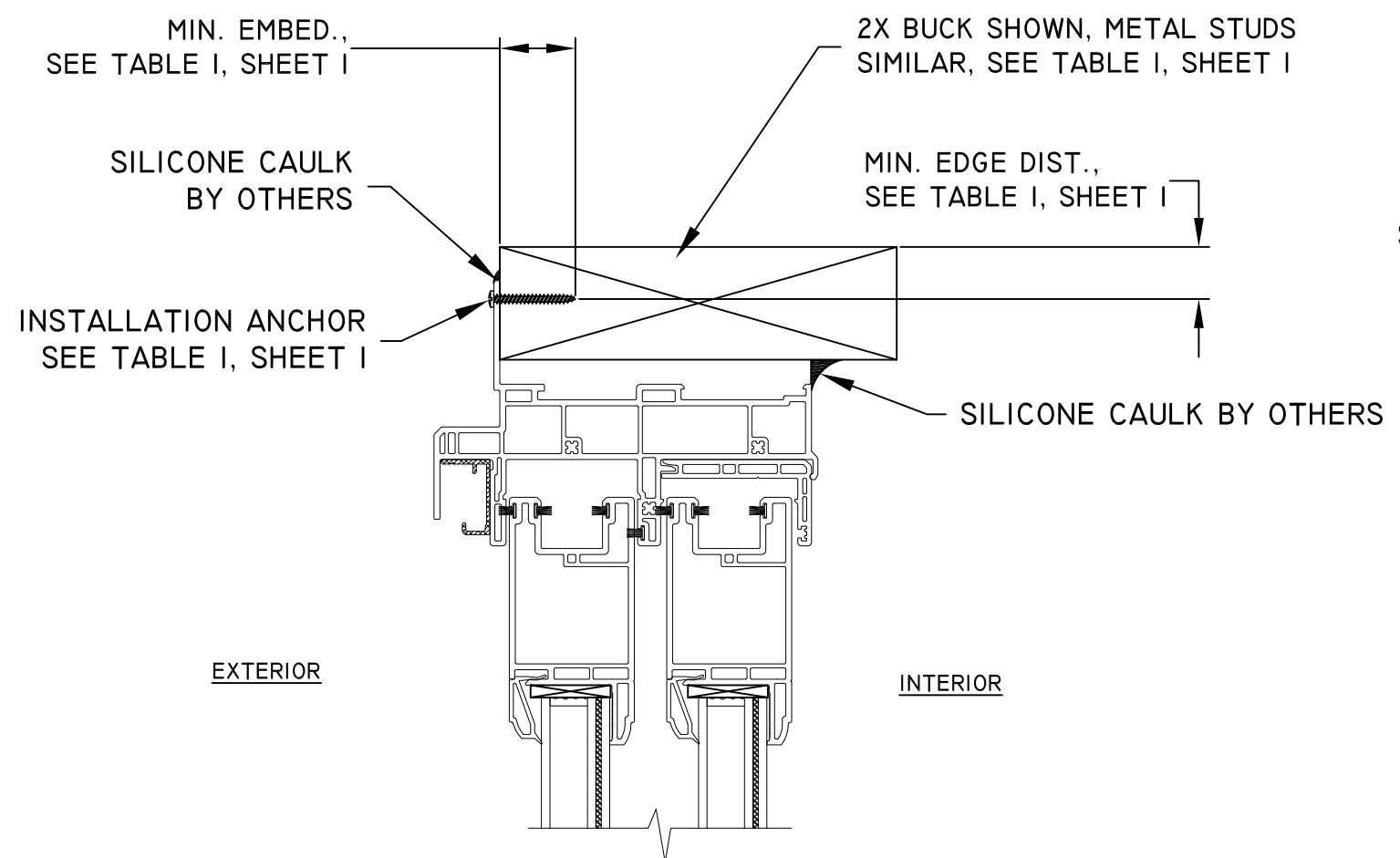
FL#: **39617**

DWG #: **IN0595**

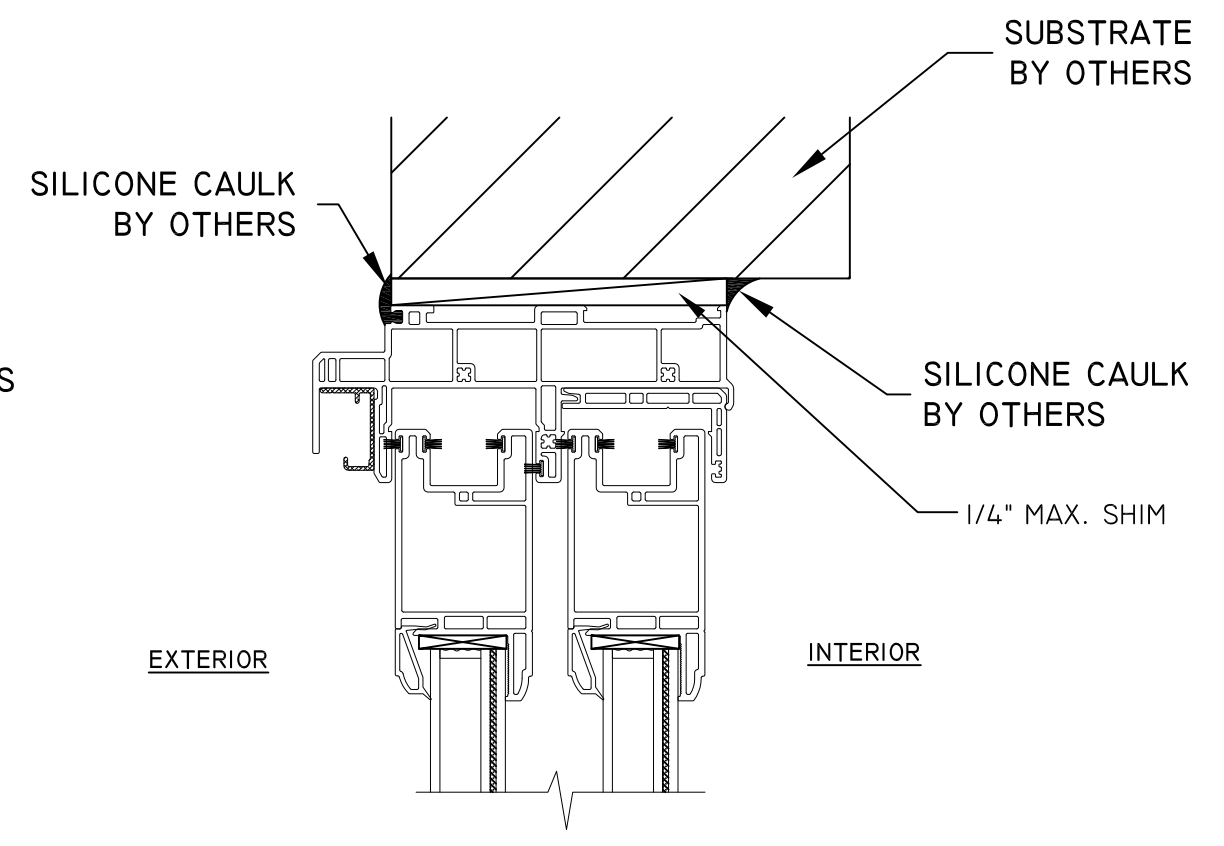
SHEET: **2 OF 5**



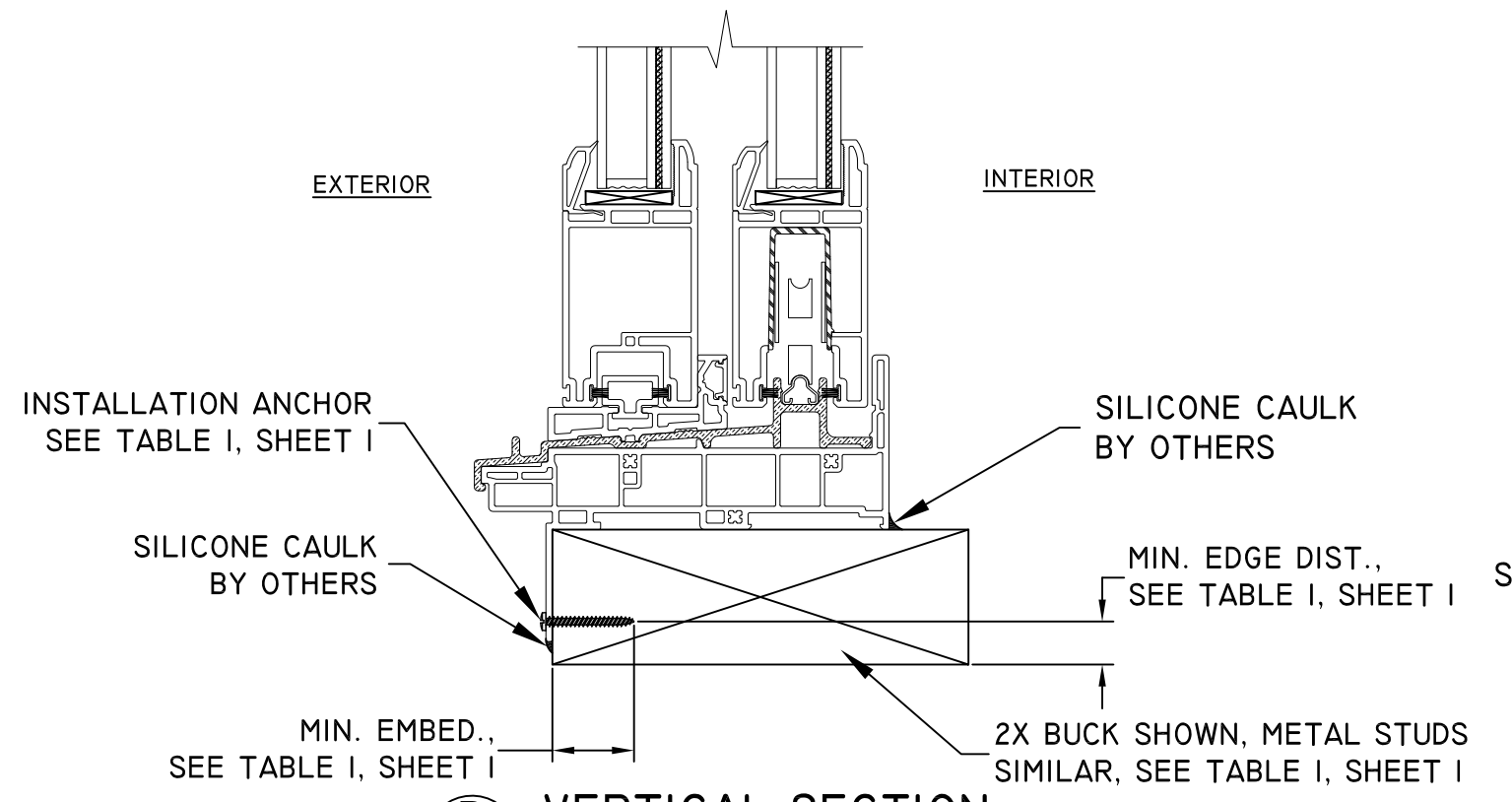
1 COCHRANE AVENUE
 PENNSBORO, WV 26415
 PH: 800-542-9118



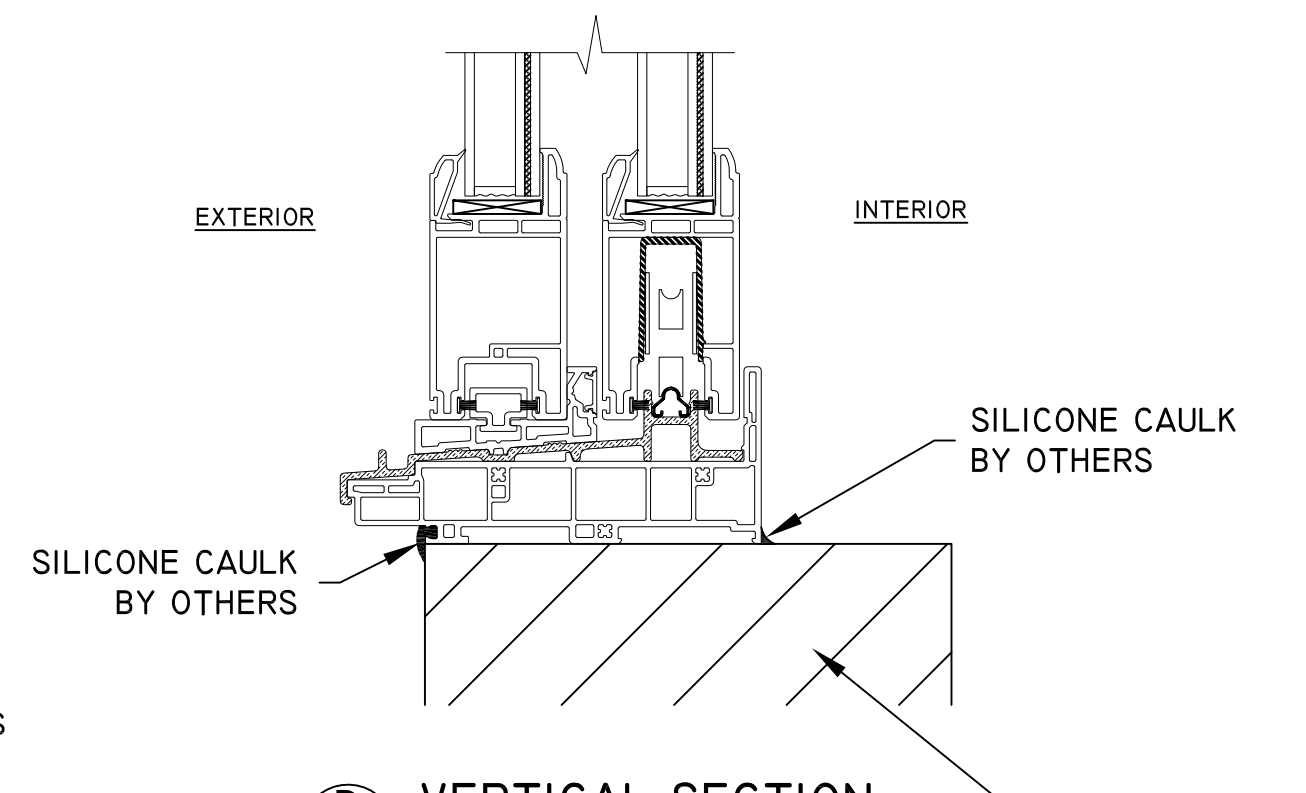
A
3
VERTICAL SECTION
 HEAD
 FIN INSTALLATION



C
3
VERTICAL SECTION
 HEAD
 FINLESS INSTALLATION



B
3
VERTICAL SECTION
 SILL
 FIN INSTALLATION

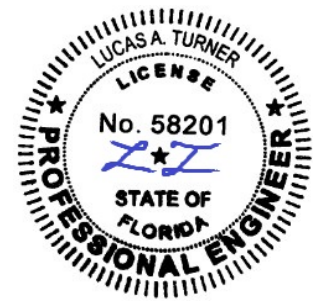


D
3
VERTICAL SECTION
 SILL
 FINLESS INSTALLATION

TITLE: 15-15/15-16 SLIDING PATIO DOOR W/SAFEPOINT VERTICAL SECTIONS

NO.	REVISION DESCRIPTION	BY	DATE

DATE: 08.12.21	DWN BY: LMH	CHK BY:	SCALE: NTS
-------------------	----------------	---------	---------------



8/26/2021
 LUCAS A. TURNER, P.E.
 FL PE # 58201
 TURNER ENGINEERING &
 CONSULTING, INC.
 (COA # 29779)
 2428 OLD NATCHEZ TRACE
 TRAIL, CAMDEN, TN 38320
 PH. 941-380-1574

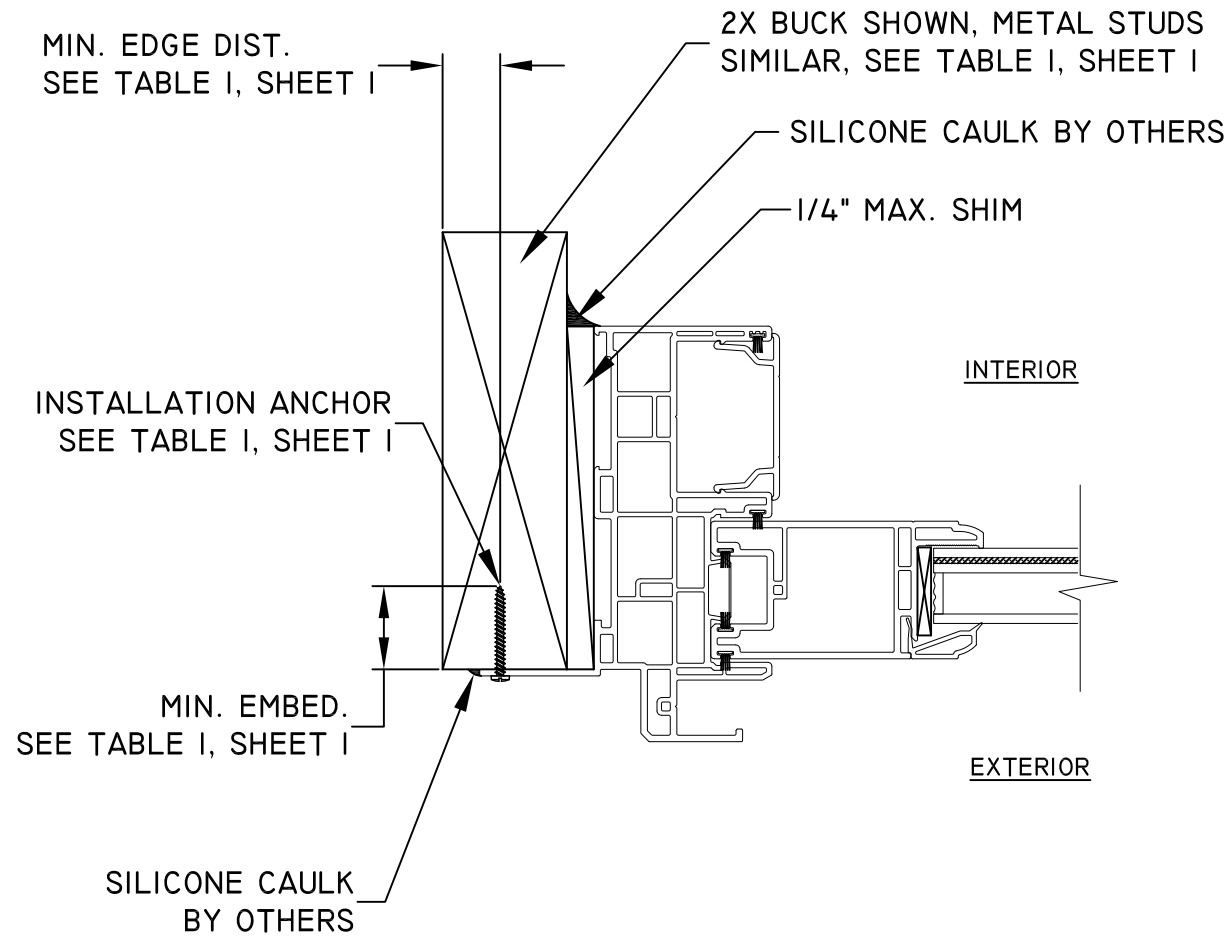
FL#: **39617**

DWG #: **IN0595**

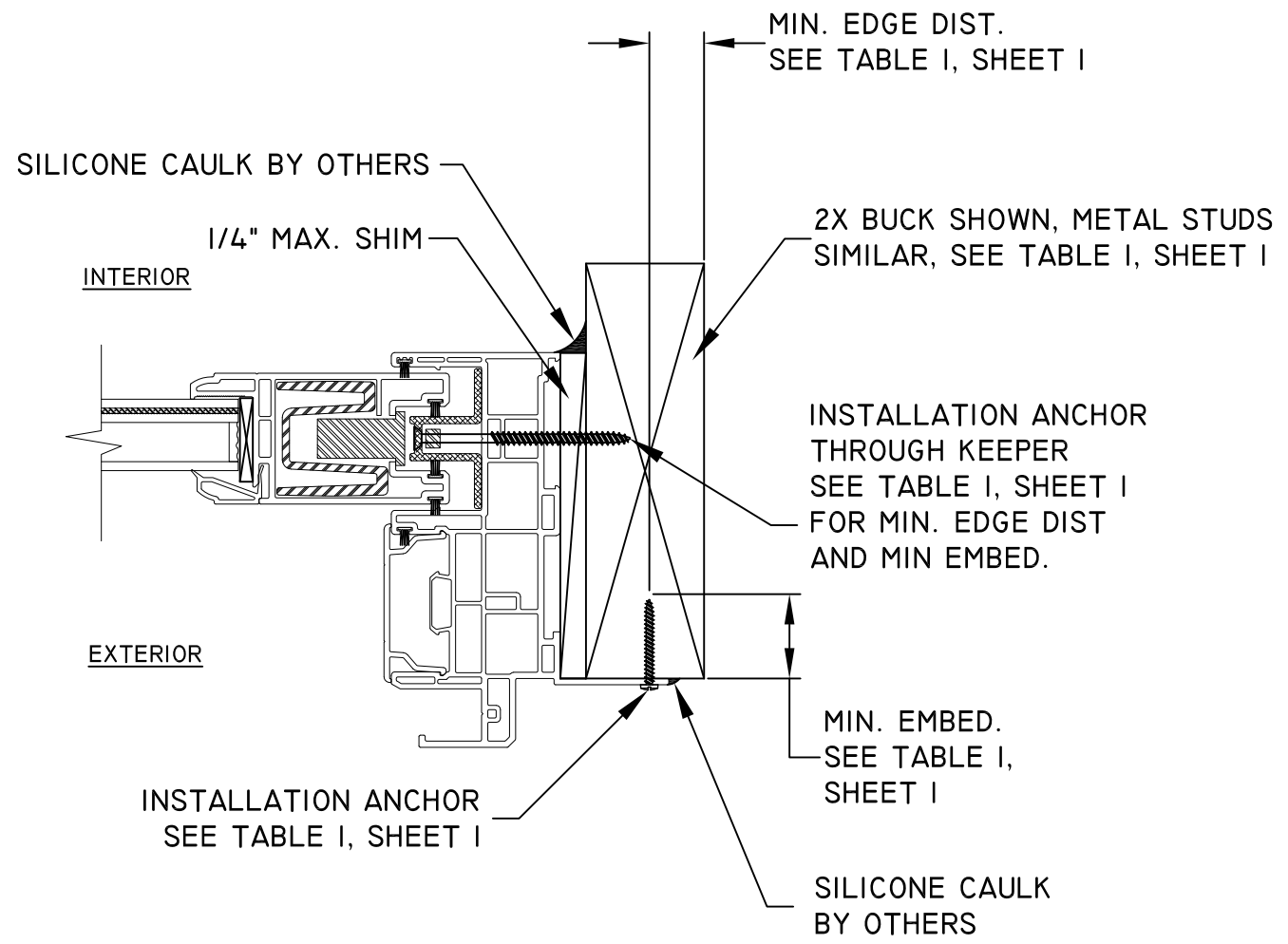
SHEET: **3 OF 5**



1 COCHRANE AVENUE
 PENNSBORO, WV 26415
 PH: 800-542-9118



E
4
 HORIZONTAL SECTION
 JAMB
 FIN INSTALLATION



G
4
 HORIZONTAL SECTION
 JAMB
 FIN INSTALLATION

TITLE: 15-15/15-16 SLIDING PATIO DOOR W/SAFEPOINT HORIZONTAL SECTIONS	DATE			
	BY			
	REVISION DESCRIPTION			
	NO.			

DATE:	08.12.21
DWN BY:	LMH
CHK BY:	
SCALE:	NTS



8/26/2021
 LUCAS A. TURNER, P.E.
 FL PE # 58201
 TURNER ENGINEERING &
 CONSULTING, INC.
 (COA # 29779)
 2428 OLD NATCHEZ TRACE
 TRAIL, CAMDEN, TN 38320
 PH. 941-380-1574

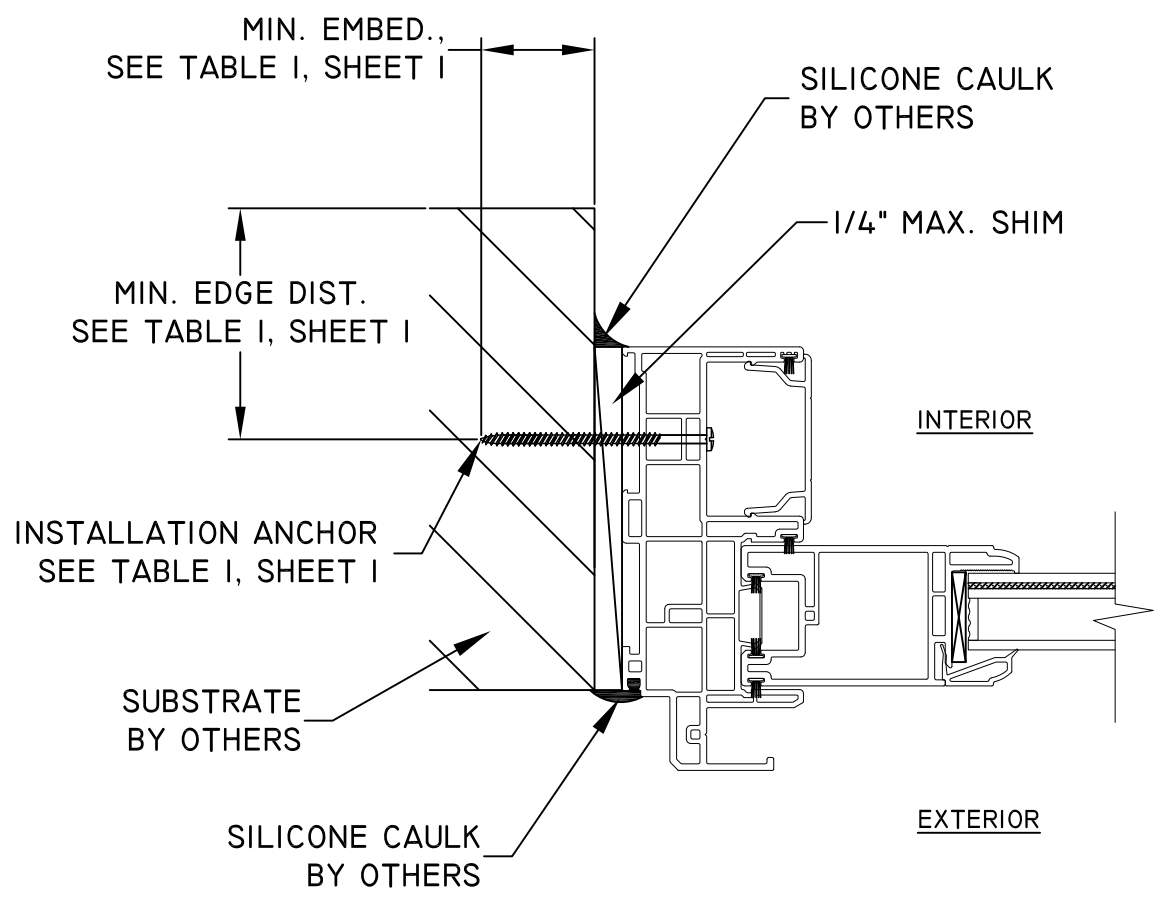
FL#: 39617

DWG #: IN0595

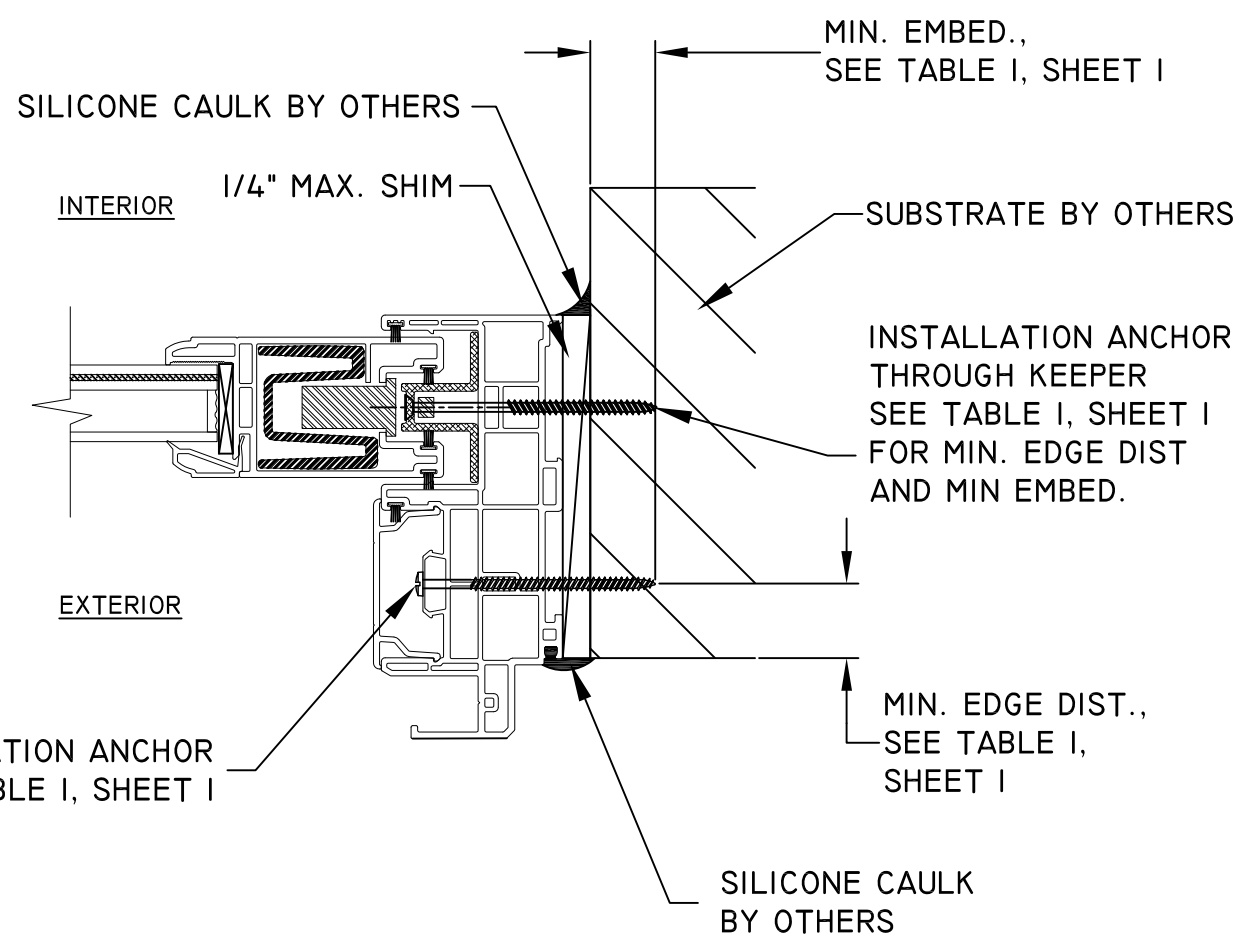
SHEET: 4 OF 5



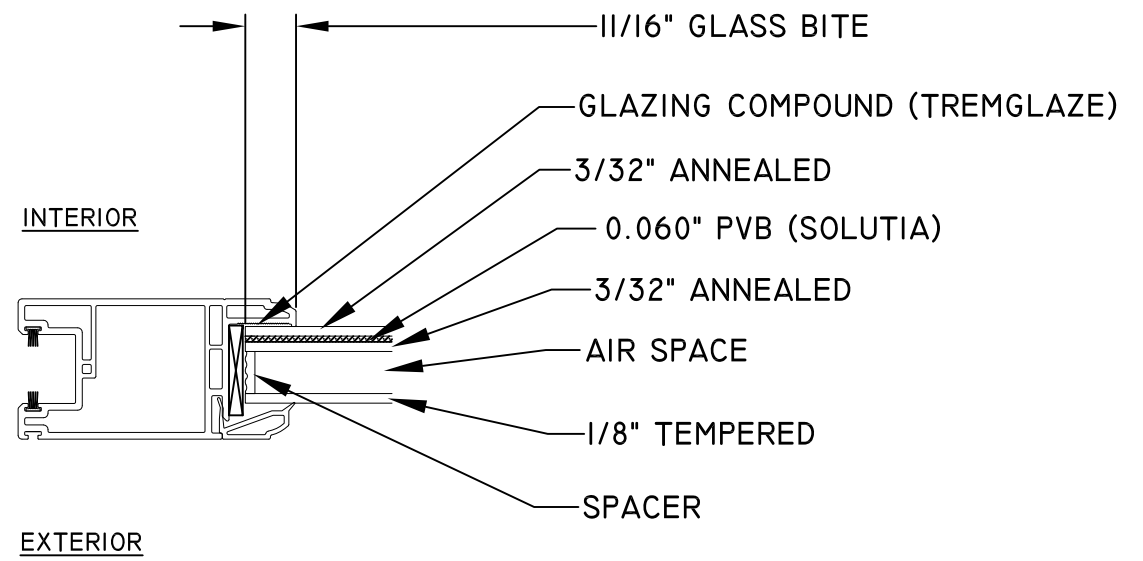
1 COCHRANE AVENUE
 PENNSBORO, WV 26415
 PH: 800-542-9118



F
5 HORIZONTAL SECTION
 JAMB
 FINLESS INSTALLATION



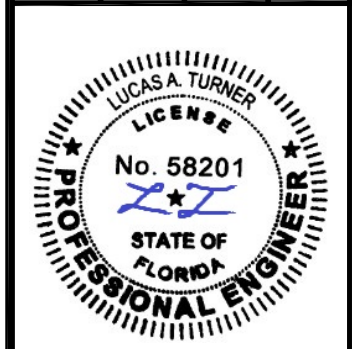
H
5 HORIZONTAL SECTION
 JAMB
 FINLESS INSTALLATION



1" INSULATED TEMPERED IMPACT GLASS
WITH 0.060" PVB INTERLAYER

NO.	REVISION DESCRIPTION	BY	DATE

DATE:	DWN BY:	CHK BY:	SCALE:
08.12.21	LMH		NTS



8/26/2021
 LUCAS A. TURNER, P.E.
 FL PE # 58201
 TURNER ENGINEERING &
 CONSULTING, INC.
 (COA # 29779)
 2428 OLD NATCHEZ TRACE
 TRAIL, CAMDEN, TN 38320
 PH. 941-380-1574

FL#: **39617**

DWG #: **IN0595**

SHEET: **5 OF 5**