

# EUROCRAFT INDUSTRIES INC.

## SERIES 650 OUTSWING RESIDENTIAL DOOR (HVHZ)(IMPACT)



7905 NW 77TH AVE  
MEDLEY, FL 33166  
PH: (305) 713-1871 FX: (305) 713-1872

**GENERAL NOTES:**

1. THE PRODUCT SHOWN HEREIN IS DESIGNED AND MANUFACTURED TO COMPLY WITH THE CURRENT EDITION FLORIDA BUILDING CODE (FBC) INCLUDING HVHZ. ALL PRODUCTS UNDER THE SCOPE OF THIS DOCUMENT HAVE BEEN EVALUATED ACCORDING TO THE FOLLOWING:
  - ASTM E283-04
  - ASTM E331-00(09)
  - ASTM E1886-13a
  - ASTM E1996-14a
  - TAS 201-94
  - TAS 202-94
  - TAS 203-94
2. ADEQUACY OF THE EXISTING STRUCTURAL CONCRETE/MASONRY, 2X AND METAL STUD FRAMING AS A MAIN WIND FORCE RESISTING SYSTEM CAPABLE OF WITHSTANDING AND TRANSFERRING APPLIED PRODUCT LOADS TO THE FOUNDATION IS THE RESPONSIBILITY OF THE ENGINEER OR ARCHITECT OF RECORD FOR THE PROJECT OF INSTALLATION.
3. 1X AND 2X BUCKS (WHEN USED) SHALL BE DESIGNED AND ANCHORED TO PROPERLY TRANSFER ALL LOADS TO THE STRUCTURE. BUCK DESIGN AND INSTALLATION IS THE RESPONSIBILITY OF THE ENGINEER OR ARCHITECT OF RECORD FOR THE PROJECT OF INSTALLATION.
4. INSTALL INDIVIDUAL INSTALLATION ANCHORS WITHIN A TOLERANCE OF ±1/4 INCH OF THE DEPICTED LOCATION IN THE ANCHOR LAYOUT DETAIL (I.E., WITHOUT CONSIDERATION OF TOLERANCES). TOLERANCES ARE NOT CUMULATIVE FROM ONE INSTALLATION ANCHOR TO THE NEXT.
5. THE INSTALLATION DETAILS DESCRIBED HEREIN ARE GENERIC AND MAY NOT REFLECT ACTUAL CONDITIONS FOR A SPECIFIC SITE. IF SITE CONDITIONS CAUSE INSTALLATION TO DEVIATE FROM THE REQUIREMENTS DETAILED HEREIN, A LICENSED ENGINEER OR ARCHITECT SHALL PREPARE SITE SPECIFIC DOCUMENTS FOR USE WITH THIS DOCUMENT IN HVHZ AREAS.
6. APPROVED IMPACT PROTECTIVE SYSTEM **IS NOT REQUIRED** TO PROTECT THIS PRODUCT IN AREAS REQUIRING IMPACT RESISTANCE.
7. DOOR FRAME MATERIAL: ALUMINUM 6063-T5 & 6063-T6
8. GLASS MEETS THE REQUIREMENTS OF ASTM E1300 GLASS CHARTS. SEE SHEET 2 FOR GLAZING DETAILS.

TABLE OF CONTENTS	
SHEET	DESCRIPTION
1	GENERAL NOTES
2	GLAZING DETAILS
3	ELEVATIONS
4	ELEVATIONS (WITH TRANSOM)
5	ELEVATIONS
6	ELEVATIONS (WITH TRANSOM)
7	VERTICAL SECTIONS
8	HORIZONTAL SECTIONS
9	HORIZONTAL SECTIONS
10	HORIZONTAL SECTIONS
11	HARDWARE OPTIONS & PANEL STYLES
12	MULLION LOAD JAMB CAPACITY
13	INSTALLATION NOTES AND ANCHOR DETAILS
14	BILL OF MATERIALS
15	COMPONENTS

DESIGN PRESSURE RATING		
GLAZING TYPE	MAX DESIGN PRESSURE	MISSILE RATING
G-1, G-2, G-3, G-4, G-5 & P-1	+/- 100 PSF	LARGE & SMALL IMPACT

TITLE: SERIES 650 OUTSWING RESIDENTIAL DOOR (HVHZ)(IMPACT)

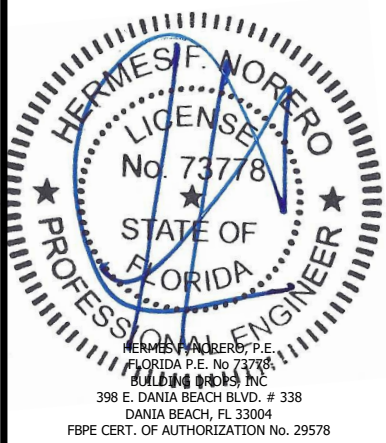
GENERAL NOTES

PREPARED BY:

**BUILDING DROPS, INC.**  
 398 E. DANIA BEACH BLVD., STE. 338  
 DANIA BEACH, FL 33004  
 PH: (954)399-8478  
 FAX: (954)744-4738  
 WEB: www.buildingdrops.com

REMARKS	BY	DATE
HARDWARE UPDATE	SH	6.6.22

THE INSTALLATION DETAILS DESCRIBED HEREIN ARE GENERIC AND MAY NOT REFLECT ACTUAL CONDITIONS FOR A SPECIFIC SITE. IF SITE CONDITIONS CAUSE INSTALLATION TO DEVIATE FROM THE REQUIREMENTS DETAILED HEREIN, A LICENSED ENGINEER OR ARCHITECT SHALL PREPARE SITE SPECIFIC DOCUMENTS FOR USE WITH THIS DOCUMENT.



FL #:

## FL39881

DATE: **10.11.21**

DWG. BY: <b>ER</b>	CHK. BY: <b>HFN</b>
-----------------------	------------------------

SCALE: **NTS**

DWG. #: **ECI032**

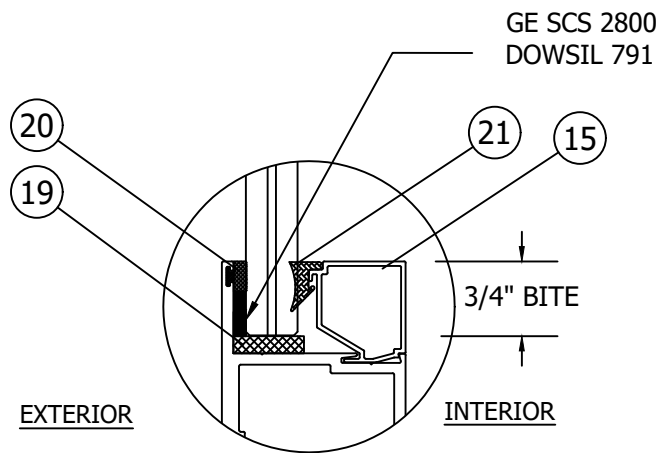
SHEET:

# 1

OF 15

6/9/2022 10:16 AM  
s:\projects\eurocraft industries inc\fbcc-22-0440.1 - fbc submittal - r139881 - series 650 residential door revision\dwg\ecr032 - 2022-06-06.dwg

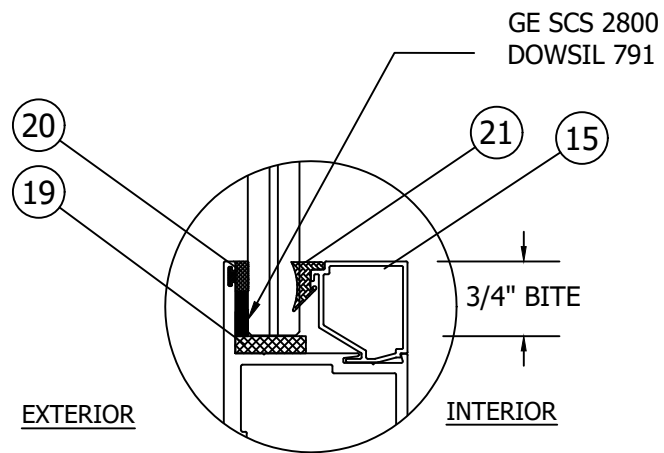
MAX. PANEL SIZE: 46.00" X 117.76"



**GLAZING DETAIL 1**

**GLASS TYPE 1:**

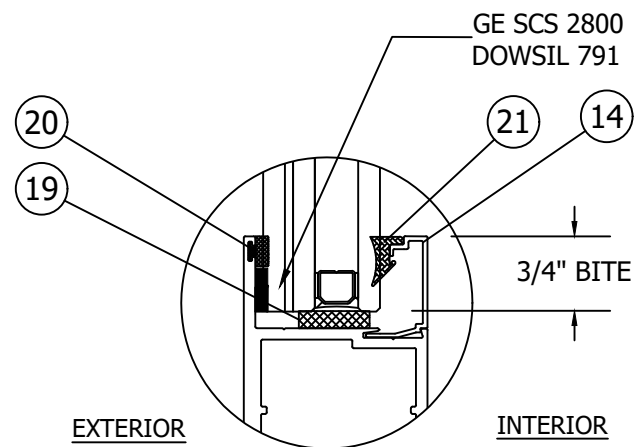
9/16" LAMINATED GLASS:  
 1/4" HEAT STRENGTHENED GLASS  
 0.090" TROFISOL PVB INTERLAYER BY KURARAY AMERICA  
 1/4" HEAT STRENGTHENED GLASS



**GLAZING DETAIL 2**

**GLASS TYPE 2:**

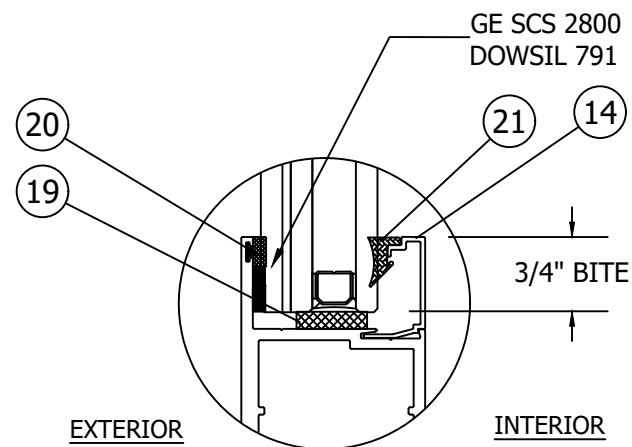
9/16" LAMINATED GLASS:  
 1/4" HEAT STRENGTHENED GLASS  
 0.090" SG INTERLAYER BY KURARAY AMERICA  
 1/4" HEAT STRENGTHENED GLASS



**GLAZING DETAIL 3**

**GLASS TYPE 3:**

1 3/16" INSULATED LAMINATED GLASS:  
 3/16" HEAT STRENGTHENED GLASS  
 0.090" TROFISOL PVB INTERLAYER BY KURARAY AMERICA  
 3/16" HEAT STRENGTHENED GLASS  
 1/2" THERMO-PLASTIC SPACER  
 1/4" TEMPERED GLASS

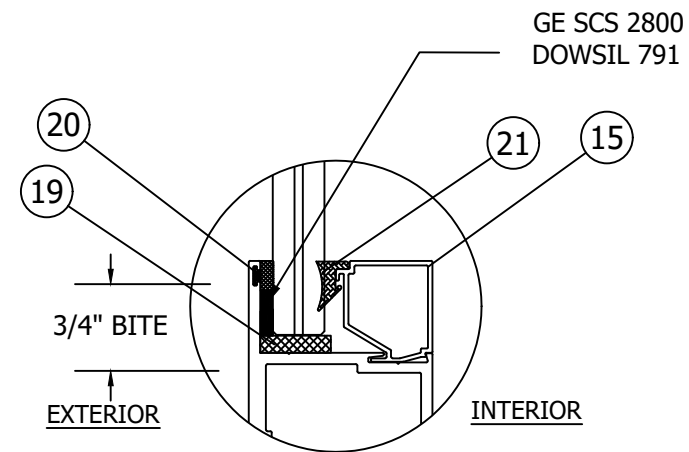


**GLAZING DETAIL 4**

**GLASS TYPE 4:**

1 3/16" INSULATED LAMINATED GLASS:  
 3/16" HEAT STRENGTHENED GLASS  
 0.090" SG INTERLAYER BY KURARAY AMERICA  
 3/16" HEAT STRENGTHENED GLASS  
 1/2" THERMO-PLASTIC SPACER  
 1/4" TEMPERED GLASS

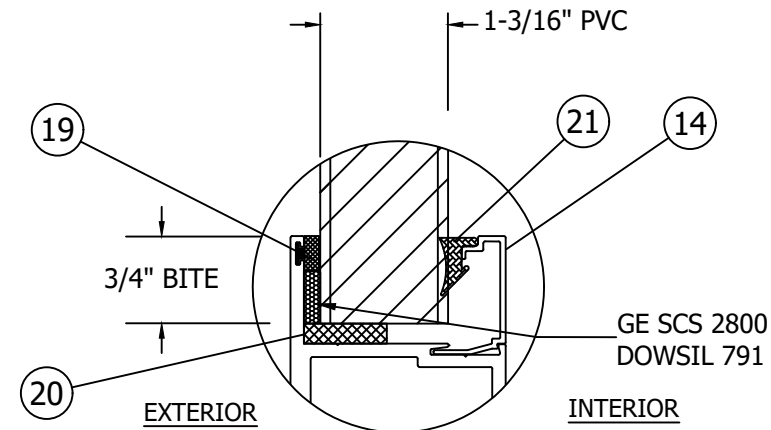
MAX. PANEL SIZE: 40.07" X 105.76"



**GLAZING DETAIL 5**

**GLASS TYPE 5:**

7/16" LAMINATED GLASS:  
 3/16" HEAT STRENGTHENED GLASS  
 0.090 TROSIFOL PVB INTERLAYER BY KURARAY AMERICA  
 3/16" HEAT STRENGTHENED GLASS



**PANEL DETAIL 1**

**PANEL DETAIL 1:**

1 3/16" PVC PANEL

SEE SHEET 11 FOR ALLOWABLE PANEL STYLES WITH OPAQUE GLASS

**GLAZING NOTES:**

- GLASS TYPE SHALL COMPLY WITH ASTM E1300 REQUIREMENTS.
- SETTING BLOCKS TO BE LOCATED AT 1/4 SPAN LENGTH FOR GLASS WIDER THAN 36" AS PER FBC CHAPTER 24.
- SETTING BLOCK DUROMETER HARDNESS OF 70-90 (SHORE A) AS REFERENCED IN FBC CHAPTER 24.
- GLASS TYPE SHALL COMPLY WITH APPLICABLE GLAZING REQUIREMENTS PER CHAPTER 24 OF THE FBC



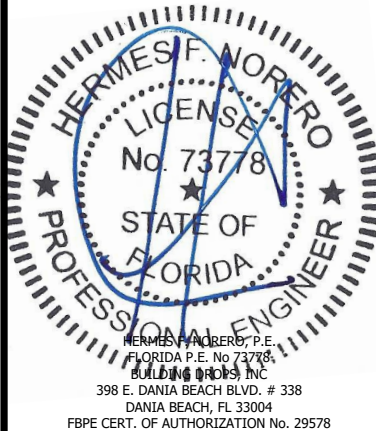
7905 NW 77TH AVE  
 MEDLEY, FL 33166  
 PH: (305) 713-1871FX: (305) 713-1872

TITLE: SERIES 650 OUTSWING  
 RESIDENTIAL DOOR  
 (HVHZ)(IMPACT)  
 GLAZING DETAILS

PREPARED BY:  
**BUILDING DROPS, INC.**  
 398 E. DANIA BEACH BLVD., STE. 338  
 DANIA BEACH, FL 33004  
 PH: (954)399-8478  
 FAX: (954)744-4738  
 WEB: www.buildingdrops.com

REMARKS	BY	DATE
HARDWARE UPDATE	SH	6.6.22

THE INSTALLATION DETAILS DESCRIBED HEREIN ARE GENERIC AND MAY NOT REFLECT ACTUAL CONDITIONS FOR A SPECIFIC SITE. IF SITE CONDITIONS CAUSE INSTALLATION TO DEVIATE FROM THE REQUIREMENTS DETAILED HEREIN, A LICENSED ENGINEER OR ARCHITECT SHALL PREPARE SITE SPECIFIC DOCUMENTS FOR USE WITH THIS DOCUMENT.



HERMES F. NORERO, P.E.  
 FLORIDA P.E. No. 73778  
 BUILDING DROPS, INC.  
 398 E. DANIA BEACH BLVD. # 338  
 DANIA BEACH, FL 33004  
 FBPE CERT. OF AUTHORIZATION No. 29578

FL #:  
**FL39881**

DATE: **10.11.21**

DWG. BY: **ER**      CHK. BY: **HFN**

SCALE: **NTS**

DWG. #: **ECI032**

SHEET:

**2**

OF 15



7905 NW 77TH AVE  
 MEDLEY, FL 33166  
 PH: (305) 713-1871FX: (305) 713-1872

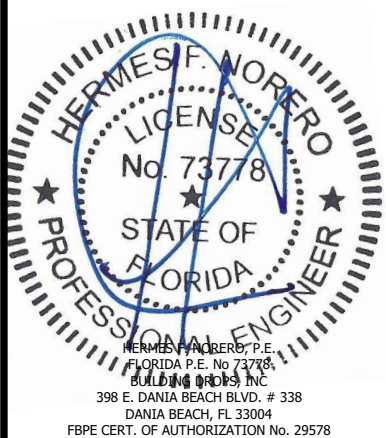
PREPARED BY:  
**BUILDING DROPS, INC.**  
 398 E. DANIA BEACH BLVD., STE. 338  
 DANIA BEACH, FL 33004  
 PH: (954)399-8478  
 FAX: (954)744-4738  
 WEB: www.buildingdrops.com



TITLE: SERIES 650 OUTSWING  
 RESIDENTIAL DOOR  
 (HVHZ)(IMPACT)  
 ELEVATIONS

REMARKS	BY	DATE
HARDWARE UPDATE	SH	6.6.22

THE INSTALLATION DETAILS DESCRIBED HEREIN ARE GENERIC AND MAY NOT REFLECT ACTUAL CONDITIONS FOR A SPECIFIC SITE. IF SITE CONDITIONS CAUSE INSTALLATION TO DEVIATE FROM THE REQUIREMENTS DETAILED HEREIN, A LICENSED ENGINEER OR ARCHITECT SHALL PREPARE SITE SPECIFIC DOCUMENTS FOR USE WITH THIS DOCUMENT.



FL #:

**FL39881**

DATE: **10.11.21**

DWG. BY: **ER**      CHK. BY: **HFN**

SCALE: **NTS**

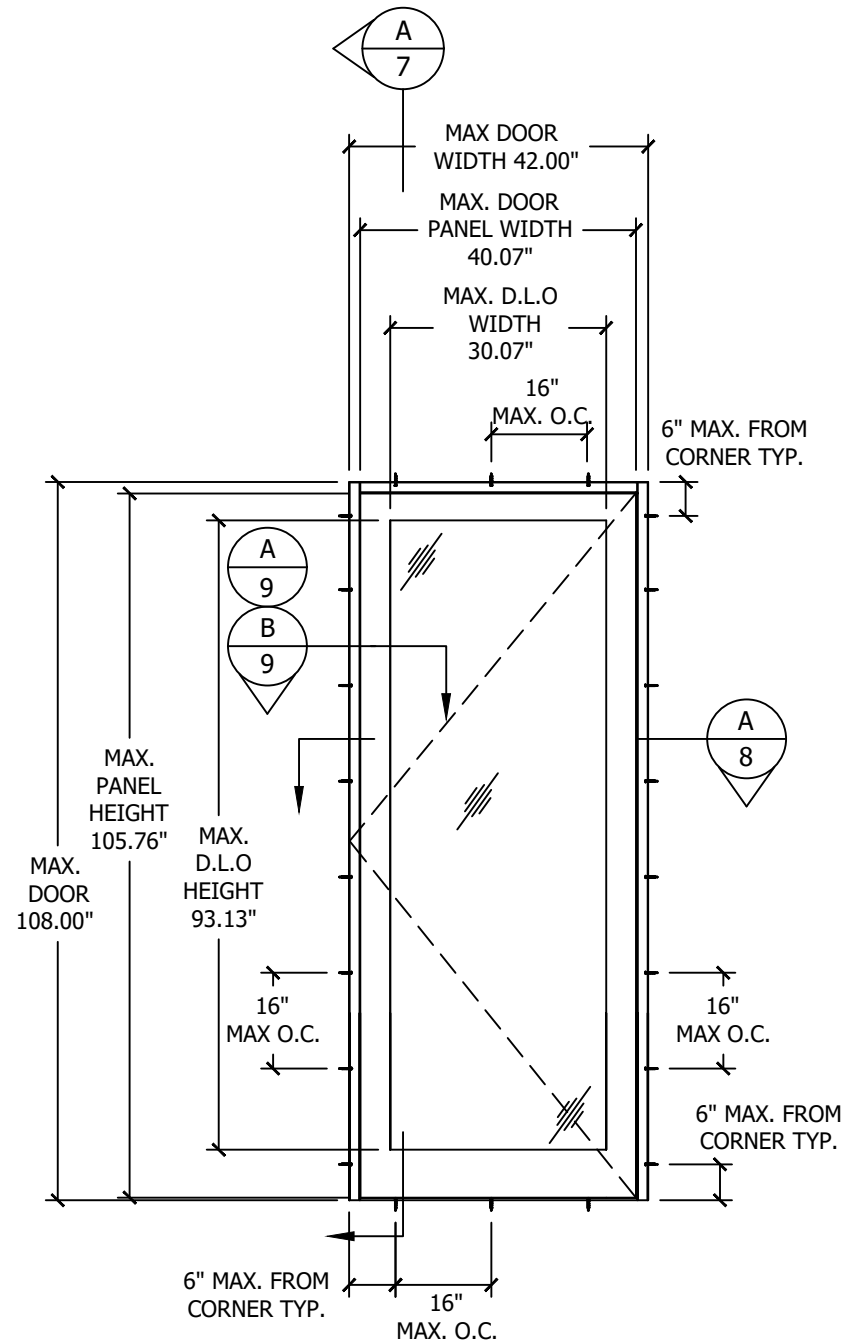
DWG. #: **ECI032**

SHEET:

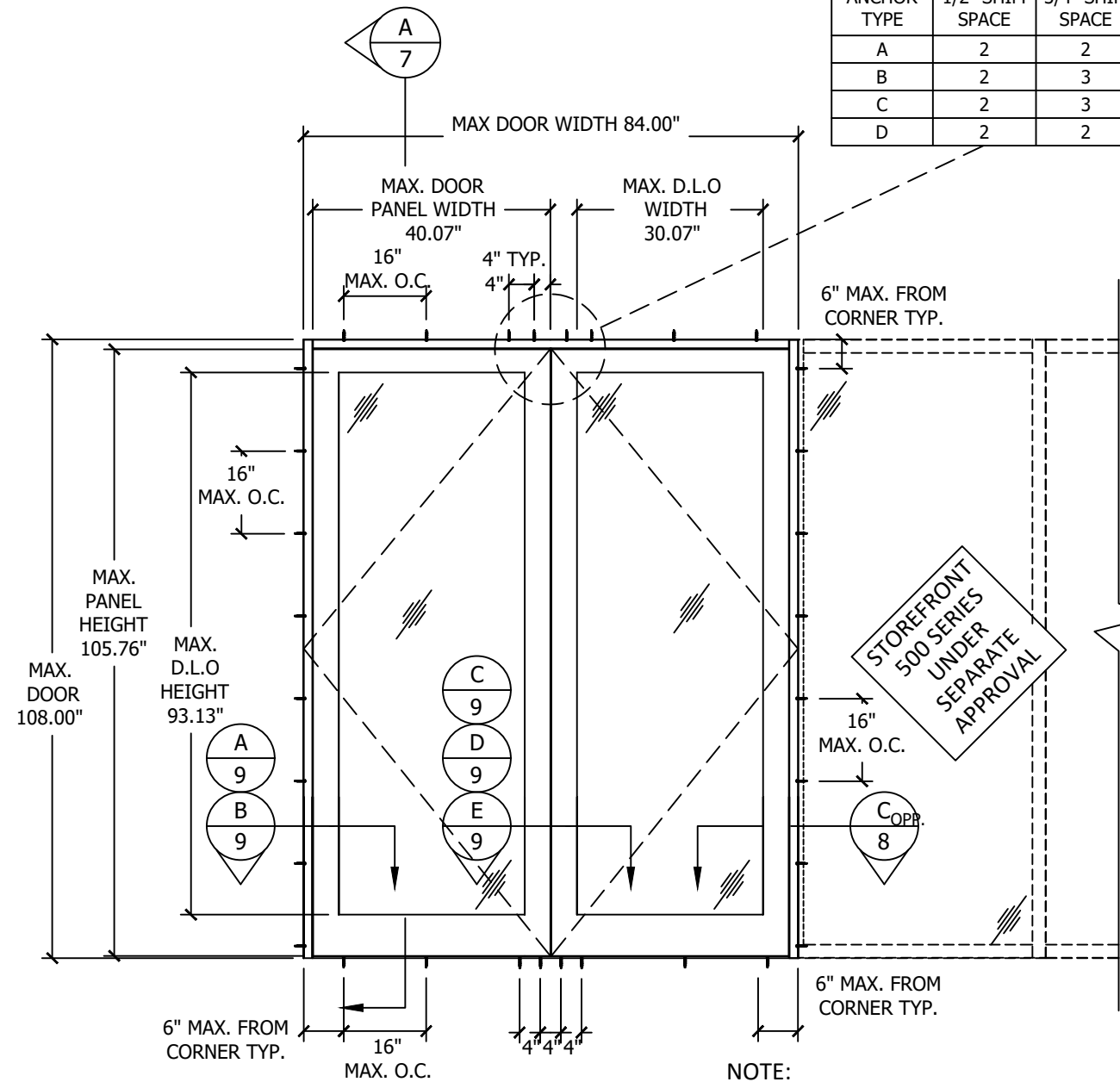
**3**

OF 15

NO. OF ADDITIONAL ANCHORS AT ASTRAGAL ENDS		
ANCHOR TYPE	1/2" SHIM SPACE	3/4" SHIM SPACE
A	2	2
B	2	3
C	2	3
D	2	2



**ELEVATION**



**ELEVATION**

NOTE:  
 STOREFRONT 500 SERIES APPLICABLE FOR BOTH SINGLE & DOUBLE DOORS

GLAZING OPTIONS	DESIGN PRESSURE RATING	MISSILE RATING
G-1, G-2, G-3, G-4, G-5 & P-1	+/- 100 PSF	LARGE & SMALL IMPACT
WITHOUT ASTRAGAL REINFORCEMENT ITEM #16		

**ABBREVIATIONS:**

D.L.O.	DAYLITE OPENING.
F.H.	FRAME HEIGHT.
F.W.	FRAME WIDTH.
D.O.	DOOR OPENING
W/	WITH
W/O	WITHOUT
O.C.	ON CENTER

s:\projects\eurocraft\_industries inc\bc-22-0440.1 - fbc submittal - r139881-series 650 residential door revision\dwg\ecr032 - 2022-06-06.dwg  
 6/9/2022 10:16 AM





7905 NW 77TH AVE  
MEDLEY, FL 33166  
PH: (305) 713-1871FX: (305) 713-1872

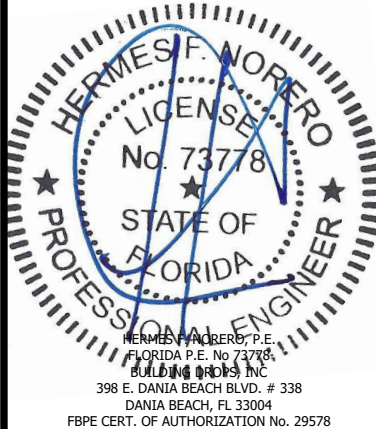
PREPARED BY:  
**BUILDING DROPS, INC.**  
398 E. DANIA BEACH BLVD., STE. 338  
DANIA BEACH, FL 33004  
PH: (954)399-8478  
FAX: (954)744-4738  
WEB: www.buildingdrops.com



TITLE: SERIES 650 OUTSWING  
RESIDENTIAL DOOR  
(HVHZ)(IMPACT)  
ELEVATIONS (WITH TRANSOM)

REMARKS	BY	DATE
HARDWARE UPDATE	SH	6.6.22

THE INSTALLATION DETAILS DESCRIBED HEREIN ARE GENERIC AND MAY NOT REFLECT ACTUAL CONDITIONS FOR A SPECIFIC SITE. IF SITE CONDITIONS CAUSE INSTALLATION TO DEVIATE FROM THE REQUIREMENTS DETAILED HEREIN, A LICENSED ENGINEER OR ARCHITECT SHALL PREPARE SITE SPECIFIC DOCUMENTS FOR USE WITH THIS DOCUMENT.



HERMES F. NORERO, P.E.  
FLORIDA P.E. No. 73778  
BUILDING DROPS, INC.  
398 E. DANIA BEACH BLVD. # 338  
DANIA BEACH, FL 33004  
FBPE CERT. OF AUTHORIZATION No. 29578

FL #: **FL39881**

DATE: **10.11.21**

DWG. BY: **ER** | CHK. BY: **HFN**

SCALE: **NTS**

DWG. #: **ECI032**

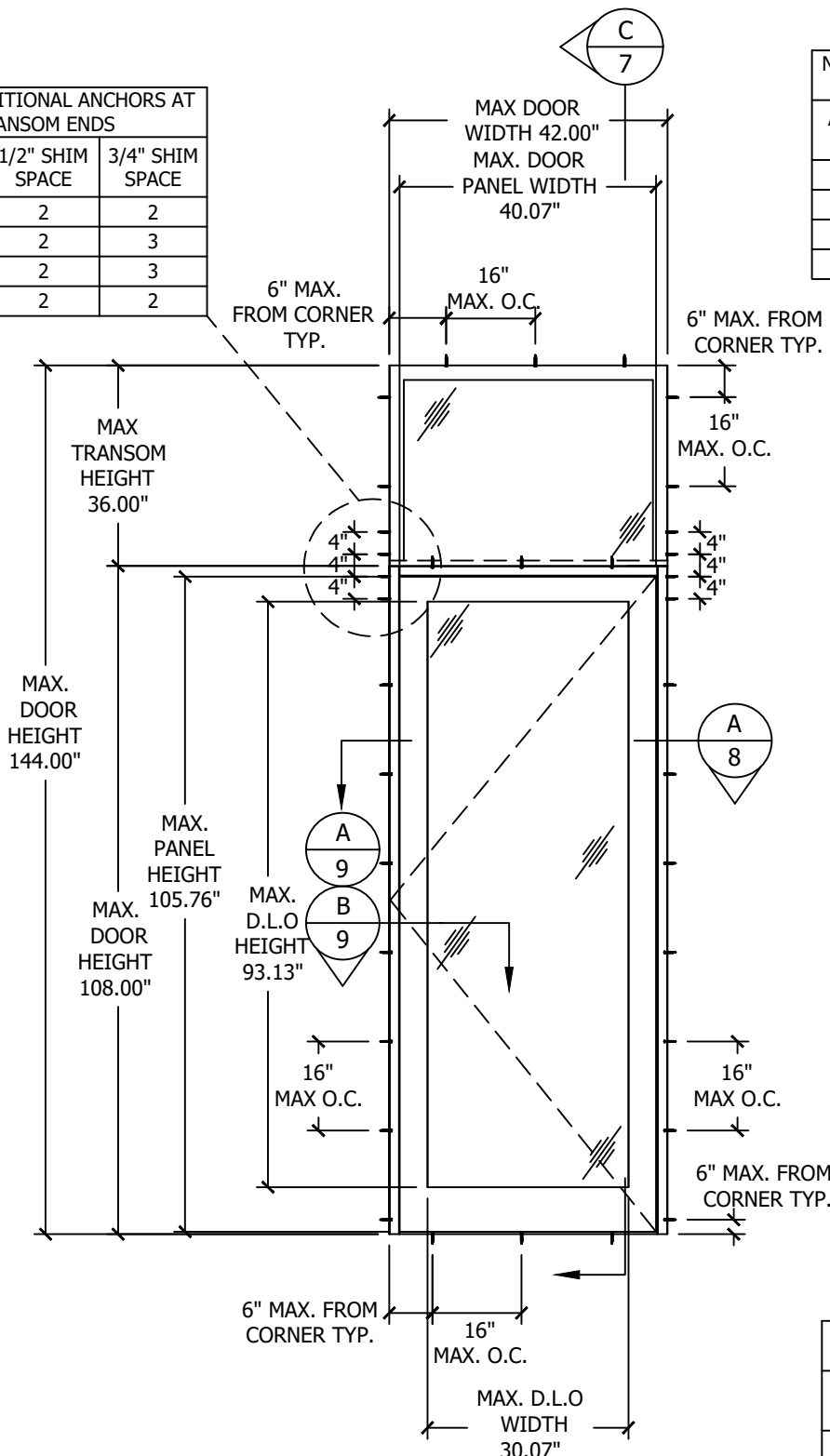
SHEET: **4**

NO. OF ADDITIONAL ANCHORS AT TRANSOM ENDS		
ANCHOR TYPE	1/2" SHIM SPACE	3/4" SHIM SPACE
A	2	2
B	2	3
C	2	3
D	2	2

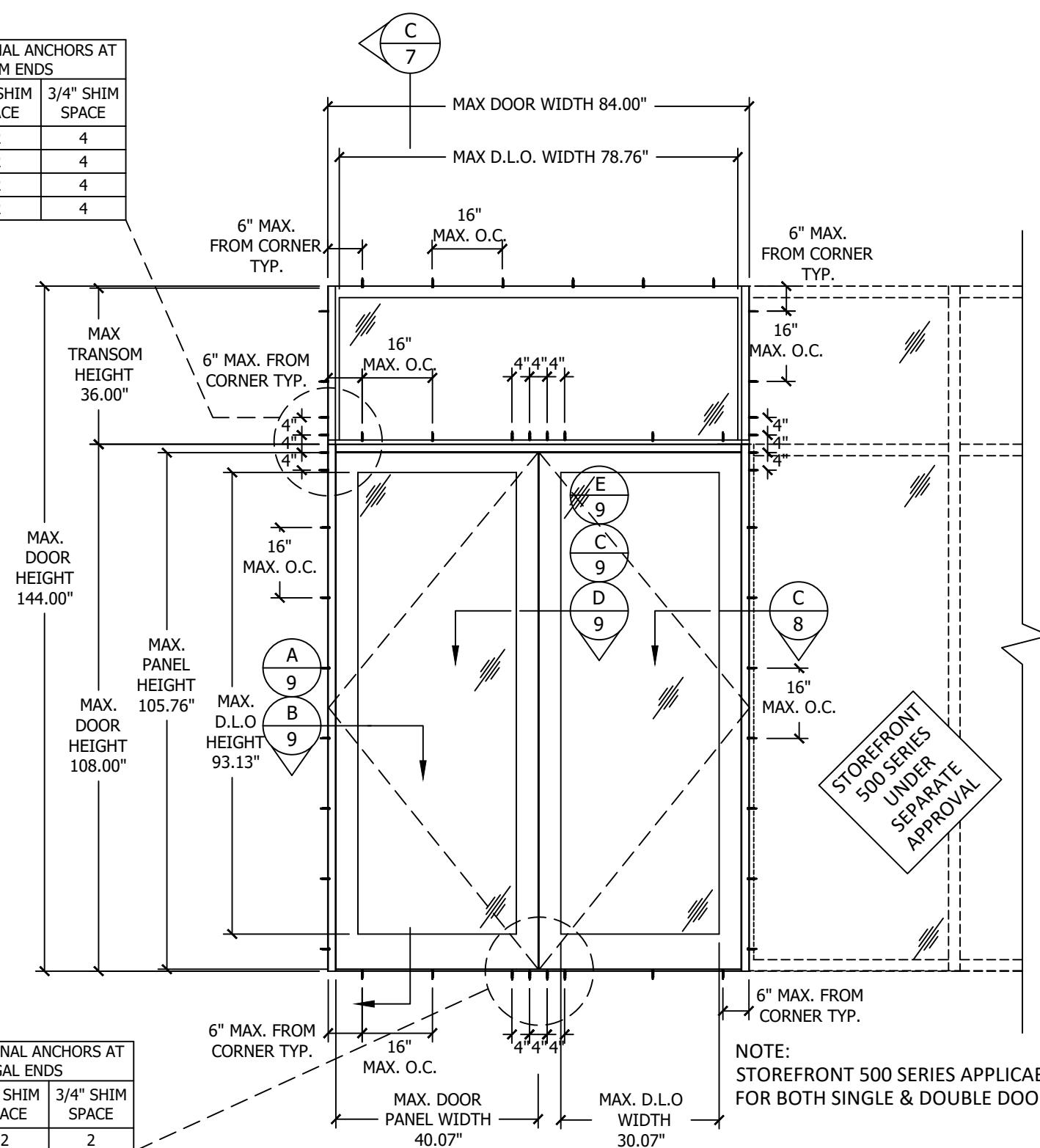
NO. OF ADDITIONAL ANCHORS AT TRANSOM ENDS		
ANCHOR TYPE	1/2" SHIM SPACE	3/4" SHIM SPACE
A	2	4
B	2	4
C	2	4
D	2	4

NO. OF ADDITIONAL ANCHORS AT ASTRAGAL ENDS		
ANCHOR TYPE	1/2" SHIM SPACE	3/4" SHIM SPACE
A	2	2
B	2	3
C	2	3
D	2	2

GLAZING OPTIONS	DESIGN PRESSURE RATING	MISSILE RATING
G1 - G4	TRANSOM	+/- 100 PSF LARGE & SMALL IMPACT
G1 - G5, P1	DOORS	
WITHOUT ASTRAGAL REINFORCEMENT ITEM #16		



**ELEVATION**



**ELEVATION**

STOREFRONT 500 SERIES UNDER SEPARATE APPROVAL

NOTE: STOREFRONT 500 SERIES APPLICABLE FOR BOTH SINGLE & DOUBLE DOORS

**ABBREVIATIONS:**

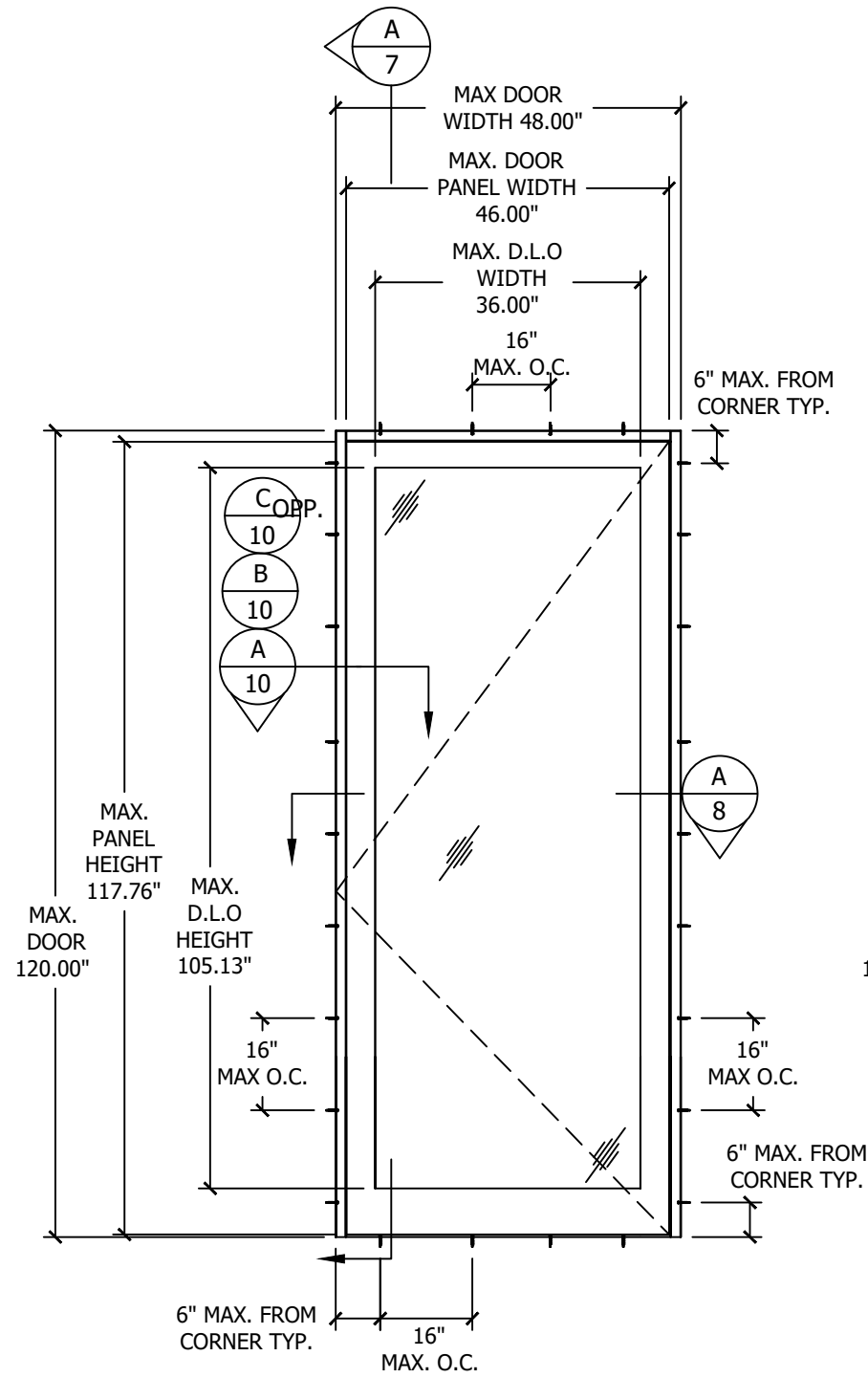
D.L.O.	DAYLITE OPENING.
F.H.	FRAME HEIGHT.
F.W.	FRAME WIDTH.
D.O.	DOOR OPENING
W/	WITH
W/O	WITHOUT
O.C.	ON CENTER

s:\projects\eurowcraft\industries inc\fbcc-22-0440.1 - fbc submittal - r139881-series 650 residential door revision\dwg\ecr032 - 2022-06-06.dwg

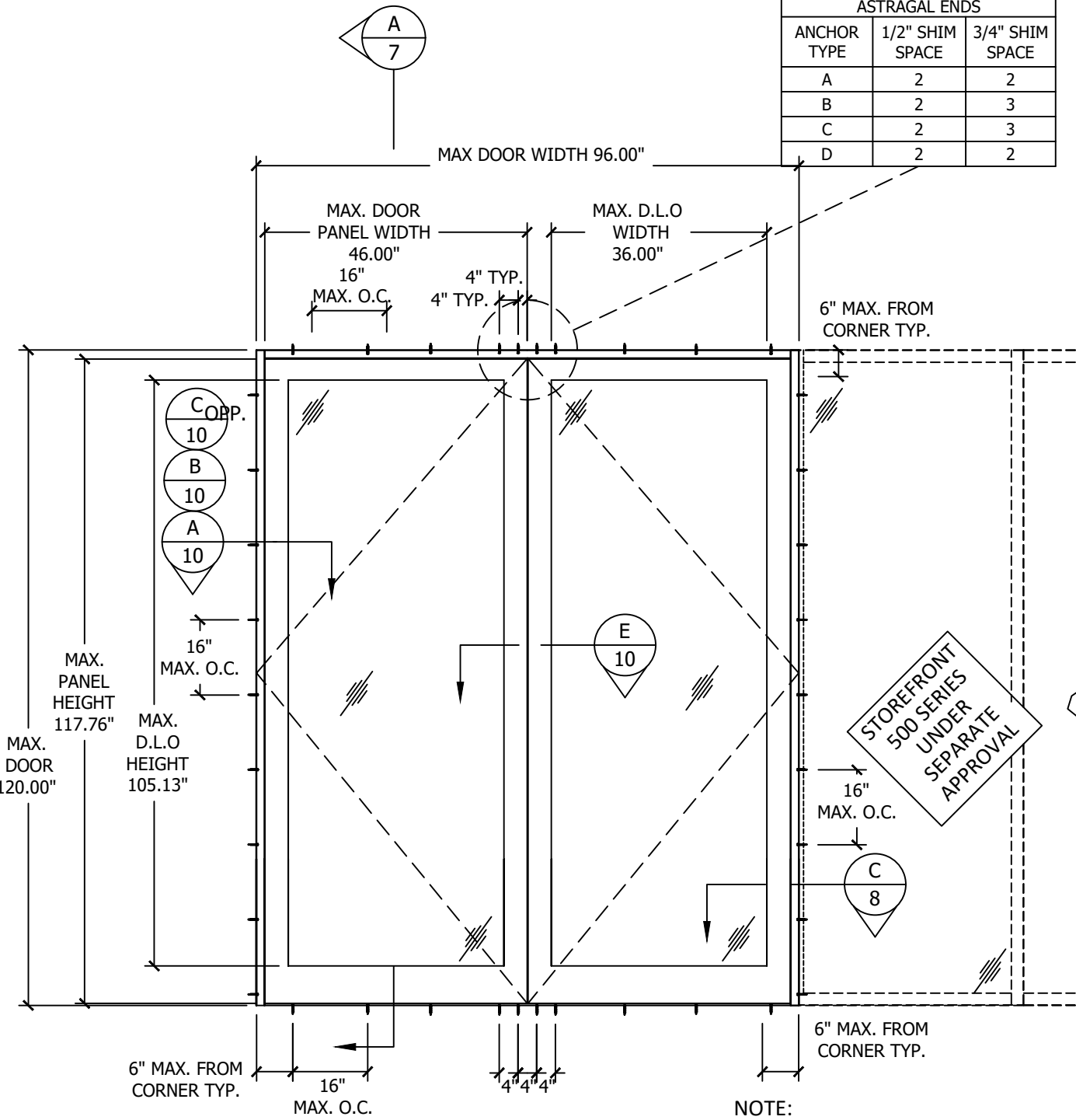


7905 NW 77TH AVE  
MEDLEY, FL 33166  
PH: (305) 713-1871FX: (305) 713-1872

NO. OF ADDITIONAL ANCHORS AT ASTRAGAL ENDS		
ANCHOR TYPE	1/2" SHIM SPACE	3/4" SHIM SPACE
A	2	2
B	2	3
C	2	3
D	2	2



**ELEVATION**



**ELEVATION**

STOREFRONT 500 SERIES UNDER SEPARATE APPROVAL

NOTE:  
STOREFRONT 500 SERIES APPLICABLE FOR BOTH SINGLE & DOUBLE DOORS

GLAZING OPTIONS	DESIGN PRESSURE RATING	MISSILE RATING
G-2 & G-4	+/- 100 PSF	LARGE & SMALL IMPACT
WITH ASTRAGAL REINFORCEMENT ITEM #16		

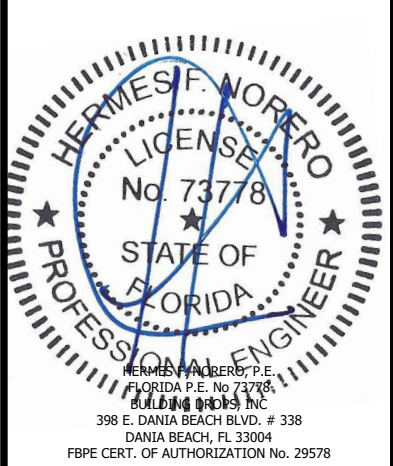
**ABBREVIATIONS:**

D.L.O.	DAYLITE OPENING.
F.H.	FRAME HEIGHT.
F.W.	FRAME WIDTH.
D.O.	DOOR OPENING
W/	WITH
W/O	WITHOUT
O.C.	ON CENTER

TITLE: SERIES 650 OUTSWING RESIDENTIAL DOOR (HVHZ)(IMPACT)  
ELEVATIONS (WITH TRANSOM)  
PREPARED BY: BUILDING DROPS, INC.  
398 E. DANIA BEACH BLVD., STE. 338  
DANIA BEACH, FL 33004  
PH: (954)399-8478  
FAX: (954)744-4738  
WEB: www.buildingdrops.com

REMARKS	BY	DATE
HARDWARE UPDATE	SH	6.6.22

THE INSTALLATION DETAILS DESCRIBED HEREIN ARE GENERIC AND MAY NOT REFLECT ACTUAL CONDITIONS FOR A SPECIFIC SITE. IF SITE CONDITIONS CAUSE INSTALLATION TO DEVIATE FROM THE REQUIREMENTS DETAILED HEREIN, A LICENSED ENGINEER OR ARCHITECT SHALL PREPARE SITE SPECIFIC DOCUMENTS FOR USE WITH THIS DOCUMENT.



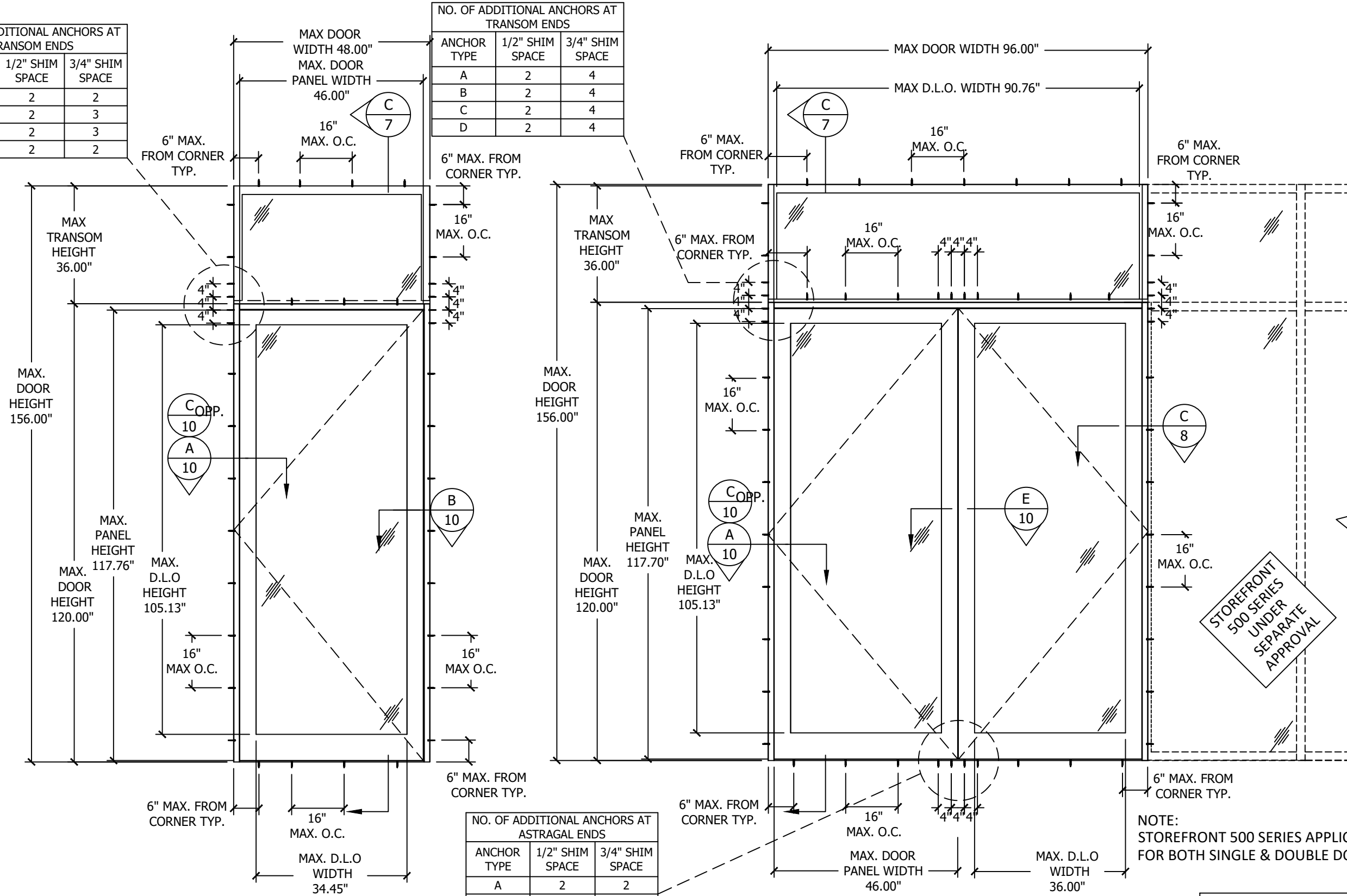
FL #:  
**FL39881**  
DATE: 10.11.21  
DWG. BY: ER  
CHK. BY: HFN  
SCALE: NTS  
DWG. #: ECI032  
SHEET:  
**5**  
OF 15

NO. OF ADDITIONAL ANCHORS AT TRANSOM ENDS		
ANCHOR TYPE	1/2" SHIM SPACE	3/4" SHIM SPACE
A	2	2
B	2	3
C	2	3
D	2	2

NO. OF ADDITIONAL ANCHORS AT TRANSOM ENDS		
ANCHOR TYPE	1/2" SHIM SPACE	3/4" SHIM SPACE
A	2	4
B	2	4
C	2	4
D	2	4

NO. OF ADDITIONAL ANCHORS AT ASTRAGAL ENDS		
ANCHOR TYPE	1/2" SHIM SPACE	3/4" SHIM SPACE
A	2	2
B	2	3
C	2	3
D	2	2

GLAZING OPTIONS	DESIGN PRESSURE RATING	MISSILE RATING
G1 - G4	TRANSOM	+/- 100 PSF LARGE & SMALL IMPACT
G2 & G4	DOORS	
WITH ASTRAGAL REINFORCEMENT ITEM #16		



**ELEVATION**

**ELEVATION**

STOREFRONT 500 SERIES UNDER SEPARATE APPROVAL

NOTE: STOREFRONT 500 SERIES APPLICABLE FOR BOTH SINGLE & DOUBLE DOORS

**ABBREVIATIONS:**  
 D.L.O. DAYLITE OPENING.  
 F.H. FRAME HEIGHT.  
 F.W. FRAME WIDTH.  
 D.O. DOOR OPENING  
 W/ WITH  
 W/O WITHOUT  
 O.C. ON CENTER

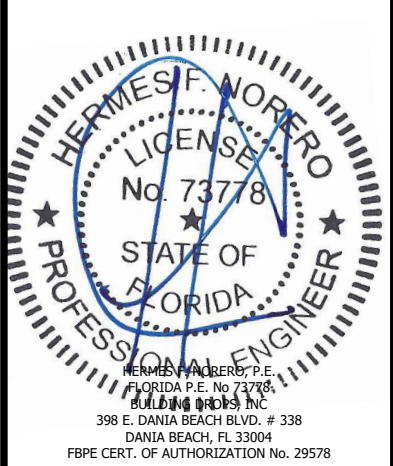


7905 NW 77TH AVE  
 MEDLEY, FL 33166  
 PH: (305) 713-1871FX: (305) 713-1872

TITLE: SERIES 650 OUTSWING RESIDENTIAL DOOR (HVHZ)(IMPACT)  
 ELEVATIONS (WITH TRANSOM)  
 PREPARED BY: BUILDING DROPS, INC.  
 398 E. DANIA BEACH BLVD., STE. 338  
 DANIA BEACH, FL 33004  
 PH: (954)399-8478  
 FAX: (954)744-4738  
 WEB: www.buildingdrops.com

REMARKS	BY	DATE
HARDWARE UPDATE	SH	6.6.22

THE INSTALLATION DETAILS DESCRIBED HEREIN ARE GENERIC AND MAY NOT REFLECT ACTUAL CONDITIONS FOR A SPECIFIC SITE. IF SITE CONDITIONS CAUSE INSTALLATION TO DEVIATE FROM THE REQUIREMENTS DETAILED HEREIN, A LICENSED ENGINEER OR ARCHITECT SHALL PREPARE SITE SPECIFIC DOCUMENTS FOR USE WITH THIS DOCUMENT.



FL #:

DATE: 10.11.21

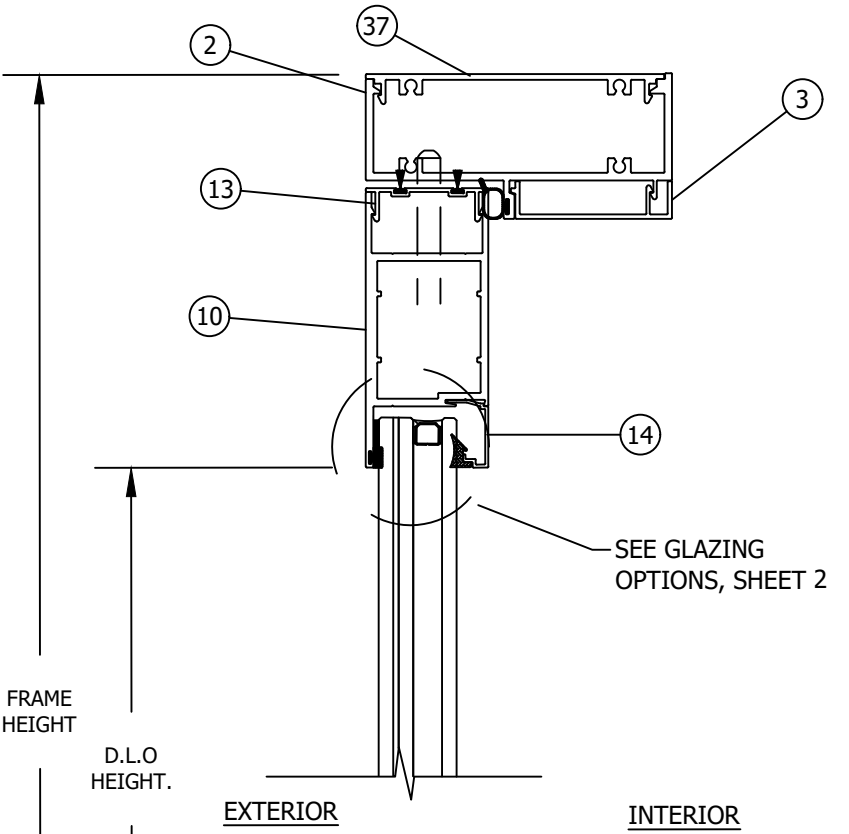
DWG. BY: ER  
 CHK. BY: HFN

SCALE: NTS

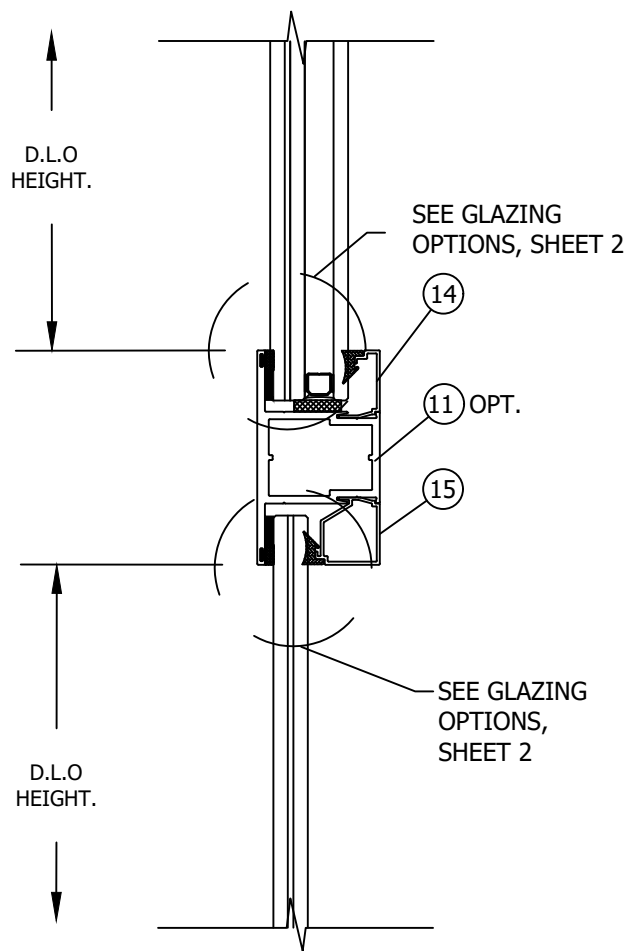
DWG. #: ECI032

SHEET: 6

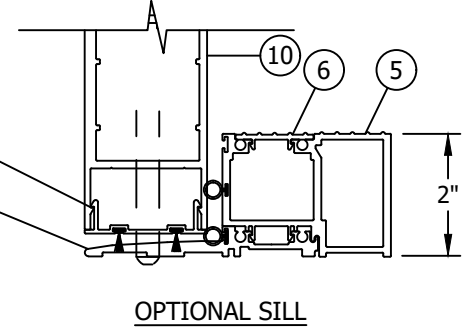
\* SEE SERIES 500 DETAILS UNDER SEPARATE APPROVAL



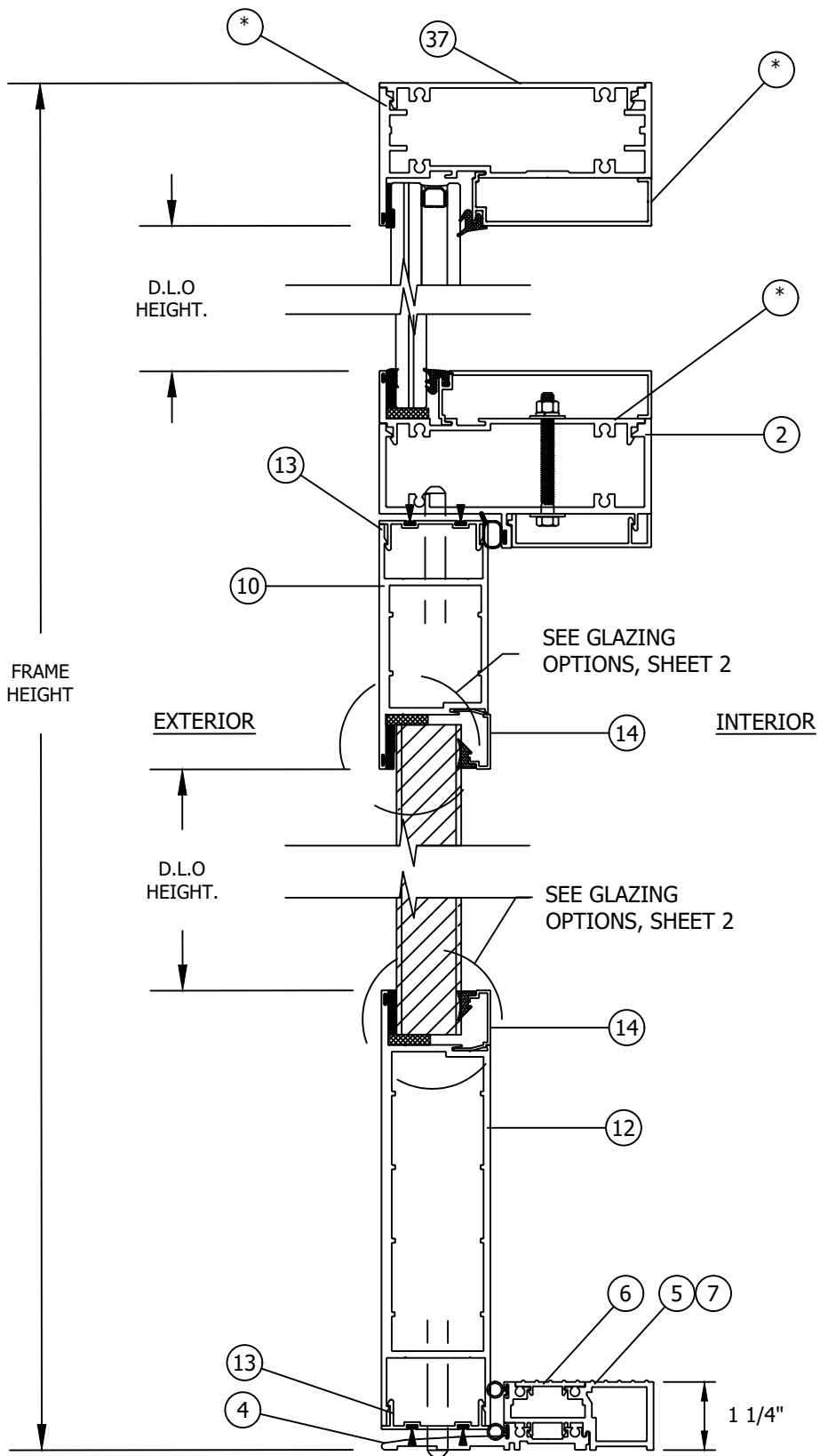
**A**  
7  
VERTICAL SECTION  
HEAD AND SILL



**B**  
7  
VERTICAL SECTION  
MEETING RAIL  
OPTIONAL



OPTIONAL SILL



**C**  
7  
VERTICAL SECTION  
HEAD W/TRANSOM AND SILL



7905 NW 77TH AVE  
MEDLEY, FL 33166  
PH: (305) 713-1871 FX: (305) 713-1872

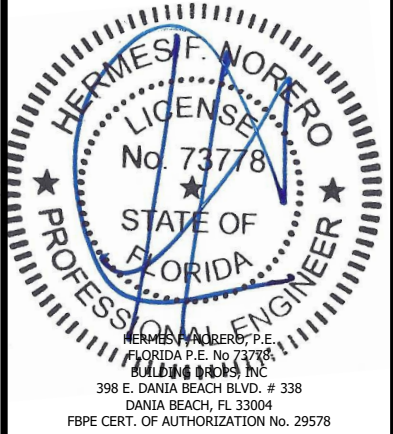
TITLE: SERIES 650 OUTSWING  
RESIDENTIAL DOOR  
(HVHZ)(IMPACT)  
VERTICAL SECTIONS

PREPARED BY:  
**B.D.**  
BUILDING DROPS

**BUILDING DROPS, INC.**  
398 E. DANIA BEACH BLVD., STE. 338  
DANIA BEACH, FL 33004  
PH: (954)399-8478  
FAX: (954)744-4738  
WEB: www.buildingdrops.com

REMARKS	BY	DATE
HARDWARE UPDATE	SH	6.6.22

THE INSTALLATION DETAILS DESCRIBED HEREIN ARE GENERIC AND MAY NOT REFLECT ACTUAL CONDITIONS FOR A SPECIFIC SITE. IF SITE CONDITIONS CAUSE INSTALLATION TO DEVIATE FROM THE REQUIREMENTS DETAILED HEREIN, A LICENSED ENGINEER OR ARCHITECT SHALL PREPARE SITE SPECIFIC DOCUMENTS FOR USE WITH THIS DOCUMENT.



FL #:

**FL39881**

DATE: **10.11.21**

DWG. BY: <b>ER</b>	CHK. BY: <b>HFN</b>
-----------------------	------------------------

SCALE: **NTS**

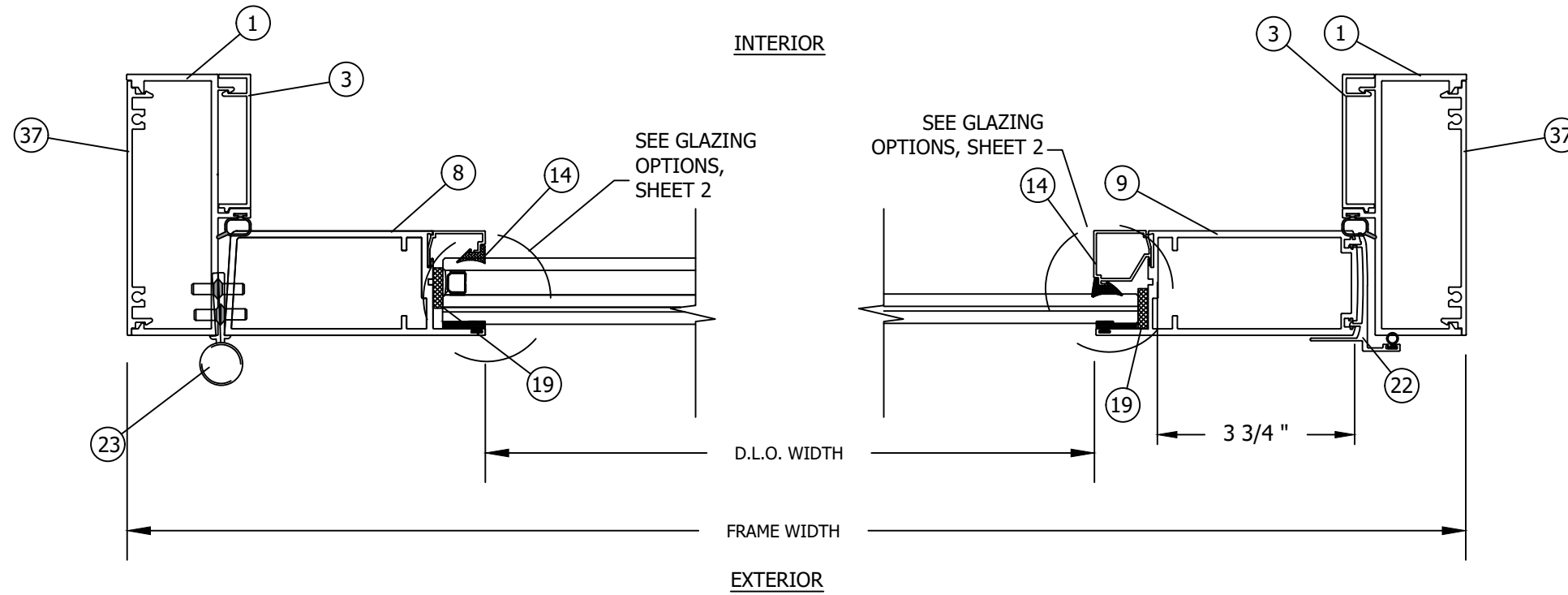
DWG. #: **ECI032**

SHEET:

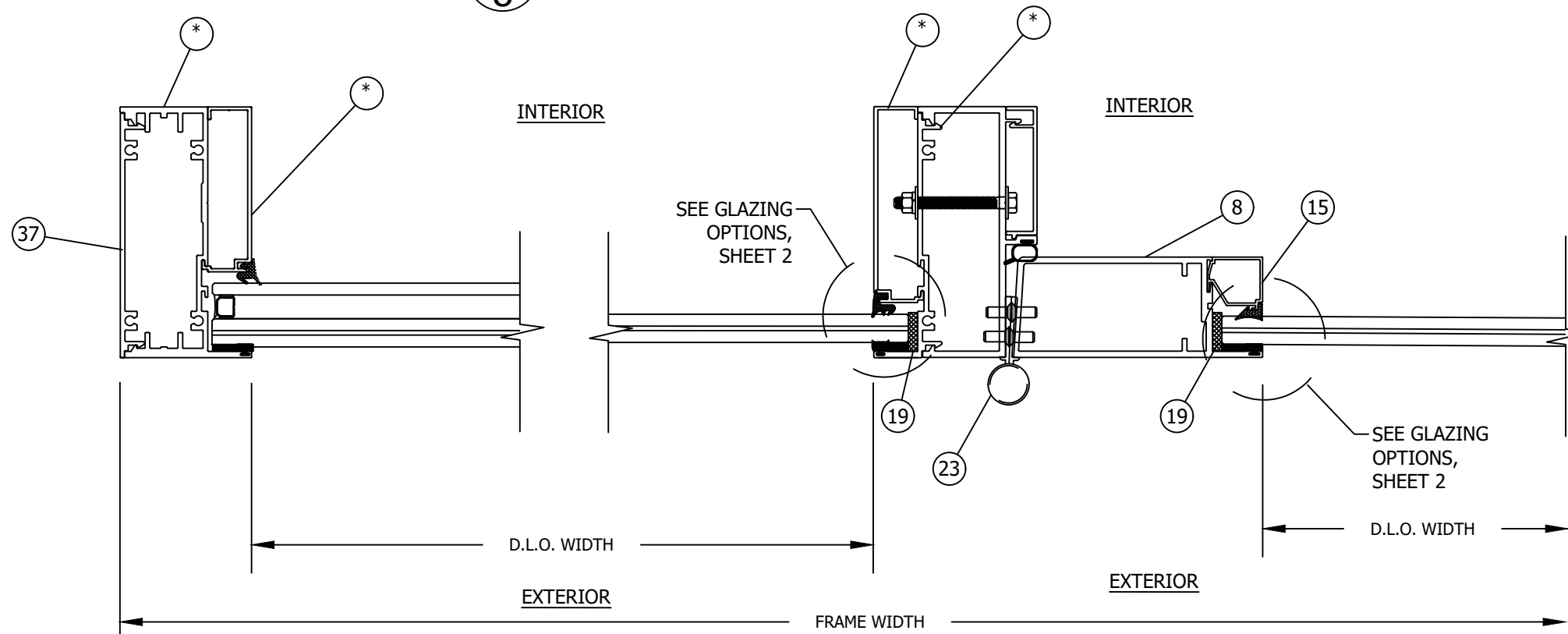
**7**  
OF 15



\* SEE SERIES 500 DETAILS UNDER SEPARATE APPROVAL



**A**  
8 HORIZONTAL SECTION  
JAMBS



**B**  
8 HORIZONTAL SECTION  
SIDELITE

**C**  
8 HORIZONTAL SECTION  
DOOR JAMB W/SIDELITE



7905 NW 77TH AVE  
MEDLEY, FL 33166  
PH: (305) 713-1871 FX: (305) 713-1872

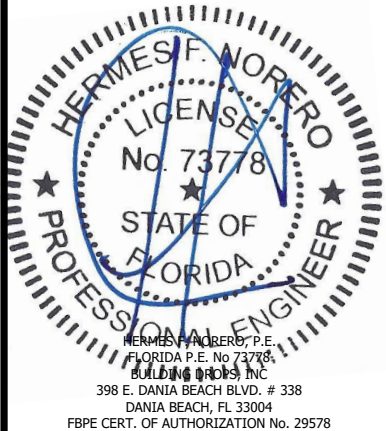
TITLE: SERIES 650 OUTSWING  
RESIDENTIAL DOOR  
(HVHZ)(IMPACT)

HORIZONTAL SECTIONS

PREPARED BY:  
**B.D.**  
BUILDING DROPS, INC.  
398 E. DANIA BEACH BLVD., STE. 338  
DANIA BEACH, FL 33004  
PH: (954)399-8478  
FAX: (954)744-4738  
WEB: www.buildingdrops.com

REMARKS	BY	DATE
HARDWARE UPDATE	SH	6.6.22

THE INSTALLATION DETAILS DESCRIBED HEREIN ARE GENERIC AND MAY NOT REFLECT ACTUAL CONDITIONS FOR A SPECIFIC SITE. IF SITE CONDITIONS CAUSE INSTALLATION TO DEVIATE FROM THE REQUIREMENTS DETAILED HEREIN, A LICENSED ENGINEER OR ARCHITECT SHALL PREPARE SITE SPECIFIC DOCUMENTS FOR USE WITH THIS DOCUMENT.



FL #: **FL39881**

DATE: **10.11.21**

DWG. BY: **ER** | CHK. BY: **HFN**

SCALE: **NTS**

DWG. #: **ECI032**

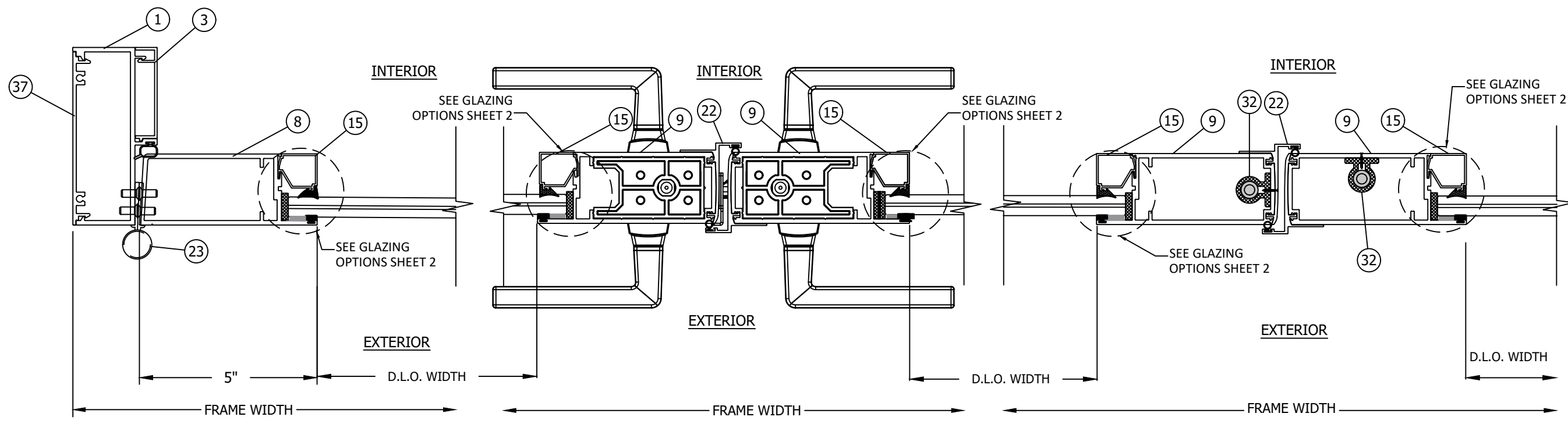
SHEET: **8**



TITLE: SERIES 650 OUTSWING  
RESIDENTIAL DOOR  
(HVHZ)(IMPACT)

HORIZONTAL SECTIONS

PREPARED BY:  
**BUILDING DROPS, INC.**  
398 E. DANIA BEACH BLVD., STE. 338  
DANIA BEACH, FL 33004  
PH: (954)399-8478  
FAX: (954)744-4738  
WEB: www.buildingdrops.com

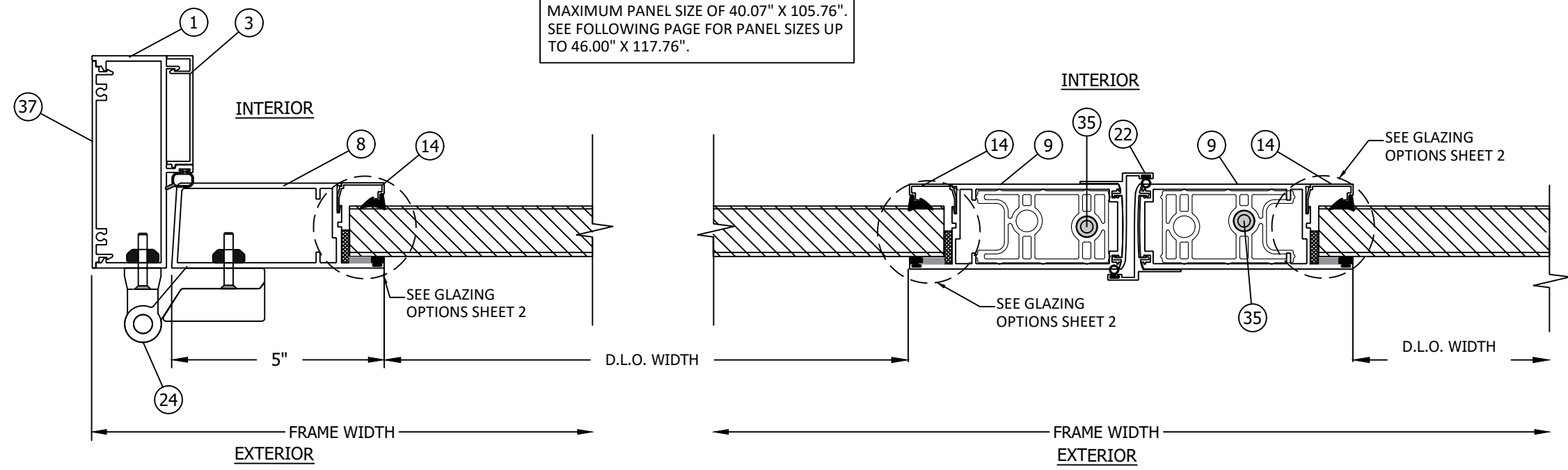


**A**  
**9** HORIZONTAL SECTION  
DOOR JAMB W/ SULLIVAN HINGE

**E**  
**9** HORIZONTAL SECTION  
ASTRAGAL W/ INTERLOCK 3 POINT LOCK

**C**  
**9** HORIZONTAL SECTION  
ASTRAGAL W/ SULLIVAN FLUSH BOLT

**NOTE:**  
DETAILS ON THIS PAGE ARE FOR A  
MAXIMUM PANEL SIZE OF 40.07" X 105.76".  
SEE FOLLOWING PAGE FOR PANEL SIZES UP  
TO 46.00" X 117.76".

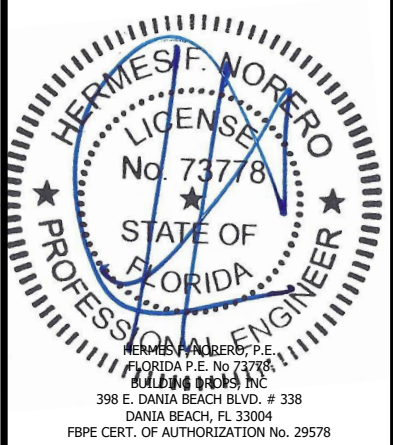


**B**  
**9** HORIZONTAL SECTION  
DOOR JAMB W/ DR. HAHN HINGE

**D**  
**9** HORIZONTAL SECTION  
ASTRAGAL W/ GAAB FLUSH BOLT

REMARKS	BY	DATE
HARDWARE UPDATE	SH	6.6.22

THE INSTALLATION DETAILS DESCRIBED HEREIN ARE GENERIC AND MAY NOT REFLECT ACTUAL CONDITIONS FOR A SPECIFIC SITE. IF SITE CONDITIONS CAUSE INSTALLATION TO DEVIATE FROM THE REQUIREMENTS DETAILED HEREIN, A LICENSED ENGINEER OR ARCHITECT SHALL PREPARE SITE SPECIFIC DOCUMENTS FOR USE WITH THIS DOCUMENT.



FL #: **FL39881**

DATE: **10.11.21**

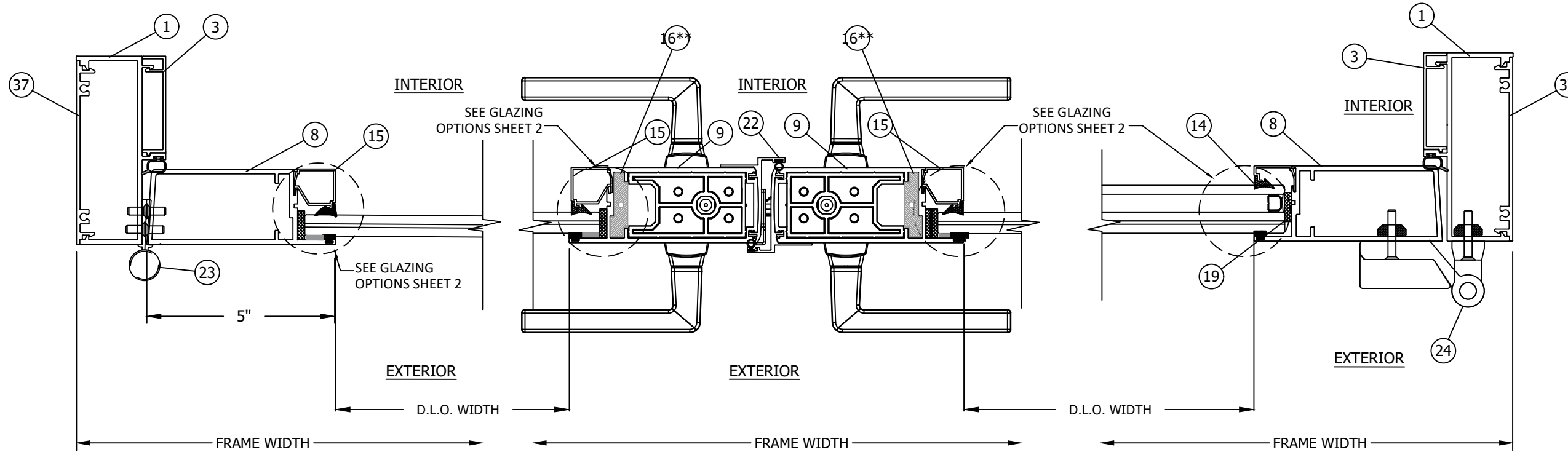
DWG. BY: <b>ER</b>	CHK. BY: <b>HFN</b>
-----------------------	------------------------

SCALE: **NTS**

DWG. #: **ECI032**

s:\projects\eurocraft\_industries inc\bc-22-0440.1 - fbc submittal - r139881\_series 650\_residential\_door\_revision\dwg\sec032 - 2022-06-06.dwg

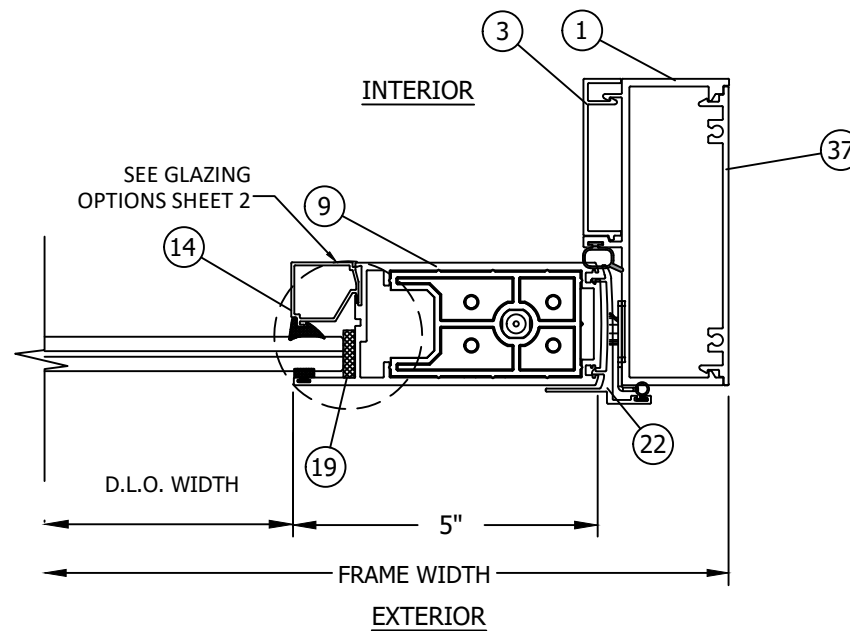
\* SEE SERIES 500 DETAILS UNDER SEPARATE APPROVAL  
 \*\* CONTINUOUS ONLY AT DOORS TALLER THAN 108"



**A**  
**10** HORIZONTAL SECTION  
 DOOR JAMB W/ SULLIVAN HINGE

**E**  
**10** HORIZONTAL SECTION  
 ASTRAGAL W/ INTERLOCK 3 POINT LOCK

**C**  
**10** HORIZONTAL SECTION  
 DOOR JAMB W/ DR. HAHN HINGE



**B**  
**10** HORIZONTAL SECTION  
 LOCK JAMB W/ INTERLOCK 3 POINT LOCK



7905 NW 77TH AVE  
 MEDLEY, FL 33166  
 PH: (305) 713-1871 FX: (305) 713-1872

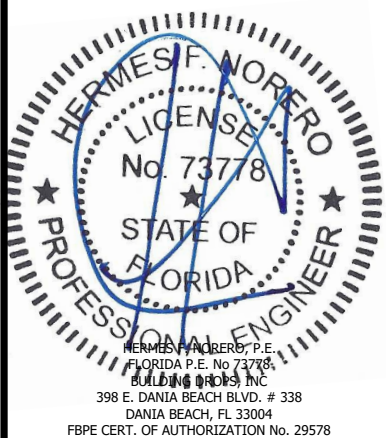
TITLE: SERIES 650 OUTSWING  
 RESIDENTIAL DOOR  
 (HVHZ)(IMPACT)

HORIZONTAL SECTIONS

PREPARED BY:  
**B.D.**  
 BUILDING DROPS, INC.  
 398 E. DANIA BEACH BLVD., STE. 338  
 DANIA BEACH, FL 33004  
 PH: (954)399-8478  
 FAX: (954)744-4738  
 WEB: www.buildingdrops.com

REMARKS	BY	DATE
HARDWARE UPDATE	SH	6.6.22

THE INSTALLATION DETAILS DESCRIBED HEREIN ARE GENERIC AND MAY NOT REFLECT ACTUAL CONDITIONS FOR A SPECIFIC SITE. IF SITE CONDITIONS CAUSE INSTALLATION TO DEVIATE FROM THE REQUIREMENTS DETAILED HEREIN, A LICENSED ENGINEER OR ARCHITECT SHALL PREPARE SITE SPECIFIC DOCUMENTS FOR USE WITH THIS DOCUMENT.



FL #:  
**FL39881**

DATE: **10.11.21**

DWG. BY: **ER** | CHK. BY: **HFN**

SCALE: **NTS**

DWG. #: **ECI032**

SHEET:  
**10**



7905 NW 77TH AVE  
MEDLEY, FL 33166  
PH: (305) 713-1871FX: (305) 713-1872

**BUILDING DROPS, INC.**  
398 E. DANIA BEACH BLVD., STE. 338  
DANIA BEACH, FL 33004  
PH: (954)399-8478  
FAX: (954)744-4738  
WEB: www.buildingdrops.com



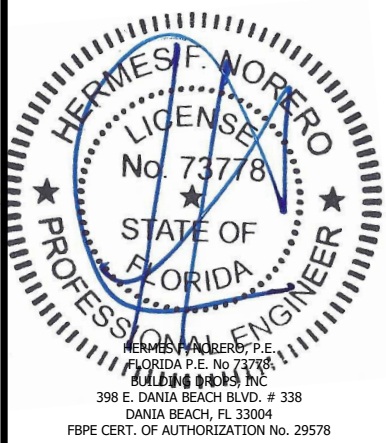
TITLE: SERIES 650 OUTSWING  
RESIDENTIAL DOOR  
(HVHZ)(IMPACT)

HARDWARE OPTIONS & PANEL STYLES

PREPARED BY:

REMARKS	BY	DATE
HARDWARE UPDATE	SH	6.6.22

THE INSTALLATION DETAILS DESCRIBED HEREIN ARE GENERIC AND MAY NOT REFLECT ACTUAL CONDITIONS FOR A SPECIFIC SITE. IF SITE CONDITIONS CAUSE INSTALLATION TO DEVIATE FROM THE REQUIREMENTS DETAILED HEREIN, A LICENSED ENGINEER OR ARCHITECT SHALL PREPARE SITE SPECIFIC DOCUMENTS FOR USE WITH THIS DOCUMENT.



FL #: **FL39881**

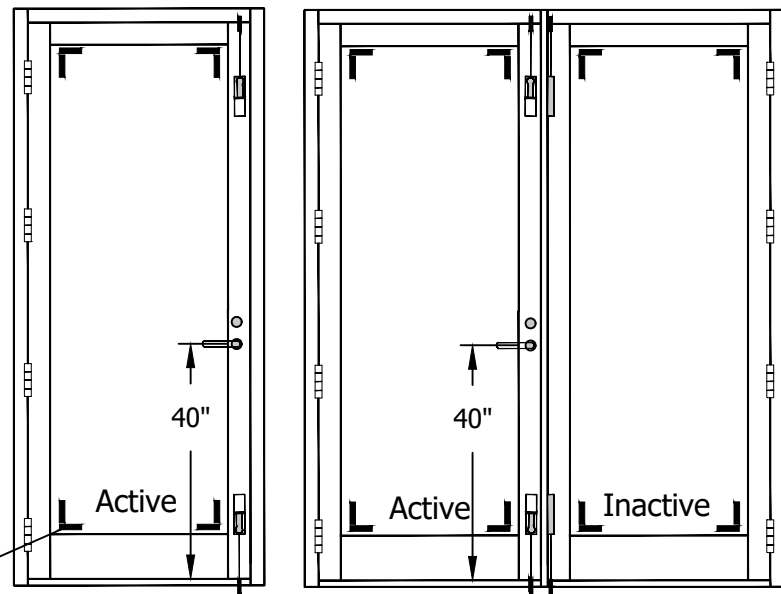
DATE: **10.11.21**

DWG. BY: **ER** | CHK. BY: **HFN**

SCALE: **NTS**

DWG. #: **ECI032**

SHEET: **11**



**LOCK OPTION #1 & #2 (UP TO 108" F.H.):**

**ACTIVE LEAF**

**OPTION #1:** CYLINDRICAL LOCK (30)  
DEAD BOLT (31)

SULLIVAN FLUSH BOLT - QUANTITY (2) (32)  
INTERLOCK ALUMINUM EXTRUDED GUIDE - QUANTITY (2)  
OR  
GAAB FLUSH BOLT - QUANTITY (2) (35)  
NYLON (PA66) GUIDE - QUANTITY (2)

**OPTION #2:** GAAB R750 SMART LOCK (25)

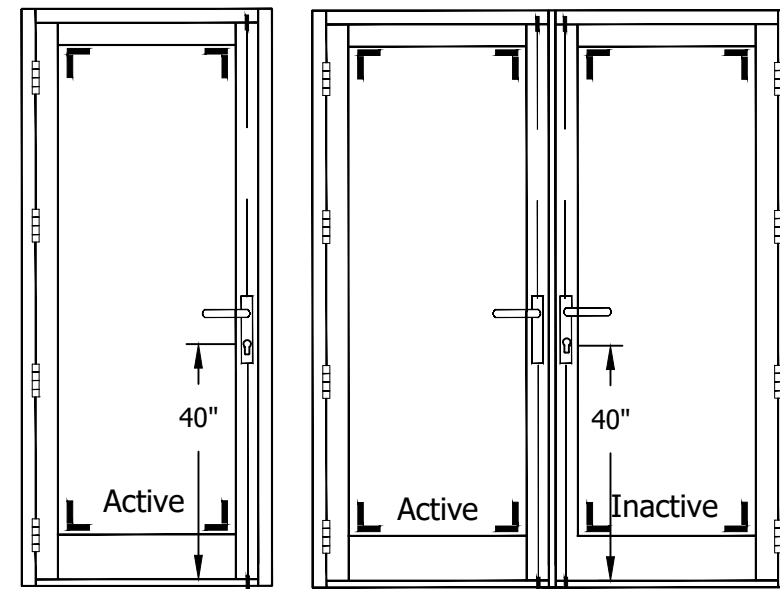
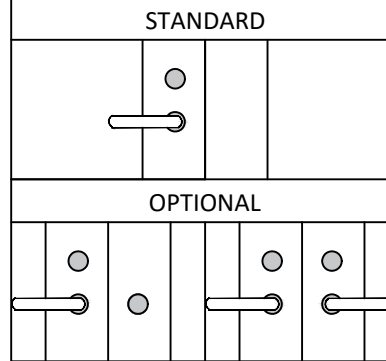
SULLIVAN FLUSH BOLT - QUANTITY (2) (32)  
INTERLOCK ALUMINUM EXTRUDED GUIDE - QUANTITY (2)  
OR  
GAAB FLUSH BOLT - QUANTITY (2) (35)  
NYLON (PA66) GUIDE - QUANTITY (2)

**INACTIVE LEAF**

**OPTION #1:** SULLIVAN FLUSH BOLT - QUANTITY (2) (32)  
INTERLOCK ALUMINUM EXTRUDED GUIDE - QUANTITY (2)

**OPTION #2:** GAAB FLUSH BOLT - QUANTITY (2) (35)  
NYLON (PA66) GUIDE - QUANTITY (2)

OPTIONAL DECORATIVE DUMMY TRIM CONFIGURATIONS FOR INACTIVE PANEL FOR LOCK OPTIONS 1 OR 2



**LOCK OPTION #3 (UP TO 120" F.H.):**

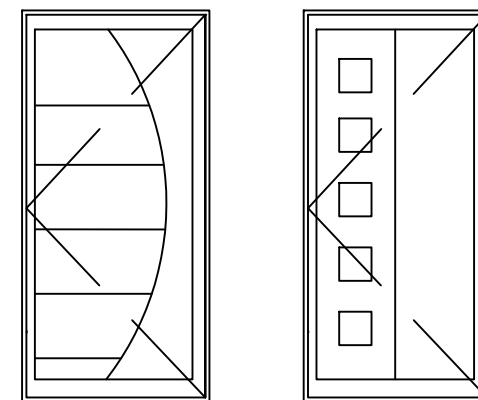
**ACTIVE LEAF**

3- POINT LOCK BY INTERLOCK (X3) AT 40" FROM BOTTOM  
HANDLE ACTIVATES DEAD BOLTS AND SHOOT BOLTS ENGAGING AT HEAD AND SILL  
KEY OPERATED ON EXTERIOR AND THUMB TURN ON INTERIOR

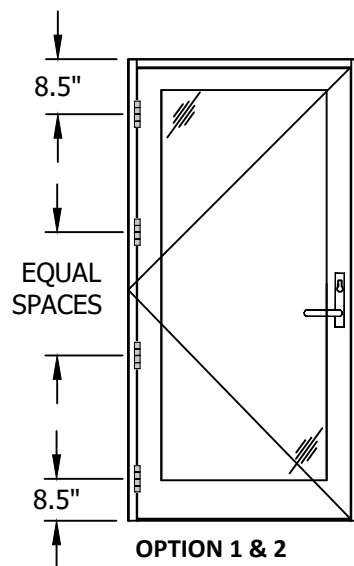
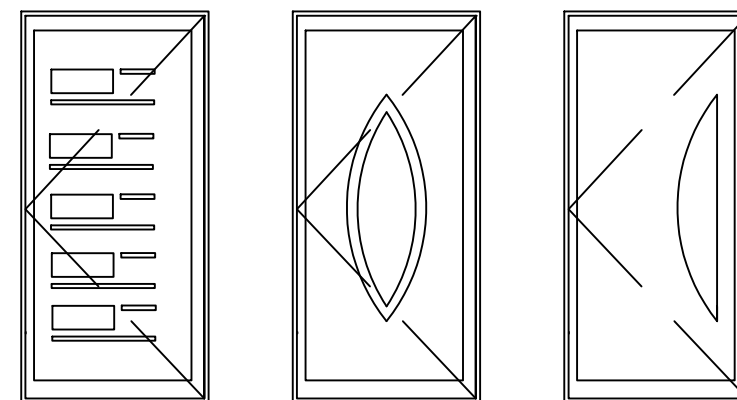
**INACTIVE LEAF**

2- POINT LOCK SYSTEM BY INTERLOCK AT 40" FROM BOTTOM  
HANDLE ACTIVATES SHOOT BOLTS ENGAGING AT HEAD AND SILL

**OPTIONAL OPAQUE GLASS PANES:**



**NOTE:**  
1. GLASS PATTERNS ON OPAQUE PANELS CONSIST OF 3/16" GLASS SURFACE APPLIED FLUSH WITH PVC SKIN.  
2. CONTACT MANUFACTURER FOR ADDITIONAL PATTERN OPTIONS



**HINGE OPTIONS**

**HINGE OPTION #1:**  
BUTT HINGE BY SULLIVAN (23) / DR HAHN (24) (3) PER LEAF UP TO 90" F.H. @ 8 1/2" FROM HEAD AND SILL AND (2) EQUAL SPACES.

**HINGE OPTION #2:**  
BUTT HINGE BY SULLIVAN (23) / DR HAHN (24) (4) PER LEAF FROM 90" TO 108" F.H. @ 8 1/2" FROM HEAD AND SILL AND (3) EQUAL SPACES.

**HINGE OPTION #3:**  
BUTT HINGE BY SULLIVAN (23) / DR HAHN (24) (5) PER LEAF FROM 108" TO 120" F.H. @ 8 1/2" FROM HEAD AND SILL AND (4) EQUAL SPACES.

**OPTION 1 & 2**

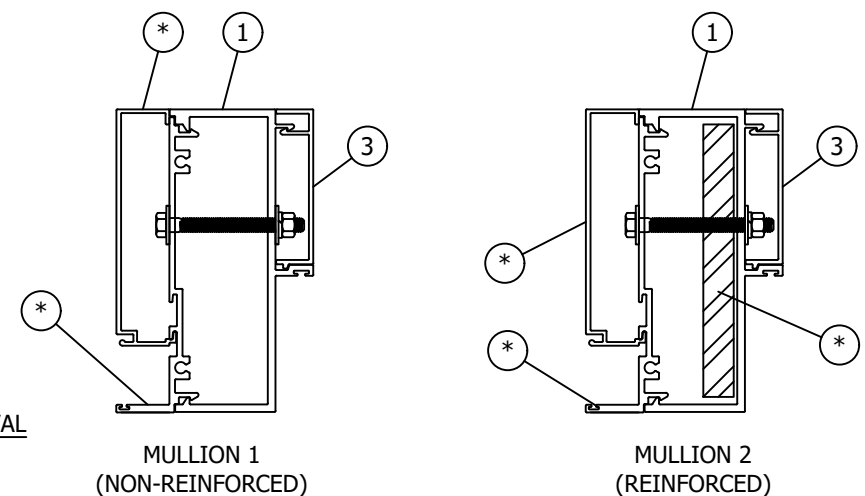
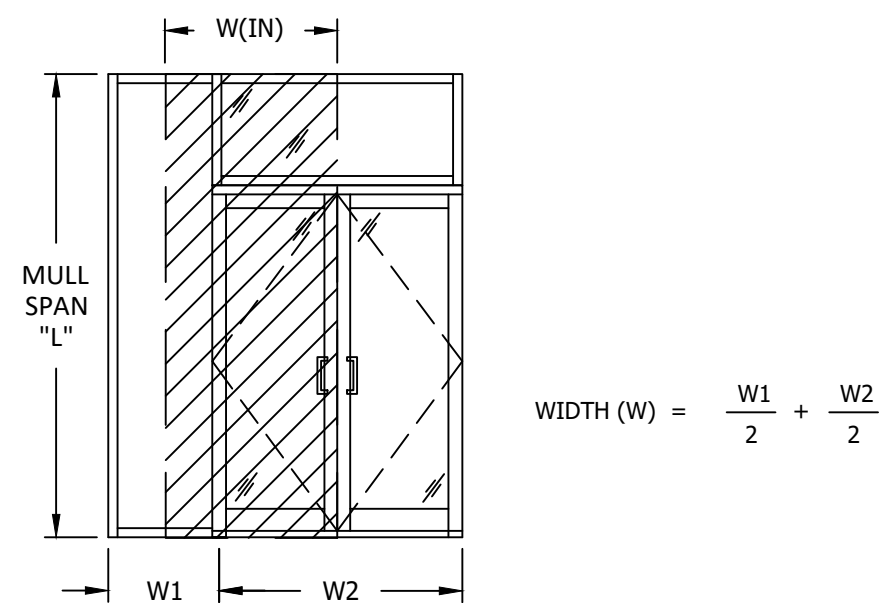
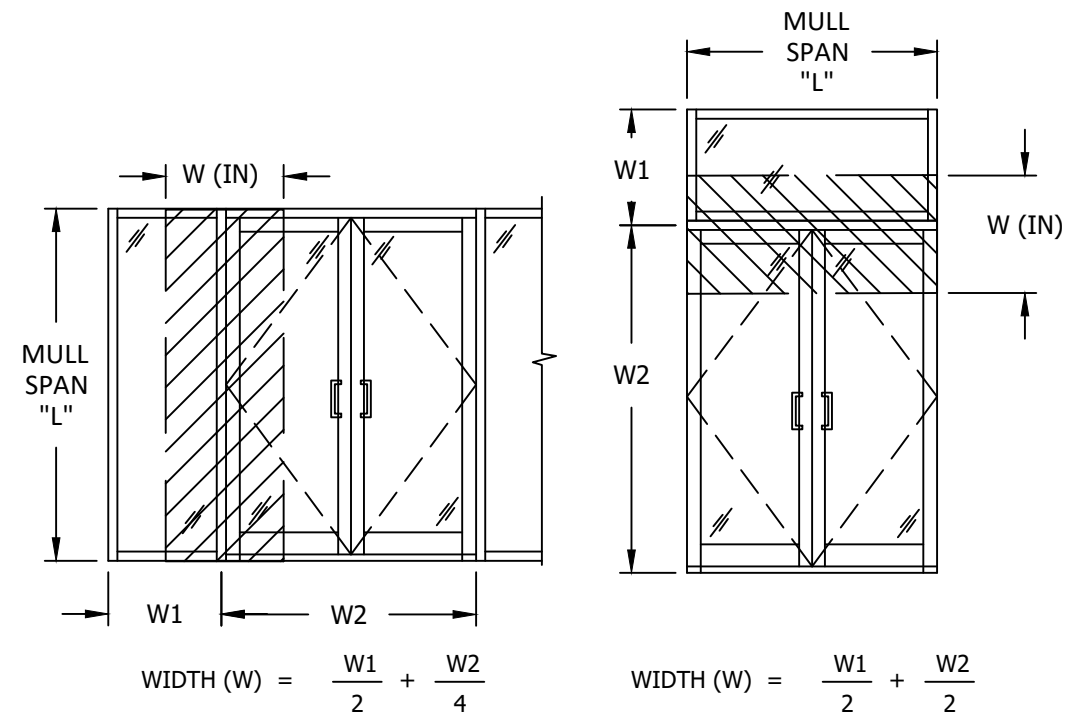
s:\projects\eurowcraft\_industries inc\bc-22-0440.1 - fbc submittal - r139881-series 650-residential door revision\dwg\ecr032 - 2022-06-06.dwg

6/9/2022 10:16 AM

s:\projects\eurocraft\_industries inc\bc-22-0440.1 - fbc submittal - r139881-series 650 residential door revision\dwg\ecr032 - 2022-06-06.dwg  
6/9/2022 10:16 AM

WIDTH (IN)	MULL SPAN "L" (IN)	DESIGN PRESSURE (+/- PSF)	
		REINFORCED	NON-REINFORCED
24.0	84.0	100.0	100.0
30.0		100.0	100.0
36.0		100.0	100.0
42.0		100.0	100.0
48.0		100.0	100.0
54.0		100.0	95.2
60.0		100.0	85.7
66.0		100.0	77.9
72.0		100.0	-
78.0		100.0	-
84.0		98.0	-
90.0		91.4	-
96.0	85.7	-	
102.0	80.7	-	
24.0	90.0	100.0	100.0
30.0		100.0	100.0
36.0		100.0	100.0
42.0		100.0	100.0
48.0		100.0	100.0
54.0		100.0	88.9
60.0		100.0	80.0
66.0		100.0	-
72.0		100.0	-
78.0		98.5	-
84.0		91.4	-
90.0		85.3	-
96.0	80.0	-	
24.0	96.0	100.0	100.0
30.0		100.0	100.0
36.0		100.0	100.0
42.0		100.0	100.0
48.0		100.0	93.8
54.0		100.0	83.3
60.0		100.0	75.0
66.0		100.0	-
72.0		100.0	-
78.0		92.3	-
84.0		85.7	-
90.0		80.0	-
24.0	102.0	100.0	100.0
30.0		100.0	100.0
36.0		100.0	100.0
42.0		100.0	100.0
48.0		100.0	88.2
54.0		100.0	78.4
60.0		100.0	-
66.0		100.0	-
72.0		94.1	-
78.0		86.9	-
84.0		80.7	-
24.0		108.0	100.0
30.0	100.0		100.0
36.0	100.0		100.0
42.0	100.0		95.2
48.0	100.0		83.3
54.0	100.0		-
60.0	100.0		-
66.0	97.0		-
72.0	88.9		-
78.0	82.1		-

WIDTH (IN)	MULL SPAN "L" (IN)	DESIGN PRESSURE (+/- PSF)		
		REINFORCED	NON-REINFORCED	
24.0	114.0	100.0	100.0	
30.0		100.0	100.0	
36.0		100.0	100.0	
42.0		100.0	90.2	
48.0		100.0	78.9	
54.0		100.0	-	
60.0		100.0	-	
66.0		91.9	-	
72.0		84.2	-	
24.0		120.0	100.0	100.0
30.0			100.0	100.0
36.0			100.0	95.6
42.0	100.0		81.9	
48.0	100.0		71.7	
54.0	100.0		-	
60.0	96.0		-	
66.0	87.3		-	
72.0	80.0		-	
24.0	126.0		100.0	100.0
30.0			100.0	99.1
36.0			100.0	82.6
42.0		100.0	70.8	
48.0		100.0	-	
54.0		92.1	-	
60.0		82.9	-	
66.0		75.4	-	
24.0		132.0	100.0	100.0
30.0			100.0	86.2
36.0			100.0	71.8
42.0			100.0	61.5
48.0	90.2		-	
54.0	80.1		-	
60.0	72.1		-	
24.0	138.0		100.0	94.3
30.0			100.0	75.4
36.0			100.0	62.8
42.0			90.2	-
48.0			78.9	-
54.0		70.1	-	
60.0		63.1	-	
24.0		144.0	100.0	83.0
30.0			100.0	66.4
36.0			92.6	55.3
42.0			79.4	-
48.0			69.4	-
54.0	61.7		-	
60.0	55.6		-	



\* SEE SERIES 500 DETAILS UNDER SEPARATE APPROVAL



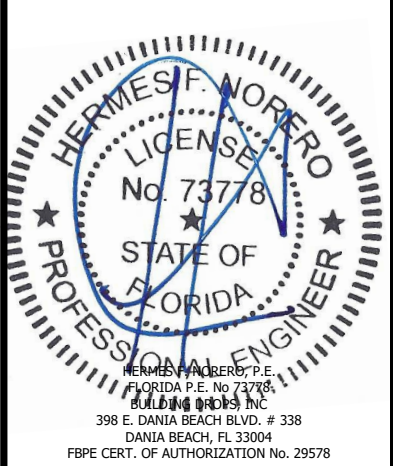
7905 NW 77TH AVE  
MEDLEY, FL 33166  
PH: (305) 713-1871 FX: (305) 713-1872

TITLE: SERIES 650 OUTSWING RESIDENTIAL DOOR (HVHZ)(IMPACT)  
MULLION LOAD JAMB CAPACITY

PREPARED BY: BUILDING DROPS, INC.  
398 E. DANIA BEACH BLVD., STE. 338  
DANIA BEACH, FL 33004  
PH: (954)399-8478  
FAX: (954)744-4738  
WEB: www.buildingdrops.com

REMARKS	BY	DATE
HARDWARE UPDATE	SH	6.6.22

THE INSTALLATION DETAILS DESCRIBED HEREIN ARE GENERIC AND MAY NOT REFLECT ACTUAL CONDITIONS FOR A SPECIFIC SITE. IF SITE CONDITIONS CAUSE INSTALLATION TO DEVIATE FROM THE REQUIREMENTS DETAILED HEREIN, A LICENSED ENGINEER OR ARCHITECT SHALL PREPARE SITE SPECIFIC DOCUMENTS FOR USE WITH THIS DOCUMENT.



FL #: **FL39881**

DATE: **10.11.21**

DWG. BY: **ER** | CHK. BY: **HFN**

SCALE: **NTS**

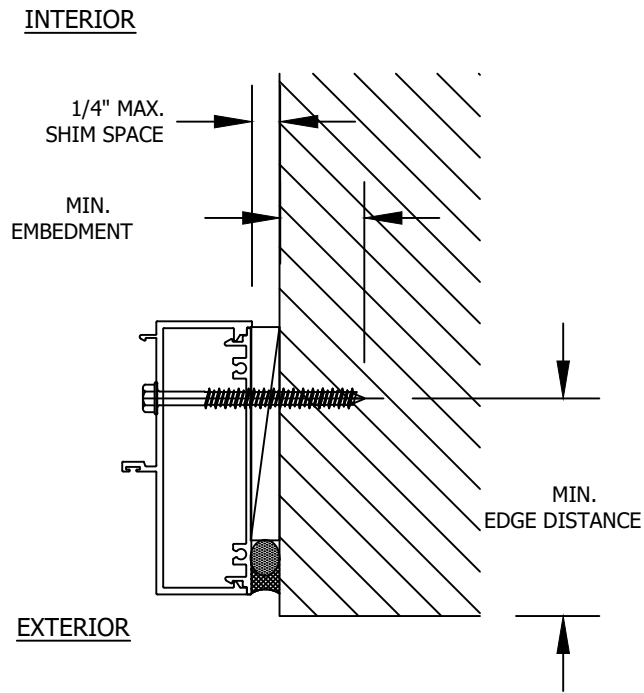
DWG. #: **ECI032**

SHEET: **12** OF 15

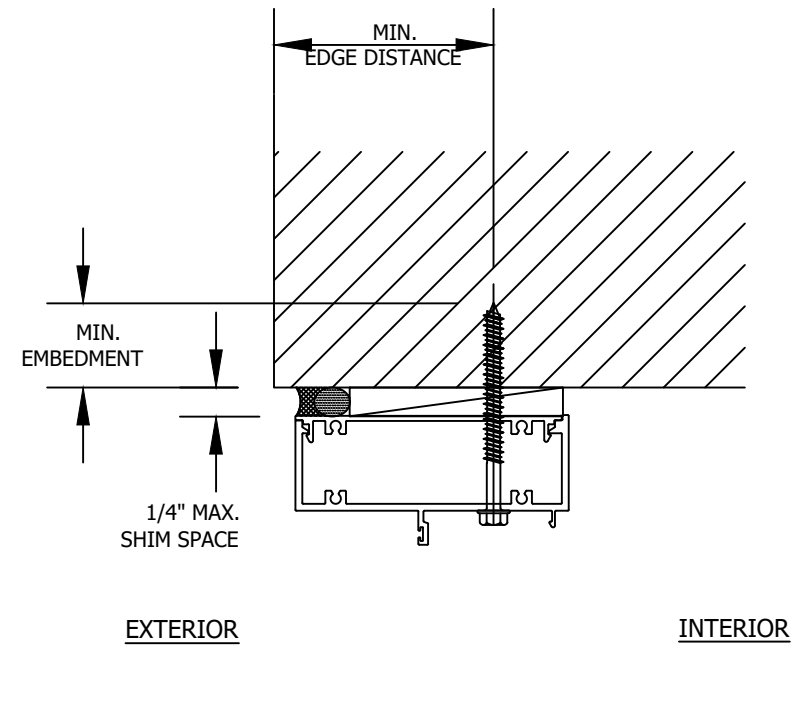




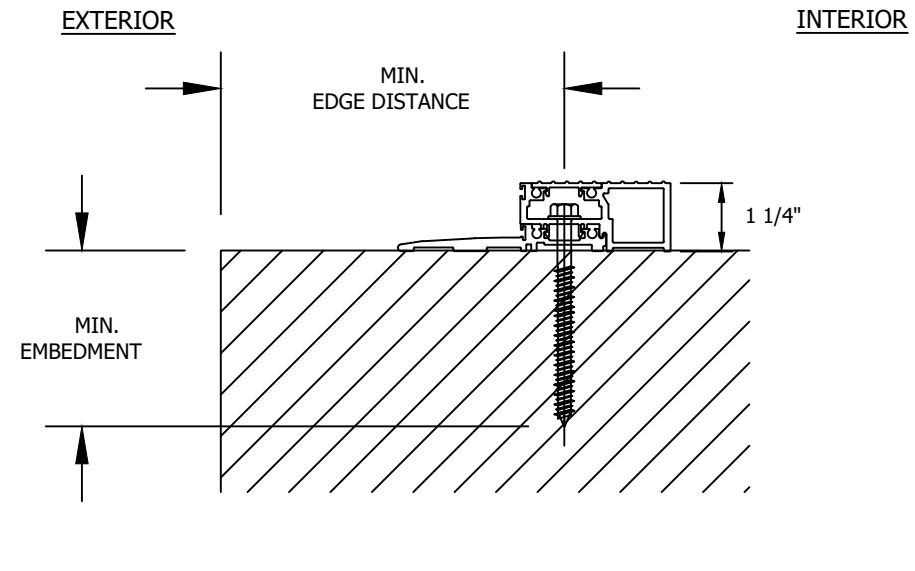
7905 NW 77TH AVE  
MEDLEY, FL 33166  
PH: (305) 713-1871FX: (305) 713-1872



**A**  
**13**  
**JAMB SECTION**  
THROUGH FRAME



**B**  
**13**  
**HEAD SECTION**  
THROUGH FRAME



**C**  
**13**  
**THRESHOLD SECTION**  
THROUGH FRAME

**INSTALLATION NOTES:**

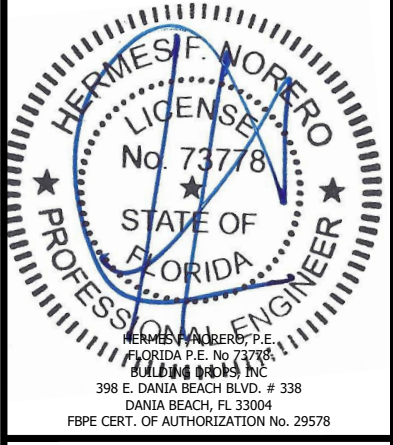
- ONE (1) INSTALLATION ANCHOR IS REQUIRED AT EACH ANCHOR LOCATION.
- THE NUMBER OF INSTALLATION ANCHORS DEPICTED IS THE MINIMUM NUMBER OF ANCHORS TO BE USED FOR PRODUCT INSTALLATION OF THE MAXIMUM SIZE LISTED.
- INSTALL INDIVIDUAL INSTALLATION ANCHORS WITHIN A TOLERANCE OF ±1/4 INCH THE DEPICTED LOCATION & SPACING IN THE ANCHOR LAYOUT DETAILS (I.E., WITHOUT CONSIDERATION OF TOLERANCES). TOLERANCES ARE NOT CUMULATIVE FROM ONE INSTALLATION ANCHOR TO THE NEXT.
- SHIM AS REQUIRED AT EACH INSTALLATION ANCHOR WITH LOAD BEARING SHIM(S). MAXIMUM ALLOWABLE SHIM STACK TO BE 1/4 INCH. SHIM WHERE SPACE OF 1/16 INCH OR GREATER OCCURS. SHIM(S) SHALL BE CONSTRUCTED OF HIGH DENSITY PLASTIC OR BETTER.
- FOR MASONRY OR CONCRETE OPENINGS, A 1X WOOD BUCK MAY BE USED (OPTIONAL) AS LONG AS THE MINIMUM EMBEDMENT AND EDGE DISTANCE REQUIREMENTS ARE STILL MET WITHIN THE CORRESPONDING HOST SUBSTRATE. SEE GENERAL NOTE #3 ON SHEET 1 FOR MORE INFORMATION.
- MINIMUM EMBEDMENT AND EDGE DISTANCE EXCLUDE WALL FINISHES, INCLUDING BUT NOT LIMITED TO STUCCO, FOAM, BRICK VENEER, AND SIDING.
- INSTALLATION ANCHORS AND ASSOCIATED HARDWARE MUST BE MADE OF CORROSION RESISTANT MATERIAL OR HAVE A CORROSION RESISTANT COATING.
- FOR HOLLOW BLOCK AND GROUT FILLED BLOCK, DO NOT INSTALL INSTALLATION ANCHORS INTO MORTAR JOINTS. EDGE DISTANCE IS MEASURED FROM FREE EDGE OF BLOCK OR EDGE OF MORTAR JOINT INTO FACE SHELL OF BLOCK.
- INSTALLATION ANCHORS SHALL BE INSTALLED IN ACCORDANCE WITH ANCHOR MANUFACTURER'S INSTALLATION INSTRUCTIONS, AND ANCHORS SHALL NOT BE USED IN SUBSTRATES WITH STRENGTHS LESS THAN THE MINIMUM STRENGTH SPECIFIED BY THE ANCHOR MANUFACTURER.

ANCHOR SCHEDULE					
METHOD	ANCHOR TYPE	SUBSTRATE	ANCHOR SCHEDULE	MIN. EMBEDMENT	MIN. EDGE DISTANCE
THROUGH FRAME	A	2XWOOD: MIN. SG= 0.55	5/16" ULTRACON	1.5"	1.5"
	B	METAL: 18 GAUGE STEEL, MIN. FY= 33KSI	5/16" SMS OR SELF DRILLING SCREW	1.75"	2.5"
	C	METAL: ALUMINUM MIN. 1/8" THICKNESS (6063-T5 MIN.)			
	D	CONCRETE: MIN. F'C= 3000 PSI OR MASONRY: CMU PER ASTM C90 MIN. 2000 PSI	5/16" ULTRACON	1.75"	2.5"

TITLE: SERIES 650 OUTSWING RESIDENTIAL DOOR (HVHZ)(IMPACT)  
INSTALLATION NOTES & ANCHOR DETAILS  
PREPARED BY: **BUILDING DROPS, INC.**  
398 E. DANIA BEACH BLVD., STE. 338  
DANIA BEACH, FL 33004  
PH: (954)399-8478  
FAX: (954)744-4738  
WEB: www.buildingdrops.com

REMARKS	BY	DATE
HARDWARE UPDATE	SH	6.6.22

THE INSTALLATION DETAILS DESCRIBED HEREIN ARE GENERIC AND MAY NOT REFLECT ACTUAL CONDITIONS FOR A SPECIFIC SITE. IF SITE CONDITIONS CAUSE INSTALLATION TO DEVIATE FROM THE REQUIREMENTS DETAILED HEREIN, A LICENSED ENGINEER OR ARCHITECT SHALL PREPARE SITE SPECIFIC DOCUMENTS FOR USE WITH THIS DOCUMENT.



FL #:  
**FL39881**

DATE: **10.11.21**

DWG. BY: **ER** | CHK. BY: **HFN**


SCALE: **NTS**

DWG. #: **ECI032**

SHEET:  
**13**  
OF 15

s:\projects\eurowcraft industries inc\bc-22-04401.1 - fbc submittal - r139881 - series 650 residential door revision\dwgsec032 - 2022-06-06.dwg  
6/9/2022 10:16 AM

BILL OF MATERIALS				
ITEM #	PART NO.	DESCRIPTION	MATERIAL	MANUFACTURER
1	600-01	JAMBS	6063-T6	EUROCRAFT
2	600-02	HEAD	6063-T6	EUROCRAFT
3	600-03	FRAME COVER	6063-T6	EUROCRAFT
4	600-04	THRESHOLD	6063-T6	EUROCRAFT
5	600-05	2" THRESHOLD ADAPTER	6063-T6	EUROCRAFT
6	600-06	THRESHOLD COVER	6063-T6	EUROCRAFT
7	600-21	1-1/4" THRESHOLD ADAPTER	6063-T6	EUROCRAFT
8	600-09	DOOR STILE	6063-T6	EUROCRAFT
9	600-10	DOOR STILE	6063-T6	EUROCRAFT
10	600-11	TOP RAIL	6063-T6	EUROCRAFT
11	600-12	MEETING RAIL	6063-T6	EUROCRAFT
12	600-13	BOTTOM RAIL 8"	6063-T6	EUROCRAFT
13	600-15	RAIL COVER	6063-T6	EUROCRAFT
14	600-16	IG- GLAZING BEAD	6063-T6	EUROCRAFT
15	600-17	LAMINATED- GLAZING BEAD	6063-T6	EUROCRAFT
16	600-18	ASTRAGAL REINFORCEMENT	6063-T6	EUROCRAFT
17	600-19	HINGE REINFORCEMENT	6063-T5	EUROCRAFT
18	600-08	SHEAR BLOCK	6063-T5	EUROCRAFT
19	B027300E	SETTING BLOCK	TPV	EXTRUSIONES, MPI
20	T045152EF	GASKET	EPDM, TPV	EXTRUSIONES, MPI
21	C041262EF	GASKET	EPDM, TPV	EXTRUSIONES, MPI
22	600-14	ASTRAGAL ADAPTER	6063-T6	EUROCRAFT
23	FB-017-WH	BUTT HINGES	ALUMINUM	BY SULLIVAN
24	M93310000	BUTT HINGES	ALUMINUM	BY DR HAHN
25	GAB-R750-04	ELECTRONIC KEYLESS SMART DOOR MORTISE LOCK	ZINC ALLOY	GAAB
27	#12 X 1-1/2"	ASSEMBLING SCREW #12 x 1.5 STAINLESS STEEL	STAINLESS STEEL	-
28	#12 X 3/4"	ASSEMBLING SCREW #12 X 0.75	STAINLESS STEEL	-
29	#10 X 1-1/2"	ASSEMBLING SCREW THRESHOLD #10 x 1.5	STAINLESS STEEL	-
30	-	GRADE 2 CYLINDRICAL LOCK	-	-
31	-	GRADE 2 DEADBOLT	-	-
32	FB-1208	FLUSH BOLT	ALUMINUM	SULLIVAN
33	W13191NK000B	PILE WEATHERSEALS ULTRAFAB	-	ULTRA FAB
34	FBR-914-SS	1/4" x 2" BOLT AND NUT	STAINLESS STEEL	SULLIVAN
35	5511-01/02	FLUSH BOLT	ALUMINUM	GAAB
36	-	THREE POINT LOCK BY INTERLOCK	-	INTERLOCK
37	-	FRAME FILLER	ALUMINUM	EUROCRAFT



7905 NW 77TH AVE  
MEDLEY, FL 33166  
PH: (305) 713-1871FX: (305) 713-1872

---

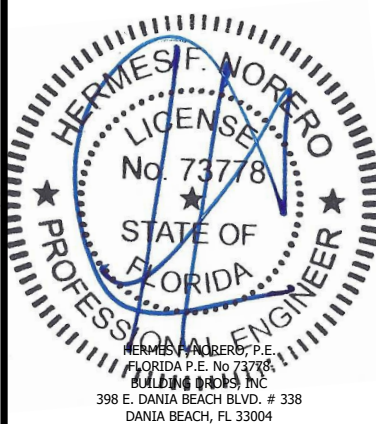
TITLE: SERIES 650 OUTSWING  
RESIDENTIAL DOOR  
(HVHZ)(IMPACT)  
BILL OF MATERIALS

PREPARED BY:  
**BUILDING DROPS, INC.**  
398 E. DANIA BEACH BLVD., STE. 338  
DANIA BEACH, FL 33004  
PH: (954)399-8478  
FAX: (954)744-4738  
WEB: www.buildingdrops.com

---

REMARKS	BY	DATE
HARDWARE UPDATE	SH	6.6.22

THE INSTALLATION DETAILS DESCRIBED HEREIN ARE GENERIC AND MAY NOT REFLECT ACTUAL CONDITIONS FOR A SPECIFIC SITE. IF SITE CONDITIONS CAUSE INSTALLATION TO DEVIATE FROM THE REQUIREMENTS DETAILED HEREIN, A LICENSED ENGINEER OR ARCHITECT SHALL PREPARE SITE SPECIFIC DOCUMENTS FOR USE WITH THIS DOCUMENT.



HERMES F. NORERO, P.E.  
FLORIDA P.E. No. 73778  
BUILDING DROPS, INC.  
398 E. DANIA BEACH BLVD. # 338  
DANIA BEACH, FL 33004  
FBPE CERT. OF AUTHORIZATION No. 29578

---

FL #: **FL39881**

DATE: **10.11.21**

DWG. BY: <b>ER</b>	CHK. BY: <b>HFN</b>
--------------------	---------------------

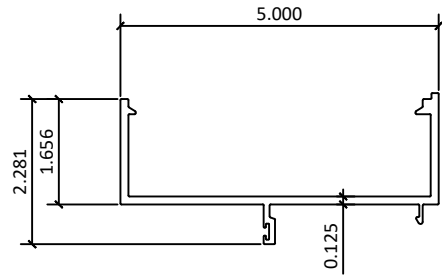
SCALE: **NTS**

DWG. #: **ECI032**

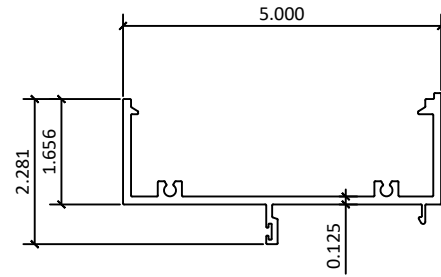
SHEET: **14**

OF 15

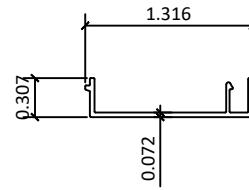
1 600-01 - JAMB



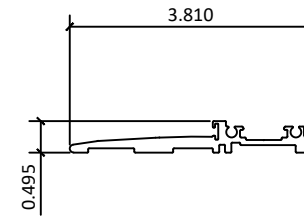
2 600-02 - HEAD



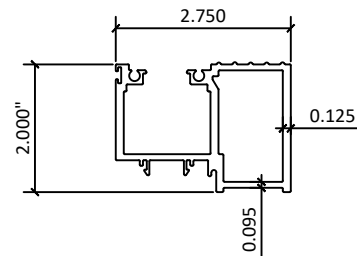
3 600-03 - FRAME COVER



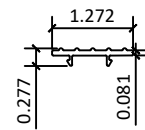
4 600-04 - THRESHOLD



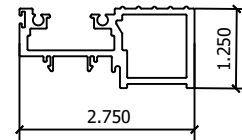
5 600-05 - 2" THRESHOLD ADAPTER



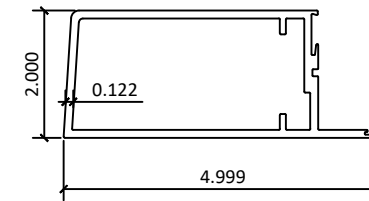
6 600-06 - THRESHOLD COVER



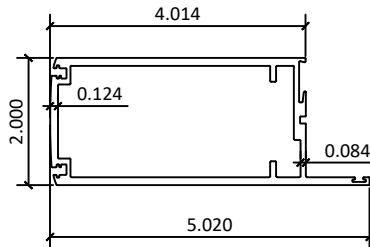
7 600-21 - 1-1/4" THRESHOLD ADAPTER



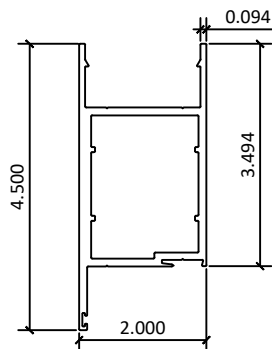
8 600-09 - DOOR STILE



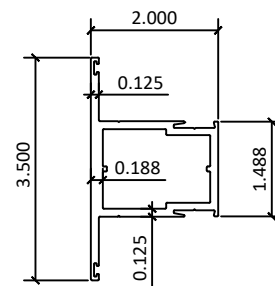
9 600-10 - DOOR STILE



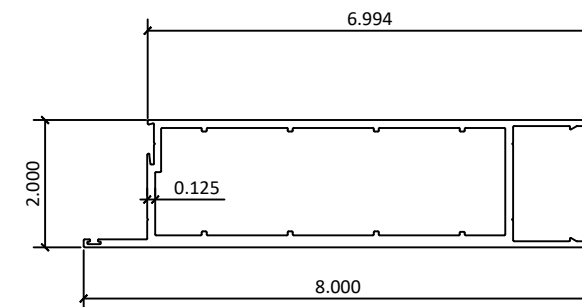
10 600-11 - TOP RAIL



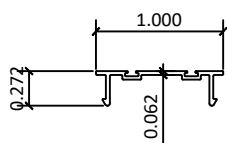
11 600-12 - MEETING RAIL - OPTIONAL



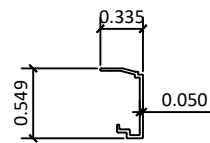
12 600-13 - BOTTOM RAIL 8"



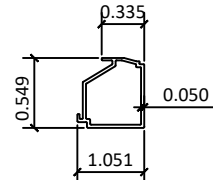
13 600-15 - RAIL COVER



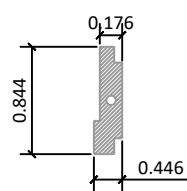
14 600-16 - IG GLAZING BEAD



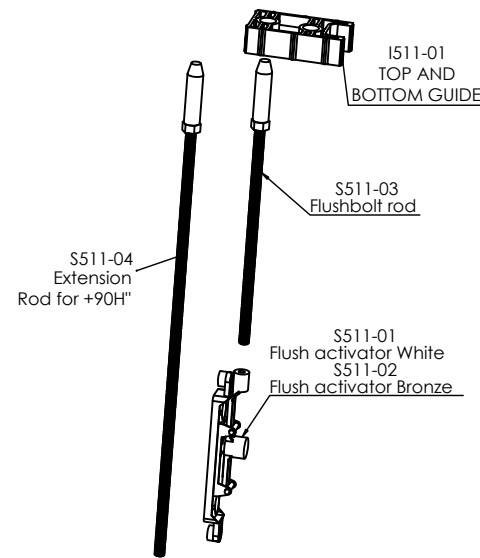
15 600-17 - LAM. GLAZING BEAD



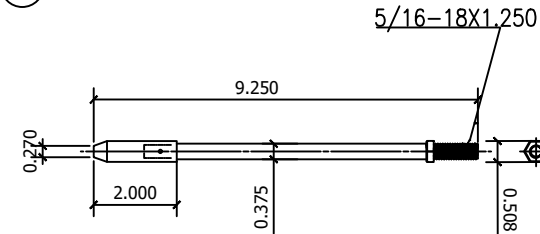
16 600-18 - ASTRAGAL REINFORCEMENT



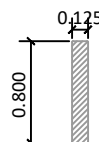
35 5511-01/02 - FLUSH BOLT



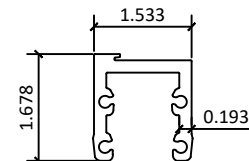
34 FBC-914-SS - BOLT & NUT



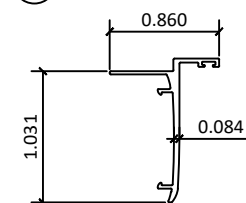
17 600-19 - HINGE REINFORCEMENT



18 600-08 - SHEAR BLOCK



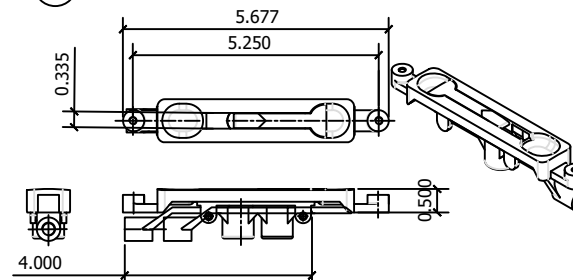
22 600-14 - ASTRAGAL ADAPTER



37 FRAME FILLER



32 FB-1208 - FLUSH BOLT



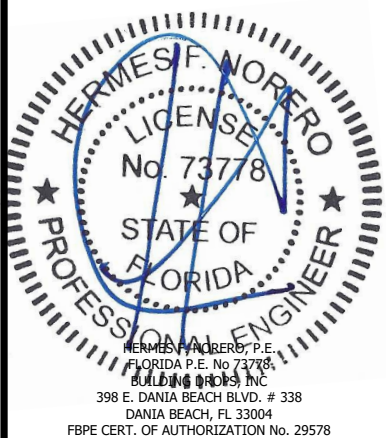
7905 NW 77TH AVE  
MEDLEY, FL 33166  
PH: (305) 713-1871FX: (305) 713-1872

TITLE: SERIES 650 OUTSWING  
RESIDENTIAL DOOR  
(HVHZ)(IMPACT)  
COMPONENTS

PREPARED BY:  
**B.D.**  
BUILDING DROPS  
BUILDING DROPS, INC.  
398 E. DANIA BEACH BLVD., STE. 338  
DANIA BEACH, FL 33004  
PH: (954)399-8478  
FAX: (954)744-4738  
WEB: www.buildingdrops.com

REMARKS	BY	DATE
HARDWARE UPDATE	SH	6.6.22

THE INSTALLATION DETAILS DESCRIBED HEREIN ARE GENERIC AND MAY NOT REFLECT ACTUAL CONDITIONS FOR A SPECIFIC SITE. IF SITE CONDITIONS CAUSE INSTALLATION TO DEVIATE FROM THE REQUIREMENTS DETAILED HEREIN, A LICENSED ENGINEER OR ARCHITECT SHALL PREPARE SITE SPECIFIC DOCUMENTS FOR USE WITH THIS DOCUMENT.



FL #: **FL39881**

DATE: **10.11.21**

DWG. BY: **ER** | CHK. BY: **HFN**

SCALE: **NTS**

DWG. #: **ECI032**

SHEET:

**15**  
OF 15

s:\projects\eurocraft\_industries inc\fbcc-22-04401.1 - fbc submittal - r139881-series 650 residential door revision\dwgsetec032 - 2022-06-06.dwg