

NOTE: TYPICAL V200 SINGLE HUNG - INSTALLATION INSTRUCTIONS - Non-Impact

Contents

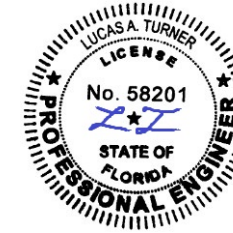
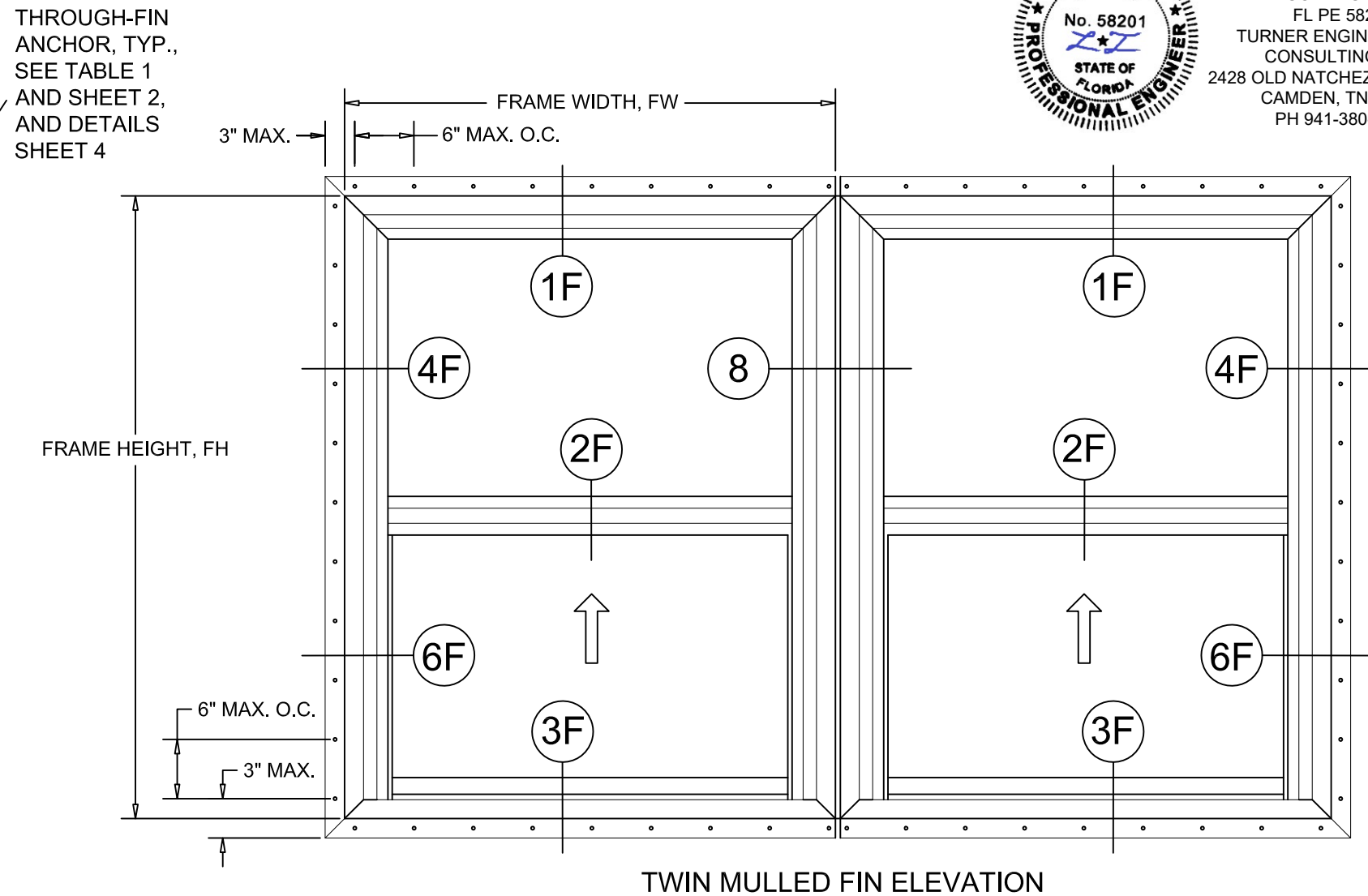
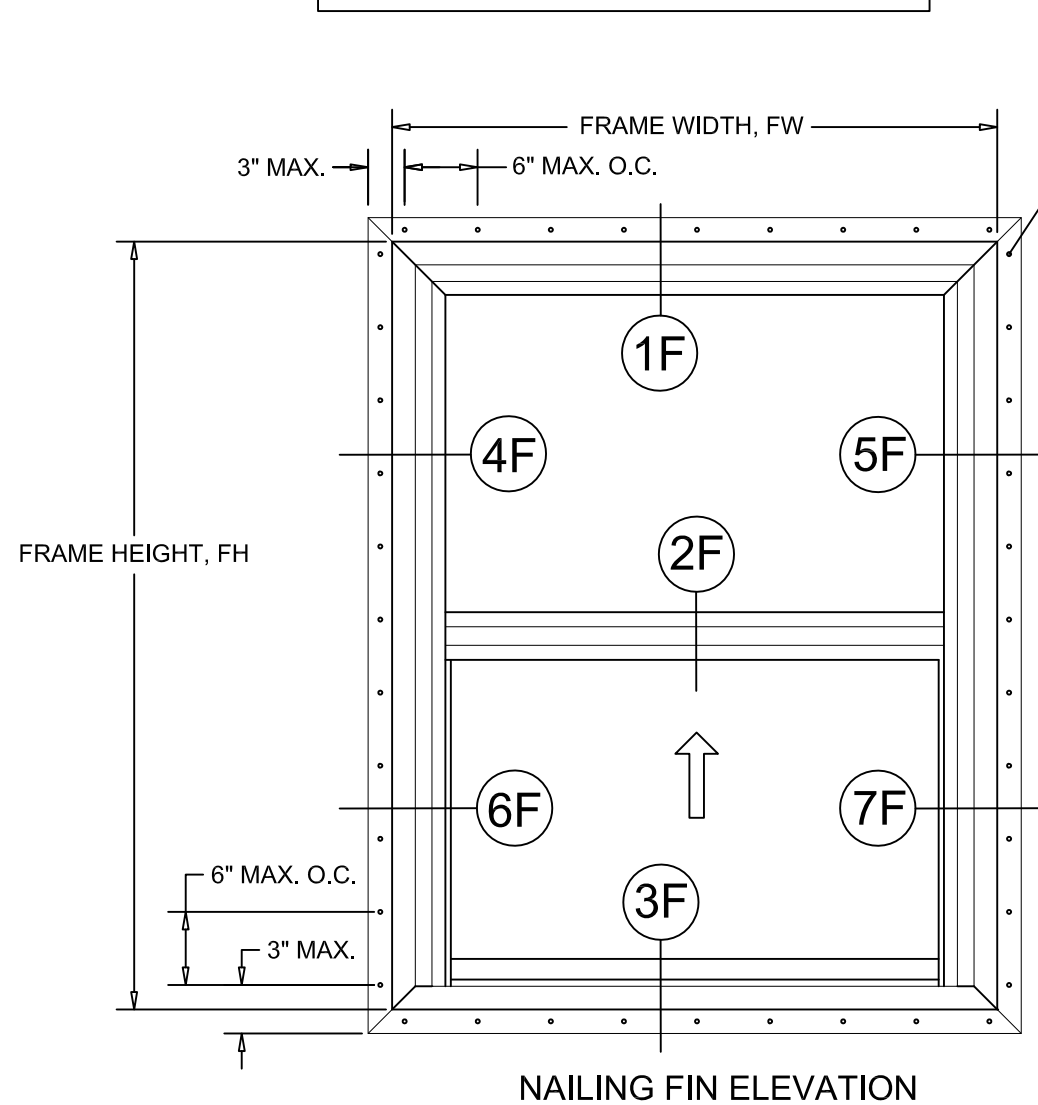
Sheet 1	Nailing Fin Elevations and Notes
Sheet 2	Trim & Clip Elevations, Table 1, and Mull Detail
Sheet 3	Nailing Fin Install
Sheet 4	Trim & Clip Install

Maximum						Design Pressure (ASD)
FW	FH	Sash DLO		Fixed DLO		
		Width	Height	Width	Height	
40"	63"	34-3/8"	27-13/16"	35"	28-7/16"	± 35 PSF

3/4" Insulating Glass
Min. Two lites 1/8" Annealed
Glass with 1/2" Spacer

NOTES:

1. This product approval applicable to Manchester and Crusader product designations (Crusader shown in details). Installations depicted satisfy the requirements of the Florida Building Code, Building 8th Edition (2023) for the design wind pressures and overall sizes noted.
2. Wood bucks, wood framing, steel stud or aluminum substrates, and concrete and concrete masonry are by others and shall be designed by the architect or engineer of record to resist the loads imparted to them.
3. 2X wood bucks are required when installing nail fin frames in concrete or masonry openings. For trim and clip installations, wood bucks are optional for concrete or masonry wall construction. Where used, buck width shall be greater than the window frame width. Tapered or partial width buck strips are not allowed.
4. Wood screws shall be corrosion resistant and meet the requirements of ANSI/ASME B18.6.1
5. Self-drilling screws shall be corrosion resistant and shall be ASTM A510 Grade 1018 or equivalent.
6. Maximum shim space permitted is 1/4". Shims shall be non-compressible and load bearing type.
7. All interior and exterior perimeter surfaces of the window must be caulked. Sealing and flashing strategies and overall water performance of the installed product are by others and not addressed by this product approval.
8. Products are non-impact resistant and require approved protection devices if used in wind-borne debris regions.
9. Not for use in High Velocity Hurricane Zone (HVHZ).



7/27/2023
LUCAS TURNER
FL PE 58201
TURNER ENGINEERING & CONSULTING, INC.
2428 OLD NATCHEZ TRACE TRL.
CAMDEN, TN. 38320
PH 941-380-1574

Project Name:

**V200 SINGLE HUNG
Installation Instructions**

GEN. NOTES, FIN ELEV.

Description:

QUAKER WINDOW PRODUCTS WILL NOT BE RESPONSIBLE FOR FIELD MEASUREMENT QUANTITIES, & INSTALLATION DESIGN. CONTRACTOR MUST VERIFY ALL DIMENSIONS.

PHONE (573)-744-5211
FAX (573)-744-5586
COMMERCIAL
www.quakerwindows.com

Scale: NONE

Sheet #: 1 of 4

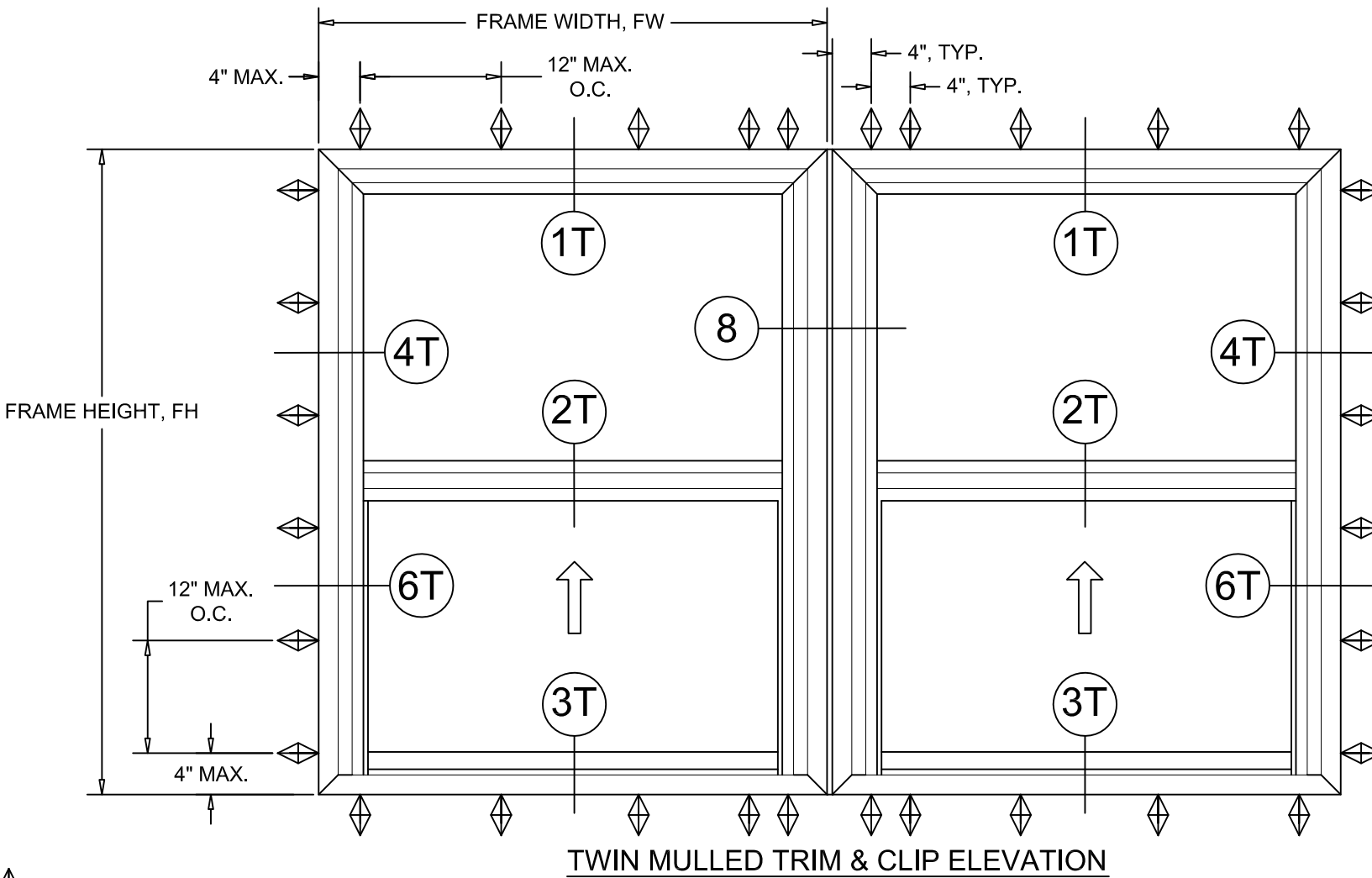
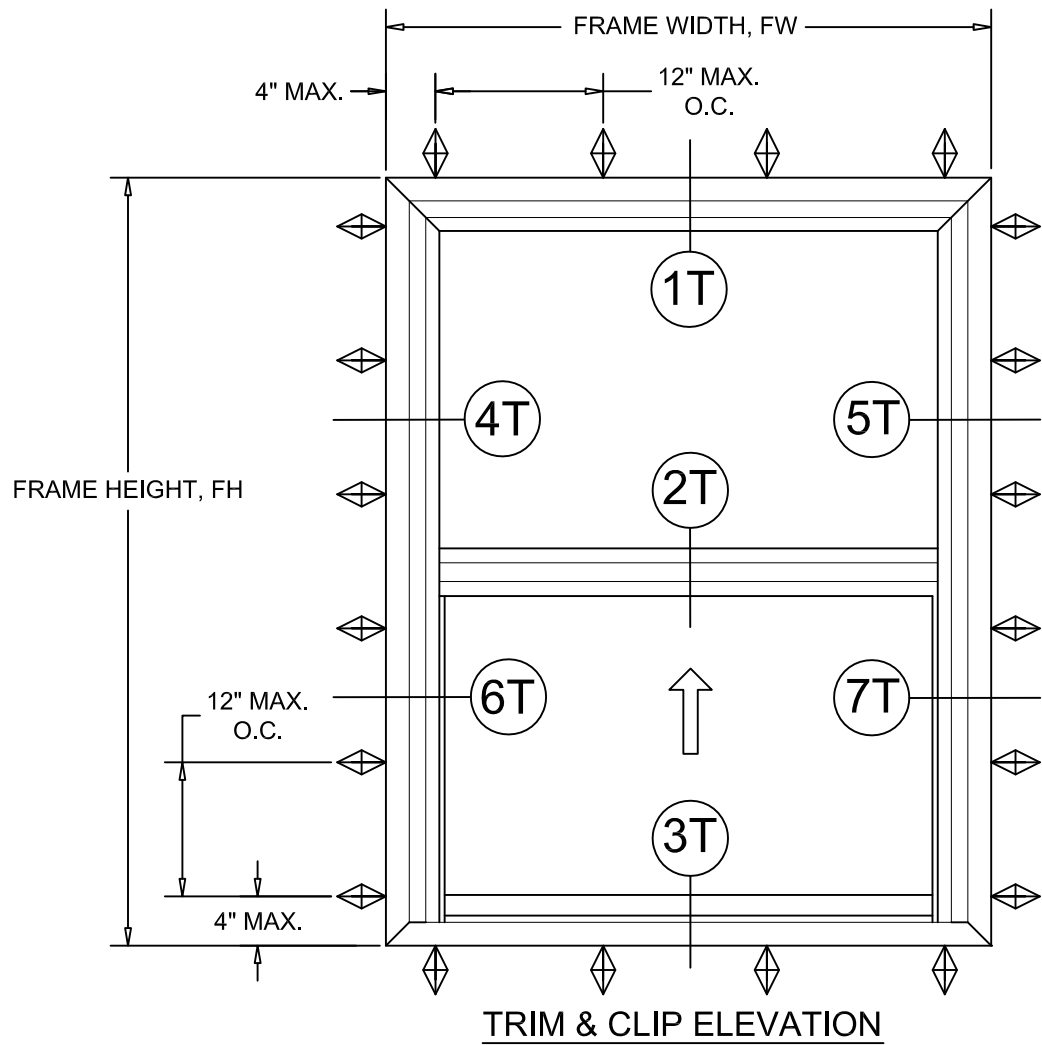


Drawn By: Bud

Date: 07-10-2023

504 Highway 63 South
Freeburg, MO 65035
drafting@quakerwindows.com

NOTE: TYPICAL V200 SINGLE HUNG - INSTALLATION INSTRUCTIONS - Non-Impact

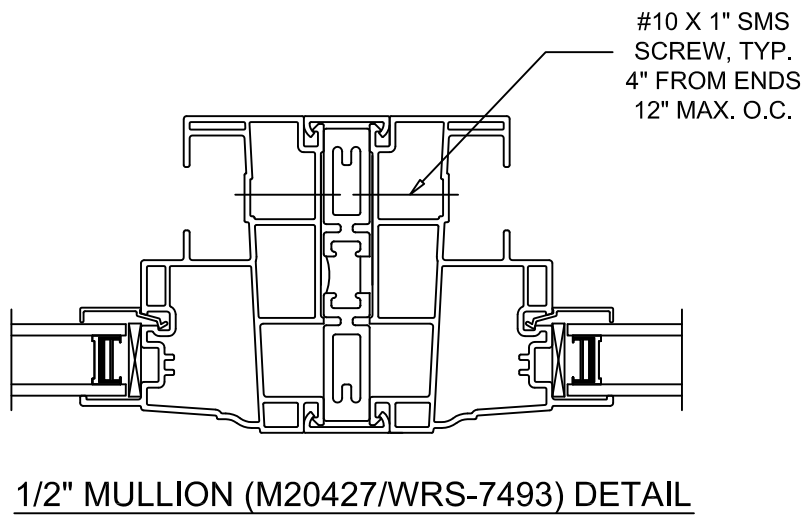


ANCHOR THROUGH CLIP, SEE TABLE 1 THIS SHEET, AND DETAILS SEE SHEET 4

TABLE 1: FRAME INSTALLATION ANCHOR REQUIREMENTS TABLE

ID	SUBSTRATE TYPE	ANCHOR TYPE	MIN. EMBED.	MIN. EDGE DIST., TRIM/CLIP	MIN. EDGE DIST., FIN
A	SPRUCE-PINE-FIR WOOD (G=0.42 MIN.)	#10 WOOD SCREW	1-1/2"	1"	1/2"
B	CONCRETE (2.0 KSI MIN)	3/16" ITW TAPCON	1"	1 1/8"	N/A
C	HOLLOW OR GROUT-FILLED CMU (117 PCF MIN.)	3/16" ITW TAPCON	1"	2"	N/A
D	16 GAUGE (0.060") MIN. STEEL STUD, 33KSI YIELD MIN., OR 1/8" ALUM. 6063-T5 MIN.	#10-16 HILTI KWIK-FLEX OR ITW TEKS	FULL *	1/2"	1/2"

* FULL THREAD ENAGEMENT THROUGH METAL WALL, WITH 3 THREADS MIN. BEYOND



Project Name: **V200 SINGLE HUNG Installation Instructions**

Description: **TRIM/CLIP ELEV., ANCH. TABLE**

QUAKER WINDOW PRODUCTS WILL NOT BE RESPONSIBLE FOR FIELD MEASUREMENT, QUANTITIES, & INSTALLATION DESIGN. CONTRACTOR MUST VERIFY ALL DIMENSIONS.

PHONE (573)-744-5211
FAX (573)-744-5586
COMMERCIAL
FAX (573)-744-5822
www.quakerwindows.com

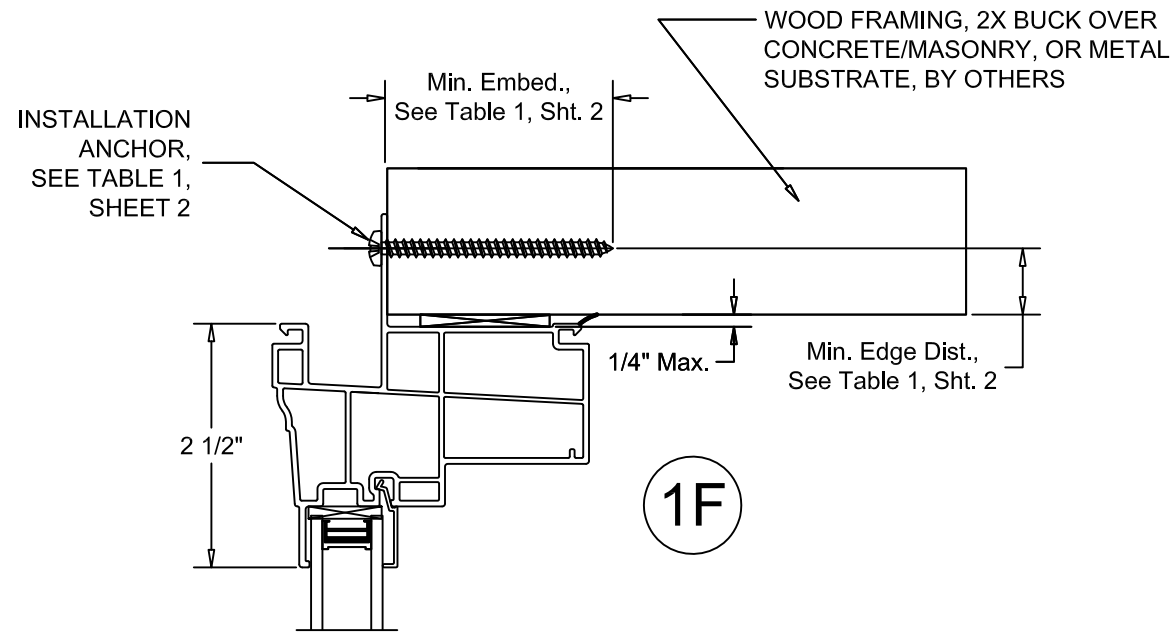
Scale: **NONE**
Sheet #: **2 of 4**

Drawn By: **Bud**
Date: **07-10-2023**

504 Highway 63 South
Freeburg, MO 65035
drafting@quakerwindows.com

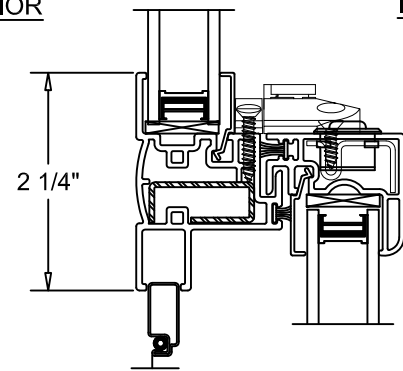
7/27/2023
LUCAS TURNER
FL PE 58201
TURNER ENGINEERING & CONSULTING, INC.
2428 OLD NATCHEZ TRACE TRL.
CAMDEN, TN, 38320
PH 941-380-1574

NOTE: TYPICAL V200 SINGLE HUNG - NAIL FIN INSTALLATION - Non-Impact



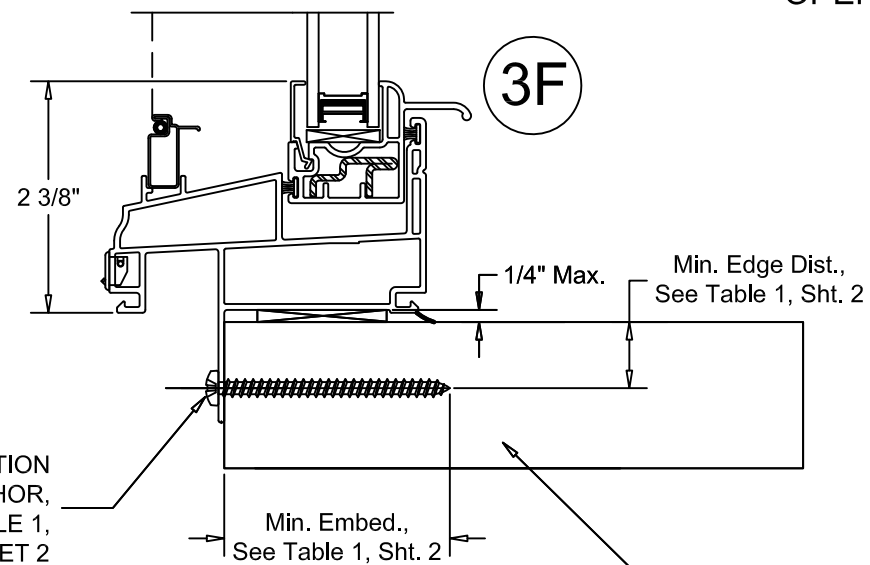
1F

EXTERIOR INTERIOR



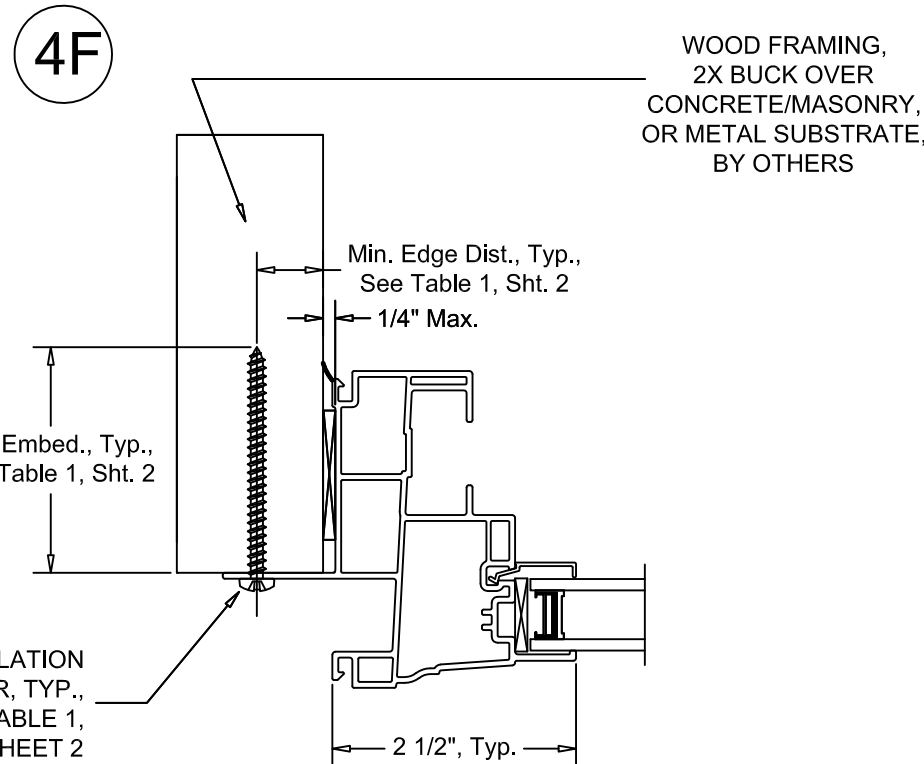
2F

NOTE: 2X WOOD BUCK IS REQUIRED FOR NAILING FIN INSTALLATION TO CONCRETE / MASONRY OPENINGS



3F

VERTICAL SECTION DETAIL
NAILING FIN INSTALLATION



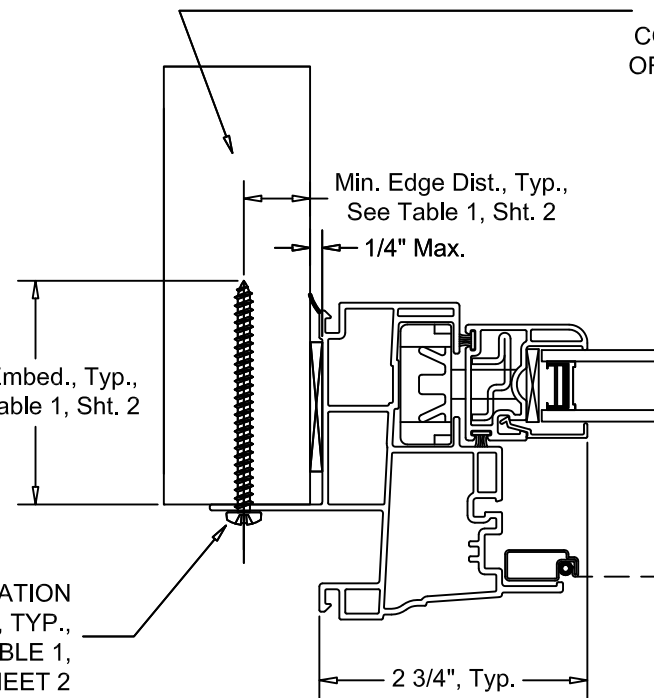
4F

INSTALLATION ANCHOR, TYP., SEE TABLE 1, SHEET 2

2 1/2", Typ.

WOOD FRAMING, 2X BUCK OVER CONCRETE/MASONRY, OR METAL SUBSTRATE, BY OTHERS

INTERIOR



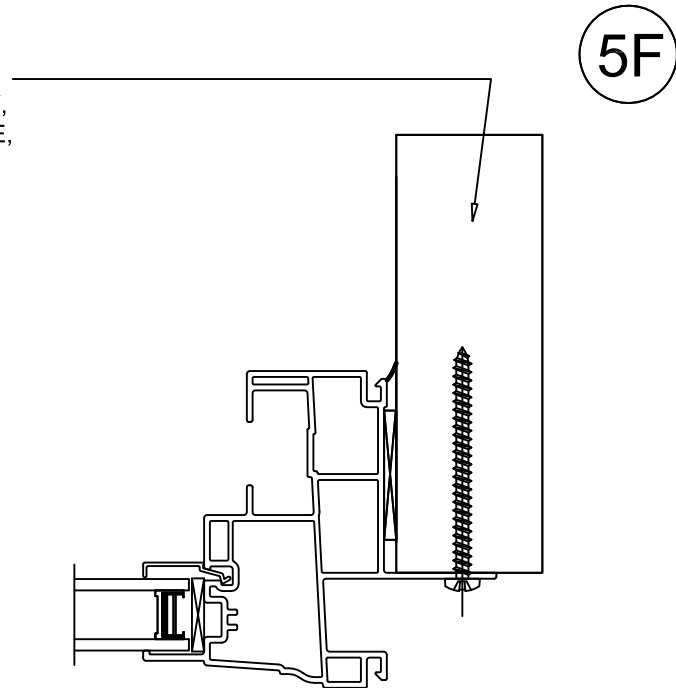
6F

INSTALLATION ANCHOR, TYP., SEE TABLE 1, SHEET 2

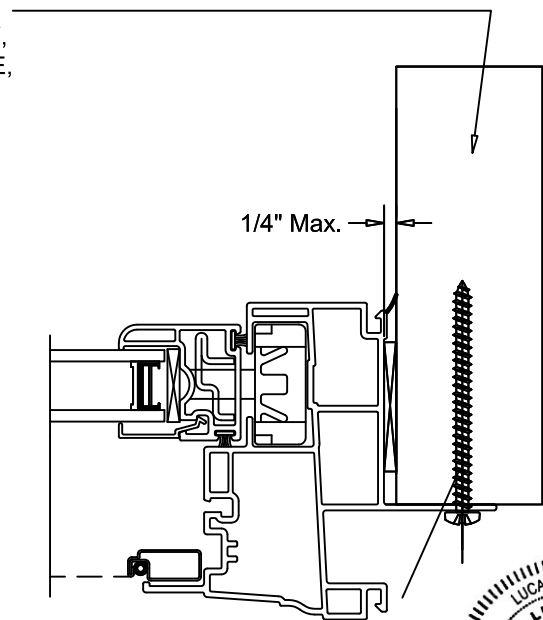
2 3/4", Typ.

EXTERIOR

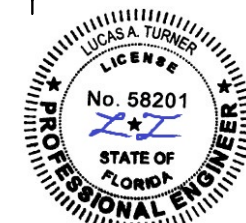
HORIZONTAL SECTION DETAIL
NAILING FIN INSTALLATION



5F



7F



7/27/2023
LUCAS TURNER
FL PE 58201
TURNER ENGINEERING & CONSULTING, INC.
2428 OLD NATCHEZ TRACE TRL.
CAMDEN, TN, 38320
PH 941-380-1574

Project Name:

V200 SINGLE HUNG
Installation Instructions

GEN. NOTES, FIN ELEV.

Description:

QUAKER WINDOW PRODUCTS WILL NOT BE RESPONSIBLE FOR FIELD MEASUREMENT QUANTITIES, & INSTALLATION DESIGN. CONTRACTOR MUST VERIFY ALL DIMENSIONS.

PHONE (573)-744-5211
FAX (573)-744-5586

COMMERCIAL
FAX (573)-744-5822
www.quakerwindows.com

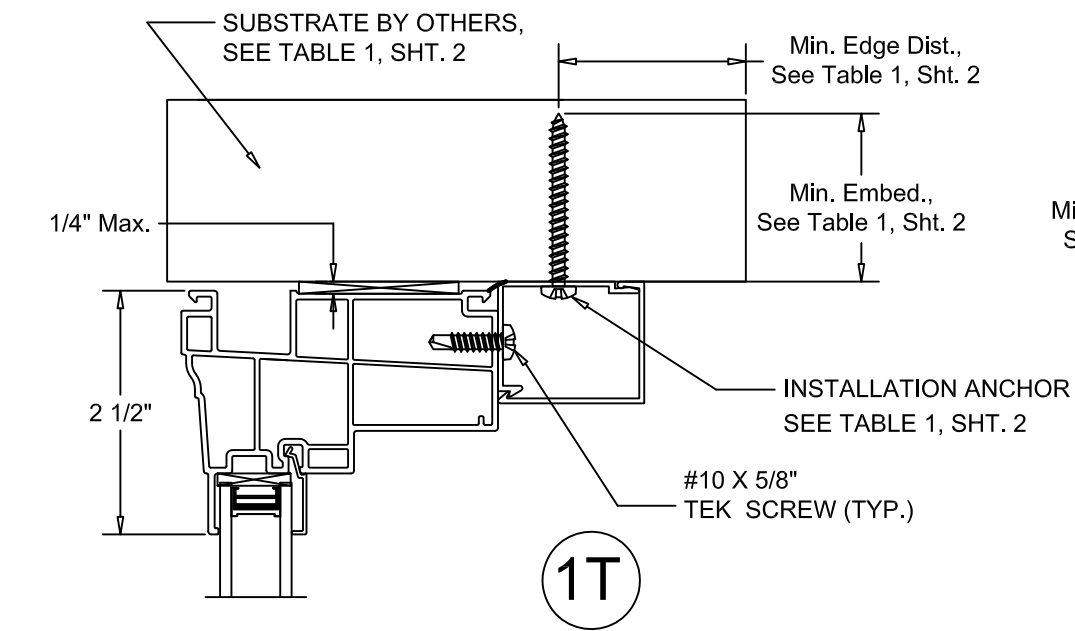
Scale: NONE
Sheet #: 3 of 4

QUAKER
COMMERCIAL WINDOW AND DOOR

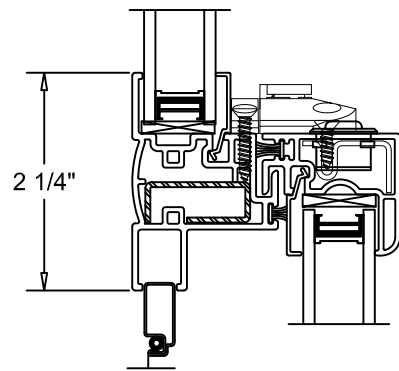
504 Highway 63 South
Freeburg, MO 65035
drafting@quakerwindows.com

Drawn By: Bud
Date: 07-10-2023

NOTE: TYPICAL V200 SINGLE HUNG - TRIM & CLIP INSTALLATION - Non-Impact

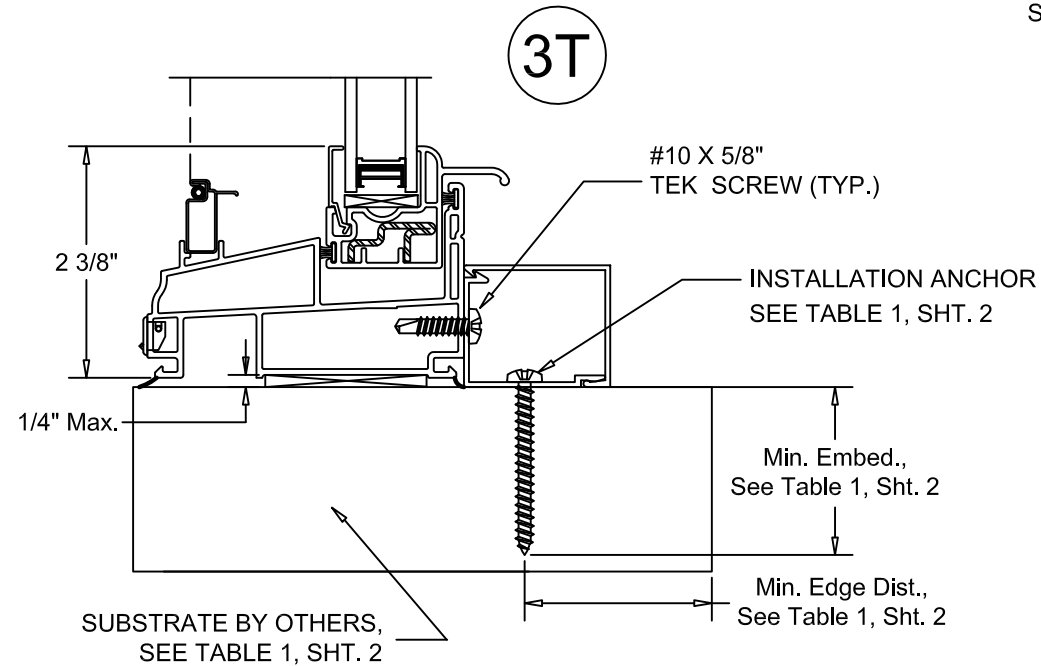


EXTERIOR INTERIOR



1T

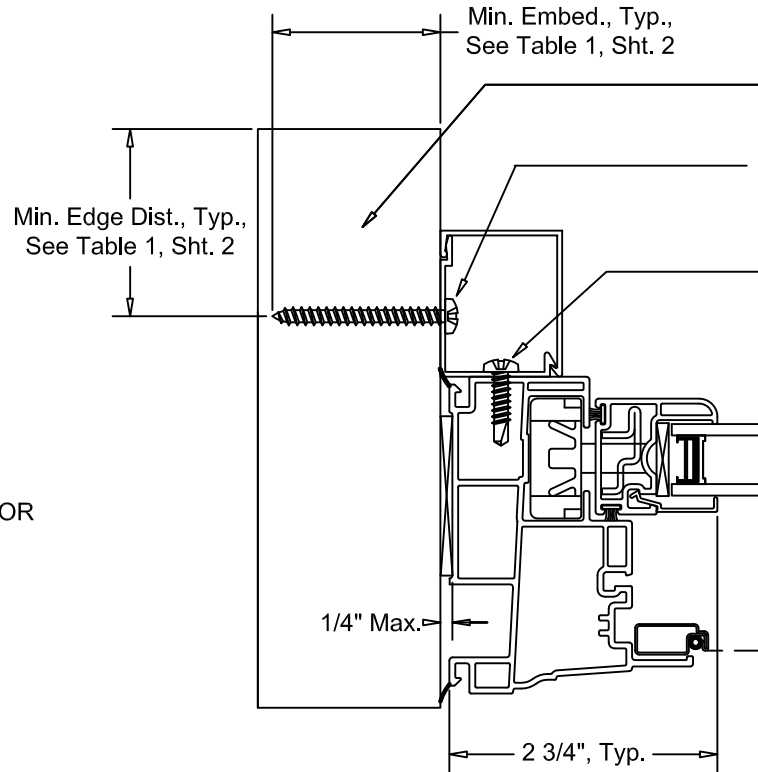
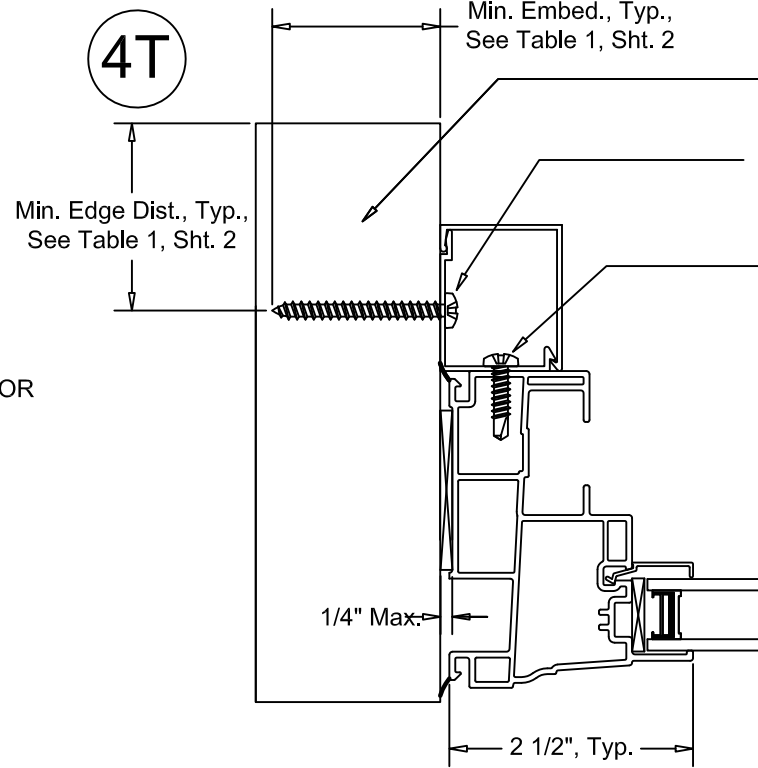
2T



3T

VERTICAL SECTION DETAIL

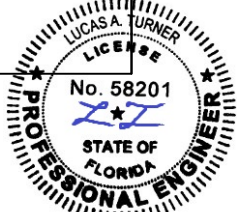
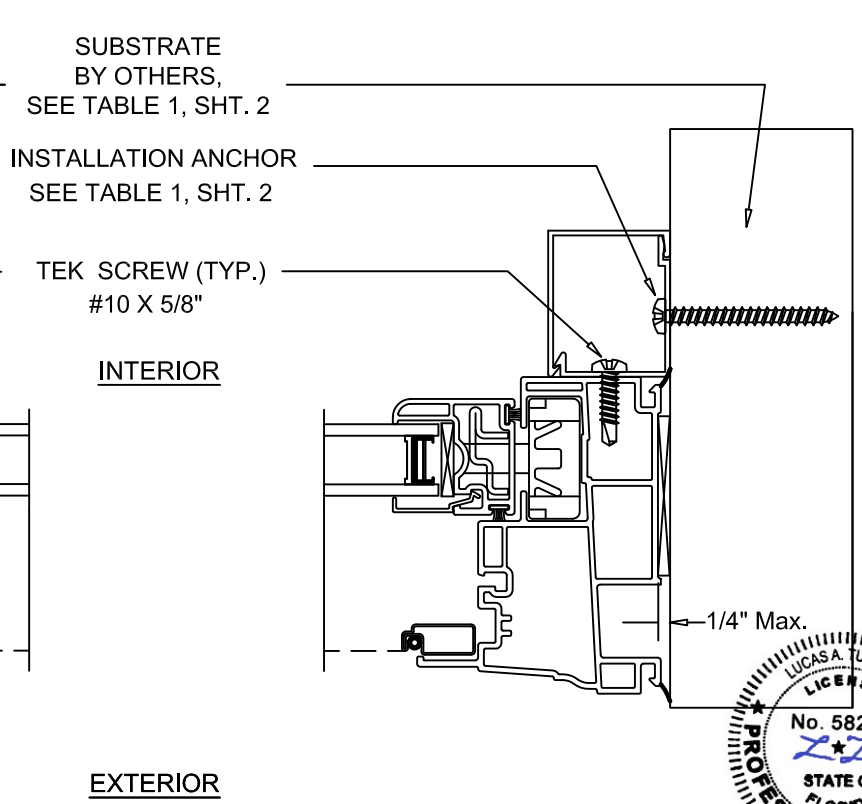
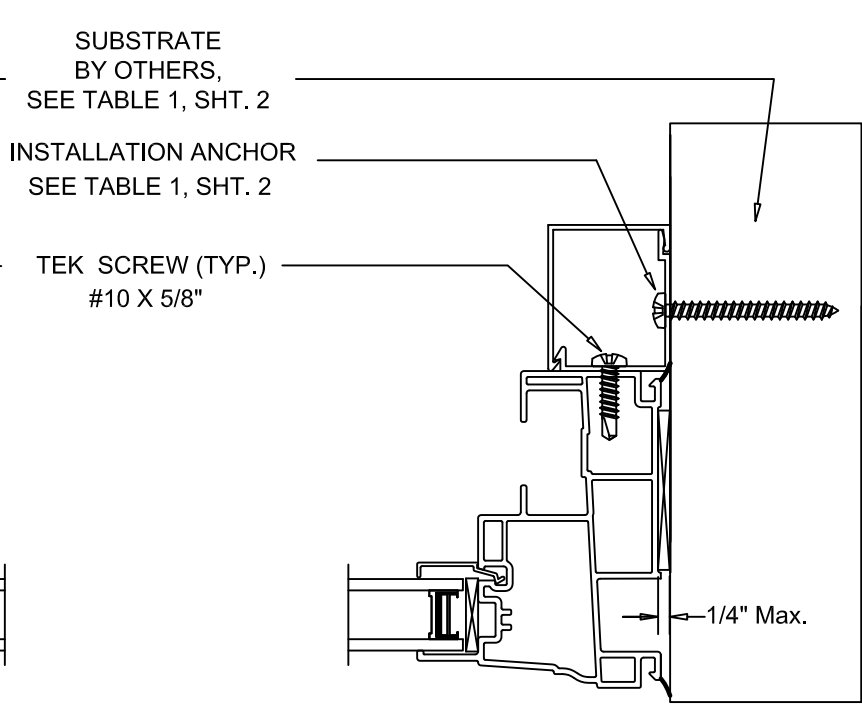
TRIM AND CLIP INSTALLATION



6T

HORIZONTAL SECTION DETAIL

TRIM AND CLIP INSTALLATION



7/27/2023
 LUCAS TURNER
 FL PE 58201
 TURNER ENGINEERING &
 CONSULTING, INC.
 2428 OLD NACHEZ TRACE TRL.
 CAMDEN, TN, 38320
 PH 941-380-1574

Project Name:

GEN. NOTES, FIN ELEV.

QUAKER WINDOW PRODUCTS
 WILL NOT BE RESPONSIBLE
 FOR FIELD MEASUREMENT
 QUANTITIES, & INSTALLATION
 DESIGN. CONTRACTOR MUST
 VERIFY ALL DIMENSIONS.

Description:

PHONE (573)-744-5211
 FAX (573)-744-5586
 COMMERCIAL
 FAX (573)-744-5822
 www.quakerwindows.com

Scale: NONE
 Sheet #: 4 of 4

Drawn By: Bud
 Date: 07-10-2023



V200 SINGLE HUNG
 Installation Instructions