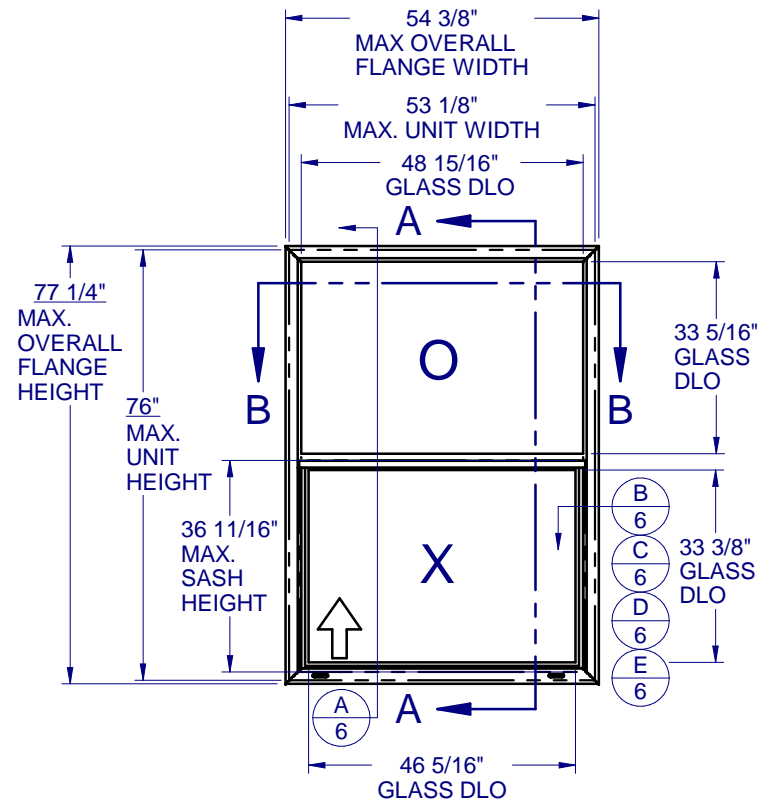
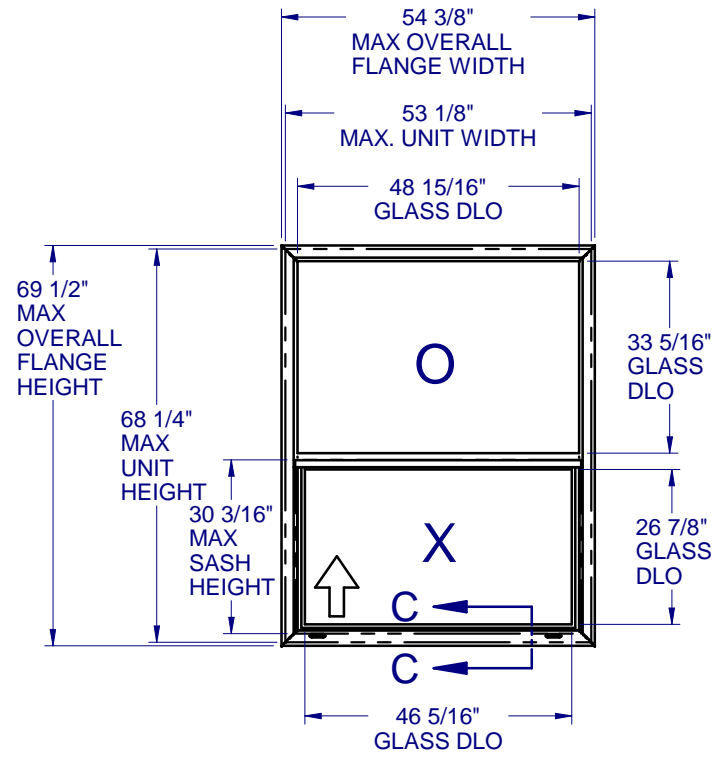


SINGLE HUNG - NON-IMPACT

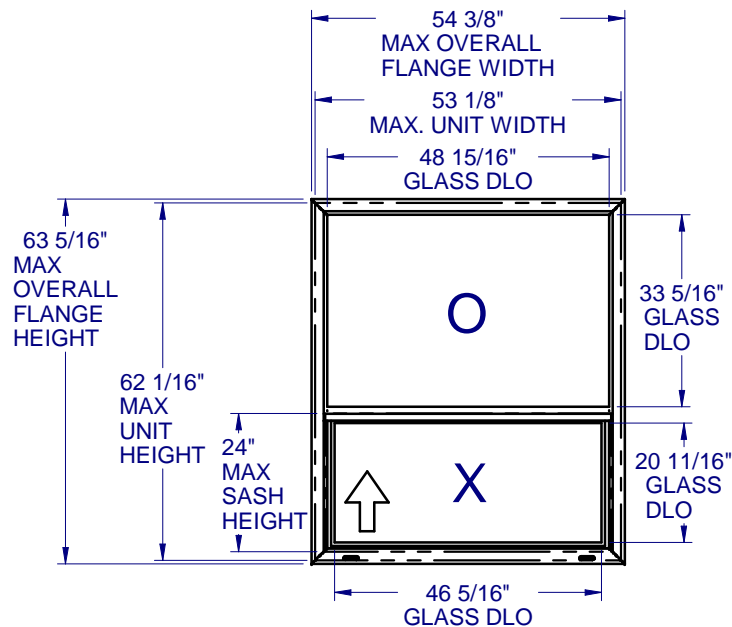
(SHOWN w/DIFFERENT OPTIONS)



EQUAL SPLIT



5 HI SASH ORIEL



60/40 SPLIT ORIEL

TABLE OF CONTENTS

GENERAL NOTES & ELEVATIONS.....1
 COMP. ANALYSIS & GLAZING DETAILS.....2
 SECTION VIEWS.....3
 BOM & EXTRUSIONS.....4
 ANCHOR SCHEDULE & NOTES.....5
 INSTALLATION DETAILS.....6

CONFIG.	MAX. UNIT SIZE	DESIGN PRESSURE RATING	IMPACT RATING
EQUAL	53-1/8" x 76"	SEE COMPARATIVE ANALYSIS CHART, SHEET 2	NONE
5 HI ORIEL	53-1/8" x 68-1/4"		NONE
60/40 ORIEL	53-1/8" x 62-1/16"		NONE

GENERAL NOTES:

1. THE PRODUCT SHOWN HEREIN IS DESIGNED AND MANUFACTURED TO COMPLY WITH THE FLORIDA BUILDING CODE (FBC), CURRENT EDITION.
2. GLAZING OPTIONS: (SEE SHEET 2)
3. CONFIGURATIONS: "O/X".
4. DESIGN PRESSURE RATING (SEE SHEET 2):
 -NEGATIVE DESIGN LOADS BASED ON, TESTED PRESSURE AND GLASS TABLES ASTM E-1300-04e01/09.
 -POSITIVE DESIGN LOADS BASED ON, TESTED PRESSURE, WATER INFILTRATION TEST PRESSURE AND GLASS TABLES ASTM E-1300-04e01/09.
5. ANCHORAGE: THE 33 1/3% STRESS INCREASE HAS NOT BEEN USED IN THE DESIGN OF THIS PRODUCT. SEE SHEET 6 FOR ANCHOR DETAILS. WINDLOAD DURATION FACTOR Cd=1.6 WAS USED FOR WOOD ANCHOR CALCULATIONS.
6. NOT APPROVED FOR IMPACT RESISTANCE. IMPACT PROTECTIVE SYSTEM IS REQUIRED IN WIND BORNE DEBRIS REGION.
7. ALL FRAMES AND VENTS FULLY WELDED. SMALL JOINT SEAM SEALANT USED AT FIXED MEETING RAIL AND JAMB.
8. SERIES / MODEL DESIGNATION SH-8100.
9. THE DESIGNATION X AND O STAND FOR THE FOLLOWING:
 X = OPERABLE SASH, O = FIXED SASH
10. SECTION CALLOUTS APPLY TO ALL ELEVATIONS IN A SIMILAR LOCATION.
11. EXTERNAL WEEP SLOT = 1/2" x 2-1/2" LOCATED 4" FROM BOTH ENDS.



8100 PVC SINGLE HUNG NON-IMPACT

PROPRIETARY AND CONFIDENTIAL
 THE INFORMATION CONTAINED IN THIS DRAWING IS THE SOLE PROPERTY OF CUSTOM WINDOW SYSTEMS, INC. ANY REPRODUCTION IN PART OR AS A WHOLE WITHOUT THE WRITTEN PERMISSION OF CUSTOM WINDOW SYSTEMS, INC IS PROHIBITED.

FLORIDA APPROVAL NO.:
 4091

LUCAS A. TURNER, P.E.
 FL PE # 58201
 Turner Engineering & Consulting, Inc.
 2428 Old Natchez Trc Trl
 Camden, TN 38320
 PH. 941-380-1574

SHEET DESCRIPTION:

GENERAL NOTES AND ELEVATIONS

DRAWN BY: MCS	DATE: 8/23/2023
DWG #: CWS-154	REV.: I
SCALE: 1:33	SHEET 1 OF 6

Design Pressures (PSF) with Glass Types A, B, C, or D

Unit	Sash	Unit Widths (in.)										
		23 1/2	27 1/2	29 1/2	31 1/2	35 1/2	39 1/2	41 1/2	43 1/2	47 1/2	51 1/2	53 1/8
35 1/2	17	+50 / -75	+50 / -75	+50 / -75	+50 / -75	+50 / -75	+50 / -75	+50 / -75	+50 / -75	+50 / -75	+50 / -75	+50 / -75
39 1/2	19	+50 / -75	+50 / -75	+50 / -75	+50 / -75	+50 / -75	+50 / -75	+50 / -75	+50 / -75	+50 / -75	+50 / -75	+50 / -75
41 1/2	20	+50 / -75	+50 / -75	+50 / -75	+50 / -75	+50 / -75	+50 / -75	+50 / -75	+50 / -75	+50 / -75	+50 / -75	+50 / -73.1
43 1/2	21	+50 / -75	+50 / -75	+50 / -75	+50 / -75	+50 / -75	+50 / -75	+50 / -75	+50 / -75	+50 / -75	+50 / -75	+50 / -73.4
47 1/2	23	+50 / -75	+50 / -75	+50 / -75	+50 / -75	+50 / -75	+50 / -75	+50 / -75	+50 / -75	+50 / -75	+50 / -75	+50 / -68.9
51 1/2	25	+50 / -75	+50 / -75	+50 / -75	+50 / -75	+50 / -75	+50 / -75	+50 / -75	+50 / -75	+50 / -75	+50 / -72.7	+50 / -65.2
53 1/2	26	+50 / -75	+50 / -75	+50 / -75	+50 / -75	+50 / -75	+50 / -75	+50 / -75	+50 / -75	+50 / -75	+50 / -71	+50 / -63.6
55 1/2	27	+50 / -75	+50 / -75	+50 / -75	+50 / -75	+50 / -75	+50 / -75	+50 / -75	+50 / -75	+50 / -75	+50 / -69.5	+50 / -62.1
59 1/2	29	+50 / -75	+50 / -75	+50 / -75	+50 / -75	+50 / -75	+50 / -75	+50 / -75	+50 / -75	+50 / -75	+50 / -66.8	+50 / -59.5
63 1/2	31	+50 / -75	+50 / -72.9	+50 / -72	+50 / -71.6	+50 / -71.6	+50 / -71.6	+50 / -71.6	+50 / -71.6	+50 / -71.6	+50 / -64.6	+50 / -57.3
65 1/2	32	+50 / -73.2	+50 / -69.1	+50 / -68	+50 / -67.4	+50 / -67.3	+50 / -67.3	+50 / -67.3	+50 / -67.3	+50 / -67.3	+50 / -63.6	+50 / -56.4
67 1/2	33	+50 / -69.8	+50 / -65.6	+50 / -64.4	+50 / -63.7	+50 / -63.4	+50 / -63.4	+50 / -63.4	+50 / -63.4	+50 / -63.4	+50 / -62.7	+50 / -55.5
71 1/2	35	+50 / -64	+50 / -59.7	+50 / -58.3	+50 / -57.3	+50 / -56.5	+50 / -56.5	+50 / -56.5	+50 / -56.5	+50 / -56.5	+50 / -56.5	+50 / -53.9
74 3/4	36 5/8	+50 / -59.9	+50 / -55.6	+50 / -54.1	+50 / -53	+50 / -51.8	+50 / -51.7	+50 / -51.7	+50 / -51.7	+50 / -51.7	+50 / -51.7	+50 / -50.4
76	37 1/4	+50 / -58.5	+50 / -54.1	+50 / -52.6	+50 / -51.5	+50 / -50.2	+50 / -50	+50 / -50	+50 / -50	+50 / -50	+50 / -50	+50 / -50

**8100 PVC
SINGLE HUNG
NON-IMPACT**

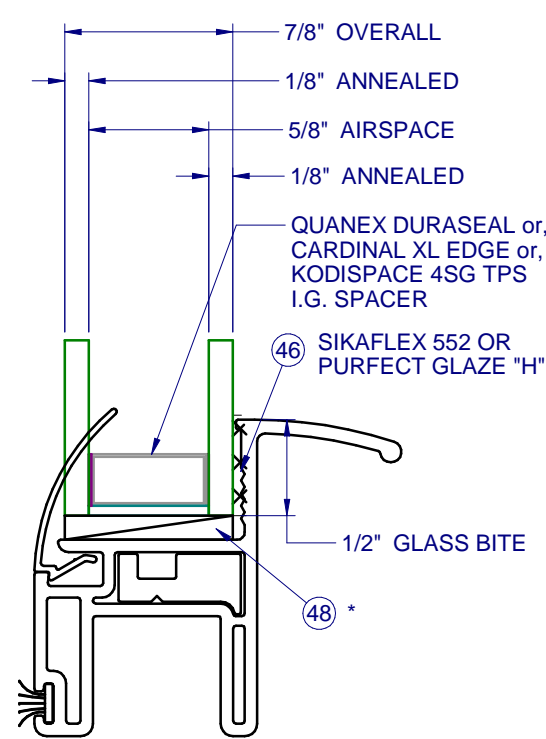
PROPRIETARY AND CONFIDENTIAL
THE INFORMATION CONTAINED IN
THIS DRAWING IS THE SOLE
PROPERTY OF CUSTOM WINDOW
SYSTEMS, INC. ANY
REPRODUCTION IN PART OR AS A
WHOLE WITHOUT THE WRITTEN
PERMISSION OF CUSTOM WINDOW
SYSTEMS, INC IS PROHIBITED.

FLORIDA APPROVAL NO.:
4091

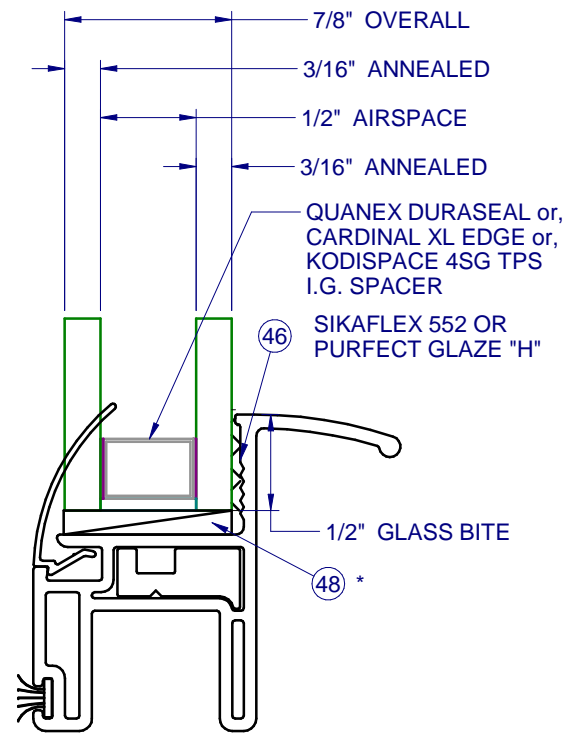
LUCAS A. TURNER, P.E.
FL PE # 58201
Turner Engineering &
Consulting, Inc.
2428 Old Natchez Trc Trl
Camden, TN 38320
PH. 941-380-1574

SHEET DESCRIPTION:
**COMPARATIVE ANALYSIS
AND GLAZING DETAILS**

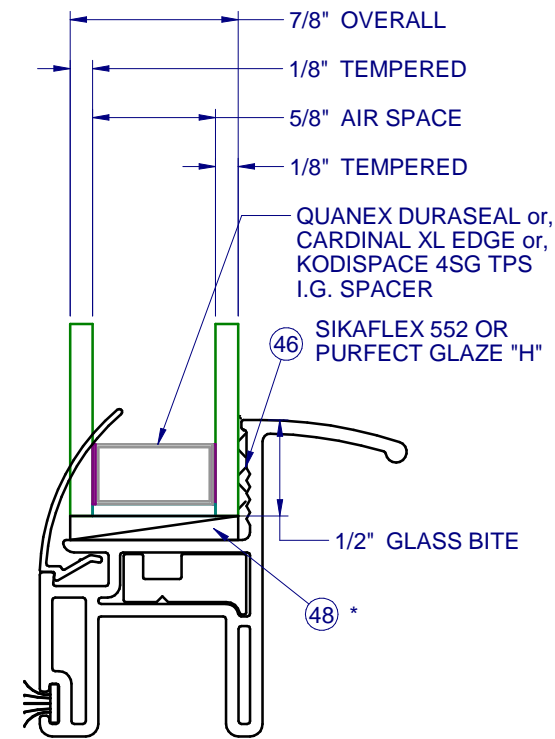
DRAWN BY: MCS	DATE: 8/23/2023
DWG #: CWS-154	REV.: I
SCALE: 1:1	SHEET 2 OF 6



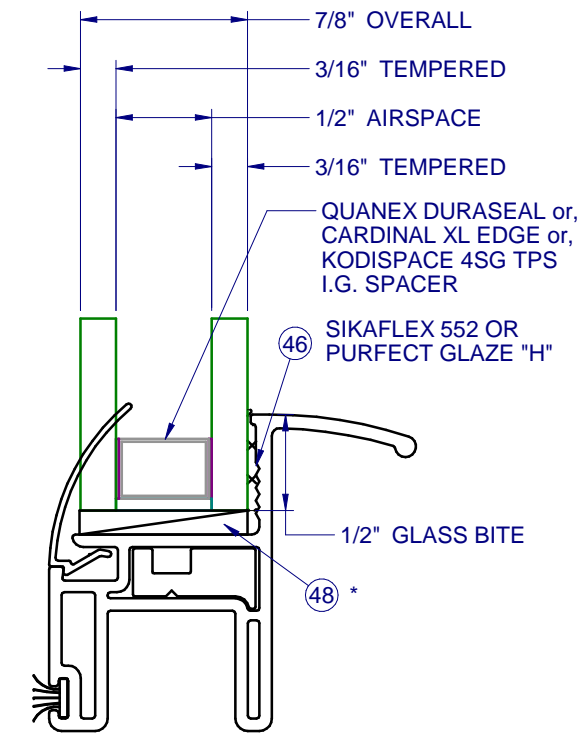
GLASS TYPE A



GLASS TYPE B



GLASS TYPE C



GLASS TYPE D

NOTE:
IF SIZE INTENDED IS NOT SHOWN, USE NEXT LARGER SIZE.

**8100 PVC
SINGLE HUNG
NON-IMPACT**

PROPRIETARY AND CONFIDENTIAL
THE INFORMATION CONTAINED IN
THIS DRAWING IS THE SOLE
PROPERTY OF CUSTOM WINDOW
SYSTEMS, INC. ANY
REPRODUCTION IN PART OR AS A
WHOLE WITHOUT THE WRITTEN
PERMISSION OF CUSTOM WINDOW
SYSTEMS, INC IS PROHIBITED.

FLORIDA APPROVAL NO.:

4091

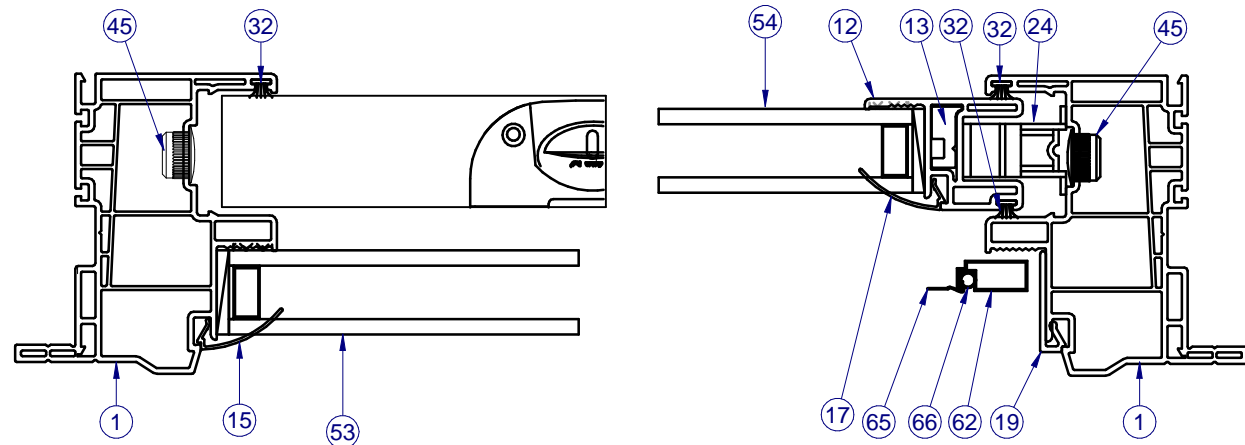
LUCAS A. TURNER, P.E.
FL PE # 58201
Turner Engineering &
Consulting, Inc.
2428 Old Natchez Trc Trl
Camden, TN 38320
PH. 941-380-1574

SHEET DESCRIPTION:

SECTION VIEWS

DRAWN BY: MCS	DATE: 8/23/2023
DWG #: CWS-154	REV.: I
SCALE: 1:2	SHEET 3 OF 6

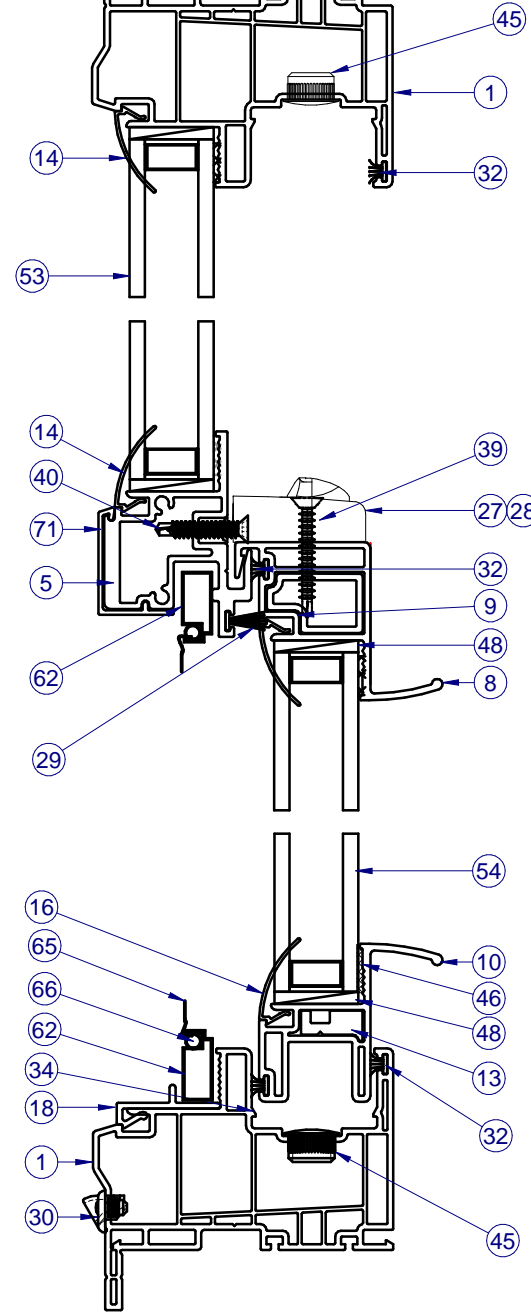
INTERIOR



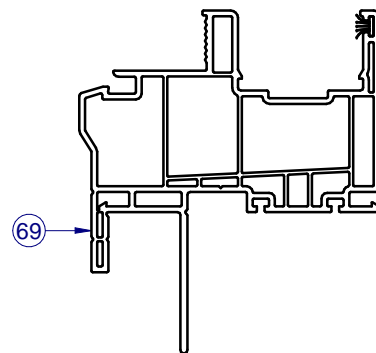
SECTION B-B

NOTE: LEFT SIDE SHOWS FIXED SECTION VIEW,
RIGHT SIDE SHOWS SASH SECTION VIEW.

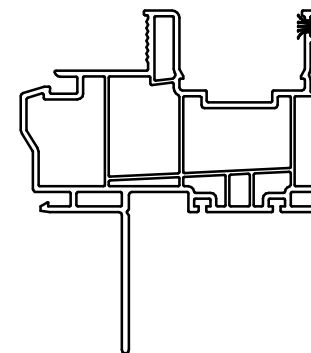
INTERIOR



SECTION A-A



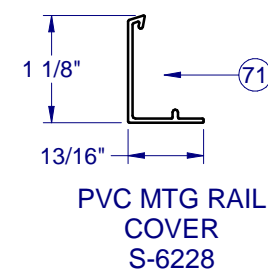
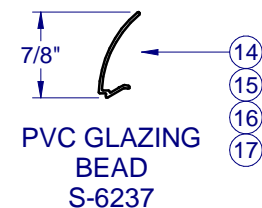
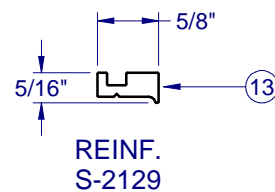
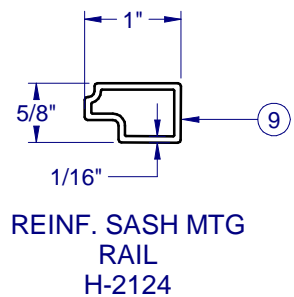
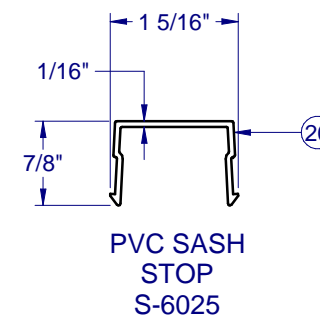
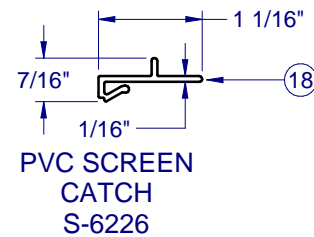
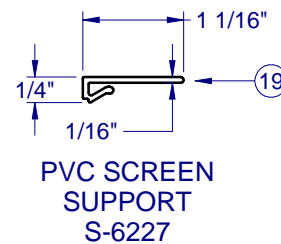
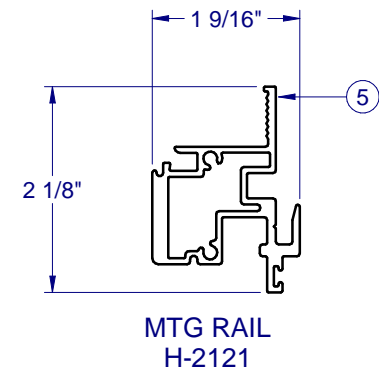
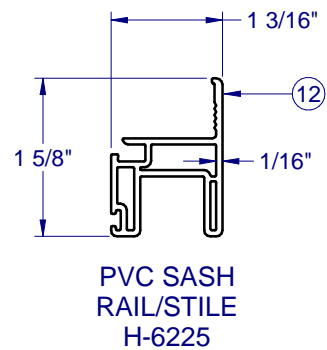
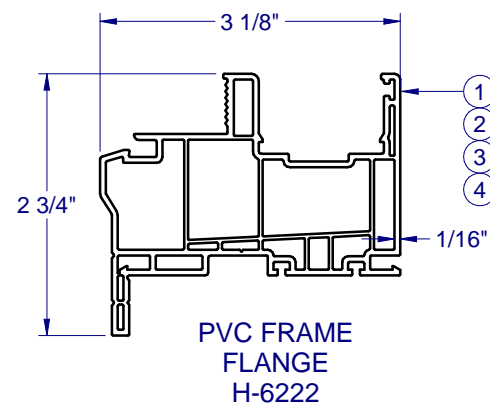
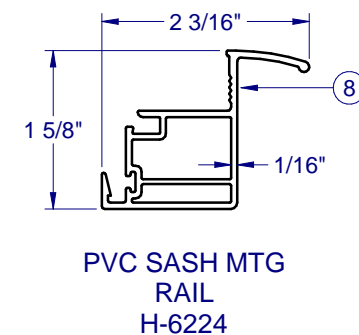
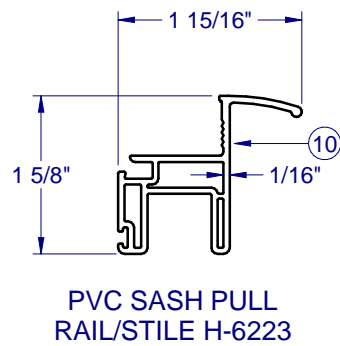
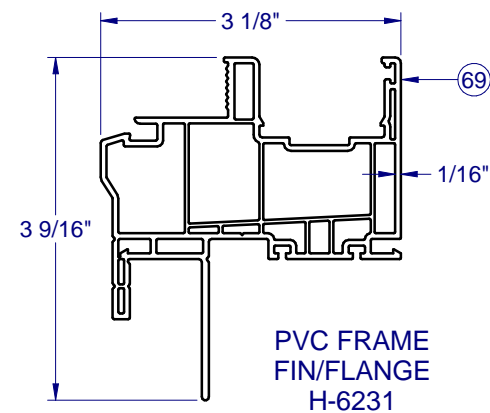
SECTION C-C
ALTERNATE FIN FRAME



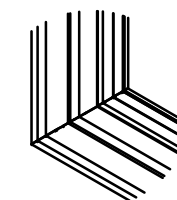
SECTION C-C
ALTERNATE FIN ONLY FRAME

NOTE: ITEMS NOT SHOWN FOR CLARITY:
20, 23, 25-26, 31, 36, 37, 44, 51-52, 55-56, 64, 67-68

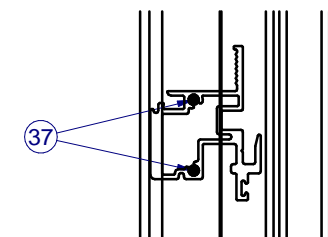
PARTS LIST			
ITEM	PART #	DESCRIPTION	MATERIAL
1	H-6222	Main Frame, SH, w/Flg., PVC	Vinyl
5	H-2121	Meet. Rail, Fxd.	Alum
8	H-6224	Sash Meet. Rail, PVC	Vinyl
9	H-2124	Reinf. Sash Meet. Rail	Alum
10	H-6223	Sash Bottom Rail, PVC	Vinyl
12	H-6225	Sash Side/Top/Bot. Rail	Vinyl
13	S-2129	Reinf. S.B.R./S.S.R	Alum
14	S-6237	Glz. Bd., 7/8", Fxd.	Vinyl
18	S-6226	Scrn. Adapt., w/Nib, PVC, Horiz.	Vinyl
19	S-6227	Scrn. Adapt., PVC, Vert.	Vinyl
20	S-5087	SASH STOP, PVC	Vinyl
24		Sash Balance	
25	P-4056	Sash Cam, PVC	Plastic
26	P-3295	Take Out Clip	SS
27	P-3783	Lock, Impact, PVC	
28	P-4069	Keeper, Impact, PVC	Zamac
30	P-4479	Weep Cover w/ Flap	Plastic
32	P-3305	Wstp., .270 x .187 High Density	
37	P-4638	#8 x 2-1/2 PH Mod. Truss Type A, Tek 2	Steel
38	P-3541	#8 x 1/2 Quadrex PH TEK	Steel
39	P-4051W	#8 x 1.250 Ph FH TEK, Wht.	Steel
40	P-3539	#8 x 3/4 PH PN, TEK, Wht	Steel
44	P-3342	Seam Sealer, SM-5504	
45	P-5588	Cap Plug, 1/2" Hole	Nylon
46		Sikaflex 552 or Purfect Glaze "H"	
48	P-5612	Setting Block, .12 x 1 x 2	Rubber
53		Glass, Fixed (See Sheet 3)	
54		Glass, Sash (See Sheet 3)	
55		Spacer (see sheet 3)	
56		Spacer (see sheet 3)	
62	P-3218	Screen Frame	Alum
64	P-4754	SCREEN CORNER KEY	Plastic
65	P-4770	30" BetterVue Insect Screen CHARCOAL	Fiberglass
66	P-5576	Screen Spline, .125" Black PE	Vinyl
68	P-3195	Screen Spring, SS	SS
69	H-6231	Main Fr., SH, w/Fin., PVC	Vinyl
71	S-6228	Fixed Rail Cover	Vinyl



FRAME CORNER CONSTRUCTION



CORNER WELD (ALL SIDES) 1:8



FIXED MEETING RAIL SCREWED TOGETHER WITH OUTERFRAME 1:8

1900 SW 44TH AVE.
OCALA, FLORIDA 34474
WWW.CWS.CC

8100 PVC SINGLE HUNG NON-IMPACT

PROPRIETARY AND CONFIDENTIAL
THE INFORMATION CONTAINED IN THIS DRAWING IS THE SOLE PROPERTY OF CUSTOM WINDOW SYSTEMS, INC. ANY REPRODUCTION IN PART OR AS A WHOLE WITHOUT THE WRITTEN PERMISSION OF CUSTOM WINDOW SYSTEMS, INC IS PROHIBITED.

FLORIDA APPROVAL NO.:
4091

LUCAS A. TURNER, P.E.
FL PE # 58201
Turner Engineering & Consulting, Inc.
2428 Old Natchez Trc Trl
Camden, TN 38320
PH. 941-380-1574

SHEET DESCRIPTION:

BOM AND EXTRUSIONS

DRAWN BY: MCS	DATE: 8/23/2023
DWG #: CWS-154	REV.: I
SCALE: 1:2	SHEET 4 OF 6

LINE ITEMS NOT USED:
6-7, 11, 21-23, 29, 31, 41-43, 47, 49-50, 57-61

NOTE: ALL EXTRUSIONS ARE ALUMINUM 6063-T6 UNLESS OTHERWISE NOTED.

**8100 PVC
SINGLE HUNG
NON-IMPACT**

PROPRIETARY AND CONFIDENTIAL
THE INFORMATION CONTAINED IN
THIS DRAWING IS THE SOLE
PROPERTY OF CUSTOM WINDOW
SYSTEMS, INC. ANY
REPRODUCTION IN PART OR AS A
WHOLE WITHOUT THE WRITTEN
PERMISSION OF CUSTOM WINDOW
SYSTEMS, INC IS PROHIBITED.

FLORIDA APPROVAL NO.:

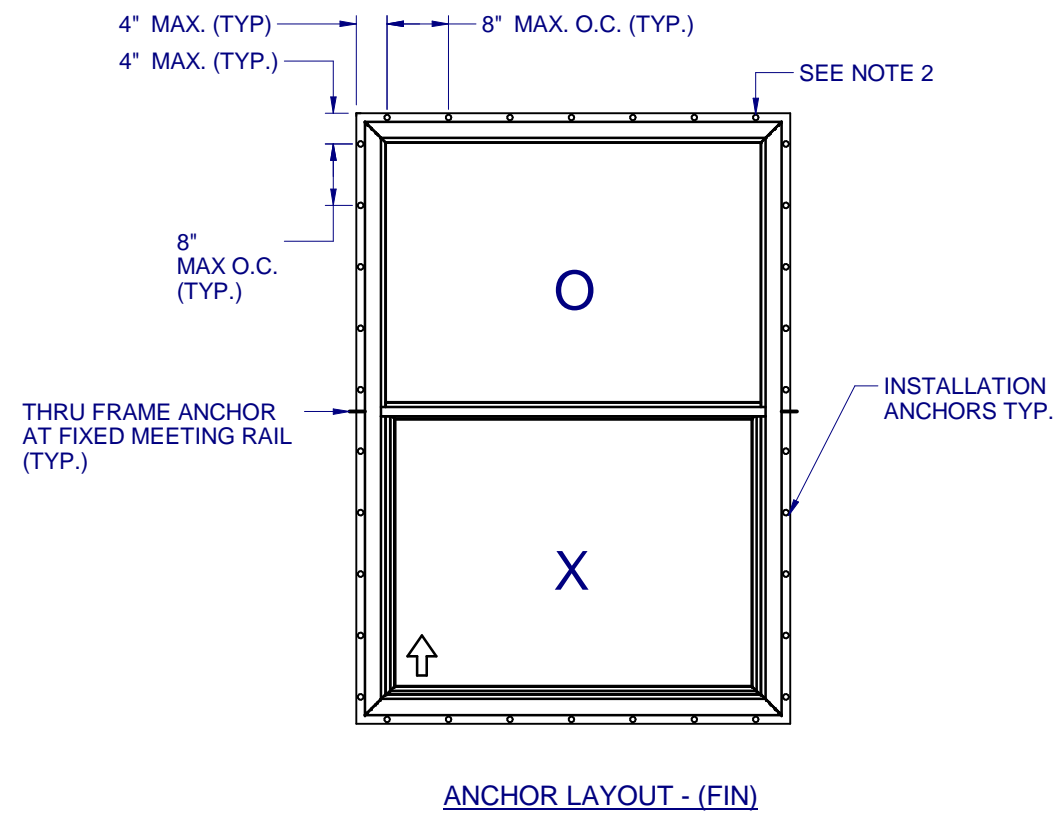
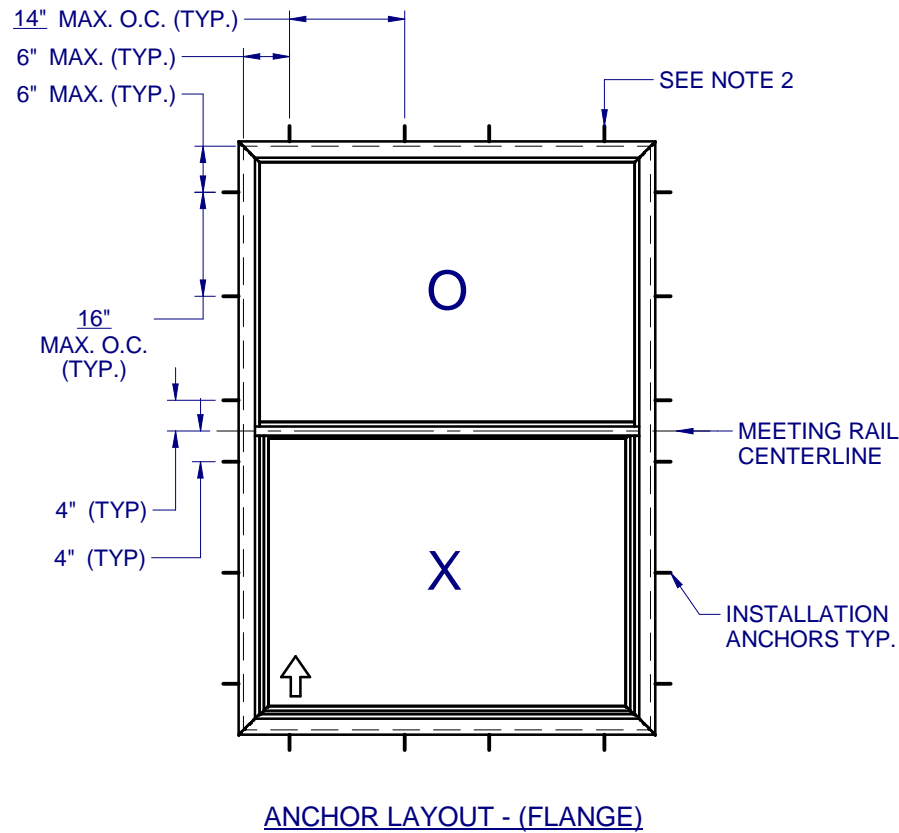
4091

LUCAS A. TURNER, P.E.
FL PE # 58201
Turner Engineering &
Consulting, Inc.
2428 Old Natchez Trc Trl
Camden, TN 38320
PH. 941-380-1574

SHEET DESCRIPTION:

**ANCHOR SCHEDULE AND
NOTES**

DRAWN BY:	DATE:
MCS	8/23/2023
DWG #:	REV.:
CWS-154	I
SCALE:	SHEET
1:25	5 OF 6



NOTES:

1. INSTALL ONE ANCHOR AT EACH INSTALLATION LOCATION. SILL ANCHOR SPACING SAME AS HEAD.
2. SHIM AS REQ AT EACH INSTALLATION ANCHOR USING LOAD BEARING SHIMS. MAX. ALLOWABLE SHIM STACK TO BE 1/4". USE SHIMS WHERE SPACE GREATER THAN 1/16" IS PRESENT. LOAD BEARING SHIMS SHALL BE CONSTRUCTED OF HIGH DENSITY PLASTIC OR BETTER. WOOD SHIMS ARE NOT ALLOWED.
3. ANCHOR TYPE, SIZE, SPACING AND EMBEDMENT SHALL BE AS SPECIFIED IN THESE DRAWINGS, SEE TABLE 1, SHEET 6.
4. ALL INSTALLATION ANCHORS MUST BE MADE OF OR PROTECTED WITH A CORROSION RESISTANT MATERIAL OR COATING. DISSIMILAR METALS OR MATERIALS IN CONTACT WITH PRESSURE TREATED WOOD MUST BE PROTECTED TO PREVENT REACTION.
5. INSTALLATION ANCHORS SHALL BE IN ACCORDANCE WITH ANCHOR MANUFACTURER'S INSTALLATION INSTRUCTIONS, AND ANCHORS SHALL NOT BE USED IN SUBSTRATES WITH STRENGTHS LESS THAN THE MINIMUM SPECIFIED IN TABLE 1, SHEET 6.
6. ANCHOR EMBEDMENT TO SUBSTRATE SHALL BE BEYOND WALL DRESSING OR STUCCO. FOR CONCRETE/CMU OPENINGS, EMBEDMENT SHALL BE BEYOND WOOD BUCKS, IF USED, INTO SUBSTRATE - 1X BUCKS ARE OPTIONAL.
7. A MINIMUM CENTER-TO-CENTER SPACING SHALL BE MAINTAINED BETWEEN ALL FASTENERS: 3" FOR MASONRY, 1" FOR WOOD AND METAL.
8. WOOD OR MASONRY OPENINGS, BUCKS AND BUCK FASTENERS SHALL BE PROPERLY DESIGNED BY THE ARCHITECT OR ENGINEER OF RECORD AND INSTALLED TO TRANSFER WIND LOADS TO THE STRUCTURE. SUBSTRATES SHALL MEET THE MINIMUM STRENGTH REQUIREMENTS AS SHOWN IN TABLE1, SHEET 6. CONCRETE AND MASONRY SUBSTRATES MAY NOT BE CRACKED.
9. SEALING AND FLASHING STRATEGIES FOR OVERALL WATER RESISTANCE OF INSTALLATION SHALL BE DONE BY OTHERS FOLLOWING THE CURRENT VERSION OF THE REFERENCE DOCUMENTS: FMA/AAMA 100(FIN WINDOWS), FMA/AAMA 200(FLANGE WINDOWS), FMA/WDMA 250(BOX WINDOWS), FMA/AAMA/WDMA 300(EXTERIOR DOORS)

8100 PVC SINGLE HUNG NON-IMPACT

PROPRIETARY AND CONFIDENTIAL
THE INFORMATION CONTAINED IN
THIS DRAWING IS THE SOLE
PROPERTY OF CUSTOM WINDOW
SYSTEMS, INC. ANY
REPRODUCTION IN PART OR AS A
WHOLE WITHOUT THE WRITTEN
PERMISSION OF CUSTOM WINDOW
SYSTEMS, INC IS PROHIBITED.

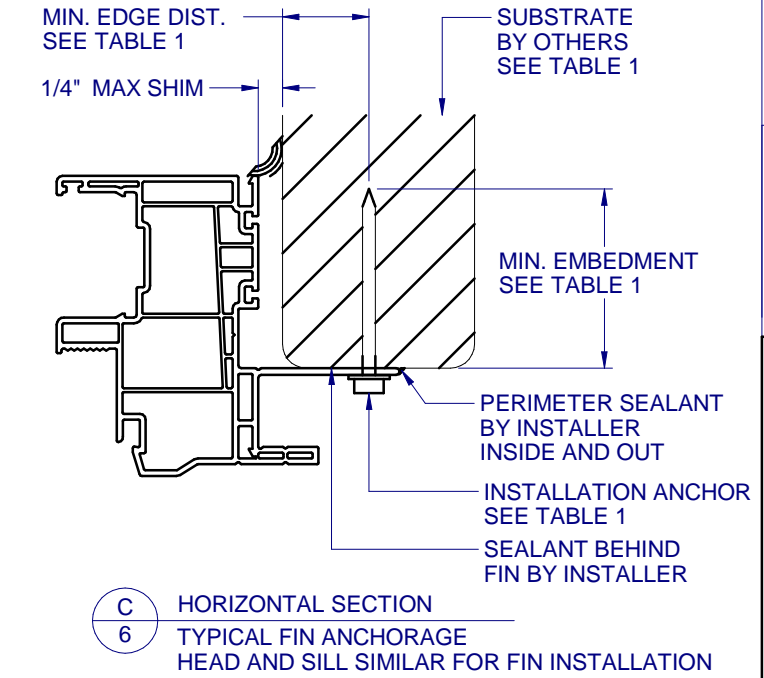
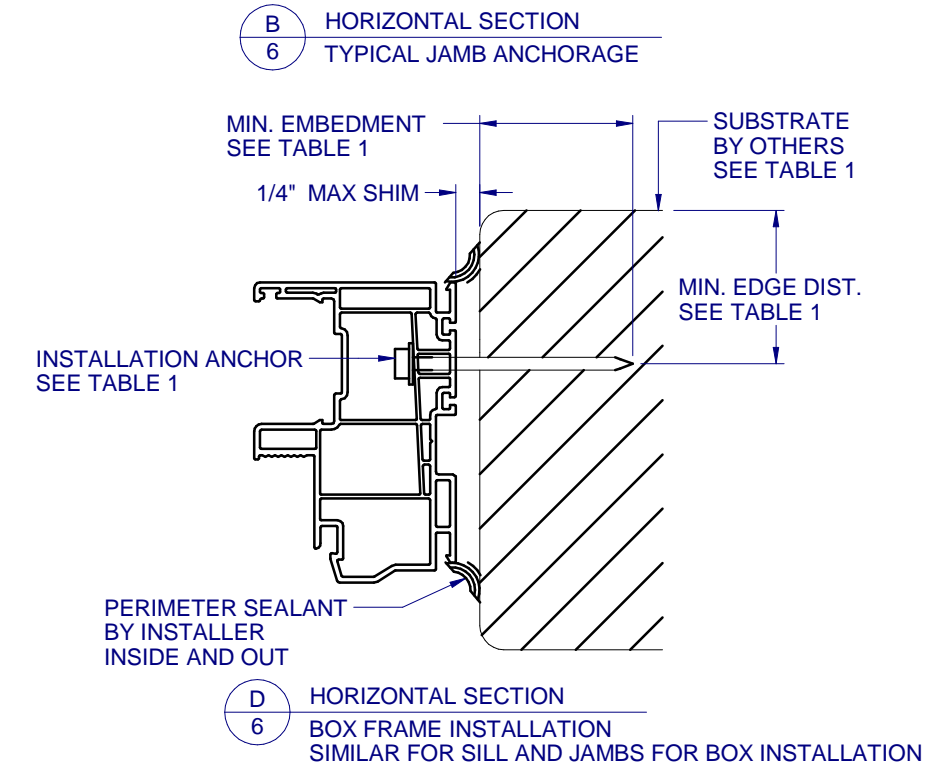
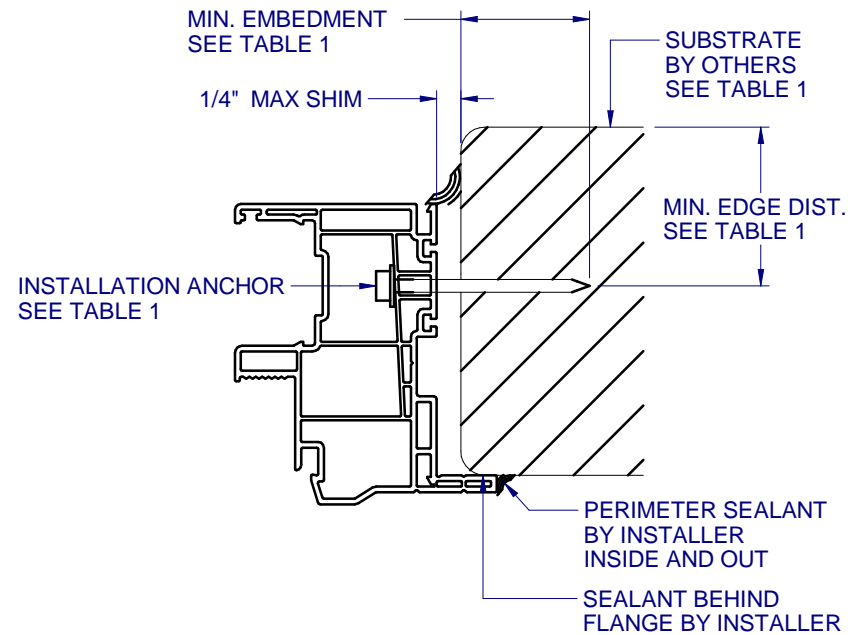
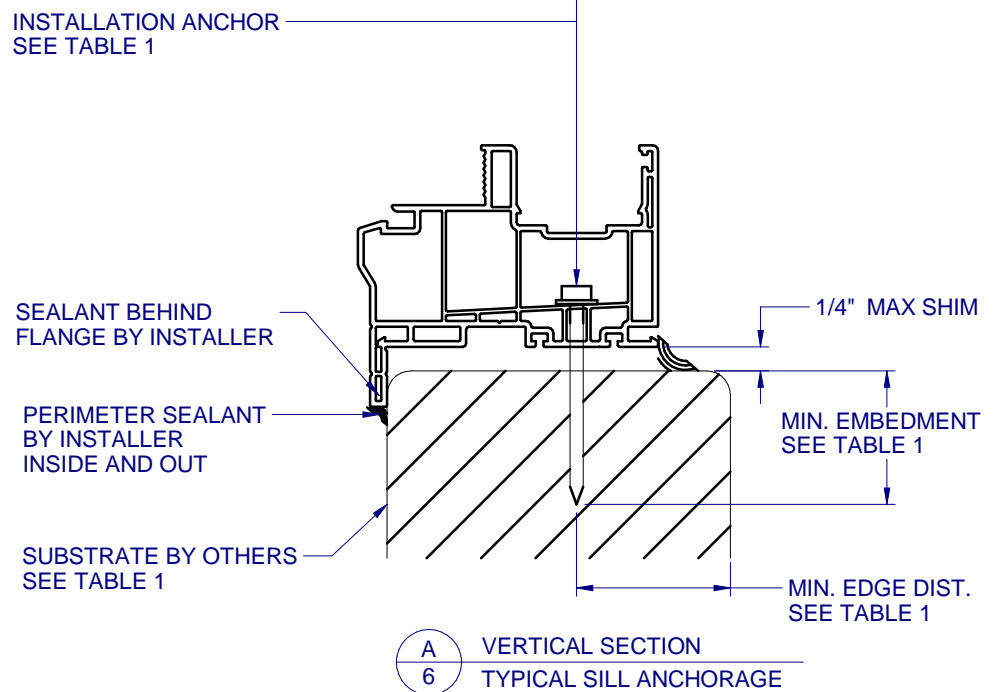
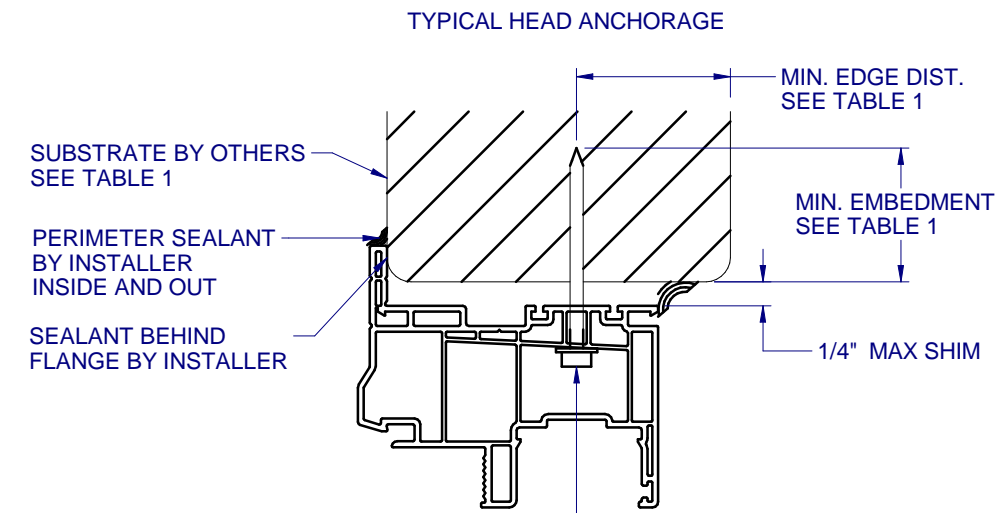
FLORIDA APPROVAL NO.:
4091

LUCAS A. TURNER, P.E.
FL PE # 58201
Turner Engineering &
Consulting, Inc.
2428 Old Natchez Trc Trl
Camden, TN 38320
PH. 941-380-1574

SHEET DESCRIPTION:

INSTALLATION DETAILS

DRAWN BY:	DATE:
MCS	8/23/2023
DWG #:	REV.:
CWS-154	I
SCALE:	SHEET
1:2	6 OF 6



FRAME TYPE	SUBSTRATE TYPE	ANCHOR TYPE	MIN. EMBEDMENT	MIN. EDGE DIST.
FLANGE	CONCRETE (2.0 KSI MIN.)	3/16" ITW TAPCON	1"	1-1/8"
FLANGE	HOLLOW OR GROUT-FILLED CMU (117 PCF MIN.)	3/16" ITW TAPCON	1"	2"
FLANGE	CONCRETE (3.05 KSI MIN.)	3/16" DEWALT ULTRACON+	1-3/4"	1"
FLANGE	HOLLOW OR GROUT-FILLED CMU (ASTM C-90)	3/16" DEWALT ULTRACON+	1-1/4"	2-1/2"
FLANGE	2X MIN. SOUTHERN PINE (G=0.55)	3/16" ITW TAPCON OR DEWALT ULTRACON+	1-3/8"	7/8"
FLANGE	2X MIN. SOUTHERN PINE (G=0.55)	#10 WOOD SCREW	1-3/8"	7/8"
FLANGE	16 GAUGE (0.060") MIN. STEEL STUD (33 KSI YIELD MIN)	#10-16 HILTI KWIK-FLEX OR ITW TEKS SELF-DRILLING SCREW	FULL THREAD THRU 0.060"	7/16"
FLANGE	1/8" ALUM. (6063-T5 MIN.) OR 1/8" STEEL (33 KSI MIN.)	#10 GRADE 5 SELF-TAPPING / DRILLING SCREW	FULL THREAD THRU 0.125"	7/16"
FIN	2X MIN. SOUTHERN PINE (G=0.55)	#10 WOOD SCREW	1-1/2"	1/2"

FLANGE REMOVAL NOTE: PARTIALLY OR FULLY REMOVING THE FLANGE, UP TO AND INCLUDING A BOX-FRAME APPLICATION IS ACCEPTABLE PROVIDED:

- MIN. 1/4" FILLET OF CONSTRUCTION-GRADE ADHESIVE CAULK IS APPLIED INSIDE AND OUT, FULL PERIMETER, BY INSTALLER.
- PRODUCT ANCHORAGE IS IN ACCORDANCE WITH REQUIREMENTS AS SHOWN FOR FLANGE WINDOWS.