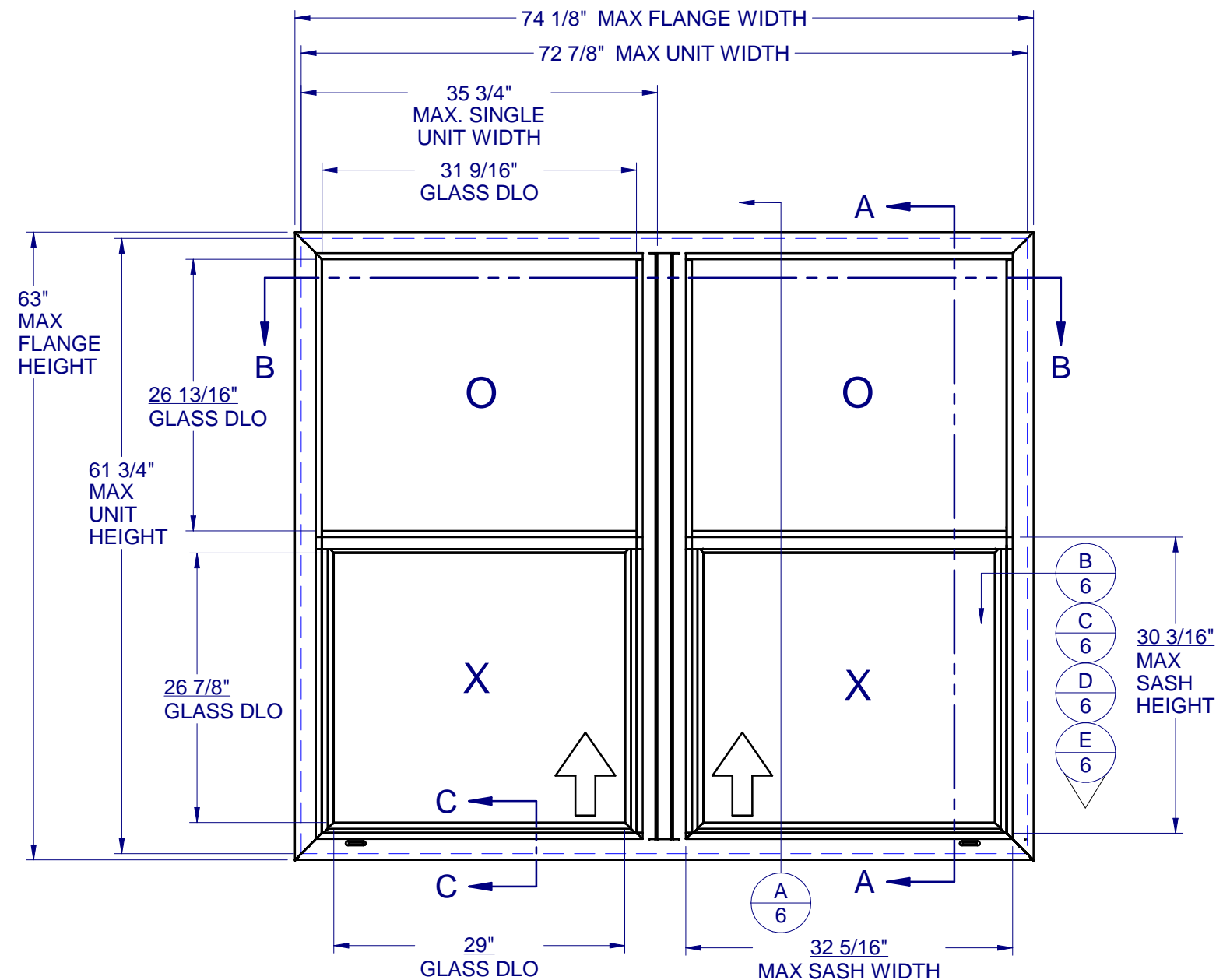


SINGLE HUNG - NON-IMPACT



GENERAL NOTES:

1. THE PRODUCT SHOWN HEREIN IS DESIGNED AND MANUFACTURED TO COMPLY WITH THE FLORIDA BUILDING CODE (FBC), CURRENT EDITION.
2. GLAZING OPTIONS: (SEE SHEET 2)
3. CONFIGURATIONS: "O/X" - "O/X".
4. DESIGN PRESSURE RATING (SEE SHEET 2):
 -NEGATIVE DESIGN LOADS BASED ON, TESTED PRESSURE AND GLASS TABLES ASTM E-1300-04e01/09.
 -POSITIVE DESIGN LOADS BASED ON, TESTED PRESSURE, WATER INFILTRATION TEST PRESSURE AND GLASS TABLES ASTM E-1300-04e01/09.
5. ANCHORAGE: THE 33 1/3% STRESS INCREASE HAS NOT BEEN USED IN THE DESIGN OF THIS PRODUCT. SEE SHEET 6 FOR ANCHOR DETAILS. WINDLOAD DURATION FACTOR $C_d=1.6$ WAS USED FOR WOOD ANCHOR CALCULATIONS.
6. NOT APPROVED FOR IMPACT RESISTANCE. IMPACT PROTECTIVE SYSTEM IS REQUIRED IN WIND BORNE DEBRIS REGION.
7. ALL FRAMES AND VENTS FULLY WELDED. SMALL JOINT SEAM SEALANT USED AT FIXED MEETING RAIL AND JAMB.
8. SERIES / MODEL DESIGNATION SH-8100.
9. THE DESIGNATION X AND O STAND FOR THE FOLLOWING:
 X = OPERABLE SASH, O = FIXED SASH
10. SECTION CALLOUTS APPLY TO ALL ELEVATIONS IN A SIMILAR LOCATION.
11. EXTERNAL WEEP SLOT = 1/2" x 2-1/2" LOCATED 4" FROM BOTH ENDS.



8100 PVC SINGLE HUNG NON-IMPACT

PROPRIETARY AND CONFIDENTIAL
 THE INFORMATION CONTAINED IN THIS DRAWING IS THE SOLE PROPERTY OF CUSTOM WINDOW SYSTEMS, INC. ANY REPRODUCTION IN PART OR AS A WHOLE WITHOUT THE WRITTEN PERMISSION OF CUSTOM WINDOW SYSTEMS, INC IS PROHIBITED.

FLORIDA APPROVAL NO.:

4091

LUCAS A. TURNER, P.E.
 FL PE # 58201
 Turner Engineering & Consulting, Inc.
 2428 Old Natchez Trc Trl
 Camden, TN 38320
 PH. 941-380-1574

SHEET DESCRIPTION:

GENERAL NOTES AND ELEVATIONS

DRAWN BY: MCS	DATE: 8/22/2023
DWG #: CWS-442	REV.: F
SCALE: 1:15	SHEET 1 OF 6

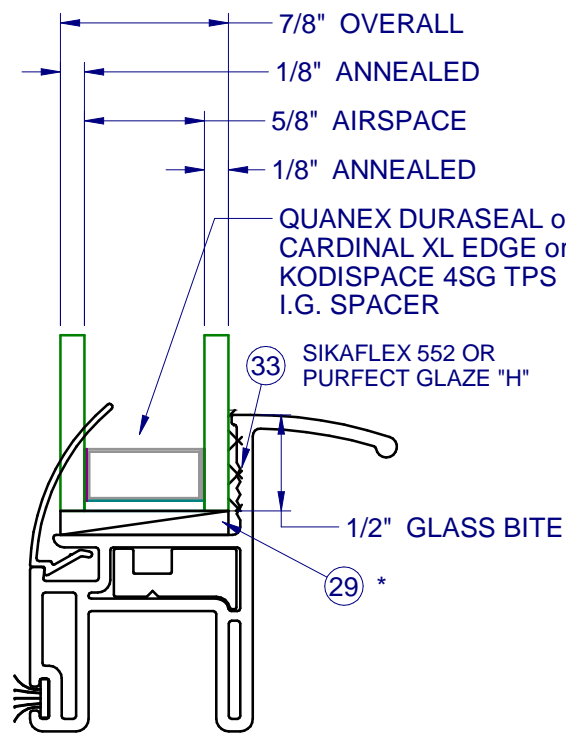
TABLE OF CONTENTS

GENERAL NOTES & ELEVATIONS.....	1
GLAZING DETAILS.....	2
SECTION VIEWS.....	3
BOM & EXTRUSIONS.....	4
ANCHOR SCHEDULE & NOTES.....	5
INSTALLATION DETAILS.....	6

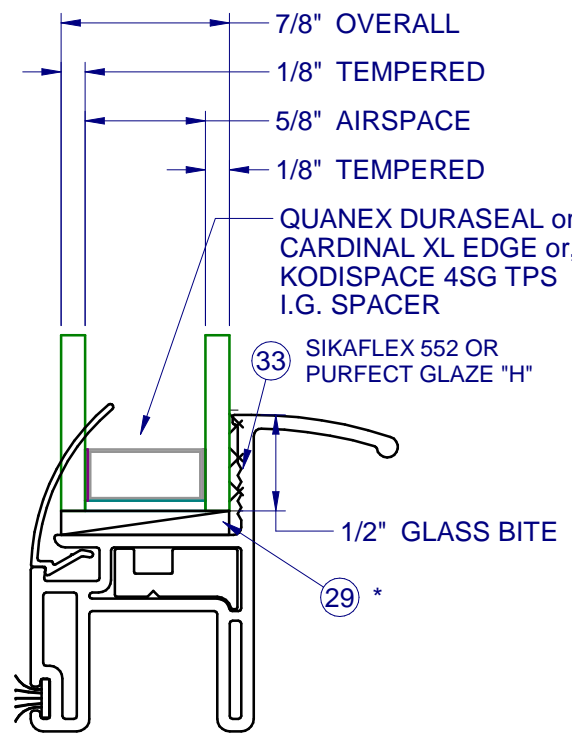
MAX. UNIT SIZE	DESIGN PRESSURE RATING	IMPACT RATING
72-7/8" x 61-3/4"	SEE COMPARATIVE ANALYSIS CHART, SHEET 2	NONE

DESIGN PRESSURES (PSF) WITH GLASS TYPES A, B, C, AND D

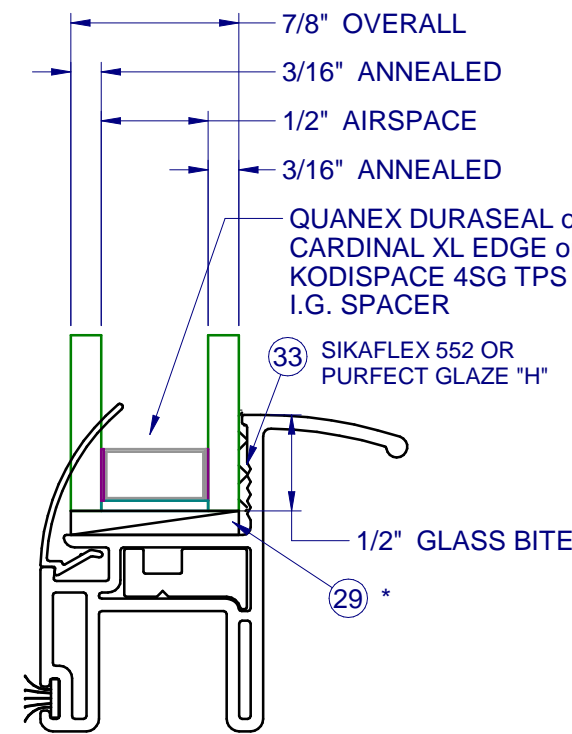
Unit Width	Unit Height							
	29.500	31.500	37.500	43.500	49.500	55.500	59.500	61.750
35.000	+67.5 / -105	+67.5 / -105	+67.5 / -105	+67.5 / -105	+67.5 / -105	+67.5 / -102.6	+67.5 / -93	+67.5 / -88.3
40.000	+67.5 / -105	+67.5 / -105	+67.5 / -105	+67.5 / -105	+67.5 / -105	+67.5 / -95.5	+67.5 / -86	+67.5 / -81.4
45.000	+67.5 / -105	+67.5 / -105	+67.5 / -105	+67.5 / -105	+67.5 / -105	+67.5 / -90.8	+67.5 / -81.2	+67.5 / -76.6
50.000	+67.5 / -105	+67.5 / -105	+67.5 / -105	+67.5 / -105	+67.5 / -105	+67.5 / -88	+67.5 / -78	+67.5 / -73.3
55.000	+67.5 / -105	+67.5 / -105	+67.5 / -105	+67.5 / -105	+67.5 / -105	+67.5 / -86.8	+67.5 / -76.1	+67.5 / -71.2
60.000	+67.5 / -105	+67.5 / -105	+67.5 / -105	+67.5 / -105	+67.5 / -104.7	+67.5 / -86.7	+67.5 / -75.4	+67.5 / -70.2
65.000	+67.5 / -105	+67.5 / -105	+67.5 / -104.4	+67.5 / -96.4	+67.5 / -91.3	+67.5 / -86.7	+67.5 / -75.4	+67.5 / -70
70.000	+67.5 / -105	+67.5 / -105	+67.5 / -93.9	+67.5 / -86.1	+67.5 / -80.9	+67.5 / -77.4	+67.5 / -75.4	+67.5 / -70
72.875	+67.5 / -104.9	+67.5 / -100	+67.5 / -88.8	+67.5 / -81.1	+67.5 / -75.9	+67.5 / -72.3	+67.5 / -70.7	+67.5 / -70



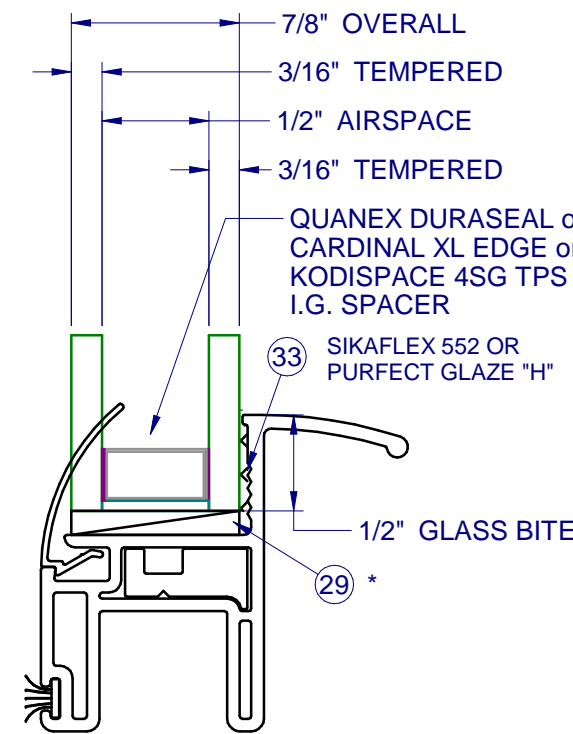
GLASS TYPE A



GLASS TYPE B



GLASS TYPE C



GLASS TYPE D



NOTE: IF SIZE INTENDED IS NOT SHOWN, USE NEXT LARGER SIZE.

**8100 PVC
SINGLE HUNG
NON-IMPACT**

PROPRIETARY AND CONFIDENTIAL
THE INFORMATION CONTAINED IN
THIS DRAWING IS THE SOLE
PROPERTY OF CUSTOM WINDOW
SYSTEMS, INC. ANY
REPRODUCTION IN PART OR AS A
WHOLE WITHOUT THE WRITTEN
PERMISSION OF CUSTOM WINDOW
SYSTEMS, INC IS PROHIBITED.

FLORIDA APPROVAL NO.:
4091

LUCAS A. TURNER, P.E.
FL PE # 58201
Turner Engineering &
Consulting, Inc.
2428 Old Natchez Trc Trl
Camden, TN 38320
PH. 941-380-1574

SHEET DESCRIPTION:

GLAZING DETAIL

DRAWN BY: MCS	DATE: 8/22/2023
DWG #: CWS-442	REV.: F
SCALE: 1:1	SHEET 2 OF 6



1900 SW 44TH AVE.
 Ocala, Florida 34474
 WWW.CWS.CC

**8100 PVC
 SINGLE HUNG
 NON-IMPACT**

PROPRIETARY AND CONFIDENTIAL
 THE INFORMATION CONTAINED IN
 THIS DRAWING IS THE SOLE
 PROPERTY OF CUSTOM WINDOW
 SYSTEMS, INC. ANY
 REPRODUCTION IN PART OR AS A
 WHOLE WITHOUT THE WRITTEN
 PERMISSION OF CUSTOM WINDOW
 SYSTEMS, INC IS PROHIBITED.

FLORIDA APPROVAL NO.:

4091

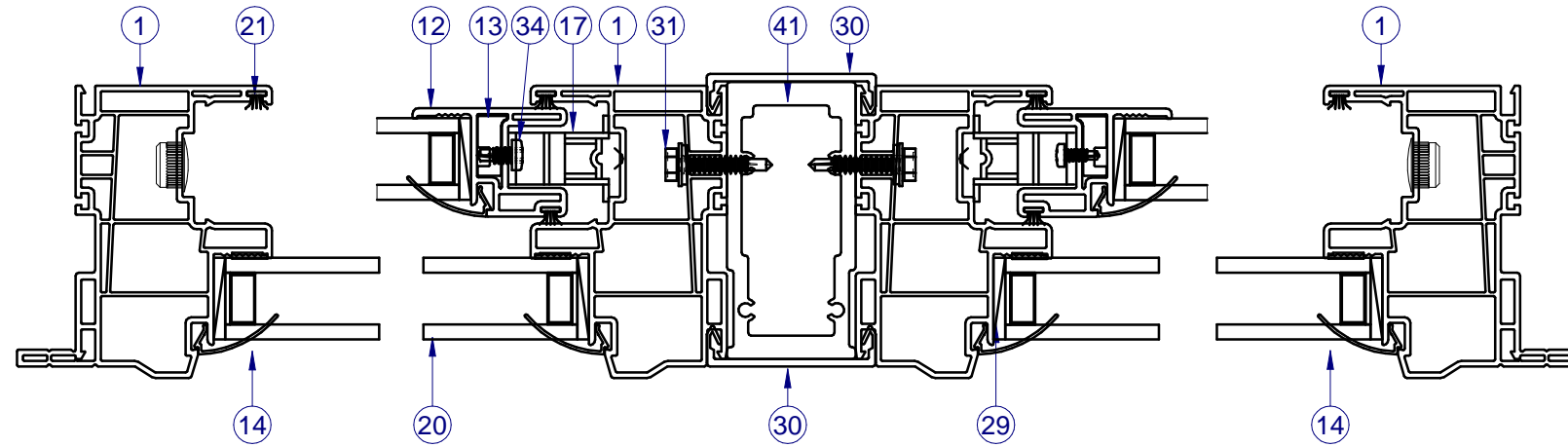
LUCAS A. TURNER, P.E.
 FL PE # 58201
 Turner Engineering &
 Consulting, Inc.
 2428 Old Natchez Trc Trl
 Camden, TN 38320
 PH. 941-380-1574

SHEET DESCRIPTION:

SECTION VIEWS

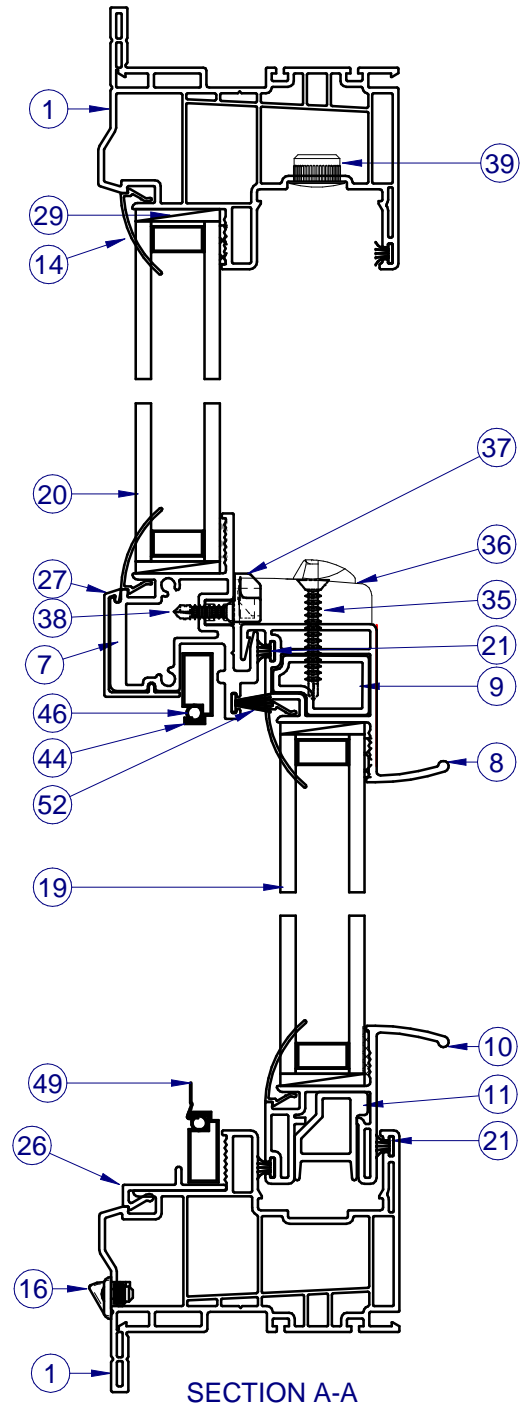
DRAWN BY:	DATE:
MCS	8/22/2023
DWG #:	REV.:
CWS-442	F
SCALE:	SHEET
1:2	3 OF 6

INTERIOR

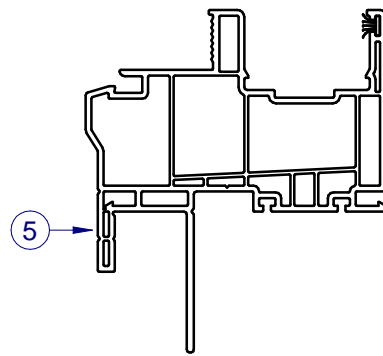


SECTION B-B

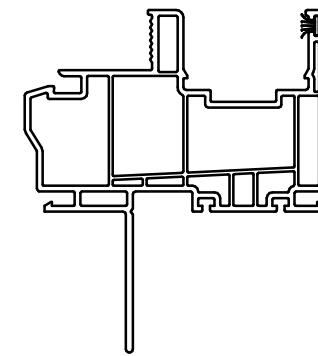
INTERIOR



SECTION A-A



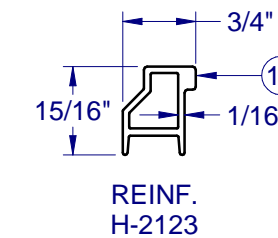
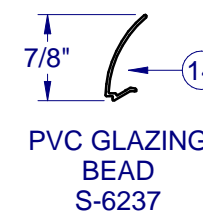
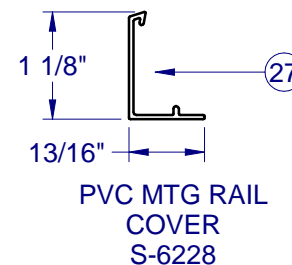
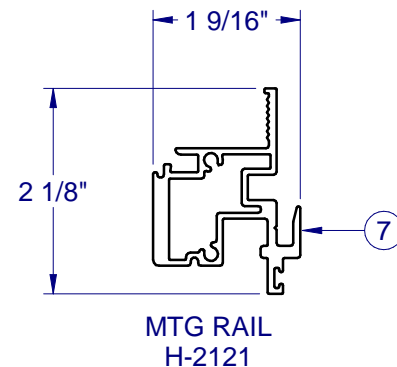
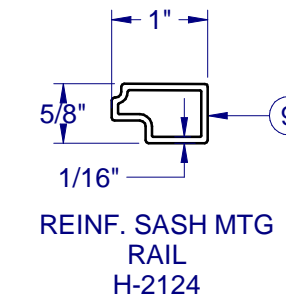
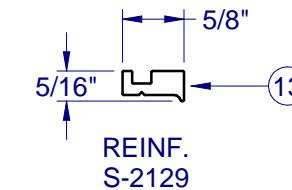
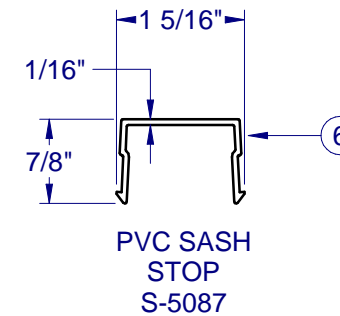
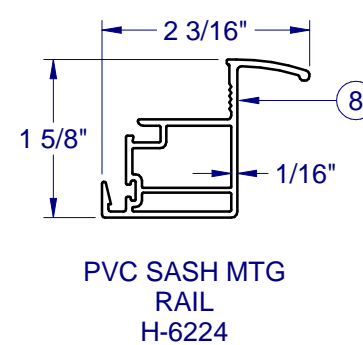
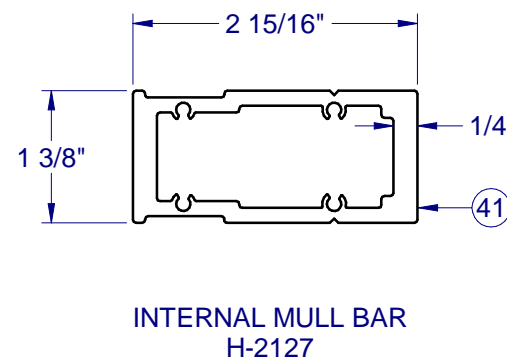
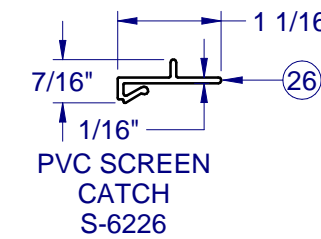
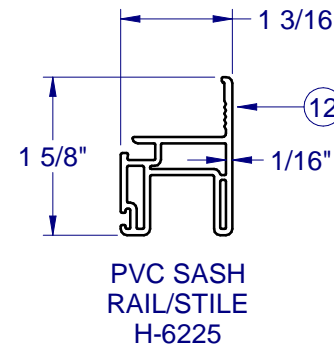
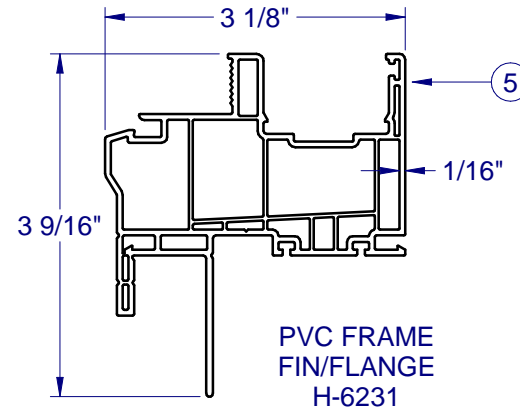
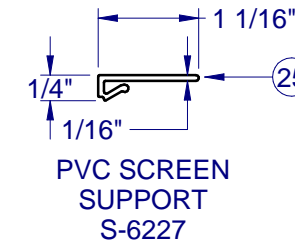
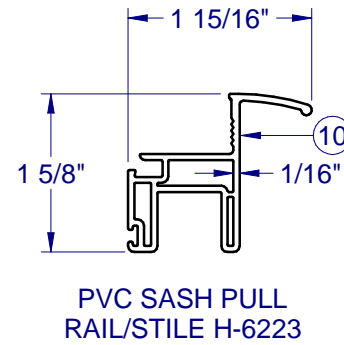
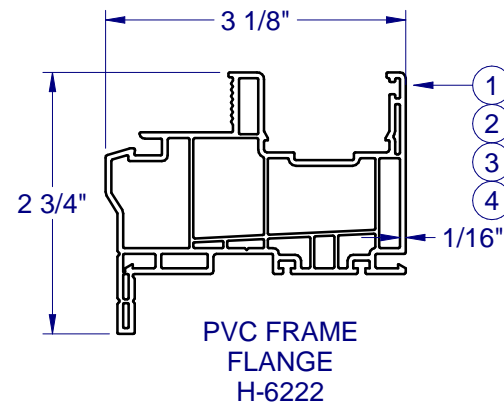
SECTION C-C
 ALTERNATE FIN FRAME



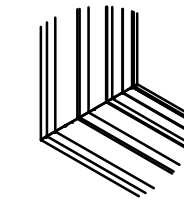
SECTION C-C
 ALTERNATE FIN ONLY FRAME

NOTE: ITEMS NOT SHOWN FOR CLARITY:
 6, 18, 32

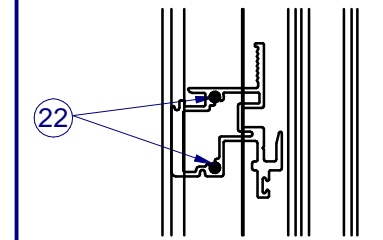
PARTS LIST			
ITEM	PART #	DESCRIPTION	MATERIAL
1	H-6222	Main Frame, Flg	PVC
5	H-6231	Frame, Fin	PVC
6	S-5087	Sash Stop / Filler	PVC
7	H-2121	Alum. Fixed Meet. Rail	Alum
8	H-6224	Sash Top Rail	PVC
9	H-2124	Reinforcement for STR	Alum
10	H-6223	Sash Bottom Rail	PVC
11	H-2123	Reinforcement for SBR	Alum
12	H-6225	Sash Side Rail	PVC
13	S-2129	Reinforcement for SSR	Alum
14	S-6237	Glazing Bead	PVC
15	P-4056	Sash Cam	Plastic
16	P-4479	Weep Housing & Flap Assm.	Plastic
17		Sash Balance	
18	P-3295	Take Out Clip	SS
19		Glass, Sash (See Sheet 2)	
20		Glass, Fixed (See Sheet 2)	
21	P-3305	Wstp., .270 x .187 High Density	
22	P-4638	#8 x 2-1/2 Ph Mod. Truss, Type A, Tek 2	Steel
23		#10 x 1 1/2" Panhead SMS	Steel
25	S-6227	Screen Adaptor, Jamb	PVC
26	S-6226	Screen Adaptor, Sill	PVC
27	S-6228	Fixed Rail Cover	PVC
29	P-5612	Setting Block, .12 x 1 x 2	Rubber
30	S-6018	Mullbar Cover	PVC
31	P-3767	#10 x 1 Hex Head Tek	Steel
32	P-3342	Seam Sealer, SM-5504	
33		SikaFlex 552 or Purfect Glaze "H"	
34	P-3541	#8 x 1/2 Flat Tek	Steel
35	P-4051	#8 x 1 1/4" PH Flat Tek	Steel
36	P-3783	Lock, Impact	
37	P-4069	Keeper, Impact	Zamac
38	P-3539	#8 x 3/4" PH Flat w/ #6 Head	Steel
39	P-5588	Hole Plug	Nylon
41	H-2127	Internal Mullbar	Alum
42	P-3114	#8 x 2 Phil Truss	Steel
44	P-3218	Screen frame	Alum
45	P-4754	Screen Corner Key	Plastic
46	P-5576	Screen Spline, .125" Black PE Ribbed	PVC
47	P-3195	Screen Spring	SS
48	P-4755	SCREEN CORNER KEY	Alum
49	P-4770	30" BetterVue Insect Screen, 18x16	Fiberglass
52	P-4959	Wstp., 0.420 x 0.187 back	



FRAME CORNER CONSTRUCTION



CORNER WELD (ALL SIDES) 1:8



FIXED MEETING RAIL SCREWED TOGETHER WITH OUTERFRAME 1:8

1900 SW 44TH AVE.
OCALA, FLORIDA 34474
WWW.CWS.CC

8100 PVC SINGLE HUNG NON-IMPACT

PROPRIETARY AND CONFIDENTIAL
THE INFORMATION CONTAINED IN THIS DRAWING IS THE SOLE PROPERTY OF CUSTOM WINDOW SYSTEMS, INC. ANY REPRODUCTION IN PART OR AS A WHOLE WITHOUT THE WRITTEN PERMISSION OF CUSTOM WINDOW SYSTEMS, INC IS PROHIBITED.

FLORIDA APPROVAL NO.: 4091

LUCAS A. TURNER, P.E.
FL PE # 58201
Turner Engineering & Consulting, Inc.
2428 Old Natchez Trc Trl
Camden, TN 38320
PH. 941-380-1574

SHEET DESCRIPTION:

BOM AND EXTRUSIONS

DRAWN BY:	DATE:
MCS	8/22/2023
DWG #:	REV.:
CWS-442	F
SCALE:	SHEET
1:2	4 OF 6

LINE ITEMS NOT USED:
50-51

NOTE: ALL ALUMINUM EXTRUSIONS ARE 6063-T6 UNLESS OTHERWISE NOTED.

**8100 PVC
SINGLE HUNG
NON-IMPACT**

PROPRIETARY AND CONFIDENTIAL
THE INFORMATION CONTAINED IN
THIS DRAWING IS THE SOLE
PROPERTY OF CUSTOM WINDOW
SYSTEMS, INC. ANY
REPRODUCTION IN PART OR AS A
WHOLE WITHOUT THE WRITTEN
PERMISSION OF CUSTOM WINDOW
SYSTEMS, INC IS PROHIBITED.

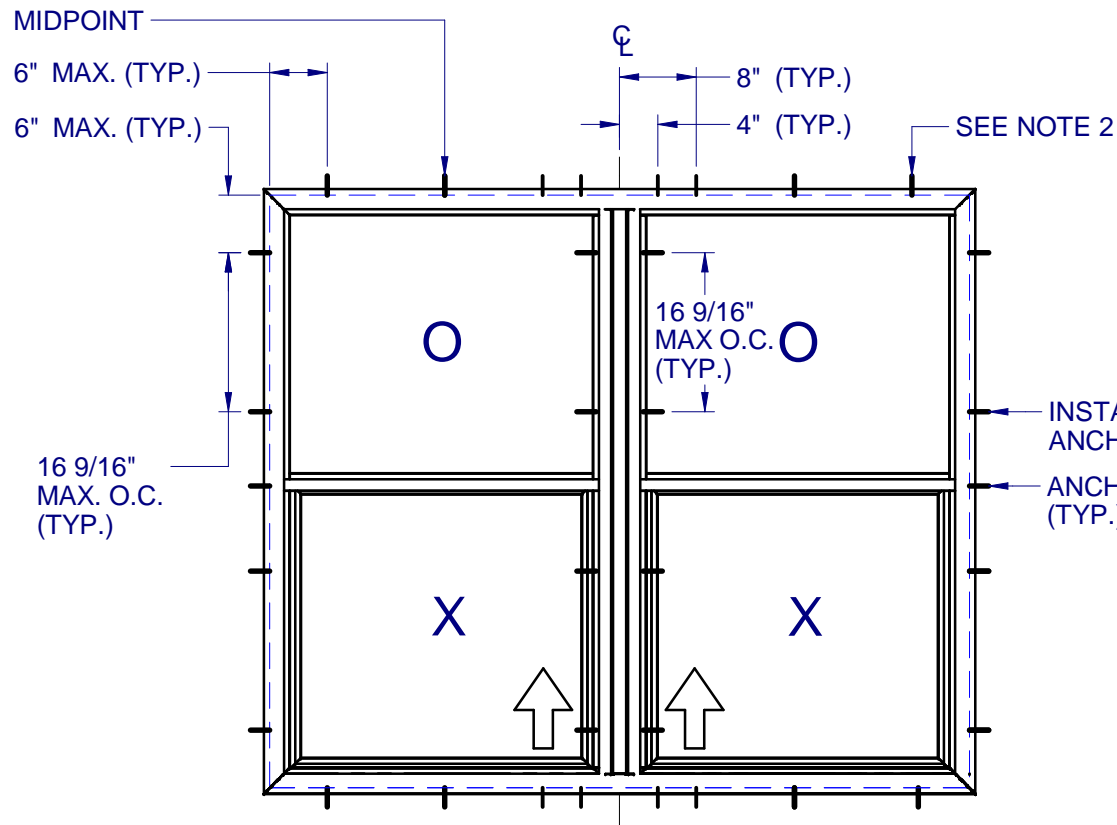
FLORIDA APPROVAL NO.:
4091

LUCAS A. TURNER, P.E.
FL PE # 58201
Turner Engineering &
Consulting, Inc.
2428 Old Natchez Trc Trl
Camden, TN 38320
PH. 941-380-1574

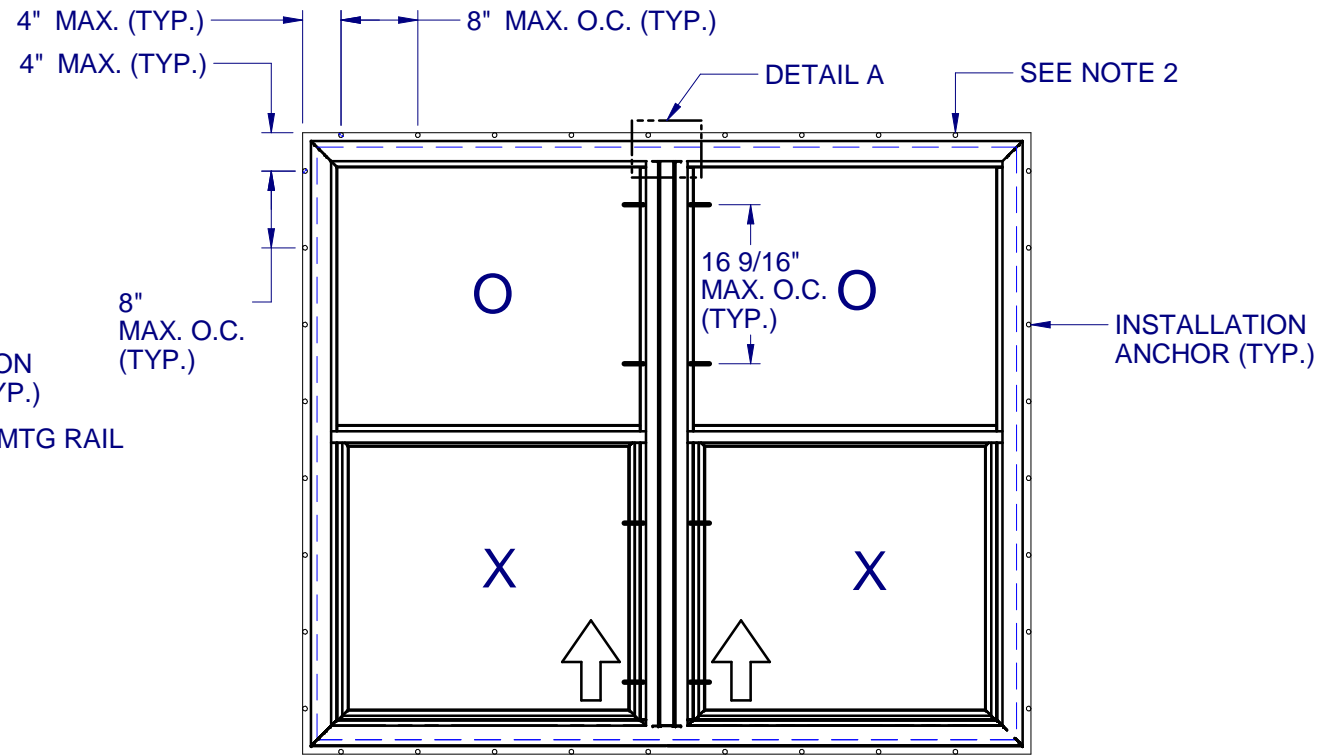
SHEET DESCRIPTION:

**ANCHOR SCHEDULE AND
NOTES**

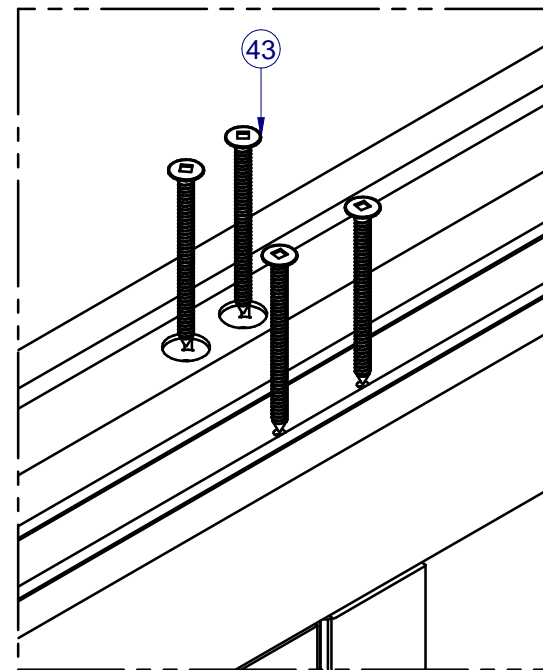
DRAWN BY: MCS	DATE: 8/22/2023
DWG #: CWS-442	REV.: F
SCALE: 1:20	SHEET 5 OF 6



ANCHOR LAYOUT - (FLANGE)



ANCHOR LAYOUT - (FIN)



DETAIL A
INTERNAL MULL ATTACHMENT

NOTES:

1. INSTALL ONE ANCHOR AT EACH INSTALLATION LOCATION. SILL ANCHOR SPACING SAME AS HEAD. SEAL CORNERS AND INTERNAL MULL WITH SMALL JOINT SEAM SEALANT.
2. SHIM AS REQ AT EACH INSTALLATION ANCHOR USING LOAD BEARING SHIMS. MAX. ALLOWABLE SHIM STACK TO BE 1/4". USE SHIMS WHERE SPACE GREATER THAN 1/16" IS PRESENT. LOAD BEARING SHIMS SHALL BE CONSTRUCTED OF HIGH DENSITY PLASTIC OR BETTER. WOOD SHIMS ARE NOT ALLOWED.
3. ANCHOR TYPE, SIZE, SPACING AND EMBEDMENT SHALL BE AS SPECIFIED IN THESE DRAWINGS, SEE TABLE 1, SHEET 6.
4. ALL INSTALLATION ANCHORS MUST BE MADE OF OR PROTECTED WITH A CORROSION RESISTANT MATERIAL OR COATING. DISSIMILAR METALS OR MATERIALS IN CONTACT WITH PRESSURE TREATED WOOD MUST BE PROTECTED TO PREVENT REACTION.
5. INSTALLATION ANCHORS SHALL BE IN ACCORDANCE WITH ANCHOR MANUFACTURER'S INSTALLATION INSTRUCTIONS, AND ANCHORS SHALL NOT BE USED IN SUBSTRATES WITH STRENGTHS LESS THAN THE MINIMUM SPECIFIED IN TABLE 1, SHEET 6.
6. ANCHOR EMBEDMENT TO SUBSTRATE SHALL BE BEYOND WALL DRESSING OR STUCCO. FOR CONCRETE/CMU OPENINGS, EMBEDMENT SHALL BE BEYOND WOOD BUCKS, IF USED, INTO SUBSTRATE - 1X BUCKS ARE OPTIONAL.
7. A MINIMUM CENTER-TO-CENTER SPACING SHALL BE MAINTAINED BETWEEN ALL FASTENERS: 3" FOR MASONRY, 1" FOR WOOD AND METAL.
8. WOOD OR MASONRY OPENINGS, BUCKS AND BUCK FASTENERS SHALL BE PROPERLY DESIGNED BY THE ARCHITECT OR ENGINEER OF RECORD AND INSTALLED TO TRANSFER WIND LOADS TO THE STRUCTURE. SUBSTRATES SHALL MEET THE MINIMUM STRENGTH REQUIREMENTS AS SHOWN IN TABLE 1, SHEET 6. CONCRETE AND MASONRY SUBSTRATES MAY NOT BE CRACKED.
9. SEALING AND FLASHING STRATEGIES FOR OVERALL WATER RESISTANCE OF INSTALLATION SHALL BE DONE BY OTHERS FOLLOWING THE CURRENT VERSION OF THE REFERENCE DOCUMENTS:
FMA/AAMA 100(FIN WINDOWS), FMA/AAMA 200(FLANGE WINDOWS), FMA/WDMA 250(BOX WINDOWS), FMA/AAMA/WDMA 300(EXTERIOR DOORS)

**8100 PVC
SINGLE HUNG
NON-IMPACT**

PROPRIETARY AND CONFIDENTIAL
THE INFORMATION CONTAINED IN THIS DRAWING IS THE SOLE PROPERTY OF CUSTOM WINDOW SYSTEMS, INC. ANY REPRODUCTION IN PART OR AS A WHOLE WITHOUT THE WRITTEN PERMISSION OF CUSTOM WINDOW SYSTEMS, INC IS PROHIBITED.

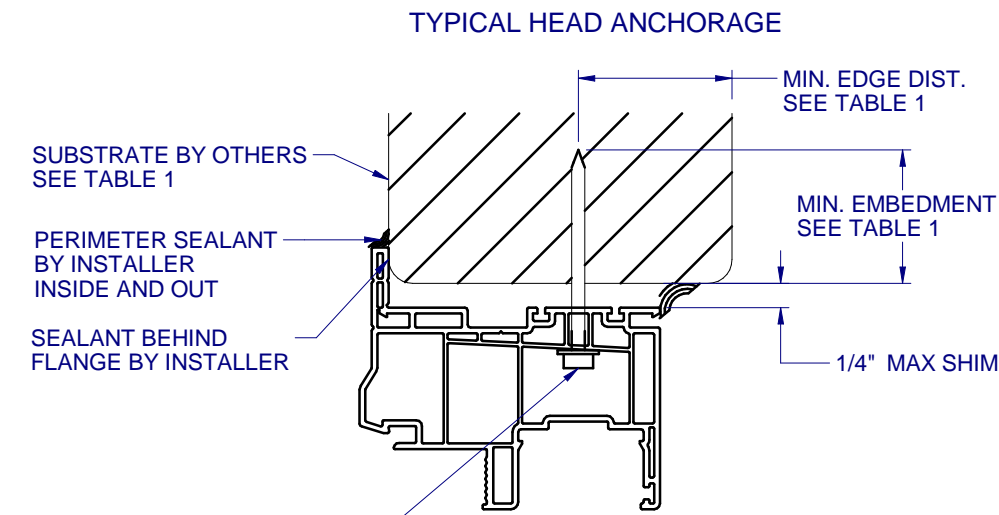
FLORIDA APPROVAL NO.:
4091

LUCAS A. TURNER, P.E.
FL PE # 58201
Turner Engineering & Consulting, Inc.
2428 Old Natchez Trc Trl
Camden, TN 38320
PH. 941-380-1574

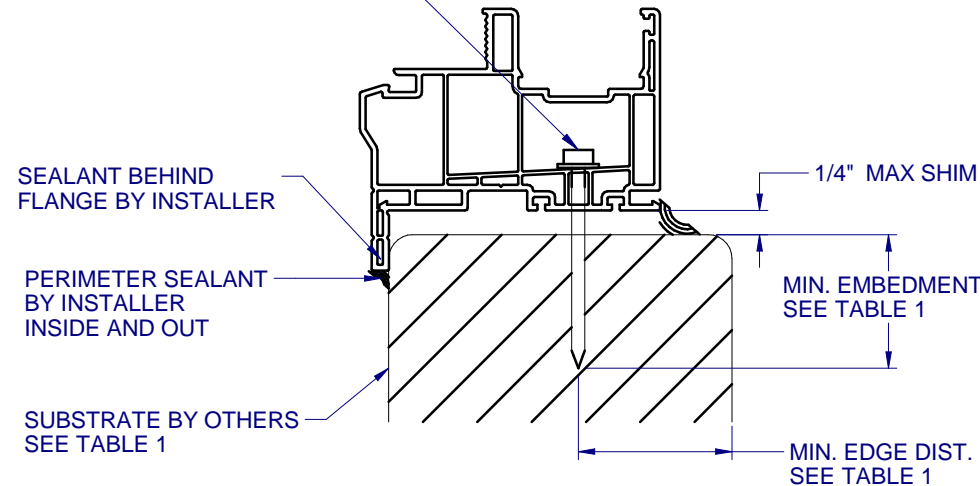
SHEET DESCRIPTION:

INSTALLATION DETAILS

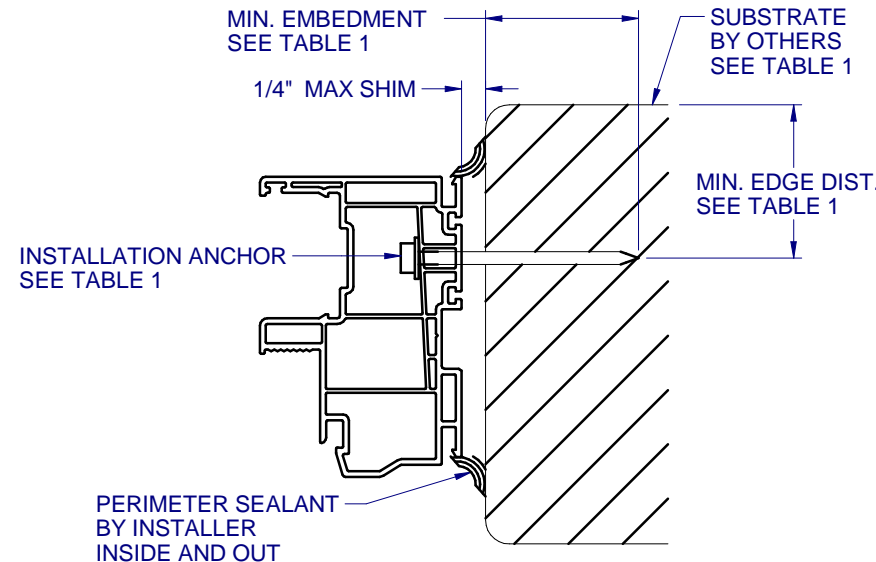
DRAWN BY:	DATE:
MCS	8/22/2023
DWG #:	REV.:
CWS-442	F
SCALE:	SHEET
1:2	6 OF 6



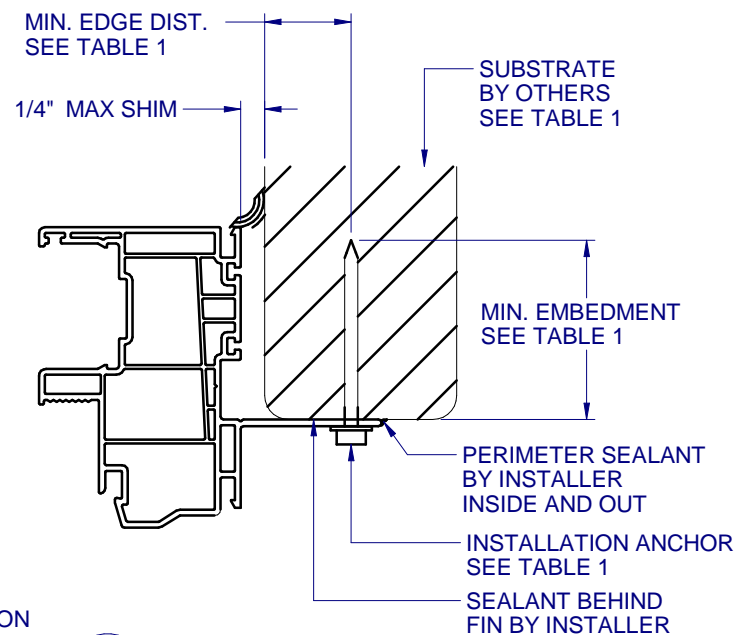
A
6
VERTICAL SECTION
TYPICAL SILL ANCHORAGE



B
6
HORIZONTAL SECTION
TYPICAL JAMB ANCHORAGE



C
6
HORIZONTAL SECTION
TYPICAL FIN ANCHORAGE
HEAD AND SILL SIMILAR FOR FIN INSTALLATION



D
6
HORIZONTAL SECTION
BOX FRAME INSTALLATION
SIMILAR FOR SILL AND JAMBS FOR BOX INSTALLATION

E
6
HORIZONTAL SECTION
TYPICAL FIN ANCHORAGE
HEAD AND SILL SIMILAR FOR FIN INSTALLATION

TABLE 1: APPROVED INSTALLATION FASTENERS

FRAME TYPE	SUBSTRATE TYPE	ANCHOR TYPE	MIN. EMBEDMENT	MIN. EDGE DIST.
FLANGE	CONCRETE (2.0 KSI MIN.)	3/16" ITW TAPCON	1"	1-1/8"
FLANGE	HOLLOW OR GROUT-FILLED CMU (117 PCF MIN.)	3/16" ITW TAPCON	1"	2"
FLANGE	CONCRETE (3.05 KSI MIN.)	3/16" DEWALT ULTRACON+	1-3/4"	1"
FLANGE	HOLLOW OR GROUT-FILLED CMU (ASTM C-90)	3/16" DEWALT ULTRACON+	1-1/4"	2-1/2"
FLANGE	2X MIN. SOUTHERN PINE (G=0.55)	3/16" ITW TAPCON OR DEWALT ULTRACON+	1-3/8"	7/8"
FLANGE	2X MIN. SOUTHERN PINE (G=0.55)	#10 WOOD SCREW	1-3/8"	7/8"
FLANGE	16 GAUGE (0.060") MIN. STEEL STUD (33 KSI YIELD MIN)	#10-16 HILTI KWIK-FLEX OR ITW TEKS SELF-DRILLING SCREW	FULL THREAD THRU 0.060"	7/16"
FLANGE	1/8" ALUM. (6063-T5 MIN.) OR 1/8" STEEL (33 KSI MIN.)	#10 GRADE 5 SELF-TAPPING / DRILLING SCREW	FULL THREAD THRU 0.125"	7/16"
FIN	2X MIN. SOUTHERN PINE (G=0.55)	#8 WOOD SCREW	1-1/2"	7/16"

FLANGE REMOVAL NOTE: PARTIALLY OR FULLY REMOVING THE FLANGE, UP TO AND INCLUDING A BOX-FRAME APPLICATION IS ACCEPTABLE PROVIDED:

- MIN. 1/4" FILLET OF CONSTRUCTION-GRADE ADHESIVE CAULK IS APPLIED INSIDE AND OUT, FULL PERIMETER, BY INSTALLER.
- PRODUCT ANCHORAGE IS IN ACCORDANCE WITH REQUIREMENTS AS SHOWN FOR FLANGE WINDOWS.